

2016

FLEX AND FLEX WALKER

OPERATORS MANUAL

KEGEL LLC
1951 Longleaf Blvd.
Lake Wales, FL 33859
863-734-0200 | 800-280-2695

CHAPTER 7

Miscellaneous Parts

Stickers and Decals



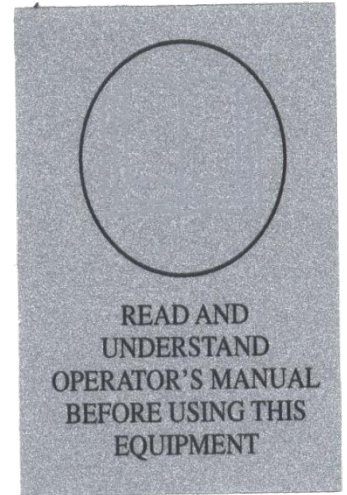
153-0037



154-0272



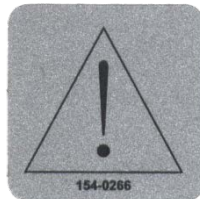
154-0274



158-0207



154-0297



154-0266



154-0269



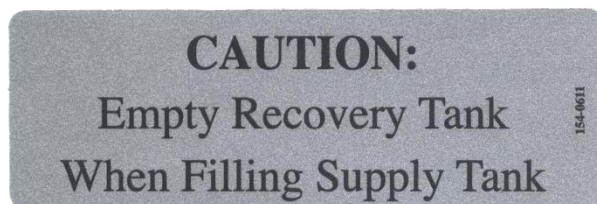
154-0647



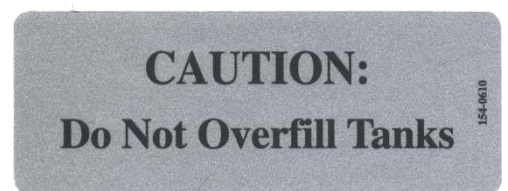
154-0648



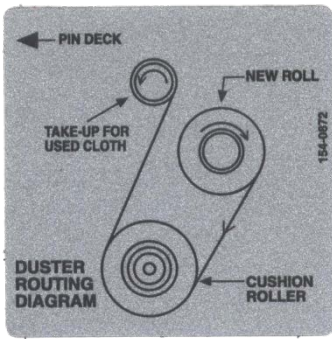
164-0013



154-0611



154-0610



154-0872

WARNING: To reduce the risk of fire, use only commercially available bowling lane cleaners and conditioners intended for machine application.

154-0262



CAUTION: Moving Parts - To Reduce The Risk Of Injury, Unplug Before Servicing.

154-0265



154-0270

HEAD DRIVE

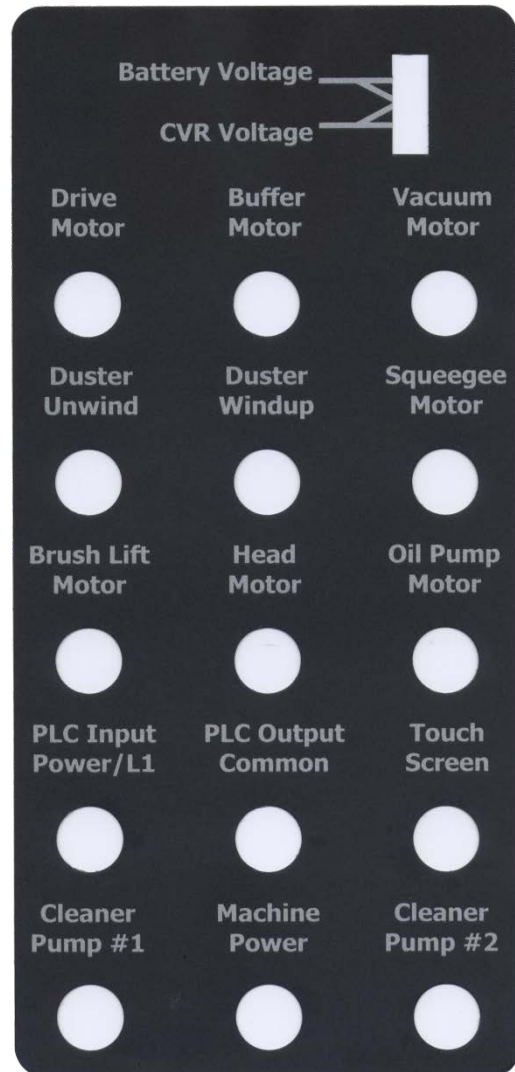
153-0850

OIL PUMP

153-0849

Main Drive Speed Control

158-0606



164-0005

FLE

164-0007

FLE

164-0008



164-0009



164-0014



164-0016



164-0015



164-0017

Fittings



Elbow-
1/4" Tube x 1/4" Tube
154-0243



Elbow-
3/8" Tube x 3/8" Tube
154-0256



Elbow-
3/8" NPT x 1/4" Tube - 154-0225
3/8" NPT x 3/8" Tube - 154-0223



Elbow-
1/4" Stem x 1/4" Tube
154-0222



Elbow-
3/8" Stem x 3/8" Tube
154-0258



Elbow-
1/4" Stem x 1/4" Hose Barb
154-0226



Elbow-
3/8" Stem x 5/16" Hose Barb
154-0227



Reducing Union-
1/4" x 3/16" - 154-0248



Union-
1/4" x 1/4" - 154-0241



Male Lure-
1/8" Hose Barb - 154-0863



Female Connector-
1/4" Tube x 1/8" FPT - 154-0257



Male Swivel Elbow-
1/4 Tube x 1/4 NPT
153-0818

CHAPTER 8

Mechanical Drawings

Battery and Chargers	161
Flex Lid and Cover Assembly	162
Flex Panel Exploded View	164
Flex Top View	166
Flex Bottom View	168
Flex Left Side View	170
Flex Right Side View	172
Flex LDS Assembly	174
Flex Front Handle Assembly	176
Flex Handle Assembly	178
Flex Walker Lid and Cover Assembly	180
Flex Walker Panel Exploded View	182
Flex Walker Top View	184
Flex Walker Bottom View	186
Flex Walker Left Side View	188
Flex Walker Right Side View	190
Flex Walker LDS Assembly	192
Flex Walker Front Handle Assembly	194
Flex Walker Whisker Assembly	196
PLC Plate Assembly	198
Oil Valve Assembly	200
Sub Tank Cartridge Assembly	202
Oil Head Assembly	204
Oil Transfer Assembly	206
Brush Lift Rod Assembly	208
Cleaner Tank Assembly	210
Cleaner Head Assembly	212
Duster Assembly	214
Recovery Tank Assembly	216
Squeegee Assembly	218
Vacuum Motor Assembly	220
Pindeck Treatment Assembly	222
Flex Walker Left ZTR Assembly	224
Flex Walker Right ZTR Assembly	226

BATTERIES AND CHARGERS

Rev. 12/13



158-1634 – K2 LITHIUM – 25.6 Ah



158-1634B – K2 LITHIUM – 38.4 Ah



158-1634C – K2 LITHIUM – 51.2 Ah

Battery Quick Disconnects

Red - 158-1407

Blue - 158-1408

ProNautic® Charger and Accessories



164-8471 -

EXTERNAL BATTERY CHARGER ASSEMBLY – 115V

164-8471 E

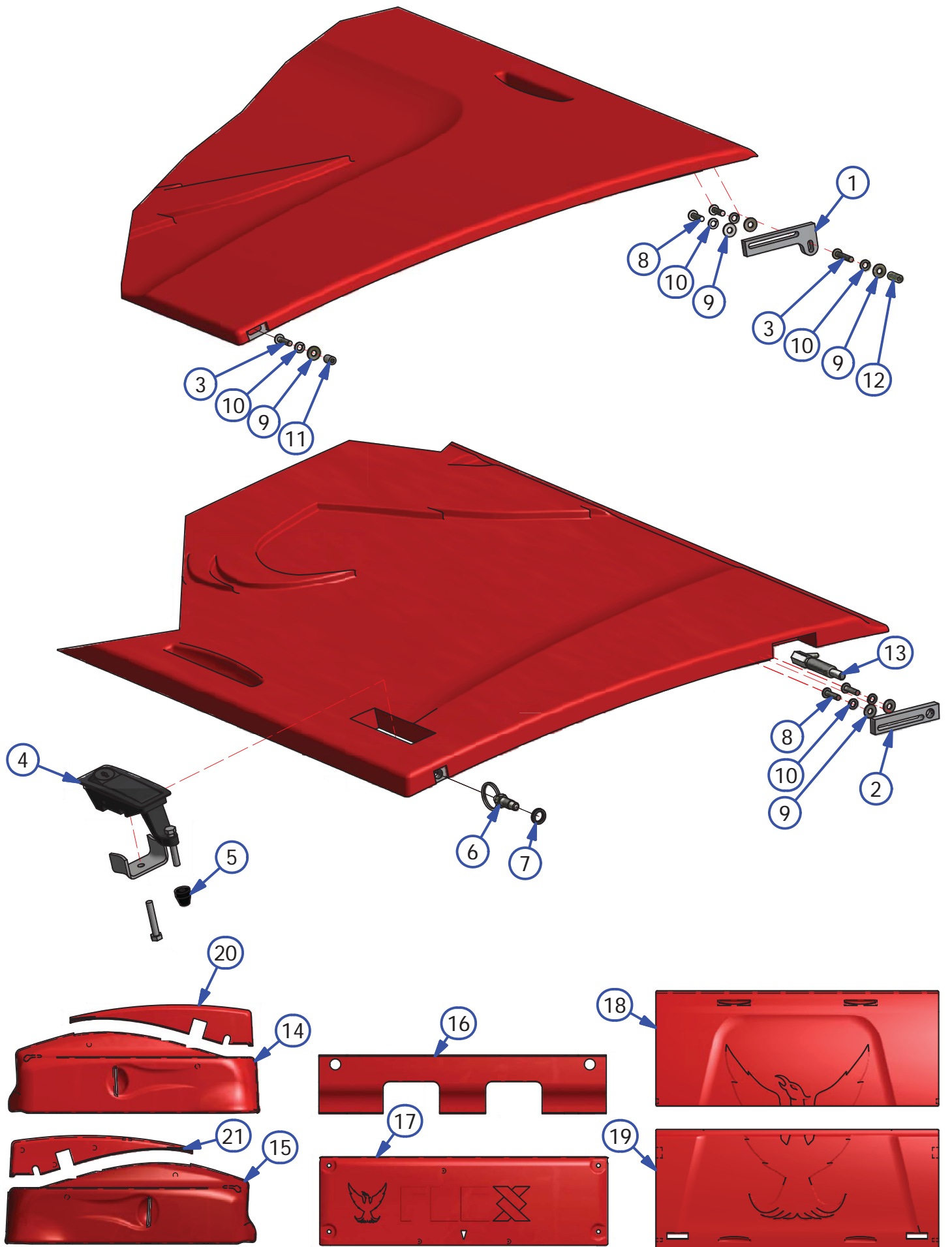
EXTERNAL BATTERY CHARGER ASSEMBLY – 230v

DC Power Cord Assembly – 6FT External – 164-8475

LID AND COVER ASSEMBLY - FLEX

REV. 8/18

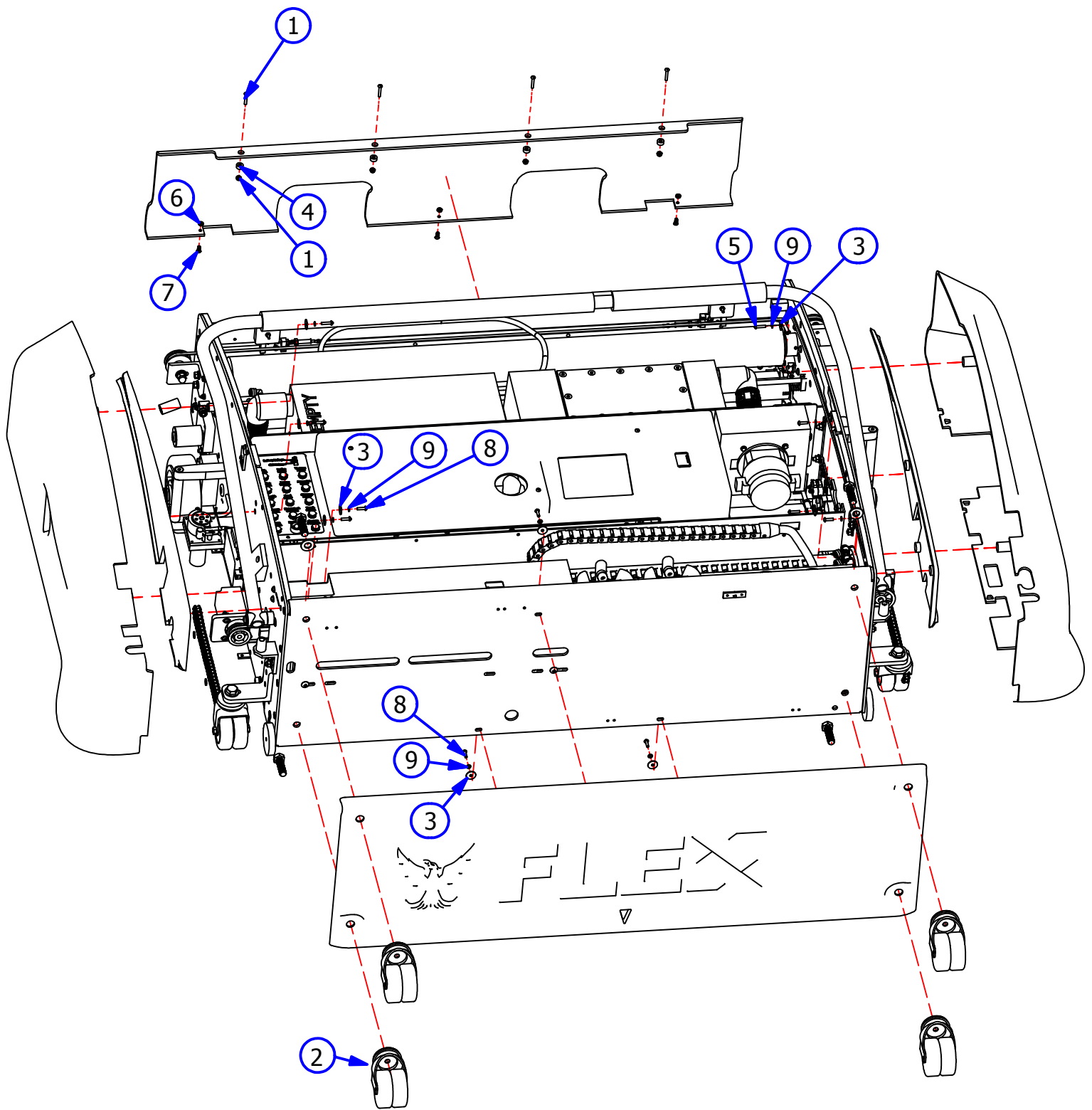
<u>INDEX</u>				
<u>NUMBER</u>	<u>QTY.</u>	<u>PART NUMBER</u>	<u>DESCRIPTION</u>	<u>UOM</u>
1	2	164-6234	SLIDING LID MOUNT (CLEANING LID)	EA
2	2	164-6233	SLIDING LID MOUNT (CONDITIONING LID)	EA
3	4	164-2072	SHCS 8-32 X 3/4 THREAD LOCKING PATCH	EA
4	2	153-2232L	FLUSH MOUNT LID LATCH (WITH LOCK)	EA
5	2	164-6164	LID LATCH BUMPER	EA
6	2	164-2002	DETENT - SPRING PLUNGER	EA
7	2	164-2041	SHIM FOR SCREW SHOULDER	EA
8	8	153-2086	MS PHILLIPS 8-32 X 5/8	EA
9	12	153-2002	FLAT WASHER #8	EA
10	12	153-2013	LOCK WASHER #10	EA
11	2	164-2044	STANDOFF FEMALE THREADED 8-32 X 3/8	EA
12	2	164-2071	STANDOFF FEMALE THREADED	EA
13	2	164-2069	SPRING PLUNGER THREADED	EA
14	1	164-8234	FLEX LT SIDE GUARD - WHITE	EA
	1	164-8234-1525	FLEX LT SIDE GUARD - BLUE	EA
	1	164-8234-2850	FLEX LT SIDE GUARD - BLACK	EA
	1	164-8234-2911	FLEX LT SIDE GUARD - RED	EA
15	1	164-8235	FLEX RT SIDE GUARD - WHITE	EA
	1	164-8235-1525	FLEX RT SIDE GUARD - BLUE	EA
	1	164-8235-2850	FLEX RT SIDE GUARD - BLACK	EA
	1	164-8235-2911	FLEX RT SIDE GUARD - RED	EA
16	1	164-8236	FRONT BUMPER - WHITE	EA
	1	164-8236-1525A	FRONT BUMPER - BLUE	EA
	1	164-8236-2850A	FRONT BUMPER - BLACK	EA
	1	164-8236-2911A	FRONT BUMPER - RED	EA
17	1	164-8049	FLEX BACK PANEL - WHITE	EA
	1	164-8049-1525	FLEX BACK PANEL - BLUE	EA
	1	164-8049-2850	FLEX BACK PANEL - BLACK	EA
	1	164-8049-2911	FLEX BACK PANEL - RED	EA
18	1	164-8230	SLIDING CLEANER COMPARTMENT LID - WHITE	EA
	1	164-8231-2850	SLIDING CLEANER COMPARTMENT LID - BLACK	EA
	1	164-8230-2911	SLIDING CLEANER COMPARTMENT LID - RED	EA
	1	164-8230-1525	SLIDING CLEANER COMPARTMENT LID - BLUE	EA
19	1	164-8231	SLIDING LID ASSEMBLY - WHITE	EA
	1	164-8231-2850	SLIDING LID ASSEMBLY - BLACK	EA
	1	164-8231-2911	SLIDING LID ASSEMBLY - RED	EA
	1	164-8231-1525	SLIDING LID ASSEMBLY - BLUE	EA
21	1	164-6733	LEFT SIDE GUARD FLEX UPPER - WHITE	EA
	1	164-6733-2850	LEFT SIDE GUARD FLEX UPPER - BLACK	EA
	1	164-6733-2911	LEFT SIDE GUARD FLEX UPPER - RED	EA
	1	164-6733-1525	LEFT SIDE GUARD FLEX UPPER - BLUE	EA
22	1	164-6732	RIGHT SIDE GUARD FLEX UPPER - WHITE	EA
	1	164-6732-2850	RIGHT SIDE GUARD FLEX UPPER - BLACK	EA
	1	164-6732-2911	RIGHT SIDE GUARD FLEX UPPER - RED	EA
	1	164-6732-1525	RIGHT SIDE GUARD FLEX UPPER - BLUE	EA



PANEL EXPLOSION - FLEX

REV. 8/16

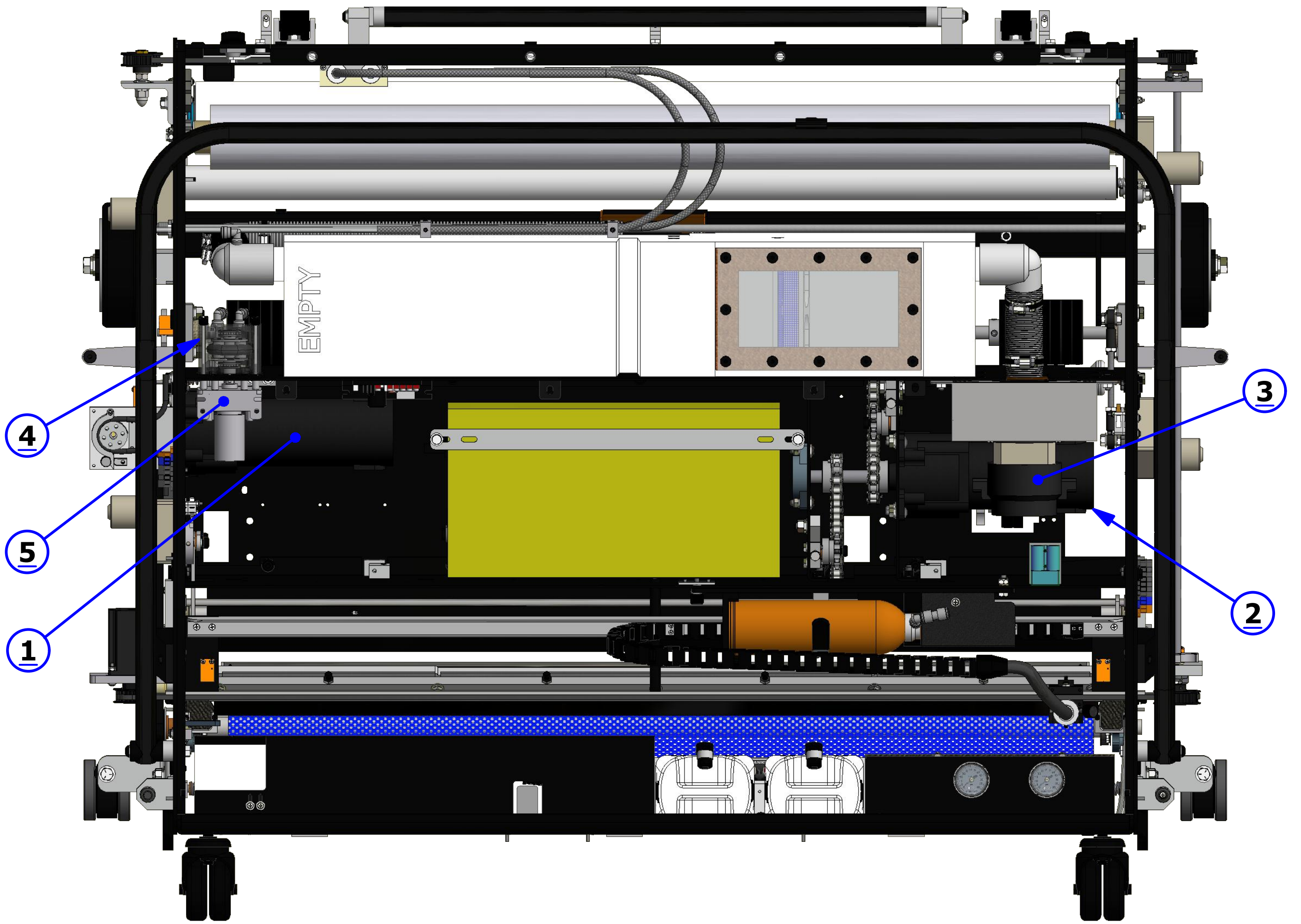
<u>INDEX</u> <u>NUMBER</u>	<u>QTY.</u>	<u>PART</u> <u>NUMBER</u>	<u>DESCRIPTION</u>	<u>UOM</u>
1	4	164-2066	BINDING POST	EA
2	4	164-8814	TRANSPORT CASTER ASSEMBLY (Complete with below parts)	EA
	4	153-0001BK	TRANSPORT CASTER ONLY	EA
	4	153-2017	1/2 LOCKWASHER	EA
	4	164-2039	HHCS 1/2-13 X 1 3/4 GRADE 5	EA
3	11	153-2953	FENDER WASHER - #8	EA
4	4	164-2038	RUBBER BUMPER SBR	EA
5	4	153-2087	MS PHILLIPS - 8-32 X 3/4	EA
6	3	164-2051	THIN HEX LOCKNUT - 8-32	EA
7	3	153-2817	FHMS-8-32 X 1/2	EA
8	7	153-2086	MS PHILLIPS - 8-32 X 5/8	EA
9	11	153-2013	#10 LOCKWASHER	EA



TOP VIEW - FLEX

REV. 1/16

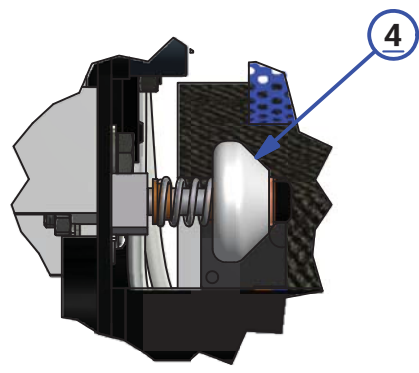
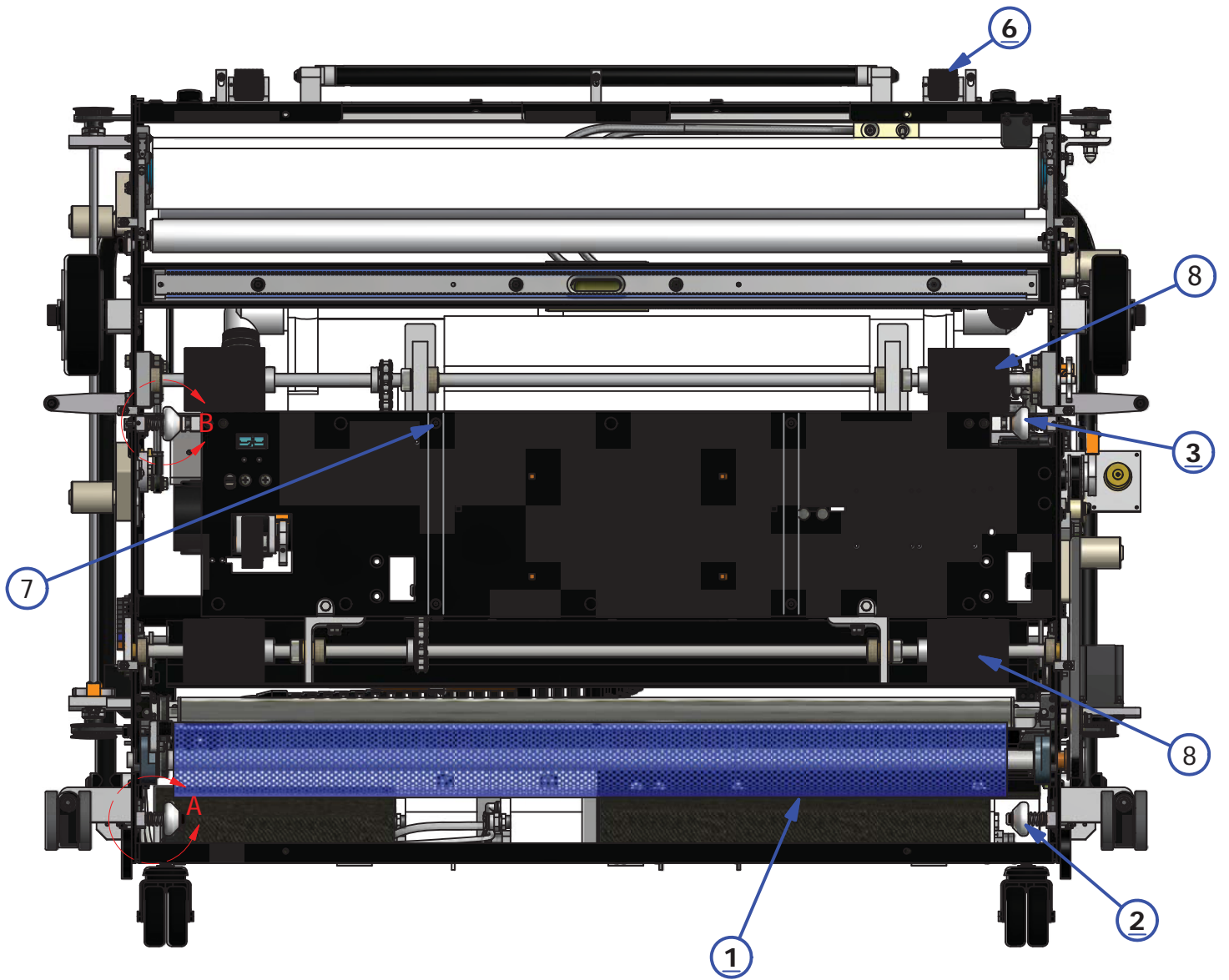
<u>INDEX</u> <u>NUMBER</u>	<u>QTY.</u>	<u>PART</u> <u>NUMBER</u>	<u>DESCRIPTION</u>	<u>UOM</u>
1	1	158-8414	BUFFER MOTOR - 24VDC - 500RPM - STANDARD	EA
	1	158-1406B	BUFFER MOTOR BRUSHES (PAIR)	PR
	1	164-9016	BUFFER BELT STANDARD	EA
	1	158-9401	PULLEY (14 TOOTH 1/2" BORE)	EA
1	1	164-8014	BUFFER MOTOR - 24VDC - 700RPM - VARIABLE BUFFER	EA
	1	158-1405B	BUFFER MOTOR BRUSHES (PAIR)	PR
	1	164-9017	BUFFER MOTOR BELT VARIABLE	EA
	1	164-9014A	BUFFER MOTOR PULLEY ASSEMBLY	EA
2	1	158-8602	DRIVE MOTOR 24V EXTENDED SHAFT	EA
	1	158-1405B	DRIVE MOTOR BRUSHES (PAIR)	PR
	1	154-9601	CHAIN (FOR 153-9002 SPROCKET)	EA
	1	153-9047	MASTER LINK #40	EA
	1	153-9048	OFFSET LINK #40	EA
	1	153-9002	SPROCKET - 40B13 (5/8 IN)	EA
3	1	158-8407	VACUUM MOTOR - 24VDC	EA
4	1	158-8404D	CLEANER PUMP ASSEMBLY	EA
	1	154-0861B	NORPRENE TUBING FOR CLEANER PUMP ASSEMBLY	EA
5	1	158-8404	CLEANER PUMP MOTOR - 24VDC	EA



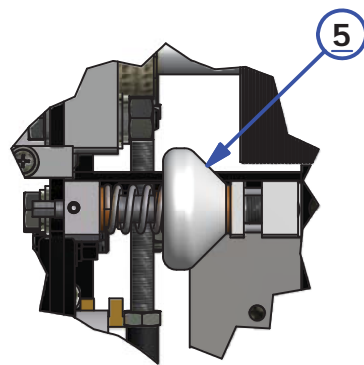
BOTTOM - FLEX

REV. 5/16

<u>INDEX</u> <u>NUMBER</u>	<u>QTY.</u>	<u>PART</u> <u>NUMBER</u>	<u>DESCRIPTION</u>	<u>UOM</u>
1	1	164-8001A	BUFFER BRUSH ASSEMBLY	EA
	1	164-9016	BUFFER BELT ASSEMBLY - NON-VARIABLE	EA
	1	164-9017	BUFFER BELT ASSEMBLY - VARIABLE BUFF	EA
2	2	158-8642	REAR GUIDE WHEEL ASSEMBLY - COMPLETE <i>THE BELOW ATTACHED PARTS ARE NOT SHOWN</i>	EA
	2	153-2407	SHOULDER BOLT 3/8 X 1 3/4	EA
	2	153-2978	SPRING - COMPRESSION FOR GUIDE WHEEL	EA
	2	158-8636	GUIDE WHEEL ASSEMBLY - REAR	EA
3	2	158-8643	FRONT GUIDE WHEEL ASSEMBLY - COMPLETE <i>THE BELOW ATTACHED PARTS ARE NOT SHOWN</i>	EA
	2	153-9803	FLANGED BUSHING - 3/8 X 1/2 X 3/4	EA
	2	153-2978	SPRING - COMPRESSION FOR GUIDE WHEEL	EA
	2	158-8637	GUIDE WHEEL ASSEMBLY - FRONT	EA
4	2	158-8636	GUIDE WHEEL ASSEMBLY - REAR (WHEEL ONLY)	EA
5	2	158-8637	GUIDE WHEEL ASSEMBLY - FRONT (WHEEL ONLY)	EA
6	2	153-7005R	MOMENTARY WHEEL ASSEMBLY (WHEEL ONLY)	EA
	2	153-6006	MOMENTARY WHEEL SHAFT	EA
	2	153-6029	MOMENTARY WHEEL HOUSING ASSEMBLY	EA
	1	153-2049	SET SCREW (SET SCREW) - 8-32 X 3/16	EA
7	2	153-9803	SKID GUIDE	EA
8	4	153-7013	LDS/DRIVE WHEEL ASSEMBLY	EA



DETAIL A

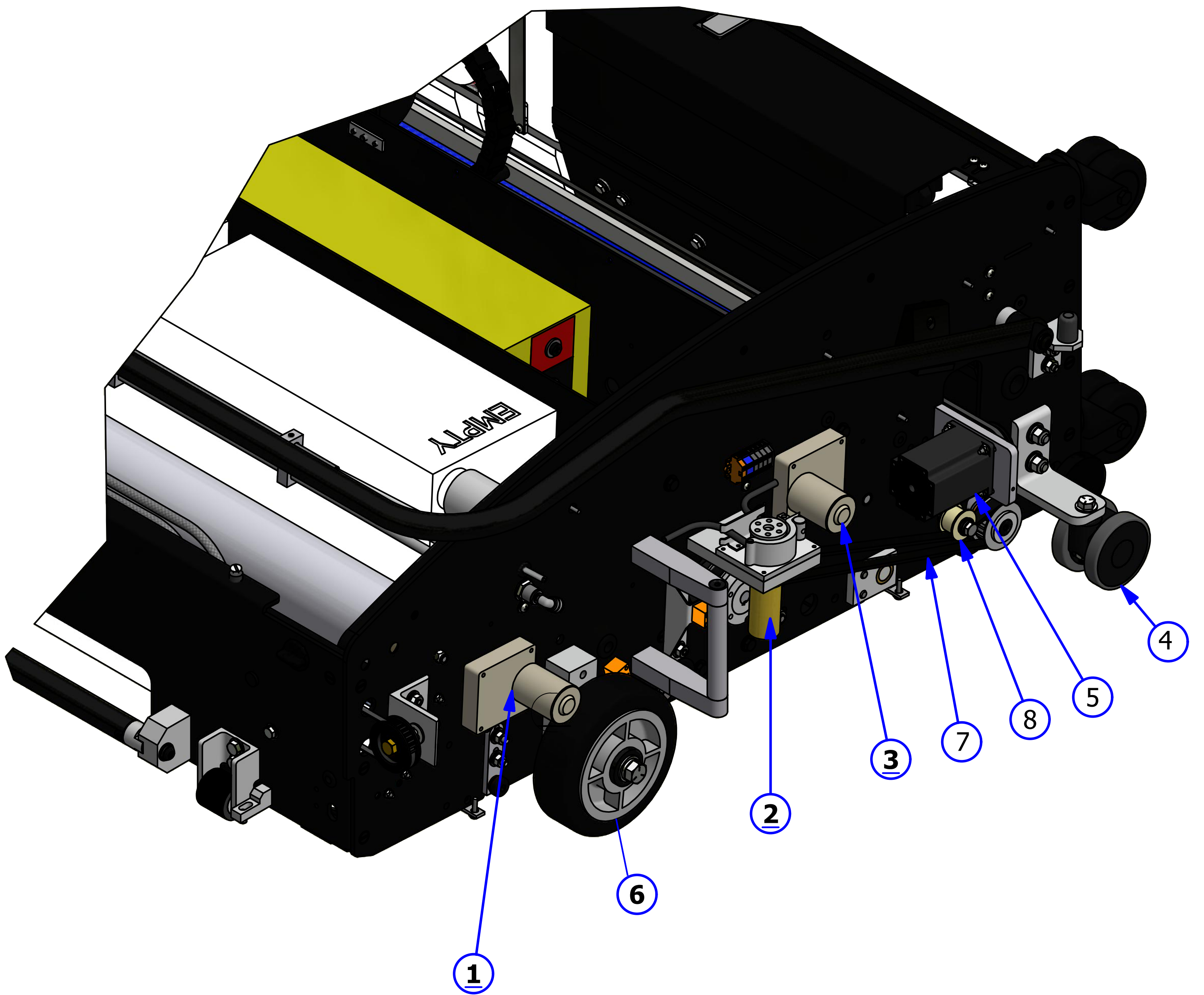


DETAIL B

LEFT SIDE - FLEX

REV. 9/16

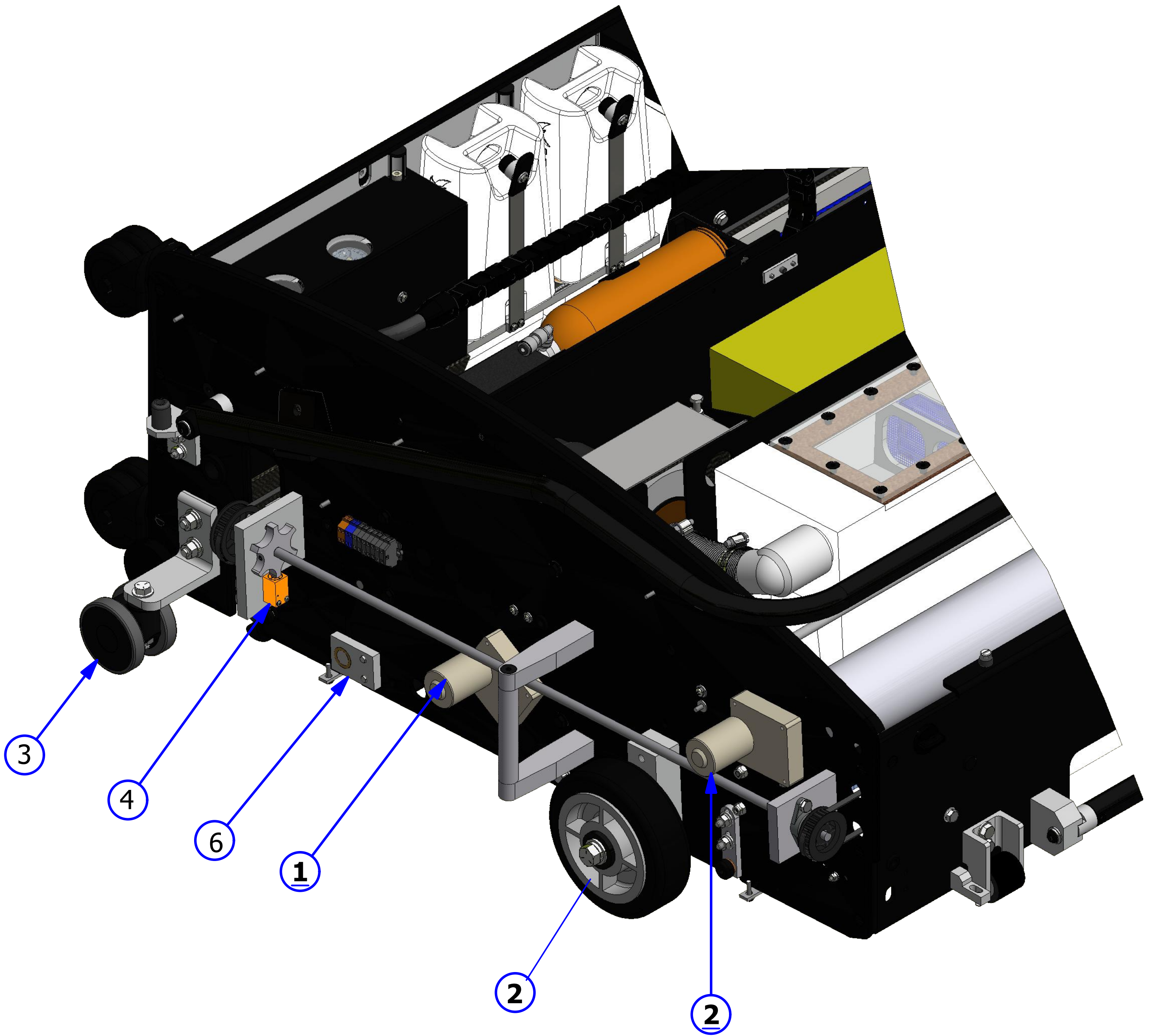
<u>INDEX NUMBER</u>	<u>QTY.</u>	<u>PART NUMBER</u>	<u>DESCRIPTION</u>	<u>UOM</u>
1	2	158-8403	ASSEMBLY - DUSTER MOTOR 24VDC	EA
2	1	164-8027	CLEANER PUMP ASSEMBLY - CONCENTRATE (UPGRADE ONLY)	EA
		164-8025	CLEANER TUBING #14 FOR SUPER CONCENTRATE	EA
		164-8026	CLEANER TUBING #16 FOR REG CONCENTRATE	EA
3	1	158-8402	BUFFER LOWERING MOTOR	EA
4	2	164-0022	CASTER ASSEMBLY (3 INCH DUAL WHEEL)- BLACK	EA
5	1	164-8032	HEAD DRIVE MOTOR ASSEMBLY	EA
6	2	158-7002	6" WHEEL ASSEMBLY	EA
	2	164-2074	HHCS 1/2-13 X 3 1/2"	EA
	2	153-2007	FLAT WASHER 1/2"	EA
	2	153-2017	LOCK WASHER 1/2"	EA
7	1	164-9016	BUFFER BELT ASSEMBLY - STANDARD	EA
	1	164-9017	BUFFER BELT ASSEMBLY - VARIABLE BUFF UPGRADE	EA
8	1	153-8039	BUFFER IDLER PULLEY	EA



RIGHT SIDE - FLEX

REV. 1/20

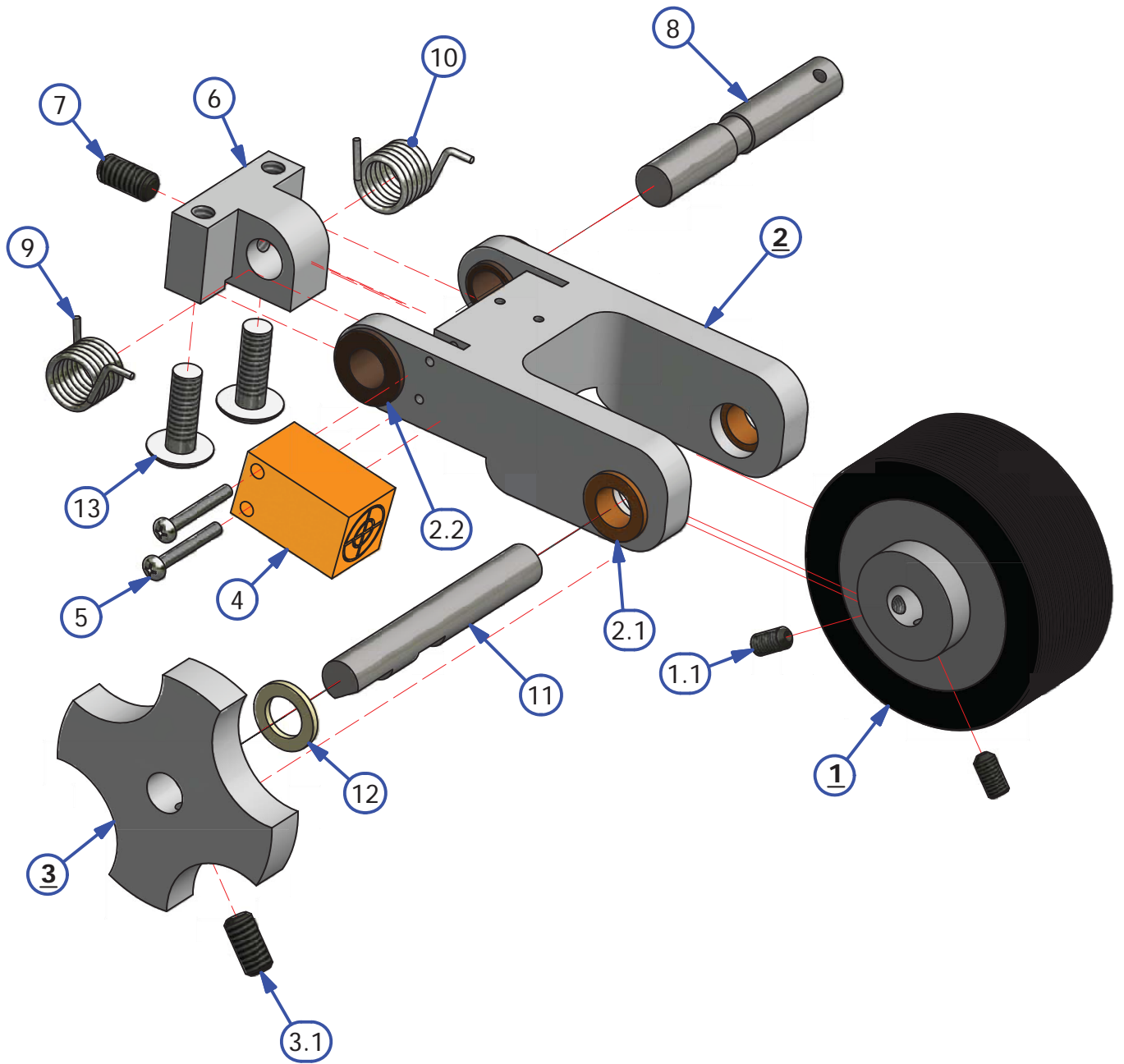
<u>INDEX NUMBER</u>	<u>QTY.</u>	<u>PART NUMBER</u>	<u>DESCRIPTION</u>	<u>UOM</u>
1	2	158-8402	SQUEEGEE / BRUSH LIFT MOTOR - 24VDC	EA
2	2	158-8403	DUSTER MOTOR ASSEMBLY - 24VDC	EA
3	2	164-0022	CASTER ASSEMBLY (3 INCH DUAL WHEEL)- BLACK	EA
4	1	154-1220	PROXIMITY SENSOR	EA
5	2	158-7002	6" WHEEL ASSEMBLY	EA
	2	164-2074	HHCS 1/2-13 X 3 1/2"	EA
	2	153-2007	FLAT WASHER 1/2"	EA
	2	153-2017	LOCK WASHER	EA
6	2	164-8216	REAR DRIVE SHAFT BLOCK	EA



LDS ASSEMBLY - FLEX

REV. 1/16

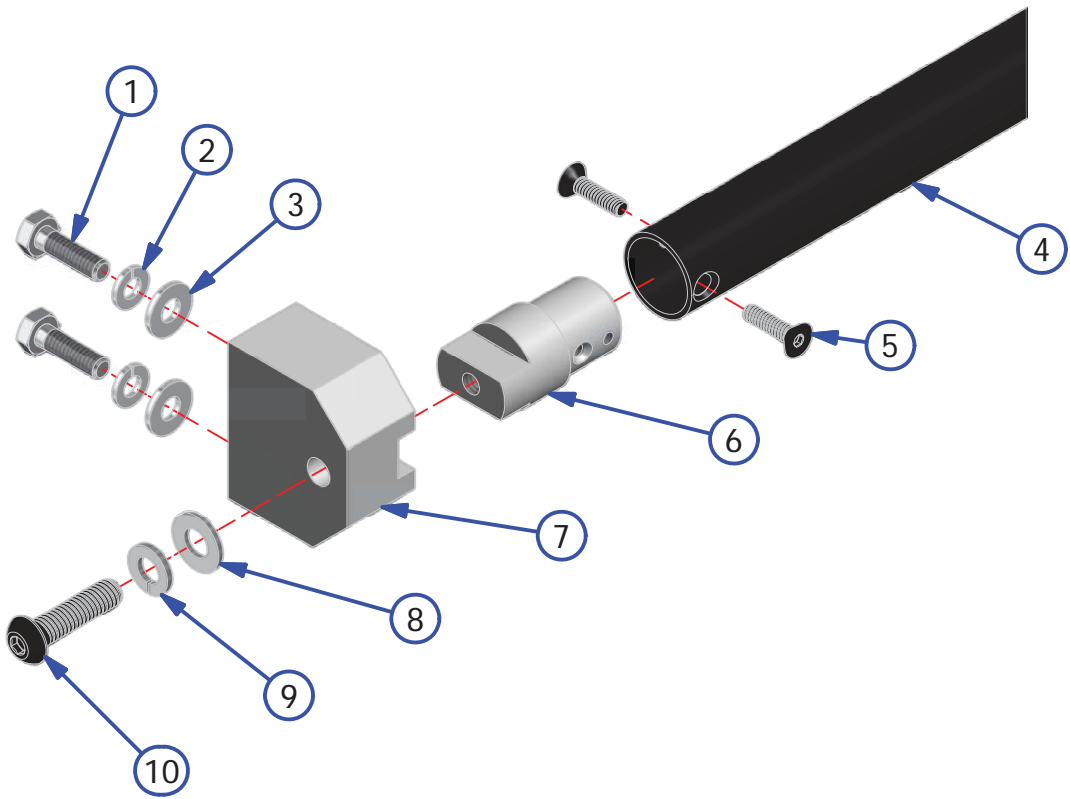
<u>INDEX</u> <u>NUMBER</u>	<u>QTY.</u>	<u>PART</u> <u>NUMBER</u>	<u>DESCRIPTION</u>	<u>UOM</u>
1	1	164-7001A	LDS WHEEL ASSEMBLY	
1.1	2	153-2201	SET SCREW - 10-32 X 3/8	EA
2	1	164-8052	LDS ARM ASSEMBLY	EA
2.1	2	153-9803	FLANGED BUSHING (3/8 X 1/2 X 1/4)	EA
2.2	2	153-9402	FLANGED BUSHING (3/8 x 1/2 x 1/2)	EA
3	1	164-6131A	FLEX LDS DISK	EA
3.1	1	153-2051	SET SCREW - 1/4-20 X 1/2	EA
4	1	154-1220	INDUCTIVE PROXIMITY SENSOR (TL-Q5MC1)	EA
5	2	153-2216A	MS PHILLIPS - 4-40 X 7/8	EA
6	1	164-6128	LDS ARM MOUNT	EA
7	1	153-2051	SET SCREW - 1/4-20 X 1/2	EA
8	1	164-6129	LDS ARM SHAFT	EA
9	1	153-2944	TORSION SPRING - RH	EA
10	1	153-2945	TORSION SPRING - LH	EA
11	1	164-6130	LDS WHEEL SHAFT	EA
12	1	153-2009	NYLON FLAT WASHER (3/8 - 0.060)	EA
13	2	153-2924	MS PHILLIPS - 1/4-20 X 3/4 TRUSS HEAD	EA



FRONT HANDLE ASSEMBLY - FLEX

REV. 3/16

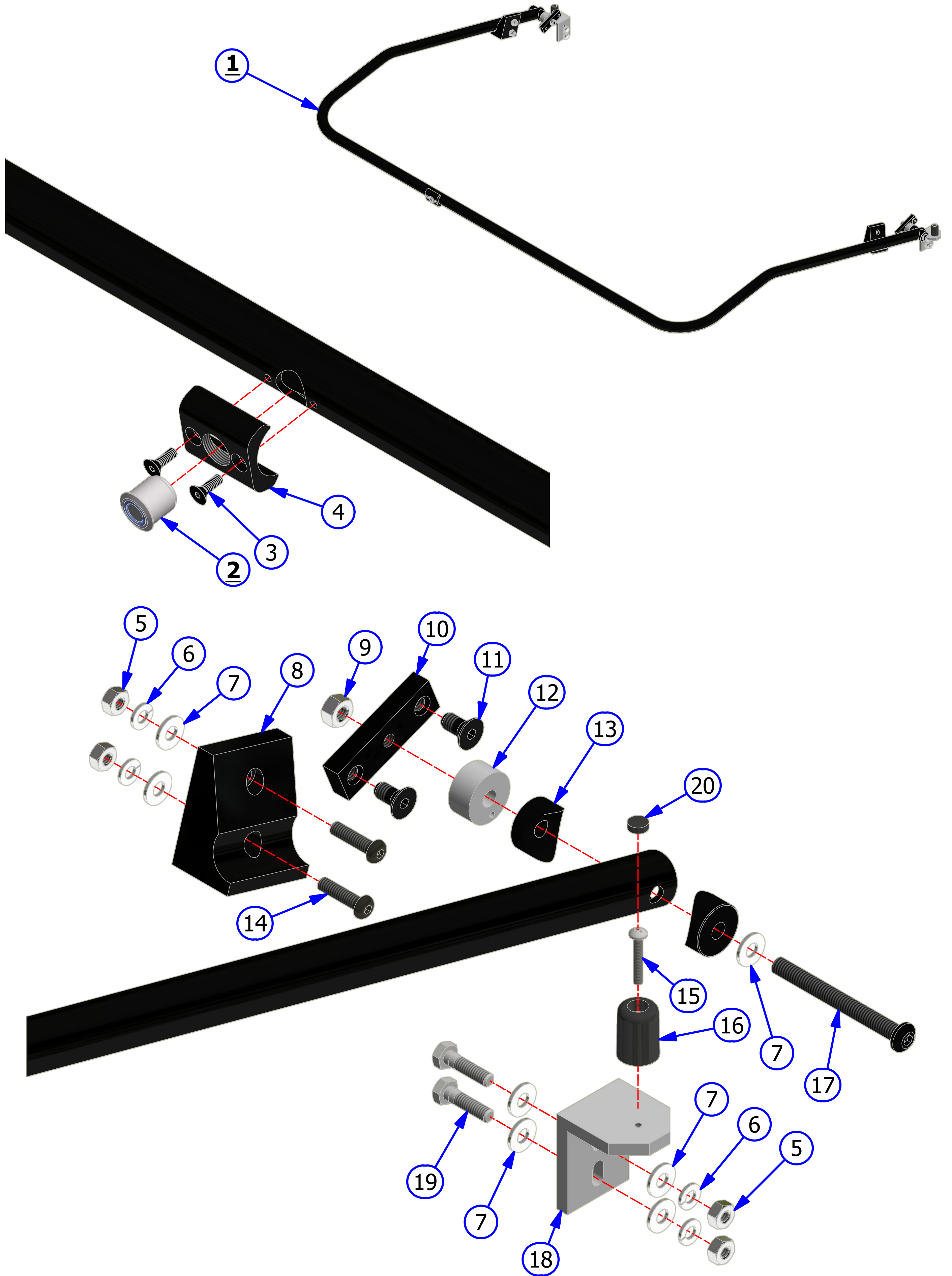
<u>INDEX</u> <u>NUMBER</u>	<u>QTY.</u>	<u>PART NUMBER</u>	<u>DESCRIPTION</u>	<u>UOM</u>
1	4	153-2052	HHCS - 1/4-20 X 7/8	EA
2	4	153-2014	1/4 LOCKWASHER	EA
3	4	153-2004	1/4 FLATWASHER	EA
4	1	164-8073F	FRONT HANDLE - COMPLETE ASSY	EA
5	4	153-2996	SCREW - FHCS 10-24 X 3/4 BLACK OXIDE	EA
6	2	164-6072	FRONT HANDLE PLUG	EA
7	2	164-6087	FRONT HANDLE BRACKET	EA
8	2	153-2005	5/16 FLATWASHER	EA
9	2	153-2015	5/16 LOCKWASHER	EA
10	2	164-2045	BHSCS 5/16-18 X 1-1/4	EA



HANDLE ASSEMBLY - FLEX

REV. 3/16

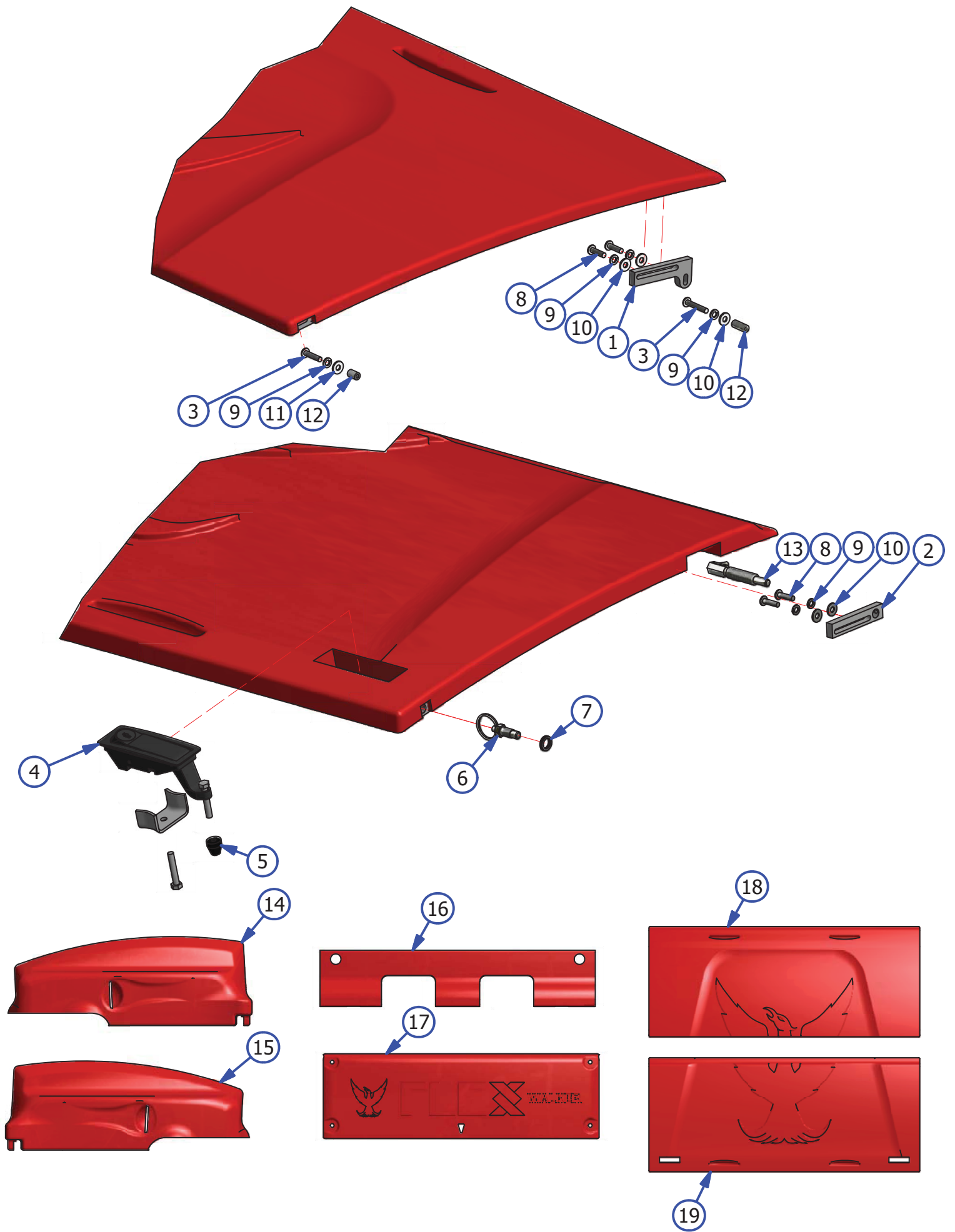
<u>INDEX</u> <u>NUMBER</u>	<u>QTY.</u>	<u>PART</u> <u>NUMBER</u>	<u>DESCRIPTION</u>	<u>UOM</u>
1	1	164-8012	HANDLE ASSEMBLY (COMPLETE)	EA
2	1	164-8013	HANDLE BUTTON REPLACEMENT ASSEMBLY (W/WIRES)	EA
3	2	158-2003	SCREW 8-32 X 1/2 FHCS BLK OXIDE	EA
4	1	164-6083	BUTTON COLLAR	EA
5	8	153-2023	1/4-20 HEX NUT	EA
6	8	153-2014	1/4 LOCKWASHER	EA
7	14	153-2004	1/4 FLATWASHER	EA
8	2	164-6057	HANDLE CATCH	EA
9	2	153-2116	NYLOCK - 5/16-18	EA
10	2	164-6084	FLEX HANDLE MOUNT	EA
11	4	153-2802	FHSS - 5/16-18 X 5/8	EA
12	2	164-6058	FLEX HANDLE SPACER	EA
13	4	164-2001	UNTHREADED CURVED SPACER BLACK	EA
14	4	153-2053A	BHSS - 1/4-20 X 1	EA
15	2	153-2089	MS PHILLIPS - 8-32 X 1	EA
16	2	164-8213	RUBBER BUMPER-3/4 DIA X 1 HIGH	EA
17	2	164-2028	BHSCS 5/16-18 X 3 FULL THREAD	EA
18	2	164-6081	FLEX HANDLE BUMPER MT	EA
19	4	153-2053	HHCS - 1/4-20 X 1	EA
20	2	164-6946	POLYURETHANE BUMPER PLUG	EA



LID AND COVER ASSEMBLY - FLEX WALKER

REV. 3/16

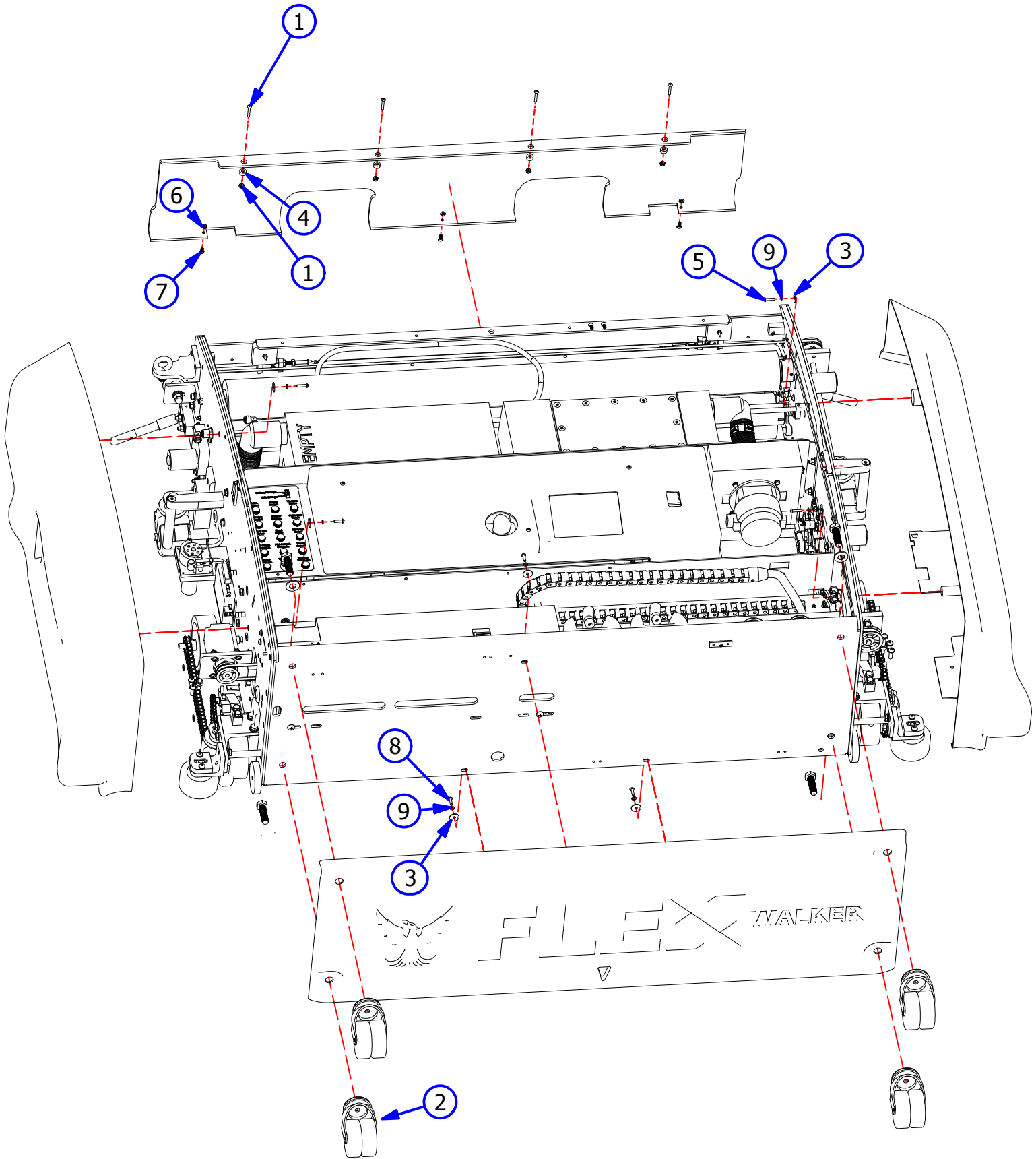
<u>INDEX</u>				
<u>NUMBER</u>	<u>QTY.</u>	<u>PART NUMBER</u>	<u>DESCRIPTION</u>	<u>UOM</u>
1	2	164-6234	SLIDING LID MOUNT (CLEANING LID)	EA
2	2	164-6233	SLIDING LID MOUNT (CONDITIONING LID)	EA
3	4	164-2072	SHCS 8-32 X 3/4 THREAD LOCKING PATCH	EA
4	2	153-2232L	FLUSH MOUNT LID LATCH (WITH LOCK)	EA
5	2	164-6164	LID LATCH BUMPER	EA
6	2	164-2002	DETENT - SPRING PLUNGER	EA
7	2	164-2041	SHIM FOR SCREW SHOULDER	EA
8	8	153-2086	MS PHILLIPS 8-32 X 5/8	EA
9	12	153-2002	FLAT WASHER #8	EA
10	12	153-2013	LOCK WASHER #10	EA
11	2	164-2044	STANDOFF FEMALE THREADED 8-32 X 3/8	EA
12	2	164-2071	STANDOFF FEMALE THREADED	EA
13	2	164-2069	SPRING PLUNGER THREADED	EA
14	1	164-8232	FLEX WALKER LT SIDE GUARD - WHITE	EA
	1	164-8232-1525	FLEX WALKER LT SIDE GUARD - BLUE	EA
	1	164-8232-2850	FLEX WALKER LT SIDE GUARD - BLACK	EA
	1	164-8232-2911	FLEX WALKER LT SIDE GUARD - RED	EA
15	1	164-8233	FLEX WALKER RT SIDE GUARD - WHITE	EA
	1	164-8233-1525	FLEX WALKER RT SIDE GUARD - BLUE	EA
	1	164-8233-2850	FLEX WALKER RT SIDE GUARD - BLACK	EA
	1	164-8233-2911	FLEX WALKER RT SIDE GUARD - RED	EA
16	1	164-8236	FRONT BUMPER - WHITE	EA
	1	164-8236-1525A	FRONT BUMPER - BLUE	EA
	1	164-8236-2850A	FRONT BUMPER - BLACK	EA
	1	164-8236-2911A	FRONT BUMPER - RED	EA
17	1	164-8049	FLEX BACK PANEL - WHITE	EA
	1	164-8049-1525	FLEX BACK PANEL - BLUE	EA
	1	164-8049-2850	FLEX BACK PANEL - BLACK	EA
	1	164-8049-2911	FLEX BACK PANEL - RED	EA
18	1	164-8230	SLIDING CLEANER COMPARTMENT LID - WHITE	EA
	1	164-8231-2850	SLIDING CLEANER COMPARTMENT LID - BLACK	EA
	1	164-8230-2911	SLIDING CLEANER COMPARTMENT LID - RED	EA
	1	164-8230-1525	SLIDING CLEANER COMPARTMENT LID - BLUE	EA
19	1	164-8231	SLIDING LID ASSEMBLY - WHITE	EA
	1	164-8231-2850	SLIDING LID ASSEMBLY - BLACK	EA
	1	164-8231-2911	SLIDING LID ASSEMBLY - RED	EA



PANEL EXPLOSION - FLEX WALKER

REV. 8/16

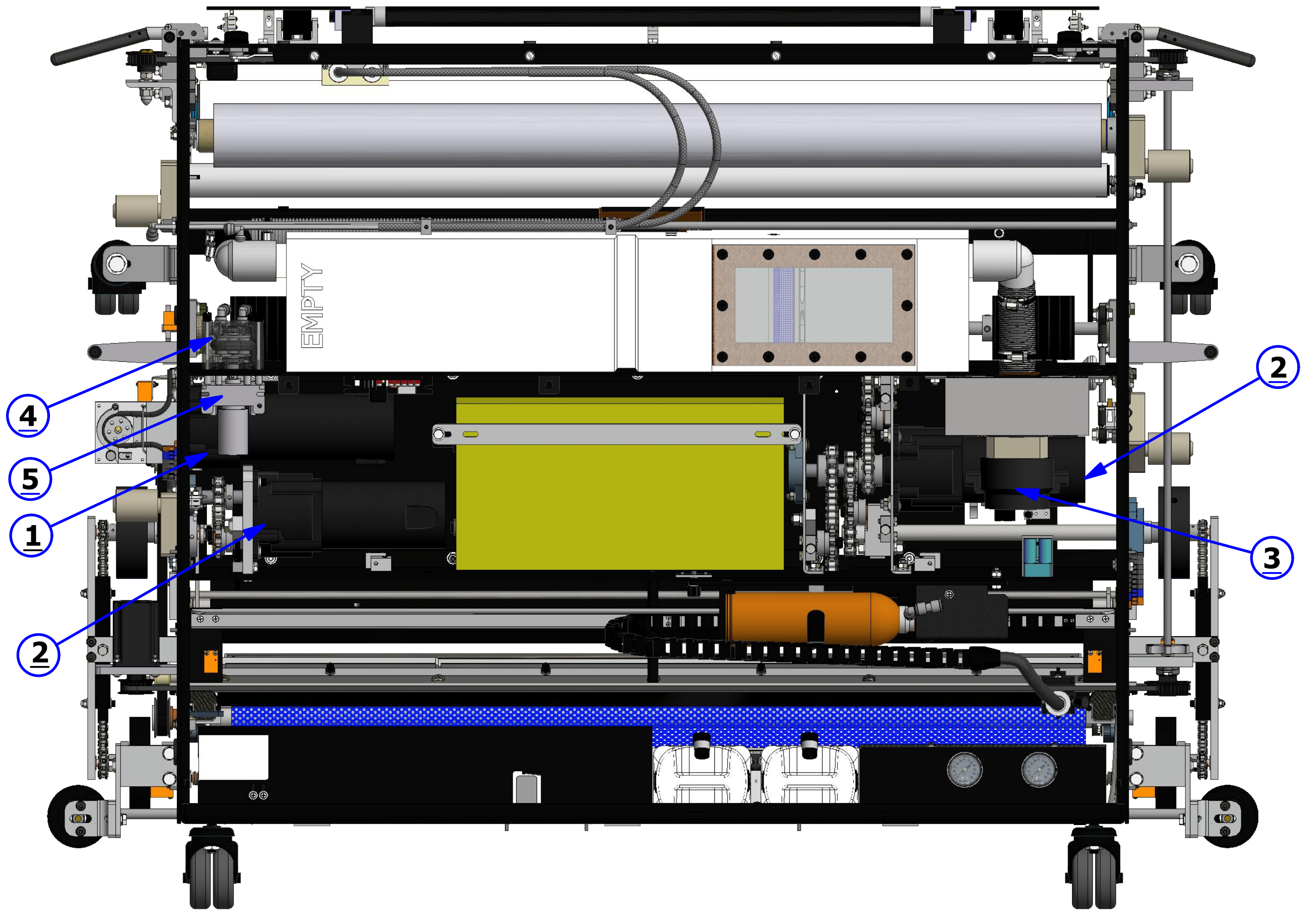
<u>INDEX</u> <u>NUMBER</u>	<u>QTY.</u>	<u>PART</u> <u>NUMBER</u>	<u>DESCRIPTION</u>	<u>UOM</u>
1	4	164-2066	BINDING POST	EA
2	4	164-8814	TRANSPORT CASTER ASSEMBLY (Complete with below parts)	EA
	4	153-0001BK	TRANSPORT CASTER ONLY	EA
	4	153-2017	1/2 LOCKWASHER	EA
	4	164-2039	HHCS 1/2-13 X 1 3/4 GRADE 5	EA
3	11	153-2953	FENDER WASHER - #8	EA
4	4	164-2038	RUBBER BUMPER SBR	EA
5	4	153-2087	MS PHILLIPS - 8-32 X 3/4	EA
6	3	164-2051	THIN HEX LOCKNUT - 8-32	EA
7	3	153-2817	FHMS-8-32 X 1/2	EA
8	7	153-2086	MS PHILLIPS - 8-32 X 5/8	EA
9	11	153-2013	#10 LOCKWASHER	EA



TOP VIEW - FLEX WALKER

REV. 1/18

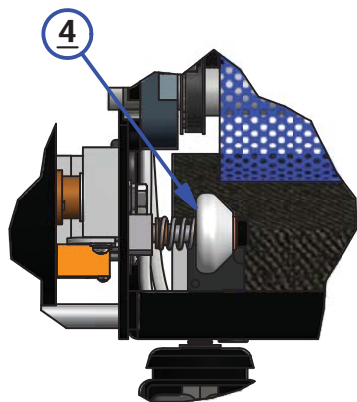
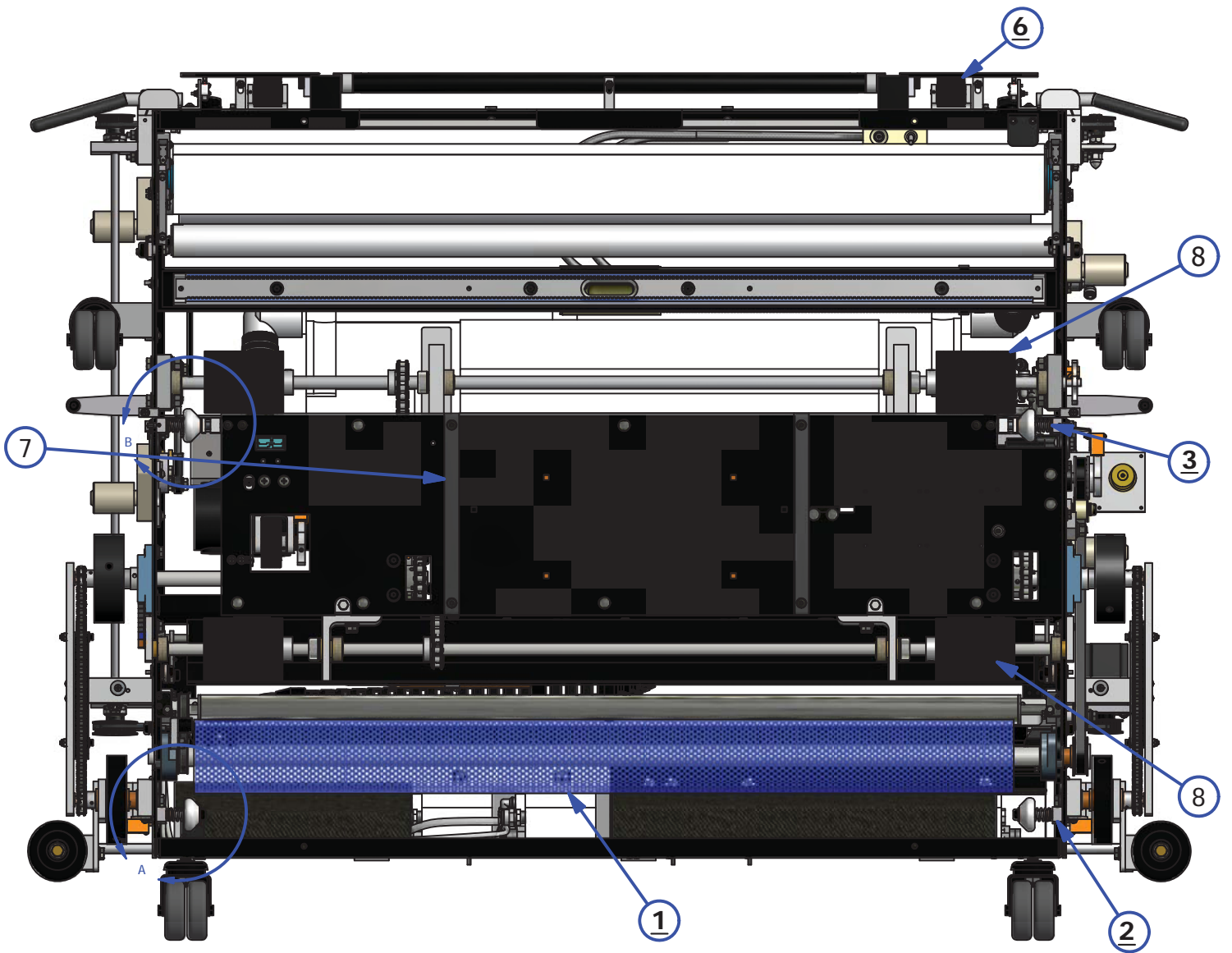
<u>INDEX NUMBER</u>	<u>QTY.</u>	<u>PART NUMBER</u>	<u>DESCRIPTION</u>	<u>UOM</u>
1	1	158-8414	BUFFER MOTOR - 24VDC - 500RPM - STANDARD	EA
	1	158-1406B	BUFFER MOTOR BRUSHES (PAIR)	PR
	1	164-9016	BUFFER BELT	EA
	1	158-9401	PULLEY (14 TOOTH 1/2" BORE)	EA
1	1	164-8014	BUFFER MOTOR - 24VDC - 700RPM - VARIABLE BUFFER	EA
	1	158-1405B	BUFFER MOTOR BRUSHES (PAIR)	PR
	1	164-9017	BUFFER MOTOR BELT	EA
	1	164-9014A	BUFFER MOTOR PULLEY ASSEMBLY	EA
2	1	164-8217M	RIGHT MAIN DRIVE MOTOR 24V	EA
2	1	158-8602	LEFT DRIVE MOTOR 24V	EA
	1	158-1405B	DRIVE MOTOR BRUSHES (PAIR)	PR
	1	154-9601	CHAIN (FOR 153-9002, INSIDE AND OUTSIDE SPROCKET)	EA
	1	153-9444	CHAIN (FOR 153-9003, MIDDLE SPROCKET)	EA
	1	153-9047	MASTER LINK #40	EA
	1	153-9048	OFFSET LINK #40	EA
	1	153-9002	SPROCKET - 40B13 (5/8 IN) INSIDE AND OUTSIDE SPROCKET	EA
	1	153-9003	SPROCKET - 40B10 (5/8 IN) INSIDE AND OUTSIDE SPROCKET	EA
	3	1	158-8407	VACUUM MOTOR - 24VDC
4	1	158-8404D	CLEANER PUMP ASSEMBLY	EA
	1	154-0861B	NORPRENE TUBING FOR CLEANER PUMP ASSEMBLY	EA
5	1	158-8404	CLEANER PUMP MOTOR - 24VDC	EA



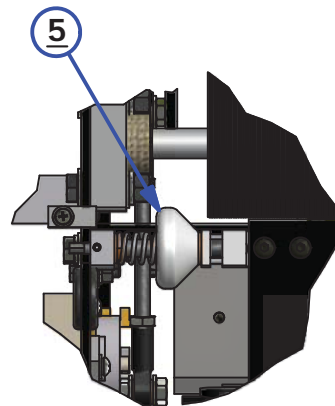
BOTTOM - FLEX WALKER

REV. 1/16

<u>INDEX</u> <u>NUMBER</u>	<u>QTY.</u>	<u>PART</u> <u>NUMBER</u>	<u>DESCRIPTION</u>	<u>UOM</u>
1	1	164-8001A	BUFFER BRUSH ASSEMBLY	EA
	1	164-9016	BUFFER BELT ASSEMBLY NON-VARIABLE	EA
	1	154-9617	BUFFER BELT ASSEMBLY - VARIABLE BUFF	EA
2	2	158-8642	REAR GUIDE WHEEL ASSEMBLY - COMPLETE	EA
	2	153-2407	SHOULDER BOLT 3/8 X 1 3/4	EA
	2	153-2978	SPRING - COMPRESSION FOR GUIDE WHEEL	EA
	2	158-8636	GUIDE WHEEL ASSEMBLY - REAR	EA
3	2	158-8643	FRONT GUIDE WHEEL ASSEMBLY - COMPLETE	EA
3.1	2	153-9803	FLANGED BUSHING - 3/8 X 1/2 X 3/4	EA
3.2	2	153-2978	SPRING - COMPRESSION FOR GUIDE WHEEL	EA
3.3	2	158-8637	GUIDE WHEEL ASSEMBLY - REAR	EA
4	2	158-8636	GUIDE WHEEL ASSEMBLY - REAR (WHEEL ONLY)	EA
5	2	158-8637	GUIDE WHEEL ASSEMBLY - FRONT (WHEEL ONLY)	EA
6	2	153-7005R	MOMENTARY WHEEL ASSEMBLY (WHEEL ONLY)	EA
	2	153-6006	MOMENTARY WHEEL SHAFT	EA
	2	164-6053	MOMENTARY WHEEL HOUSING ASSEMBLY	EA
	2	153-2049	SET SCREW - 8-32 X 3/16"	EA
7	2	153-9803	SKID GUIDE	EA
8	4	153-7013	DRIVE WHEEL	EA



DETAIL A

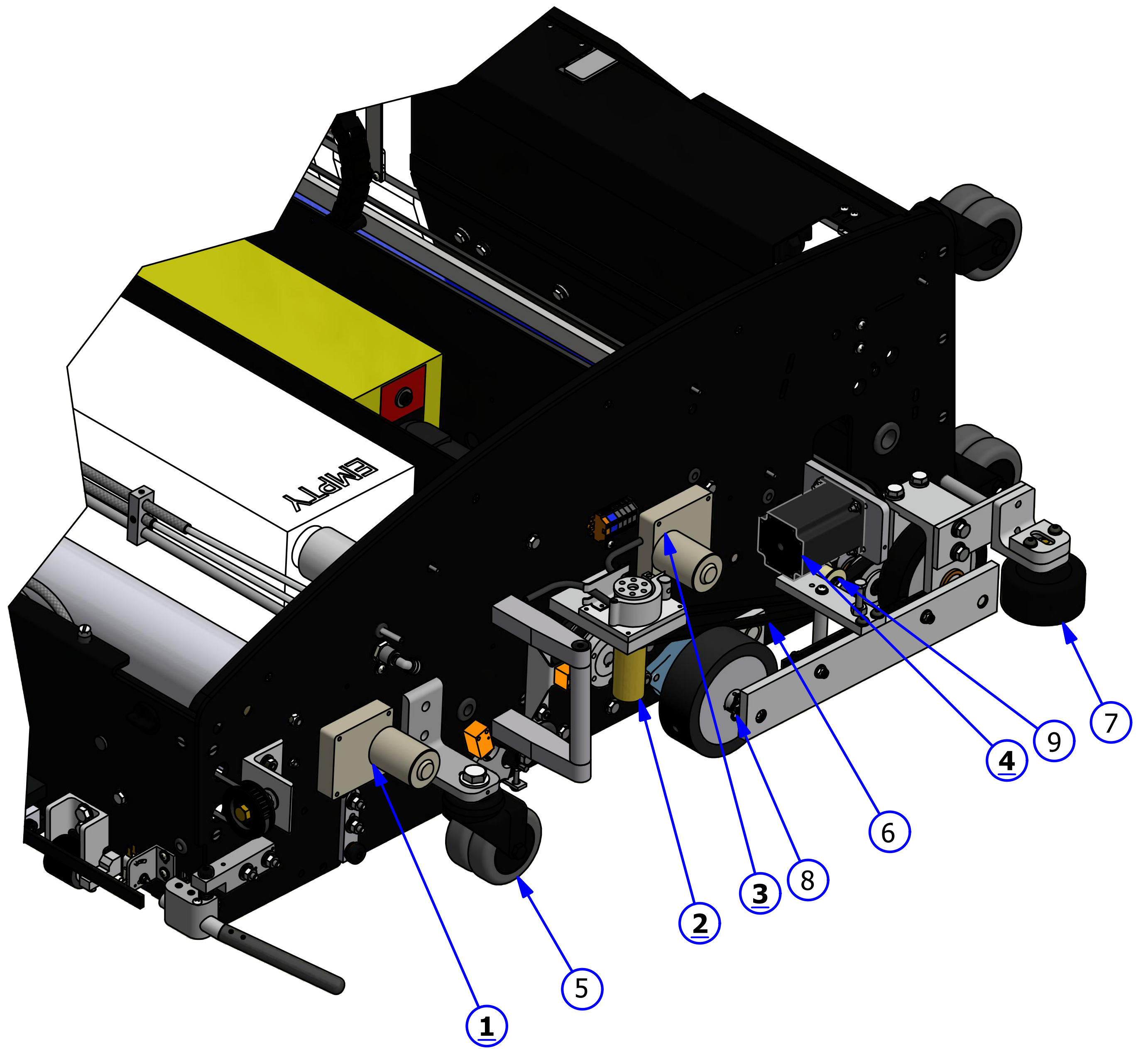


DETAIL B

LEFT SIDE - FLEX WALKER

REV. 1/16

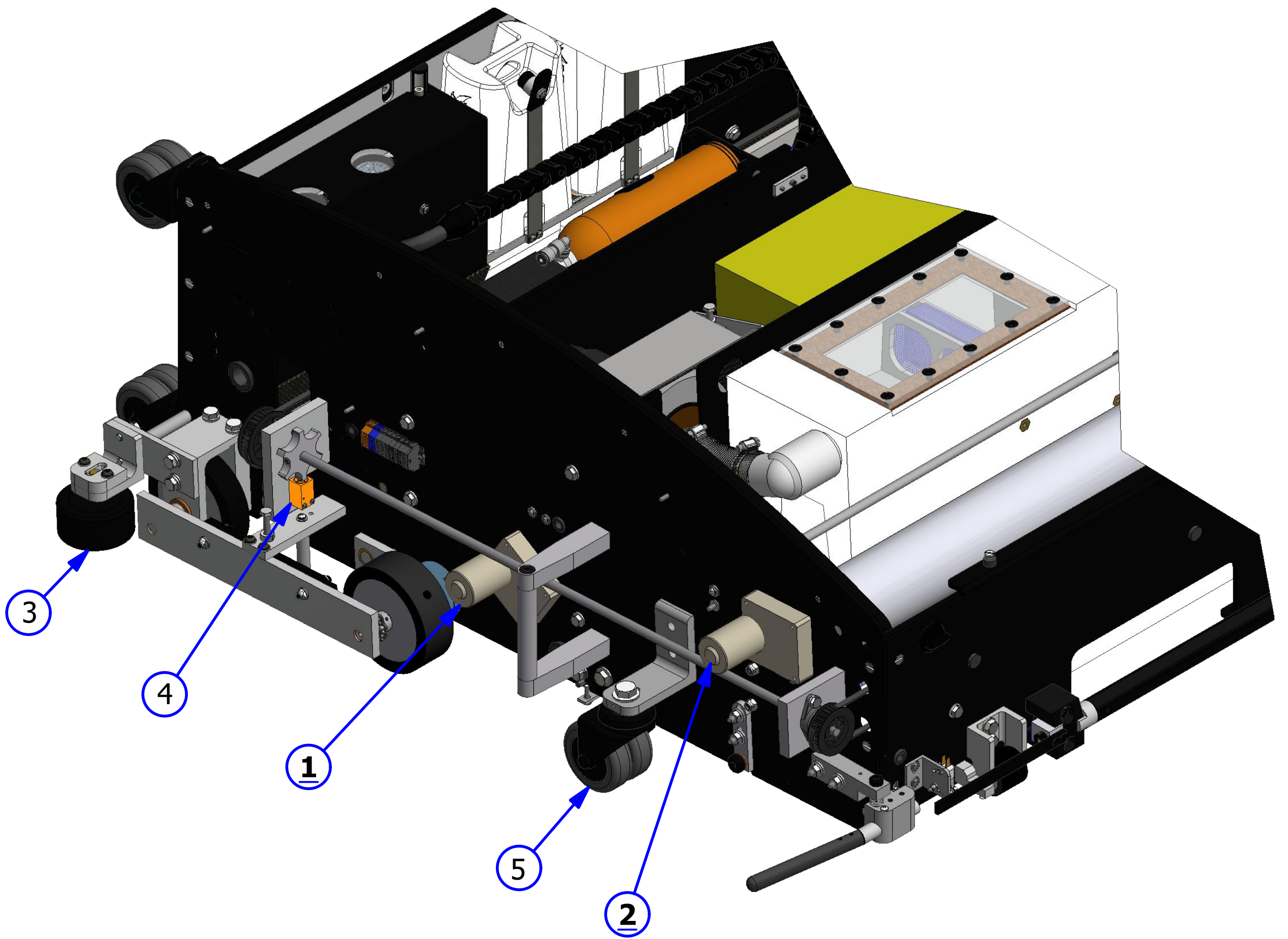
<u>INDEX NUMBER</u>	<u>QTY.</u>	<u>PART NUMBER</u>	<u>DESCRIPTION</u>	<u>UOM</u>
1	2	158-8403	ASSEMBLY - DUSTER MOTOR 24VDC	EA
2	1	164-8027	CLEANER PUMP ASSEMBLY - CONCENTRATE (UPGRADE ONLY)	EA
		164-8025	CLEANER TUBING #14 FOR SUPER CONCENTRATE	EA
		164-8026	CLEANER TUBING #16 FOR REG CONCENTRATE	EA
3	1	158-8402	BUFFER LOWERING MOTOR	EA
4	1	158-8632	HEAD DRIVE MOTOR ASSEMBLY	EA
5	2	153-0001BK	CASTER ASSEMBLY (3 INCH DUAL WHEEL)- BLACK	EA
6	1	164-9016	BUFFER BELT ASSEMBLY - STANDARD	EA
	1	164-9017	BUFFER BELT ASSEMBLY - VARIABLE BUFF UPGRADE	EA
7	2	153-7203	BUMPER WHEEL ASSEMBLY	EA
8	1	164-9005	#35 CHAIN ZTR KICKUP	EA
	1	153-9046	MASTER LINK #35 (NOT SHOWN)	EA
9	2	153-8039	BUFFER IDLER PULLEY	EA



RIGHT SIDE - FLEX WALKER

REV. 1/16

<u>INDEX NUMBER</u>	<u>QTY.</u>	<u>PART NUMBER</u>	<u>DESCRIPTION</u>	<u>UOM</u>
1	2	158-8402	SQUEEGEE/BRUSH LIFT MOTOR - 24VDC	EA
2	1	158-8403	DUSTER MOTOR ASSEMBLY - 24VDC	EA
3	1	153-7203	BUMPER WHEEL	EA
4	2	154-1220	PROXIMITY SENSOR	EA
5	2	153-0001BK	CASTER ASSEMBLY (3 INCH DUAL WHEEL)- BLACK	EA



LDS ASSEMBLY - FLEX WALKER

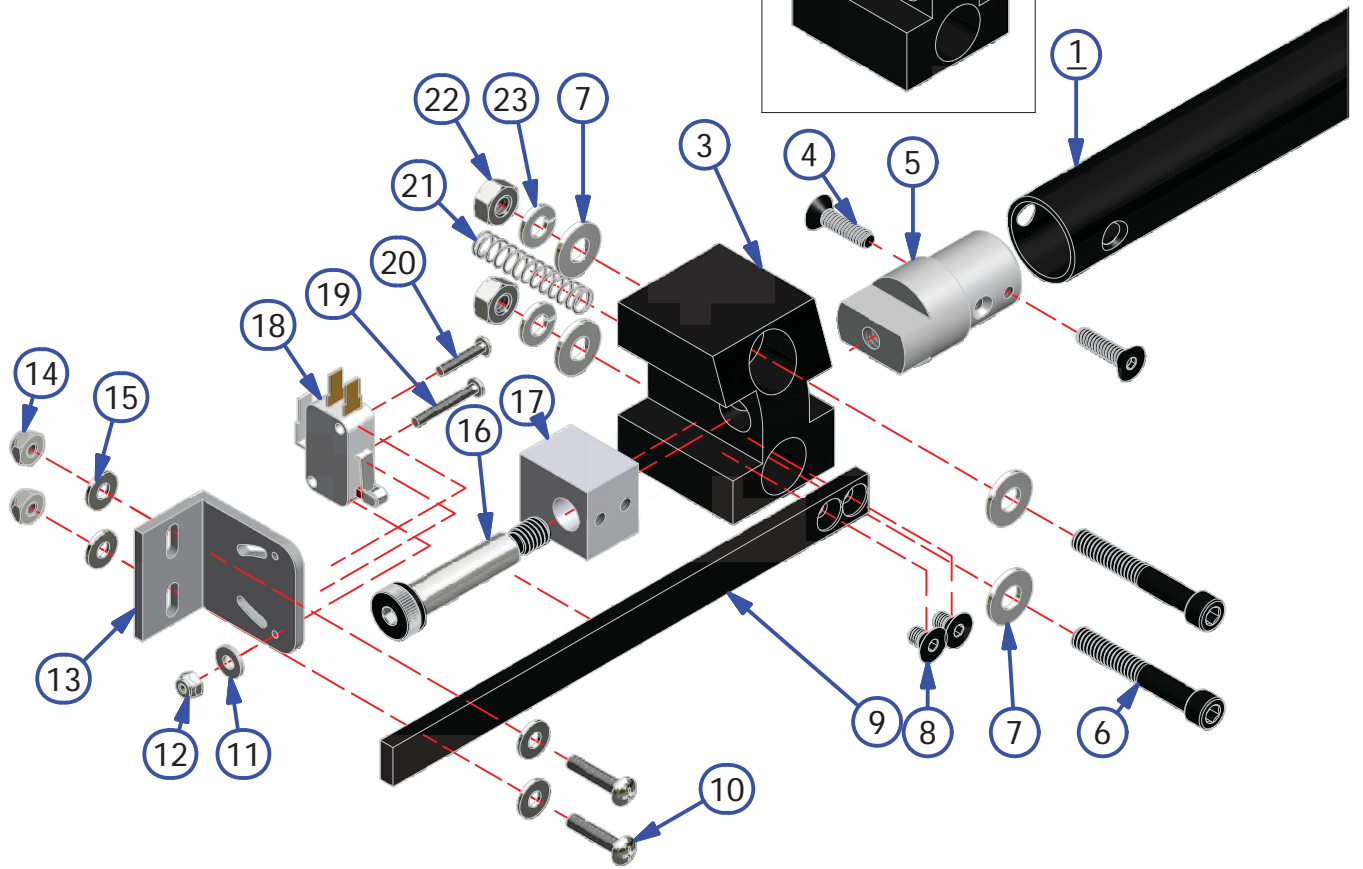
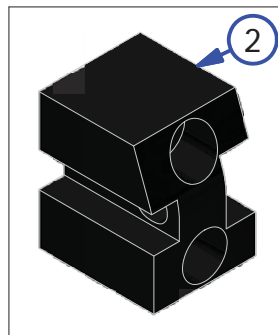
REV. 3/14

<u>INDEX</u> <u>NUMBER</u>	<u>QTY.</u>	<u>PART</u> <u>NUMBER</u>	<u>DESCRIPTION</u>	<u>UOM</u>
1	1	164-7001	LDS WHEEL ASSEMBLY	
1.1	2	153-2201	SET SCREW - 10-32 X 3/8	EA
2	1		LDS ARM ASSEMBLY	EA
2.1	2	153-9803	FLANGED BUSHING (3/8 X 1/2 X 1/4)	EA
2.2	2	154-9617	FLANGED BUSHING (3/8 x 1/2 x 3/8)	EA
3	1		FLEX LDS DISK	EA
3.1	1	153-2051	SET SCREW - 1/4-20 X 1/2	EA
4	2	154-1220	INDUCTIVE PROXIMITY SENSOR (TL-Q5MC1)	EA
5	2	153-2216A	MS PHILLIPS - 4-40 X 7/8	EA
6	1	164-6128	LDS ARM MOUNT	EA
7	1	153-2051	SET SCREW - 1/4-20 X 1/2	EA
8	1	164-6129	LDS ARM SHAFT	EA
9	1	153-2944	TORSION SPRING - RH	EA
10	1	153-2945	TORSION SPRING - LH	EA
11	1	164-6130	LDS WHEEL SHAFT	EA
12	1	153-2009	NYLON FLAT WASHER (3/8 - 0.060)	EA
13	2	153-2924	MS PHILLIPS - 1/4-20 X 3/4 TRUSS HEAD	EA
14	1	153-2121	OXIDE ALLOY STL SHCS 10-24 X 1/2	EA
15	2	153-2013	LOCK WASHER #10	EA
16	1	164-6207	BRASS THREAD ROD	EA
17	2	153-2086	MS PHILLIPS 8-32 X 5/8	EA
18	2	153-2013	LOCK WASHER #10	EA
19	2	153-2002	FLAT WASHER #8	EA
20	1	164-6205	OLS ACTUATOR MOUNT	EA
21	1	164-6206	BRASS THRU ROD	EA
22	1	153-2093	SPRING - .42 OD X .75	EA
23	1	164-2059	SHCS 10-32 X 1 1/4	EA
24	1	164-6204	OLS ACTUATOR	EA

FRONT HANDLE ASSEMBLY - FLEX WALKER

REV. 1/16

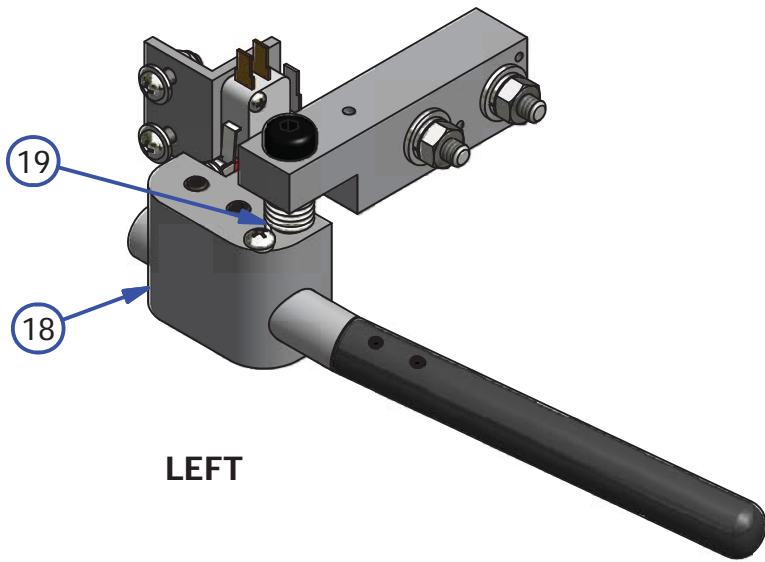
<u>INDEX</u>				
<u>NUMBER</u>	<u>QTY.</u>	<u>PART NUMBER</u>	<u>DESCRIPTION</u>	<u>UOM</u>
1	1	164-8073	FRONT HANDLE ASSEMBLY	EA
2	1	164-6069	FLEX FRONT HANDLE BLOCK (LT)	EA
3	1	164-6068	FLEX FRONT HANDLE BLOCK (RT)	EA
4	4	153-2996	SCREW - FHCS 10-24 X 3/4 BLACK OXIDE	EA
5	2	164-6072	FRONT HANDLE PLUG	EA
6	4	164-2009	SHCS-1/4-20	EA
7	8	153-2004	1/4 FLATWASHER	EA
8	4	164-2017	FHSCS-10-32 X 5/16	EA
9	2	164-6071	BUMPER ARM	EA
10	4	153-2087	MS PHILLIPS - 8-32 X 3/4	EA
11	2	153-2001	#6 FLATWASHER	EA
12	2	153-2231	LOCKNUT - 4-40	EA
13	2	164-6032	FLEX BUMPER SWITCH BRACKET	EA
14	4	153-2019	LOCKNUT - 8-32 (NYLOK)	EA
15	8	153-2002	#8 FLATWASHER	EA
16	2	164-2008	SHOULDER BOLT 3/8 X 1-1/2 5/16-18	EA
17	2	164-6070	BUMPER BAR BLOCK	EA
18	2	153-1203	MICROSWITCH W/ROLLER	EA
19	2	153-2216A	MS PHILLIPS - 4-40 X 7/8	EA
20	2	153-2216	MS PHILLIPS - 4-40 X 5/8	EA
21	2	164-2010	SPRING-0.300 OD X 1.50	EA
22	4	153-2023	1/4-20 HEX NUT	EA
23	4	153-2014	1/4 LOCKWASHER	EA



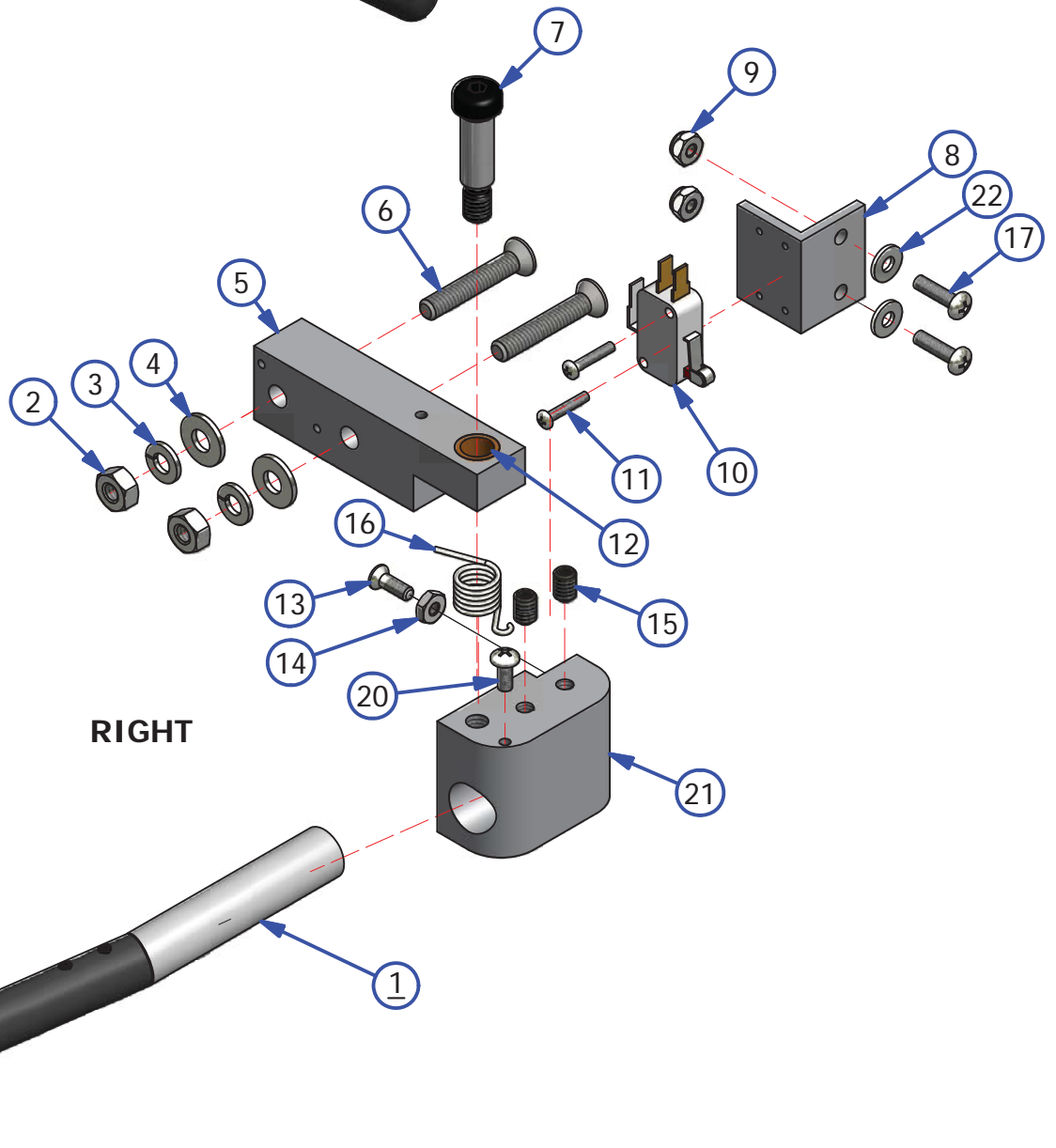
WHISKER ASSEMBLY

REV. 1/16

<u>INDEX</u> <u>NUMBER</u>	<u>QTY.</u>	<u>PART</u> <u>NUMBER</u>	<u>DESCRIPTION</u>	<u>UOM</u>
<u>1</u>	1	164-8660A	FLEX WHISKER TUBE ASSEMBLY	EA
2	4	153-2023	1/4-20 HEX NUT	EA
3	4	153-2014	1/4 LOCKWASHER	EA
4	4	153-2004	1/4 FLATWASHER	EA
5	2	158-8611	WHISKER BEARING BLOCK ASSEMBLY WITH BUSHING	EA
6	4	153-2227A	FHMS - 1/4-20 X 1-1/2	EA
7	2	153-2739	SHOULDER BOLT 3/8 IN DIA 1" LONG	EA
8	2	158-6641	WHISKER SWITCH MOUNT PLATE	EA
9	4	153-2231	LOCKNUT - 4-40	EA
10	2	153-1203	MICROSWITCH W/ROLLER	EA
11	4	153-2216A	MS PHILLIPS - 4-40 X 7/8	EA
12	2	154-9212	BUSHING ONLY	EA
13	2	153-2817	FLAT HEAD PHILLIPS - 8-32 X 1/2	EA
14	2	153-2414	HEX NUT - 8-32	EA
15	4	153-2051B	SET SCREW - 1/4-20 X 3/8	EA
16	1	153-2944	TORSION SPRING - RIGHT	EA
17	4	153-2086	MS PHILLIPS - 8-32 X 5/8	EA
18	1	164-6054	FLEX WHISKER BASE - LEFT	EA
19	1	153-2945	TORSION SPRING - LEFT	EA
20	2	153-2086A	MS PHILLIPS - 8-32 X 3/8	EA
21	1	164-6055	FLEX WHISKER BASE - RIGHT	EA
22	4	153-2002	FLAT WASHER #8	EA



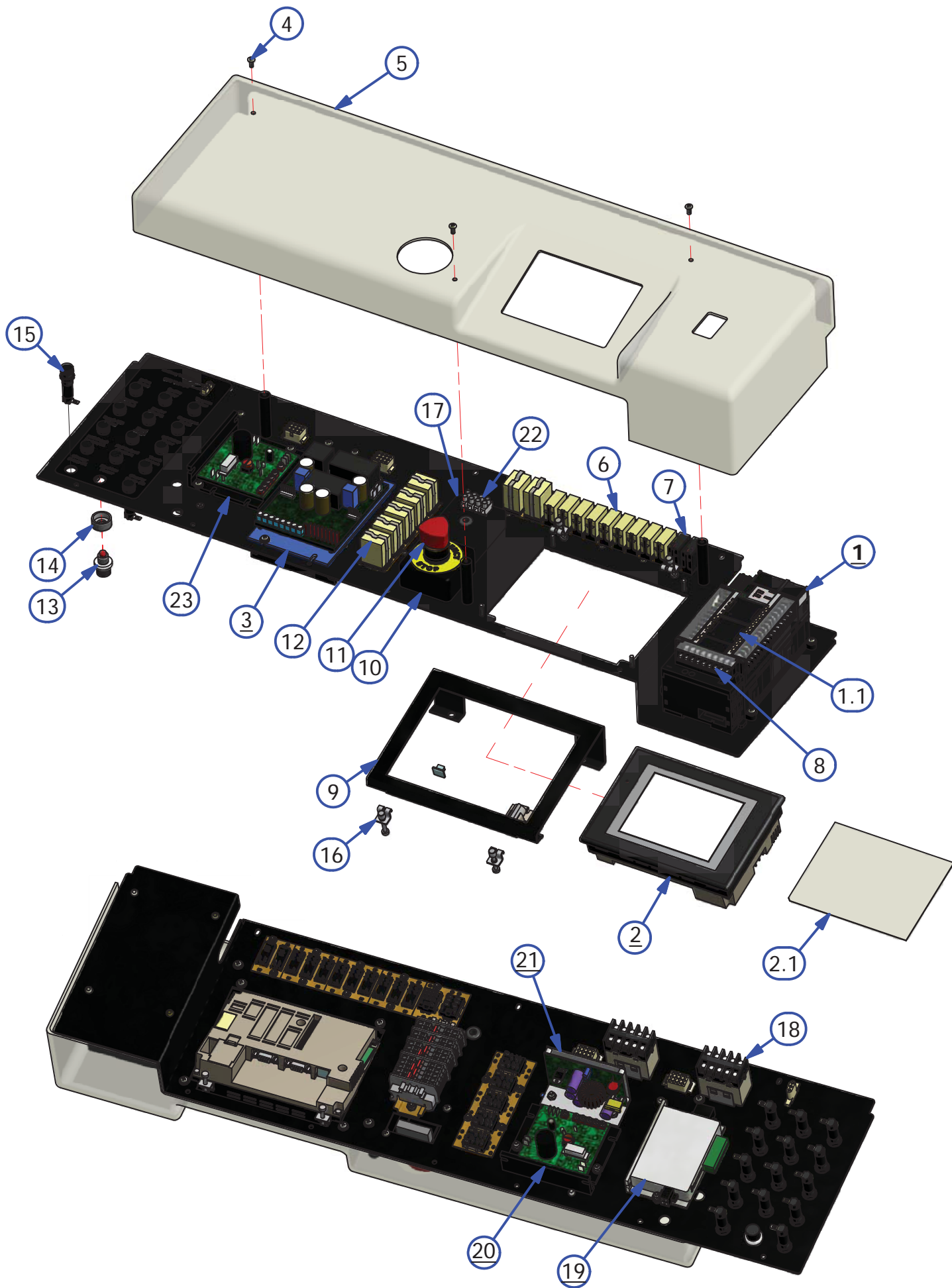
LEFT



RIGHT

PLC PLATE ASSEMBLY

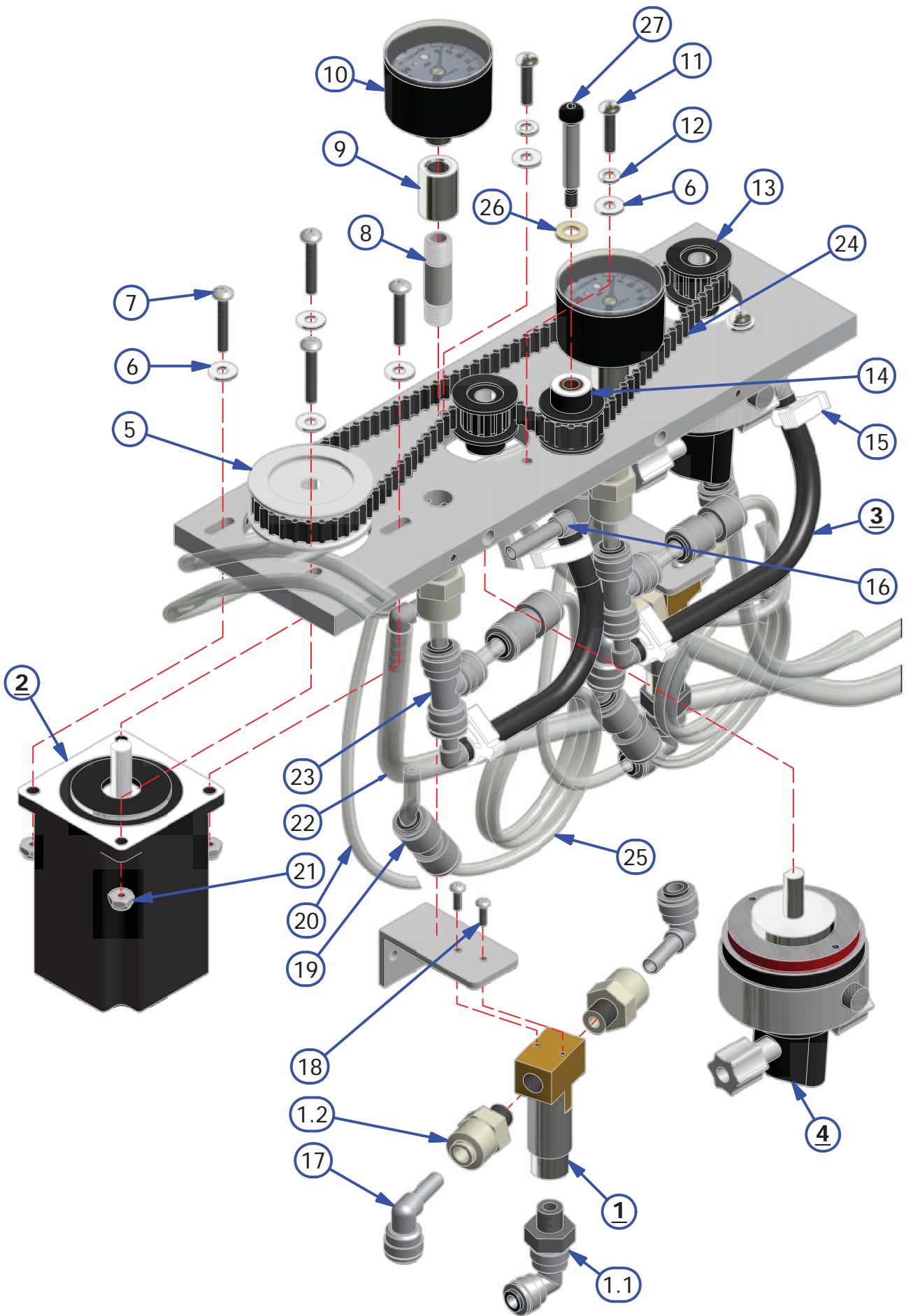
<u>INDEX NUMBER</u>	<u>QTY.</u>	<u>PART NUMBER</u>	<u>DESCRIPTION</u>	<u>UOM</u>
1	1	158-1610P	PLC FOR FLEX - SPECIFY SOFTWARE VERSION	EA
1.1	1	158-1610S	SERIAL CONVERTER FOR FLEX	EA
	1	158-1610D	CABLE TO TOUCHSCREEN - 24IN (NOT SHOWN)	EA
2	1	164-8011	TOUCH SCREEN ASSEMBLY	EA
2.1	1	158-1612	SCREEN PROTECTOR	EA
3	1	164-8010	SPEED CONTROL ASSEMBLY - DRIVE	EA
4	7	153-2086A	MS PHILLIPS - 8-32 X 3/8	EA
5	1	164-6062	CLEAR PC PLATE COVER	EA
6	6	158-1458	RELAY - OMRON 24DC DPDT GENERAL PURPOSE	EA
6.1	6	164-1204	RELAY BASE FOR RELAY 158-1458	EA
7	2	158-1460	RELAY SOLID STATE	EA
7.1	2	164-1206	RELAY BASE FOR RELAY 154-1460	EA
8	1	164-1217	ANALOG OUTPUT (Buffer and/or Cleaner Upgrade only)	EA
9	1	164-6730	TOUCH SCREEN MOUNT	EA
10	1	164-6161	E-STOP BOX	EA
11	1	164-1223	E-STOP SWITCH ASSEMBLY	EA
11.1	1	164-1223B	BREAKER FOR ESTOP	EA
12	6	158-1462	24 V RELAY DPDT 10A W/DIODE	EA
12.1	6	164-1203	RELAY BASE FOR RELAY 158-1462	EA
13	1	153-1408	PUSH BUTTON (RED = NORMALLY OPEN)	EA
14	1	153-1209	BUTTON GUARD	EA
15	14	153-1028	PANEL-MOUNT FUSE HOLDER - UL (COMPLETE)	EA
16	4	158-1610TC	TOUCH SCREEN MOUNT CLIP	EA
17	1	158-6666	RESISTANCE ADJUSTMENT BOX - MODIFIED	EA
18	2	158-1465	CONTACTOR 24VDC	EA
19	1	158-1605	STEPPER SPEED CONTROL BOARD	EA
20	1	158-8415	SPEED CONTROL BOARD - CLEANER	EA
21	1	164-8028	CVR ASSEMBLY - VARIABLE BUFF ONLY	EA
21.1	1	158-1433A	CVR ASSEMBLY ALL	EA
22	1	158-1611	MOLEX TERMINAL BLOCK	EA
22.1	1	158-8619W	RESISTANCE WIRE ASSY - 22AWG	EA
23	1	164-8225	SPEED CONTROL ASSEMBLY - BUFFER DRIVE	EA
NOT SHOWN	1	164-8224	BLUETOOTH DEVICE	EA
		164-1239	COMMUNICATION CABLE	EA



OIL VALVE ASSEMBLY

REV. 2/16

<u>INDEX</u> <u>NUMBER</u>	<u>QTY.</u>	<u>PART</u> <u>NUMBER</u>	<u>DESCRIPTION</u>	<u>UOM</u>
1	2	154-1209	OIL CONTROL VALVE - 24VDC	EA
1.1	2	154-0613	ELBOW - 1/8 NPT X 3/16 TUBE	EA
1.2	4	154-0224	MALE CONNECTOR - 1/4" TUBE X 1/8 NPT	EA
2	1	158-8632	OIL STEPPER MOTOR ASSEMBLY	EA
3	2	164-8021	FLEX PULSE SUPPRESSION TUBE	EA
4	2	154-1214	FLUID METERING PUMP-0.05 ML/STROKE	EA
5	1	158-9403	PULLEY - 26XL037 X 5/16" BORE	EA
6	8	153-2002	#8 FLATWASHER	EA
7	4	153-2089	MS PHILLIPS - 8-32 X 1	EA
8	2	164-0207	PIPE NIPPLE - THREADED BLK - 1/8 X 1 1/2	EA
9	2	154-0230	IN-LINE COUPLER (1/8 NPT) FLOAT	EA
10	2	158-1613	PRESSURE GAUGE - 60PSI	EA
11	4	153-2087	MS PHILLIPS - 8-32 X 3/4	EA
12	4	153-2013	#10 LOCKWASHER	EA
13	2	154-9208	PULLEY - 12XL - 5/16" BORE W/SET SCREW	EA
14	1	164-8029	OIL PUMP IDLER ASSEMBLY	EA
15	4	164-2046	HOSE CLAMP	EA
16	6	154-0226	ELBOW - TUBE TO HOSE BARB (1/4 X 1/4 ID)	EA
17	4	154-0222	ELBOW - 1/4" STEM X 1/4" TUBING OD	EA
18	4	153-2504	MS PHILLIPS - 4-40 X 3/8	EA
19	6	154-0248	REDUCING UNION CONNECTOR-1/4" X 3/16"	EA
20	1	154-0202A	PENCIL TUBING STOCK 1/4OD X 1/8ID	IN
21	4	153-2019	LOCKNUT - 8-32 (NYLON)	EA
22	1	154-0202	PENCIL TUBING STOCK 3/8OD X 1/4ID	IN
23	2	153-0815	UNION TEE (1/4 X 1/4 X 1/4 - QUICK DISC)	EA
24	1	164-9008	TIMING BELT DOUBLE SIDED (220XL038	EA
25	1	154-0202B	PENCIL TUBING STOCK - 3/16 OD X 1/16 ID	IN
26	1	153-2510	NYLON WASHER - 1/4	EA
27	1	153-2803	SHOULDER BOLT - 1/4 X 1-1/4 (10-24)	EA



SUB TANK CARTRIDGE ASSEMBLY

REV. 5/16

<u>INDEX</u> <u>NUMBER</u>	<u>QTY.</u>	<u>PART</u> <u>NUMBER</u>	<u>DESCRIPTION</u>	<u>UOM</u>
1	2	164-8015	FLEX 1.5L CARTRIDGE	EA
	1	164-8015A	CARTRIDGE ONLY (NO PLUNGER ASSEMBLY)	EA
2.1	1	164-6015A	FLEX CONDITIONER SUB TANK A	EA
2.2	1	164-6015B	FLEX CONDITIONER SUB TANK B	EA
2.3	2	154-0212	CONDITIONER TANK FILTER ASSEMBLY	EA
3	2	154-8693	FLOAT SWITCH ASSEMBLY	EA
4	2	164-8007	OIL VENT VALVE ASSEMBLY	EA
5	1	164-6124	OIL PLATE ASSEMBLY	EA
6	2	153-2019	LOCKNUT - 8-32 (NYLOK)	EA
7	2	153-2806	FLAT HEAD PHILLIPS - 8-32 X 5/8	EA
8	1	164-6122	OIL PLATE MOUNT	EA
9	1	164-2016	THUMB SCREW - KNURLED HEAD	EA
10	2	164-6173	VALVE O-RING	EA
11	2	164-8015P	CARTRIDGE VALVE ASSY	EA
12	2	164-0004	FLEX CARTRIDGE CAP 38MM W/ HOLE	EA
13	2	164-6079	1.125 O-RING	EA
14	6	153-2605	MS PHILLIPS - 10-32 X 1/2 (SELF-TAP)	EA
15	6	153-2013	#10 LOCKWASHER	EA
16	6	153-2003	#10 FLATWASHER	EA
17	1	164-6113	CONDITIONER TANK MOUNT	EA
18	4	164-6153	CARTRIDGE RETAINER	EA
19	8	153-2086A	MS PHILLIPS - 8-32 X 3/8	EA
20	2	164-2044	STANDOFF FEMALE THREADED 8-32 X 3/8	EA
21	2	164-8086	SUB TANK PLUG	EA
22	2	153-2817	FLAT HEAD PHILLIPS - 8-32 X 1/2	EA
23	4	154-0223	ELBOW (90 DEGREE) - 1/4 NPT X 1/4" TUBE	EA
24	1	154-0225	ELBOW - 3/8 TUBE OD X 1/4 NPT	EA
25	1	154-0258	ELBOW - 3/8 STEM X 3/8 TUBE	EA
26	1	162-2013	FENDER WASHER 1/4 X 7/8	EA
27	1	153-2014	LOCK WASHER 1/4	EA
28	2	164-2052	RUBBER BUMPER	EA
29	2	164-6167	RUBBER BUMPER STANDOFF	EA
30	2	164-2053	RECTANGLE CAP	EA
31	2	153-2035	BLIND RIVET WASHER - 3/16	EA
32	2	153-2541	MS PHILLIPS - 8-32 X 1/2	EA
33	1	164-8020	CARTRIDGE CLAMP ASSEMBLY (SET OF 2)	EA
34	2	164-6168	SPRING STEEL SPACER	EA
35	4	153-2533	INTERNAL TOOTH LOCK WASHER - #8	EA
36	6	153-2086	MS PHILLIPS - 8-32 X 5/8	EA
37	1	154-0814	FITTING - 1/4 NPT X 3/8 TUBE	EA

OIL HEAD ASSEMBLY

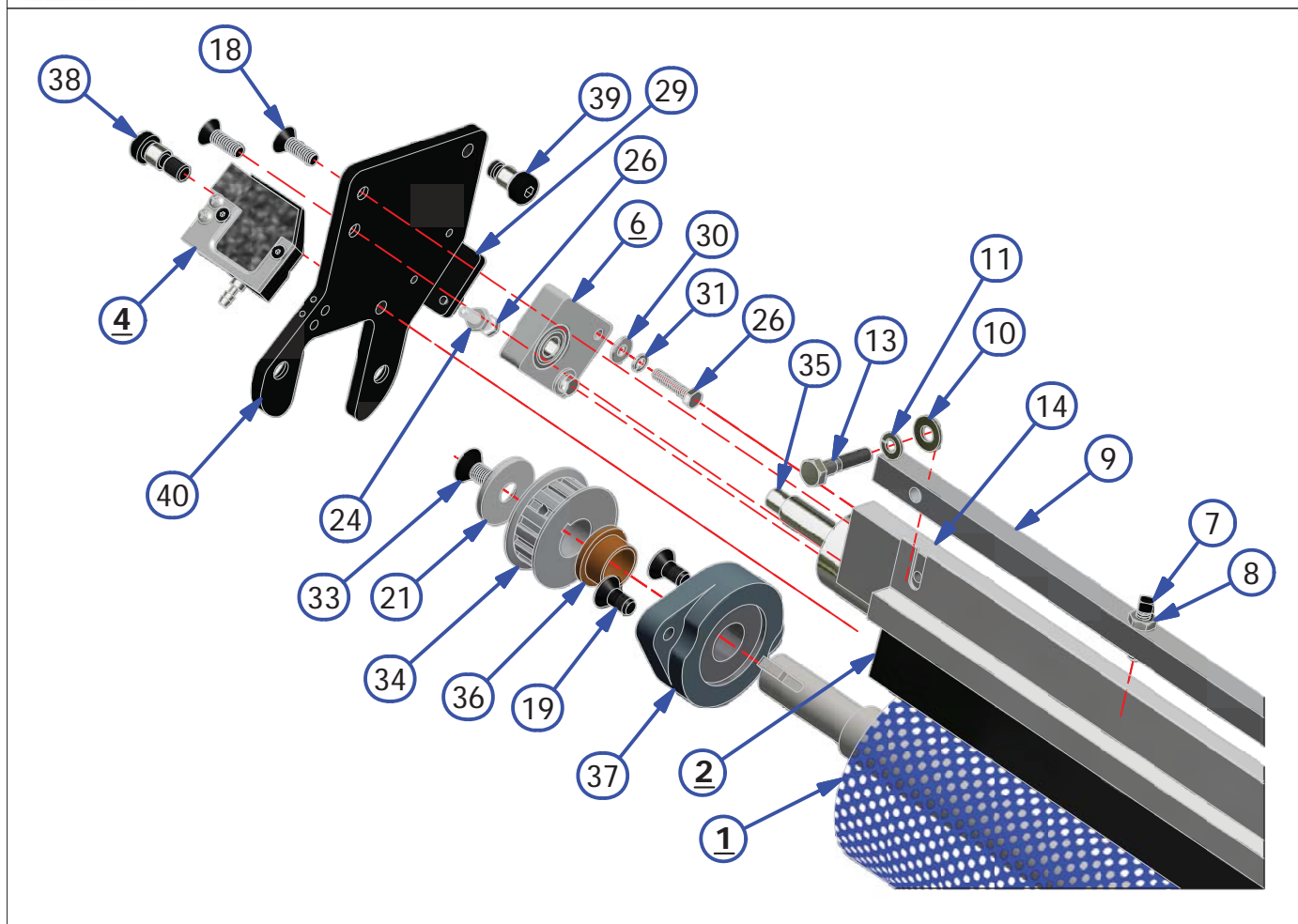
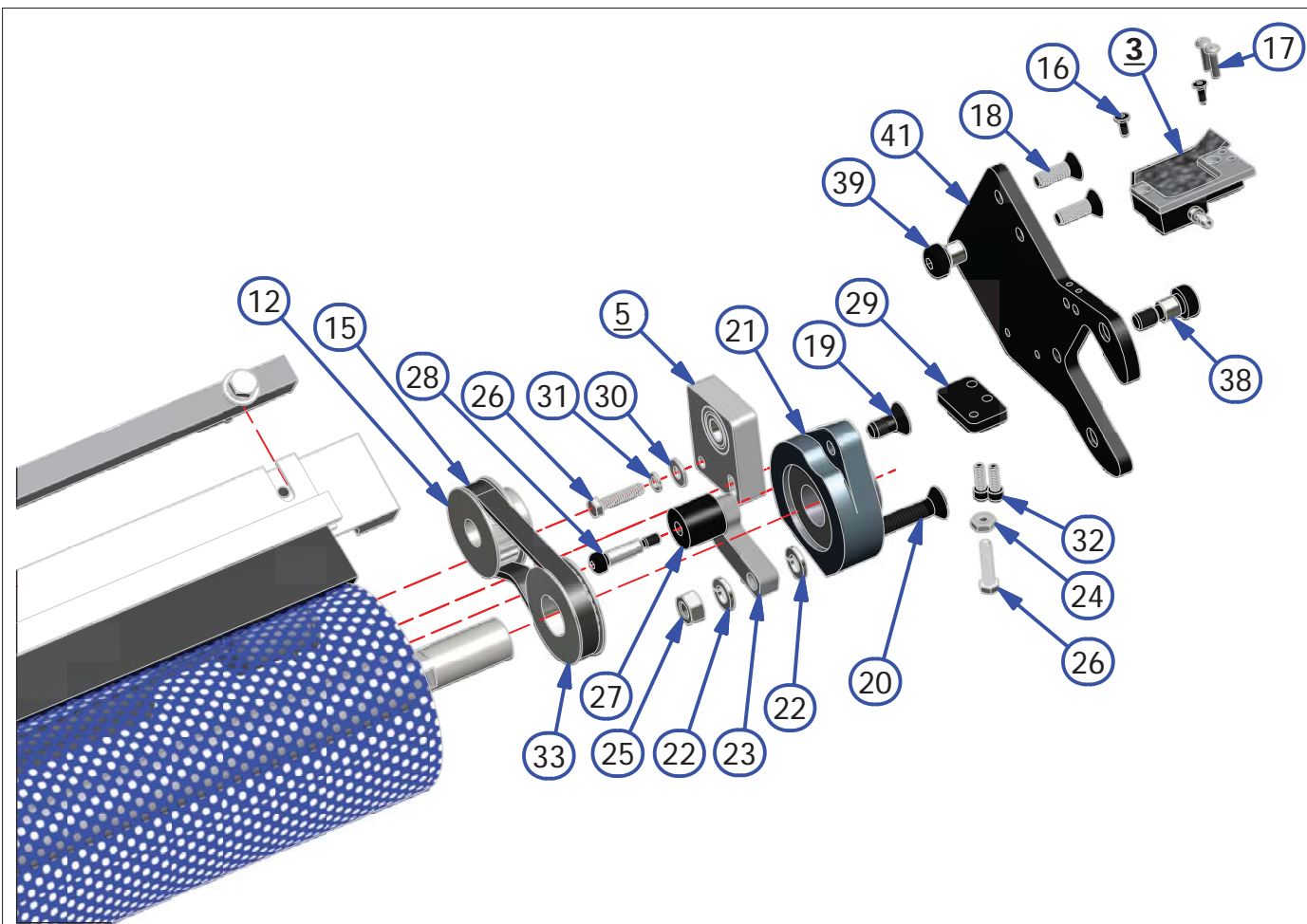
REV. 2/16

<u>INDEX</u> <u>NUMBER</u>	<u>QTY.</u>	<u>PART</u> <u>NUMBER</u>	<u>DESCRIPTION</u>	<u>UOM</u>
1	1	164-8051	DUAL OIL TIP WITH FITTINGS	EA
2	1	164-6046	FLEX HEAD BAR SUPPORT	EA
3	1	164-6104	OIL TIP HOSE ANGLE	EA
4	5	153-2806	FLAT HEAD PHILLIPS - 8-32 X 5/8	EA
5	4	153-2231	LOCKNUT - 4-40	EA
6	4	153-2724	FHMS PHILLIPS - 4-40 X 1/2	EA
7	1	164-8023	OIL TUBE SLEEVE	EA
8	1	154-9201	BELT FOR HEAD DRIVE	EA
9	1	153-2937	SHAFT COLLAR 3/4" ID	EA
10	1	153-2972	THREADED PIN 1/4-20 FOR TIP AND HOSE ASSY	EA
11	1	164-6156	OIL TIP TUBE	EA
12	1	164-6102	LEFT HEAD BAR MOUNT	EA
13	2	153-2987	SCREW 6-32 X 3/8 SHCS	EA
14	1	164-6111	FLEX OIL HEAD ASSY	EA
15	3	153-2702	FHMS - 1/4-20 X 1 SELF-LOCKING	EA
16	1	154-6647A	SLIDING HEAD BAR (3/8) - STANDARD	EA
17	1	164-2016	THUMB SCREW - KNURLED HEAD	EA
18	2	154-1220	PROXIMITY SENSOR	EA
19	1	164-6103	RIGHT HEAD BAR MOUNT	EA
20	4	153-2216A	MS PHILLIPS - 4-40 X 7/8	EA
21	1	165-9009	FLEX-CABLE CARRIER	EA

OIL TRANSFER ASSEMBLY

REV. 3/16

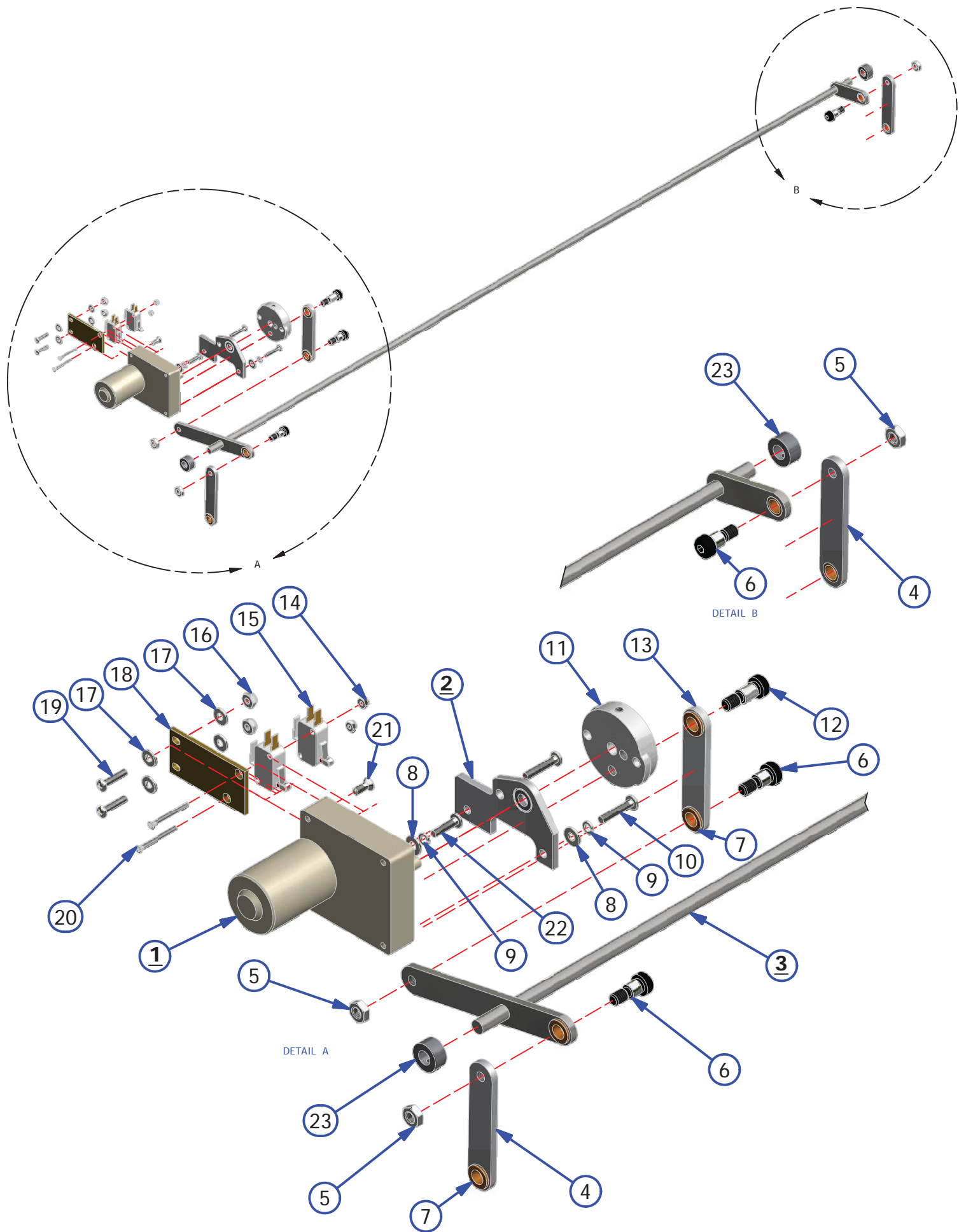
<u>INDEX</u> <u>NUMBER</u>	<u>QTY.</u>	<u>PART</u> <u>NUMBER</u>	<u>DESCRIPTION</u>	<u>UOM</u>
1	1	164-8001A	BUFFER BRUSH ASSEMBLY	EA
2	1	164-0866	SINGLE LONG BRUSH ASSEMBLY (TRANSFER BRUSH)	EA
3	1	164-8019	FLEX RIGHT DRIP PAD ASSEMBLY	EA
	1	154-0228S	FELT MATERIAL	EA
4	1	164-8018	FLEX LEFT DRIP PAD ASSEMBLY	EA
	1	154-0228S	FELT MATERIAL	EA
5	1	164-8045	BEARING MOUNT ASSEMBLY - RIGHT	EA
5.1	1	153-2309	BEARING ASSEMBLY 3/8 SHAFT	EA
6	1	164-8046	BEARING MOUNT ASSEMBLY - LEFT	EA
6.1	1	153-2309	BEARING ASSEMBLY 3/8 SHAFT	EA
7	4	153-2306	CUP POINT SQ HEAD SET SCREW 1/4-20 X 1	EA
8	4	153-2304	JAM NUT - 1/4-20	EA
9	1	158-6735	BRUSH TRACK MOUNT SUPPORT	EA
10	5	153-2004	1/4 FLATWASHER	EA
11	5	153-2014	1/4 LOCKWASHER	EA
12	1	154-9205D	PULLEY 24XL037 3/8 BORE	EA
13	5	153-2054	HHCS - 1/4-20 X 1-1/4	EA
14	1	158-6732	SINGLE BRUSH TRACK MOUNT	EA
15	1	154-9203	BELT FOR TRANSFER ROLLER	EA
16	4	153-2831	SCREW - 6/32 X 3/8 FHCS	EA
17	4	153-2081	MS PHILLIPS - 6-32X 1/2"	EA
18	4	153-2968	SCREW - 1/4-20 X 3/4 FHSKCS	EA
19	2	153-2802	FHSS - 5/16-18 X 5/8	EA
20	1	153-2513	FHSS - 5/16-18 X 1-1/2	EA
21	1	154-8640	FLANGED BEARING-STD BRUSH (3/4" ROTATED)	EA
22	2	153-2015	5/16 LOCKWASHER	EA
23	1	164-6051	TRANSFER ROLLER IDLER BELT BLOCK	EA
24	2	153-2022	HEX NUT - 10-24	EA
25	1	153-2024	HEX NUT - 5/16-18	EA
26	6	153-2955	10-24 x 7/8 HEX HEAD MACHINE SCREW	EA
27	1	158-6742	TRANSFER ROLLER BELT IDLER ROLLER	EA
28	1	153-2308	HEXAGON SOCKET HEAD SHOULDER SCREW	EA
29	2	164-6052	TRANSFER ROLLER ADJUSTMENT PLATE	EA
30	2	153-2035	BLIND RIVET WASHER - 3/16	EA
31	4	153-2013	#10 LOCKWASHER	EA
32	4	153-2999	SCREW - SHCS 8-32 X 1/2 BLACK OXIDE	EA
33	1	164-9007	PULLEY 24XLO37 3/4 BORE NO HUB NO KWY	EA
34	1	158-9402	PULLEY FOR BUFFER BRUSH ASSEMBLY	EA
35	1	164-8008	TRANSFER ROLLER ASSEMBLY	EA
36	1	158-9601	FLANGED BUSHING	EA
37	1	153-9816	FLANGED BUFFER BRUSH BEARING ASSEMBLY	EA
38	2	153-2801	SHOULDER BOLT - 3/8 X 3/8 (5/16-18)	EA
39	2	153-2801A	SHOULDER BOLT CUT - 3/8 X 3/8 (5/16-18)	EA
40	1	164-6013	LEFT BEARING MOUNT	EA
41	1	164-6014	RIGHT BEARING MOUNT	EA



BRUSH LIFT ROD ASSEMBLY

REV. 2/16

<u>INDEX</u> <u>NUMBER</u>	<u>QTY.</u>	<u>PART</u> <u>NUMBER</u>	<u>DESCRIPTION</u>	<u>UOM</u>
1	1	158-8402	MOTOR ASSEMBLY - 24VDC	EA
2	1	158-8634	SQUEEGEE/BRUSH MOUNT PLATE ASSEMBLY	EA
	1	158-9614	BALL BEARING MINITURE	EA
3	1	164-8218	FLEX BRUSH LIFT ROD - 2016	EA
4	2	164-6011	FLEX BRUSH LIFT ROD TO BEARING LINK	EA
5	3	153-2027A	JAM NUT - 5/16-18	EA
6	5	153-2801	SHOULDER BOLT-3/8 X 3/8 (5/16-18)	EA
7	6	153-9803	FLANGED BUSHING (3/8 X 1/2 X 1/4)	EA
8	3	153-2003	#10 FLATWASHER	EA
9	3	153-2013	#10 LOCKWASHER	EA
10	2	153-2092	MS PHILLIPS - 10-32 X 1	EA
11	1	154-6243	MOTOR CAM-DUAL LOBES (STACKED SWITCHES)	EA
12	1	153-2515	SHOULDER BOLT - 3/8 X 1/2 (5/16-18)	EA
13	1	164-6012	FLEX BRUSH LIFT ROD TO CAM LINK	EA
14	2	153-2231	LOCKNUT - 4-40	EA
15	2	153-1203	MICROSWITCH W/ROLLER	EA
16	2	153-2019	LOCKNUT - 8-32 (NYLOK)	EA
17	4	153-2002	#8 FLATWASHER	EA
18	1	154-6824	CAM SWITCH PLATE	EA
19	2	153-2086	MS PHILLIPS - 8-32 X 5/8	EA
20	2	153-2727	4-40 X 1-1/4 FHMS	EA
21	1	153-2817	FLAT HEAD PHILLIPS - 8-32 X 1/2	EA
22	1	153-2091	MS PHILLIPS - 10-32 X 3/4	EA
23	2	153-2804	COLLAR - 3/8 X 3/4 X 3/8	EA



CLEANER TANK ASSEMBLY

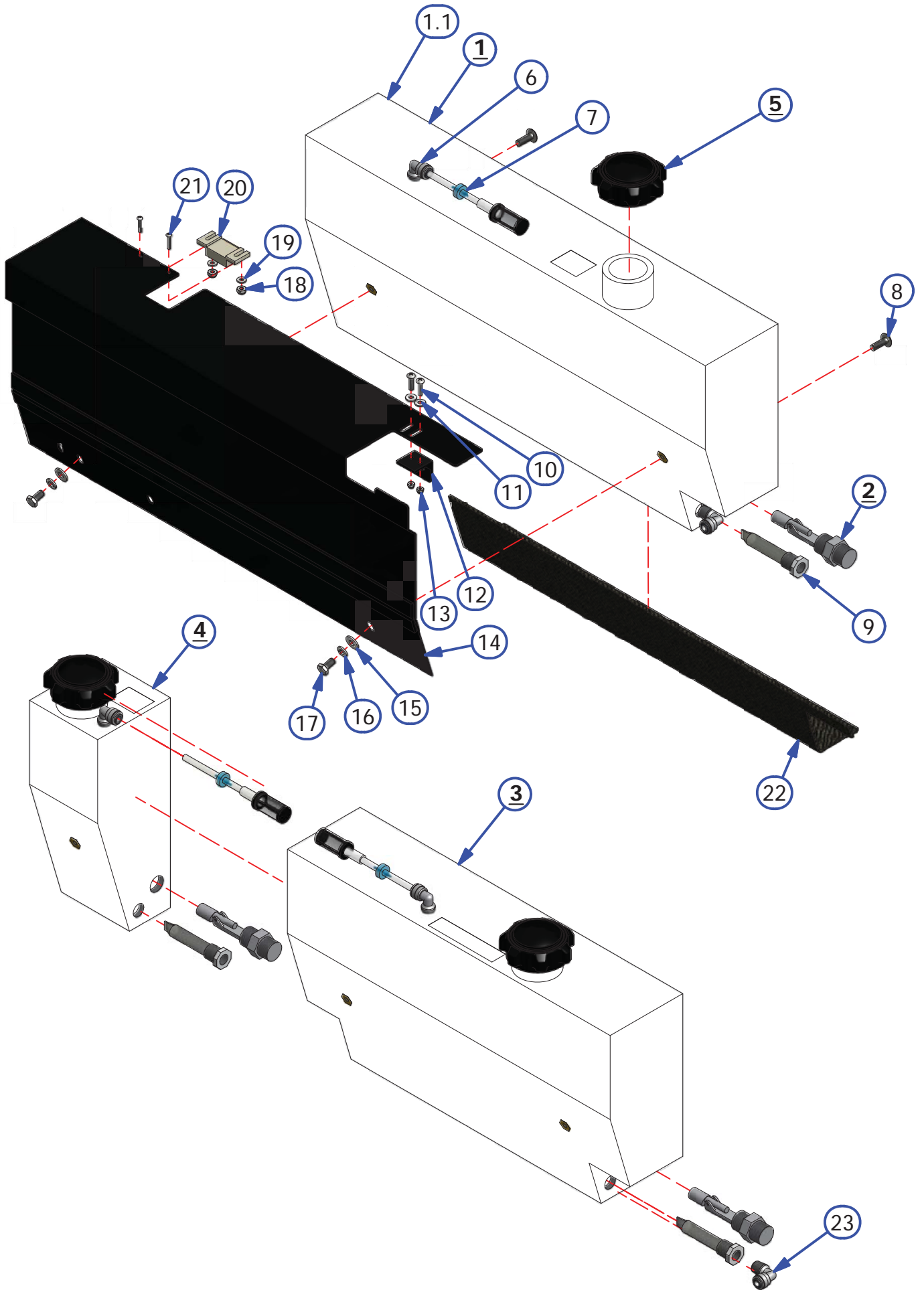
REV. 9/14

<u>INDEX</u> <u>NUMBER</u>	<u>QTY.</u>	<u>PART</u> <u>NUMBER</u>	<u>DESCRIPTION</u>	<u>UOM</u>
1	1	164-8042	CLEANER SUPPLY TANK (COMPLETE)	EA
1.1	1	164-6016	CLEANER SUPPLY TANK ONLY	EA
2	1*	154-8693	CLEANER SUPPLY TANK FLOAT ASSEMBLY	EA
3	1	164-8041	FLEX UPGRADED WATER TANK ASSEMBLY (COMPLETE)	EA
3.1	1	164-6740	UPGRADED WATER TANK (TANK ONLY)	EA
4	1	164-8043	FLEX UPGRADED CLEANER TANK ASSEMBLY (COMPLETE)	EA
4.1	1	164-6741	UPGRADED CLEANER TANK (TANK ONLY)	EA
5	1*	164-8081	SUPPLY TANK CAP WITH GASKET	EA
5.1	1*	164-0021	GASKET FOR SUPPLY TANK CAP	EA
6	1	154-0223	ELBOW (90 DEGREE) 1/4NPT X 1/4IN TUBING	EA
7	1	154-8817	VENT VALVE ASSEMBLY	EA
8	2	153-2924	MS PHILLIPS - 1/4-20 X 3/4	EA
9	1*	154-0212B	FILTER ASSEMBLY FOR SUPPLY TANK	EA
10	2	153-2086	MS PHILLIPS - 8/32 X 5/8	EA
11	2	153-2002	FLAT WASHER #8	EA
12	1	154-6827M	MOUNTING ANGLE - MOLDED PLASTIC	EA
13	2	153-2231	LOCKNUT - 4-40	EA
14	1	164-8078	SPLASH GUARD (SPECIFY COLOR)	EA
15	2	153-2004	FLAT WASHER 1/4	EA
16	2	153-2014	LOCK WASHER 1/4	EA
17	2	153-2726	1/4-20 X 1/2 HHCS	EA
18	2	153-2019	LOCKNUT - 8-32 (NYLOK)	EA
19	2	153-2001	FLAT WASHER #6	EA
20	1	154-0609	MAGNETIC CATCH / PLATE ASSEMBLY	EA
21	2	153-2216	MS PHILLIPS 4-40 X 5/8	EA
22	1	164-8212	FELT KIT - 24" X 1/8 48" X 9" X 1/8"	IN



TECHNICAL NOTE

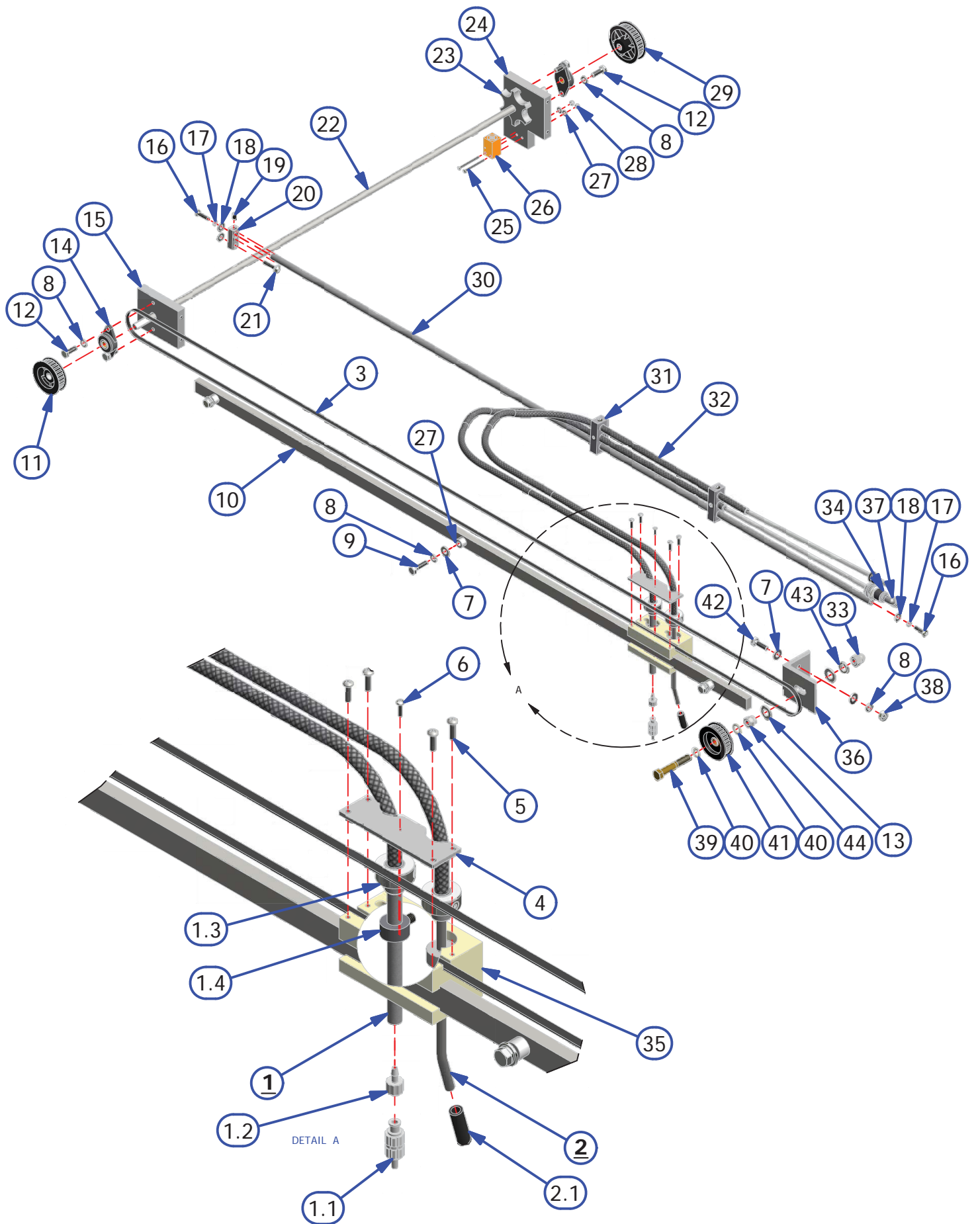
*FOR MACHINES WITH THE UPGRADED CLEANING SYSTEM, THESE PARTS ARE QUANTITY OF TWO.



CLEANER HEAD ASSEMBLY

REV. 3/16

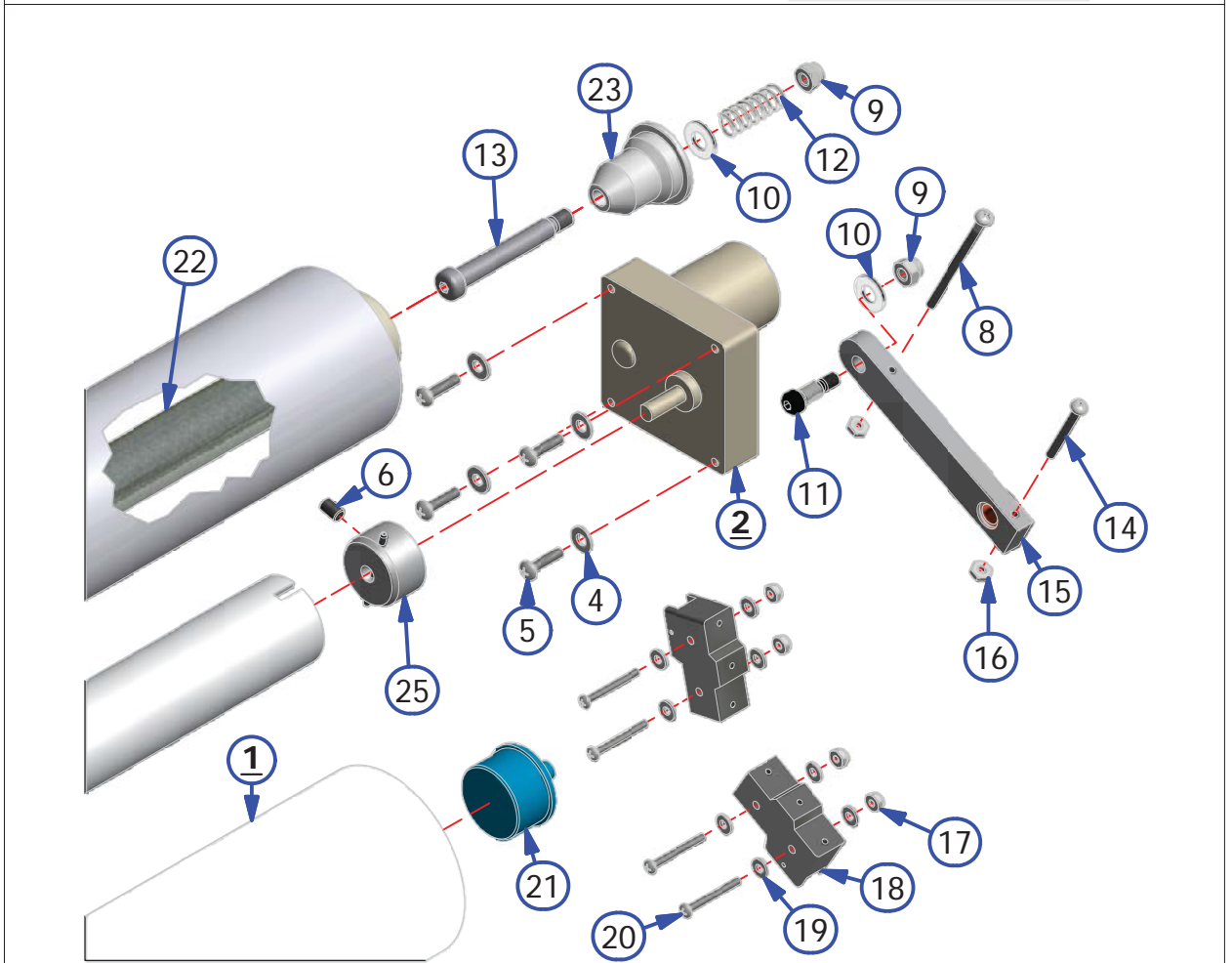
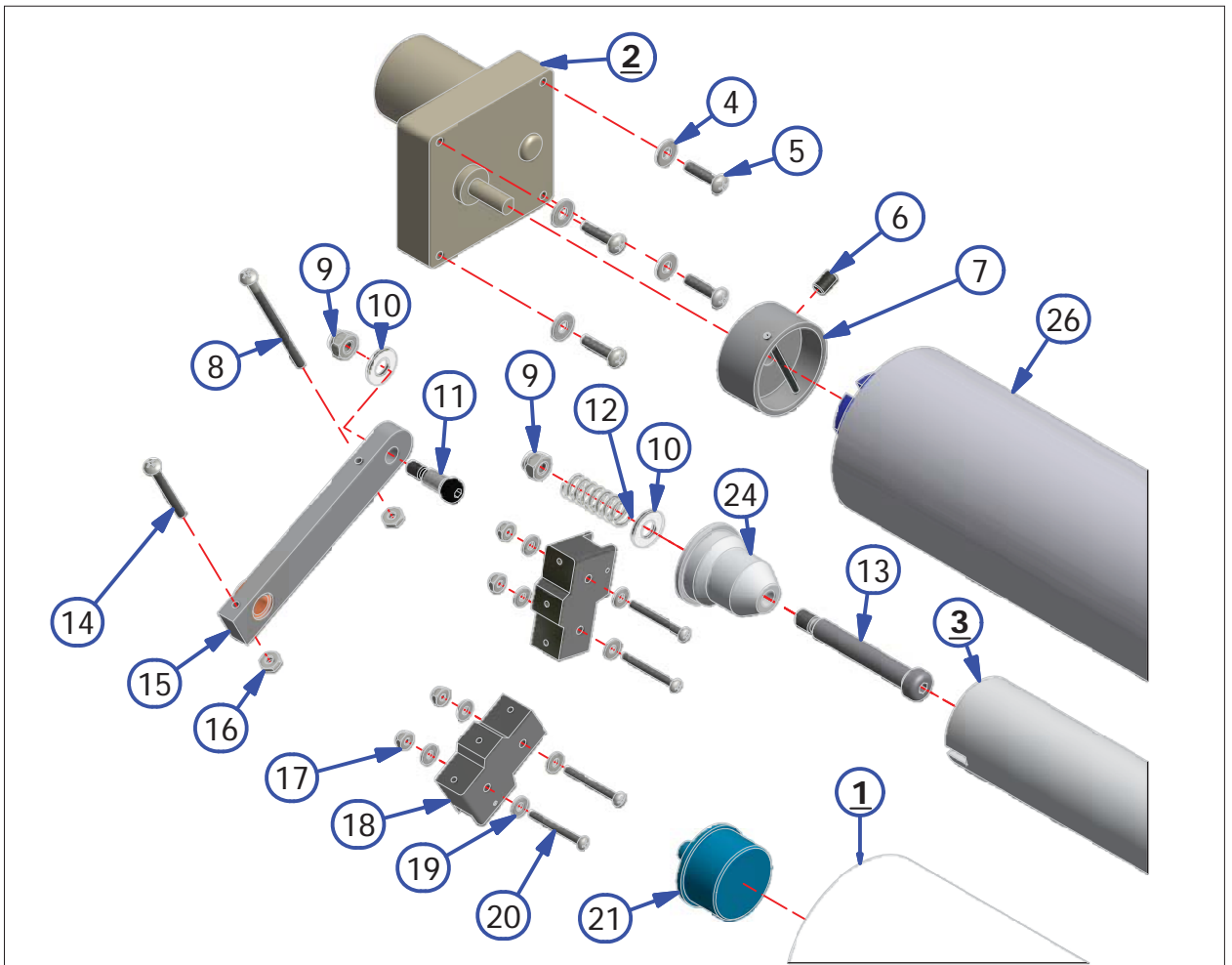
<u>INDEX</u> <u>NUMBER</u>	<u>QTY.</u>	<u>PART</u> <u>NUMBER</u>	<u>DESCRIPTION</u>	<u>UOM</u>
1	1	154-8852	CLEANER HOSE AND TIP ASSEMBLY (COMPLETE)	EA
1.1	1	164-0012M	CLEANER TIP WITH CHECK VALVE	EA
1.2	1	154-0863	FITTING - MALE LUER TO 1/8 IN HOSE BARB	EA
1.3	1	153-2713	SPRING - TIP RETAINER	EA
1.4	1	153-2804	COLLAR - 3/8 X 3/4 X 3/8	EA
1.5	1	153-2902	COLLAR - 1/2 X 1 1/8 X 1/2	EA
2	1	164-8228	PINDECK TREATMENT TIP ASSEMBLY	EA
2.1	1	164-2067	PINDECK TREATMENT TIP COVER	EA
3	1	154-9201	HEAD DRIVE BELT ASSEMBLY	EA
4	1	164-6230	CLEANER HEAD BELT MOUNT	EA
5	4	153-2081	MS PHILLIPS - 6-32 X 1/2	EA
6	1	153-2504	MS PHILLIPS - 4-40 X 3/8	EA
7	1	153-2004	FLAT WASHER	EA
8	1	153-2014	LOCKWASHER - 1/4	EA
9	1	153-2053	HHCS - 1/4 X 1"	EA
10	1	154-6877	CLEANER HEAD GUIDE BAR	EA
11	1	154-9205B	PULLEY (28XL 3/8 BORE)	EA
12	1	153-2603	HHCS 1/4-20 X 3/4	EA
13	1	153-2006	FLAT WASHER 3/8	EA
14	2	154-9804	FLANGED BEARING FOR CLEANER DRIVE SHAFT	EA
15	1	154-6878	CLEANER HEAD DRIVE SHAFT BLOCK	EA
16	4	153-2091	MS PHILLIPS - 10-32 X 3/4	EA
17	4	153-2013	LOCK WASHER #10	EA
18	4	153-2003	FLAT WASHER #10	EA
19	2	153-2051A	SET SCREW - 1/4-20 X 1/4	IN
20	1	164-6090	CLEANER HOSE SHAFT MOUNT	EA
21	2	153-2092	MS PHILLIPS - 10-32 X 1	EA
22	1	164-6047	FLEX CLEANER HEAD DRIVE SHAFT	EA
23	1	154-6884	6 TOOTH SENSOR DISK	EA
24	2	164-6064	CLEANER HEAD IDLER MOUNT BLOCK	EA
25	2	153-2516	MS PHILLIPS - 4-40 X 1-1/2	EA
26	1	154-1220	PROXIMITY SENSOR	EA
27	2	153-2001	FLAT WASHER #6	EA
28	2	153-2231	LOCKNUT - 4-40	EA
29	1	154-9805	PULLEY - 32XL037 - 3/8 BORE DF DBL SET	EA
30	1	154-6889	CLEANER HOSE ROUTING BAR	EA
31	2	164-6231	HOSE SPRING MOUNT BLOCK	EA
32	2	154-0867	CLEANER HOSE SPRING	EA
33	1	153-2030	ACORN NUT 3/8 - 16	EA
34	1	154-0222	BULK HEAD UNION	EA
35	1	164-6224	CLEANER HEAD ASSEMBLY	EA
36	1	164-6048	CLEANER HEAD IDLER MOUNT	EA
37	1	154-0222	ELBOW - 1/4 IN STEM X 1/4 IN TUBING OD	EA
38	1	153-2023	HEX NUT - 1/4-20	EA
39	1	153-2815	HHCS - 3/8-16 X 2-1/4 (GRADE 8)	EA
40	1	153-2009	NYLON FLAT WASHER	EA
41	1	154-9806	PULLEY - (28XL037 - 1/2 BORE NO SET	EA
42	1	153-2052	HHCS - 1/4-20 X 7/8"	EA
43	1	153-2016	LOCK WASHER 3/8"	EA
44	1	153-2025	HEX NUT - 3/8-16	EA



DUSTER ASSEMBLY

REV. 2/16

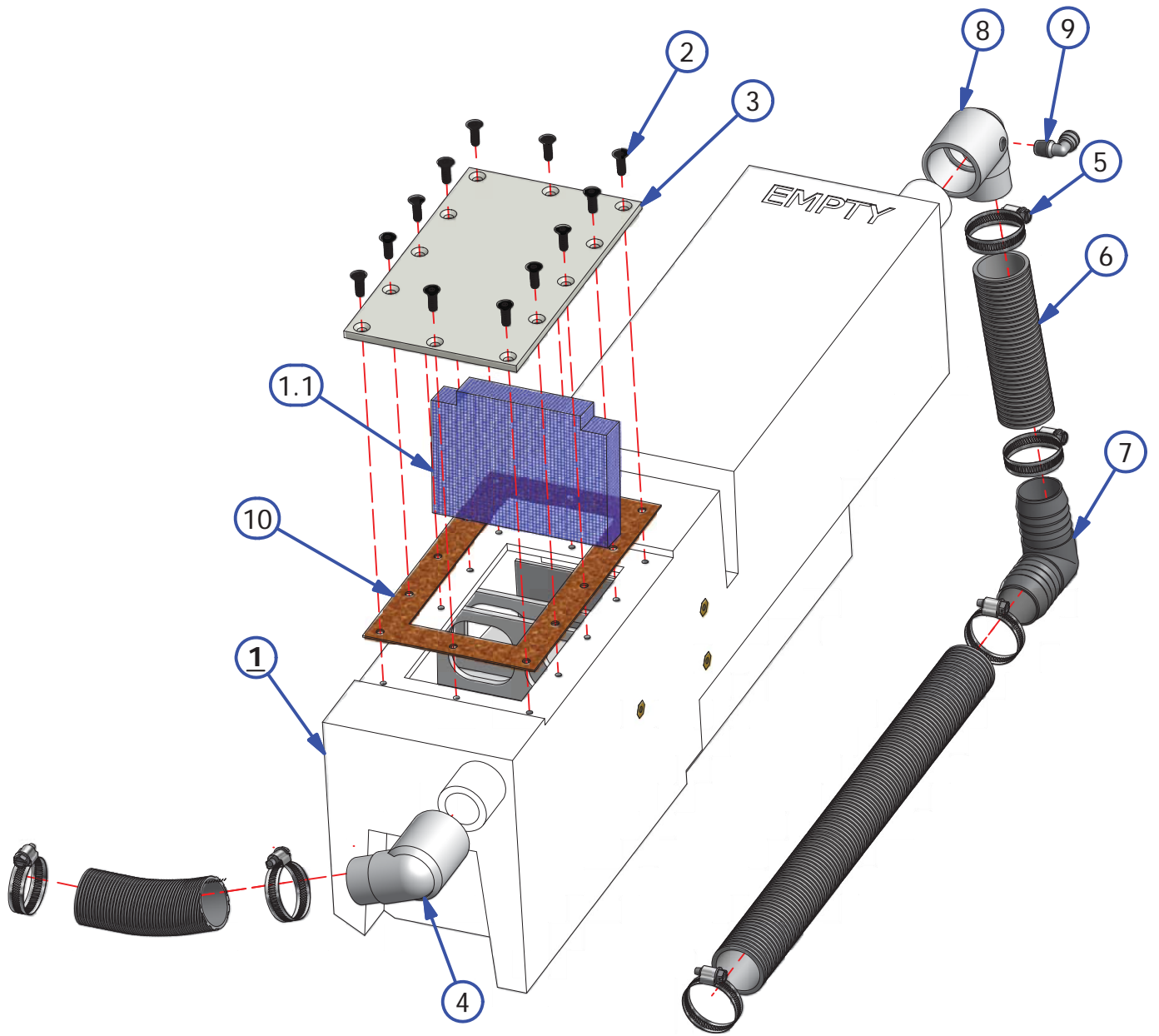
<u>INDEX</u> <u>NUMBER</u>	<u>QTY.</u>	<u>PART NUMBER</u>	<u>DESCRIPTION</u>	<u>UOM</u>
1	1	153-8839	CUSHION ROLLER WITH WRAP ASSEMBLY	EA
1.1		154-8839A	CUSHION ROLLER COVER - SIZE A	EA
1.2		154-8839B	CUSHION ROLLER COVER - SIZE B	EA
1.3		154-8839C	CUSHION ROLLER COVER - SIZE C	EA
1.4		154-8839D	CUSHION ROLLER COVER - SIZE D	EA
1.5		154-8839E	CUSHION ROLLER COVER - SIZE E	EA
2	2	158-8403	DUSTER MOTOR ASSEMBLY	EA
3	1	153-8824	PVC TAKE UP REEL	EA
4	8	153-2003	#10 - FLATWASHER	EA
5	8	153-2091	MS PHILLIPS - 10-32 X 3/4	EA
6	2	153-2050	SET SCREW 1/4-28 X 3/8	EA
7	1	153-8201B	DUSTER DRIVE HUB ASSEMBLY (1/4-28)	EA
8	2	153-2927	MS - PHILLIPS - 8-32 X 2-3/4 (PAN HEAD)	EA
9	4	153-2020A	STOVER NUT - 1/4-20	EA
10	4	153-2004	FLAT WASHER 1/4-20	EA
11	2	153-2408	SHOULDER BOLT - 5/16 X 1/2 (1/4-20)	EA
12	2	153-2093	SPRING 0.42 OD X .75	EA
13	2	153-2535	SHOULDER BOLT - 5/16 X 2 1/4 (1/4-20)	EA
14	1	153-2090	MS - PHILLIPS - -32 X 1-1/2	EA
15	2	153-8420	CUSHION ROLLER PIVOT ARM	EA
16	4	153-2414	HEX NUT 8-32	EA
17	8	153-2018	LOCKNUT 6-32	EA
18	4	154-1603	MICROSWITCH WITHOUT ROLLER (LARGE)	EA
19	16	153-2001	FLAT WASHER #6	EA
20	8	153-2085	MS PHILLIPS - 6-32 X 1 1/4	EA
21	2	153-9051	CUSHION ROLLER PLUG WITH STUD	EA
22	1	153-0429	DUSTER ROLL SUPPORT PIPE (40 INCH)	EA
23	1	164-6108	DUSTER PLUG CARDBOARD CORE	EA
24	1	164-6109	UHMW DUSTER PLUG FOR PVC TAKE UP REEL	EA
25	1	153-8202B	DUSTER SOLID DRIVE HUB (PVC)	EA
26	1	153-0047EZ	K2 SELECT DUSTER CLOTH (BOX OF 4)	CASE



RECOVERY TANK

REV. 2/16

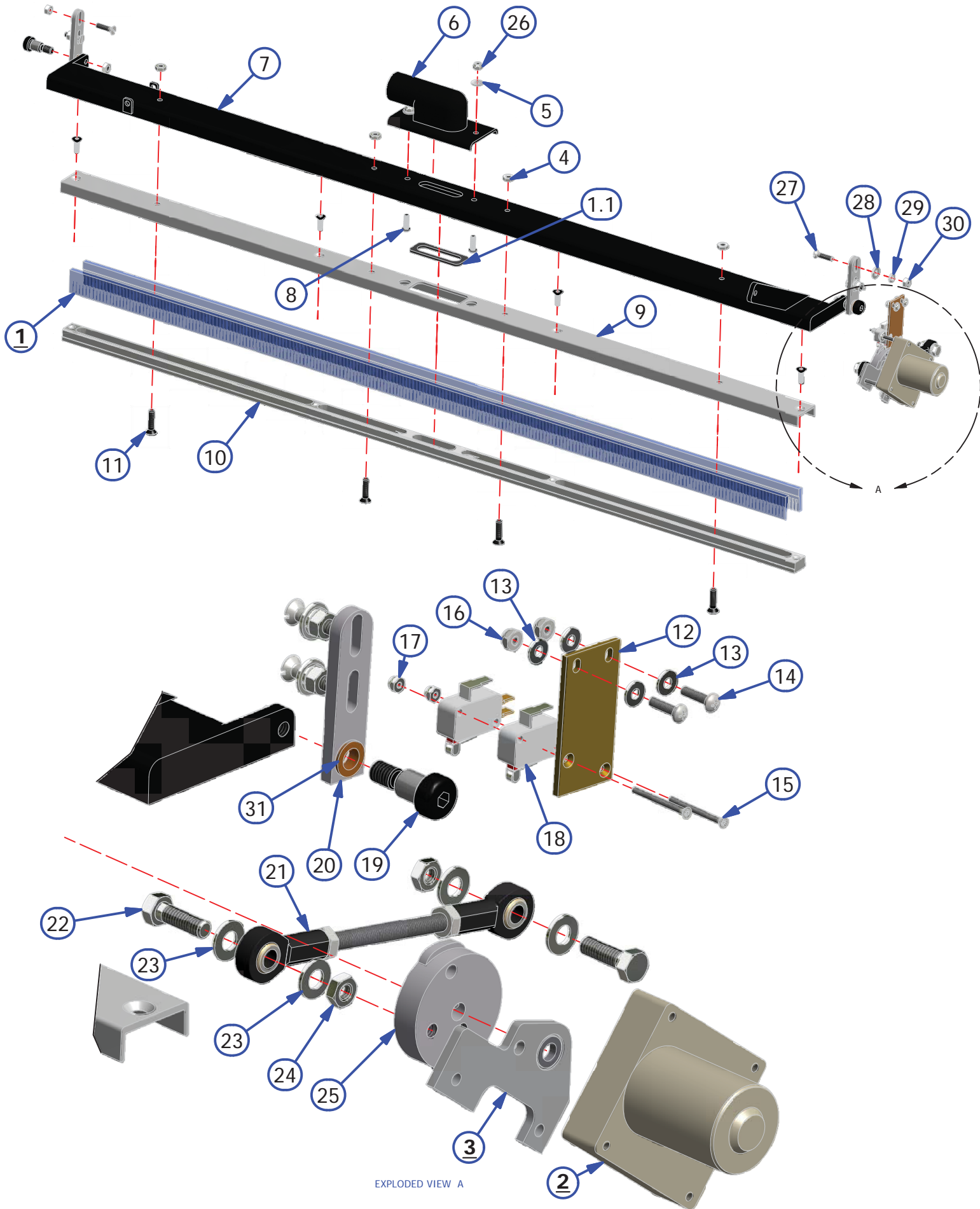
<u>INDEX</u> <u>NUMBER</u>	<u>QTY.</u>	<u>PART</u> <u>NUMBER</u>	<u>DESCRIPTION</u>	<u>UOM</u>
1	1	164-8017	FLEX RECOVERY TANK	EA
1.1	1	164-8017F	RECOVERY TANK FILTER	EA
2	12	153-2968	SCREW - 1/4-20 X 3/4 FSHCS	EA
3	1	164-6120	FLEX RECOVERY TANK COVER PLATE	EA
4	1	153-8827T	1-1/4 PVC ELBOW-TANK INLET (NO THREADS)	EA
5	6	153-2406	HOSE CLAMP (2 INCH)	EA
6	1	154-0260	FLEXIBLE HOSE - SOLD BY THE INCH	IN
7	1	154-0607	PVC ELBOW - 1-1/2 BARB X 1-1/2 BARB	EA
8	1	158-6244	ELBOW -RECOVERY TANK WITH TAPPED HOLE	EA
9	1	154-0223	ELBOW - 1/4" TUBE X 1/4" NPT	EA
10	1	158-0405	FLEX RECOVERY TANK GASKET	EA



SQUEEGEE ASSEMBLY

REV. 1/16

<u>INDEX</u> <u>NUMBER</u>	<u>QTY.</u>	<u>PART NUMBER</u>	<u>DESCRIPTION</u>	<u>UOM</u>
1	1	164-8038K	SQUEEGEE BLADE AND GASKET REPLACEMENT (1 SET)	EA
1.1	1	164-0003	GASKET	EA
2	1	158-8402	MOTOR ASSEMBLY -24VDC	EA
3	1	158-8634	SQUEEGEE/BRUSH MOUNT PLATE ASSEMBLY	EA
	1	158-9614	BALL BEARING MINITURE	EA
4	2	153-2020	LOCKNUT - 1/4-20 (NYLOK)	EA
5	2	153-2004	1/4 FLATWASHER	EA
6	1	154-6677A	SQUEEGEE HOSE ADAPTER NYLON	EA
7	1	154-6339-2850	SQUEEGEE MOUNT ANGLE - BLACK	EA
8	2	164-2023	BHSCS 1/4-20 X 3/4	EA
9	1	164-6074	EXTRUDED SQUEEGEE CHANNEL	EA
10	1	164-6075	MACHINED SQUEEGEE CHANNEL INSERT	EA
11	4	153-2503	FHSS - 5/16-18 X 1-1/4	EA
12	1	154-6824	SQUEEGEE CAM SWITCH PLATE	EA
13	4	153-2002	#8 FLATWASHER	EA
14	2	153-2086	MS PHILLIPS - 8-32 X 5/8	EA
15	2	153-2727	4-40 X 1-1/4 FHMS	EA
16	2	153-2019	LOCKNUT - 8-32 (NYLOK)	EA
17	2	153-2231	LOCKNUT - 4-40	EA
18	2	153-1203	MICROSWITCH W/ROLLER	EA
19	2	153-2303	SHOULDER BOLT-3/8 X 5/8 (5/16-18)	EA
20	2	154-6822	SQUEEGEE ADJUSTMENT ARM	EA
21	2	153-0211	ROD END	EA
22	2	153-2061	HHCS - 5/16-18 X 1	EA
23	4	153-2005	5/16 FLATWASHER	EA
24	2	153-2027A	JAM NUT - 5/16-18	EA
25	1	154-6243	MOTOR CAM-DUAL LOBES (STACKED SWITCHES)	EA
26	4	153-2005	FLAT WASHER 5/16	EA
27	4	153-2079	FHCS - 1/4 X 20 1 BLACK ALLOY	EA
28	4	153-2004	FLAT WASHER 1/4"	EA
29	4	153-2014	LOCK WASHER 1/4"	EA
30	4	153-2023	1/4-20 HEX NUT	EA
31	2	153-9803	BUSHING	EA



VACUUM MOTOR ASSEMBLY

REV. 1/16

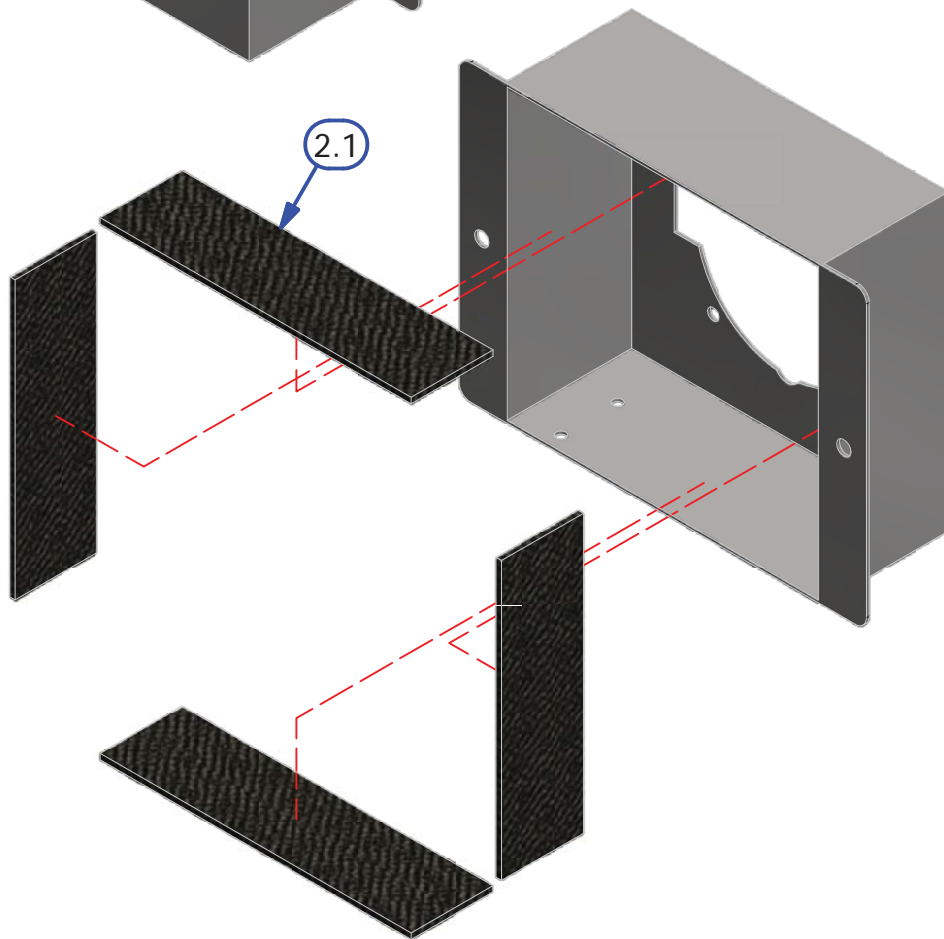
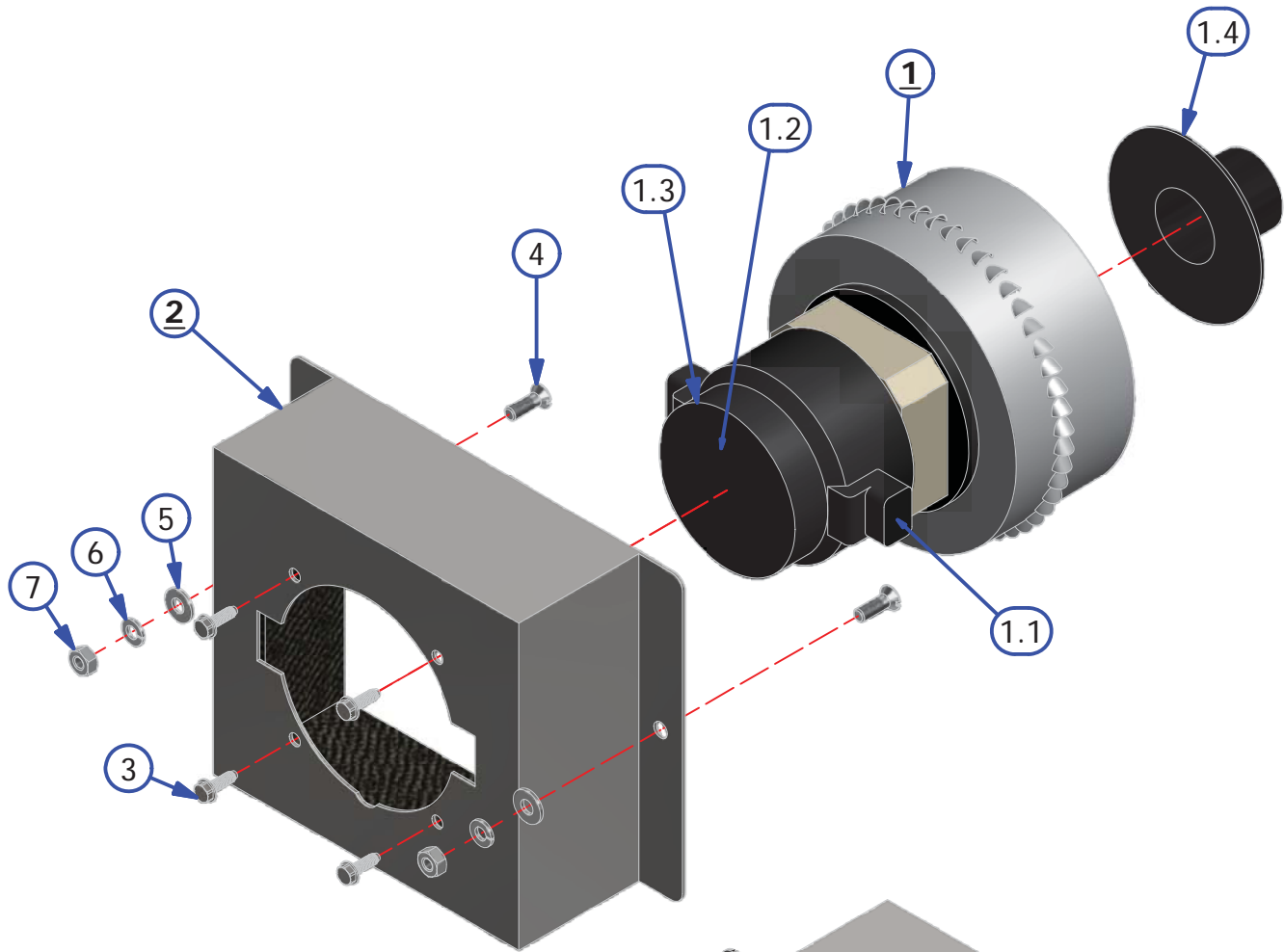
<u>INDEX NUMBER</u>	<u>QTY.</u>	<u>PART NUMBER</u>	<u>DESCRIPTION</u>	<u>UOM</u>
1	1	158-8407	VACUUM MOTOR ASSEMBLY (COMPLETE)	
1.1	1	158-1421B	VACUUM MOTOR BRUSHES	PR
1.2	1	153-0204F	FAN BLADE	EA
1.3	1	153-0204H	FAN BLADE COVER	EA
1.4*	1	153-6221M	VACUUM WALL PLASTIC ADAPTER (See Below)	EA
2	1	158-8618	VACUUM MOTOR HOUSING	
2.1		154-0228S	STOCK - 1/8 IN GRAY FELT	IN
3	4	153-2830	HEX HEAD SELF TAP #10 X 5/8 SCREW	EA
4	2	153-2078	FHMS - 1/4 - 20 X 3/4	EA
5	2	153-2004	1/4 FLAT WASHER	EA
6	2	153-2014	1/4 LOCK WASHER	EA
7	2	153-2023	1/4/-20 HEX NUT	EA



TECHNICAL NOTE

WHEN ATTACHING PART NUMBER 153-6221M, USE A TWO (2) PART EPOXY AND ALLOW TO DRY ACCORDING TO DIRECTIONS.

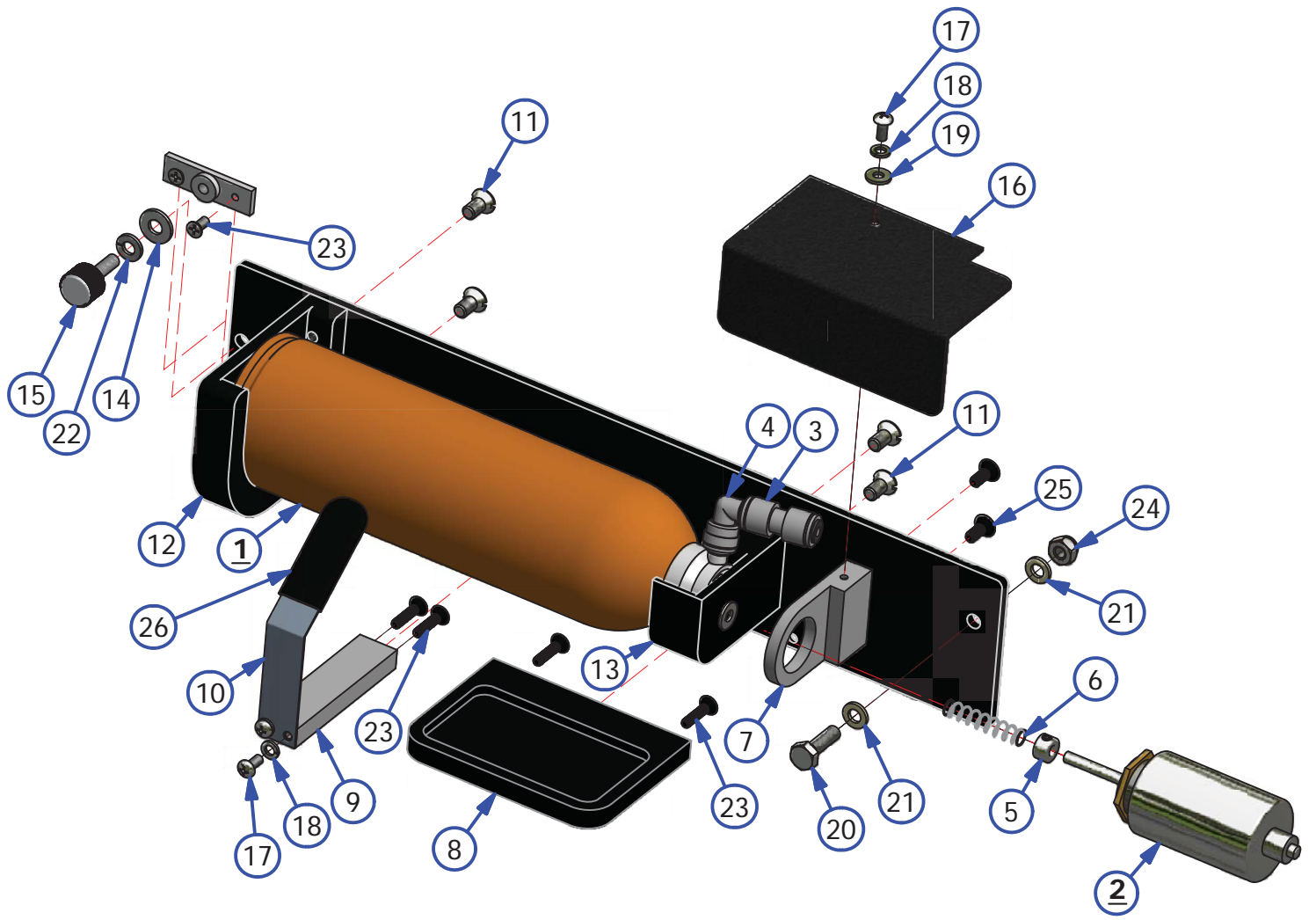
BE CAREFUL NOT TO CRUSH THE VACUUM MOTOR HOUSING INTO INTERNAL BLADES.



PINDECK TREATMENT ASSEMBLY

REV. 3/16

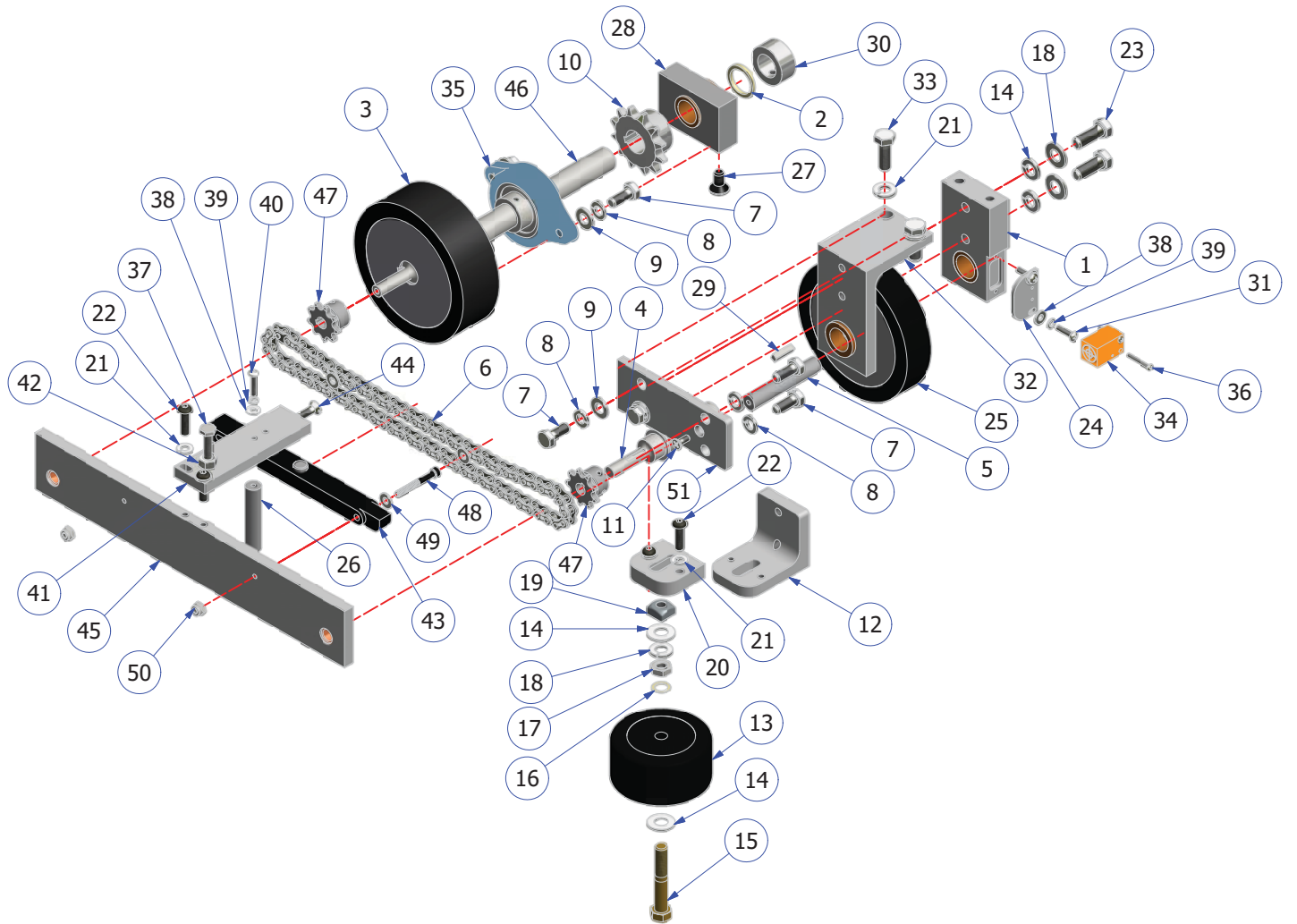
<u>INDEX</u> <u>NUMBER</u>	<u>QTY.</u>	<u>PART</u> <u>NUMBER</u>	<u>DESCRIPTION</u>	<u>UOM</u>
<u>1</u>	1	156-8310	SPOT ON PINDECK TREATMENT (CASE OF 4)	EA
	1	158-6298	SPOT ON - ACTUATOR CAP (WHITE CAP)	EA
<u>2</u>	1	164-8226	PINDECK SPRAY SOLENOID	EA
3	1	154-0248	REDUCING UNION	EA
4	1	154-0222	ELBOW 1/4" STEM X 1/4" TUBING OD	EA
5	1	164-2065	SHAFT COLLAR 3/16"	EA
6	1	164-1227	SOLENOID SPRING ASSEMBLY	EA
7	1	164-6242	SOLENOID BRACKET ASSEMBLY	EA
8	1	164-6245	DRIP TRAY ASSEMBLY	EA
9	1	164-6241	CAN CLIP BRACKET	EA
10	1	164-6240	CAN CLIP	EA
11	4	153-2742	FHMS 1/4-20 X 1/2	EA
12	1	164-6238	CAN CRADLE BOTTOM	EA
13	1	164-6237	CAN CRADLE TOP	EA
14	1	153-2004	FLAT WASHER 1/4"	EA
15	1	164-2016	THUMB SCREW - KNURLED HEAD	EA
16	1	164-6246	SOLENOID COVER	EA
17	3	153-2086A	MS PHILLIPS 8-32 X 3/8	EA
18	3	153-2013	LOCK WASHER #10	EA
19	1	153-2002	FLAT WASHER #10	EA
20	1	153-2052	HHCS 1/4-20 X 1"	EA
21	1	153-2510	NYLON WASHER 1/4"	EA
22	1	153-2014	LOCK WASHER 1/4"	EA
23	1	153-2542	FHSS ALLEN 8-32 X 3/4	EA
24	1	153-2020	LOCKNUT (NYLOCK 1/4")	EA
25	1	153-2998	FHCS SCREW 10-24 X 1/2" BLACK OXID	EA
26	1	164-2053	RECTANGLE CAP	EA

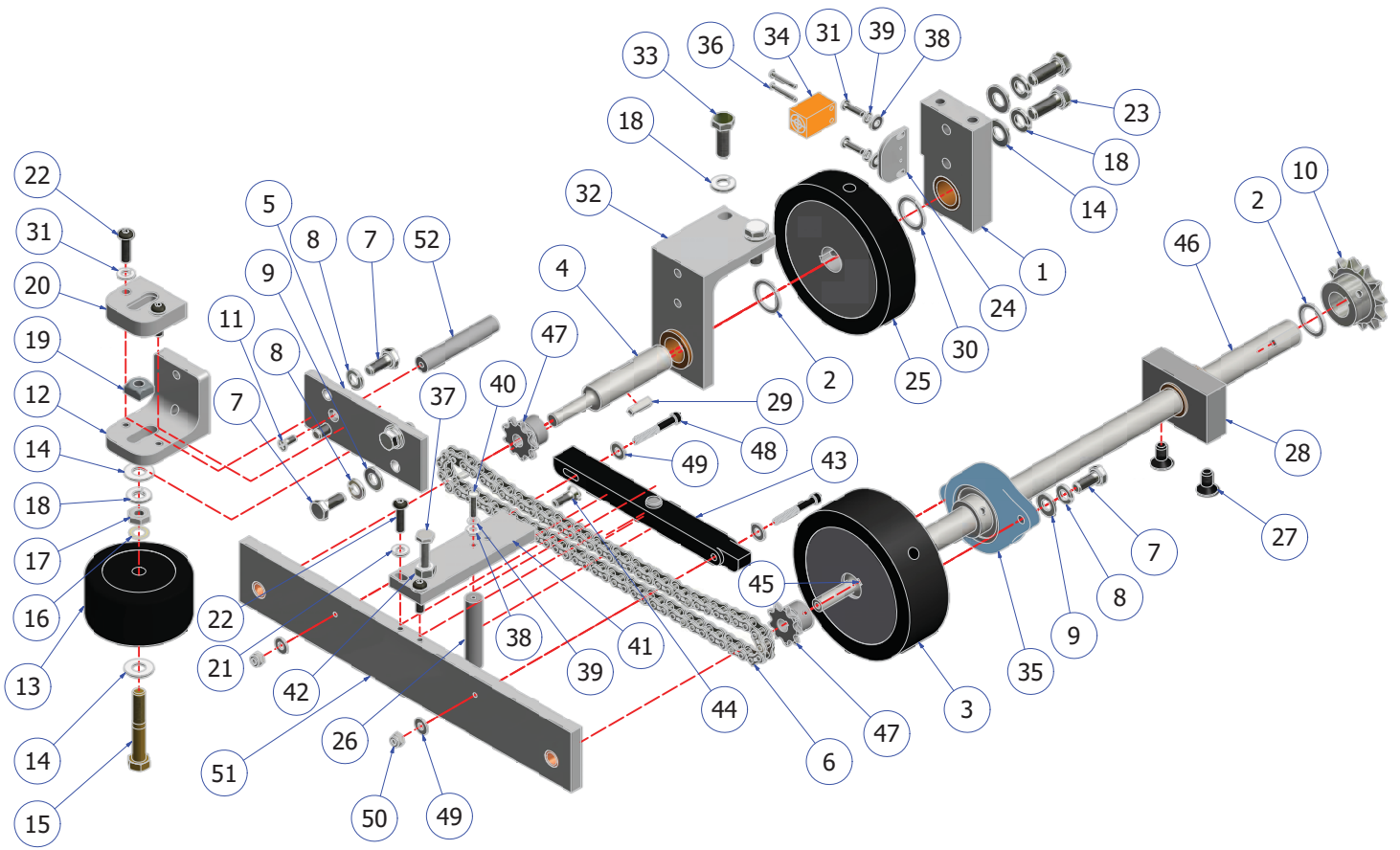


ZTR ASSEMBLY - LEFT

REV. 3/16

<u>INDEX NUMBER</u>	<u>QTY.</u>	<u>PART NUMBER</u>	<u>DESCRIPTION</u>	<u>UOM</u>
1	1	164-6034	KICK UP WHEEL MOUNTING BLOCK	EA
2	3	153-2939	NYLON WASHER 3/4" X 1/16"	EA
3	2	158-7001	DRIVE WHEEL 4.5 IN	EA
4	1	164-6030	FLEX KICK-UP WHEEL SHAFT	EA
5	1	158-6705	BUMPER WHEEL SIDE POST	EA
6	1	164-9005	CHAIN (35P67) ZTR KICKUP	EA
	1	153-0946	#35 MASTER LINK (NOT SHOWN)	EA
7	6	153-2602	HHCS - 5/16-18 X 3/4	EA
8	6	153-2015	5/16 LOCKWASHER	EA
9	4	153-2005	5/16 FLATWASHER	EA
10	1	158-9602	SPROCKET 40BAH 3/4 BORE WITH KEYWAY AND SET	EA
11	1	153-2604	MS FLAT PHILLIPS - 10-32 X 1/2	EA
12	1	164-6038	BUMPER WHEEL MOUNT ANGLE	EA
13	1	153-7203	BUMPER WHEEL	EA
14	2	153-2006	3/8 FLATWASHER	EA
15	1	153-2815	HHCS - 3/8-16 X 2-1/4 (GRADE 8)	EA
16	1	153-2531	NYLON FLAT WASHER - 3/8 (0.030)	EA
17	1	153-2027	JAM NUT - 3/8-16	EA
18	1	153-2016	3/8 LOCKWASHER	EA
19	1	164-2005	SQUARE NUT - 3/8-16	EA
20	1	164-6039	BUMPER WHEEL NUT RETAINER	EA
21	4	153-2014	1/4 LOCKWASHER	EA
22	4	153-2052A	BHSS - 1/4-20 X 7/8	EA
23	2	153-2066	HHCS - 3/8-16 X 1	EA
24	1	164-6222	ZTR PROXIMITY SENSOR MOUNT	EA
25	1	164-7002A	1" WIDE KICK UP WHEEL ASSEMBLY	EA
26	1	164-6162	GUARD STAND OFF	EA
27	2	153-2802A	FHSS - 5/16 X 5/8	EA
28	1	158-8601	ZTR SHAFT BUSHING BLOCK ASSEMBLY	EA
29	1	153-2100	KEYSTOCK - 3/16 X 3/4	EA
30	1	153-2937	SHAFT COLLAR 3/4" ID	EA
31	2	153-2086	MS PHILLIPS - 8-32 X 5/8	EA
32	1	164-8220	KICK UP WHEEL ANGLE ASSEMBLY	EA
33	2	153-2055	HHCS - 1/4-20 X 1-1/2	EA
34	1	154-1220	INDUCTIVE PROXIMITY SENSOR	EA
35	1	153-9816	3/4 IN FLANGED BEARING - 5/16-18 TAPPED	EA
36	2	153-2216A	MS PHILLIPS - 4-40 X 7/8	EA
37	1	153-2528	HHCS - 1/4"-20 X 1-3/4"	EA
38	1	153-2002	#8 FLATWASHER	EA
39	1	153-2013	#10 LOCKWASHER	EA
40	1	153-2087	MS PHILLIPS - 8-32 X 3/4	EA
41	1	164-6033	FLEX ZTR SUPPORT MOUNT	EA
42	1	153-2304	JAM NUT	EA
43	1	164-6031	ZTR CHAIN TENSIONER	EA
44	1	153-2078	FHMS - 1/4-20 X 3/4"	EA
45	1	164-6040	FLEX ZTR SHAFT SUPPORT	EA
46	1	164-6028	FLEX ZTR DRIVE SHAFT - LEFT	EA
47	2	164-9003	SPROCKET - 40B10 (5/8")	EA
48	2	164-2004	SHCS - 10-24 X 1-1/2	EA
49	2	153-2035	BLIND RIVET WASHER - 3/16	EA
50	2	153-2208	LOCKNUT - 10-24 (NYLOK)	EA
51	1	164-6221	BUMPER WHEEL PLATE	EA





ZTR ASSEMBLY - RIGHT

REV. 5/16

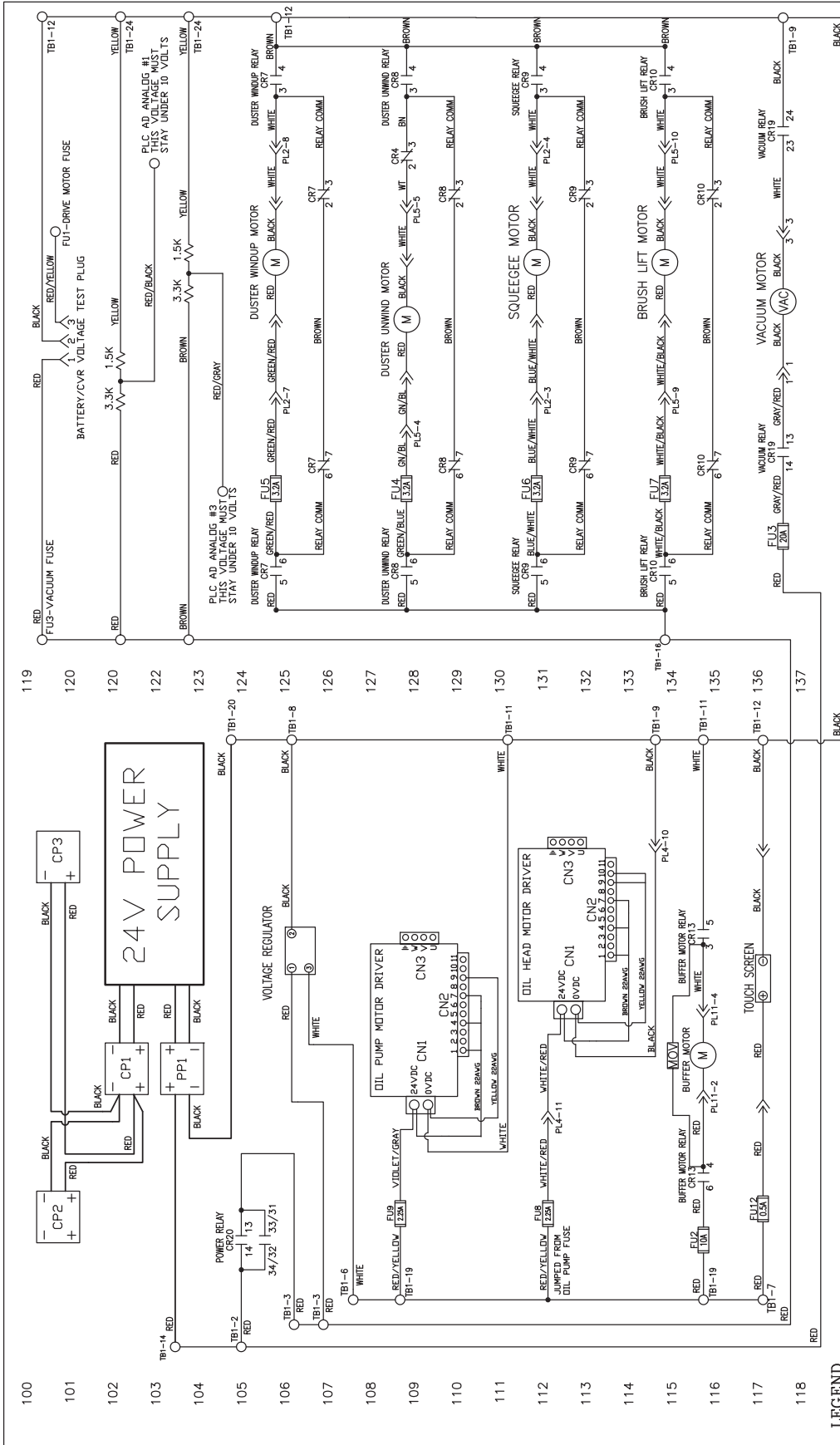
<u>INDEX</u> <u>NUMBER</u>	<u>QTY.</u>	<u>PART NUMBER</u>	<u>DESCRIPTION</u>	<u>UOM</u>
1	1	164-8219	KICK UP WHEEL MOUNTING BLOCK	EA
2	2	153-2939	NYLON WASHER 3/4" X 1/16"	EA
3	1	158-7001	DRIVE WHEEL 4.5 IN	EA
4	1	164-6030	FLEX KICK-UP WHEEL SHAFT	EA
5	1	164-6221	BUMPER WHEEL PLATE	EA
6	1	164-9005	CHAIN (35P67) ZTR KICKUP	EA
	1	153-9046	#35 MASTER LINK (NOT SHOWN)	EA
7	6	153-2602	HHCS - 5/16-18 X 3/4	EA
8	6	153-2015	5/16 LOCKWASHER	EA
9	4	153-2005	5/16 FLATWASHER	EA
10	1	158-9602	SPROCKET 40BAH 3/4 BORE WITH KEYWAY AND SET	EA
11	1	153-2604	MS FLAT PHILLIPS - 10-32 X 1/2	EA
12	1	164-6038	BUMPER WHEEL MOUNT ANGLE	EA
13	1	153-7203	BUMPER WHEEL	EA
14	2	153-2006	3/8 FLATWASHER	EA
15	1	153-2815	HHCS - 3/8-16 X 2-1/4 (GRADE 8)	EA
16	1	153-2531	NYLON FLAT WASHER - 3/8 (0.030)	EA
17	1	153-2027	JAM NUT - 3/8-16	EA
18	1	153-2016	3/8 LOCKWASHER	EA
19	1	164-2005	SQUARE NUT - 3/8-16	EA
20	1	164-6039	BUMPER WHEEL NUT RETAINER	EA
21	4	153-2014	1/4 LOCKWASHER	EA
22	4	153-2052A	BHSS - 1/4-20 X 7/8	EA
23	2	153-2066	HHCS - 3/8-16 X 1	EA
24	1	164-6222	ZTR PROXIMITY SENSOR MOUNT	EA
25	1	164-7002A	1" WIDE KICK UP WHEEL ASSEMBLY	EA
26	1	164-6162	GUARD STAND OFF	EA
27	2	153-2802	FHSS - 5/16 X 5/8	EA
28	1	158-8601	ZTR SHAFT BUSHING BLOCK ASSEMBLY	EA
29	1	153-2100	KEYSTOCK - 3/16 X 3/4	EA
30	1	158-9601	BUSHING FLANGED - 3/4 ID X 7/8 OD	EA
31	2	153-2086	MS PHILLIPS - 8-32 X 5/8	EA
32	1	164-8220	KICK UP WHEEL ANGLE ASSEMBLY	EA
33	4	153-2066	HHCS - 3/8-16 x 1	EA
34	1	154-1220	INDUCTIVE PROXIMITY SENSOR	EA
35	1	153-9816	3/4 IN FLANGED BEARING - 5/16-18 TAPPED	EA
36	2	153-2216A	MS PHILLIPS - 4-40 X 7/8	EA
37	1	153-2528	HHCS - 1/4"-20 X 1-3/4"	EA
38	1	153-2002	#8 FLATWASHER	EA
39	1	153-2013	#10 LOCKWASHER	EA
40	1	153-2087	MS PHILLIPS - 8-32 X 3/4	EA
41	1	164-6033	FLEX ZTR SUPPORT MOUNT	EA
42	1	153-2304	JAM NUT	EA
43	1	164-6031	ZTR CHAIN TENSIONER	EA
44	1	153-2078	FHMS - 1/4-20 X 1" SELF LOCKING	EA
45	1	153-2102	KEYSTOCK - 3/16 X 1-1/4"	EA
46	1	164-6029	FLEX ZTR DRIVE SHAFT - RIGHT	EA
47	2	164-9003	SPROCKET - 40B10 (5/8")	EA
48	2	164-2004	SHCS - 10-24 X 1-1/2	EA
49	4	153-2035	BLIND RIVET WASHER - 3/16	EA
50	2	153-2208	LOCKNUT - 10-24 (NYLOK)	EA
51	1	164-6040	FLEX ZTR SHAFT SUPPORT	EA
52	1	158-6705	BUMPER WHEEL SIDE POST	EA

CHAPTER 9

FLEX ELECTRICAL DRAWINGS

The following diagrams show wiring schematics for the Kustodian Walker. Detailed diagrams for the Ion follow this section. If you have any questions please call 863-734-0200 or email tech@kegel.net.

Flex Motor Wiring Layout.....	230
Flex Output Wiring Layout.....	231
Flex Input Wiring Layout.....	232
Flex Speed Control Wiring Layout.....	233
Flex Analog Wiring Layout.....	234
Flex Terminal Block Wiring Layout.....	235
Flex Power Wiring Layout.....	236
Flex Voltage Regulator Wiring Layout.....	237
Flex Oil Pump Driver & Motor Wiring Layout.....	238
Flex Oil-Cleaner Head Driver & Motor Wiring Layout.....	239
Flex L-R & R-L Head Proximity Sensor Wiring Layout.....	240
Flex Oil Valves Wiring Layout.....	241
Flex Buffer Motor Wiring Layout.....	242
Flex Variable Buffer Wiring Layout.....	243
Flex Brush Lift Motor Wiring Layout.....	244
Flex Vacuum Wiring Layout.....	245
Flex Squeegee Motor & Switch Wiring Layout.....	246
Flex Duster Unwind Motor & Switch Wiring Layout.....	247
Flex Duster Windup Motor & Switch Wiring Layout.....	248
Flex Cleaner Pump #1 Wiring Layout.....	249
Flex Cleaner Pump #2 Wiring Layout.....	250
Flex Start Button & Duster Presoak Button Wiring Layout.....	251
Flex Oil Float & Cleaner Float Wiring Layout.....	252
Flex Speed Tach & LDS Wiring Layout.....	253
Flex LED Tank Light Wiring Layout.....	254
Flex Trigger Solenoid Wiring Layout.....	255



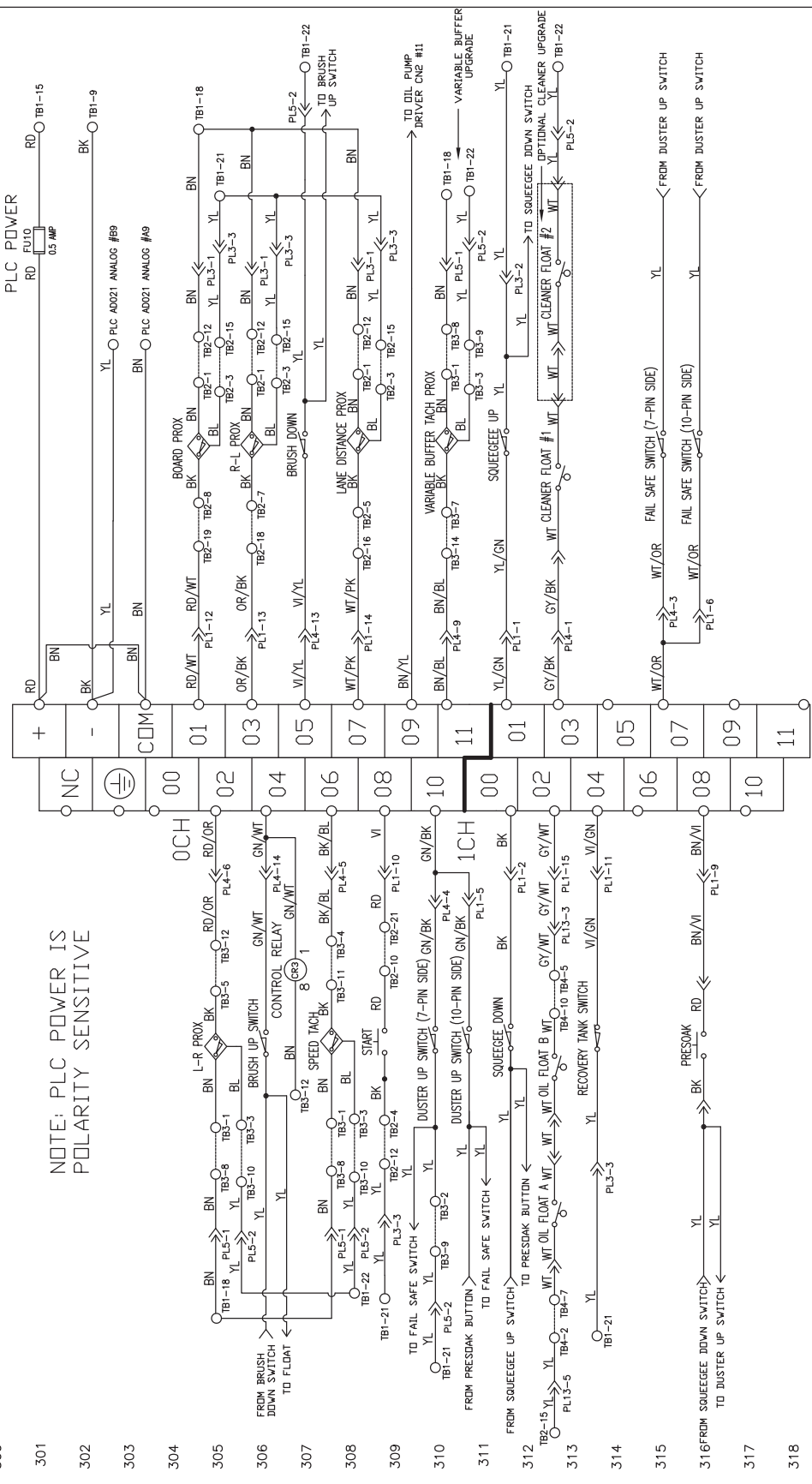
LEGEND	
CR1	- OIL VALVE RELAY TANK A
CR2	- OIL VALVE RELAY TANK B
CR3	- CONTROL RELAY
CR4	- DUSTER POLARITY SWITCH RELAY
CR5	- PIN DECK TREATMENT RELAY
CR6	- POWER OFF RELAY
CR7	- DUSTER WINDUP MOTOR RELAY
CR8	- DUSTER UNWIND MOTOR RELAY
CR9	- SQUEEGEE LIFT MOTOR RELAY
CR10	- BRUSH LIFT MOTOR RELAY
CR11	- FORWARD DRIVE MOTOR RELAY
CR12	- REVERSE DRIVE MOTOR RELAY
CR13	- BUFFER MOTOR RELAY
CR14	-
CR15	-
CR16	-
CR17	-
CR18	-
CR19	- VACUUM MOTOR RELAY
CR20	- POWER RELAY
FU1	- DRIVE MOTOR 7.5A
FU2	- BUFFER MOTOR 10A/20A
FU3	- VACUUM MOTOR 20A
FU4	- DUSTER UNWIND 3.2A
FU5	- DUSTER WINDUP 3.2A
FU6	- SQUEEGEE MOTOR 3.2A
FU7	- BRUSH LIFT MOTOR 3.2A
FU8	- DUSTER DRIVE MOTOR 2.25A
FU9	- HEAD DRIVE MOTOR 2.25A
FU10	- OIL PUMP MOTOR 2.25A
FU11	- PLC INPUT POWER/L1 0.5A
FU12	- PLC OUTPUT COMMON 0.5A
FU13	- TOUCH SCREEN 0.5A
FU14	- CLEANER PUMP #1 3.2A
FU15	- CLEANER PUMP #2 3.2A
FU16	- CYR POWER 25A/30A
FU17	- TRIGGER SOLENOID 3.2A
PL1	- 10-PIN SIDE PLUG (15)
PL2	- 10-PIN SIDE PLUG (12)
PL3	- 10-PIN SIDE PLUG (9)
PL4	- 7-PIN SIDE PLUG (15)
PL5	- 7-PIN SIDE PLUG (12)
PL6	- DRIVE SPEED BOARD PLUG (12)
PL7	- CLEANER PUMP #1 SPEED BOARD PLUG (9)
PL8	- CLEANER PUMP #2 SPEED BOARD PLUG (9)
PL9	- BUFFER SPEED BOARD PLUG (12)
PL10	- BUFFER SPEED BOARD PLUG (12)
PL11	- BUFFER MOTOR PLUG (5)
PL12	- BUFFER MOTOR VARIABLE SPEED PLUG (5)
PL13	- OIL PLATE ASSEMBLY PLUG (6)
TBI1	- TERMINAL BLOCK 1 (MAIN)
TBI2	- TERMINAL BLOCK 2 (10-PIN SIDE)
TBI3	- TERMINAL BLOCK 3 (7-PIN SIDE)
TBI4	- TERMINAL BLOCK 4 (OIL PLATE)
TBI5	- TERMINAL BLOCK 5 (TOP PLC PLATE)

MATERIAL	
N/A	
DATE	07/21/15
DESIGNED BY	SLS
APPROVED	MP
SIZE	C
QTY/MACHINE PART NUMBER	N/A
SCALE	N/A
DRAWN BY	MP
DATE	07/21/15
DESCRIPTION	MOTOR WIRING SCHEMATIC
REV	1
REV	DF
REV	26

KEGEL	
1561 LONGLEAF BLVD LAKE WALKER, TX 75849 (985) 794-0260	

OMRON SYSMAC CPH INPUTS

NOTE: PLC POWER IS
POLARITY SENSITIVE



LEGEND

- CR1 - DIL VALVE RELAY TANK A
- CR2 - DIL VALVE RELAY TANK B
- CR3 - CONTROL RELAY
- CR4 - DUSTER POLARITY SWITCH RELAY
- CR5 - PIN BECK TREATMENT RELAY
- CR6 - FORWARD DRIVE MOTOR RELAY
- CR7 - REVERSE DRIVE MOTOR RELAY
- CR8 - DUSTER UNWIND MOTOR RELAY
- CR9 - DUSTER WINDUP MOTOR RELAY
- CR10 - SQUEEGEE LIFT MOTOR RELAY
- CR11 - SQUEEGEE DOWN MOTOR RELAY
- CR12 - FORWARD DRIVE MOTOR RELAY
- CR13 - REVERSE DRIVE MOTOR RELAY
- CR14 - BUFFER MOTOR RELAY
- CR15 - BUFFER MOTOR RELAY
- CR16 - BUFFER MOTOR RELAY
- CR17 - BUFFER MOTOR RELAY
- CR18 - VACUUM MOTOR RELAY
- CR19 - MOTOR RELAY
- CR20 - POWER RELAY

FU1 - DRIVE MOTOR 7.5A
 FU2 - BUFFER MOTOR 10A/20A
 FU3 - VACUUM MOTOR 20A
 FU4 - DUSTER UNWIND 32A
 FU5 - DUSTER WINDUP 32A
 FU6 - PIN BECK TREATMENT MOTOR 32A
 FU7 - SQUEEGEE LIFT MOTOR 2.25A
 FU8 - SQUEEGEE DOWN MOTOR 2.25A
 FU9 - HEAD DRIVE MOTOR 2.25A
 FU10 - DIL INPUT POWER/11.05A
 FU11 - PLC OUTPUT COMMON 0.5A
 FU12 - TOUGH SCREEN 0.5A
 FU13 - CLEANER PUMP #1 3.2A
 FU14 - CLEANER PUMP #2 3.2A
 FU15 - CVR POWER 25A/30A
 FU16 - LED LIGHTS 1A
 FU17 - TRIGGER SOLENOID 32A

PL1 - 10-PIN SIDE PLUG (15)
 PL2 - 10-PIN SIDE PLUG (12)
 PL3 - 10-PIN SIDE PLUG (9)
 PL4 - 7-PIN SIDE PLUG (15)
 PL5 - 7-PIN SIDE PLUG (12)
 PL6 - TRUCK SPEED BOARD PLUG (9)
 PL7 - CLEANER PUMP #1 SPEED BOARD PLUG (9)
 PL8 - CLEANER PUMP #2 SPEED BOARD PLUG (9)
 PL9 - BUFFER SPEED BOARD PLUG (12)
 PL10 - BUFFER MOTOR VARIABLE SPEED PLUG (5)
 PL11 - BUFFER MOTOR VARIABLE SPEED PLUG (5)
 PL12 - BUFFER MOTOR VARIABLE SPEED PLUG (5)
 PL13 - OIL PLATE ASSEMBLY PLUG (6)

TBI - TERMINAL BLOCK 1 (MAIN)
 TBI2 - TERMINAL BLOCK 2 (10-PIN SIDE)
 TBI3 - TERMINAL BLOCK 3 (7-PIN SIDE)
 TBI4 - TERMINAL BLOCK 4 (OIL PLATE)

VIEW OF PLUGS FROM CONTROLLER

3 PINOUT PLUG 9
 5 PINOUT PLUG 11
 6 PINOUT PLUG 13
 9 PINOUT PLUG 7
 9 PINOUT PLUG 8
 9 PINOUT PLUG 10
 9 PINOUT PLUG 12
 12 PINOUT PLUG 2
 12 PINOUT PLUG 3
 12 PINOUT PLUG 4
 12 PINOUT PLUG 5
 12 PINOUT PLUG 6
 15 PINOUT PLUG 1
 15 PINOUT PLUG 14

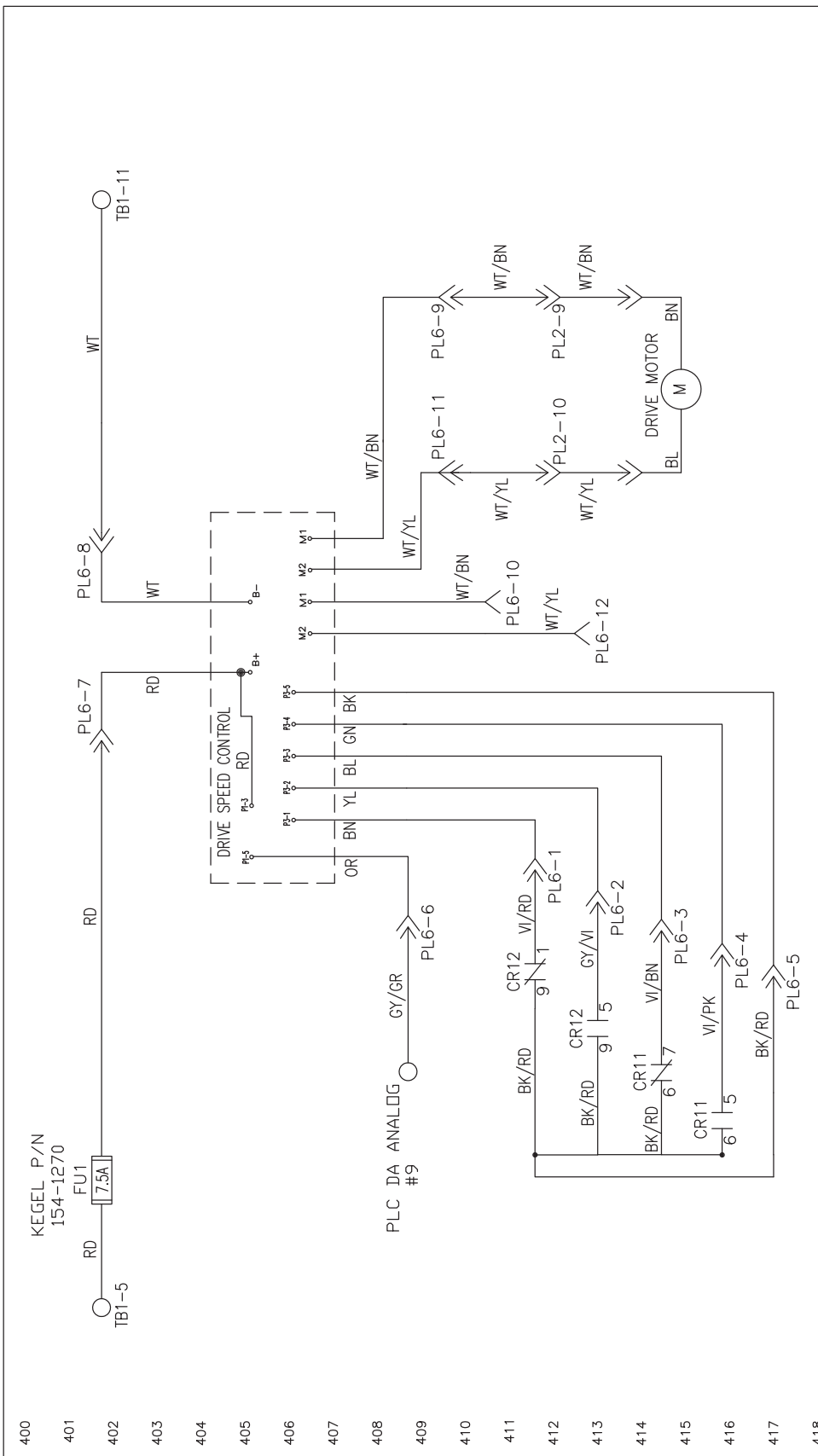
TO DIL PUMP DRIVER ONE #11
 TO SQUEEGEE UP
 TO SQUEEGEE DOWN SWITCH
 TO OIL FLOAT A WT
 TO OIL FLOAT B WT
 TO RECOVERY TANK SWITCH
 TO PRESADK UP SWITCH
 TO PRESADK DOWN SWITCH
 TO FAIL SAFE SWITCH (7-PIN SIDE)
 TO FAIL SAFE SWITCH (10-PIN SIDE)
 TO SQUEEGEE DOWN
 TO SQUEEGEE UP
 TO CLEANER FLOAT #1 WT
 TO CLEANER FLOAT #2 WT
 TO SQUEEGEE DOWN SWITCH
 TO ADDITIONAL CLEANER UPGRADE
 TO BRUSH UP SWITCH
 TO BRUSH DOWN SWITCH
 TO DUSTER UP SWITCH
 TO DUSTER DOWN SWITCH
 TO DUSTER UP SWITCH (7-PIN SIDE)
 TO DUSTER DOWN SWITCH (10-PIN SIDE)
 TO DUSTER UP SWITCH
 TO DUSTER DOWN SWITCH

PLC POWER
 RD FU10 0.5 AMP
 RD TBI-15
 BK TBI-9

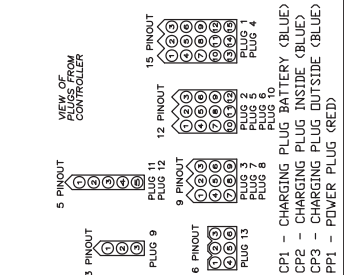
Y L B N RD/W T OR/BK VI/VL WT/PK GN/YL BN/YL GY/BK YL/GN WT/OR WT/OR WT/OR

DATE: 07/20/15
 DRAWN BY: SLS
 APPROVED: MP
 DO NOT SCALE DRAWING
 SIZE: QTY/MACHINE PART NUMBER
 C
 SCALE: N/A
 SHEET: 3 OF 26

MATERIAL: N/A
 DESCRIPTION: INPUT WIRING SCHEMATIC

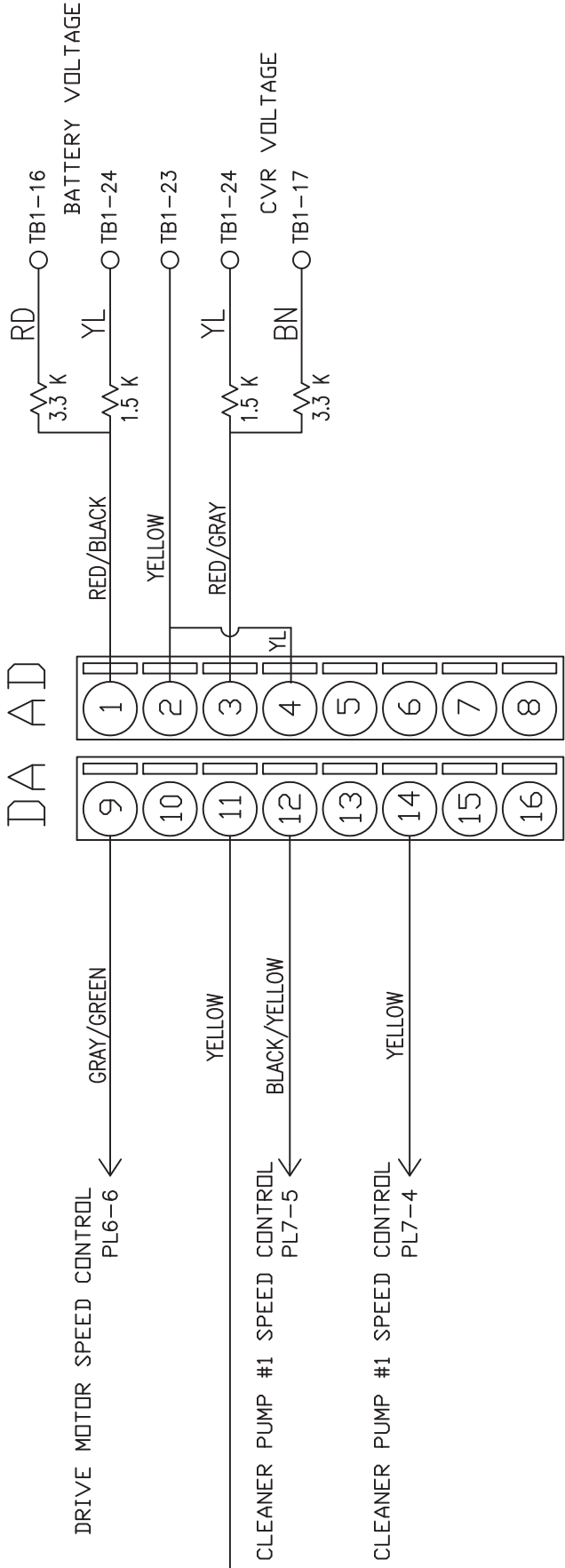


KEGEL P/N 154-1270		KEGEL 1901 LONGLEAF BLVD. LAKE WALES, FL 33859 (813) 794-0000	
MATERIAL N/A		DESCRIPTION SPEED CONTROL SCHEMATIC	
DRAWN BY SLS	DATE 07/21/15	DO NOT SCALE DRAWING	SIZE C
APPROVED BY MP	REV DATE	SCALE N/A	FLEX 2016
DOC REV		SCALE N/A	SHEET 4 OF 26



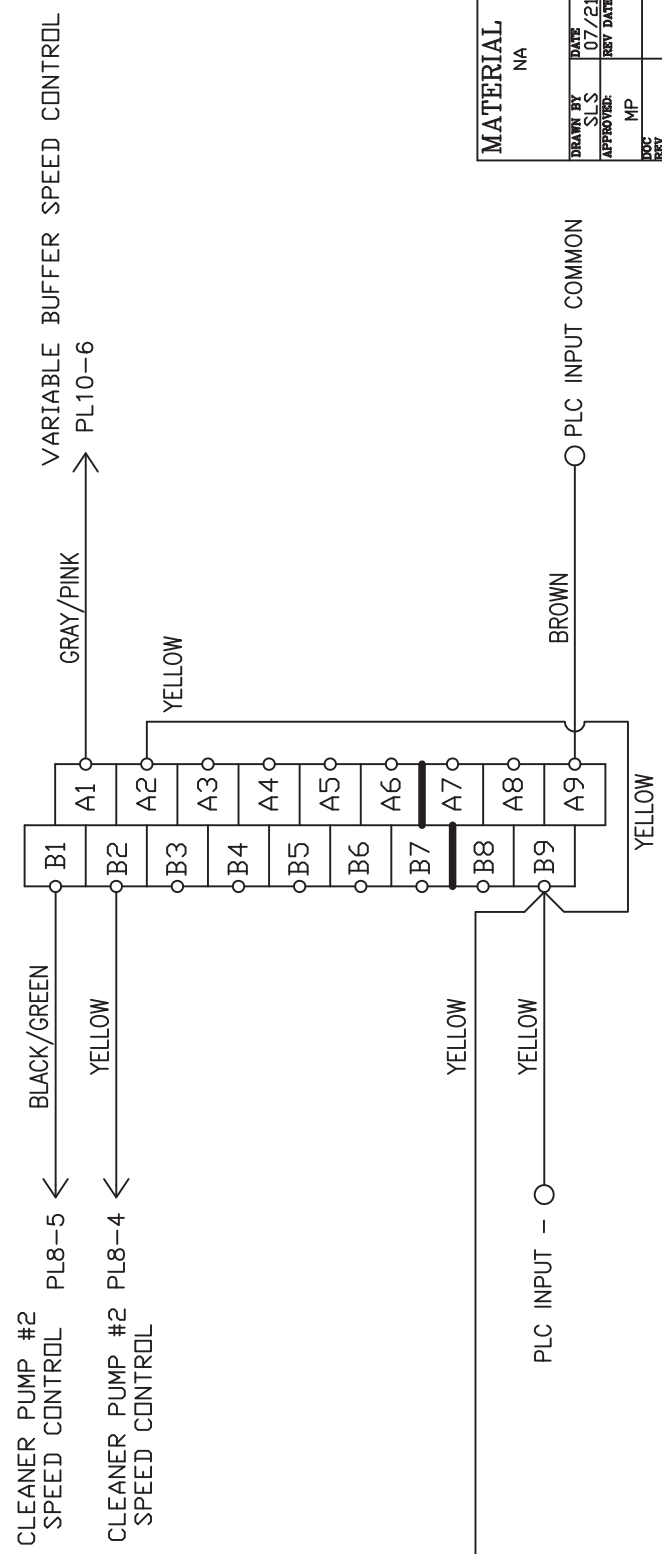
- FU1 - DRIVE MOTOR 7.5A
- FU2 - BUFFER MOTOR 10A/20A
- FU3 - VACUUM MOTOR 20A
- FU4 - DUSTER RELAY SWITCH RELAY
- FU5 - DUSTER POLARITY SWITCH RELAY
- FU6 - PIN JACK TREATMENT RELAY
- CR6 - POWER OFF RELAY
- CR7 - DUSTER WINDUP MOTOR RELAY
- CR8 - DUSTER UNWIND MOTOR RELAY
- CR9 - SQUEEGEE LIFT MOTOR RELAY
- CR10 - BRUSH LIFT MOTOR RELAY
- FU11 - PLC INPUT POWER/1.1 0.5A
- FU12 - TOUCH SCREEN 0.5A
- FU13 - CLEANER PUMP #1 3.2A
- FU14 - CLEANER PUMP #2 3.2A
- FU15 - CVR POWER 25A/30A
- FU16 - LED LIGHTS 1A
- FU17 - TRIGGER SOLENOID 3.2A
- CR1 - OIL VALVE RELAY TANK A
- CR2 - OIL VALVE RELAY TANK B
- CR3 - VACUUM MOTOR 20A
- CR4 - DUSTER RELAY SWITCH RELAY
- CR5 - PIN JACK TREATMENT RELAY
- CR6 - POWER OFF RELAY
- CR7 - DUSTER WINDUP MOTOR RELAY
- CR8 - DUSTER UNWIND MOTOR RELAY
- CR9 - SQUEEGEE LIFT MOTOR RELAY
- CR10 - BRUSH LIFT MOTOR RELAY
- CR11 - FORWARD DRIVE MOTOR RELAY
- CR12 - REVERSE DRIVE MOTOR RELAY
- CR13 - BUFFER MOTOR RELAY
- CR15 - BUFFER MOTOR RELAY
- CR16 - BUFFER MOTOR RELAY
- CR17 - BUFFER MOTOR RELAY
- CR18 - BUFFER MOTOR RELAY
- CR19 - VACUUM MOTOR RELAY
- CR20 - POWER RELAY
- PL1 - 10-PIN SIDE PLUG (15)
- PL2 - 10-PIN SIDE PLUG (12)
- PL3 - 10-PIN SIDE PLUG (9)
- PL4 - 7-PIN SIDE PLUG (12)
- PL5 - 7-PIN SIDE PLUG (12)
- PL6 - DRIVE SPEED BOARD PLUG (12)
- PL7 - CLEANER PUMP #1 SPEED BOARD PLUG (9)
- PL8 - CLEANER PUMP #2 SPEED BOARD PLUG (9)
- PL9 - HEAD DRIVE MOTOR 2.25A
- PL10 - BUFFER SPEED BOARD PLUG (12)
- PL11 - BUFFER MOTOR PLUG (5)
- PL12 - BUFFER MOTOR VARIABLE SPEED PLUG (5)
- PL13 - OIL PLATE ASSEMBLY PLUG (6)
- TB1 - TERMINAL BLOCK 1 (MAIN)
- TB2 - TERMINAL BLOCK 2 (10-PIN SIDE)
- TB3 - TERMINAL BLOCK 3 (7-PIN SIDE)
- TB4 - TERMINAL BLOCK 4 (OIL PLATE)

BUILT IN PLC ANALOG



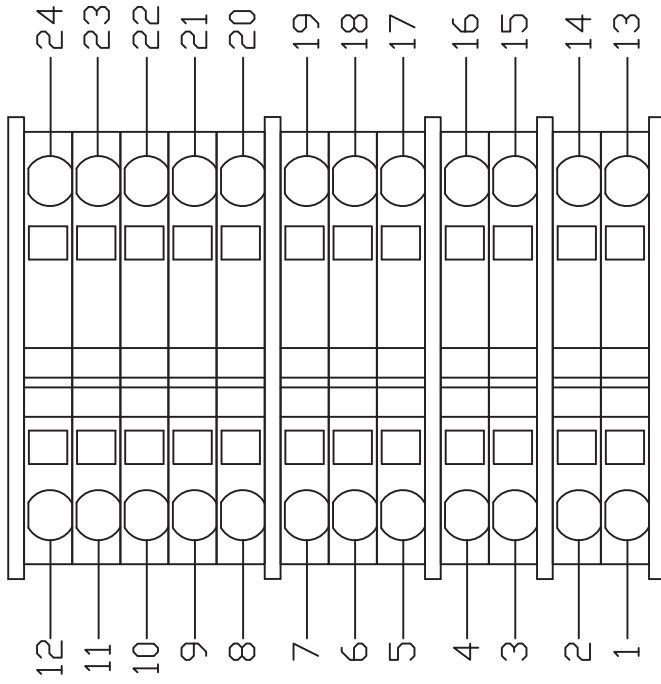
YELLOW

AD021 ANALOG ADD ON UNIT

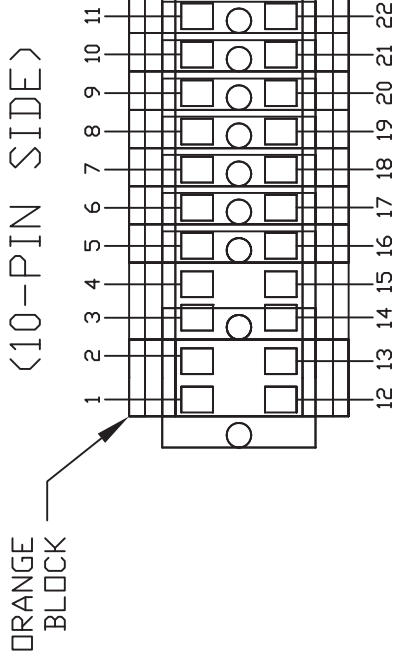


MATERIAL NA		KEGEL	
DRAWN BY SLS		DESCRIPTION ANALOG WIRING SCHEMATIC	
DATE 07/21/15		DO NOT SCALE DRAWING	
APPROVED: MP		SIZE C	
REV REV		QTY/MACHINE PART NUMBER	
SCALE N/A		FLEX 2016	
SHEET 5		OF 26	

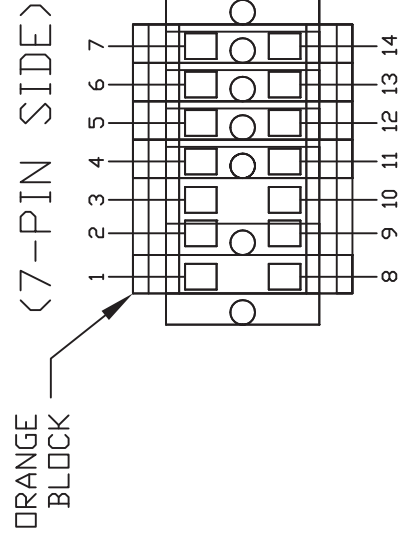
TB1 <MAIN>



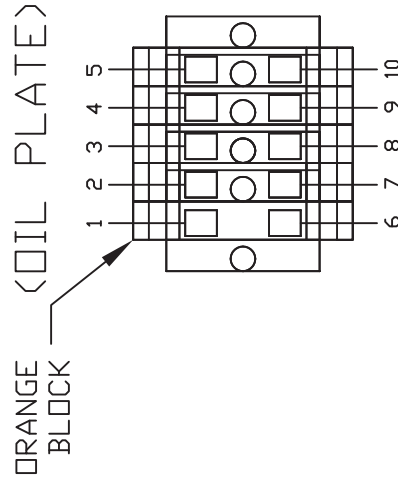
TB2



TB3



TB4



LEGEND

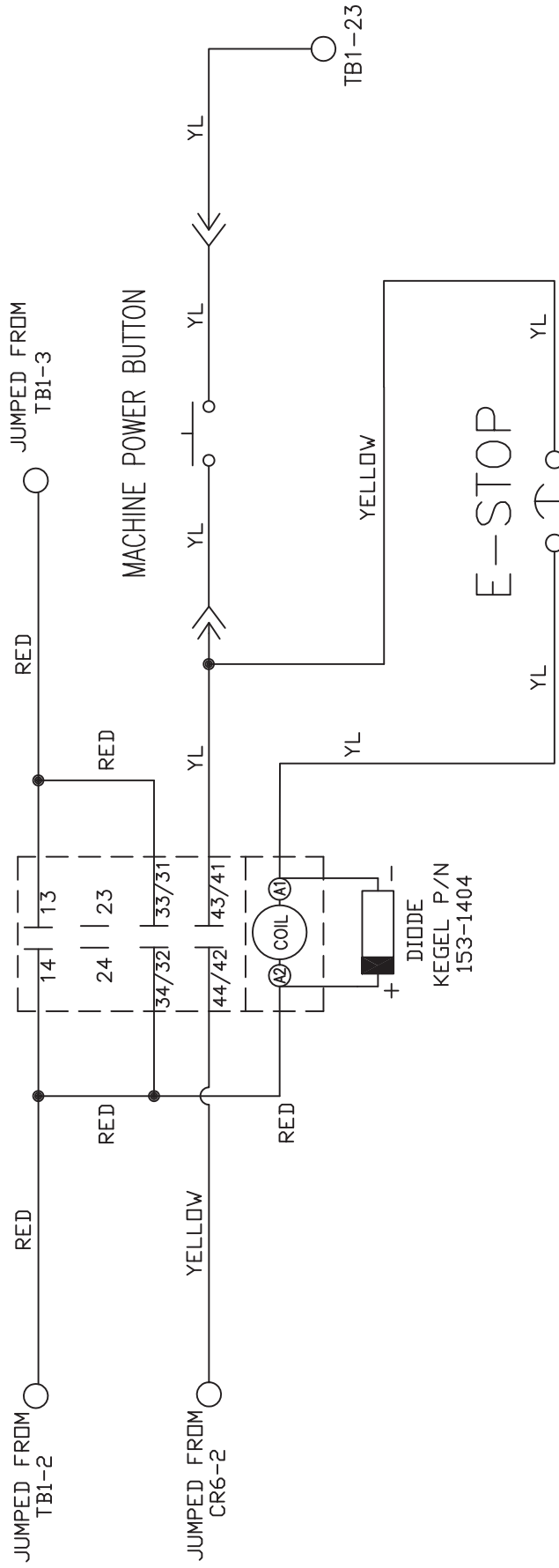
- TB1 - TERMINAL BLOCK 1 (MAIN)
- TB2 - TERMINAL BLOCK 2 (10-PIN SIDE)
- TB3 - TERMINAL BLOCK 3 (7-PIN SIDE)
- TB4 - TERMINAL BLOCK 4 (OIL PLATE)

MATERIAL NA		KEGEL 1961 LONGLEAF BLVD. LAKE WALKER, FL 33669 (863) 734-0900	
DRAWN BY SLS		DESCRIPTION TERMINAL BLOCK LAYOUT	
DATE 07/21/15	DO NOT SCALE DRAWING	SIZE C	REV DATE
APPROVED: MP	DO NOT SCALE DRAWING	SCALE N/A	REV FLEX
ISSUE REV	SCALE N/A	SECRET 6	DATE 2016

4 3 2 1

D C B A

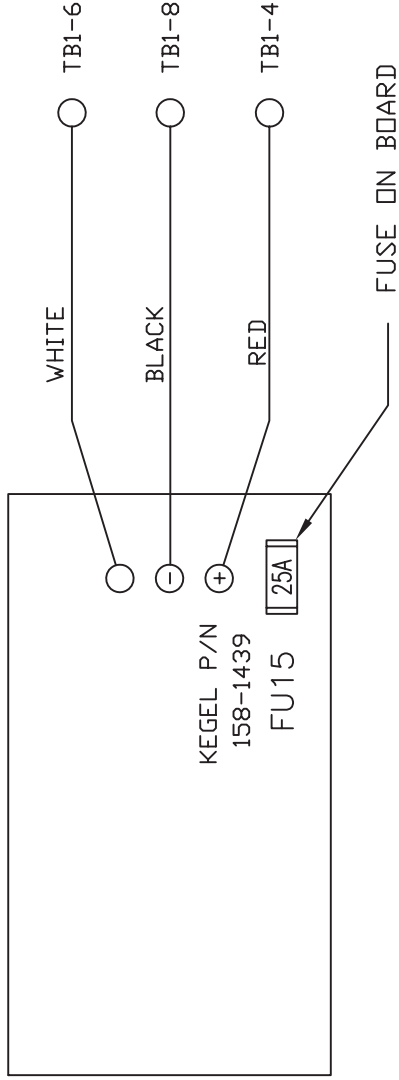
POWER RELAY
CR20



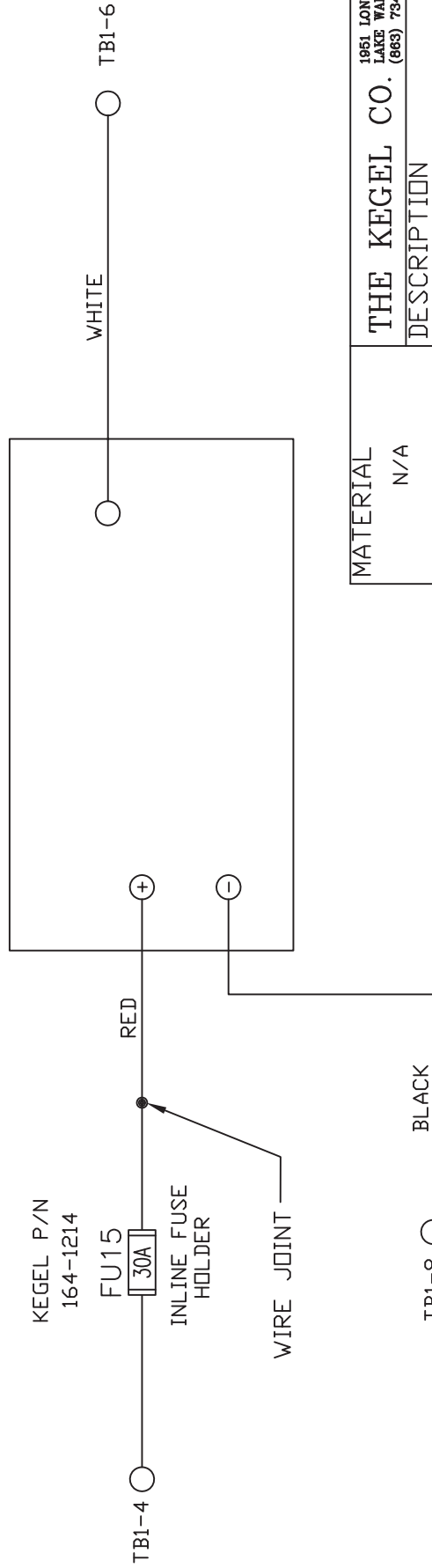
MATERIAL		THE KEGEL CO.		1951 LONGLEAF BLVD. LAKE WALES, FL 33869 (888) 734-0200	
N/A		DESCRIPTION POWER RELAY WIRING			
DRAWN BY	DATE	DO NOT SCALE DRAWING			
SLS	07/21/15	SIZE	QTY/MACHINE	PART NUMBER	
APPROVED:	REV DATE	A	N/A	FLEX	2016
MP		SCALE	N/A	SHEET	7 OF 26
DWG REV					

4 3 2 1

VOLTAGE REGULATOR



UPGRADED VOLTAGE REGULATOR



MATERIAL		1951 LONGLEAF BLVD. LAKE WALES, FL 33859 (888) 734-0200	
N/A		THE KEGEL CO.	
DRAWN BY		DESCRIPTION	
SLS		VOLTAGE REGULATOR WIRING	
DATE		DO NOT SCALE DRAWING	
07/21/15		SIZE	
REV DATE		QTY/MACHINE PART NUMBER	
MP		A N/A FLEX 2016	
DOC		SCALE	
REV		N/A	
		SHEET 8 OF 26	

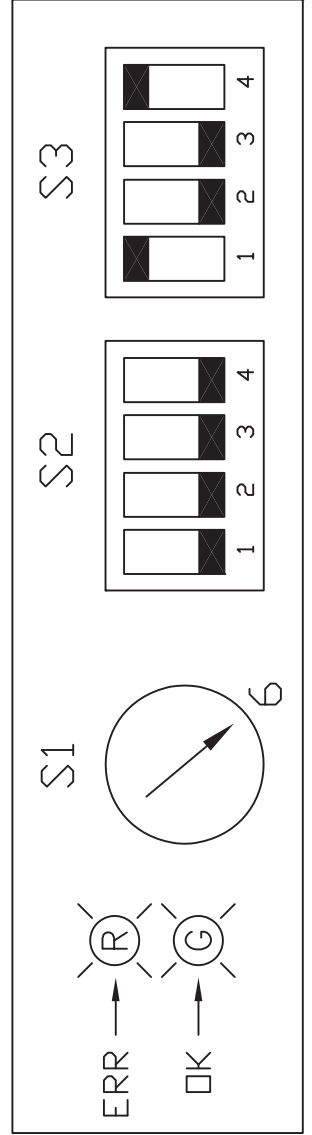
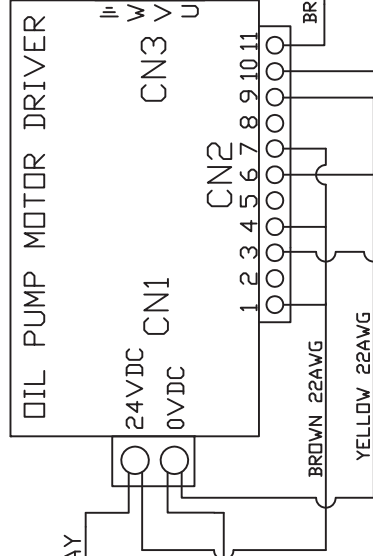
4 3 2 1

D C B A

OIL PUMP MOTOR



KEGEL P/N
154-1266

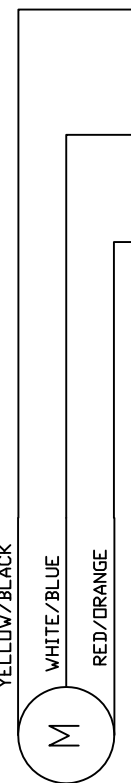


MATERIAL		THE KEGEL CO.		1951 LONGLEAF BLVD. LAKE WALES, FL 33869	
N/A		DESCRIPTION		OIL PUMP DRIVER & MOTOR WIRING	
DRAWN BY	DATE	DO NOT SCALE DRAWING		SIZE	
SLS	07/21/15	QTY/MACHINE PART NUMBER		A N/A FLEX 2016	
APPROVED:	REV DATE	SCALE		SHEET 9 OF 26	
MP		N/A		N/A	
DOC		N/A		SHEET 9 OF 26	
REV		N/A		SHEET 9 OF 26	

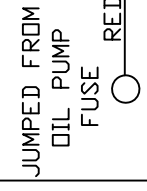
4 3 2 1

REV	LTR	DATE	DESCRIPTION	APPROVED
A		8/16/16	REMOVED PLUGS E/C# 16133	SLS

OIL HEAD MOTOR



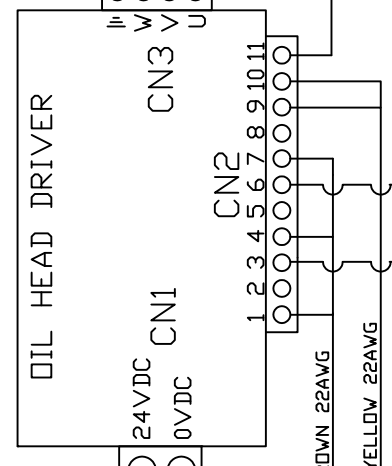
KEGEL P/N
154-1266
FU9
2.25A



WHITE/RED

BLACK

TB1-9



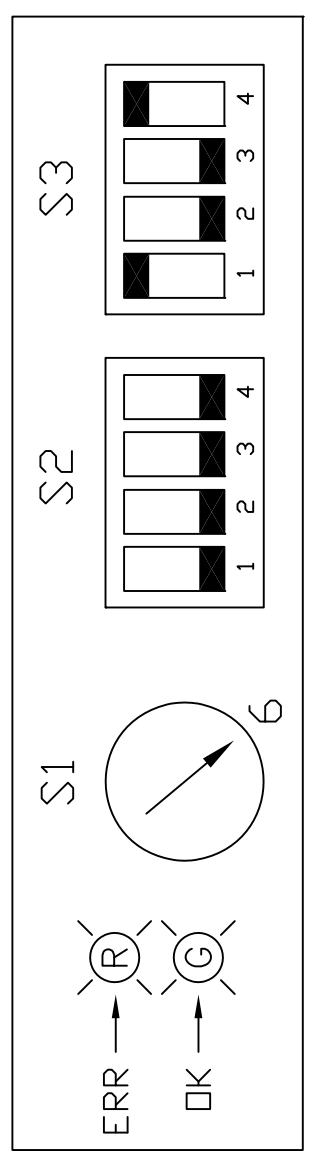
RED/ORANGE
WHITE/BLUE
YELLOW/BLACK

BROWN/YELLOW

OIL PUMP MOTOR
DRIVER CN2 #10

SHIELDED WIRE

PLC OUTPUTS
CH100 #05
PLC OUTPUTS
CH100 #04

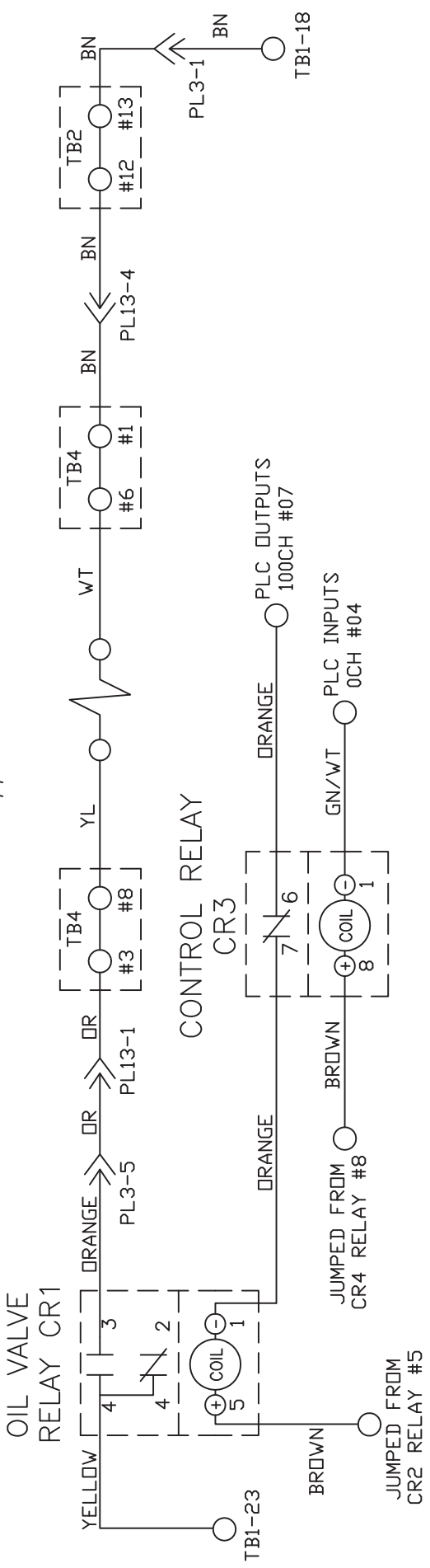


MATERIAL N/A		THE KEGEL CO. (689) 734-0200 1951 LONGLEAF BLVD. LAKE WALES, FL 33869	
DRAWN BY SLS	DATE 07/21/15	DESCRIPTION OIL HEAD DRIVER & MOTOR WIRING	
APPROVED: MP	REV DATE 8/16/16	DO NOT SCALE DRAWING SIZE A	QTY/MACHINE PART NUMBER N/A
DOC REV	SCALE N/A	SIZE A	QTY/MACHINE PART NUMBER N/A
		SCALE N/A	QTY/MACHINE PART NUMBER N/A
		SCALE N/A	QTY/MACHINE PART NUMBER N/A

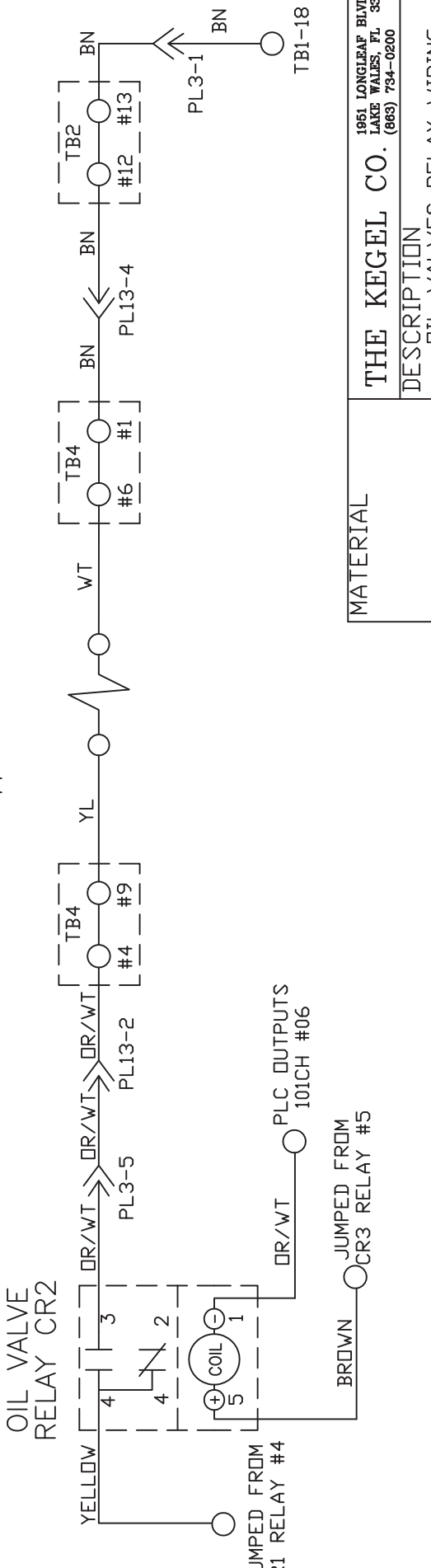
4 3 2 1

4 3 2 1

OIL VALVE #1 - TANK A



OIL VALVE #2 - TANK B



MATERIAL		THE KEGEL CO. 1951 LONGLEAF BLVD. LAKE WALES, FL 33869	
DESCRIPTION		OIL VALVES RELAY WIRING	
DRAWN BY	DATE	DO NOT SCALE DRAWING	
SLS	07/21/15	SIZE	QTY/MACHINE PART NUMBER
APPROVED:	REV DATE	A	N/A
MP		SCALE	N/A
DWG REV		SHEET	12 OF 26

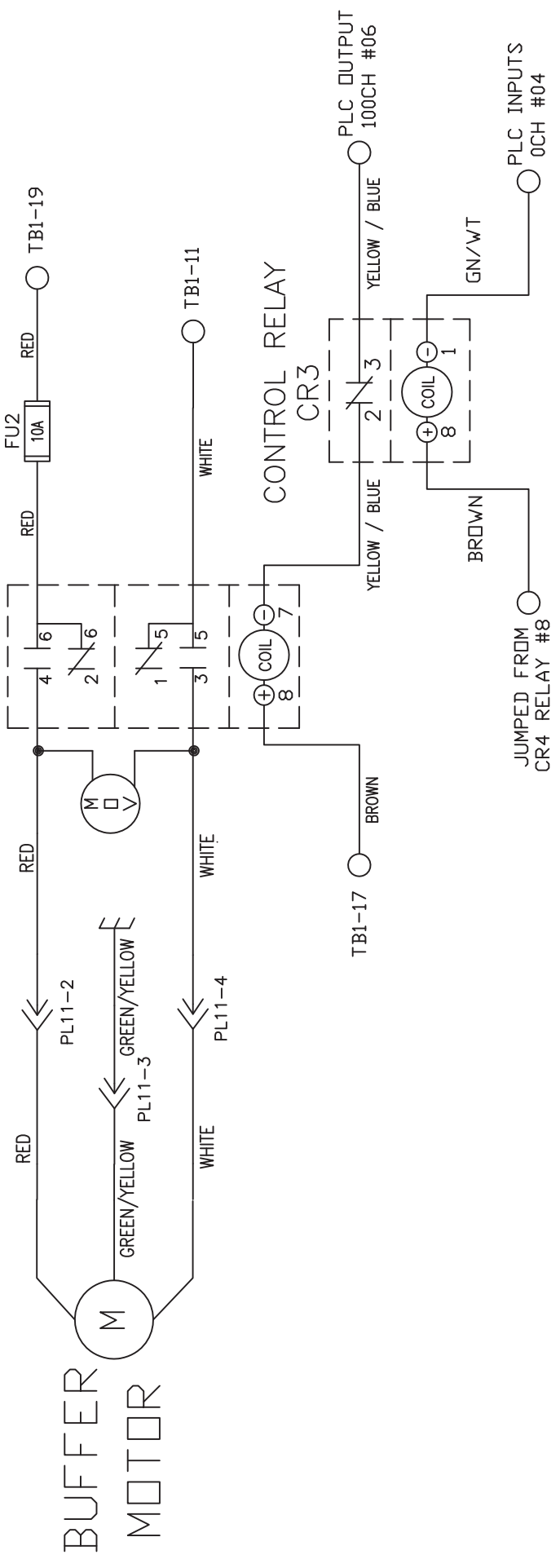
4 3 2 1

4 3 2 1

D C B A

BUFFER MOTOR RELAY CR13

KEGEL P/N
154-1273
FU2
10A



MATERIAL		THE KEGEL CO.		1951 LONGLEAF BLVD. LAKE WALES, FL 33869	
N/A		DESCRIPTION		BUFFER MOTOR WIRING	
DRAWN BY	DATE	DO NOT SCALE DRAWING	SIZE	QTY/MACHINE	PART NUMBER
SLS	07/21/15		A	N/A	FLEX 2016
APPROVED:	REV DATE		SCALE	N/A	SHEET 13 OF 26
MP					
DOC	REV				

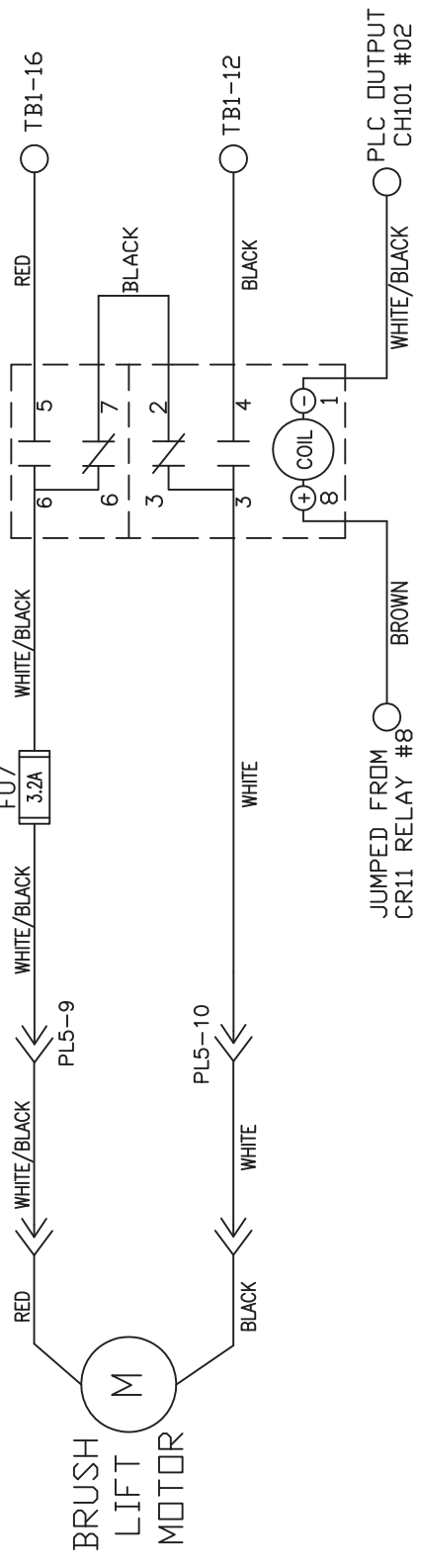
4 3 2 1

4 3 2 1

D C B A

BRUSH LIFT MOTOR RELAY CR10

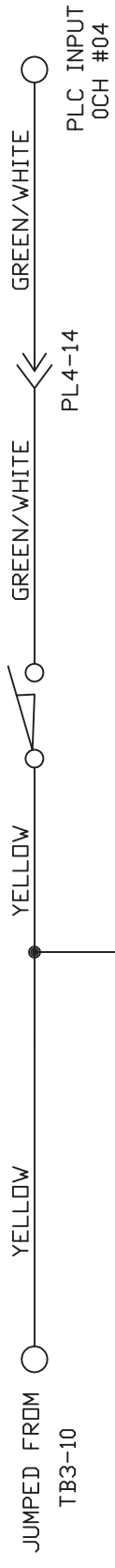
KEGEL P/N
154-1267
FU7
3.2A



JUMPED FROM
CR11 RELAY #8

PLC OUTPUT
CH101 #02

BRUSH UP SWITCH



PLC INPUT
OCH #04

BRUSH DOWN SWITCH



PLC INPUT
OCH #05

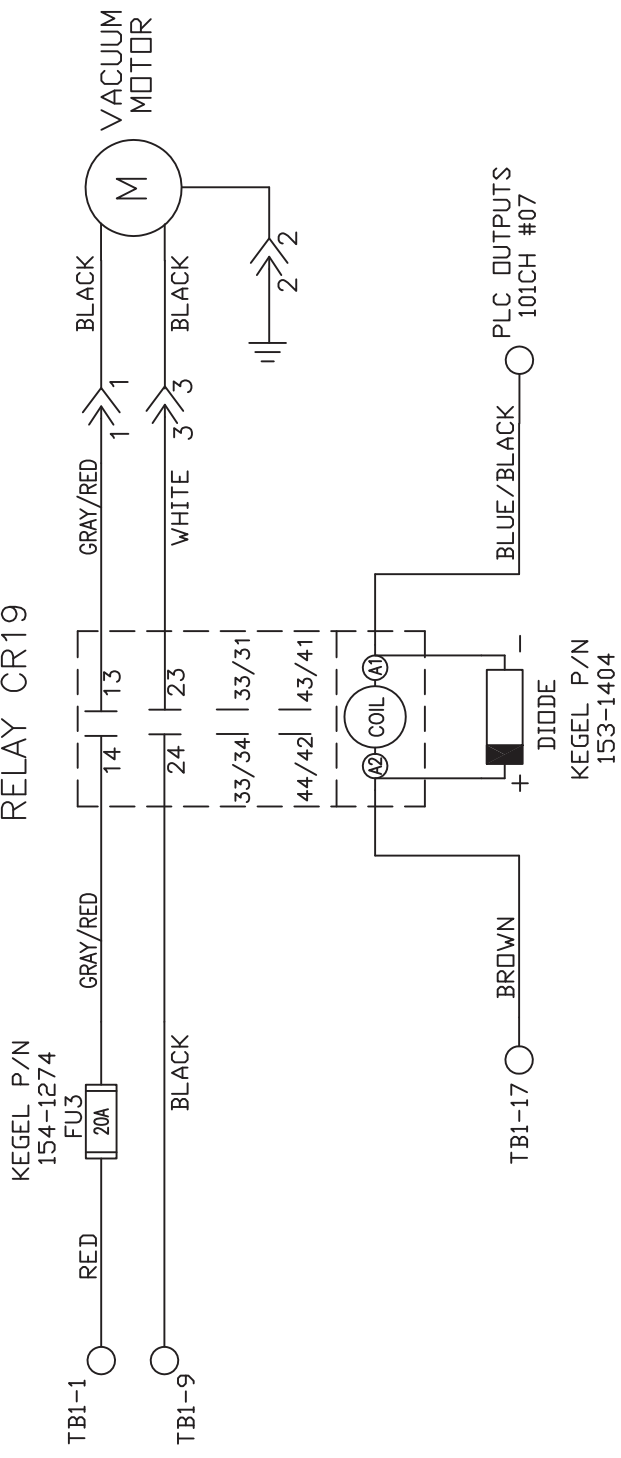
MATERIAL		THE KEGEL CO.		1951 LONGLEAF BLVD. LAKE WALES, FL 33869 (888) 734-0200	
N/A		DESCRIPTION		BRUSH LIFT MOTOR & SWITCH WIRING DO NOT SCALE DRAWING	
DRAWN BY	DATE	SIZE	QTY/MACHINE	PART NUMBER	
SLS	07/21/15	A	N/A	FLEX	2016
APPROVED:	REV DATE	SCALE	N/A	SHEET	15 OF 26
MP					
DWG	REV				

4 3 2 1

4 3 2 1

D C B A

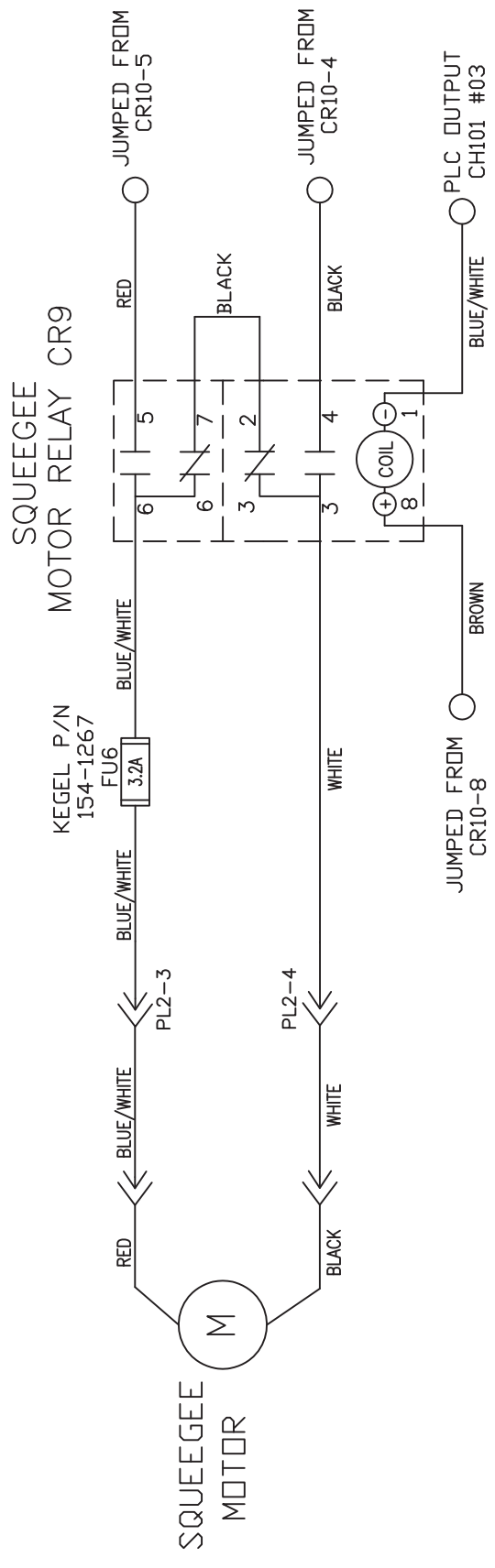
VACUUM MOTOR
RELAY CR19



MATERIAL		THE KEGEL CO. 1951 LONGLEAF BLVD. LAKE WALES, FL 33869 (888) 734-0200	
N/A		DESCRIPTION VACUUM MOTOR WIRING	
DRAWN BY	DATE	DO NOT SCALE DRAWING	
SLS	07/21/15	SIZE	QTY/MACHINE PART NUMBER
APPROVED:	REV DATE	A	N/A
MP		SCALE	N/A
DWG REV		SHEET	16 OF 26

4 3 2 1

4 3 2 1



MATERIAL		THE KEGEL CO. (866) 734-0200	
N/A		1951 LONGLEAF BLVD. LAKE WALES, FL 33859	
DESCRIPTION	SQUEEGEE MOTOR & SWITCH WIRING DO NOT SCALE DRAWING		
DATE	07/21/15	SIZE	A
REV DATE		QTY/MACHINE	N/A
MP		SCALE	N/A
DOC REV		SHEET	17 OF 26

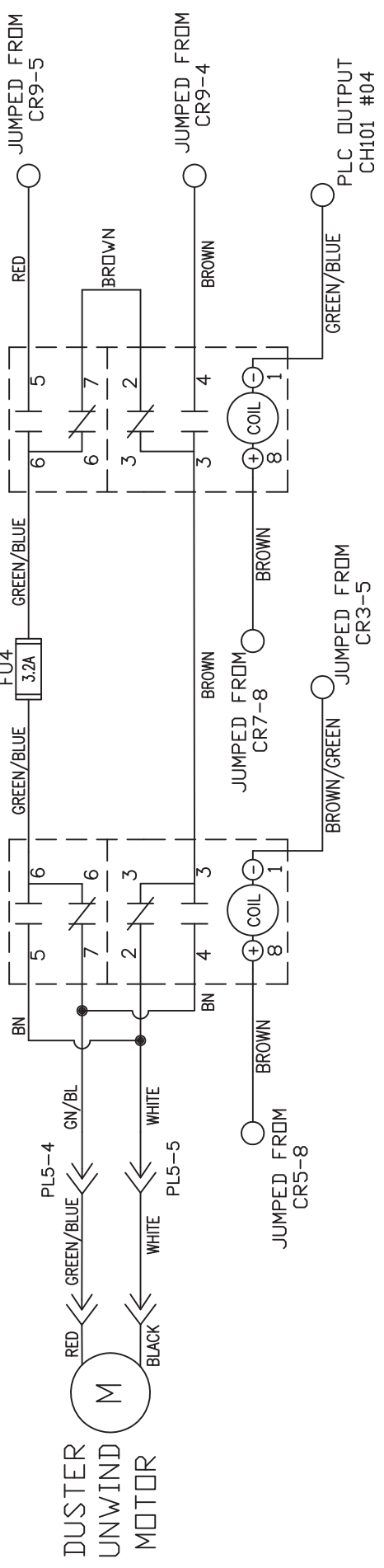
4 3 2 1

4 3 2 1

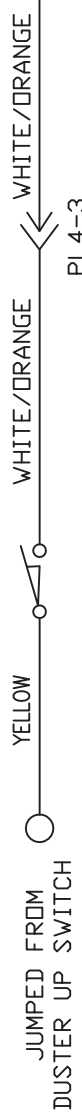
DUSTER POLARITY RELAY CR4

DUSTER UNWIND MOTOR RELAY CR8

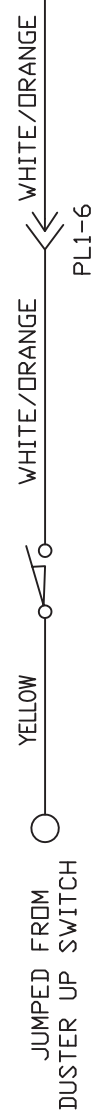
KEGEL P/N 154-1267



7-PIN SIDE FAIL SAFE SWITCH



10-PIN SIDE FAIL SAFE SWITCH

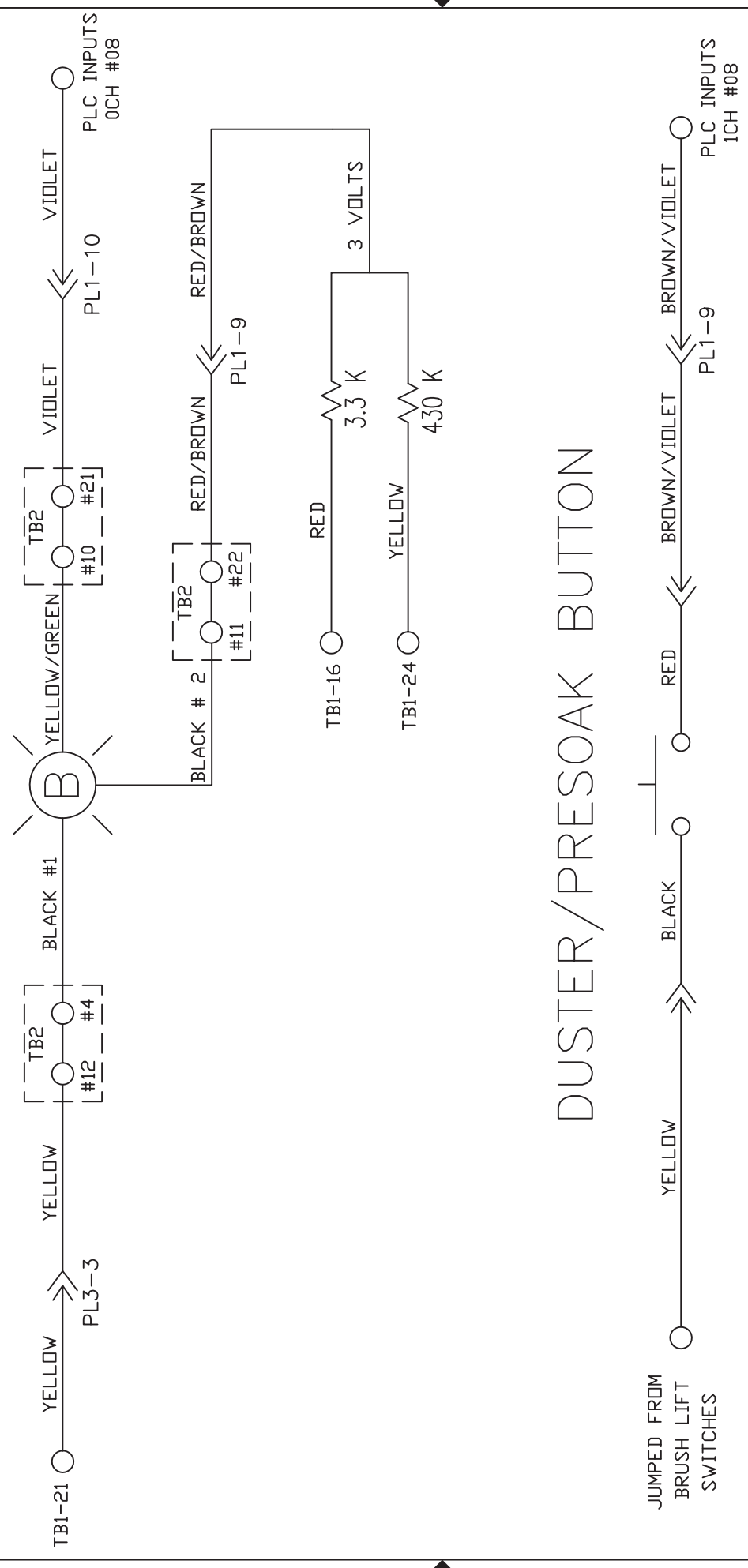


MATERIAL		THE KEGEL CO.		1951 LONGLEAF BLVD. LAKE WALES, FL 33869 (888) 734-0200	
N/A		DESCRIPTION		DUSTER UNWIND & SWITCH WIRING DO NOT SCALE DRAWING	
DRAWN BY	DATE	SIZE	QTY/MACHINE	PART NUMBER	
SLS	07/21/15	A	N/A	FLEX	2016
APPROVED:	REV DATE	SCALE	N/A	SHEET	18 OF 26
MP					
DWG REV					

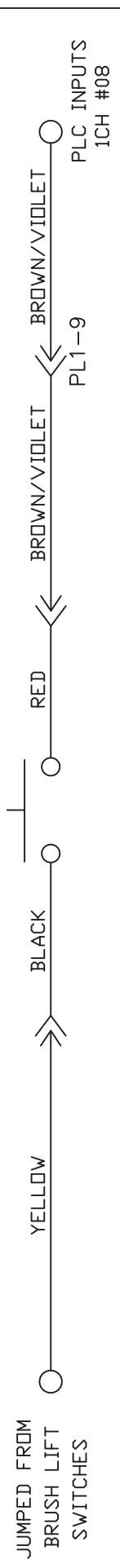
4 3 2 1

4 3 2 1

START BUTTON

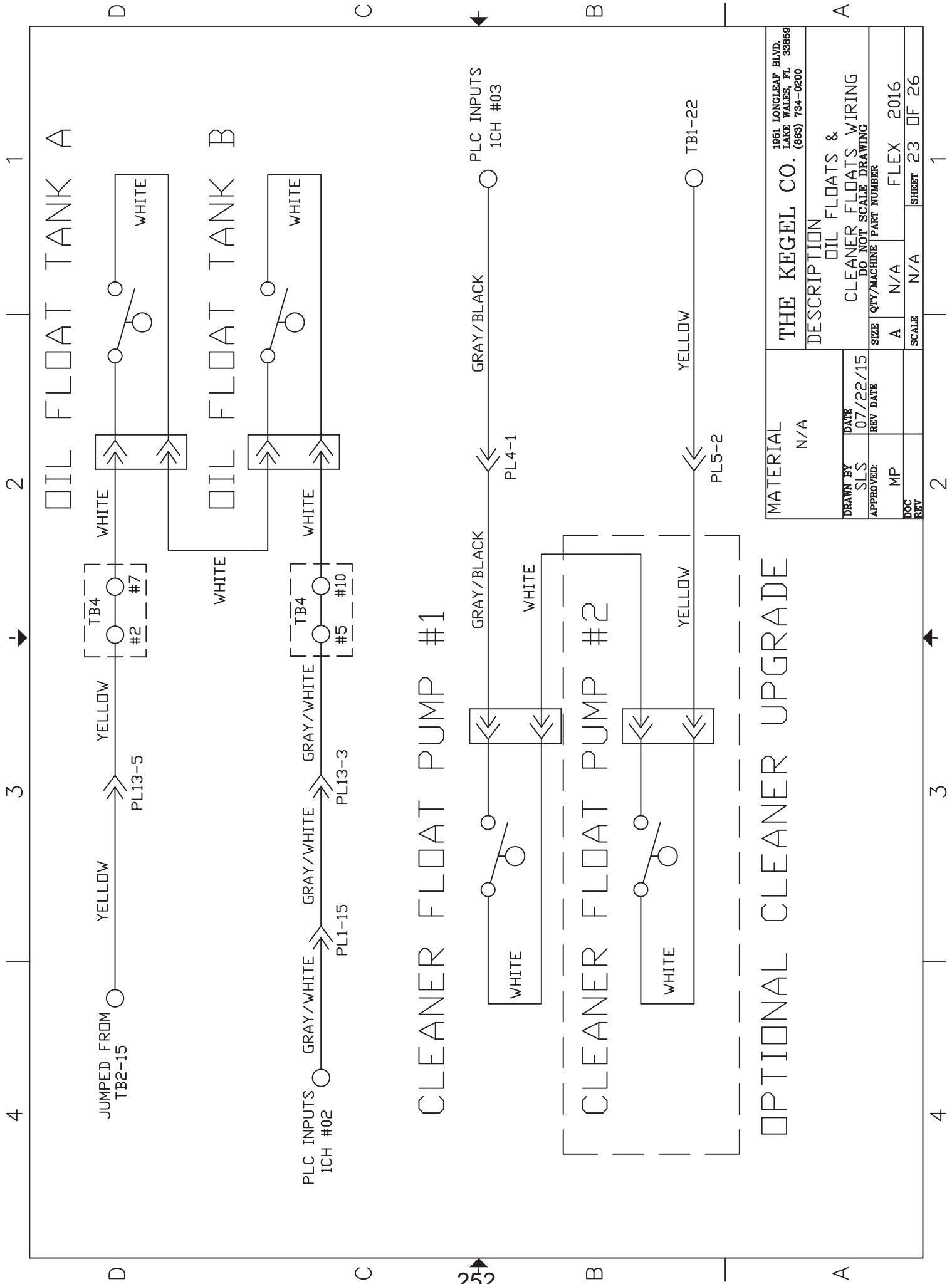


DUSTER/PRESOAK BUTTON



MATERIAL		1951 LONGLEAF BLVD. LAKE WALES, FL 33869	
N/A		THE KEGEL CO. (866) 734-0200	
DESCRIPTION		START BUTTON &	
DRAWN BY		DUSTER/PRESOAK BUTTON	
DATE		DO NOT SCALE DRAWING	
SLS		07/22/15	
APPROVED:		SIZE QTY/MACHINE PART NUMBER	
MP		A N/A FLEX 2016	
DOC		SCALE N/A SHEET 22 OF 26	
REV		1	

4 3 2 1



OIL FLOAT TANK A

OIL FLOAT TANK B

CLEANER FLOAT PUMP #1

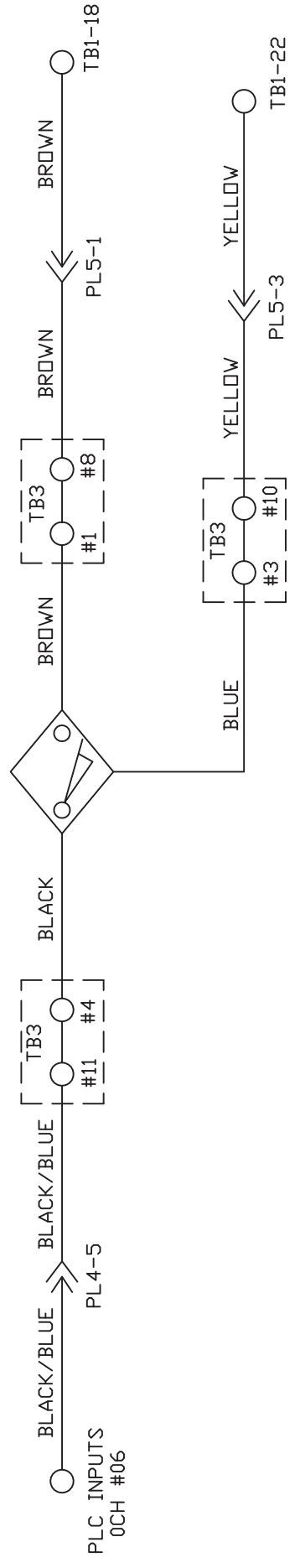
CLEANER FLOAT PUMP #2

OPTIONAL CLEANER UPGRADE

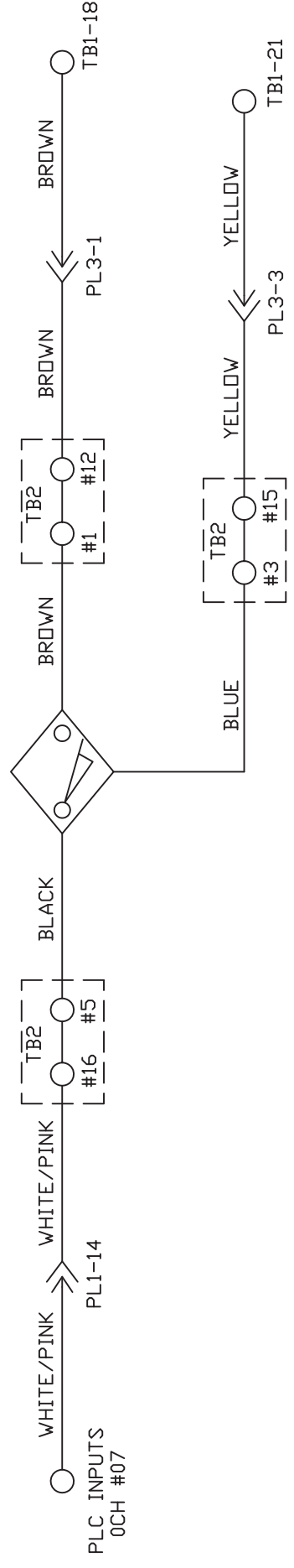
MATERIAL		1951 LONGLEAF BLVD. LAKE WALES, FL 33869	
N/A		THE KEGEL CO. (869) 734-0200	
DRAWN BY	DATE	DESCRIPTION	
SLS	07/22/15	OIL FLOATS & CLEANER FLOATS WIRING	
APPROVED:	REV DATE	DO NOT SCALE DRAWING	
MP		SIZE	QTY/MACHINE PART NUMBER
		A	N/A
DOC		SCALE	N/A
REV			FLEX 2016
			SHEET 23 OF 26

4 3 2 1

SPEED TACH PROX



LANE DISTANCE PROX



MATERIAL		1951 LONGLEAF BLVD. LAKE WALES, FL 33869	
N/A		THE KEGEL CO. (888) 734-0200	
DESCRIPTION			
SPEED TACH & LANE DISTANCE WIRING			
DO NOT SCALE DRAWING			
SIZE	QTY/MACHINE	PART NUMBER	
A	N/A	FLEX	2016
DOC	SCALE	N/A	SHEET 24 OF 26
REV			1

1 2 3 4

4 3 2 1

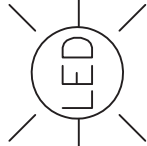
TB1-15

KEGEL P/N
155-1229
FUJ16
1A

PL4-12

RED/GREEN

RED/GREEN



YELLOW/WHITE

YELLOW

YELLOW

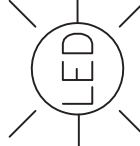
YELLOW

TB3-2

LED TANK
LIGHT SWITCH

YELLOW

LED ARROW
LIGHT



RED/GREEN

D

C

B

A

D

C

B

A

254

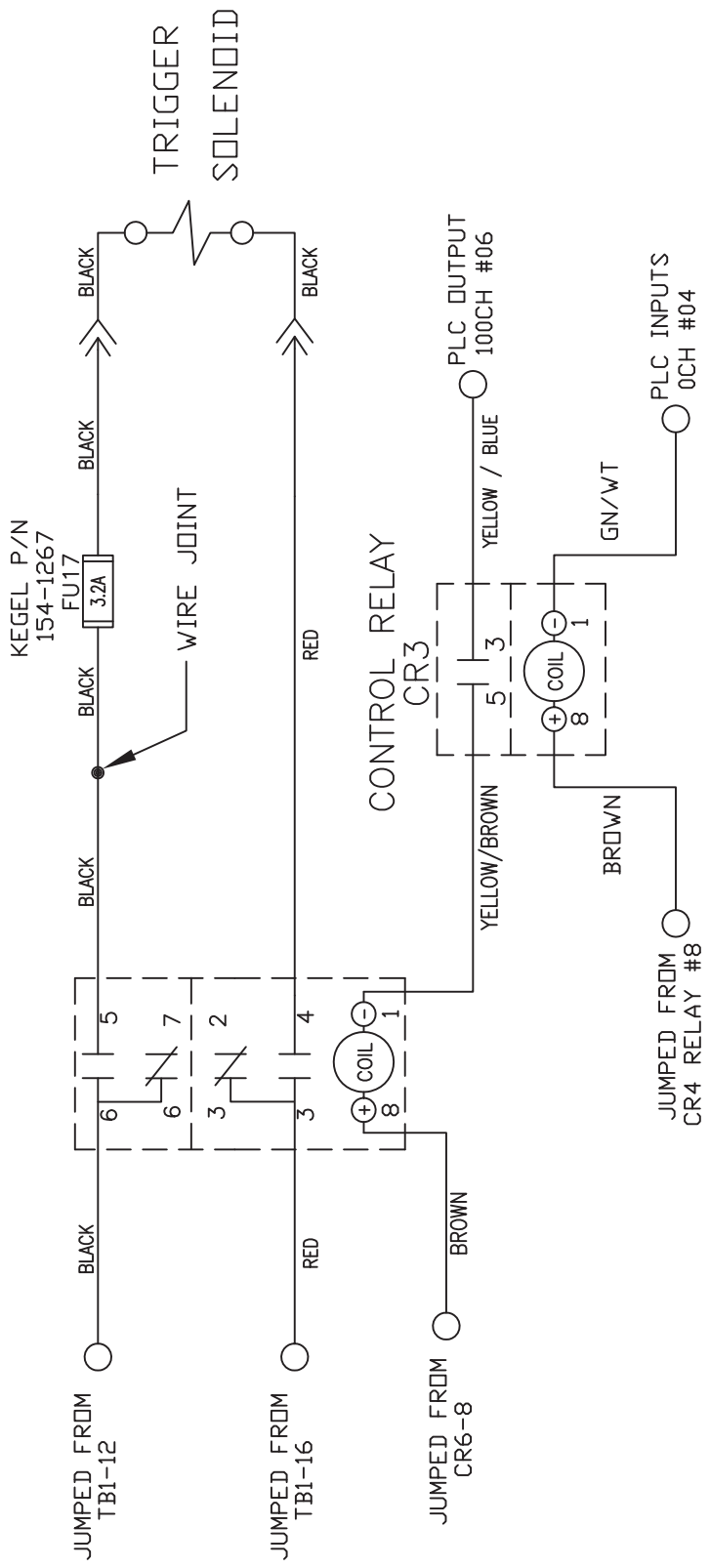
MATERIAL		THE KEGEL CO.		1951 LONGLEAF BLVD. LAKE WALES, FL 33859	
N/A		DESCRIPTION		LED TANK LIGHT WIRING	
DRAWN BY	DATE	DO NOT SCALE DRAWING		SIZE	QTY/MACHINE PART NUMBER
SLS	07/22/15			A	N/A
APPROVED:	REV DATE			SCALE	N/A
MP					FLEX 2016
DOC				SHEET	25 OF 26
REV					

4 3 2 1

4 3 2 1

D C B A

PIN DECK TREATMENT
RELAY CR5



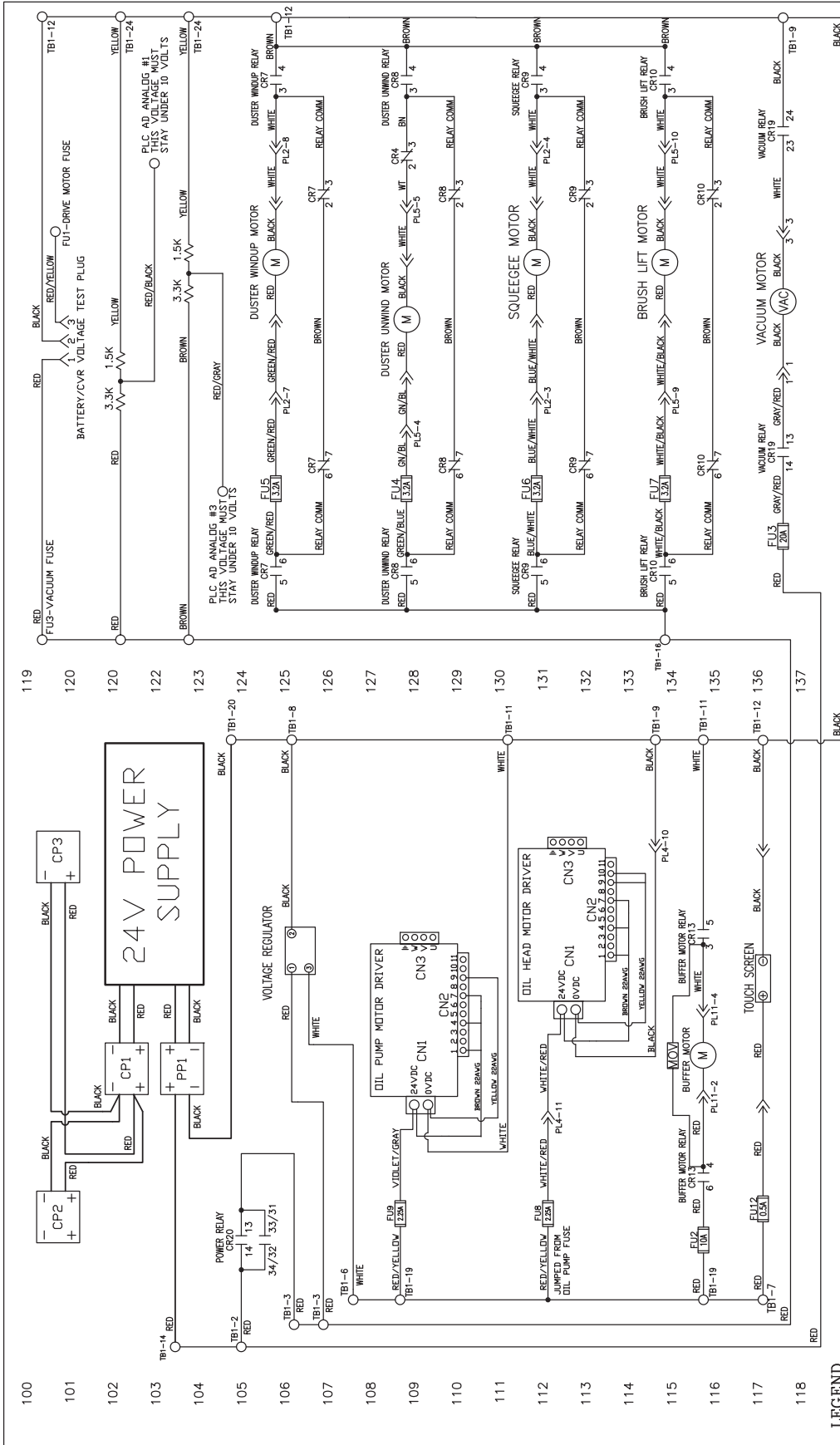
MATERIAL		1951 LONGLEAF BLVD. LAKE WALES, FL 33859	
N/A		THE KEGEL CO. (888) 734-0200	
DRAWN BY	DATE	DESCRIPTION	
SLS	07/22/15	TRIGGER SOLENOID WIRING	
APPROVED:	REV DATE	DO NOT SCALE DRAWING	
MP		SIZE	QTY/MACHINE PART NUMBER
		A	N/A
DOC		SCALE	N/A
REV			
			SHEET 26 OF 26

4 3 2 1

FLEX WALKER ELECTRICAL DRAWING

The following diagrams show wiring schematics for the Kustodian Walker. Detailed diagrams for the Ion follow this section. If you have any questions please call 863-734-0200 or email tech@kegel.net .

Flex Walker Motor Wiring Layout	257
Flex Walker Output Wiring Layout	258
Flex Walker Input Wiring Layout	259
Flex Walker Speed Control Wiring Layout	260
Flex Walker Analog Wiring Layout	261
Flex Walker Terminal Block Wiring Layout	262
Flex Walker Power Wiring Layout	263
Flex Walker Voltage Regulator Wiring Layout	264
Flex Walker Oil Pump Driver & Motor Wiring Layout	265
Flex Walker Oil-Cleaner Head Driver & Motor Wiring Layout	266
Flex Walker L-R & R-L Head Proximity Sensor Wiring Layout.....	267
Flex Walker Oil Valves Wiring Layout	268
Flex Walker Buffer Motor Wiring Layout.....	269
Flex Walker Variable Buffer Wiring Layout	270
Flex Walker Brush Lift Motor Wiring Layout	271
Flex Walker Vacuum Wiring Layout	272
Flex Walker Squeegee Motor & Switch Wiring Layout.....	273
Flex Walker Duster Unwind Motor & Switch Wiring Layout.....	274
Flex Walker Duster Windup Motor & Switch Wiring Layout.....	275
Flex Walker Cleaner Pump #1 Wiring Layout	276
Flex Walker Cleaner Pump #2 Wiring Layout	277
Flex Walker Duster Presoak Button & Trigger Solenoid Wiring Layout.....	278
Flex Walker Oil Float & Cleaner Float Wiring Layout.....	279
Flex Walker Speed Tach & LDS Wiring Layout.....	280
Flex Walker LED Tank Light Wiring Layout.....	281
Flex Walker 7-Pin & 10-Pin Side Approach Distance Senor Wiring Layout	282
Flex Walker Bumper & Whisker Switch Wiring Layout.....	283



LEGEND

- CR1 - OIL VALVE RELAY TANK A
- CR2 - OIL VALVE RELAY TANK B
- CR3 - CONTROL RELAY
- CR4 - DUSTER POLARITY SWITCH RELAY
- CR5 - PIN DECK TREATMENT RELAY
- CR6 - POWER OFF RELAY
- CR7 - DUSTER WINDUP MOTOR RELAY
- CR8 - DUSTER UNWIND MOTOR RELAY
- CR9 - SQUEEGEE LIFT MOTOR RELAY
- CR10 - BRUSH LIFT MOTOR RELAY
- CR11 - FORWARD DRIVE MOTOR RELAY
- CR12 - REVERSE DRIVE MOTOR RELAY
- CR13 - BUFFER MOTOR RELAY
- CR14 - WHISKER ENABLE RELAY
- CR15 - WHISKER 7 PIN SIDE RELAY
- CR16 - WHISKER 10 PIN SIDE RELAY
- CR17 - ZTR REVERSE RELAY
- CR18 - ZTR REVERSE RELAY
- CR19 - VACUUM MOTOR RELAY
- CR20 - POWER RELAY

FU1 - DRIVE MOTOR 7.5A
 FU2 - BUFFER MOTOR 10A/20A
 FU3 - VACUUM MOTOR 20A
 FU4 - DUSTER UNWIND 3.2A
 FU5 - DUSTER WINDUP 3.2A
 FU6 - SQUEEGEE MOTOR 3.2A
 FU7 - BRUSH LIFT MOTOR 3.2A
 FU8 - DUSTER MOTOR 2.25A
 FU9 - HEAD DRIVE MOTOR 2.25A
 FU10 - OIL PUMP MOTOR 0.5A
 FU11 - PLC INPUT POWER/L1 0.5A
 FU12 - TOUCH SCREEN 0.5A
 FU13 - BUFFER MOTOR 0.5A
 FU14 - CLEANER PUMP #1 3.2A
 FU15 - CYR POWER 25A/30A
 FU16 - LED LIGHTS
 FU17 - TRIGGER SOLENOID 3.2A

TBI1 - TERMINAL BLOCK 1 (MAIN)
 TBI2 - TERMINAL BLOCK 2 (10-PIN SIDE)
 TBI3 - TERMINAL BLOCK 3 (7-PIN SIDE)
 TBI4 - TERMINAL BLOCK 4 (OIL PLATE)
 TBI5 - TERMINAL BLOCK 5 (TOP PLC PLATE)

PL1 - 10-PIN SIDE PLUG (15)
 PL2 - 10-PIN SIDE PLUG (12)
 PL3 - 10-PIN SIDE PLUG (9)
 PL4 - 7-PIN SIDE PLUG (15)
 PL5 - 7-PIN SIDE PLUG (12)
 PL6 - DRIVE SPEED BOARD PLUG (12)
 PL7 - CLEANER PUMP #1 SPEED BOARD PLUG (9)
 PL8 - CLEANER PUMP #2 SPEED BOARD PLUG (9)
 PL9 - ZTR DRIVE MOTOR PLUG (3)
 PL10 - BUFFER MOTOR BOARD PLUG (12)
 PL11 - BUFFER MOTOR PLUG (5)
 PL12 - BUFFER MOTOR VARIABLE SPEED PLUG (5)
 PL13 - OIL PLATE ASSEMBLY PLUG (6)

TBI - 10-PIN SIDE PLUG (15)
 TBI2 - 10-PIN SIDE PLUG (12)
 TBI3 - 10-PIN SIDE PLUG (9)
 TBI4 - 7-PIN SIDE PLUG (15)
 TBI5 - 7-PIN SIDE PLUG (12)
 TBI6 - DRIVE SPEED BOARD PLUG (12)
 TBI7 - CLEANER PUMP #1 SPEED BOARD PLUG (9)
 TBI8 - CLEANER PUMP #2 SPEED BOARD PLUG (9)
 TBI9 - ZTR DRIVE MOTOR PLUG (3)
 TBI10 - BUFFER MOTOR BOARD PLUG (12)
 TBI11 - BUFFER MOTOR PLUG (5)
 TBI12 - BUFFER MOTOR VARIABLE SPEED PLUG (5)

VIEW OF PLUGS FROM CONTROLLER

15 PINOUT
 PLUG 1
 PLUG 2
 PLUG 3
 PLUG 4
 PLUG 5
 PLUG 6
 PLUG 7
 PLUG 8
 PLUG 9
 PLUG 10
 PLUG 11
 PLUG 12
 PLUG 13

9 PINOUT
 PLUG 1
 PLUG 2
 PLUG 3
 PLUG 4
 PLUG 5
 PLUG 6
 PLUG 7
 PLUG 8
 PLUG 9

6 PINOUT
 PLUG 1
 PLUG 2
 PLUG 3
 PLUG 4
 PLUG 5
 PLUG 6

3 PINOUT
 PLUG 1
 PLUG 2
 PLUG 3

5 PINOUT
 PLUG 1
 PLUG 2
 PLUG 3
 PLUG 4
 PLUG 5

12 PINOUT
 PLUG 1
 PLUG 2
 PLUG 3
 PLUG 4
 PLUG 5
 PLUG 6
 PLUG 7
 PLUG 8
 PLUG 9
 PLUG 10
 PLUG 11
 PLUG 12

15 PINOUT
 PLUG 1
 PLUG 2
 PLUG 3
 PLUG 4
 PLUG 5
 PLUG 6
 PLUG 7
 PLUG 8
 PLUG 9
 PLUG 10
 PLUG 11
 PLUG 12
 PLUG 13
 PLUG 14
 PLUG 15

CP1 - CHARGING PLUG BATTERY (BLUE)
 CP2 - CHARGING PLUG INSIDE (BLUE)
 CP3 - CHARGING PLUG OUTSIDE (BLUE)
 PP1 - POWER PLUG (RED)

MATERIAL
 N/A

DESCRIPTION
 MOTOR WIRING SCHEMATIC

DATE
 07/17/15

DRAWN BY
 SLS

APPROVED:
 MP

SIZE
 C

QTY/MACHINE PART NUMBER
 N/A

SCALE
 N/A

REV
 1

ISS. LOCATION
 LAKE WALKER, FL 32809
 (888) 794-0800

DO NOT SCALE DRAWING

DATE
 07/17/15

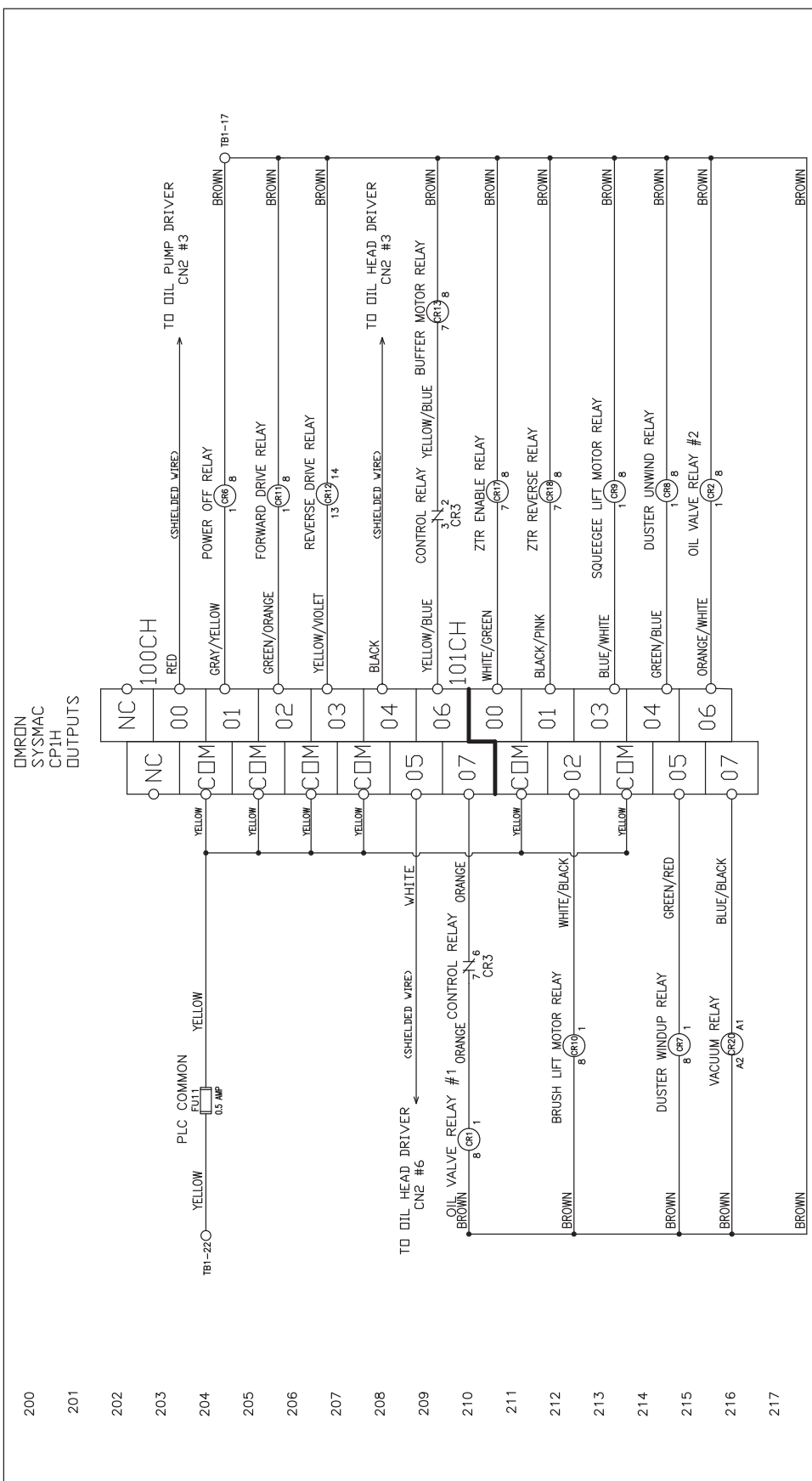
SIZE
 C

QTY/MACHINE PART NUMBER
 N/A

SCALE
 N/A

REV
 1

ISS. LOCATION
 LAKE WALKER, FL 32809
 (888) 794-0800



200 DMRDN
201 SYSMAC
202 CPHH
203 OUTPUTS

204 PLC COMMON
205 YELLOW
206 0.5 AMP
207 TB1-22
208 YELLOW

209 TO OIL VALVE RELAY #1
210 ORANGE
211 CR3
212 TO OIL HEAD DRIVER
213 WHITE
214 CN2 #6
215 TO OIL HEAD DRIVER
216 BLACK
217 CN2 #3
218 TO OIL PUMP DRIVER
219 BROWN
220 CN2 #3

221 TO OIL VALVE RELAY #1
222 ORANGE
223 CR3
224 BRUSH LIFT MOTOR RELAY
225 WHITE/BLACK
226 CR1
227 DUSTER WINDUP RELAY
228 GREEN/RED
229 CR2
230 VACUUM RELAY
231 BLUE/BLACK
232 CR4
233 TB1-17
234 BROWN

235 TO OIL VALVE RELAY #1
236 ORANGE
237 CR3
238 BRUSH LIFT MOTOR RELAY
239 WHITE/BLACK
240 CR1
241 DUSTER WINDUP RELAY
242 GREEN/RED
243 CR2
244 VACUUM RELAY
245 BLUE/BLACK
246 CR4
247 TB1-17
248 BROWN

249 TO OIL VALVE RELAY #1
250 ORANGE
251 CR3
252 BRUSH LIFT MOTOR RELAY
253 WHITE/BLACK
254 CR1
255 DUSTER WINDUP RELAY
256 GREEN/RED
257 CR2
258 VACUUM RELAY
259 BLUE/BLACK
260 CR4
261 TB1-17
262 BROWN

263 TO OIL VALVE RELAY #1
264 ORANGE
265 CR3
266 BRUSH LIFT MOTOR RELAY
267 WHITE/BLACK
268 CR1
269 DUSTER WINDUP RELAY
270 GREEN/RED
271 CR2
272 VACUUM RELAY
273 BLUE/BLACK
274 CR4
275 TB1-17
276 BROWN

277 TO OIL VALVE RELAY #1
278 ORANGE
279 CR3
280 BRUSH LIFT MOTOR RELAY
281 WHITE/BLACK
282 CR1
283 DUSTER WINDUP RELAY
284 GREEN/RED
285 CR2
286 VACUUM RELAY
287 BLUE/BLACK
288 CR4
289 TB1-17
290 BROWN

291 TO OIL VALVE RELAY #1
292 ORANGE
293 CR3
294 BRUSH LIFT MOTOR RELAY
295 WHITE/BLACK
296 CR1
297 DUSTER WINDUP RELAY
298 GREEN/RED
299 CR2
300 VACUUM RELAY
301 BLUE/BLACK
302 CR4
303 TB1-17
304 BROWN

305 TO OIL VALVE RELAY #1
306 ORANGE
307 CR3
308 BRUSH LIFT MOTOR RELAY
309 WHITE/BLACK
310 CR1
311 DUSTER WINDUP RELAY
312 GREEN/RED
313 CR2
314 VACUUM RELAY
315 BLUE/BLACK
316 CR4
317 TB1-17
318 BROWN

319 TO OIL VALVE RELAY #1
320 ORANGE
321 CR3
322 BRUSH LIFT MOTOR RELAY
323 WHITE/BLACK
324 CR1
325 DUSTER WINDUP RELAY
326 GREEN/RED
327 CR2
328 VACUUM RELAY
329 BLUE/BLACK
330 CR4
331 TB1-17
332 BROWN

333 TO OIL VALVE RELAY #1
334 ORANGE
335 CR3
336 BRUSH LIFT MOTOR RELAY
337 WHITE/BLACK
338 CR1
339 DUSTER WINDUP RELAY
340 GREEN/RED
341 CR2
342 VACUUM RELAY
343 BLUE/BLACK
344 CR4
345 TB1-17
346 BROWN

347 TO OIL VALVE RELAY #1
348 ORANGE
349 CR3
350 BRUSH LIFT MOTOR RELAY
351 WHITE/BLACK
352 CR1
353 DUSTER WINDUP RELAY
354 GREEN/RED
355 CR2
356 VACUUM RELAY
357 BLUE/BLACK
358 CR4
359 TB1-17
360 BROWN

361 TO OIL VALVE RELAY #1
362 ORANGE
363 CR3
364 BRUSH LIFT MOTOR RELAY
365 WHITE/BLACK
366 CR1
367 DUSTER WINDUP RELAY
368 GREEN/RED
369 CR2
370 VACUUM RELAY
371 BLUE/BLACK
372 CR4
373 TB1-17
374 BROWN

375 TO OIL VALVE RELAY #1
376 ORANGE
377 CR3
378 BRUSH LIFT MOTOR RELAY
379 WHITE/BLACK
380 CR1
381 DUSTER WINDUP RELAY
382 GREEN/RED
383 CR2
384 VACUUM RELAY
385 BLUE/BLACK
386 CR4
387 TB1-17
388 BROWN

389 TO OIL VALVE RELAY #1
390 ORANGE
391 CR3
392 BRUSH LIFT MOTOR RELAY
393 WHITE/BLACK
394 CR1
395 DUSTER WINDUP RELAY
396 GREEN/RED
397 CR2
398 VACUUM RELAY
399 BLUE/BLACK
400 CR4
401 TB1-17
402 BROWN

403 TO OIL VALVE RELAY #1
404 ORANGE
405 CR3
406 BRUSH LIFT MOTOR RELAY
407 WHITE/BLACK
408 CR1
409 DUSTER WINDUP RELAY
410 GREEN/RED
411 CR2
412 VACUUM RELAY
413 BLUE/BLACK
414 CR4
415 TB1-17
416 BROWN

417 TO OIL VALVE RELAY #1
418 ORANGE
419 CR3
420 BRUSH LIFT MOTOR RELAY
421 WHITE/BLACK
422 CR1
423 DUSTER WINDUP RELAY
424 GREEN/RED
425 CR2
426 VACUUM RELAY
427 BLUE/BLACK
428 CR4
429 TB1-17
430 BROWN

431 TO OIL VALVE RELAY #1
432 ORANGE
433 CR3
434 BRUSH LIFT MOTOR RELAY
435 WHITE/BLACK
436 CR1
437 DUSTER WINDUP RELAY
438 GREEN/RED
439 CR2
440 VACUUM RELAY
441 BLUE/BLACK
442 CR4
443 TB1-17
444 BROWN

445 TO OIL VALVE RELAY #1
446 ORANGE
447 CR3
448 BRUSH LIFT MOTOR RELAY
449 WHITE/BLACK
450 CR1
451 DUSTER WINDUP RELAY
452 GREEN/RED
453 CR2
454 VACUUM RELAY
455 BLUE/BLACK
456 CR4
457 TB1-17
458 BROWN

459 TO OIL VALVE RELAY #1
460 ORANGE
461 CR3
462 BRUSH LIFT MOTOR RELAY
463 WHITE/BLACK
464 CR1
465 DUSTER WINDUP RELAY
466 GREEN/RED
467 CR2
468 VACUUM RELAY
469 BLUE/BLACK
470 CR4
471 TB1-17
472 BROWN

473 TO OIL VALVE RELAY #1
474 ORANGE
475 CR3
476 BRUSH LIFT MOTOR RELAY
477 WHITE/BLACK
478 CR1
479 DUSTER WINDUP RELAY
480 GREEN/RED
481 CR2
482 VACUUM RELAY
483 BLUE/BLACK
484 CR4
485 TB1-17
486 BROWN

487 TO OIL VALVE RELAY #1
488 ORANGE
489 CR3
490 BRUSH LIFT MOTOR RELAY
491 WHITE/BLACK
492 CR1
493 DUSTER WINDUP RELAY
494 GREEN/RED
495 CR2
496 VACUUM RELAY
497 BLUE/BLACK
498 CR4
499 TB1-17
500 BROWN

501 TO OIL VALVE RELAY #1
502 ORANGE
503 CR3
504 BRUSH LIFT MOTOR RELAY
505 WHITE/BLACK
506 CR1
507 DUSTER WINDUP RELAY
508 GREEN/RED
509 CR2
510 VACUUM RELAY
511 BLUE/BLACK
512 CR4
513 TB1-17
514 BROWN

515 TO OIL VALVE RELAY #1
516 ORANGE
517 CR3
518 BRUSH LIFT MOTOR RELAY
519 WHITE/BLACK
520 CR1
521 DUSTER WINDUP RELAY
522 GREEN/RED
523 CR2
524 VACUUM RELAY
525 BLUE/BLACK
526 CR4
527 TB1-17
528 BROWN

529 TO OIL VALVE RELAY #1
530 ORANGE
531 CR3
532 BRUSH LIFT MOTOR RELAY
533 WHITE/BLACK
534 CR1
535 DUSTER WINDUP RELAY
536 GREEN/RED
537 CR2
538 VACUUM RELAY
539 BLUE/BLACK
540 CR4
541 TB1-17
542 BROWN

543 TO OIL VALVE RELAY #1
544 ORANGE
545 CR3
546 BRUSH LIFT MOTOR RELAY
547 WHITE/BLACK
548 CR1
549 DUSTER WINDUP RELAY
550 GREEN/RED
551 CR2
552 VACUUM RELAY
553 BLUE/BLACK
554 CR4
555 TB1-17
556 BROWN

557 TO OIL VALVE RELAY #1
558 ORANGE
559 CR3
560 BRUSH LIFT MOTOR RELAY
561 WHITE/BLACK
562 CR1
563 DUSTER WINDUP RELAY
564 GREEN/RED
565 CR2
566 VACUUM RELAY
567 BLUE/BLACK
568 CR4
569 TB1-17
570 BROWN

571 TO OIL VALVE RELAY #1
572 ORANGE
573 CR3
574 BRUSH LIFT MOTOR RELAY
575 WHITE/BLACK
576 CR1
577 DUSTER WINDUP RELAY
578 GREEN/RED
579 CR2
580 VACUUM RELAY
581 BLUE/BLACK
582 CR4
583 TB1-17
584 BROWN

585 TO OIL VALVE RELAY #1
586 ORANGE
587 CR3
588 BRUSH LIFT MOTOR RELAY
589 WHITE/BLACK
590 CR1
591 DUSTER WINDUP RELAY
592 GREEN/RED
593 CR2
594 VACUUM RELAY
595 BLUE/BLACK
596 CR4
597 TB1-17
598 BROWN

599 TO OIL VALVE RELAY #1
600 ORANGE
601 CR3
602 BRUSH LIFT MOTOR RELAY
603 WHITE/BLACK
604 CR1
605 DUSTER WINDUP RELAY
606 GREEN/RED
607 CR2
608 VACUUM RELAY
609 BLUE/BLACK
610 CR4
611 TB1-17
612 BROWN

613 TO OIL VALVE RELAY #1
614 ORANGE
615 CR3
616 BRUSH LIFT MOTOR RELAY
617 WHITE/BLACK
618 CR1
619 DUSTER WINDUP RELAY
620 GREEN/RED
621 CR2
622 VACUUM RELAY
623 BLUE/BLACK
624 CR4
625 TB1-17
626 BROWN

627 TO OIL VALVE RELAY #1
628 ORANGE
629 CR3
630 BRUSH LIFT MOTOR RELAY
631 WHITE/BLACK
632 CR1
633 DUSTER WINDUP RELAY
634 GREEN/RED
635 CR2
636 VACUUM RELAY
637 BLUE/BLACK
638 CR4
639 TB1-17
640 BROWN

641 TO OIL VALVE RELAY #1
642 ORANGE
643 CR3
644 BRUSH LIFT MOTOR RELAY
645 WHITE/BLACK
646 CR1
647 DUSTER WINDUP RELAY
648 GREEN/RED
649 CR2
650 VACUUM RELAY
651 BLUE/BLACK
652 CR4
653 TB1-17
654 BROWN

655 TO OIL VALVE RELAY #1
656 ORANGE
657 CR3
658 BRUSH LIFT MOTOR RELAY
659 WHITE/BLACK
660 CR1
661 DUSTER WINDUP RELAY
662 GREEN/RED
663 CR2
664 VACUUM RELAY
665 BLUE/BLACK
666 CR4
667 TB1-17
668 BROWN

669 TO OIL VALVE RELAY #1
670 ORANGE
671 CR3
672 BRUSH LIFT MOTOR RELAY
673 WHITE/BLACK
674 CR1
675 DUSTER WINDUP RELAY
676 GREEN/RED
677 CR2
678 VACUUM RELAY
679 BLUE/BLACK
680 CR4
681 TB1-17
682 BROWN

683 TO OIL VALVE RELAY #1
684 ORANGE
685 CR3
686 BRUSH LIFT MOTOR RELAY
687 WHITE/BLACK
688 CR1
689 DUSTER WINDUP RELAY
690 GREEN/RED
691 CR2
692 VACUUM RELAY
693 BLUE/BLACK
694 CR4
695 TB1-17
696 BROWN

697 TO OIL VALVE RELAY #1
698 ORANGE
699 CR3
700 BRUSH LIFT MOTOR RELAY
701 WHITE/BLACK
702 CR1
703 DUSTER WINDUP RELAY
704 GREEN/RED
705 CR2
706 VACUUM RELAY
707 BLUE/BLACK
708 CR4
709 TB1-17
710 BROWN

711 TO OIL VALVE RELAY #1
712 ORANGE
713 CR3
714 BRUSH LIFT MOTOR RELAY
715 WHITE/BLACK
716 CR1
717 DUSTER WINDUP RELAY
718 GREEN/RED
719 CR2
720 VACUUM RELAY
721 BLUE/BLACK
722 CR4
723 TB1-17
724 BROWN

725 TO OIL VALVE RELAY #1
726 ORANGE
727 CR3
728 BRUSH LIFT MOTOR RELAY
729 WHITE/BLACK
730 CR1
731 DUSTER WINDUP RELAY
732 GREEN/RED
733 CR2
734 VACUUM RELAY
735 BLUE/BLACK
736 CR4
737 TB1-17
738 BROWN

739 TO OIL VALVE RELAY #1
740 ORANGE
741 CR3
742 BRUSH LIFT MOTOR RELAY
743 WHITE/BLACK
744 CR1
745 DUSTER WINDUP RELAY
746 GREEN/RED
747 CR2
748 VACUUM RELAY
749 BLUE/BLACK
750 CR4
751 TB1-17
752 BROWN

753 TO OIL VALVE RELAY #1
754 ORANGE
755 CR3
756 BRUSH LIFT MOTOR RELAY
757 WHITE/BLACK
758 CR1
759 DUSTER WINDUP RELAY
760 GREEN/RED
761 CR2
762 VACUUM RELAY
763 BLUE/BLACK
764 CR4
765 TB1-17
766 BROWN

767 TO OIL VALVE RELAY #1
768 ORANGE
769 CR3
770 BRUSH LIFT MOTOR RELAY
771 WHITE/BLACK
772 CR1
773 DUSTER WINDUP RELAY
774 GREEN/RED
775 CR2
776 VACUUM RELAY
777 BLUE/BLACK
778 CR4
779 TB1-17
780 BROWN

781 TO OIL VALVE RELAY #1
782 ORANGE
783 CR3
784 BRUSH LIFT MOTOR RELAY
785 WHITE/BLACK
786 CR1
787 DUSTER WINDUP RELAY
788 GREEN/RED
789 CR2
790 VACUUM RELAY
791 BLUE/BLACK
792 CR4
793 TB1-17
794 BROWN

795 TO OIL VALVE RELAY #1
796 ORANGE
797 CR3
798 BRUSH LIFT MOTOR RELAY
799 WHITE/BLACK
800 CR1
801 DUSTER WINDUP RELAY
802 GREEN/RED
803 CR2
804 VACUUM RELAY
805 BLUE/BLACK
806 CR4
807 TB1-17
808 BROWN

809 TO OIL VALVE RELAY #1
810 ORANGE
811 CR3
812 BRUSH LIFT MOTOR RELAY
813 WHITE/BLACK
814 CR1
815 DUSTER WINDUP RELAY
816 GREEN/RED
817 CR2
818 VACUUM RELAY
819 BLUE/BLACK
820 CR4
821 TB1-17
822 BROWN

823 TO OIL VALVE RELAY #1
824 ORANGE
825 CR3
826 BRUSH LIFT MOTOR RELAY
827 WHITE/BLACK
828 CR1
829 DUSTER WINDUP RELAY
830 GREEN/RED
831 CR2
832 VACUUM RELAY
833 BLUE/BLACK
834 CR4
835 TB1-17
836 BROWN

837 TO OIL VALVE RELAY #1
838 ORANGE
839 CR3
840 BRUSH LIFT MOTOR RELAY
841 WHITE/BLACK
842 CR1
843 DUSTER WINDUP RELAY
844 GREEN/RED
845 CR2
846 VACUUM RELAY
847 BLUE/BLACK
848 CR4
849 TB1-17
850 BROWN

851 TO OIL VALVE RELAY #1
852 ORANGE
853 CR3
854 BRUSH LIFT MOTOR RELAY
855 WHITE/BLACK
856 CR1
857 DUSTER WINDUP RELAY
858 GREEN/RED
859 CR2
860 VACUUM RELAY
861 BLUE/BLACK
862 CR4
863 TB1-17
864 BROWN

865 TO OIL VALVE RELAY #1
866 ORANGE
867 CR3
868 BRUSH LIFT MOTOR RELAY
869 WHITE/BLACK
870 CR1
871 DUSTER WINDUP RELAY
872 GREEN/RED
873 CR2
874 VACUUM RELAY
875 BLUE/BLACK
876 CR4
877 TB1-17
878 BROWN

879 TO OIL VALVE RELAY #1
880 ORANGE
881 CR3
882 BRUSH LIFT MOTOR RELAY
883 WHITE/BLACK
884 CR1
885 DUSTER WINDUP RELAY
886 GREEN/RED
887 CR2
888 VACUUM RELAY
889 BLUE/BLACK
890 CR4
891 TB1-17
892 BROWN

893 TO OIL VALVE RELAY #1
894 ORANGE
895 CR3
896 BRUSH LIFT MOTOR RELAY
897 WHITE/BLACK
898 CR1
899 DUSTER WINDUP RELAY
900 GREEN/RED
901 CR2
902 VACUUM RELAY
903 BLUE/BLACK
904 CR4
905 TB1-17
906 BROWN

907 TO OIL VALVE RELAY #1
908 ORANGE
909 CR3
910 BRUSH LIFT MOTOR RELAY
911 WHITE/BLACK
912 CR1
913 DUSTER WINDUP RELAY
914 GREEN/RED
915 CR2
916 VACUUM RELAY
917 BLUE/BLACK
918 CR4
919 TB1-17
920 BROWN

921 TO OIL VALVE RELAY #1
922 ORANGE
923 CR3
924 BRUSH LIFT MOTOR RELAY
925 WHITE/BLACK
926 CR1
927 DUSTER WINDUP RELAY
928 GREEN/RED
929 CR2
930 VACUUM RELAY
931 BLUE/BLACK
932 CR4
933 TB1-17
934 BROWN

935 TO OIL VALVE RELAY #1
936 ORANGE
937 CR3
938 BRUSH LIFT MOTOR RELAY
939 WHITE/BLACK
940 CR1
941 DUSTER WINDUP RELAY
942 GREEN/RED
943 CR2
944 VACUUM RELAY
945 BLUE/BLACK
946 CR4
947 TB1-17
948 BROWN

949 TO OIL VALVE RELAY #1
950 ORANGE
951 CR3
952 BRUSH LIFT MOTOR RELAY
953 WHITE/BLACK
954 CR1
955 DUSTER WINDUP RELAY
956 GREEN/RED
957 CR2
958 VACUUM RELAY
959 BLUE/BLACK
960 CR4
961 TB1-17
962 BROWN

963 TO OIL VALVE RELAY #1
964 ORANGE
965 CR3
966 BRUSH LIFT MOTOR RELAY
967 WHITE/BLACK
968 CR1
969 DUSTER WINDUP RELAY
970 GREEN/RED
971 CR2
972 VACUUM RELAY
973 BLUE/BLACK
974 CR4
975 TB1-17
976 BROWN

977 TO OIL VALVE RELAY #1
978 ORANGE
979 CR3
980 BRUSH LIFT MOTOR RELAY
981 WHITE/BLACK
982 CR1
983 DUSTER WINDUP RELAY
984 GREEN/RED
985 CR2
986 VACUUM RELAY
987 BLUE/BLACK
988 CR4
989 TB1-17
990 BROWN

991 TO OIL VALVE RELAY #1
992 ORANGE
993 CR3
994 BRUSH LIFT MOTOR RELAY
995 WHITE/BLACK
996 CR1
997 DUSTER WINDUP RELAY
998 GREEN/RED
999 CR2
1000 VACUUM RELAY
1001 BLUE/BLACK
1002 CR4
1003 TB1-17
1004 BROWN

1005 TO OIL VALVE RELAY #1
1006 ORANGE
1007 CR3
1008 BRUSH LIFT MOTOR RELAY
1009 WHITE/BLACK
1010 CR1
1011 DUSTER WINDUP RELAY
1012 GREEN/RED
1013 CR2
1014 VACUUM RELAY
1015 BLUE/BLACK
1016 CR4
1017 TB1-17
1018 BROWN

1019 TO OIL VALVE RELAY #1
1020 ORANGE
1021 CR3
1022 BRUSH LIFT MOTOR RELAY
1023 WHITE/BLACK
1024 CR1
1025 DUSTER WINDUP RELAY
1026 GREEN/RED
1027 CR2
1028 VACUUM RELAY
1029 BLUE/BLACK
1030 CR4
1031 TB1-17
1032 BROWN

1033 TO OIL VALVE RELAY #1
1034 ORANGE
1035 CR3
1036 BRUSH LIFT MOTOR RELAY
1037 WHITE/BLACK
1038 CR1
1039 DUSTER WINDUP RELAY
1040 GREEN/RED
1041 CR2
1042 VACUUM RELAY
1043 BLUE/BLACK
1044 CR4
1045 TB1-17
1046 BROWN

1047 TO OIL VALVE RELAY #1
1048 ORANGE
1049 CR3
1050 BRUSH LIFT MOTOR RELAY
1051 WHITE/BLACK
1052 CR1
1053 DUSTER WINDUP RELAY
1054 GREEN/RED
1055 CR2
1056 VACUUM RELAY
1057 BLUE/BLACK
1058 CR4
1059 TB1-17
1060 BROWN

1061 TO OIL VALVE RELAY #1
1062 ORANGE
1063 CR3
1064 BRUSH LIFT MOTOR RELAY
1065 WHITE/BLACK
1066 CR1
1067 DUSTER WINDUP RELAY
1068 GREEN/RED
1069 CR2
1070 VACUUM RELAY
1071 BLUE/BLACK
1072 CR4
1073 TB1-17
1074 BROWN

1075 TO OIL VALVE RELAY #1
1076 ORANGE
1077 CR3
1078 BRUSH LIFT MOTOR RELAY
1079 WHITE/BLACK
1080 CR1
1081 DUSTER WINDUP RELAY
1082 GREEN/RED
1083 CR2
1084 VACUUM RELAY
1085 BLUE/BLACK
1086 CR4
1087 TB1-17
1088 BROWN

1089 TO OIL VALVE RELAY #1
1090 ORANGE
1091 CR3
1092 BRUSH LIFT MOTOR RELAY
1093 WHITE/BLACK
1094 CR1
1095 DUSTER WINDUP RELAY
1096 GREEN/RED
1097 CR2
1098 VACUUM RELAY
1099 BLUE/BLACK
1100 CR4
1101 TB1-17
1102 BROWN

1103 TO OIL VALVE RELAY #1
1104 ORANGE
1105 CR3
1106 BRUSH LIFT MOTOR RELAY
1107 WHITE/BLACK
1108 CR1
1109 DUSTER WINDUP RELAY
1110 GREEN/RED
1111 CR2
1112 VACUUM RELAY
1113 BLUE/BLACK
1114 CR4
1115 TB1-17
1116 BROWN

1117 TO OIL VALVE RELAY #1
1118 ORANGE
1119 CR3
1120 BRUSH LIFT MOTOR RELAY
1121 WHITE/BLACK
1122 CR1
1123 DUSTER WINDUP RELAY
1124 GREEN/RED
1125 CR2
1126 VACUUM RELAY
1127 BLUE/BLACK
1128 CR4
1129 TB1-17
1130 BROWN

1131 TO OIL VALVE RELAY #1
1132 ORANGE
1133 CR3
1134 BRUSH LIFT MOTOR RELAY
1135 WHITE/BLACK
1136 CR1
1137 DUSTER WINDUP RELAY
1138 GREEN/RED
1139 CR2
1140 VACUUM RELAY
1141 BLUE/BLACK
1142 CR4
1143 TB1-17
1144 BROWN

1145 TO OIL VALVE RELAY #1
1146 ORANGE
1147 CR3
1148 BRUSH LIFT MOTOR RELAY
1149 WHITE/BLACK
1150 CR1
1151 DUSTER WINDUP RELAY
1152 GREEN/RED
1153 CR2
1154 VACUUM RELAY
1155 BLUE/BLACK
1156 CR4
1157 TB1-17
1158 BROWN

1159 TO OIL VALVE RELAY #1
1160 ORANGE
1161 CR3
1162 BRUSH LIFT MOTOR RELAY
1163 WHITE/BLACK
1164 CR1
1165 DUSTER WINDUP RELAY
1166 GREEN/RED
1167 CR2
1168 VACUUM RELAY
1169 BLUE/BLACK
1170 CR4
1171 TB1-17
1172 BROWN

1173 TO OIL VALVE RELAY #1
1174 ORANGE
1175 CR3
1176 BRUSH LIFT MOTOR RELAY
1177 WHITE/BLACK
1178 CR1
1179 DUSTER WINDUP RELAY
1180 GREEN/RED
1181 CR2
1182 VACUUM RELAY
1183 BLUE/BLACK
1184 CR4
1185 TB1-17
1186 BROWN

1187 TO OIL VALVE RELAY #1
1188 ORANGE
1189 CR3
1190 BRUSH LIFT MOTOR RELAY
1191 WHITE/BLACK
1192 CR1
1193 DUSTER WINDUP RELAY
1194 GREEN/RED
1195 CR2
1196 VACUUM RELAY
1197 BLUE/BLACK
1198 CR4
1199 TB1-17
1200 BROWN

1201 TO OIL VALVE RELAY #1
1202 ORANGE
1203 CR3
1204 BRUSH LIFT MOTOR RELAY
1205 WHITE/BLACK
1206 CR1
1207 DUSTER WINDUP RELAY
1208 GREEN/RED
1209 CR2
1210 VACUUM RELAY
1211 BLUE/BLACK
1212 CR4
1213 TB1-17
1214 BROWN

1215 TO OIL VALVE RELAY #1
1216 ORANGE
1217 CR3
1218 BRUSH LIFT MOTOR RELAY
1219 WHITE/BLACK
1220 CR1
1221 DUSTER WINDUP RELAY
1222 GREEN/RED
1223 CR2
1224 VACUUM RELAY
1225 BLUE/BLACK
1226 CR4
1227 TB1-17
1228 BROWN

1229 TO OIL VALVE RELAY #1
1230 ORANGE
1231 CR3
1232 BRUSH LIFT MOTOR RELAY
1233 WHITE/BLACK
1234 CR1
1235 DUSTER WINDUP RELAY
1236 GREEN/RED
1237 CR2
1238 VACUUM RELAY
1239 BLUE/BLACK
1240 CR4
1241 TB1-17
1242 BROWN

1243 TO OIL VALVE RELAY #1
1244 ORANGE
1245 CR3
1246 BRUSH LIFT MOTOR RELAY
1247 WHITE/BLACK
1248 CR1
1249 DUSTER WINDUP RELAY
1250 GREEN/RED
1251 CR2
1252 VACUUM RELAY
1253 BLUE/BLACK
1254 CR4
1255 TB1-17
1256 BROWN

1257 TO OIL VALVE RELAY #1
1258 ORANGE
1259 CR3
1260 BRUSH LIFT MOTOR RELAY
1261 WHITE/BLACK
1262 CR1
1263 DUSTER WINDUP RELAY
1264 GREEN/RED
1265 CR2
1266 VACUUM RELAY
1267 BLUE/BLACK
1268 CR4
1269 TB1-17
1270 BROWN

1271 TO OIL VALVE RELAY #1
1272 ORANGE
1273 CR3
1274 BRUSH LIFT MOTOR RELAY
1275 WHITE/BLACK
1276 CR1
1277 DUSTER WINDUP RELAY
1278 GREEN/RED
1279 CR2
1280 VACUUM RELAY
1281 BLUE/BLACK
1282 CR4
1283 TB1-17
1284 BROWN

1285 TO OIL VALVE RELAY #1
1286 ORANGE
1287 CR3
1288 BRUSH LIFT MOTOR RELAY
1289 WHITE/BLACK
1290 CR1
1291 DUSTER WINDUP RELAY
1292 GREEN/RED
1293 CR2
1294 VACUUM RELAY
1295 BLUE/BLACK
1296 CR4
1297 TB1-17
1298 BROWN

1299 TO OIL VALVE RELAY #1
1300 ORANGE
1301 CR3
1302 BRUSH LIFT MOTOR RELAY
1303 WHITE/BLACK
1304 CR1
1305 DUSTER WINDUP RELAY
1306 GREEN/RED
1307 CR2
1308 VACUUM RELAY
1309 BLUE/BLACK
1310 CR4
1311 TB1-17
1312 BROWN

1313 TO OIL VALVE RELAY #1
1314 ORANGE
1315 CR3
1316 BRUSH LIFT MOTOR RELAY
1317 WHITE/BLACK
1318 CR1
1319 DUSTER WINDUP RELAY
1320 GREEN/RED
1321 CR2
1322 VACUUM RELAY
1323 BLUE/BLACK
1324 CR4
1325 TB1-17
1326 BROWN

1327 TO OIL VALVE RELAY #1
1328 ORANGE
1329 CR3
1330 BRUSH LIFT MOTOR RELAY
1331 WHITE/BLACK
1332 CR1
1333 DUSTER WINDUP RELAY
1334 GREEN/RED
1335 CR2
1336 VACUUM RELAY
1337 BLUE/BLACK
1338 CR4
1339 TB1-17
1340 BROWN

1341 TO OIL VALVE RELAY #1
1342 ORANGE
1343 CR3
1344 BRUSH LIFT MOTOR RELAY
1345 WHITE/BLACK
1346 CR1
1347 DUSTER WINDUP RELAY
1348 GREEN/RED
1349 CR2
1350 VACUUM RELAY
1351 BLUE/BLACK
1352 CR4
1353 TB1-17
1354 BROWN

1355 TO OIL VALVE RELAY #1
1356 ORANGE
1357 CR3
1358 BRUSH LIFT MOTOR RELAY
1359 WHITE/BLACK
1360 CR1
1361 DUSTER WINDUP RELAY
1362 GREEN/RED
1363 CR2
1364 VACUUM RELAY
1365 BLUE/BLACK
1366 CR4
1367 TB1-17
1368 BROWN

1369 TO OIL VALVE RELAY #1
1370 ORANGE
1371 CR3
1372 BRUSH LIFT MOTOR RELAY
1373 WHITE/BLACK
1374 CR1
1375 DUSTER WINDUP RELAY
1376 GREEN/RED
1377 CR2
1378 VACUUM RELAY
1379 BLUE/BLACK
1380 CR4
1381 TB1-17
1382 BROWN

1383 TO OIL VALVE RELAY #1
1384 ORANGE
1385 CR3
1386 BRUSH LIFT MOTOR RELAY
1387 WHITE/BLACK
1388 CR1
1389 DUSTER WINDUP RELAY
1390 GREEN/RED
1391 CR2
1392 VACUUM RELAY
1393 BLUE/BLACK
1394 CR4
1395 TB1-17
1396 BROWN

1397 TO OIL VALVE RELAY #1
1398 ORANGE
1399 CR3
1400 BRUSH LIFT MOTOR RELAY
1401 WHITE/BLACK
1402 CR1
1403 DUSTER WINDUP RELAY
1404 GREEN/RED
1405 CR2
1406 VACUUM RELAY
1407 BLUE/BLACK
1408 CR4
1409 TB1-17
1410 BROWN

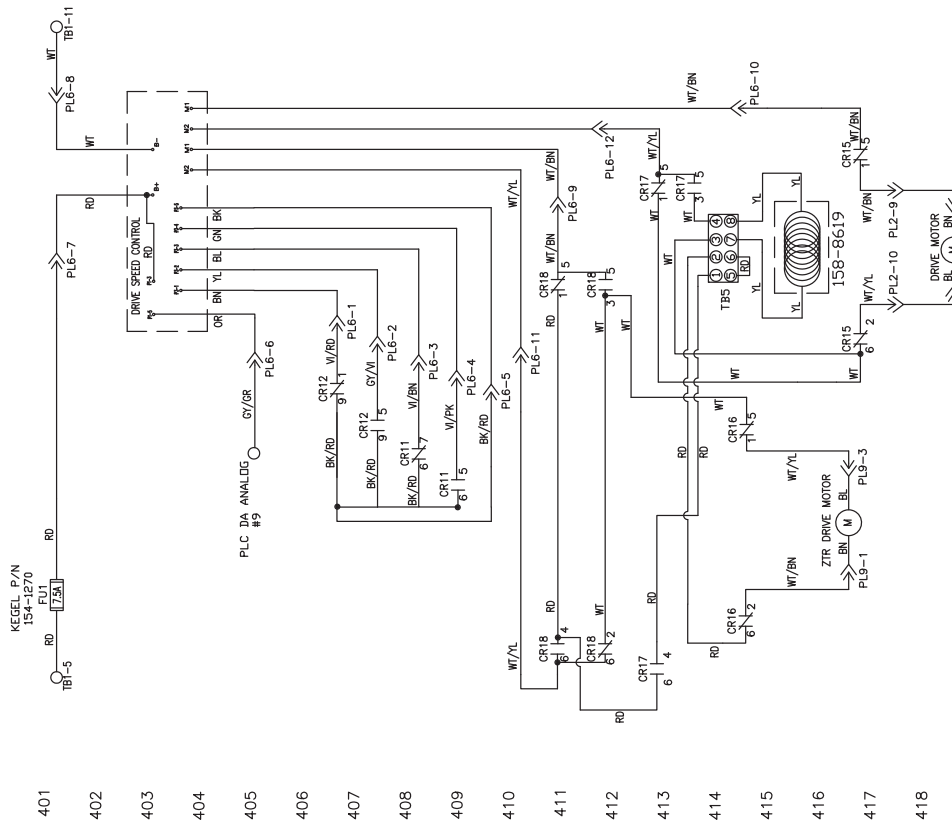
1411 TO OIL VALVE RELAY #1
1412 ORANGE
1413 CR3
1414 BRUSH LIFT MOTOR RELAY
1415 WHITE/BLACK
1416 CR1
1417 DUSTER WINDUP RELAY
1418 GREEN/RED
1419 CR2
1420 VACUUM RELAY
1421 BLUE/BLACK
1422 CR4
1423 TB1-17
1424 BROWN

1425 TO OIL VALVE RELAY #1
1426 ORANGE
1427 CR3
1428 BRUSH LIFT MOTOR RELAY
1429 WHITE/BLACK
1430 CR1
1431 DUSTER WINDUP RELAY
1432 GREEN/RED
1433 CR2
1434 VACUUM RELAY
1435 BLUE/BLACK
1436 CR4
1437 TB1-17
1438 BROWN

1439 TO OIL VALVE RELAY #1
1440 ORANGE
1441 CR3
1442 BRUSH LIFT MOTOR RELAY
1443 WHITE/BLACK
1444 CR1
1445 DUSTER WINDUP RELAY
1446 GREEN/RED
1447 CR2
1448 VACUUM RELAY
1449 BLUE/BLACK
1450 CR4
1451 TB1-17
1452 BROWN

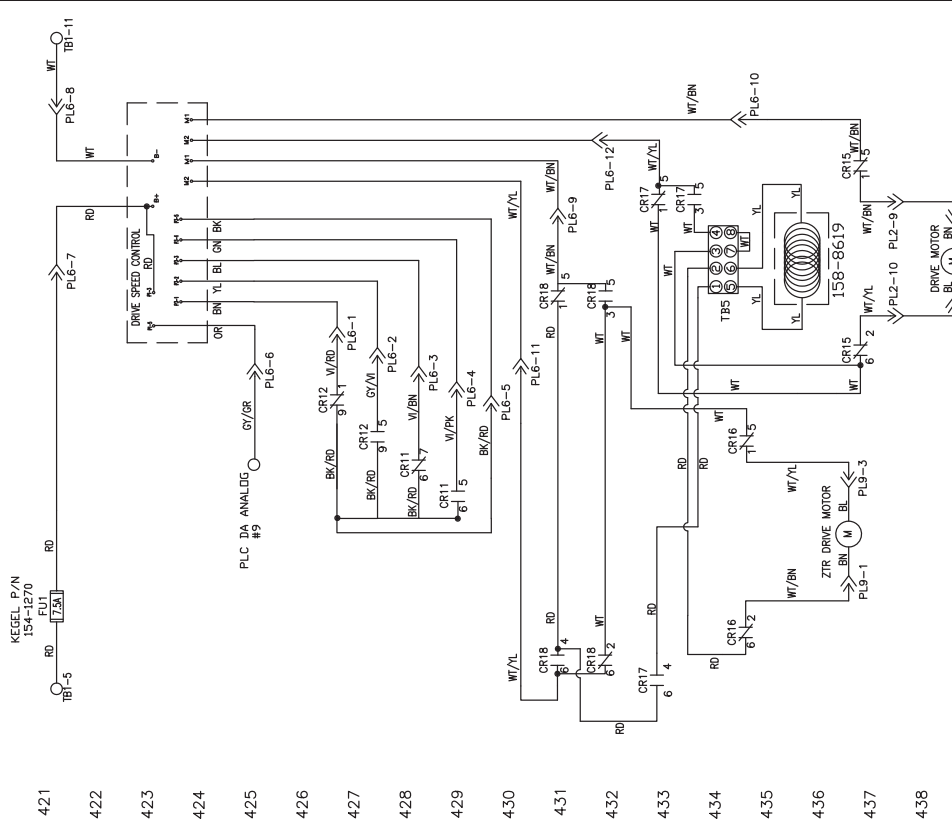
1453 TO OIL VALVE RELAY #1
1454 ORANGE
1455 CR3
1456 BRUSH LIFT MOTOR RELAY
1457 WHITE/BLACK
1458 CR1
1459 DUSTER WINDUP RELAY
1460 GREEN/RED

400 SCHEMATIC FOR RESISTOR WIRE ON MAIN DRIVE MOTOR



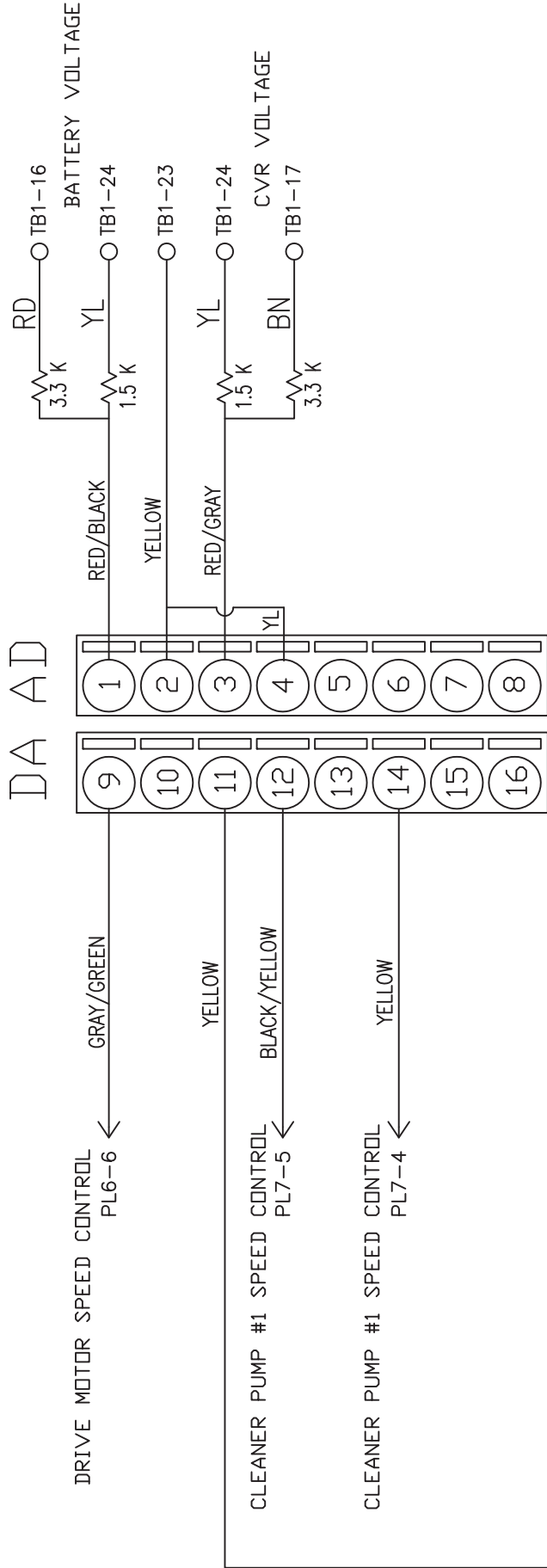
- 401 KEGEL P/N 154-1270
FU1
- 402
- 403
- 404
- 405 PLC DA ANALOG 0V/GR
- 406
- 407 CR12 V/RO 9 1 1
CR11 6 1 7
V/BN
V/PK
BK/RO
- 408
- 409
- 410
- 411
- 412
- 413
- 414
- 415
- 416
- 417
- 418
- LEGEND**
- CR1 - OIL VALVE RELAY TANK A
 - CR2 - OIL VALVE RELAY TANK B
 - CR3 - CONTROL RELAY
 - CR4 - DUSTER POLARITY SWITCH RELAY
 - CR5 - PIN DECK TREATMENT RELAY
 - CR6 - POWER OFF RELAY
 - CR7 - DUSTER UNWIND MOTOR RELAY
 - CR8 - DUSTER UNWIND MOTOR RELAY
 - CR9 - BRUSH LIFT MOTOR RELAY
 - CR10 - FORWARD DRIVE MOTOR RELAY
 - CR11 - REVERSE DRIVE MOTOR RELAY
 - CR12 - BUFFER MOTOR RELAY
 - CR13 - BUFFER MOTOR RELAY
 - CR14 - WHISKER ENABLE RELAY
 - CR15 - WHISKER 7 PIN SIDE RELAY
 - CR16 - WHISKER 10 PIN SIDE RELAY
 - CR17 - ZTR ENABLE RELAY
 - CR18 - ZTR REVERSE RELAY
 - CR19 - VACUUM MOTOR RELAY
 - CR20 - POWER RELAY
- FU1 - DRIVE MOTOR 7.5A
 - FU2 - BUFFER MOTOR 10A/20A
 - FU3 - VACUUM MOTOR 20A
 - FU4 - DUSTER UNWIND 3.2A
 - FU5 - DUSTER UNWIND 3.2A
 - FU6 - SQUEEGEE MOTOR 3.2A
 - FU7 - BRUSH LIFT MOTOR 3.2A
 - FU8 - HEAD DRIVE MOTOR 2.29A
 - FU9 - BRUSH LIFT MOTOR 2.29A
 - FU10 - PLC INPUT COMMON 0.5A
 - FU11 - TOUCH SCREEN 0.5A
 - FU12 - CLEANER PUMP #1 3.2A
 - FU13 - CLEANER PUMP #2 3.2A
 - FU14 - CVR POWER 25A/30A
 - FU15 - LED LIGHTS 1A
 - FU16 - TRIGGER SOLENOID 3.2A
 - FU17 - VACUUM MOTOR RELAY
- PL1 - 10-PIN SIDE PLUG (15)
 - PL2 - 10-PIN SIDE PLUG (12)
 - PL3 - 10-PIN SIDE PLUG (9)
 - PL4 - 7-PIN SIDE PLUG (15)
 - PL5 - 7-PIN SIDE PLUG (12)
 - PL6 - DRIVE SPEED BOARD PLUG (12)
 - PL7 - CLEANER PUMP #1 SPEED BOARD PLUG (9)
 - PL8 - CLEANER PUMP #2 SPEED BOARD PLUG (9)
 - PL9 - BUFFER MOTOR PLUG (12)
 - PL10 - BUFFER MOTOR PLUG (12)
 - PL11 - BUFFER MOTOR VARIABLE SPEED PLUG (5)
 - PL12 - BUFFER MOTOR VARIABLE SPEED PLUG (5)
 - PL13 - OIL PLATE ASSEMBLY PLUG (6)
- TB1 - TERMINAL BLOCK 1 (MAIN)
 - TB2 - TERMINAL BLOCK 2 (10-PIN SIDE)
 - TB3 - TERMINAL BLOCK 3 (7-PIN SIDE)
 - TB4 - TERMINAL BLOCK 4 (OIL PLATE)
 - TB5 - TERMINAL BLOCK 5 (TOP PLC PLATE)

420 SCHEMATIC FOR RESISTOR WIRE ON ZTR DRIVE MOTOR



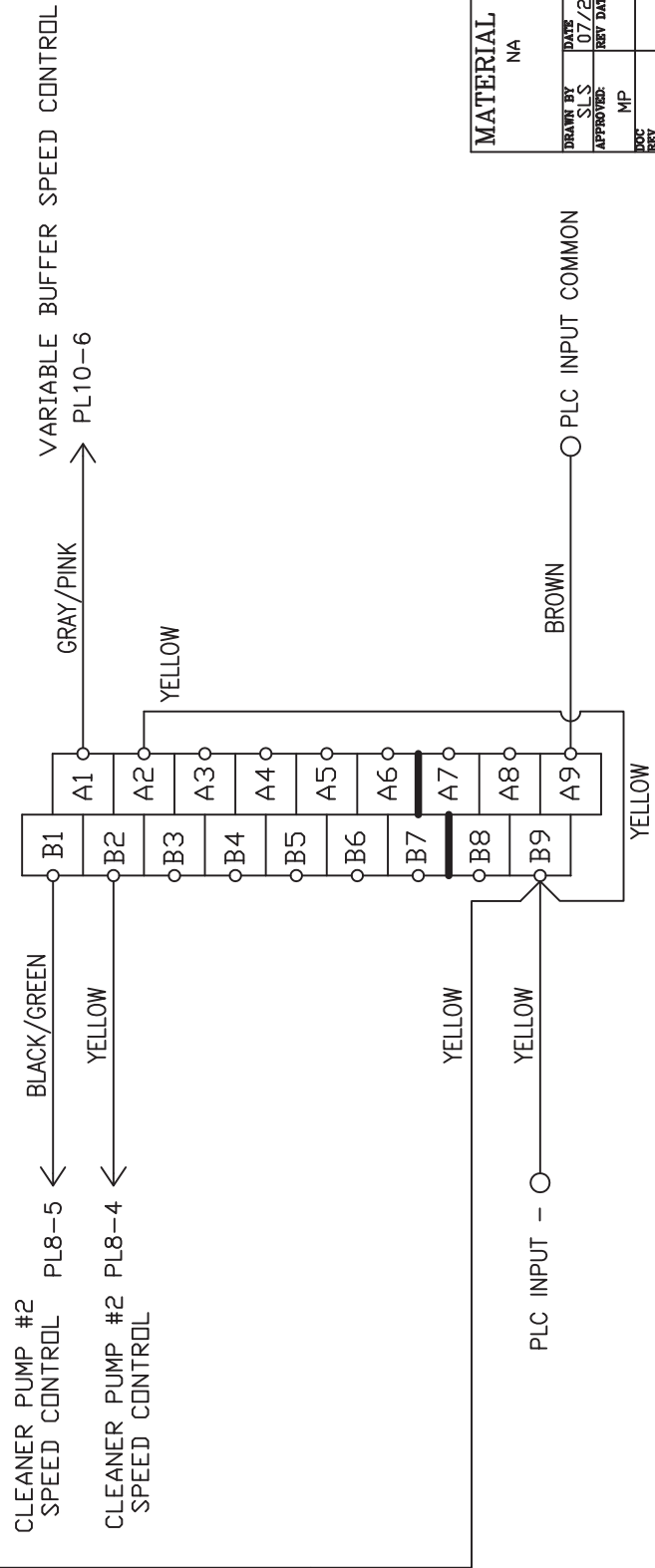
- 421 KEGEL P/N 154-1270
FU1
- 422
- 423
- 424
- 425 PLC DA ANALOG 0V/GR
- 426
- 427 CR12 V/RO 9 1 1
CR11 6 1 7
V/BN
V/PK
BK/RO
- 428
- 429
- 430
- 431
- 432
- 433
- 434
- 435
- 436
- 437
- 438
- MATERIAL**
- | | |
|-------------------------|-------------------------|
| MATERIAL | N/A |
| DESCRIPTION | SPEED CONTROL SCHEMATIC |
| DRAWN BY | SLS |
| DATE | 07/20/15 |
| APPROVED: | MP |
| SIZE | C |
| QTY/MACHINE PART NUMBER | N/A |
| SCALE | N/A |
| DESIGNER | FLEX WALKER |
| DRAWING NUMBER | 4 DF 27 |
- 1991 LONGLEAF BLVD.
LAKE WALKER, FL 33859
(813) 794-0000
- DO NOT SCALE DRAWING
- VIEW OF PLUGS FROM CONTROLLER
- 3 PINOUT PLUG 9
 - 6 PINOUT PLUG 13
 - 9 PINOUT PLUG 11, PLUG 7, PLUG 8
 - 12 PINOUT PLUG 2, PLUG 3, PLUG 4
 - 15 PINOUT PLUG 5, PLUG 6
- CP1 - CHARGING PLUG BATTERY (BLUE)
 - CP2 - CHARGING PLUG INSIDE (BLUE)
 - CP3 - CHARGING PLUG OUTSIDE (BLUE)
 - PP1 - POWER PLUG (RED)

BUILT IN PLC ANALOG



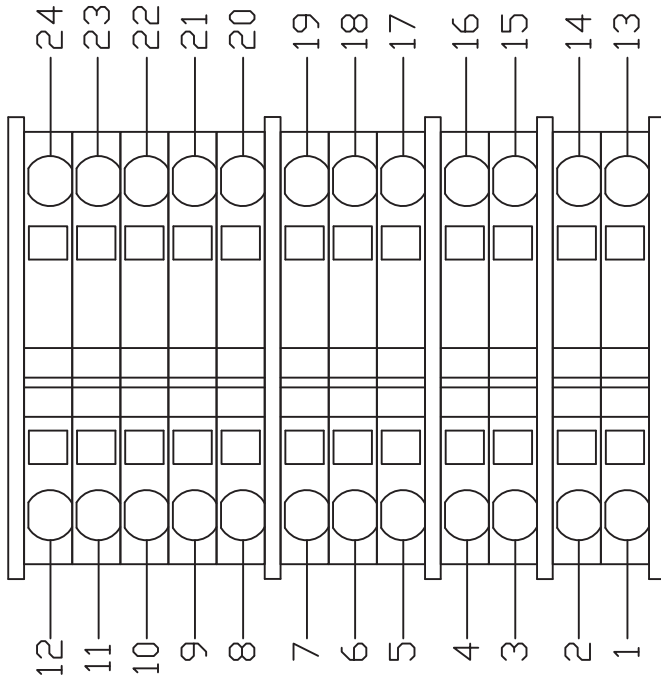
YELLOW

AD021 ANALOG ADD ON UNIT

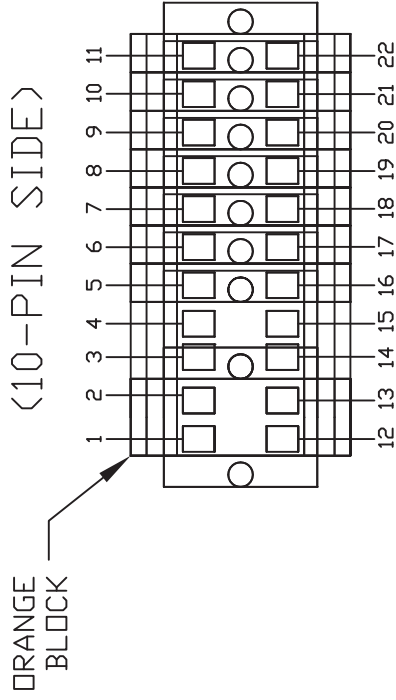


MATERIAL NA		KEGEL	
DRAWN BY SLS		DESCRIPTION ANALOG WIRING SCHEMATIC	
DATE 07/20/15		DO NOT SCALE DRAWING	
APPROVED: MP		SIZE C	
REV DATE		QTY/MACHINE PART NUMBER	
SCALE N/A		FLEX WALKER 2016	
SHEET 5		OF 27	

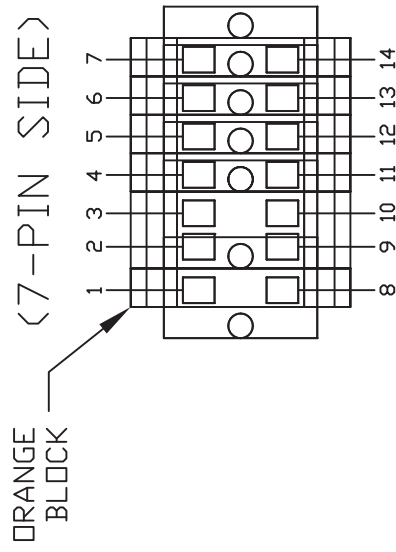
TB1 <MAIN>



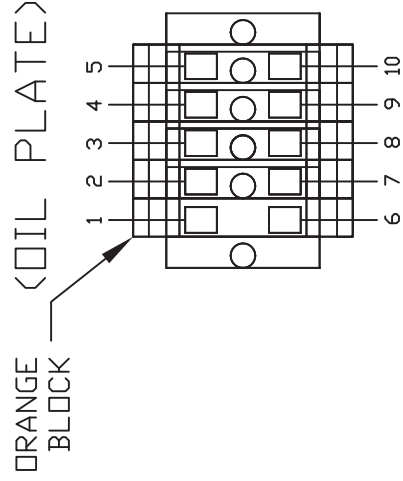
TB2 <10-PIN SIDE>



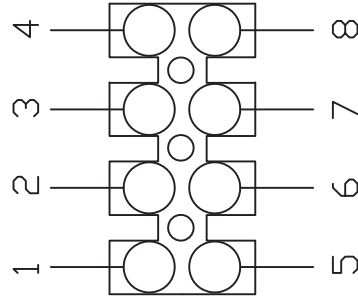
TB3 <7-PIN SIDE>



TB4 <OIL PLATE>



TB5 <TOP PLC PLATE>



LEGEND

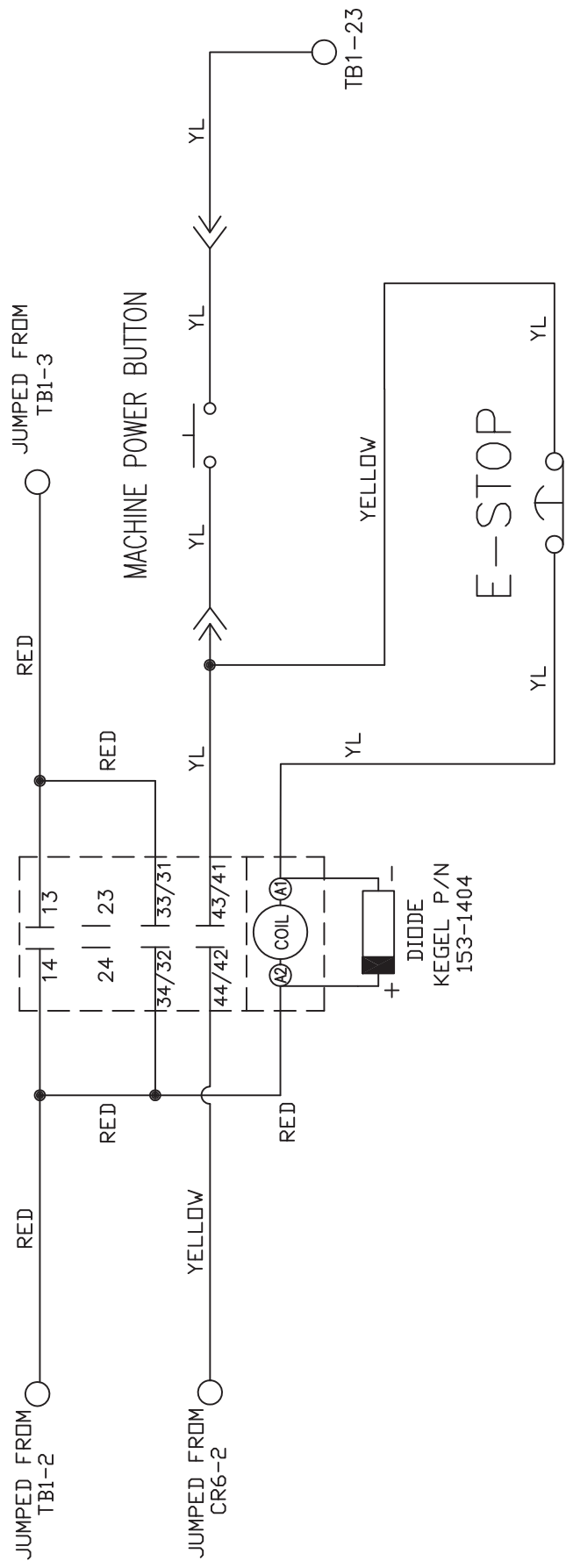
- TB1 - TERMINAL BLOCK 1 <MAIN>
- TB2 - TERMINAL BLOCK 2 <10-PIN SIDE>
- TB3 - TERMINAL BLOCK 3 <7-PIN SIDE>
- TB4 - TERMINAL BLOCK 4 <OIL PLATE>
- TB5 - TERMINAL BLOCK 5 <TOP PLC PLATE>

MATERIAL NA		KEGEL		1951 LONGLEAF BLVD. LAKE WALKER, FL 33669 (863) 734-0900	
DRAWN BY SLS		DATE 07/20/15		DESCRIPTION TERMINAL BLOCK LAYOUT	
APPROVED: MP		REV DATE		DO NOT SCALE DRAWING SIZE QTY/MACHINE PART NUMBER	
ISSUE REV		SCALE N/A		FLEX WALKER 2016 SECRET 6 OF 27	

4 3 2 1

D C B A

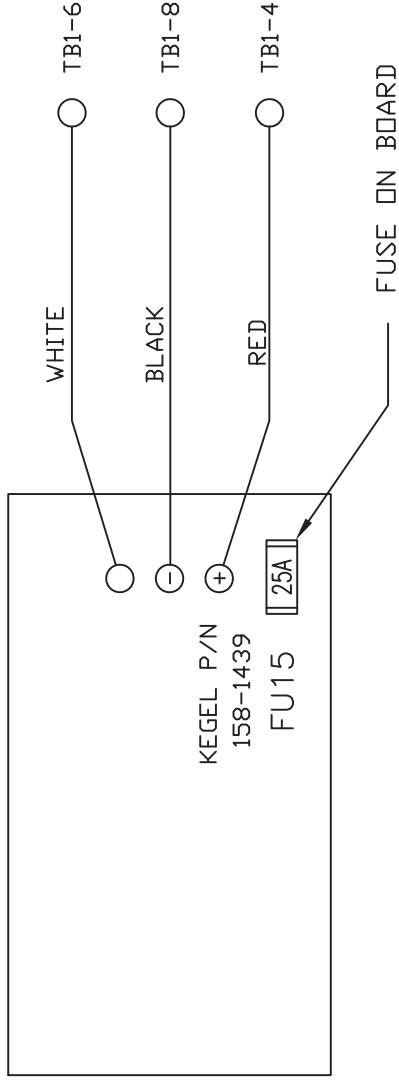
POWER RELAY
CR20



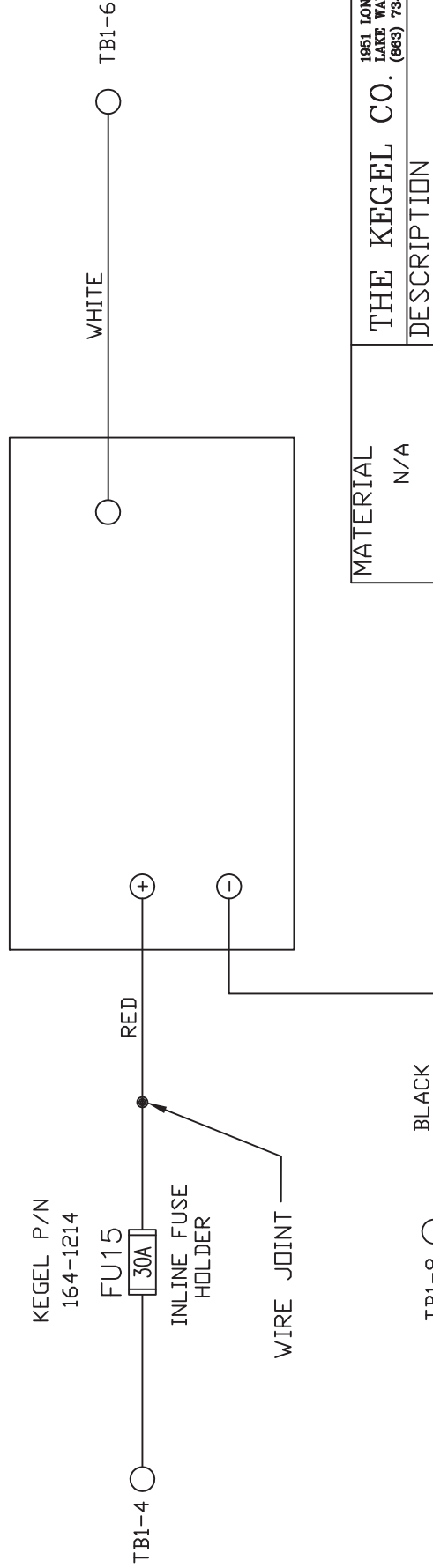
MATERIAL		THE KEGEL CO.		1951 LONGLEAF BLVD. LAKE WALES, FL 33869 (888) 734-0200	
N/A		DESCRIPTION		POWER RELAY WIRING	
DRAWN BY	DATE	DO NOT SCALE DRAWING		SIZE	QTY/MACHINE PART NUMBER
SLS	07/20/15			A	N/A
APPROVED:	REV DATE			SCALE	N/A
MP				SHEET	7 OF 27
DOC REV					

4 3 2 1

VOLTAGE REGULATOR



UPGRADED VOLTAGE REGULATOR



MATERIAL		1951 LONGLEAF BLVD. LAKE WALES, FL 33859 (888) 734-0200	
N/A		THE KEGEL CO.	
DRAWN BY		DESCRIPTION	
SLS		VOLTAGE REGULATOR WIRING	
DATE		DO NOT SCALE DRAWING	
07/21/15		SIZE	
REV DATE		QTY/MACHINE PART NUMBER	
MP		A N/A FLEX WALKER 2016	
DOC		SCALE	
REV		N/A	
		SHEET 8 OF 27	

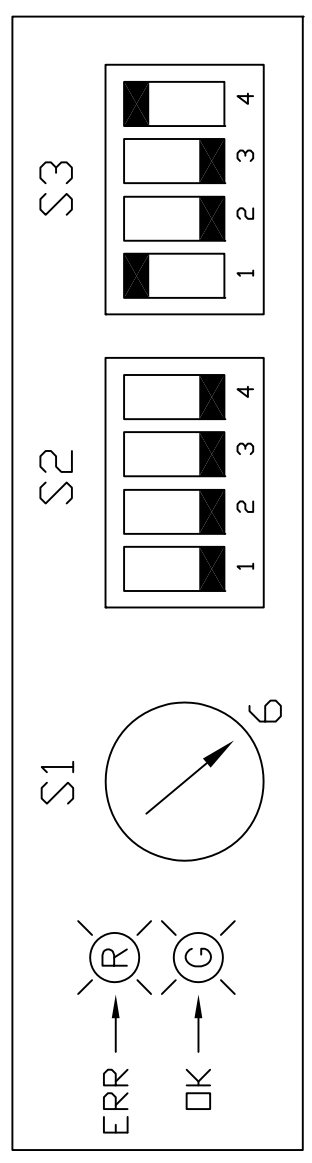
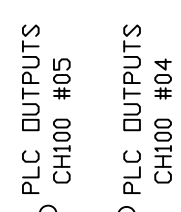
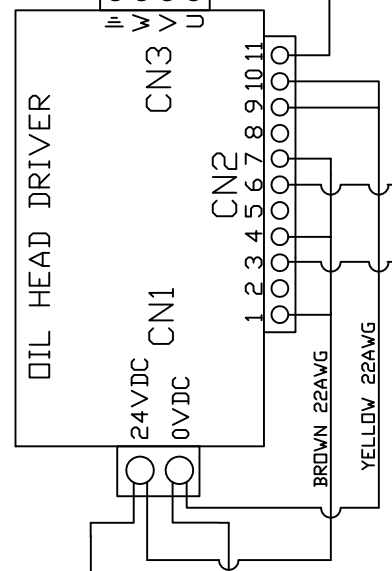
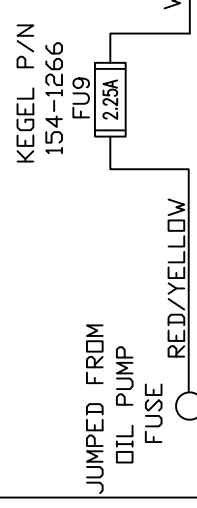
4 3 2 1

D C B A

4 3 2 1

REV	LTR	DATE	DESCRIPTION	APPROVED
A		8/16/16	REMOVED PLUGS E/C# 16133	SLS

OIL HEAD MOTOR



MATERIAL		THE KEDEL CO.		1951 LONGLEAF BLVD. LAKE WALES, FL 33869 (889) 734-0200	
N/A		DESCRIPTION		OIL HEAD DRIVER & MOTOR WIRING	
DRAWN BY	DATE	DO NOT SCALE DRAWING	SIZE	QTY/MACHINE	PART NUMBER
SLS	07/21/15		A	N/A	FLEX WALKER 2016
APPROVED:	REV DATE	SCALE	N/A	SHEET	10 OF 27
MP	8/16/16				

4 3 2 1

OIL HEAD MOTOR



YELLOW/BLACK
WHITE/BLUE
RED/DRANGE

KEGEL P/N
154-1266
FU9

JUMPED FROM
OIL PUMP
FUSE

WT/RD

2.25A

WHITE/RED

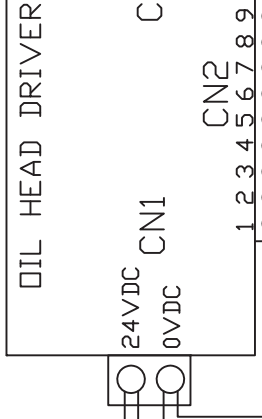
PL4-10

TB1-9

BLACK

BLACK

PL4-11



RED/DRANGE

WHITE/BLUE

YELLOW/BLACK

CN2

CN1

CN3

W

V

U

24VDC

0VDC

BROWN 22AWG

YELLOW 22AWG

1 2 3 4 5 6 7 8 9 10 11

BROWN/YELLOW

PL5-8

OIL PUMP MOTOR

DRIVER CN2 #10

WHITE

BLACK

PLC OUTPUTS

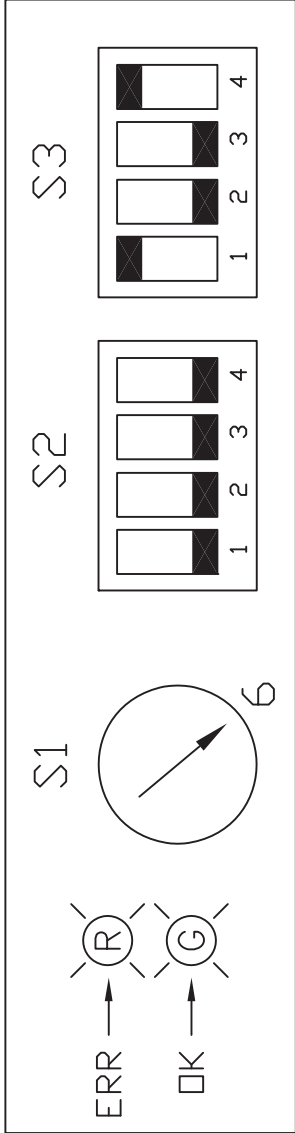
CH100 #05

SHIELDED WIRE

BLACK

PLC OUTPUTS

CH100 #04



S1

S2

S3

ERR

OK

6

MATERIAL		THE KEGEL CO.		1951 LONGLEAF BLVD. LAKE WALES, FL 33869	
N/A		DESCRIPTION		OIL HEAD DRIVER & MOTOR WIRING	
DRAWN BY	DATE	DO NOT SCALE DRAWING		SIZE	
SLS	07/21/15	QTY/MACHINE		PART NUMBER	
APPROVED:	REV DATE	A	N/A	FLEX WALKER	2016
MP		SCALE	N/A	SHEET	10 OF 27
DOC					
REV					

1

2

3

4

D

C

B

A

1

2

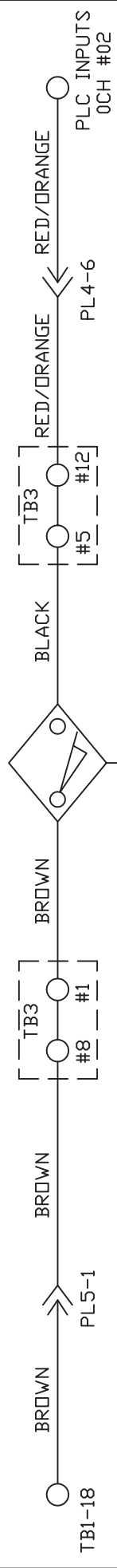
3

4

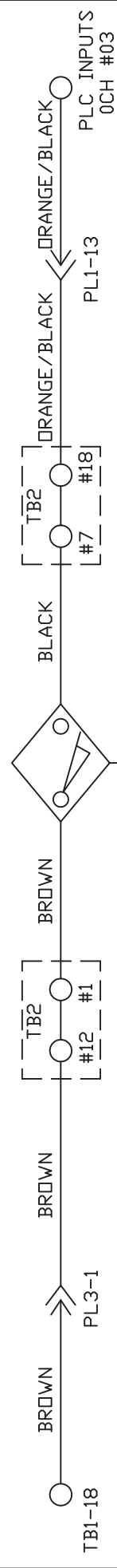
A

4 3 2 1

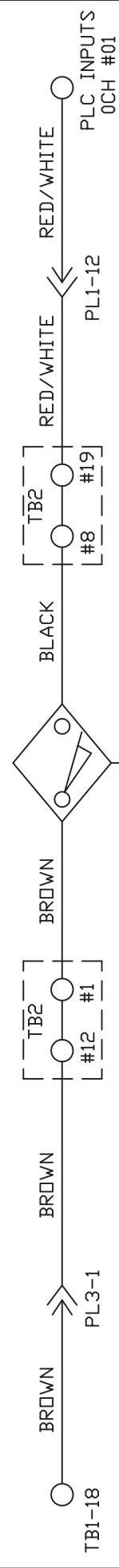
L-R HEAD PROX



R-L HEAD PROX



BOARD PROX



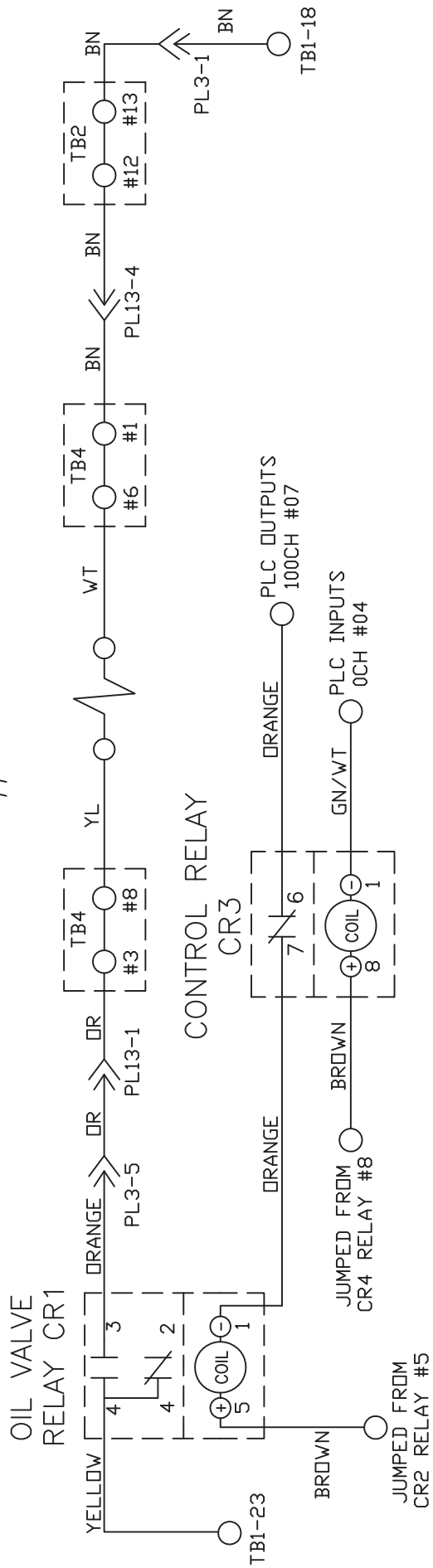
MATERIAL		N/A	
DRAWN BY	DATE	DO NOT SCALE DRAWING	
SLS	07/21/15	SIZE	QTY/MACHINE PART NUMBER
APPROVED:	REV DATE	A	N/A
MP		SCALE	N/A
DWG REV		SHEET	11 OF 27

THE KECEL CO.
 1951 LONGLEAF BLVD.
 LAKE WALES, FL 33869
 (888) 734-0200

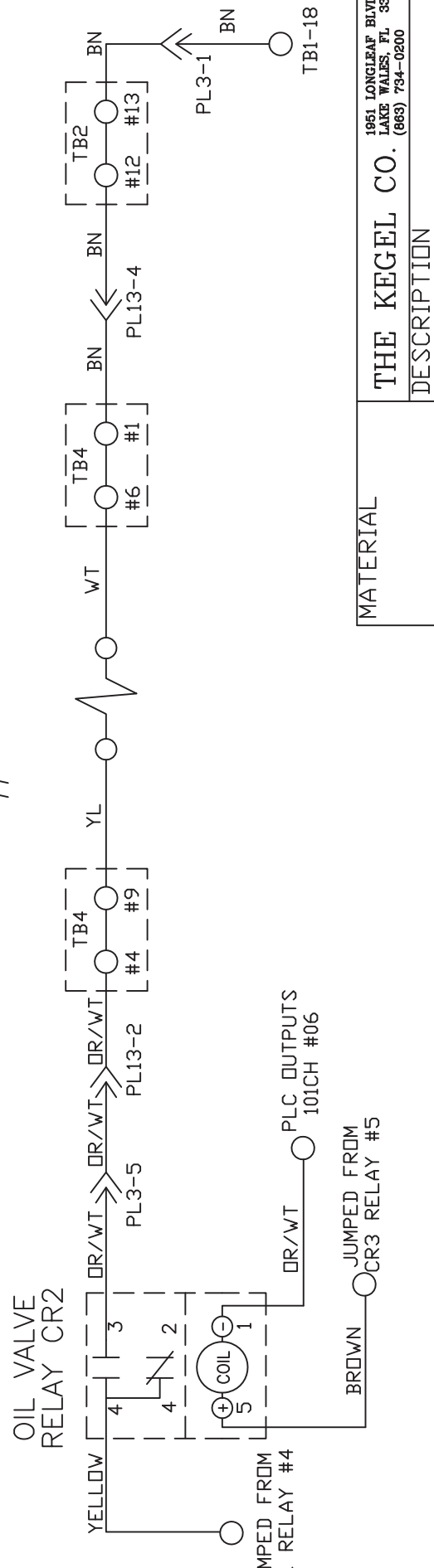
DESCRIPTION
 L-R, R-L & BOARD PROX WIRING

4 3 2 1

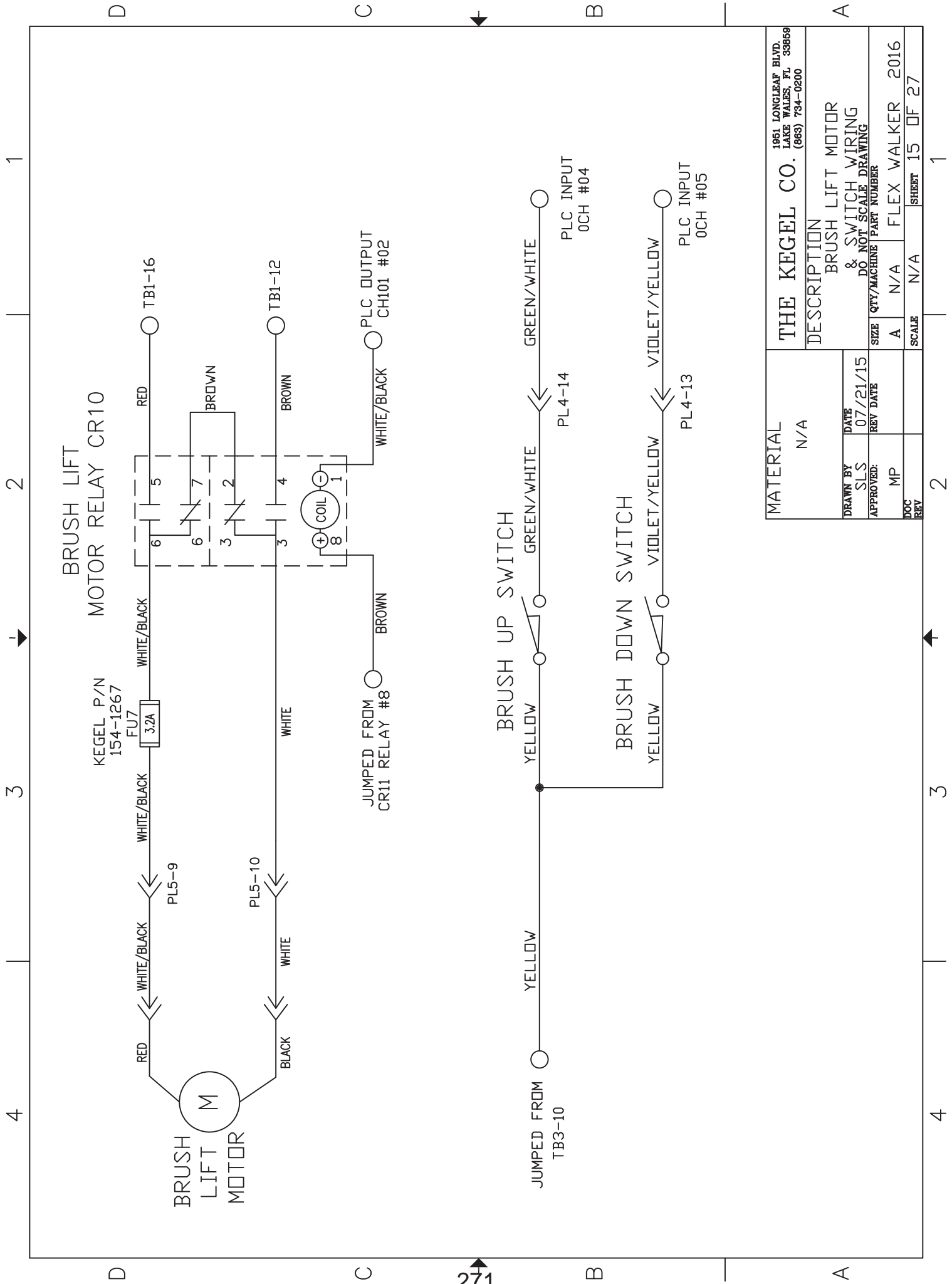
OIL VALVE #1 -- TANK A



OIL VALVE #2 -- TANK B



MATERIAL		THE KEGEL CO. 1951 LONGLEAF BLVD. LAKE WALES, FL 33859	
DESCRIPTION		OIL VALVES RELAY WIRING	
DRAWN BY	DATE	DO NOT SCALE DRAWING	
SLS	07/21/15	SIZE	QTY/MACHINE PART NUMBER
APPROVED:	REV DATE	A	N/A
MP		SCALE	N/A
DOC REV		SHEET	12 OF 27

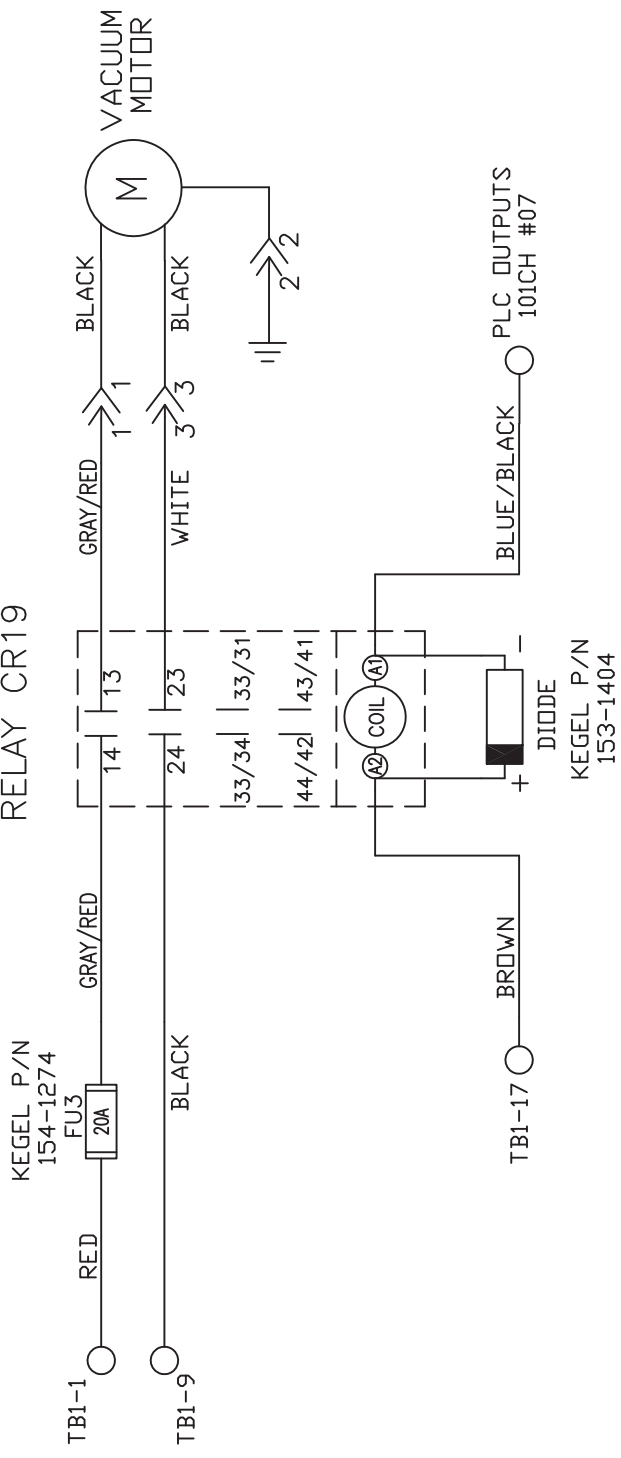


MATERIAL		THE KEGEL CO.		1951 LONGLEAF BLVD. LAKE WALES, FL 33869 (888) 734-0200	
N/A		DESCRIPTION		BRUSH LIFT MOTOR & SWITCH WIRING DO NOT SCALE DRAWING	
DRAWN BY	DATE	SIZE	QTY/MACHINE	PART NUMBER	
SLS	07/21/15	A	N/A	FLEX WALKER	2016
APPROVED:	REV DATE	SCALE	N/A	SHEET	15 OF 27
MP					
DOC	REV				

4 3 2 1

D C B A

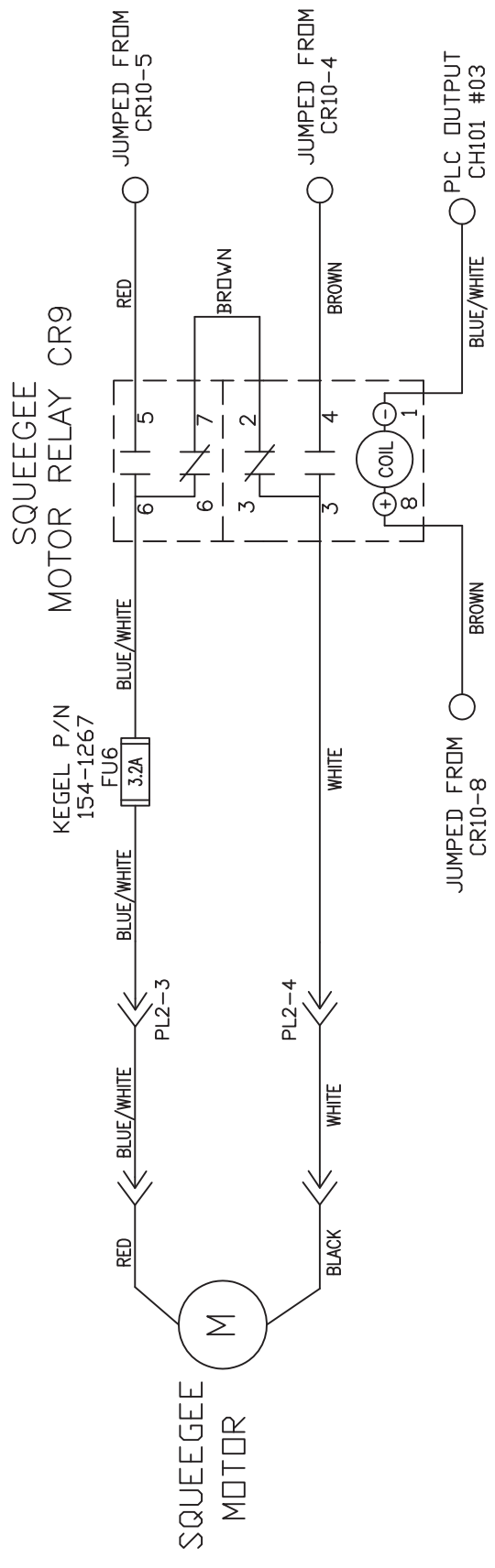
VACUUM MOTOR
RELAY CR19



MATERIAL		THE KEGEL CO.		1951 LONGLEAF BLVD. LAKE WALES, FL 33869	
N/A		DESCRIPTION		VACUUM MOTOR WIRING	
DRAWN BY	DATE	DO NOT SCALE DRAWING	SIZE	QTY/MACHINE	PART NUMBER
SLS	07/21/15		A	N/A	FLEX WALKER 2016
APPROVED:	REV DATE		SCALE	N/A	SHEET 16 OF 27
MP					
DOC					
REV					

4 3 2 1

4 3 2 1



MATERIAL		THE KEGEL CO. (669) 734-0200	
N/A		1951 LONGLEAF BLVD. LAKE WALES, FL 33859	
DESCRIPTION	SQUEEGEE MOTOR & SWITCH WIRING DO NOT SCALE DRAWING		
DRAWN BY	DATE	SIZE	QTY/MACHINE PART NUMBER
SLS	07/21/15	A	N/A
APPROVED:	REV DATE	SCALE	N/A
MP			
DOC REV			
			SHEET 17 OF 27

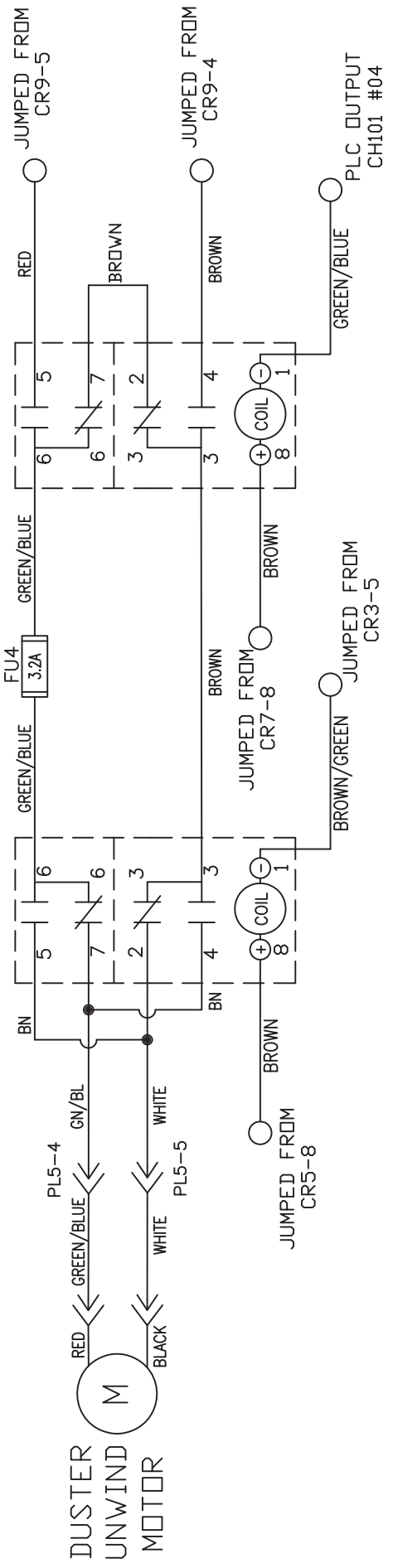
4 3 2 1

4 3 2 1

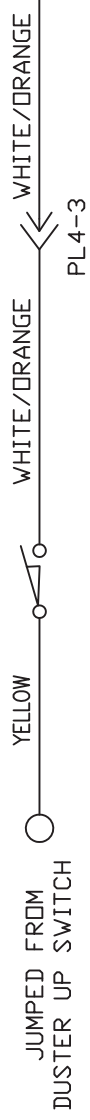
DUSTER POLARITY
RELAY CR4

DUSTER UNWIND
MOTOR RELAY CR8

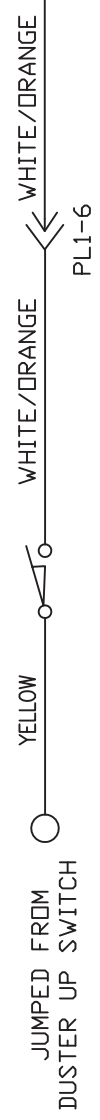
KEGEL P/N
154-1267
FU4
3.2A



7-PIN SIDE
FAIL SAFE SWITCH



10-PIN SIDE
FAIL SAFE SWITCH



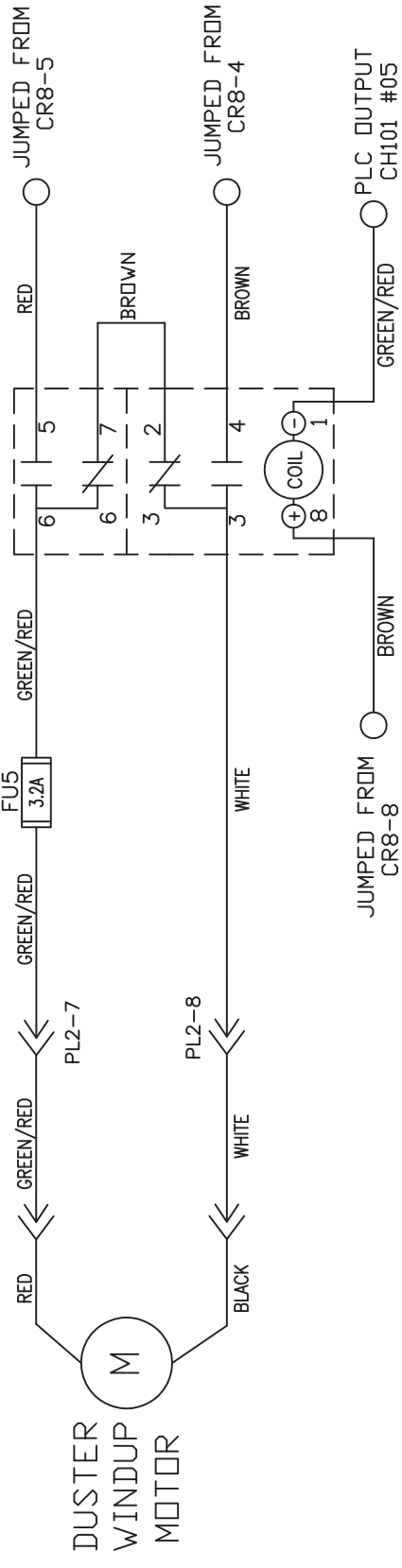
MATERIAL		THE KEGEL CO.		1951 LONGLEAF BLVD. LAKE WALES, FL 33859	
N/A		DESCRIPTION		DUSTER UNWIND & SWITCH WIRING DO NOT SCALE DRAWING	
DRAWN BY	DATE	SIZE	QTY/MACHINE	PART NUMBER	
SLS	07/21/15	A	N/A	FLEX WALKER	2016
APPROVED:	REV DATE	SCALE	N/A	SHEET	18 OF 27
MP					
DOC					
REV					

4 3 2 1

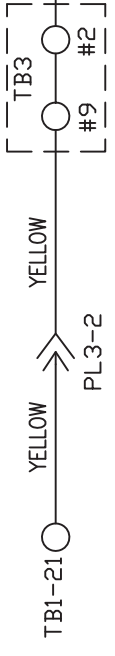
4 3 2 1

DUSTER WINDUP MOTOR RELAY CR7

KEGEL P/N
154-1267



7-PIN SIDE
DUSTER UP SWITCH



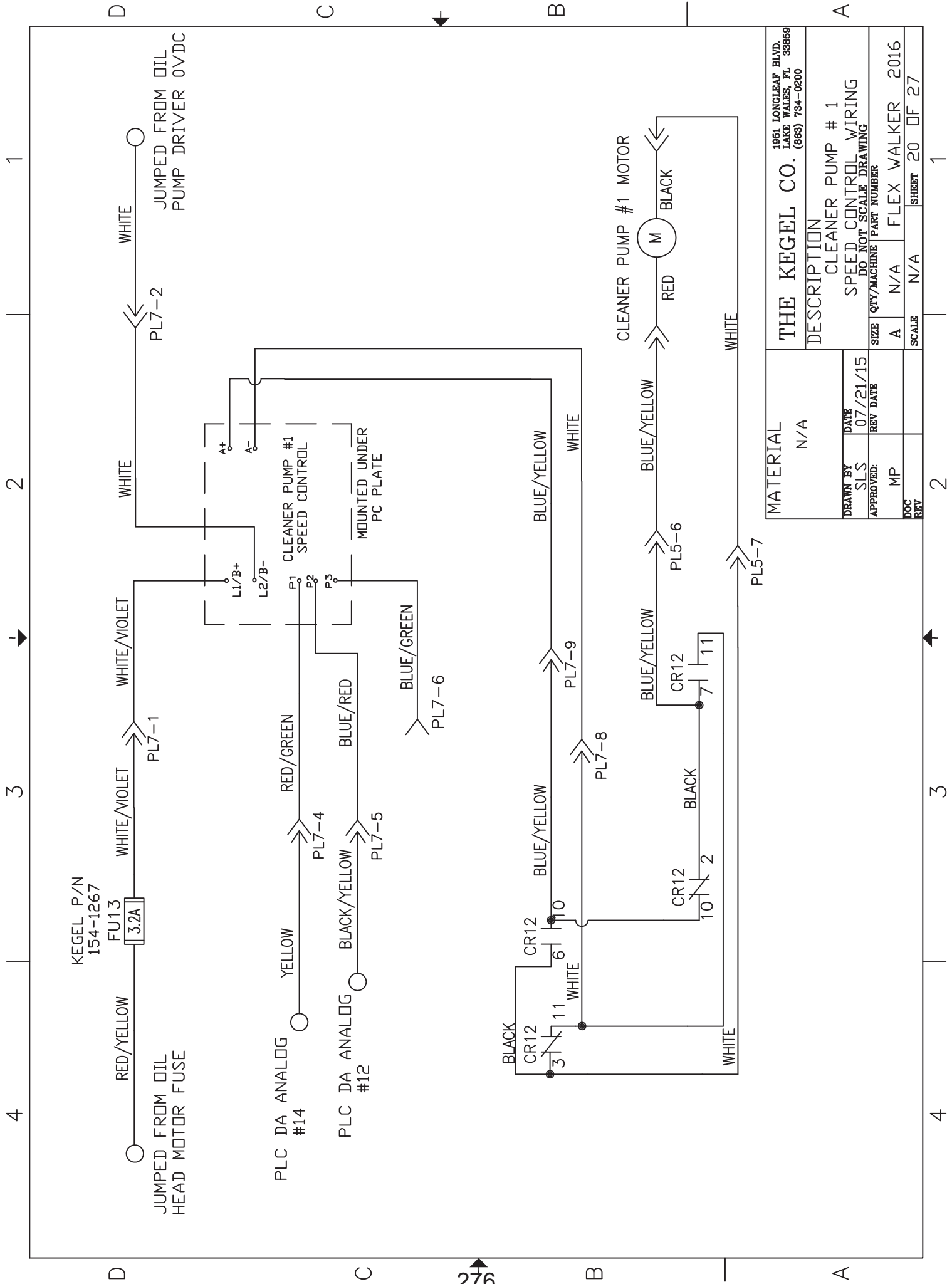
10-PIN SIDE
DUSTER UP SWITCH



MATERIAL		THE KEGEL CO. 1951 LONGLEAF BLVD. LAKE WALES, FL 33869	
N/A		DESCRIPTION	
DUSTER WINDUP & SWITCH WIRING		DO NOT SCALE DRAWING	
DRAWN BY	DATE	SIZE	QTY/MACHINE PART NUMBER
SLS	07/21/15	A	N/A
APPROVED:	REV DATE	SCALE	N/A
MP			
DOC REV			

4 3 2 1

D C B A



KEGEL P/N
154-1267

FU13
3.2A

RED/YELLOW
JUMPED FROM OIL
HEAD MOTOR FUSE

WHITE/VIOLET
PL7-1

WHITE/VIOLET
PL7-2

WHITE
PL7-3

WHITE
PL7-4

WHITE
PL7-5

WHITE
PL7-6

WHITE
PL7-7

WHITE
PL7-8

WHITE
PL7-9

WHITE
PL5-6

WHITE
PL5-7

YELLOW
PLC DA ANALOG
#14

BLACK/YELLOW
PLC DA ANALOG
#12

RED/GREEN
P1
P2
P3
CLEANER PUMP #1
SPEED CONTROL
MOUNTED UNDER
PC PLATE

BLUE/YELLOW
WHITE

BLUE/YELLOW
PL7-9

BLACK
CR12
6
10
WHITE

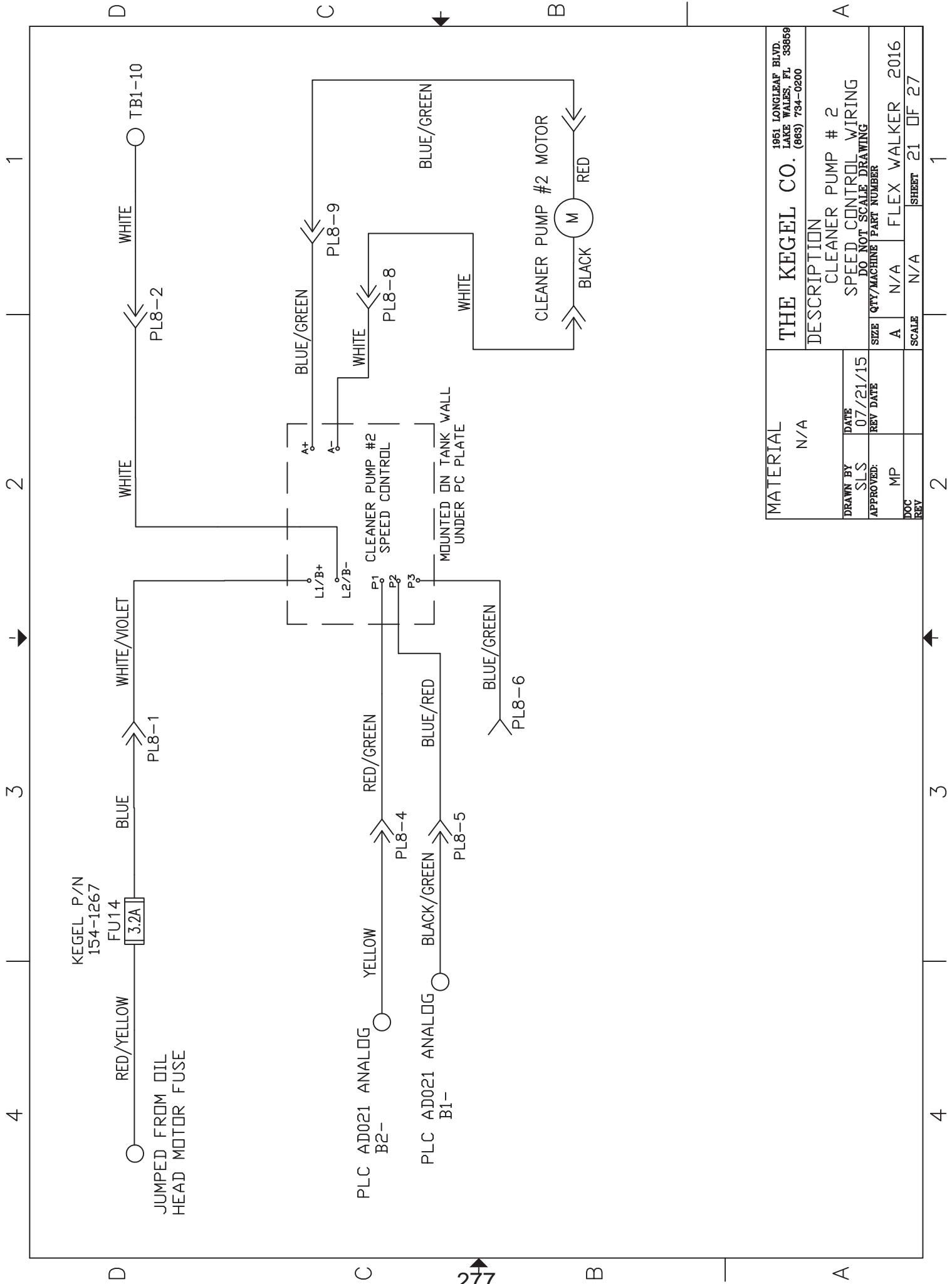
BLACK
CR12
7
11

BLACK
CLEANER PUMP #1 MOTOR

RED
BLACK

WHITE

MATERIAL		1951 LONGLEAF BLVD. LAKE WALES, FL 33869	
N/A		THE KEGEL CO. (866) 734-0200	
DRAWN BY	DATE	DESCRIPTION	
SLS	07/21/15	CLEANER PUMP # 1	
APPROVED:	REV DATE	SPEED CONTROL WIRING	
MP		DO NOT SCALE DRAWING	
DOC	SIZE	QTY/MACHINE	PART NUMBER
REV	A	N/A	
	SCALE	N/A	
		SHEET	20 OF 27



KEGEL P/N
154-1267

FU14
3.2A

RED/YELLOW

BLUE

WHITE/VIOLET

WHITE

WHITE

JUMPED FROM OIL
HEAD MOTOR FUSE

YELLOW

RED/GREEN

CLEANER PUMP #2
SPEED CONTROL

BLUE/GREEN

BLUE/GREEN

BLACK/GREEN

BLUE/RED

WHITE

BLUE/GREEN

B1-

B2-

PL8-4

PL8-5

P1
P2
P3

L1/B+
L2/B-

A+
A-

PL8-8

PL8-9

BLUE/GREEN

MOUNTED ON TANK WALL
UNDER PC PLATE

WHITE

BLACK

RED

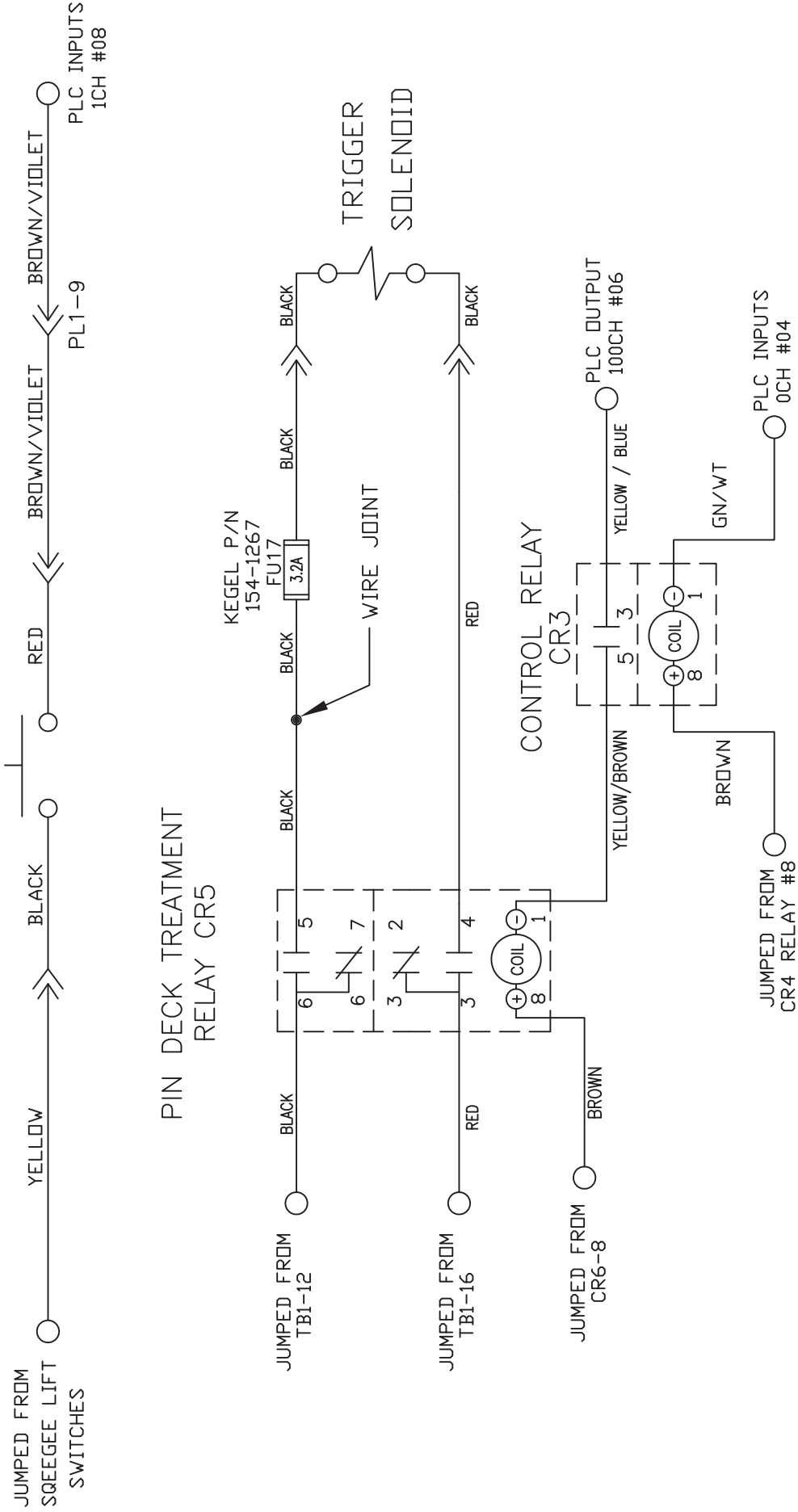
PL8-6

CLEANER PUMP #2 MOTOR

M

MATERIAL	N/A	
DESCRIPTION	CLEANER PUMP # 2 SPEED CONTROL WIRING DO NOT SCALE DRAWING	
DRAWN BY	DATE	1951 LONGLEAF BLVD. LAKE WALES, FL 33869
SLS	07/21/15	(888) 734-0200
APPROVED:	REV DATE	
MP		
DOC	SCALE	
REV	N/A	
		SHEET 21 OF 27

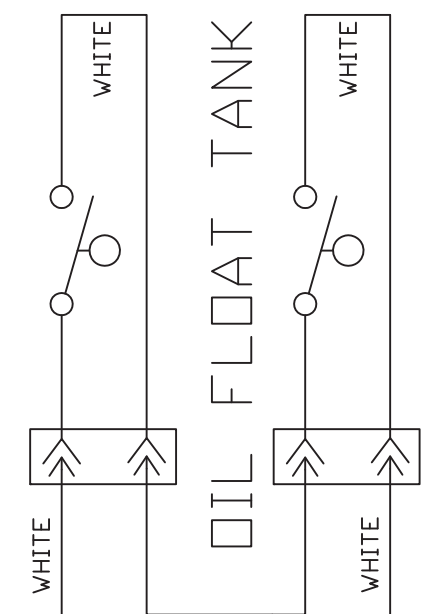
DUSTER/PRESOAK BUTTON



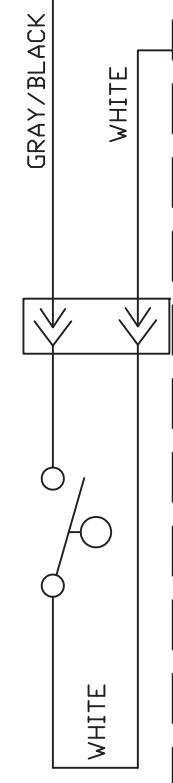
MATERIAL		THE KEGEL CO. (669) 734-0200	
N/A		1951 LONGLEAF BLVD. LAKE WALES, FL 33869	
DRAWN BY	DATE	DESCRIPTION	
SLS	07/21/15	DUSTER/PRESOAK BUTTON	
APPROVED:	REV DATE	& TRIGGER SOLENOID	
MP		DO NOT SCALE DRAWING	
DOC	REV	SIZE	QTY/MACHINE PART NUMBER
		A	N/A
		SCALE	N/A
		SHEET 22 OF 27	

4 3 2 1

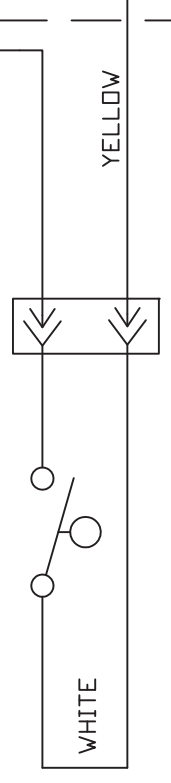
OIL FLOAT TANK A



CLEANER FLOAT PUMP #1



CLEANER FLOAT PUMP #2



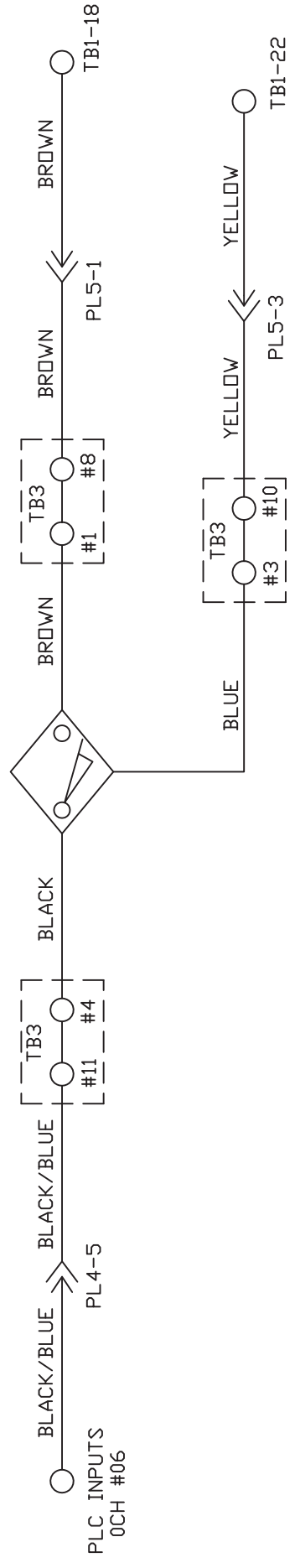
OPTIONAL CLEANER UPGRADE

MATERIAL		1951 LONGLEAF BLVD. LAKE WALES, FL 33869	
N/A		THE KEGEL CO. (869) 734-0200	
DRAWN BY	DATE	DESCRIPTION	
SLS	07/21/15	OIL FLOATS & CLEANER FLOATS WIRING	
APPROVED:	REV DATE	DO NOT SCALE DRAWING	
MP		SIZE	QTY/MACHINE PART NUMBER
		A	N/A
DOC		SCALE	N/A
REV			
			FLEX WALKER 2016
			SHEET 23 OF 27

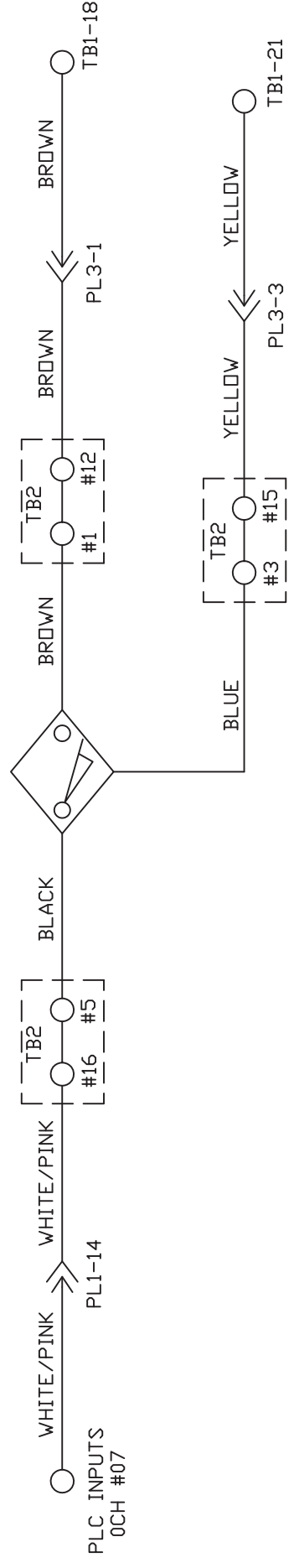
4 3 2 1

4 3 2 1

SPEED TACH PROX



LANE DISTANCE PROX



MATERIAL		THE KEGEL CO. (666) 734-0200	
N/A		1951 LONGLEAF BLVD. LAKE WALES, FL 33869	
DESCRIPTION		SPEED TACH & LANE DISTANCE WIRING	
DO NOT SCALE DRAWING	DATE	07/21/15	
DO NOT SCALE DRAWING	REV DATE		
MP	MP		
SCALE	SCALE	N/A	N/A
SHEET	SHEET	24	OF 27

4 3 2 1

4 3 2 1

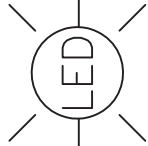
TB1-15

KEGEL P/N
155-1229
FUJ16
1A

PL4-12

RED/GREEN

RED/GREEN



YELLOW/WHITE



YELLOW

YELLOW



LED TANK
LIGHT SWITCH

YELLOW

LED ARROW LIGHT



RED/GREEN

D

C

B

A

D

C

B

A

281

MATERIAL		THE KEGEL CO.		1951 LONGLEAF BLVD. LAKE WALES, FL 33859	
N/A		DESCRIPTION		LED TANK LIGHT WIRING	
DRAWN BY	DATE	SIZE	QTY/MACHINE	DO NOT SCALE DRAWING	PART NUMBER
SLS	07/21/15	A	N/A		
APPROVED:	REV DATE	SCALE	N/A		
MP					
DOC					
REV					

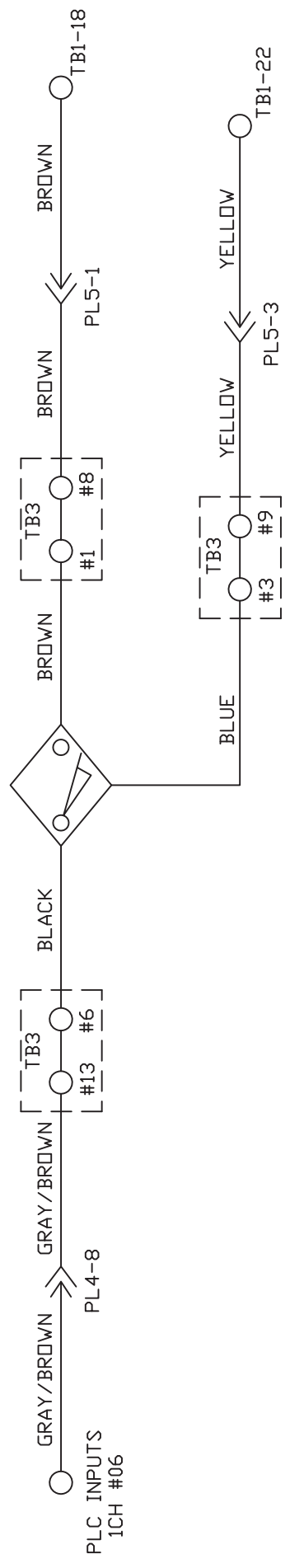
4 3 2 1

FLEX WALKER 2016

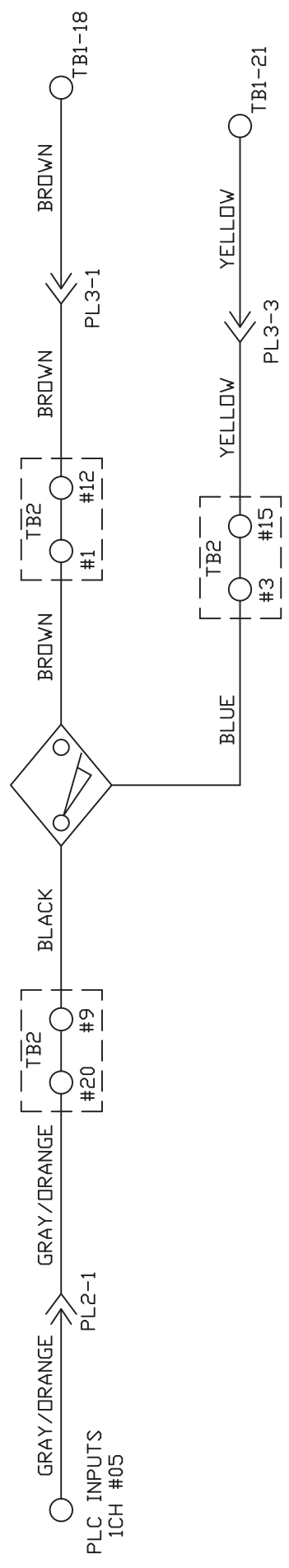
SHEET 25 OF 27

4 3 2 1

ADS PROX 7-PIN SIDE



ADS PROX 10-PIN SIDE

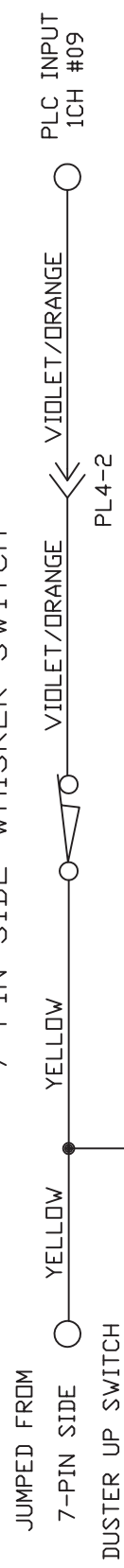


MATERIAL		THE KEGEL CO.		1951 LONGLEAF BLVD. LAKE WALES, FL 33869	
N/A		DESCRIPTION		ADS WIRING	
DRAWN BY	DATE	7-PIN & 10-PIN SIDE		DO NOT SCALE DRAWING	
SLS	07/21/15	SIZE	QTY/MACHINE	PART NUMBER	
APPROVED:	REV DATE	A	N/A	FLEX WALKER	2016
MP		SCALE	N/A	SHEET	26 OF 27
DOC					
REV					

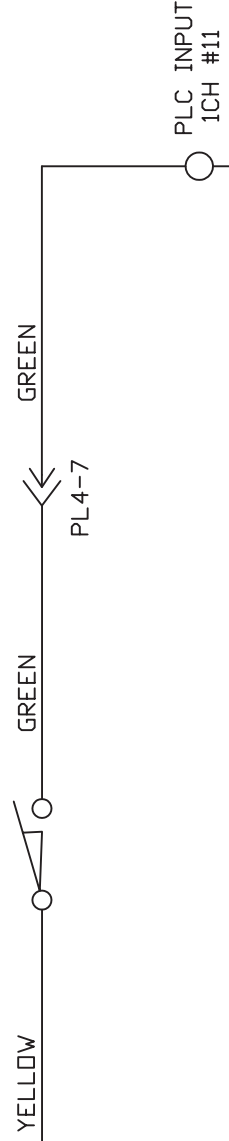
4 3 2 1

4 3 2 1

7-PIN SIDE WHISKER SWITCH



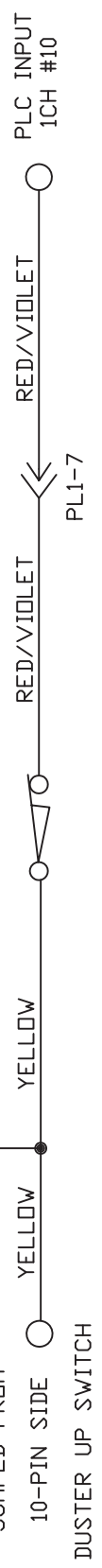
7-PIN SIDE BUMPER SWITCH



10-PIN SIDE BUMPER SWITCH



10-PIN SIDE WHISKER SWITCH



MATERIAL		THE KEGEL CO.		1951 LONGLEAF BLVD. LAKE WALES, FL 33869	
N/A		DESCRIPTION		BUMPER & WHISKER	
DRAWN BY	DATE	DO NOT SCALE DRAWING		SIZE	
SLS	07/21/15	DO NOT SCALE DRAWING		A	
APPROVED:	REV DATE	DO NOT SCALE DRAWING		N/A	
MP		DO NOT SCALE DRAWING		N/A	
DOC		DO NOT SCALE DRAWING		SCALE	
REV		DO NOT SCALE DRAWING		N/A	
		DO NOT SCALE DRAWING		SHEET 27 OF 27	

4 3 2 1