



Operators Manual

Edition 6:99

SECTION XII • LaneWalker Mechanical Drawings

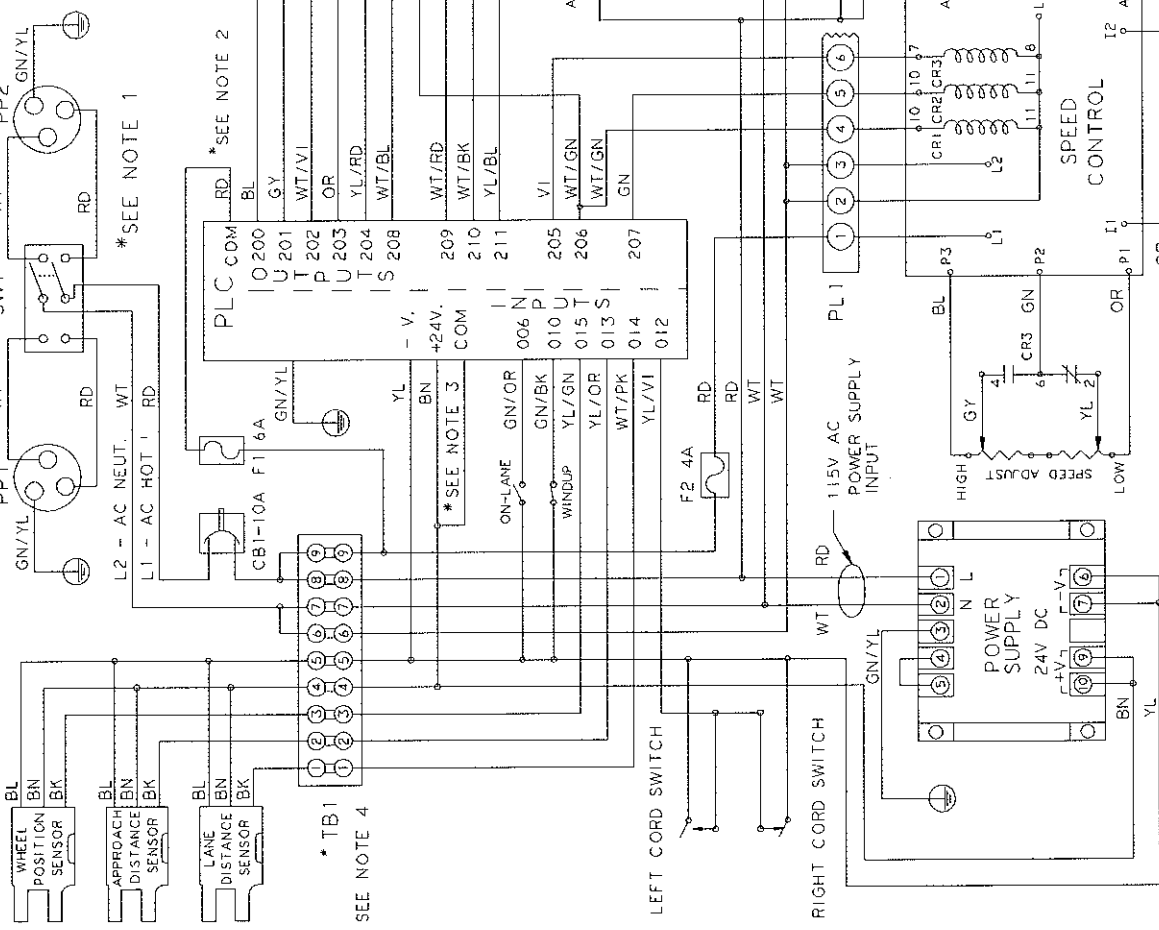
Table of Contents

Edition 6:99

Electrical Wiring Diagram - 115 Volt - 50/60 Hertz
Terminal Block Wiring Diagram

Electrical Compartment View.....	Figure 1
Bottom View.....	Figure 2
Conditioning Compartment.....	Figure 3
Conditioner Transfer Components.....	Figure 4
Original Lane Distance Sensor (Fig. 5) ..	Obsolete
Lane Distance Sensor (Remote).....	Figure 5A
Wheel Position Sensor.....	Figure 6
Lane To Lane Sensor.....	Figure 7
Transfer Roller Drive Components.....	Figure 8
Original Model B Duster (Fig. 9).....	Obsolete
Speed Control Assembly.....	Figure 10
On The Lane Switch.....	Figure 11
Model C Lifting Duster.....	Figure 12
Attaching Parts Breakdown (Fasteners) ...	Page 1
Complete Parts List	Page 1

- NOTES:**
1. CAUTION: 115 AC LINE VOLTAGE PRESENT ! REFER SERVICE TO QUALIFIED SERVICE PERSONNEL ONLY.
 2. ALL OF THE PLC OUTPUT COMMONS ARE CONNECTED TO AC HOT (L1).
 3. THESE ARE RED WIRE JUMPERS FUSED BY F1 (6 AMP).
 4. ALL OF THE PLC INPUT COMMONS ARE CONNECTED TO +24 V. DC.
 5. TERMINAL BLOCK WIRING IS SHOWN IN DETAIL ON PAGE 2.



- LEGEND**
- CR1 CIRCUIT BREAKER-10A
 - CR2 FORWARD DRIVE RELAY
 - CR3 REVERSE DRIVE RELAY
 - CR4 HIGH/LOW SPEED RELAY
 - F1 FUSE (6A-DC COMMON)
 - F2 FUSE (4A-DC CONTROL)
 - PLC PRGM. LOGIC CONTROL
 - PL1 SPEED CONTROL PLUG
 - PP1 POWER PLUG - LEFT
 - PP2 POWER PLUG - RIGHT
 - SW1 PLUG SELECT SWITCH
 - TB1 TERMINAL BLOCK

THE KEGEL CO.
 6800 US HWY 27 NORTH
 SEBRING, FL 33878
 (813) 382-6368

DESCRIPTION
 LANEWALKER - MODEL C
 DOMESTIC WIRING DIAGRAM
 DO NOT SCALE DRAWING

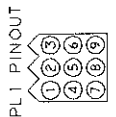
REVISED BY KLEMME
DATE 06/24/99

CHECKER M. DAVIS
ENGINEER J. DAVIS

SIZE C
VOLTAGE/HZ 115/60
PART NUMBER 17-3000

APPROVALS
 UL 561 & CSA C22.2 No. 10

SCALE N/A
SHEET 1 OF 2

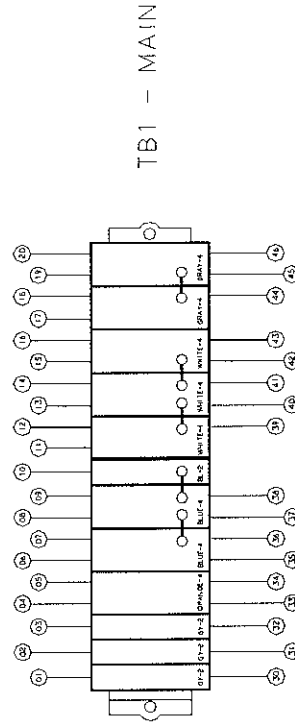


CAUTION: 115 AC VOLTAGE PRESENT !!!

BLOCK COLOR LEGEND:
 BLUE = YELLOW WIRES (24 VDC -)
 ORANGE = BROWN WIRES (24 VDC +)
 GRAY = RED WIRES (HOT)
 WHITE = WHITE WIRES
 BLACK = BLACK WIRES (24 VDC)

—○— = JUMPER

- # 1 COLOR - CONTACT
- 2 BLACK - LANE DISTANCE SENSOR
- 3 BLACK - APPROACH DISTANCE SENSOR
- 4 BLACK - WHEEL POSITION SENSOR
- 5 BROWN - POWER SUPPLY (24V+)
- 6 BROWN - APPROACH DISTANCE SENSOR
- 7 BLUE - LANE DISTANCE SENSOR
- 8 BLUE - APPROACH DISTANCE SENSOR
- 9 BLUE - WHEEL POSITION SENSOR
- 10 YELLOW - POWER SUPPLY (24V-)
- 11 YELLOW - DUSTER WIND-UP SWITCH (RIGHT)
- 12 WHITE - PL1 #2 SPEED CONTROL RELAYS
- 13 WHITE - R.O. SOLENOID (JUMPS TO OTHERS)
- 14 WHITE - PL1 #3 SPEED CONTROL - L2 (14 AWG)
- 15 WHITE - POWER SUPPLY (L2/N)
- 16 WHITE - BUFFER CONTACTOR-A2
- 17 WHITE - POWER PLUG - L/R SWITCH (14 AWG)
- 18 RED - CIRCUIT BREAKER - 10A(14 AWG)
- 19 RED - POWER SUPPLY (L1)
- 20 RED - PL1 #1 - SPEED CONTROL (14 AWG)
- 21 RED - BUFFER CONTACTOR-L1 (14 AWG)
- 22 WHITE/PINK - PC INPUT 014 (LDS)
- 23 YELLOW/ORANGE - PC INPUT 013 (ADS)
- 24 YELLOW/GREEN - PC INPUT 015 (WPS)
- 25 BROWN - WHEEL POSITION SENSOR
- 26 BROWN - LANE DISTANCE SENSOR
- 27 YELLOW - ON LANE SWITCH
- 28 YELLOW - DUSTER WIND-UP SWITCH (LEFT)
- 29 YELLOW - CORD SWITCH - RIGHT
- 30 YELLOW - CORD SWITCH - LEFT
- 31 WHITE - CR4 #8 (DUSTER RELAY)
- 32 WHITE - DUSTER UNWIND MOTOR
- 33 WHITE - DUSTER WIND-UP MOTOR
- 34 WHITE - LANE-TO-LANE MOTOR
- 35 WHITE - BUFFER MOTOR (14 AWG)
- 36 RED - DUSTER BUTTON (LEFT-UP)
- 37 RED - DUSTER BUTTON (RIGHT-DOWN)
- 38 RED - FUSE - 4A (PC COMMON)
- 39
- 40
- 41
- 42
- 43
- 44
- 45
- 46



TB1 - MAIN

THE KEGEL CO
 6800 US HWY 27 NORTH
 SEBRING, FL 33870
 (941) 382-5888

DESCRIPTION
 TERMINAL BLOCK WIRING
 LANEWALKER

DO NOT SCALE	DRAWING
VOLTAGE	PART NUMBER
C 115	17-3000
SCALE	SHEET
N/A	2 OF 2

DRAWN BY	DATE
KLEMME	06/22/99
CHECKER	ENGINEER
T.C./RD	J. DAVIS
SEE COMPLETE WIRING DIAGRAM	

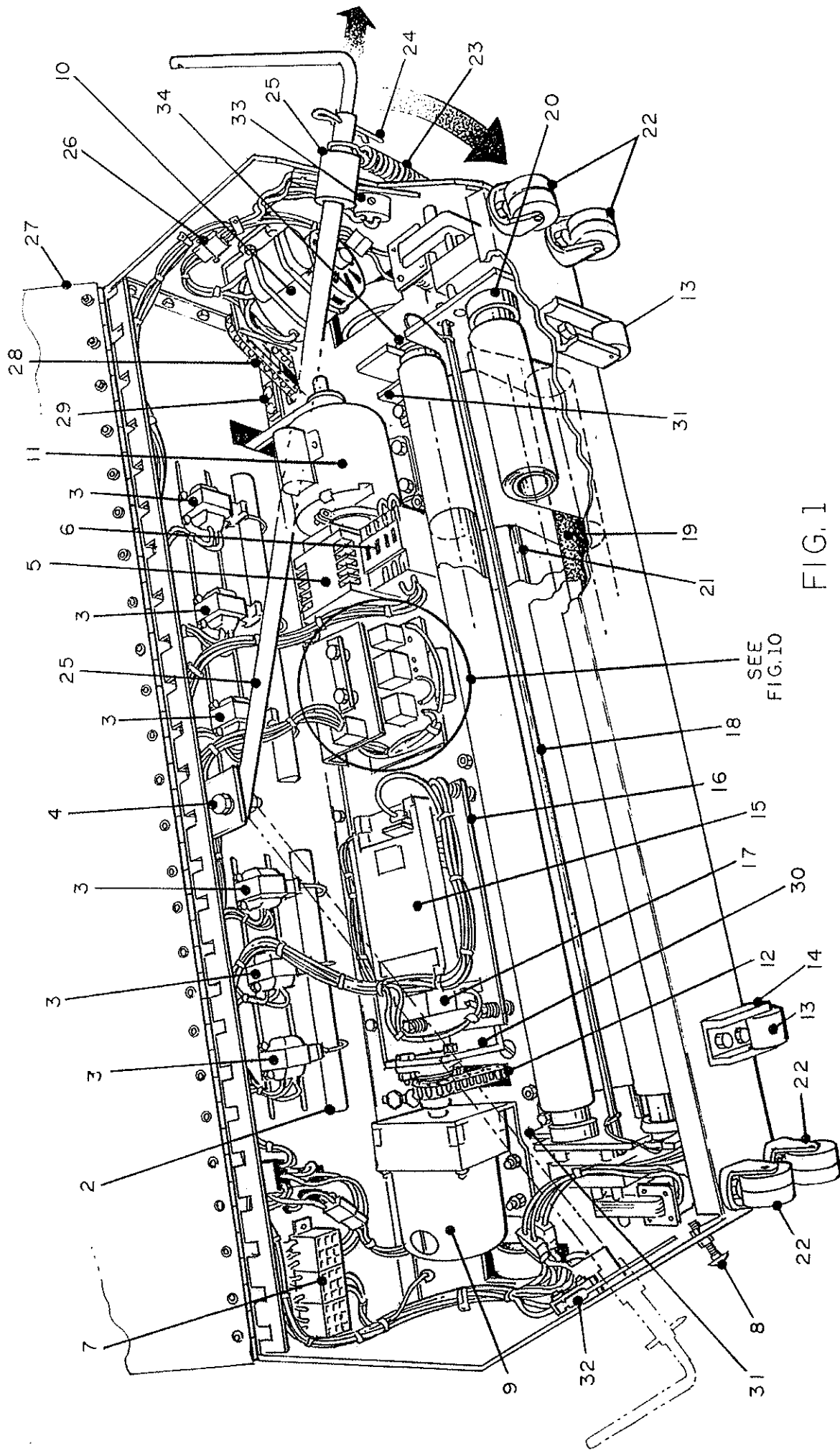


FIG. 1

SEE
FIG. 10

FIGURE NUMBER	INDEX NUMBER	PART NUMBER	PART NAME & DESCRIPTION
FIGURE 1 PART NUMBERS			
<i>NOTE: FIGURE 1 SHOWS THE MODEL B LANEWALKER (SERIAL NUMBERS LW-1194 to LW-1497). FOR SERIAL NUMBERS FROM LW-1498 & ABOVE, REFER TO FIGURE 12 FOR NEW LINODUSTER PARTS.</i>			
1	FIG. 10	153-8001	SPEED CONTROL ASSEMBLY-115 VOLT (LW & LCM)
1	2	153-0007	SOLENOID GUIDE UHMW
1	3	153-1027	SOLENOID (115 VOLT)
1	4	153-6028	CORD HANGER PIVOT MOUNT
1	5	153-1003	POWER SUPPLY 24V DC
1	6	153-1004	BUFFER MOTOR CONTACTOR (115 VOLT)
1	7	154-1239	TERMINAL BLOCK - GRAY 2 CONDUCTOR (WAGO 261)
1	8	153-2076	CARRIAGE BOLT - 1/4-20 X 2
1	9	153-8065	DRIVE MOTOR ASSEMBLY (DAYTON 130VDC/165 RPM)
1	10	153-8013	LANE TO LANE MOTOR ASSEMBLY
1	11	153-8016A	BUFFER MOTOR ASSEMBLY (60 Hz - 10LO50)
1	12	153-9044A	PRIMARY DRIVE CHAIN (40P29)
1	13	153-8311	MOMENTARY WHEEL ASSEMBLY
1	14	153-6029	MOMENTARY LANE ROLLER HOUSING
1	15	153-1001	C28H MICROPROCESSOR (PC)
1	16	153-0020	LARGE PROCESSOR PLATE
1	17	153-1016	LY2 RELAY (115 VOLT)
1	18		NOT USED
1	19	153-8238B	CUSHION ROLLER ASSEMBLY (STEEL CORE = 44")
1	20	153-8201B	DMR LINODUSTER HUB ASSEMBLY (1/4-28 SET)
1	21		NOT USED
1	22	153-0001	TRANSPORT CASTER (3" DUAL WHEEL)
1	23	153-2094	SPRING - 0.85 OD X 6.0 (CORD)
1	24	153-2048	HAIRPIN COTTER
1	25	153-8042	CORD HANGER PIVOT ARM & EXTENSION ASSEMBLY
1	26		NOT USED
1	27	153-8048	COMPLETE LID ASSEMBLY (57-7/8")
1	28	153-9043	LANE TO LANE CHAIN (35P43)
1	29	153-8218	1.25" STUD PLATE ASSEMBLY
1	30	153-8047	DRIVE MOTOR BEARING BRACKET ASSEMBLY
1	31		NOT USED
1	32	153-1008	MICROSWITCH (EMERGENCY SHUT-OFF)
1	33	153-1026	FLANGED TWISTLOCK INLET - 125V/15A
1	34		NOT USED

FIGURE 1

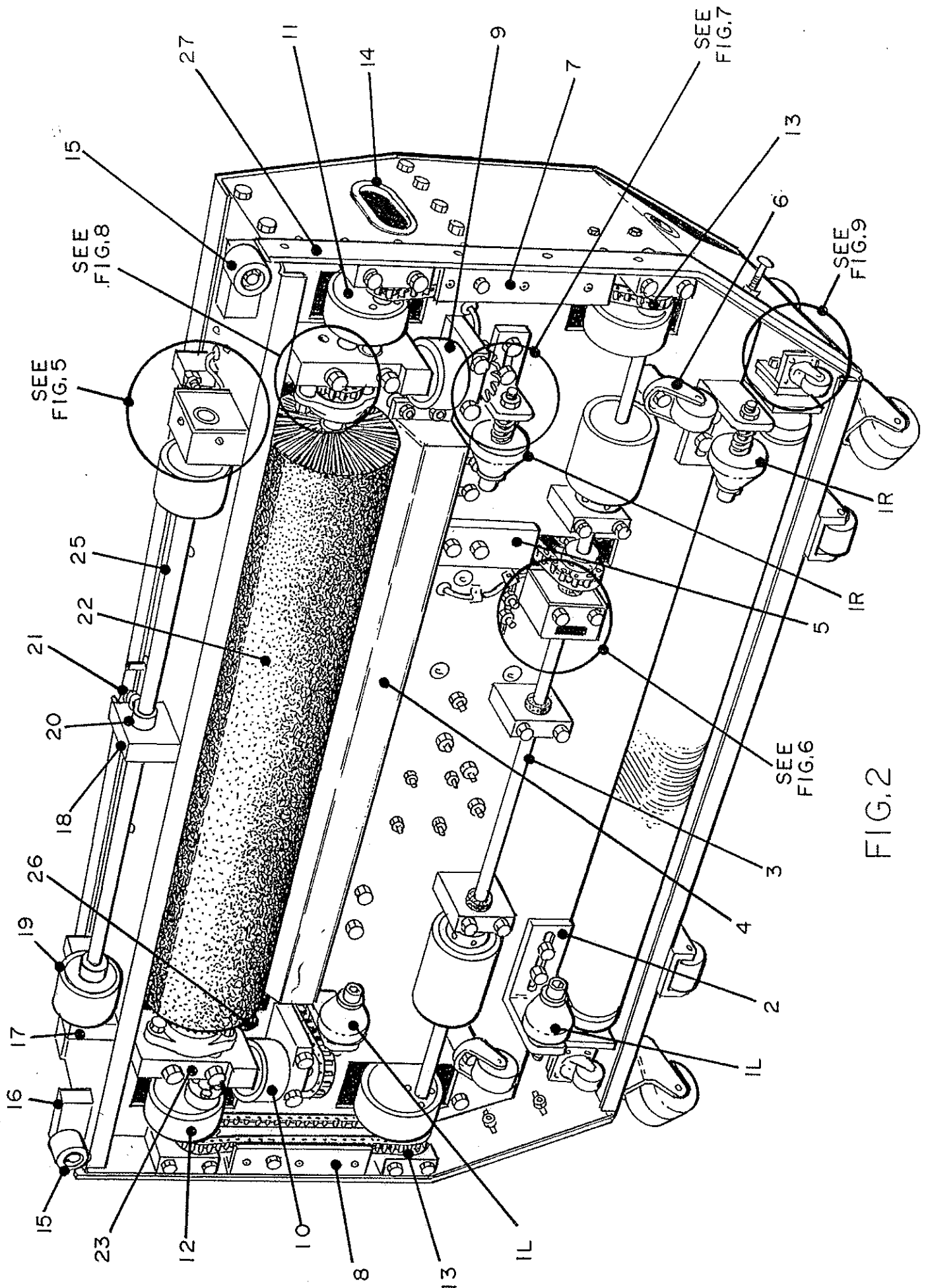


FIG. 2

FIGURE NUMBER	INDEX NUMBER	PART NUMBER	PART NAME & DESCRIPTION
FIGURE 2 PART NUMBERS			
2	1L	153-8310	LANE EDGE GUIDE ROLLER ASSEMBLY (3/8" BORE)
2	1R	153-8310	LANE EDGE GUIDE ROLLER ASSEMBLY (3/8" BORE)
2	2	153-6032	LANE EDGE GUIDE ROLLER MOUNTING ANGLE
2	3	153-8004	MAIN DRIVE SHAFT ASSEMBLY
2	4	153-8019	OIL TANK ASSEMBLY
2	5	153-8041	UHMW DRIVE MOTOR CHAIN TENSIONER (LW=1-1/2 X 4)
2	6	153-0002	LANE TO LANE CASTER (2" SINGLE WHEEL)
2	7	153-8020R	RIGHT HOPPER CHAIN TENSIONER & GUARD ASSEMBLY
2	8	153-8020L	LEFT HOPPER CHAIN TENSIONER & GUARD ASSEMBLY
2	9	153-8009	LANE TO LANE MEASURING WHEEL ASSEMBLY
2	10	153-8023	LANE TO LANE DRIVE WHEEL ASSEMBLY
2	11	153-8007	LONG SHAFT HOPPER WHEEL ASSEMBLY
2	12	153-8006	SHORT SHAFT HOPPER WHEEL ASSEMBLY
2	13	153-9044	HOPPER DRIVE CHAIN (40P65) SECONDARY
2	14	153-6048A	MACHINE HANDLE TRIM (11")
2	15	153-6009	UHMW BUMPER WHEEL
2	16	153-6025	BUMPER WHEEL MOUNTING BLOCK (LANEWALKER)
2	17	153-8033	LANE DISTANCE COUNTER PILLOWBLOCK (LEFT)
2	18	153-8032S	LANE DISTANCE PILLOWBLOCK ASSEMBLY (CENTER-REMOTE LDS)
2	19	153-7002AA	LANE DISTANCE COUNTER WHEEL-TREADED (2 INCH)
2	20		NOT USED
2	21		NOT USED
2	22	153-8017	BUFFER BRUSH ASSEMBLY (LW)
2	23	153-8027	LEFT BRUSH PILLOWBLOCK ASSEMBLY
2	24	153-8028	RIGHT BRUSH PILLOWBLOCK ASSEMBLY
2	25	153-6065A	LANE DISTANCE COUNTER SHAFT (REMOTE LDS) LW & LCM
2	26	153-8039	BUFFER BELT IDLER ASSEMBLY
2	27	153-0106R	UHMW BUMPER PLASTIC - RIGHT SIDE (1/4")

FIGURE 2

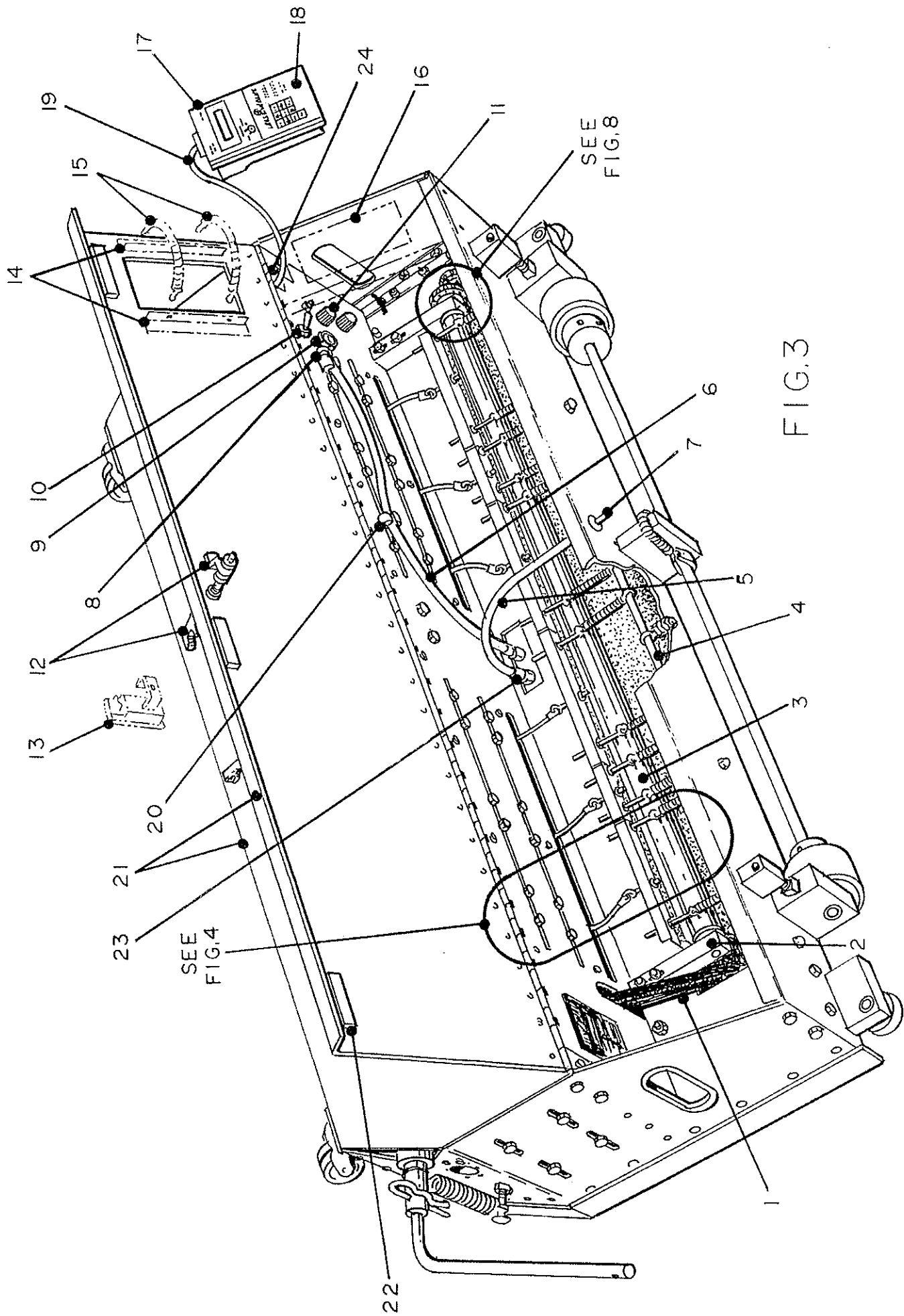


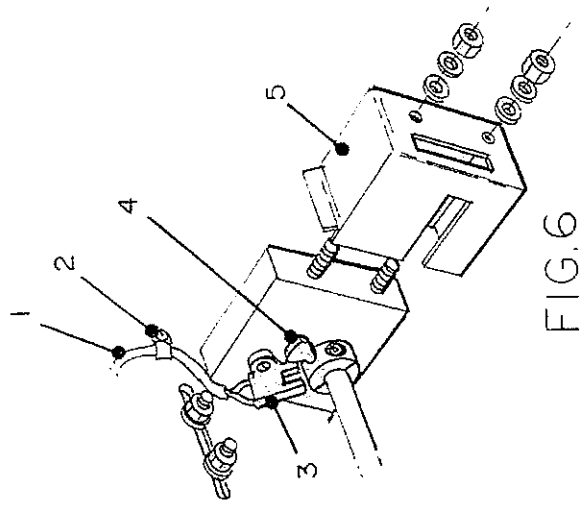
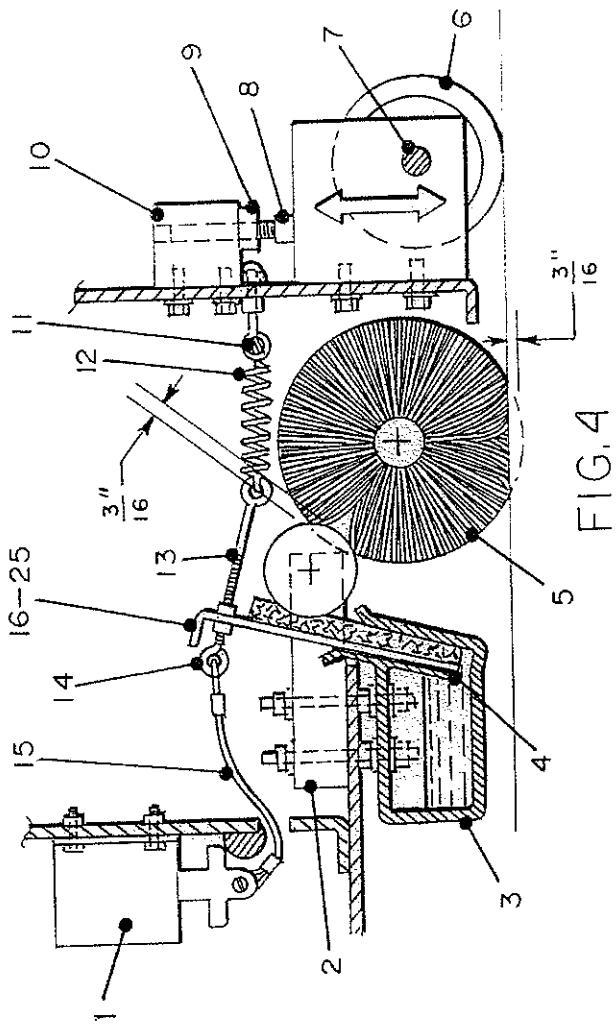
FIG. 3

SEE
FIG. 4

SEE
FIG. 8

FIGURE NUMBER	INDEX NUMBER	PART NUMBER	PART NAME & DESCRIPTION
FIGURE 3 PART NUMBERS			
3	1	153-9015	T-BELT 322LO50 (BUFFER MOTOR)
3	2	153-8051	TRANSFER ROLLER ARM MOUNT ASSEMBLY (4-3/4")
3	3	153-8008	TRANSFER ROLLER ASSEMBLY (LW)
3	4	153-0044	SPRING ROD (LANEWALKER - 48")
3	5	153-1052D	OIL REFILL TUBING (15-1/2")
3	6	153-1052A	OIL VENT TUBING (20")
3	7	153-1055	TUBE HOSE STEM (GRAY PLASTIC)
3	8	153-1054	OIL VENT HOSE PLUG (GRAY PLASTIC)
3	9	153-1030	CIRCUIT BREAKER (10 AMP)
3	10	153-1009	TOGGLE SWITCH
3	11	153-1028	PANEL MOUNT FUSE HOLDER
3	12		NOT USED
3	13	153-2232A	LID LATCH - FLUSH MOUNT DUAL BUTTON (LW-1398 & ABOVE)
3	14		NOT USED
3	15		NOT USED
3	16		NOT USED
3	17	153-1002C	PRO01 KEYBOARD (CQM-1)
3	18	153-0025	KEYBOARD DECAL (LANEWALKER)
3	19		NOT USED
3	20	153-2046	SPRING CLIP (OIL VENT HOSE CLIP)
3	21	153-8048	COMPLETE LID ASSEMBLY (57-7/8")
3	22	153-0036	LID VIBRATION STRIP (SOLD BY INCH)
3	23	153-1053	TANK VENT FITTING (BRASS)
3	24	153-0046	SQUARE GROMMET (5")

FIGURE 3

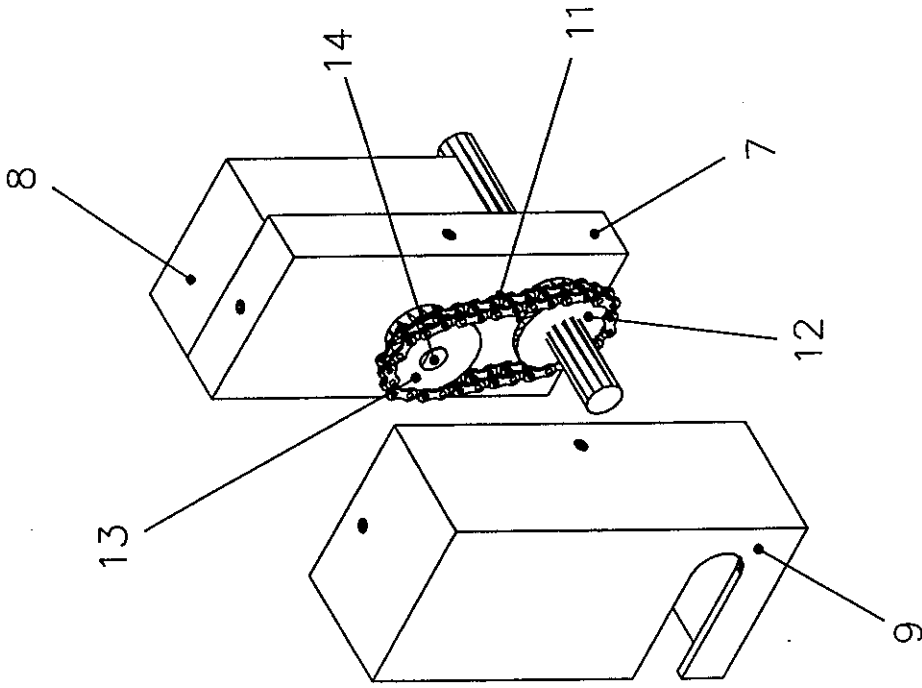


See Figure 5A
For New LDS

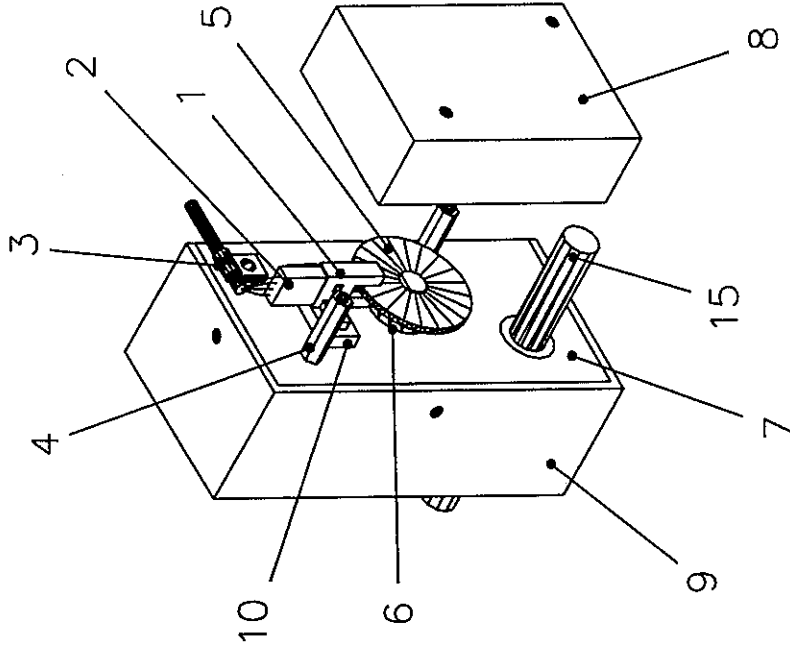
FIGURE NUMBER	INDEX NUMBER	PART NUMBER	PART NAME & DESCRIPTION
FIGURE 4 PART NUMBERS			
4	1	153-1027	SOLENOID (115 VOLT)
4	2	153-8051	TRANSFER ROLLER ARM MOUNT ASSEMBLY (4-3/4")
4	3	153-8019	OIL TANK ASSEMBLY
4	4	153-0011	TANK PIVOT POINT SHIM (1/8" ALUMINUM)
4	4	153-0074	TANK PIVOT POINT SHIM (0.090 ALUMINUM)
4	5	153-8017	BUFFER BRUSH ASSEMBLY (LW)
4	6	153-7002AA	LANE DISTANCE COUNTER WHEEL-TREADED (2 INCH)
4	7	153-6065A	LANE DISTANCE COUNTER SHAFT (REMOTE LDS) LW & LCM
4	8	153-2047	SQUARE HEAD SET SCREW - 3/8 X 2
4	9	153-2027	JAM NUT - 3/8
4	10	153-6027	LANE DISTANCE ADJUSTMENT BLOCK
4	11	153-0044	WICK SPRING ROD (LANEWALKER - 48")
4	12	153-2095	SPRING - 0.438 OD X 2.75 (0.037 WIRE-WICK)
4	13	153-2043	EYEBOLT - 10-24 X 4" OVERALL
4	14	153-2044	EYEBOLT - 10-24 X 2" OVERALL
4	15	153-8010C	SOLENOID CABLE ASSEMBLY (6.312")
4	16	153-8103	3" COMPLETE WICK PLATE ASSEMBLY
4	17	153-8104	4" COMPLETE WICK PLATE ASSEMBLY
4	18	153-8105	5" COMPLETE WICK PLATE ASSEMBLY
4	19	153-8106	6" COMPLETE WICK PLATE ASSEMBLY
4	20	153-8107	7" COMPLETE WICK PLATE ASSEMBLY
4	21	153-8108	8" COMPLETE WICK PLATE ASSEMBLY
4	22	153-8109	9" COMPLETE WICK PLATE ASSEMBLY
4	23	153-8110	10" COMPLETE WICK PLATE ASSEMBLY
4	24	153-8111	11" COMPLETE WICK PLATE ASSEMBLY
4	25	153-8112	12" COMPLETE WICK PLATE ASSEMBLY

FIGURE NUMBER	INDEX NUMBER	PART NUMBER	PART NAME & DESCRIPTION
FIGURE 6 PART NUMBERS			
6	1	153-1031B	SENSOR PLUG & CABLE
6	2	153-1049D	WIRE HARNESS CLAMP - 1/8
6	3	153-1031A	PASS-THROUGH SENSOR
6	4	153-8044	FIELD REPLACEMENT COLLAR ASSEMBLY
6	5	153-8050	WHEEL POSITION SENSOR GUARD ASSEMBLY

FIGURE 5A



RIGHT VIEW



LEFT VIEW

FIGURE NUMBER	INDEX NUMBER	PART NUMBER	PART NAME & DESCRIPTION
FIGURE 5A PART NUMBERS (SERIAL NUMBER 1598 & UP)			
5 A	1	153-1031A	PASS-THROUGH SENSOR
5 A	2	153-1031B	SENSOR PLUG & CABLE
5 A	3	153-1049D	WIRE HARNESS CLAMP - 1/8
5 A	4	153-2530	STANDOFF FASTENER - 8-32 X 1 (MALE/FEMALE) STEEL
5 A	5	154-6262	TIMING DISK FOR LANE DISTANCE AND TACH SENSOR
5 A	6	154-6265	MOUNTING HUB FOR TIMING DISK (REMOTE SENSOR)
5 A	7	153-8032S	LANE DISTANCE PILLOWBLOCK ASSEMBLY (CENTER - LDS)
5 A	8	154-6266	GUARD FOR TIMING DISK (LDS & TACH) ALUMINUM
5 A	9	154-6267	LDS CHAIN GUARD - ALUMINUM
5 A	10	154-6270	SPACER FOR LDC SENSOR (3/16" ALUMINUM)
5 A	11	154-9211	LDS AND TACH SENSOR DRIVE CHAIN (25P29)
5 A	12	154-9213	SPROCKET - 25B15 (TACH AND LDS DRIVE 1/2" BORE)
5 A	13	153-9010	SPROCKET - 25B15 (3/8" BORE)
5 A	14	154-6264	SHAFT FOR TIMING DISK (REMOTE SENSOR)
5 A	15	153-6065A	LANE DISTANCE COUNTER SHAFT (REMOTE LDS) LW & LCM

FIGURE 5A

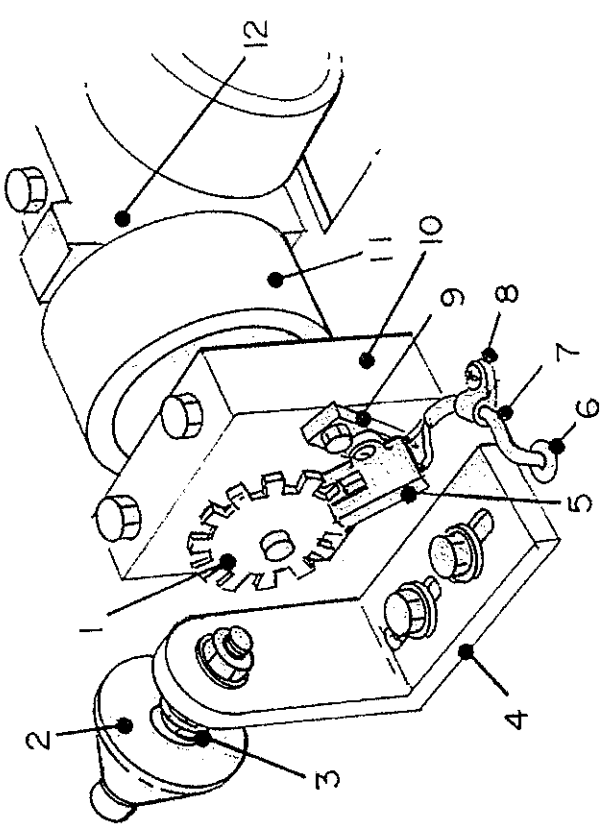


FIG. 7

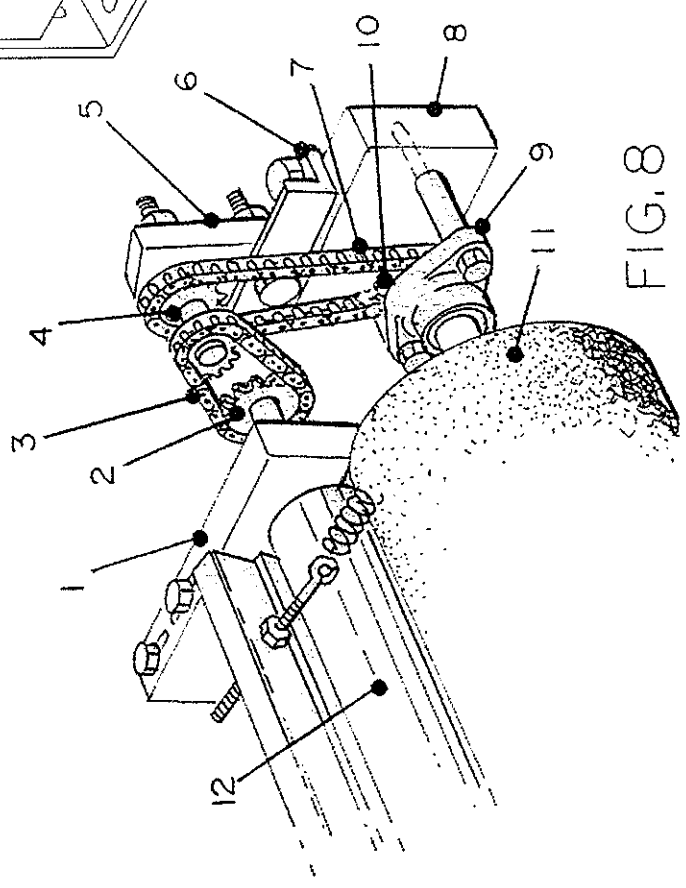


FIG. 8

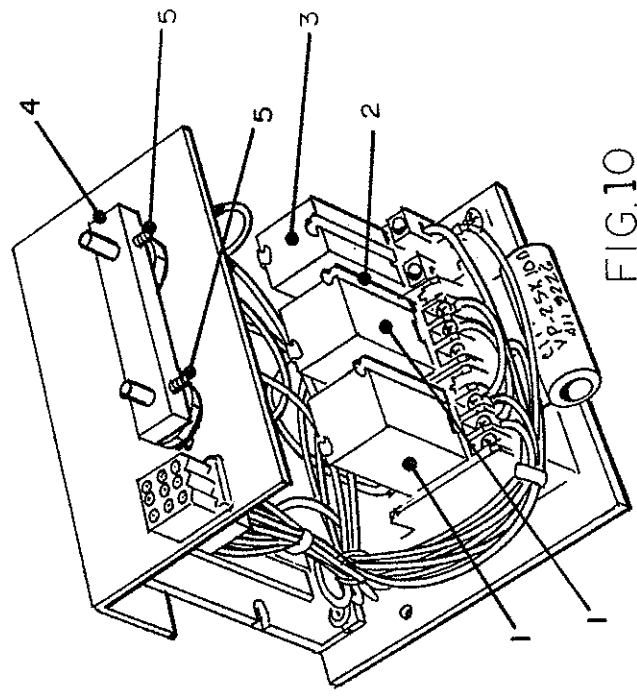
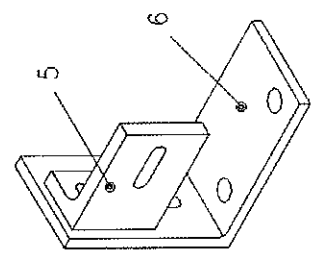


FIG. 10

See Figure 12
For New Duster

FIGURE NUMBER	INDEX NUMBER	PART NUMBER	PART NAME & DESCRIPTION
FIGURE 7 PART NUMBERS			
7	1	153-9107	SPROCKET (25-TOOTH LANE TO LANE SENSOR)
7	2	153-8310	LANE EDGE GUIDE ROLLER ASSEMBLY (3/8" BORE)
7	3	153-0226	SPRING - 0.42 OD X 1.0 (GUIDE ROLLER)
7	4	153-6032	LANE EDGE GUIDE ROLLER MOUNTING ANGLE
7	5	153-1031A	PASS-THROUGH SENSOR
7	6	153-2040	SPOOL GROMMET - 1/2
7	7	153-1031B	SENSOR PLUG & CABLE
7	8	153-1049D	WIRE HARNESS CLAMP - 1/8
7	9	153-6060	APPROACH-SENSOR ADJUSTMENT BAR
7	10	153-8046	LANE TO LANE SENSOR PILLOWBLOCK ASSEMBLY
7	11	153-8009	LANE TO LANE MEASURING WHEEL ASSEMBLY
7	12	153-8028	RIGHT BRUSH PILLOWBLOCK ASSEMBLY

FIGURE NUMBER	INDEX NUMBER	PART NUMBER	PART NAME & DESCRIPTION
FIGURE 8 PART NUMBERS			
8	1	153-8051	TRANSFER ROLLER ARM MOUNT ASSEMBLY (4-3/4")
8	2	153-9008	SPROCKET - TRANSFER ROLLER 25B25
8	3	153-9042A	TRANSFER ROLLER SECONDARY CHAIN (25P35)
8	4	153-8040	TRANSFER IDLER SPROCKET ASSEMBLY
8	5	153-6411	TRANSFER CHAIN IDLER SPROCKET MOUNTING ANGLE (1 x 2)
8	6	153-6026A	TRANSFER CHAIN ADJUSTING ANGLE
8	7	153-9042	TRANSFER ROLLER PRIMARY CHAIN (25P49)
8	8	153-8028	RIGHT BRUSH PILLOWBLOCK ASSEMBLY
8	9	153-9016	3/4" FLANGED BEARING
8	10	153-9010	SPROCKET - TRANSFER DRIVE 25B15 (3/8" BORE)
8	11	153-8017	BUFFER BRUSH ASSEMBLY (LW)
8	12	153-8008	TRANSFER ROLLER ASSEMBLY (LW)

FIGURE NUMBER	INDEX NUMBER	PART NUMBER	PART NAME & DESCRIPTION
FIGURE 10 PART NUMBERS			
10	1	153-1018	LY3 RELAY (115 VOLT)
10	2	153-1020	RELAY CLAMP
10	3	153-1016	LY2 RELAY (115 VOLT)
10	4	153-6061	SPEED CONTROL POTENTIOMETER LOCKING BAR
10	5	153-2049	SET SCREW - 8-32 X 3/16

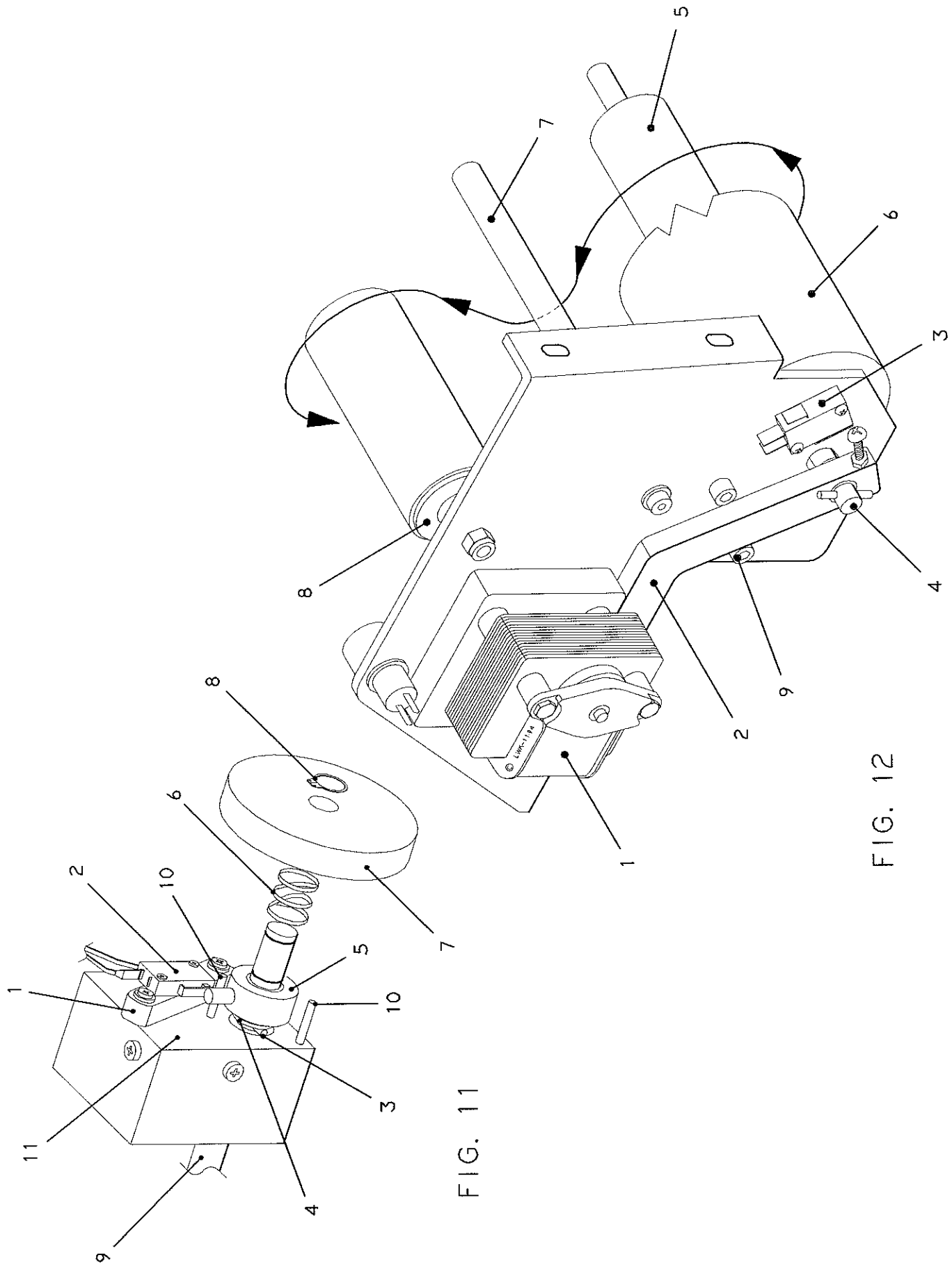


FIG. 11

FIG. 12

FIGURE NUMBER	INDEX NUMBER	PART NUMBER	PART NAME & DESCRIPTION
FIGURE 11 PART NUMBERS			
<i>NOTE: THE PARTS IN FIGURE 11 ARE USED ON MACHINES FROM SERIAL NUMBER LW-1333 & UP</i>			
11	1	153-6068	ADJUSTMENT BAR FOR ON-LANE SWITCH
11	2	153-1202	MICROSWITCH - WITHOUT ROLLER (DMR LINODUSTER & O L S)
11	3	153-2038	ROLL PIN - 1/8 X 1
11	4	153-2010A	NYLON FLAT WASHER (1/2 - 0.060)
11	5	153-8062	COLLAR ASSEMBLY FOR ON-LANE SWITCH
11	6	153-2115	SPRING - 0.66 OD X 0.625 (ON-LANE SWITCH)
11	7	153-7401	UHMW KICK-UP WHEEL
11	8	153-2413	SNAP RING - 1/2
11	9	153-6065A	LANE DISTANCE COUNTER SHAFT (REMOTE LDS) LW & LCM
11	10	153-2038A	ROLL PIN - 1/8 X 1-1/4
11	11	153-8031S	LANE DISTANCE PILLOWBLOCK ASSEMBLY (OLS)

FIGURE NUMBER	INDEX NUMBER	PART NUMBER	PART NAME & DESCRIPTION
FIGURE 12 PART NUMBERS			
<i>NOTE: THE PARTS IN FIGURE 12 ARE USED ON MACHINES FROM SERIAL NUMBER LW-1498 & UP</i>			
12	1	154-8004	CONE-BRAKE MOTOR & BUTTON ASSEMBLY (7 RPM-115 VOLT)
12	2	153-8248R	PIVOT ARM ASSEMBLY (LIFTING DUSTER-DOGLEG)
12	3	153-1202	MICROSWITCH - WITHOUT ROLLER (DMR & OLS)
12	4	153-6272	CUSHION ROLLER SHAFT - LIFTING LINODUSTER
12	5		NOT USED
12	6	153-8238B	CUSHION ROLLER ASSEMBLY (STEEL CORE = 44")
12	7	153-6825A	LINODUSTER CLOTH ROUTING BAR (STEEL)
12	8	153-6850	UHMW LINODUSTER PLUG FOR CARDBOARD CORE
12	9	153-2412	SHCS - 1/4-20 x 1/2

DBA LaneWalker OPERATORS MANUAL
ATTACHING PARTS INDEX

FIGURE NUMBER	INDEX NUMBER	PART NUMBER	PART NAME & DESCRIPTION	QTY NEEDED
1	FIG. 10	153-8001	SPEED CONTROL ASSEMBLY-115 VOLT (LW & LCM)	1
			ATTACHING PARTS	
		153-2002	FLAT WASHER - #8	2
		153-2019	LOCKNUT - 8-32 (NYLOK)	2
		153-2089	MS PHILLIPS - 8-32 X 1	2
1	2	153-0007	SOLENOID GUIDE UHMW	2
			ATTACHING PARTS	
		153-2088	MS PHILLIPS - 8-32 X 3/4 (SELF)	3
1	3	153-1027	SOLENOID (115 VOLT)	6
			ATTACHING PARTS	
		153-2002	FLAT WASHER - #8	8
		153-2019	LOCKNUT - 8-32 (NYLOK)	5
		153-2086	MS PHILLIPS - 8-32 X 5/8	4
		153-2089	MS PHILLIPS - 8-32 X 1	1
		153-2109	PLAIN PLASTIC SPACER - 3/8 OD X 5/8	1
		153-8010C	SOLENOID CABLE ASSEMBLY (6.312")	1
1	4	153-6028	CORD HANGER PIVOT MOUNT	1
			ATTACHING PARTS	
		153-2004	FLAT WASHER - 1/4	4
		153-2014	LOCK WASHER - 1/4	2
		153-2023	HEX NUT - 1/4-20	2
		153-2053	HHCS - 1/4-20 X 1	2
1	5	153-1003	POWER SUPPLY 24V DC	1
			ATTACHING PARTS	
		153-2001	FLAT WASHER - #6	8
		153-2018	LOCKNUT - 6-32 (NYLOK)	4
		153-2084	MS PHILLIPS - 6-32 X 1	4
1	6	153-1004	BUFFER MOTOR CONTACTOR (115 VOLT)	1
			ATTACHING PARTS	
		153-2002	FLAT WASHER - #8	2
		153-2019	LOCKNUT - 8-32 (NYLOK)	2
		153-2089	MS PHILLIPS - 8-32 X 1	2
1	7	154-1239	TERMINAL BLOCK - GRAY 2 CONDUCTOR (WAGO 261)	3
			NOTE: MULTIPLE COLORS ARE USED IN TERMINAL BLOCK ASSEMBLY	
			ATTACHING PARTS FOR ASSEMBLY	
		153-2231	LOCKNUT - 4-40	2
		153-2522	MS PHILLIPS - 4-40 X 1/2	2
		154-1247	END PLATE FOR TERMINAL BLOCK	1

DBA LaneWalker OPERATORS MANUAL
ATTACHING PARTS INDEX

FIGURE NUMBER	INDEX NUMBER	PART NUMBER	PART NAME & DESCRIPTION	QTY NEEDED
1	8	153-2076	CARRIAGE BOLT - 1/4-20 X 2	2
			ATTACHING PARTS	
		153-2004	FLAT WASHER - 1/4	2
		153-2014	LOCK WASHER - 1/4	1
		153-2023	HEX NUT - 1/4-20	2
1	9	153-8065	DRIVE MOTOR ASSEMBLY (130VDC/165 RPM)	1
			ATTACHING PARTS	
		153-2004	FLAT WASHER - 1/4	8
		153-2014	LOCK WASHER - 1/4	4
		153-2023	HEX NUT - 1/4-20	4
		153-2053	HHCS - 1/4-20 X 1	4
1	10	153-8013	LANE TO LANE MOTOR ASSEMBLY	1
			NOTE: THIS ASSEMBLY INCLUDES 153-1056 (LANE-TO-LANE MOTOR CAPACITOR)	
			ATTACHING PARTS	
		153-1060	LANE TO LANE MOTOR MOUNT	1
		153-2004	FLAT WASHER - 1/4	8
		153-2013	LOCK WASHER - 3/16	4
		153-2014	LOCK WASHER - 1/4	4
		153-2023	HEX NUT - 1/4-20	4
		153-2053	HHCS - 1/4-20 X 1	4
1	11	153-8016A	BUFFER MOTOR ASSEMBLY (60 Hz - 10LO50)	1
			ATTACHING PARTS	
		153-1038	WIRE JOINT (SMALL)	1
		153-2005	FLAT WASHER - 5/16	7
		153-2015	LOCK WASHER - 5/16	4
		153-2024	HEX NUT - 5/16-18	3
		153-2061	HHCS - 5/16-18 X 1	4
1	12	153-9044A	PRIMARY DRIVE CHAIN (40P29)	1
			ATTACHING PARTS	
		153-9047	40 MASTER LINK	1
			NOTE: ADD 153-9048 IF MACHINE HAS A ROBBINS-MYERS DRIVE MOTOR	1
1	13	153-8311	MOMENTARY WHEEL ASSEMBLY	2
			ATTACHING PARTS	
		153-2049	SET SCREW - 8-32 X 3/16	1
		153-6006	MOMENTARY LANE ROLLER SHAFT	1

DBA LaneWalker OPERATORS MANUAL
ATTACHING PARTS INDEX

FIGURE NUMBER	INDEX NUMBER	PART NUMBER	PART NAME & DESCRIPTION	QTY NEEDED
1	14	153-6029	MOMENTARY LANE ROLLER HOUSING	2
			ATTACHING PARTS	
		153-2005	FLAT WASHER - 5/16	4
		153-2015	LOCK WASHER - 5/16	2
		153-2024	HEX NUT - 5/16-18	2
		153-2049	SET SCREW - 8-32 X 3/16	1
		153-2061	HHCS - 5/16-18 X 1	2
1	15	153-1001	C28H MICROPROCESSOR (PC)	1
1	16	153-0020	LARGE PROCESSOR PLATE	1
			ATTACHING PARTS	
		153-2004	FLAT WASHER - 1/4	8
		153-2014	LOCK WASHER - 1/4	4
		153-2023	HEX NUT - 1/4-20	4
		153-2029	ACORN NUT - 1/4-20	4
		153-2075	CARRIAGE BOLT - 1/4-20 X 2-1/2	4
		153-2093	SPRING - 0.42 OD X 0.75 (PROCESSOR)	8
1	17	153-1016	LY2 RELAY (115 VOLT)	1
			ATTACHING PARTS	
		153-1017	LY2 RELAY BASE	1
		153-1020	RELAY CLAMP	2
		153-2088	MS PHILLIPS - 8-32 X 3/4 (SELF)	2
1	18		NOT USED	
1	19	153-8238B	CUSHION ROLLER ASSEMBLY (STEEL CORE = 44")	1
			ATTACHING PARTS	
		153-2006	FLAT WASHER - 3/8	2
		153-2038	ROLL PIN - 1/8 X 1	2
		153-6233	DMR LINODUSTER CUSHION ROLLER ROD	1
		153-9050	CUSHION ROLLER PLUG (1.660 X 0.140 X 0.375)	2
1	20	153-8201B	DMR LINODUSTER HUB ASSEMBLY	2
			ATTACHING PARTS	
		153-2050	SET SCREW - 1/4-28 X 3/8	1
1	21		NOT USED	
1	22	153-0001	TRANSPORT CASTER (3" DUAL WHEEL)	4
			ATTACHING PARTS	
		153-2007	FLAT WASHER - 1/2	2
		153-2017	LOCK WASHER - 1/2	1
		153-2026	HEX NUT - 1/2-13	1
		153-2073A	HHCS - 1/2-13 X 1-1/2	1

DBA LaneWalker OPERATORS MANUAL
ATTACHING PARTS INDEX

FIGURE NUMBER	INDEX NUMBER	PART NUMBER	PART NAME & DESCRIPTION	QTY NEEDED
1	23	153-2094	SPRING - 0.85 OD X 6.0 (CORD)	1
1	24	153-2048	HAIRPIN COTTER	1
1	25	153-8042	CORD HANGER PIVOT ARM & EXTENSION ASSEMBLY	1
			NOTE: 153-6037 CORD HANGER EXTENSION ARM IS INCLUDED WITH ASSEMBLY	
			ATTACHING PARTS	
		153-2004	FLAT WASHER - 1/4	4
		153-2014	LOCK WASHER - 1/4	1
		153-2023	HEX NUT - 1/4-20	2
		153-2048	HAIRPIN COTTER	1
		153-2057	HHCS - 1/4-20 X 2	1
		153-2094	SPRING - 0.85 OD X 6.0 (CORD)	1
1	26		NOT USED	
1	27	153-8048	COMPLETE LID ASSEMBLY (57-7/8")	1
			ATTACHING PARTS	
		153-2002	FLAT WASHER - #8	4
		153-2019	LOCKNUT - 8-32 (NYLOK)	2
		153-2086	MS PHILLIPS - 8-32 X 5/8	2
1	28	153-9043	LANE TO LANE CHAIN (35P43)	1
			ATTACHING PARTS	
		153-9046	35 MASTER LINK	1
1	29	153-8218	1.25" STUD PLATE ASSEMBLY	4
			ATTACHING PARTS	
		153-2004	FLAT WASHER - 1/4	2
		153-2014	LOCK WASHER - 1/4	2
		153-2023	HEX NUT - 1/4-20	2
1	30	153-8047	DRIVE MOTOR BEARING BRACKET ASSEMBLY	1
			ATTACHING PARTS	
		153-2006	FLAT WASHER - 3/8	4
		153-2016	LOCK WASHER - 3/8	2
		153-2025	HEX NUT - 3/8-16	2
		153-2067	HHCS - 3/8-16 X 1-1/4	2
1	31		NOT USED	
1	32	153-1008	MICROSWITCH (EMERGENCY SHUT-OFF)	2
			ATTACHING PARTS	
		153-2001	FLAT WASHER - #6	4
		153-2018	LOCKNUT - 6-32 (NYLOK)	2
		153-2085	MS PHILLIPS - 6-32 X 1-1/4	2

DBA LaneWalker OPERATORS MANUAL
ATTACHING PARTS INDEX

FIGURE NUMBER	INDEX NUMBER	PART NUMBER	PART NAME & DESCRIPTION	QTY NEEDED
1	33	153-1026	FLANGED TWISTLOCK INLET - 125V/15A	2
			ATTACHING PARTS	
		153-2002	FLAT WASHER - #8	2
		153-2019	LOCKNUT - 8-32 (NYLOK)	2
		153-2086	MS PHILLIPS - 8-32 X 5/8	2
1	34		NOT USED	
2	1L	153-8310	LANE EDGE GUIDE ROLLER ASSEMBLY (3/8" BORE)	2
			ATTACHING PARTS WITHOUT SPRING	
		153-2004	FLAT WASHER - 1/4	4
		153-2014	LOCK WASHER - 1/4	1
		153-2023	HEX NUT - 1/4-20	2
		153-2210	SHCS - 1/4-20 X 2 (LANE EDGE GUIDE ROLLER)	1
2	1R	153-8310	LANE EDGE GUIDE ROLLER ASSEMBLY (3/8" BORE)	2
			ATTACHING PARTS ON SPRING-LOADED SIDE	
		153-0226	SPRING - 0.42 OD X 1.0 (GUIDE ROLLER)	1
		153-2004	FLAT WASHER - 1/4	4
		153-2014	LOCK WASHER - 1/4	1
		153-2023	HEX NUT - 1/4-20	2
		153-2211	SHCS - 1/4-20 X 2-3/4 (SPRING-LOADED GUIDE ROLLER)	1
2	2	153-6032	LANE EDGE GUIDE ROLLER MOUNTING ANGLE	4
			ATTACHING PARTS	
		153-2004	FLAT WASHER - 1/4	2
		153-2014	LOCK WASHER - 1/4	2
		153-2023	HEX NUT - 1/4-20	2
		153-8218	1.25" STUD PLATE ASSEMBLY	1
2	3	153-8004	MAIN DRIVE SHAFT ASSEMBLY	1
			ATTACHING PARTS	
		153-2006	FLAT WASHER - 3/8	13
		153-2016	LOCK WASHER - 3/8	8
		153-2021A	LOCKNUT - 3/8-16 (STOVER)	4
		153-2025	HEX NUT - 3/8-16	8
		153-2072	HHCS - 3/8-16 X 3-1/2	7
		153-2077	FHMS - 3/8-16 X 3-1/2	5
2	4	153-8019	OIL TANK ASSEMBLY	1
			ATTACHING PARTS	
		153-2005	FLAT WASHER - 5/16	8
		153-2015	LOCK WASHER - 5/16	4
		153-2024	HEX NUT - 5/16-18	8
		153-2065B	ALL THREAD - 5/16-18 X 3 (TANK MOUNT)	4

DBA LaneWalker OPERATORS MANUAL
ATTACHING PARTS INDEX

FIGURE NUMBER	INDEX NUMBER	PART NUMBER	PART NAME & DESCRIPTION	QTY NEEDED
2	5	153-8041	UHMW DRIVE MOTOR CHAIN TENSIONER (LW=1-1/2 X 4)	1
			ATTACHING PARTS	
		153-2006	FLAT WASHER - 3/8	4
		153-2016	LOCK WASHER - 3/8	2
		153-2025	HEX NUT - 3/8-16	2
		153-2068	HHCS - 3/8-16 X 1-1/2	2
2	6	153-0002	LANE TO LANE CASTER (2" SINGLE WHEEL)	2
			ATTACHING PARTS	
		153-2006	FLAT WASHER - 3/8	2
		153-2016	LOCK WASHER - 3/8	1
		153-2025	HEX NUT - 3/8-16	1
		153-2070	HHCS - 3/8-16 X 2-1/2	1
		153-6047	LANE TO LANE CASTER SPACER	1
2	7	153-8020R	RIGHT HOPPER CHAIN TENSIONER & GUARD ASSEMBLY	1
			ATTACHING PARTS	
		153-0039	1/8" SPACER (1/4" LONG - HOPPER CHAIN TENSIONER)	1
		153-2004	FLAT WASHER - 1/4	2
		153-2006	FLAT WASHER - 3/8	1
		153-2014	LOCK WASHER - 1/4	1
		153-2020	LOCKNUT - 1/4-20 (NYLOK)	1
		153-2023	HEX NUT - 1/4-20	1
		153-2079	FHMS - 1/4-20 X 1	1
		153-2206	HHCS - 1/4-20 X 4-1/2 (FULL THREAD)	1
2	8	153-8020L	LEFT HOPPER CHAIN TENSIONER & GUARD ASSEMBLY	1
			ATTACHING PARTS	
		153-0039	1/8" SPACER (1/4" LONG - HOPPER CHAIN TENSIONER)	1
		153-2004	FLAT WASHER - 1/4	2
		153-2006	FLAT WASHER - 3/8	1
		153-2014	LOCK WASHER - 1/4	1
		153-2020	LOCKNUT - 1/4-20 (NYLOK)	1
		153-2023	HEX NUT - 1/4-20	1
		153-2079	FHMS - 1/4-20 X 1	1
		153-2206	HHCS - 1/4-20 X 4-1/2 (FULL THREAD)	1
2	9	153-8009	LANE TO LANE MEASURING WHEEL ASSEMBLY	1
			ATTACHING PARTS (NOTE: ALSO REFER TO FIGURE 7)	
		153-2006	FLAT WASHER - 3/8	6
		153-2011	NYLON FLAT WASHER (5/8 - 0.060)	2
		153-2016	LOCK WASHER - 3/8	4
		153-2025	HEX NUT - 3/8-16	4
		153-2073	HHCS - 3/8-16 X 4	4
		153-8028	RIGHT BRUSH PILLOWBLOCK ASSEMBLY	1
		153-8046	LANE TO LANE SENSOR PILLOWBLOCK ASSEMBLY	1
		153-9107	SPROCKET (25-TOOTH LANE TO LANE SENSOR)	1

DBA LaneWalker OPERATORS MANUAL
ATTACHING PARTS INDEX

FIGURE NUMBER	INDEX NUMBER	PART NUMBER	PART NAME & DESCRIPTION	QTY NEEDED
2	10	153-8023	LANE TO LANE DRIVE WHEEL ASSEMBLY	1
			ATTACHING PARTS	
		153-2006	FLAT WASHER - 3/8	8
		153-2011	NYLON FLAT WASHER (5/8 - 0.060)	2
		153-2016	LOCK WASHER - 3/8	4
		153-2025	HEX NUT - 3/8-16	4
		153-2073	HHCS - 3/8-16 X 4	4
		153-8027	LEFT BRUSH PILLOWBLOCK ASSEMBLY	1
2	11	153-8007	LONG SHAFT HOPPER WHEEL ASSEMBLY	1
			ATTACHING PARTS	
		153-2006	FLAT WASHER - 3/8	2
		153-2016	LOCK WASHER - 3/8	2
		153-2021A	LOCKNUT - 3/8-16 (STOVER)	2
		153-2025	HEX NUT - 3/8-16	2
		153-2072	HHCS - 3/8-16 X 3-1/2	2
		153-2073	HHCS - 3/8-16 X 4	2
		153-8028	RIGHT BRUSH PILLOWBLOCK ASSEMBLY	1
		153-8038	REAR HOPPER WHEEL WALL PILLOWBLOCK ASSEMBLY	1
		153-9010	SPROCKET - TRANSFER DRIVE (25B15) - 3/8" BORE	1
2	12	153-8006	SHORT SHAFT HOPPER WHEEL ASSEMBLY	1
			ATTACHING PARTS	
		153-2006	FLAT WASHER - 3/8	4
		153-2016	LOCK WASHER - 3/8	2
		153-2021A	LOCKNUT - 3/8-16 (STOVER)	2
		153-2025	HEX NUT - 3/8-16	2
		153-2072	HHCS - 3/8-16 X 3-1/2	2
		153-2073	HHCS - 3/8-16 X 4	2
		153-8027	LEFT BRUSH PILLOWBLOCK ASSEMBLY	1
		153-8038	REAR HOPPER WHEEL WALL PILLOWBLOCK ASSEMBLY	1
2	13	153-9044	HOPPER DRIVE CHAIN (40P65) SECONDARY	2
			ATTACHING PARTS	
		153-9047	40 MASTER LINK	1
2	14	153-6048A	MACHINE HANDLE TRIM (11")	2
2	15	153-6009	UHMW BUMPER WHEEL	2
			ATTACHING PARTS	
		153-2005	FLAT WASHER - 5/16	1
		153-2027A	JAM NUT - 5/16	1
		153-2064	HHCS - 5/16-18 X 2	1

DBA LaneWalker OPERATORS MANUAL
ATTACHING PARTS INDEX

FIGURE NUMBER	INDEX NUMBER	PART NUMBER	PART NAME & DESCRIPTION	QTY NEEDED
2	16	153-6025	BUMPER WHEEL MOUNTING BLOCK (LANEWALKER)	2
			ATTACHING PARTS	
		153-2005	FLAT WASHER - 5/16	2
		153-2015	LOCK WASHER - 5/16	2
		153-2061	HHCS - 5/16-18 X 1	2
2	17	153-8033	LANE DISTANCE COUNTER PILLOWBLOCK (LEFT)	1
			ATTACHING PARTS	
		153-2005	FLAT WASHER - 5/16	2
		153-2015	LOCK WASHER - 5/16	2
		153-2602	HHCS - 5/16-18 X 3/4	2
2	18	153-8032S	LANE DISTANCE PILLOWBLOCK ASSEMBLY (CENTER LDS)	1
			ATTACHING PARTS	
		153-2005	FLAT WASHER - 5/16	2
		153-2015	LOCK WASHER - 5/16	2
		153-2602	HHCS - 5/16-18 X 3/4	2
2	19	153-7002AA	LANE DISTANCE COUNTER WHEEL-TREADED (2 INCH)	2
			ATTACHING PARTS	
		153-2050	SET SCREW - 1/4-28 X 3/8	2
2	20		NOT USED	
2	21		NOT USED	
2	22	153-8017	BUFFER BRUSH ASSEMBLY (LW)	1
			ATTACHING PARTS	
		153-0040	1/4" SPACER (3/4" LONG - BUFFER BEARING)	2
		153-2016	LOCK WASHER - 3/8	4
		153-2106	SHCS - 3/8-16 X 1-1/2	2
		153-2107	SHCS - 3/8-16 X 2	2
		153-9016	3/4" FLANGED BEARING	2
2	23	153-8027	LEFT BRUSH PILLOWBLOCK ASSEMBLY	1
			ATTACHING PARTS	
		153-2006	FLAT WASHER - 3/8	4
		153-2016	LOCK WASHER - 3/8	2
		153-2025	HEX NUT - 3/8-16	2
		153-2073	HHCS - 3/8-16 X 4	2
2	24	153-8028	RIGHT BRUSH PILLOWBLOCK ASSEMBLY	1
			ATTACHING PARTS	
		153-2006	FLAT WASHER - 3/8	2
		153-2016	LOCK WASHER - 3/8	2
		153-2025	HEX NUT - 3/8-16	2
		153-2073	HHCS - 3/8-16 X 4	2

DBA LaneWalker OPERATORS MANUAL
ATTACHING PARTS INDEX

FIGURE NUMBER	INDEX NUMBER	PART NUMBER	PART NAME & DESCRIPTION	QTY NEEDED
2	25	153-6065A	LANE DISTANCE COUNTER SHAFT (REMOTE LDS)	1
2	26	153-8039	BUFFER BELT IDLER ASSEMBLY	1
			ATTACHING PARTS	
		153-2025	HEX NUT - 3/8-16	1
		153-2070	HHCS - 3/8-16 X 2-1/2	1
2	27	153-0106R	UHMW BUMPER PLASTIC - RIGHT SIDE (1/4")	1
			ATTACHING PARTS	
		153-2004	FLAT WASHER - 1/4	8
		153-2020A	LOCKNUT - 1/4-20 (STOVER)	8
		153-2053A	BHSS - 1/4-20 X 1	8
3	1	153-9015	T-BELT 322LO50 (BUFFER MOTOR)	1
3	2	153-8051	TRANSFER ROLLER ARM MOUNT ASSEMBLY (4-3/4")	2
			ATTACHING PARTS	
		153-2005	FLAT WASHER - 5/16	2
		153-2015	LOCK WASHER - 5/16	2
		153-2024	HEX NUT - 5/16-18	4
		153-2065B	ALL THREAD - 5/16-18 X 3 (TANK MOUNT)	2
		153-6067	TRANSFER ARM MOUNT SPACING SHIM (LW-1296 & UP)	1
3	3	153-8008	TRANSFER ROLLER ASSEMBLY (LW)	1
			ATTACHING PARTS	
		153-9008	SPROCKET TRANSFER ROLLER (SECONDARY DRIVE) 25B25	1
3	4	153-0044	SPRING ROD (LANEWALKER - 48")	1
			ATTACHING PARTS	
		153-2003	FLAT WASHER - #10	5
		153-2013	LOCK WASHER - #10	5
		153-2022	HEX NUT - 10-24	5
		153-2028	ACORN NUT - 10-24	5
		153-2031	PUSH NUT - 1/4" STUD	2
		153-2044	EYEBOLT - 10-24 X 2" OVERALL	5
		153-2095	SPRING - 0.438 OD X 2.75 (0.037 WIRE-WICK)	12
3	5	153-1052D	OIL REFILL TUBING (15-1/2")	1
3	6	153-1052A	OIL VENT TUBING (20")	1
3	7	153-1055	TUBE HOSE STEM (GRAY PLASTIC)	1
3	8	153-1054	OIL VENT HOSE PLUG (GRAY PLASTIC)	1
3	9	153-1030	CIRCUIT BREAKER (10 AMP)	1

DBA LaneWalker OPERATORS MANUAL
ATTACHING PARTS INDEX

FIGURE NUMBER	INDEX NUMBER	PART NUMBER	PART NAME & DESCRIPTION	QTY NEEDED
3	10	153-1009	TOGGLE SWITCH	1
3	11	153-1028	PANEL MOUNT FUSE HOLDER	2
3	12		NOT USED	
3	13	153-2232A	LID LATCH - FLUSH MOUNT DUAL BUTTON	1
3	14		NOT USED	
3	15		NOT USED	
3	16		NOT USED	
3	17	153-1002C	PRO01 KEYBOARD (CQM-1)	1
			ATTACHING PARTS	
		153-0025	KEYBOARD DECAL (LANEWALKER)	1
		153-6250D	KEYBOARD MOUNTING BRACKET (PRO01)	1
		154-0242B	VELCRO ON HANDHELD (3" - HOOK)	1
		154-0242C	VELCRO TO MOUNT HANDHELD (3" - LOOP)	1
3	18	153-0025	KEYBOARD DECAL (LANEWALKER)	1
3	19		NOT USED	
3	20	153-2046	SPRING CLIP (OIL VENT HOSE CLIP)	2
			ATTACHING PARTS	
		153-2002	FLAT WASHER - #8	1
		153-2019	LOCKNUT - 8-32 (NYLOK)	1
		153-2086	MS PHILLIPS - 8-32 X 5/8	1
3	21	153-8048	COMPLETE LID ASSEMBLY (57-7/8")	1
			ATTACHING PARTS	
		153-2002	FLAT WASHER - #8	4
		153-2019	LOCKNUT - 8-32 (NYLOK)	2
		153-2086	MS PHILLIPS - 8-32 X 5/8	2
3	22	153-0036	LID VIBRATION STRIP (SOLD BY INCH)	*
3	23	153-1053	TANK VENT FITTING (BRASS)	2
			NOTE: USE TEFLON TAPE WHEN REPLACING FITTINGS	
3	24	153-0046	SQUARE GROMMET (5")	1

DBA LaneWalker OPERATORS MANUAL
ATTACHING PARTS INDEX

FIGURE NUMBER	INDEX NUMBER	PART NUMBER	PART NAME & DESCRIPTION	QTY NEEDED
4	1	153-1027	SOLENOID (115 VOLT)	1
			ATTACHING PARTS	
		153-2002	FLAT WASHER - #8	8
		153-2019	LOCKNUT - 8-32 (NYLOK)	5
		153-2086	MS PHILLIPS - 8-32 X 5/8	4
		153-2089	MS PHILLIPS - 8-32 X 1	1
		153-2109	PLAIN PLASTIC SPACER - 3/8 OD X 5/8	1
		153-8010C	SOLENOID CABLE ASSEMBLY (6.312")	1
4	2	153-8051	TRANSFER ROLLER ARM MOUNT ASSEMBLY (4-3/4")	1
			ATTACHING PARTS	
		153-2005	FLAT WASHER - 5/16	2
		153-2015	LOCK WASHER - 5/16	2
		153-2024	HEX NUT - 5/16-18	4
		153-2065B	ALL THREAD - 5/16-18 X 3 (TANK MOUNT)	2
4	3	153-8019	OIL TANK ASSEMBLY	1
			ATTACHING PARTS	
		153-2005	FLAT WASHER - 5/16	8
		153-2015	LOCK WASHER - 5/16	4
		153-2024	HEX NUT - 5/16-18	8
		153-2065B	ALL THREAD - 5/16-18 X 3 (TANK MOUNT)	4
4	4	153-0011	TANK PIVOT POINT SHIM (1/8" ALUMINUM)	1
4	4	153-0074	TANK PIVOT POINT SHIM (0.090 ALUMINUM)	1
4	5	153-8017	BUFFER BRUSH ASSEMBLY (LW)	1
			ATTACHING PARTS	
		153-0040	1/4" SPACER (3/4" LONG - BUFFER BEARING)	2
		153-2016	LOCK WASHER - 3/8	4
		153-2106	SHCS - 3/8-16 X 1-1/2	2
		153-2107	SHCS - 3/8-16 X 2	2
		153-9016	3/4" FLANGED BEARING	2
4	6	153-7002AA	LANE DISTANCE COUNTER WHEEL-TREADED (2 INCH)	1
			ATTACHING PARTS	
		153-2050	SET SCREW - 1/4-28 X 3/8	2
4	7	153-6065A	LANE DISTANCE COUNTER SHAFT (REMOTE LDS)	1
4	8	153-2047	SQUARE HEAD SET SCREW - 3/8 X 2	1
4	9	153-2027	JAM NUT - 3/8	1

DBA LaneWalker OPERATORS MANUAL
ATTACHING PARTS INDEX

FIGURE NUMBER	INDEX NUMBER	PART NUMBER	PART NAME & DESCRIPTION	QTY NEEDED
4	10	153-6027	LANE DISTANCE ADJUSTMENT BLOCK	1
			ATTACHING PARTS	
		153-2005	FLAT WASHER - 5/16	2
		153-2015	LOCK WASHER - 5/16	2
		153-2061	HHCS - 5/16-18 X 1	2
4	11	153-0044	WICK SPRING ROD (LANEWALKER - 48")	1
			ATTACHING PARTS	
		153-2003	FLAT WASHER - #10	5
		153-2013	LOCK WASHER - #10	5
		153-2022	HEX NUT - 10-24	5
		153-2028	ACORN NUT - 10-24	5
		153-2031	PUSH NUT - 1/4" STUD	2
		153-2044	EYEBOLT - 10-24 X 2" OVERALL	5
		153-2095	SPRING - 0.438 OD X 2.75 (0.037 WIRE-WICK)	12
4	12	153-2095	SPRING - 0.438 OD X 2.75 (0.037 WIRE-WICK)	2
4	13	153-2043	EYEBOLT - 10-24 X 4" OVERALL	2
			ATTACHING PARTS	
		153-2003	FLAT WASHER - #10	2
		153-2013	LOCK WASHER - #10	2
		153-2022	HEX NUT - 10-24	2
4	14	153-2044	EYEBOLT - 10-24 X 2" OVERALL	1
			ATTACHING PARTS	
		153-2003	FLAT WASHER - #10	2
		153-2013	LOCK WASHER - #10	2
		153-2022	HEX NUT - 10-24	2
4	15	153-8010C	SOLENOID CABLE ASSEMBLY (6.312")	1
			ATTACHING PARTS	
		153-2003	FLAT WASHER - #10	2
		153-2013	LOCK WASHER - #10	2
		153-2019	LOCKNUT - 8-32 (NYLOK)	1
		153-2022	HEX NUT - 10-24	2
		153-2044	EYEBOLT - 10-24 X 2" OVERALL	1
		153-2089	MS PHILLIPS - 8-32 X 1	1
		153-2109	PLAIN PLASTIC SPACER - 3/8 OD X 5/8	1

DBA LaneWalker OPERATORS MANUAL
ATTACHING PARTS INDEX

FIGURE	INDEX	PART	PART NAME & DESCRIPTION	QTY
NUMBER	NUMBER	NUMBER		NEEDED
*NOTE: ANY SIX WICK PLATES CAN BE USED, BUT THEY MUST ADD UP TO 40 INCHES				
4	16	153-8103	3" COMPLETE WICK PLATE ASSEMBLY	*
4	17	153-8104	4" COMPLETE WICK PLATE ASSEMBLY	*
4	18	153-8105	5" COMPLETE WICK PLATE ASSEMBLY	*
4	19	153-8106	6" COMPLETE WICK PLATE ASSEMBLY	*
4	20	153-8107	7" COMPLETE WICK PLATE ASSEMBLY	*
4	21	153-8108	8" COMPLETE WICK PLATE ASSEMBLY	*
4	22	153-8109	9" COMPLETE WICK PLATE ASSEMBLY	*
4	23	153-8110	10" COMPLETE WICK PLATE ASSEMBLY	*
4	24	153-8111	11" COMPLETE WICK PLATE ASSEMBLY	*
4	25	153-8112	12" COMPLETE WICK PLATE ASSEMBLY	*
<i>THESE ATTACHING PARTS ARE INCLUDED WITH ALL WICKING PLATE ASSEMBLIES</i>				
		153-2003	FLAT WASHER - #10	6
		153-2013	LOCK WASHER - #10	6
		153-2022	HEX NUT - 10-24	6
		153-2043	EYEBOLT - 10-24 X 4" OVERALL	2
		153-2044	EYEBOLT - 10-24 X 2" OVERALL	1
5 A	1	153-1031A	PASS-THROUGH SENSOR	1
<i>ATTACHING PARTS</i>				
		153-2001	FLAT WASHER - #6	2
		153-2081	MS PHILLIPS - 6-32 X 1/2	2
		154-6270	SPACER FOR LDC SENSOR (3/16" ALUMINUM)	1
5 A	2	153-1031B	SENSOR PLUG & CABLE	1
5 A	3	153-1049D	WIRE HARNESS CLAMP - 1/8	1
<i>ATTACHING PARTS</i>				
		153-2113	MS PHILLIPS - 8-32 X 3/8 (SELF TAP)	1
5 A	4	153-2530	STANDOFF FASTENER - 8-32 X 1 (MALE/FEMALE)	2
5 A	5	154-6262	TIMING DISK - LANE DISTANCE AND TACH SENSOR	1
<i>ATTACHING PARTS</i>				
		153-2504	MS PHILLIPS - 4-40 X 3/8	3
5 A	6	154-6265	MOUNTING HUB FOR TIMING DISK (REMOTE SENSOR)	1
<i>ATTACHING PARTS</i>				
		153-2051A	SET SCREW - 1/4-20 X 1/4	1
5 A	7	153-8032S	LANE DISTANCE PILLOWBLOCK (CENTER-LDS)	1
<i>ATTACHING PARTS</i>				
		153-2005	FLAT WASHER - 5/16	2
		153-2015	LOCK WASHER - 5/16	2
		153-2602	HHCS - 5/16-18 X 3/4	2

DBA LaneWalker OPERATORS MANUAL
ATTACHING PARTS INDEX

FIGURE NUMBER	INDEX NUMBER	PART NUMBER	PART NAME & DESCRIPTION	QTY NEEDED
5 A	8	154-6266	GUARD FOR TIMING DISK (LDS & TACH) ALUMINUM	1
			ATTACHING PARTS	
		153-2086A	MS PHILLIPS - 8-32 X 3/8	2
5 A	9	154-6267	LDS CHAIN GUARD - ALUMINUM	1
			ATTACHING PARTS	
		153-2086A	MS PHILLIPS - 8-32 X 3/8	3
5 A	10	154-6270	SPACER FOR LDC SENSOR (3/16" ALUMINUM)	1
			ATTACHING PARTS	
		153-2001	FLAT WASHER - #6	2
		153-2081	MS PHILLIPS - 6-32 X 1/2	2
5 A	11	154-9211	LDS AND TACH SENSOR DRIVE CHAIN (25P29)	1
			ATTACHING PARTS	
		153-9045	25 MASTER LINK	1
5 A	12	154-9213	SPROCKET - 25B15 (TACH AND LDS DRIVE 1/2" BORE)	1
			ATTACHING PARTS	
		153-2051A	SET SCREW - 1/4-20 X 1/4	1
5 A	13	153-9010	SPROCKET - 25B15 (3/8" BORE)	1
			ATTACHING PARTS	
		153-2051A	SET SCREW - 1/4-20 X 1/4	1
5 A	14	154-6264	SHAFT FOR TIMING DISK (REMOTE SENSOR)	1
			ATTACHING PARTS	
		153-2009	NYLON WASHER (3/8 - 0.060) LEFT SIDE OF BLOCK	1
		153-2531	NYLON WASHER - 3/8 (0.030) RIGHT SIDE OF BLOCK	1
5 A	15	153-6065A	LANE DISTANCE COUNTER SHAFT (REMOTE LDS)	1
6	1	153-1031B	SENSOR PLUG & CABLE	1
6	2	153-1049D	WIRE HARNESS CLAMP - 1/8	1
			ATTACHING PARTS	
		153-2113	MS PHILLIPS - 8-32 X 3/8 (SELF TAP)	1

DBA LaneWalker OPERATORS MANUAL
ATTACHING PARTS INDEX

FIGURE NUMBER	INDEX NUMBER	PART NUMBER	PART NAME & DESCRIPTION	QTY NEEDED
6	3	153-1031A	PASS-THROUGH SENSOR	1
			<i>NOTE: TWO WASHERS GO BETWEEN SENSOR AND BLOCK ON EACH SIDE</i>	
			<i>ATTACHING PARTS</i>	
		153-2001	FLAT WASHER - #6	6
		153-2081	MS PHILLIPS - 6-32 X 1/2	2
6	4	153-8044	FIELD REPLACEMENT COLLAR ASSEMBLY	1
6	5	153-8050	WHEEL POSITION SENSOR GUARD ASSEMBLY	1
			<i>ATTACHING PARTS</i>	
		153-2006	FLAT WASHER - 3/8	4
		153-2016	LOCK WASHER - 3/8	2
		153-2025	HEX NUT - 3/8-16	2
		153-2077	FHMS - 3/8-16 X 3-1/2	2
7	1	153-9107	SPROCKET (25-TOOTH LANE TO LANE SENSOR)	1
			<i>ATTACHING PARTS</i>	
		153-2051	SET SCREW - 1/4-20 X 1/2 (INCLUDED WITH SPROCKET)	1
7	2	153-8310	LANE EDGE GUIDE ROLLER ASSEMBLY (3/8" BORE)	1
			<i>ATTACHING PARTS ON SPRING-LOADED SIDE</i>	
		153-0226	SPRING - 0.42 OD X 1.0 (GUIDE ROLLER)	1
		153-2004	FLAT WASHER - 1/4	4
		153-2014	LOCK WASHER - 1/4	1
		153-2023	HEX NUT - 1/4-20	2
		153-2211	SHCS - 1/4-20 X 2-3/4 (SPRING-LOADED GUIDE ROLLER)	1
7	3	153-0226	SPRING - 0.42 OD X 1.0 (GUIDE ROLLER)	1
7	4	153-6032	LANE EDGE GUIDE ROLLER MOUNTING ANGLE	1
			<i>ATTACHING PARTS</i>	
		153-2004	FLAT WASHER - 1/4	2
		153-2014	LOCK WASHER - 1/4	2
		153-2023	HEX NUT - 1/4-20	2
		153-8218	1.25" STUD PLATE ASSEMBLY	1
7	5	153-1031A	PASS-THROUGH SENSOR	1
			<i>NOTE: TWO WASHERS GO BETWEEN SENSOR AND BLOCK ON EACH SIDE</i>	
			<i>ATTACHING PARTS</i>	
		153-2001	FLAT WASHER - #6	6
		153-2081	MS PHILLIPS - 6-32 X 1/2	2
7	6	153-2040	SPOOL GROMMET - 1/2	1
7	7	153-1031B	SENSOR PLUG & CABLE	1

DBA LaneWalker OPERATORS MANUAL
ATTACHING PARTS INDEX

FIGURE NUMBER	INDEX NUMBER	PART NUMBER	PART NAME & DESCRIPTION	QTY NEEDED
7	8	153-1049D	WIRE HARNESS CLAMP - 1/8	1
			ATTACHING PARTS	
		153-2113	MS PHILLIPS - 8-32 X 3/8 (SELF TAP)	1
7	9	153-6060	APPROACH-SENSOR ADJUSTMENT BAR	1
			ATTACHING PARTS	
		153-2001	FLAT WASHER - #6	2
		153-2081	MS PHILLIPS - 6-32 X 1/2	2
7	10	153-8046	LANE TO LANE SENSOR PILLOWBLOCK ASSEMBLY	1
			ATTACHING PARTS	
		153-2006	FLAT WASHER - 3/8	4
		153-2016	LOCK WASHER - 3/8	2
		153-2025	HEX NUT - 3/8-16	2
		153-2073	HHCS - 3/8-16 X 4	2
7	11	153-8009	LANE TO LANE MEASURING WHEEL ASSEMBLY	1
			ATTACHING PARTS	
		153-2006	FLAT WASHER - 3/8	6
		153-2011	NYLON FLAT WASHER (5/8 - 0.060)	2
		153-2016	LOCK WASHER - 3/8	4
		153-2025	HEX NUT - 3/8-16	4
		153-2073	HHCS - 3/8-16 X 4	4
		153-8028	RIGHT BRUSH PILLOWBLOCK ASSEMBLY	1
		153-8046	LANE TO LANE SENSOR PILLOWBLOCK ASSEMBLY	1
		153-9107	SPROCKET (25-TOOTH LANE TO LANE SENSOR)	1
7	12	153-8028	RIGHT BRUSH PILLOWBLOCK ASSEMBLY	1
			ATTACHING PARTS	
		153-2006	FLAT WASHER - 3/8	2
		153-2016	LOCK WASHER - 3/8	2
		153-2025	HEX NUT - 3/8-16	2
		153-2073	HHCS - 3/8-16 X 4	2
8	1	153-8051	TRANSFER ROLLER ARM MOUNT ASSEMBLY (4-3/4")	1
			ATTACHING PARTS	
		153-2005	FLAT WASHER - 5/16	2
		153-2015	LOCK WASHER - 5/16	2
		153-2024	HEX NUT - 5/16-18	4
		153-2065B	ALL THREAD - 5/16-18 X 3 (TANK MOUNT)	2
		153-6067	TRANSFER ARM MOUNT SPACING SHIM (LW-1296 & UP)	1
8	2	153-9008	SPROCKET - TRANSFER ROLLER 25B25	1
			ATTACHING PARTS	
		153-2051A	SET SCREW -1/4-20 X 1/4 (INCLUDED)	1

DBA LaneWalker OPERATORS MANUAL
ATTACHING PARTS INDEX

FIGURE NUMBER	INDEX NUMBER	PART NUMBER	PART NAME & DESCRIPTION	QTY NEEDED
8	3	153-9042A	TRANSFER ROLLER SECONDARY CHAIN (25P35)	1
			ATTACHING PARTS	
		153-9045	25 MASTER LINK	1
8	4	153-8040	TRANSFER IDLER SPROCKET ASSEMBLY	1
			ATTACHING PARTS	
		153-2004	FLAT WASHER - 1/4	3
		153-2014	LOCK WASHER - 1/4	1
		153-2023	HEX NUT - 1/4-20	2
		153-2058	HHCS - 1/4-20 X 2-1/4	1
8	5	153-6411	TRANSFER CHAIN IDLER SPROCKET ANGLE (1 x 2)	1
			NOTE: MACHINES WITH SERIAL NUMBER LW-1445 AND BELOW USE 153-6034	
			ATTACHING PARTS	
		153-2004	FLAT WASHER - 1/4	4
		153-2014	LOCK WASHER - 1/4	2
		153-2023	HEX NUT - 1/4-20	2
		153-2053	HHCS - 1/4-20 X 1	2
8	6	153-6026A	TRANSFER CHAIN ADJUSTING ANGLE	1
			NOTE: MACHINES WITH SERIAL NUMBER LW-1445 AND BELOW USE 153-6026	
			ATTACHING PARTS	
		153-2006	FLAT WASHER - 3/8	2
		153-2016	LOCK WASHER - 3/8	2
		153-2025	HEX NUT - 3/8-16	2
		153-2073	HHCS - 3/8-16 X 4	2
8	7	153-9042	TRANSFER ROLLER PRIMARY CHAIN (25P49)	1
			ATTACHING PARTS	
		153-9045	25 MASTER LINK	1
8	8	153-8028	RIGHT BRUSH PILLOWBLOCK ASSEMBLY	1
			ATTACHING PARTS	
		153-2006	FLAT WASHER - 3/8	2
		153-2016	LOCK WASHER - 3/8	2
		153-2025	HEX NUT - 3/8-16	2
		153-2073	HHCS - 3/8-16 X 4	2
8	9	153-9016	3/4" FLANGED BEARING	1
			ATTACHING PARTS FOR RIGHT SIDE	
		153-0040	1/4" SPACER (3/4" LONG - BUFFER BEARING)	2
		153-2016	LOCK WASHER - 3/8	2
		153-2107	SHCS - 3/8-16 X 2	2
8	10	153-9010	SPROCKET - TRANSFER DRIVE 25B15 (3/8" BORE)	1
			ATTACHING PARTS	
		153-2051A	SET SCREW -1/4-20 X 1/4 (INCLUDED)	1

DBA LaneWalker OPERATORS MANUAL
ATTACHING PARTS INDEX

FIGURE NUMBER	INDEX NUMBER	PART NUMBER	PART NAME & DESCRIPTION	QTY NEEDED
8	11	153-8017	BUFFER BRUSH ASSEMBLY (LW)	1
			<i>ATTACHING PARTS</i>	
		153-0040	1/4" SPACER (3/4" LONG - BUFFER BEARING)	2
		153-2016	LOCK WASHER - 3/8	4
		153-2106	SHCS - 3/8-16 X 1-1/2	2
		153-2107	SHCS - 3/8-16 X 2	2
		153-9016	3/4" FLANGED BEARING	2
8	12	153-8008	TRANSFER ROLLER ASSEMBLY (LW)	1
			<i>ATTACHING PARTS</i>	
		153-9008	SPROCKET - TRANSFER ROLLER (SECONDARY DRIVE) 25B25	1
10	1	153-1018	LY3 RELAY (115 VOLT)	2
			<i>ATTACHING PARTS</i>	
		153-1020	RELAY CLAMP	2
10	2	153-1020	RELAY CLAMP	6
10	3	153-1016	LY2 RELAY (115 VOLT)	1
			<i>ATTACHING PARTS</i>	
		153-1020	RELAY CLAMP	2
10	4	153-6061	SPEED CONTROL POTENTIOMETER LOCKING BAR	1
			<i>ATTACHING PARTS</i>	
		153-2049	SET SCREW - 8-32 X 3/16	2
10	5	153-2049	SET SCREW - 8-32 X 3/16	2
11	1	153-6068	ADJUSTMENT BAR FOR ON-LANE SWITCH	1
			<i>ATTACHING PARTS</i>	
		153-2002	FLAT WASHER - #8	2
		153-2013	LOCK WASHER - #10	2
		153-2087	MS PHILLIPS - 8-32 X 3/4	2
11	2	153-1202	MICROSWITCH - WITHOUT ROLLER (DMR & O L S)	1
			<i>ATTACHING PARTS</i>	
		153-2216A	MS PHILLIPS - 4-40 X 7/8	2
11	3	153-2038	ROLL PIN - 1/8 X 1	1
11	4	153-2010A	NYLON FLAT WASHER (1/2 - 0.060)	1
11	5	153-8062	COLLAR ASSEMBLY FOR ON-LANE SWITCH	1
11	6	153-2115	SPRING - 0.66 OD X 0.625 (ON-LANE SWITCH)	1
11	7	153-7401	UHMW KICK-UP WHEEL	1

DBA LaneWalker OPERATORS MANUAL
ATTACHING PARTS INDEX

FIGURE NUMBER	INDEX NUMBER	PART NUMBER	PART NAME & DESCRIPTION	QTY NEEDED
11	8	153-2413	SNAP RING - 1/2	1
11	9	153-6065A	LANE DISTANCE COUNTER SHAFT (REMOTE LDS)	1
11	10	153-2038A	ROLL PIN - 1/8 X 1-1/4	2
11	11	153-8031S	LANE DISTANCE PILLOWBLOCK ASSEMBLY (OLS)	1
		ATTACHING PARTS		
		153-2005	FLAT WASHER - 5/16	2
		153-2015	LOCK WASHER - 5/16	2
		153-2602	HHCS - 5/16-18 X 3/4	2
12	1	154-8004	CONE-BRAKE MOTOR & BUTTON ASSEMBLY (7 RPM-115 VOLT)	2
		ATTACHING PARTS		
		153-2003	FLAT WASHER - #10	4
		153-2013	LOCK WASHER - #10	4
		153-2091	MS PHILLIPS - 10-32 X 3/4	4
12	2	153-8248R	PIVOT ARM ASSEMBLY (LIFTING DUSTER-DOGLEG)	2
		ATTACHING PARTS		
		153-2005	FLAT WASHER - 5/16 (NOTE: PLACE BETWEEN ARM & SIDE PLATE)	1
		153-2020A	LOCKNUT - 1/4-20 (STOVER)	1
		153-2090	MS PHILLIPS - 8-32 X 1-1/2	1
		153-2408	SHOULDER BOLT - 5/16 X 1/2 (1/4-20) CUSHION PIVOT	1
		153-2414	HEX NUT - 8-32	1
12	3	153-1202	MICROSWITCH - WITHOUT ROLLER (DMR & OLS)	4
		ATTACHING PARTS		
		153-2001	FLAT WASHER - #6	2
		153-2216A	MS PHILLIPS - 4-40 X 7/8	2
		153-2231	LOCKNUT 4-40 (NYLOK)	2
12	4	153-6272	CUSHION ROLLER SHAFT - LIFTING LINODUSTER	1
		ATTACHING PARTS		
		153-2038	ROLL PIN - 1/8 X 1	4

DBA LaneWalker OPERATORS MANUAL
ATTACHING PARTS INDEX

FIGURE NUMBER	INDEX NUMBER	PART NUMBER	PART NAME & DESCRIPTION	QTY NEEDED
12	5		NOT USED	
12	6	153-8238B	CUSHION ROLLER ASSEMBLY (STEEL CORE = 44") <i>FOR ATTACHING PARTS SEE FIGURE 1:19</i>	1
12	7	153-6825A	LINODUSTER CLOTH ROUTING BAR (STEEL) <i>ATTACHING PARTS</i>	1
		153-2409	SHOULDER BOLT - 1/4 X 3/8 (10-24) LINODUSTER ROD	2
		153-9409	FLANGED BUSHING (1/4 X 3/8 X 1/4)	2
12	8	153-6850	UHMW LINODUSTER PLUG FOR CARDBOARD CORE <i>ATTACHING PARTS</i>	2
		153-2020A	LOCKNUT - 1/4-20 (STOVER)	1
		153-2807	SHOULDER BOLT - 5/16 X 2 (1/4-20) LINODUSTER PLUG	1
		153-2808	SPRING - 0.42 OD X 1.25 (LINODUSTER)	1
12	9	153-2412	SHCS - 1/4-20 x 1/2 <i>ATTACHING PARTS</i>	4
		153-2020A	LOCKNUT - 1/4-20 (STOVER)	1

DBA LaneWalker OPERATORS MANUAL
COMPLETE PARTS LIST

PART #	PART DESCRIPTION	UOM
153-000K	SPARE PARTS KIT FOR LANEWALKER	EA
153-0001	TRANSPORT CASTER (3" DUAL WHEEL)	EA
153-0002	LANE TO LANE CASTER (2" SINGLE WHEEL)	EA
153-0005	WICK (45-INCH PIECE)	EA
153-0006A	UNIVERSAL UHMW BUMPER 3/16" (LW-NARROW LANES)	EA
153-0006L	UHMW BUMPER - LANEWALKER LEFT SIDE (3/8")	EA
153-0006R	UHMW BUMPER - LANEWALKER RIGHT SIDE (3/8")	EA
153-0007	UHMW SOLENOID CABLE GUIDE (LANEWALKER)	EA
153-0010	CONTINUOUS LID HINGE (LANEWALKER = 57-7/8")	EA
153-0011	TANK PIVOT POINT SHIM (1/8" ALUMINUM)	EA
153-0013	SHIPPING BOX (60 x 38 x 14.5)	EA
153-0013A	SHIPPING SKID (40 x 64)	EA
153-0020	LARGE PROCESSOR PLATE (LANEWALKER)	EA
153-0024	DECAL (LANEWALKER)	EA
153-0025	KEYBOARD DECAL (LANEWALKER)	EA
153-0033A	LID HINGE BRACKET MOUNT	EA
153-0036	LID VIBRATION STRIP (SOLD BY INCH)	IN
153-0037	DECAL (MADE IN USA)	EA
153-0037B	DECAL (1994 TEAM USA)	EA
153-0039	1/8" SPACER (1/4" LONG - CHAIN TENSIONER)	EA
153-0040	1/4" SPACER (3/4" LONG - BUFFER BEARING)	EA
153-0040A	1/4" SPACER (5/8" LONG - BUFFER BELT IDLER)	EA
153-0042	SERIAL NUMBER & ID PLATE (LANEWALKER)	EA
153-0043	THICK FELT WASHER	EA
153-0044	WICK SPRING ROD (LANEWALKER - 48")	EA
153-0046	SQUARE GROMMET (5")	EA
153-0052	OIL FUNNEL	EA
153-0066	FLOOR PLATE - LANEWALKER	EA
153-0067	LEFT SIDE PLATE - LANEWALKER	EA
153-0068	RIGHT SIDE PLATE - LANEWALKER	EA
153-0069	CENTER WALL - LANEWALKER	EA
153-0070	FRONT WALL - LANEWALKER	EA
153-0071	REAR WALL - LANEWALKER	EA
153-0074	TANK PIVOT POINT SHIM (0.090 ALUMINUM)	EA
153-0106L	UHMW BUMPER PLASTIC - LW LEFT SIDE (1/4")	EA
153-0106R	UHMW BUMPER PLASTIC - LW RIGHT SIDE (1/4")	EA
153-0226	SPRING - 0.42 OD X 1.0 (GUIDE ROLLER)	EA
153-0254	LANE EDGE GUIDE ROLLER RULER	EA
153-0256C	LINODUSTER CLOTH ROUTING STICKER (LIFTING DUSTER)	EA
153-0429	DMR LINODUSTER ROLL SUPPORT PIPE (40")	EA
153-1001	C28H MICROPROCESSOR (PC)	EA
153-1001A	C28H TERMINAL STRIP	EA
153-1001C	PC REPLACEMENT BATTERY (C200H-BAT09)	EA
153-1002C	PRO01 KEYBOARD (CQM-1)	EA
153-1003	POWER SUPPLY - 24VDC (115V AC)	EA
153-1004	BUFFER MOTOR CONTACTOR (115 VOLT)	EA
153-1008	MICROSWITCH (EMERGENCY SHUT-OFF)	EA
153-1009	TOGGLE SWITCH	EA
153-1011	BRAKE RESISTOR FOR DRIVE MOTOR	EA
153-1015	HORSEPOWER RESISTOR (1/4 HP 0.5 OHM)	EA

DBA LaneWalker OPERATORS MANUAL
COMPLETE PARTS LIST

PART #	PART DESCRIPTION	UOM
153-1016	LY2 RELAY (115 VOLT)	EA
153-1017	LY2 RELAY BASE	EA
153-1018	LY3 RELAY (115 VOLT)	EA
153-1019	LY3 RELAY BASE	EA
153-1020	RELAY CLAMP (NOTE: THIS IS NOT A SET--PURCHASE AS EACH)	EA
153-1024	FEMALE TWISTLOCK - 125V/15A	EA
153-1025	MALE PLUG - 125V/15A	EA
153-1026	FLANGED TWISTLOCK INLET - 125V/15A	EA
153-1027	SOLENOID (115 VOLT)	EA
153-1028	PANEL MOUNT FUSE HOLDER	EA
153-1030	CIRCUIT BREAKER (10 AMP)	EA
153-1031A	PASS-THROUGH SENSOR	EA
153-1031B	SENSOR PLUG & CABLE	EA
153-1032	PC OUTPUT RELAY	EA
153-1034	FEMALE QUICK DISCONNECT-3/16 (18 AWG)	EA
153-1034A	FEMALE QUICK DISCONNECT-3/16 (14 AWG)	EA
153-1035	FEMALE QUICK DISCONNECT-1/4 (18 AWG)	EA
153-1036	RING TERMINAL - 16-14 AWG (#6 STUD)	EA
153-1036A	RING TERMINAL - 22-18 AWG (#6 STUD)	EA
153-1036B	RING TERMINAL - 16-14 AWG (#8 STUD)	EA
153-1037	WIRE JOINT - 18 AWG (LARGE)	EA
153-1038	WIRE JOINT (SMALL)	EA
153-1039A	PIN & SOCKET CONNECTOR 9 CIRCUIT FREE RECEPTACLE	EA
153-1040A	PIN & SOCKET CONNECTOR 9 CIRCUIT PANEL PLUG (MALE PINS)	EA
153-1041	PIN & SOCKET CONNECTOR 2 CIRCUIT FREE RECEPTACLE	EA
153-1042	PIN & SOCKET CONNECTOR 2 CIRCUIT PANEL PLUG (MALE PINS)	EA
153-1043	PIN & SOCKET CONNECTOR 3 CIRCUIT PANEL PLUG (MALE PINS)	EA
153-1044	PIN & SOCKET CONNECTOR 3 CIRCUIT FREE RECEPTACLE	EA
153-1045	PIN FOR FEMALE SOCKET	EA
153-1046	PIN FOR MALE SOCKET	EA
153-1047	WIRE TIE (4")	EA
153-1049A	WIRE HARNESS CLAMP - 1/4	EA
153-1049B	WIRE HARNESS CLAMP - 1/2	EA
153-1049D	WIRE HARNESS CLAMP - 1/8	EA
153-1052A	OIL REFILL TUBING (VENT = 20")	EA
153-1052D	OIL REFILL TUBING (15-1/2")	EA
153-1053	TANK VENT FITTING (BRASS)	EA
153-1054	OIL VENT HOSE PLUG (GRAY PLASTIC)	EA
153-1055	TUBE HOSE STEM (GRAY PLASTIC)	EA
153-1056	LANE TO LANE MOTOR CAPACITOR	EA
153-1057H	DAYTON DC MOTOR BRUSHES (SOLD AS A PAIR)	P R
153-1060	LANE TO LANE MOTOR MOUNT	EA
153-1202	MICROSWITCH - WITHOUT ROLLER (DMR LINODUSTER & O L S)	EA
153-1206	RIGHT ANGLE FEMALE QUICK DISCONNECT-1/4 (16-12 AWG)	EA
153-1209	BUTTON GUARD	EA
153-1408	PUSH BUTTON (RED = NORMALLY OPEN)	EA
153-1818	WIRE TIE - 34" (C200H PC)	EA
153-2001	FLAT WASHER - #6	EA
153-2002	FLAT WASHER - #8	EA
153-2003	FLAT WASHER - 3/16 (#10)	EA

DBA LaneWalker OPERATORS MANUAL
COMPLETE PARTS LIST

PART #	PART DESCRIPTION	UOM
153-2004	FLAT WASHER - 1/4	EA
153-2005	FLAT WASHER - 5/16	EA
153-2006	FLAT WASHER - 3/8	EA
153-2007	FLAT WASHER - 1/2	EA
153-2010	NYLON FLAT WASHER (1/2 - 0.030)	EA
153-2010A	NYLON FLAT WASHER (1/2 - 0.060)	EA
153-2011	NYLON FLAT WASHER (5/8 - 0.060)	EA
153-2013	LOCK WASHER - 3/16	EA
153-2014	LOCK WASHER - 1/4	EA
153-2015	LOCK WASHER - 5/16	EA
153-2016	LOCK WASHER - 3/8	EA
153-2017	LOCK WASHER - 1/2	EA
153-2018	LOCKNUT - 6-32 (NYLOK)	EA
153-2019	LOCKNUT - 8-32 (NYLOK)	EA
153-2020	LOCKNUT - 1/4-20 (NYLOK)	EA
153-2020A	LOCKNUT - 1/4-20 (STOVER)	EA
153-2021A	LOCKNUT - 3/8-16 (STOVER)	EA
153-2022	HEX NUT - 3/16 (10-24)	EA
153-2023	HEX NUT - 1/4-20	EA
153-2024	HEX NUT - 5/16-18	EA
153-2025	HEX NUT - 3/8-16	EA
153-2026	HEX NUT - 1/2-13	EA
153-2027	JAM NUT - 3/8-16	EA
153-2027A	JAM NUT - 5/16-18	EA
153-2028	ACORN NUT - 10-24	EA
153-2029	ACORN NUT - 1/4-20	EA
153-2031	PUSH NUT - 1/4" STUD	EA
153-2032A	TANK PLUG - HEX SOCKET (1/4" PIPE THREAD)	EA
153-2033	ALUMINUM RIVET (0.187 X 0.700 X 0.375)	EA
153-2034	ALUMINUM RIVET (0.187 X 0.450 X 0.375)	EA
153-2035	BLIND RIVET WASHER	EA
153-2036	SNAP RING - 5/8	EA
153-2037	ROLL PIN - 1/8 X 1-3/4	EA
153-2038	ROLL PIN - 1/8 X 1	EA
153-2038A	ROLL PIN - 1/8 X 1-1/4	EA
153-2040	SPOOL GROMMET - 1/2	EA
153-2043	EYEBOLT - 10-24 X 4" OVERALL	EA
153-2044	EYEBOLT - 10-24 X 2" OVERALL	EA
153-2045	STEEL COLLAR - 5/8 X 1-1/8 X 1/2	EA
153-2046	SPRING CLIP (OIL HOSE CLIP)	EA
153-2047	SQUARE HEAD SET SCREW - 3/8 X 2	EA
153-2048	HAIRPIN COTTER	EA
153-2049	SET SCREW - 8-32 X 3/16	EA
153-2050	SET SCREW - 1/4-28 X 3/8	EA
153-2051	SET SCREW - 1/4-20 X 1/2	EA
153-2051A	SET SCREW - 1/4-20 X 1/4	EA
153-2052	HHCS - 1/4-20 X 7/8	EA
153-2053	HHCS - 1/4-20 X 1	EA
153-2053A	BHSS - 1/4-20 X 1	EA
153-2054	HHCS - 1/4-20 X 1-1/4	EA

DBA LaneWalker OPERATORS MANUAL
COMPLETE PARTS LIST

PART #	PART DESCRIPTION	UOM
153-2056	HHCS - 1/4-20 X 1-3/4 (GRADE 8)	EA
153-2057	HHCS - 1/4-20 X 2	EA
153-2058	HHCS - 1/4-20 X 2-1/4	EA
153-2060	HHCS - 1/4-28 X 3/4 (DRIVE MOTOR MOUNT)	EA
153-2061	HHCS - 5/16-18 X 1	EA
153-2061A	BHSS - 5/16-18 X 1	EA
153-2063	HHCS - 5/16-24 X 1-1/2	EA
153-2064	HHCS - 5/16-18 X 2	EA
153-2064C	HHCS - 5/16-18 X 3-1/2 (FOR AMF BUMPER WHEEL UPGRADE)	EA
153-2065B	ALL THREAD - 5/16-18 X 3 (TANK MOUNT)	EA
153-2067	HHCS - 3/8-16 X 1-1/4	EA
153-2068	HHCS - 3/8-16 X 1-1/2	EA
153-2070	HHCS - 3/8-16 X 2-1/2	EA
153-2072	HHCS - 3/8-16 X 3-1/2	EA
153-2073	HHCS - 3/8-16 X 4	EA
153-2073A	HHCS - 1/2-13 X 1-1/2	EA
153-2075	CARRIAGE BOLT - 1/4-20 X 2-1/2	EA
153-2076	CARRIAGE BOLT - 1/4-20 X 2	EA
153-2077	FHMS - 3/8-16 X 3-1/2	EA
153-2078	FHMS - 1/4-20 X 3/4	EA
153-2079	FHMS - 1/4-20 X 1	EA
153-2081	MS PHILLIPS - 6-32 X 1/2	EA
153-2084	MS PHILLIPS - 6-32 X 1	EA
153-2086	MS PHILLIPS - 8-32 X 5/8	EA
153-2086A	MS PHILLIPS - 8-32 X 3/8	EA
153-2087	MS PHILLIPS - 8-32 X 3/4	EA
153-2088	MS PHILLIPS - 8-32 X 3/4 (SELF)	EA
153-2089	MS PHILLIPS - 8-32 X 1	EA
153-2090	MS PHILLIPS - 8-32 X 1-1/2	EA
153-2091	MS PHILLIPS - 10-32 X 3/4	EA
153-2093	SPRING - 0.42 OD X 0.75 (PROCESSOR)	EA
153-2094	SPRING - 0.85 OD X 6.0 (CORD)	EA
153-2095	SPRING - 0.438 OD X 2.75 (0.037 WIRE-WICK)	EA
153-2099	KEYSTOCK - 3/16 X 1/2	EA
153-2100	KEYSTOCK - 3/16 X 3/4	EA
153-2102	KEYSTOCK - 3/16 X 1-1/4	EA
153-2103	KEYSTOCK - 3/16 X 2-1/4	EA
153-2106	SHCS - 3/8-16 X 1-1/2	EA
153-2107	SHCS - 3/8-16 X 2	EA
153-2108	DOME RIVET - 1/8 FOR NAMEPLATE	EA
153-2109	PLAIN PLASTIC SPACER (FOR SOLENOID CABLE)	EA
153-2113	MS PHILLIPS - 8-32 X 3/8 (SELF TAP)	EA
153-2114	THIN FELT WASHER	EA
153-2115	SPRING - 0.66 OD X 0.625 (ON-LANE SWITCH)	EA
153-2201	SET SCREW - 10-32 X 3/8	EA
153-2206	HHCS - 1/4-20 X 4-1/2 (FULL THREAD)	EA
153-2210	SHCS - 1/4-20 X 2 (LANE EDGE GUIDE ROLLER)	EA
153-2211	SHCS - 1/4-20 X 2-3/4 (SPRING-LOADED GUIDE ROLLER)	EA
153-2216	MS PHILLIPS - 4-40 X 5/8	EA
153-2216A	MS PHILLIPS - 4-40 X 7/8	EA

DBA LaneWalker OPERATORS MANUAL
COMPLETE PARTS LIST

PART #	PART DESCRIPTION	UOM
153-2224	WELDED 1/4-20 NUT PLATE (CHAIN TENSIONER)	EA
153-2231	LOCKNUT - 4-40	EA
153-2232A	LID LATCH - FLUSH MOUNT DUAL BUTTON (LW-1398 & UP)	EA
153-2232L	LID LATCH - FLUSH MOUNT WITH LOCK	EA
153-2402	SPOOL GROMMET - 3/8	EA
153-2405A	3/8-16 X 2-5/8" STEEL STUD	EA
153-2408	SHOULDER BOLT - 5/16 X 1/2 (1/4-20) CUSHION PIVOT	EA
153-2409	SHOULDER BOLT - 1/4 X 3/8 (10-24) LINODUSTER ROD	EA
153-2412	SHCS - 1/4-20 X 1/2 (CUSHION ROLLER STOP)	EA
153-2413	SNAP RING - 1/2	EA
153-2414	HEX NUT - 8-32	EA
153-2504	MS PHILLIPS - 4-40 X 3/8	EA
153-2522	MS PHILLIPS - 4-40 X 1/2	EA
153-2530	STANDOFF FASTENER - 8-32 X 1 (MALE/FEMALE) STEEL	EA
153-2531	NYLON WASHER - 3/8 (0.030)	EA
153-2533	INTERNAL TOOTH LOCK WASHER - #8	EA
153-2537	MS PHILLIPS - 8-32 X 1/2 (SELF-TAP)	EA
153-2602	HHCS - 5/16-18 X 3/4	EA
153-2807	SHOULDER BOLT - 5/16 X 2 (1/4-20) LINODUSTER PLUG	EA
153-2808	SPRING - 0.42 OD X 1.25 (LINODUSTER PLUG)	EA
153-2819	SET SCREW - 5/16-24 X 3/8	EA
153-6002	LANEWALKER REAR HOPPER DRIVE SHAFT	EA
153-6003	LANE TO LANE DRIVE SHAFT	EA
153-6004	LANE TO LANE MEASURING SHAFT	EA
153-6006	MOMENTARY LANE ROLLER SHAFT	EA
153-6007	HOPPER DRIVE SHAFT & TRANSFER DRIVE (LANEWALKER)	EA
153-6009	UHMW BUMPER WHEEL (LANEWALKER)	EA
153-6011	DRIVE MOTOR BEARING BRACKET	EA
153-6024	WHEEL INDEXING HUB	EA
153-6025	BUMPER WHEEL MOUNTING BLOCK (LANEWALKER)	EA
153-6026A	TRANSFER CHAIN ADJUSTING ANGLE	EA
153-6027	LANE DISTANCE ADJUSTMENT BLOCK	EA
153-6028	CORD HANGER PIVOT MOUNT	EA
153-6029	MOMENTARY WHEEL HOUSING	EA
153-6032	LANE EDGE GUIDE ROLLER MOUNTING ANGLE	EA
153-6037	CORD HANGER EXTENSION ARM	EA
153-6041	MOUNTING ANGLE - LW RIGHT REAR	EA
153-6042	MOUNTING ANGLE - LW LEFT REAR	EA
153-6043	MOUNTING ANGLE - LW RIGHT SIDE	EA
153-6044	MOUNTING ANGLE - LW LEFT SIDE	EA
153-6045	MOUNTING ANGLE - LW RIGHT FRONT	EA
153-6046	MOUNTING ANGLE - LW LEFT FRONT	EA
153-6047	LANE TO LANE CASTER SPACER	EA
153-6048A	MACHINE HANDLE TRIM (11")	EA
153-6060	APPROACH-SENSOR ADJUSTMENT BAR	EA
153-6061	SPEED CONTROL POTENTIOMETER LOCKING BAR (2X)	EA
153-6065A	LANE DISTANCE COUNTER SHAFT (REMOTE LDS) LW & LCM	EA
153-6068	MICROSWITCH ADJUSTMENT BAR FOR ON-LANE SWITCH	EA
153-6250D	KEYBOARD MOUNTING BRACKET (PRO01)	EA
153-6272	CUSHION ROLLER SHAFT - LIFTING LINODUSTER (48")	EA

DBA LaneWalker OPERATORS MANUAL
COMPLETE PARTS LIST

PART #	PART DESCRIPTION	UOM
153-6273	LINODUSTER PLATE - "C" LEFT SIDE	EA
153-6274	LINODUSTER PLATE - "C" RIGHT SIDE	EA
153-6411	TRANSFER CHAIN IDLER SPROCKET MOUNTING ANGLE (1 x 2)	EA
153-6825A	LINODUSTER CLOTH ROUTING BAR (STEEL)	EA
153-6850	UHMW LINODUSTER PLUG FOR CARDBOARD CORE	EA
153-7002AA	LANE DISTANCE COUNTER WHEEL-TREADED (2 INCH)	EA
153-7002U	LANE TO LANE WHEEL-URETHANE (WITH KEYWAY)	EA
153-7004U	URETHANE-BLEND HOPPER WHEEL	EA
153-7013	URETHANE-BLEND LANE DRIVE WHEEL (FOUR-INCH TREADED)	EA
153-7104	HOPPER WHEEL ASSEMBLY (W/KEYWAY-MAIN DRIVE SHAFT)	EA
153-7401	UHMW KICK-UP WHEEL	EA
153-8001	SPEED CONTROL ASSEMBLY-115 VOLT (LW & LCM)	EA
153-8002	LANE TO LANE WHEELS (COMPLETE SET)	EA
153-8004	MAIN DRIVE SHAFT ASSEMBLY (LANEWALKER)	EA
153-8006	SHORT SHAFT HOPPER WHEEL ASSEMBLY	EA
153-8007	LONG SHAFT HOPPER WHEEL ASSEMBLY	EA
153-8008	TRANSFER ROLLER ASSEMBLY (LANEWALKER)	EA
153-8009	LANE TO LANE MEASURING WHEEL ASSEMBLY	EA
153-8010C	SOLENOID CABLE ASSEMBLY (6.312")	
153-8011	POWER CORD ASSEMBLY - 180 FEET (115V 15 AMP)	EA
153-8013	LANE TO LANE MOTOR ASSEMBLY	EA
153-8016A	BUFFER MOTOR ASSEMBLY (60 Hz - 10LO50)	EA
153-8017	BUFFER BRUSH ASSEMBLY (LANEWALKER)	EA
153-8019	OIL TANK ASSEMBLY	EA
153-8020L	LEFT HOPPER CHAIN TENSIONER & GUARD ASSEMBLY	EA
153-8020R	RIGHT HOPPER CHAIN TENSIONER & GUARD ASSEMBLY	EA
153-8023	LANE TO LANE DRIVE WHEEL ASSEMBLY (LANEWALKER)	EA
153-8024	COMPLETE WICK PLATE ASSEMBLY (4-7/16")	EA
153-8025	COMPLETE WICK PLATE ASSEMBLY (5-5/16")	EA
153-8027	LEFT BRUSH PILLOWBLOCK ASSEMBLY	EA
153-8028	RIGHT BRUSH PILLOWBLOCK ASSEMBLY	EA
153-8030	COMPLETE WICK PLATE ASSEMBLY (10-1/4")	EA
153-8031S	LANE DISTANCE PILLOWBLOCK ASSEMBLY (OLS)	EA
153-8032S	LANE DISTANCE PILLOWBLOCK ASSEMBLY (CENTER - LDS)	EA
153-8033	LANE DISTANCE COUNTER PILLOWBLOCK ASSEMBLY (LEFT)	EA
153-8034	DRIVE SHAFT PILLOWBLOCK-PLAIN BUSHING	EA
153-8035	DRIVE SHAFT PILLOWBLOCK-SENSOR	EA
153-8036	DRIVE SHAFT PILLOWBLOCK-FLANGED BUSHING	EA
153-8037	DRIVE SHAFT PILLOWBLOCK-BUFFER	EA
153-8038	REAR HOPPER WHEEL WALL PILLOWBLOCK ASSEMBLY	EA
153-8039	BUFFER BELT IDLER ASSEMBLY	EA
153-8040	TRANSFER IDLER SPROCKET ASSEMBLY	EA
153-8041	UHMW DRIVE MOTOR CHAIN TENSIONER (LW=1-1/2 X 4)	EA
153-8042	CORD HANGER PIVOT ARM ASSEMBLY	EA
153-8044	FIELD REPLACEMENT COLLAR (FOR WHEEL POSITION SENSOR)	EA
153-8045	LANE TO LANE DRIVE PILLOWBLOCK ASSEMBLY (LANEWALKER)	EA
153-8046	LANE TO LANE SENSOR PILLOWBLOCK ASSEMBLY (LANEWALKER)	EA
153-8047	DRIVE MOTOR BEARING BRACKET ASSEMBLY	EA
153-8048	COMPLETE LID ASSEMBLY (LANEWALKER = 57-7/8")	EA
153-8049	LANE DISTANCE SENSOR GUARD ASSEMBLY	EA

DBA LaneWalker OPERATORS MANUAL
COMPLETE PARTS LIST

PART #	PART DESCRIPTION	UOM
153-8050	WHEEL POSITION SENSOR GUARD ASSEMBLY	EA
153-8051	TRANSFER ROLLER ARM MOUNT ASSEMBLY (4-3/4")	EA
153-8052	MICROSWITCH HARNESS - LW LIFTING DUSTER	EA
153-8059	EXTENSION CABLE FOR LW DUSTER MOTOR	EA
153-8062	COLLAR ASSEMBLY FOR O L S	EA
153-8064	BUMPER WHEEL CONVERSION FOR AMF BUMPERS (LW)	SET
153-8065	DRIVE MOTOR ASSEMBLY (DAYTON 130VDC/165 RPM)	EA
153-8065K	DRIVE MOTOR KIT FOR LW (DAYTON 130VDC/165 RPM)	EA
153-8102	2" COMPLETE WICK PLATE ASSEMBLY	EA
153-8103	3" COMPLETE WICK PLATE ASSEMBLY	EA
153-8104	4" COMPLETE WICK PLATE ASSEMBLY	EA
153-8105	5" COMPLETE WICK PLATE ASSEMBLY	EA
153-8106	6" COMPLETE WICK PLATE ASSEMBLY	EA
153-8107	7" COMPLETE WICK PLATE ASSEMBLY	EA
153-8108	8" COMPLETE WICK PLATE ASSEMBLY	EA
153-8109	9" COMPLETE WICK PLATE ASSEMBLY	EA
153-8110	10" COMPLETE WICK PLATE ASSEMBLY	EA
153-8111	11" COMPLETE WICK PLATE ASSEMBLY	EA
153-8112	12" COMPLETE WICK PLATE ASSEMBLY	EA
153-8201B	LINODUSTER DRIVE HUB ASSEMBLY (CARDBOARD CORE-1/4-28 SET)	EA
153-8218	1.25" STUD PLATE ASSEMBLY (LANE EDGE GUIDE ROLLER)	EA
153-8238B	CUSHION ROLLER ASSEMBLY (STEEL CORE = 44")	EA
153-8248L	PIVOT ARM ASSEMBLY - DOGLEG (LEFT SIDE)	EA
153-8248R	PIVOT ARM ASSEMBLY - DOGLEG (RIGHT SIDE)	EA
153-8310	LANE EDGE GUIDE ROLLER ASSEMBLY (3/8" BORE)	EA
153-8311	MOMENTARY WHEEL ASSEMBLY (URETHANE)	EA
153-9001A	SPROCKET - 40B11 (DRIVE MOTOR-3/4" BORE)	EA
153-9002	SPROCKET - 40B13 (5/8" BORE)	EA
153-9003	SPROCKET - 40B10 (5/8" BORE)	EA
153-9004	SPROCKET - 35B14 (LANE TO LANE DRIVE-1/2")	EA
153-9005	SPROCKET - 35B10 (LANE TO LANE MOTOR-1/2")	EA
153-9008	SPROCKET - 25B25 (TRANSFER ROLLER-3/8")	EA
153-9010	SPROCKET - 25B15 (TRANSFER DRIVE-3/8")	EA
153-9013	BUFFER MOTOR PULLEY (10L050-1/2")	EA
153-9015	T-BELT 322LO50 (BUFFER MOTOR)	EA
153-9016	3/4" FLANGED BEARING	EA
153-9023	FLANGED BUSHING (1/2 X 3/4 X 3/4)	EA
153-9024	FLANGED BUSHING (1/2 X 3/4 X 1)	EA
153-9024A	PLAIN BUSHING (5/8 X 7/8 X 3/4)	EA
153-9025	FLANGED BUSHING (5/8 X 7/8 X 1)	EA
153-9028A	SPECIAL BUSHING (1/4 X 5/16 X 1/2)	EA
153-9031	PLAIN BUSHING (1/4 X 3/8 X 3/4)	EA
153-9034	PLAIN BUSHING (3/8 X 1/2 X 1/4)	EA
153-9035	PLAIN BUSHING (3/8 X 1/2 X 3/4)	EA
153-9037	PLAIN BUSHING (1/2 X 3/4 X 3/4)	EA
153-9040	PLAIN BUSHING (5/8 X 7/8 X 1)	EA
153-9042	TRANSFER ROLLER PRIMARY CHAIN (25P49)	EA
153-9042A	TRANSFER ROLLER SECONDARY CHAIN (25P35)	EA
153-9043	LANE TO LANE CHAIN (35P43)	EA
153-9044	HOPPER DRIVE CHAIN (40P65) SECONDARY	EA

DBA LaneWalker OPERATORS MANUAL
COMPLETE PARTS LIST

PART #	PART DESCRIPTION	UOM
153-9044A	PRIMARY DRIVE CHAIN - BODINE (40P29)	EA
153-9045	25 MASTER LINK	EA
153-9046	35 MASTER LINK	EA
153-9047	40 MASTER LINK	EA
153-9048	40 OFFSET LINK	EA
153-9049	TRANSFER ROLLER PLUG (1.63 X 0.140 X 0.375)	EA
153-9050A	CUSHION ROLLER PLUG (1.403 X 0.140 X 0.375) STEEL CORE	EA
153-9101	PLAIN BUSHING (1/2 X 5/8 X 1/2)	EA
153-9107	SPROCKET (25-TOOTH LANE TO LANE SENSOR)	EA
153-9110	COUNTER SPROCKET (10-TOOTH)	EA
153-9402	FLANGED BUSHING (3/8 X 1/2 X 1/2)	EA
153-9409	FLANGED BUSHING (1/4 X 3/8 X 1/4)	EA
154-0242B	VELCRO ON HANDHELD (3" - HOOK WITH ADHESIVE)	EA
154-0242C	VELCRO TO MOUNT HANDHELD (3" - LOOP WITH ADHESIVE)	EA
154-0262	SAFETY STICKER - COMMERCIALS FLUIDS ONLY	EA
154-0263	SAFETY STICKER - DISCONNECT POWER	EA
154-0264	SAFETY STICKER - USE CORD PROVIDED	EA
154-0265	SAFETY STICKER - MOVING PARTS	EA
154-0266	SAFETY STICKER - INTERNATIONAL SYMBOL	EA
154-0269	SAFETY STICKER - GROUND LOCATION	EA
154-0270	SAFETY STICKER - NO HANDS	EA
154-0273C	CORD CONDUCTOR IDENTIFICATION CARD-OLFLX	EA
154-1239	TERMINAL BLOCK - GRAY 2 CONDUCTOR (WAGO 261)	EA
154-1240	TERMINAL BLOCK - BLUE 2 CONDUCTOR (WAGO 261)	EA
154-1242	TERMINAL BLOCK - WHITE 2 CONDUCTOR (WAGO 261)	EA
154-1243	TERMINAL BLOCK - GRAY 4 CONDUCTOR (WAGO 261)	EA
154-1244	TERMINAL BLOCK - BLUE 4 CONDUCTOR (WAGO 261)	EA
154-1245	TERMINAL BLOCK - ORANGE 4 CONDUCTOR (WAGO 261)	EA
154-1246	TERMINAL BLOCK - WHITE 4 CONDUCTOR (WAGO 261)	EA
154-1247	END PLATE FOR TERMINAL BLOCK (WAGO 261)	EA
154-1248	JUMPER BAR FOR TERMINAL BLOCK (WAGO 261)	EA
154-1252	FORK TERMINAL - 22-18 AWG (#6 STUD)	EA
154-1253	FORK TERMINAL - 12-10 AWG (#6 STUD)	EA
154-1268C	FUSE - TIME DELAY (4A ABC) UL - CERAMIC	EA
154-1269	FUSE - TIME DELAY (6A MDL) UL	EA
154-6262	TIMING DISK FOR LANE DISTANCE AND TACH SENSOR	EA
154-6264	SHAFT FOR TIMING DISK (REMOTE SENSOR)	EA
154-6265	MOUNTING HUB FOR TIMING DISK (REMOTE SENSOR)	EA
154-6266	GUARD FOR TIMING DISK (LDS & TACH) ALUMINUM	EA
154-6267	LDS CHAIN GUARD - ALUMINUM	EA
154-6270	SPACER FOR LDC SENSOR (3/16" ALUMINUM)	EA
154-8004	CONE-BRAKE MOTOR & BUTTON ASSEMBLY (7 RPM-115 VOLT)	EA
154-9211	LDS AND TACH SENSOR DRIVE CHAIN (25P29)	EA
154-9213	SPROCKET - 25B15 (TACH AND LDS DRIVE 1/2" BORE)	EA



Notes:

