



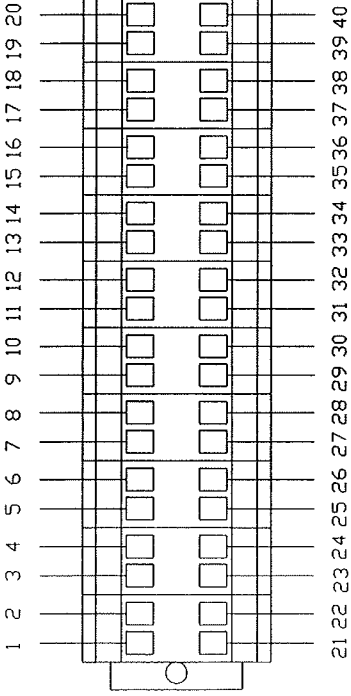
## SECTION XI - Mechanical Drawings

### Table of Contents

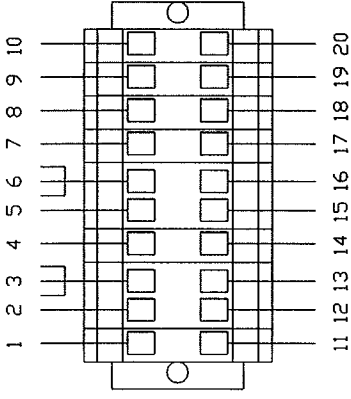
Edition 06:04

Relay Detail Diagram	
Electrical Wiring Diagram - 115V/60 Hz	
Electrical Wiring Diagram - 230V/50 Hz	
Terminal Block Diagram	
Overhead View .....	Figure 1
Bottom View .....	Figure 2
Right Side .....	Figure 3
Left Side .....	Figure 4
Control Plate Assembly .....	Figure 5
Lane Distance Sensor Assembly .....	Figure 6
Speed Control & Drive Motor .....	Figure 7
Cleaner Supply System .....	Figure 8
Conditioning Assembly .....	Figure 9
Conditioner Transfer Assembly .....	Figure 10
Squeegee Motor Assembly .....	Figure 11
Duster Assembly .....	Figure 12
Buffer Brush Lifting Motor Assembly .....	Figure 13
Attaching Parts Breakdown (Fasteners) .....	Page 1
Complete Parts List .....	Page 1

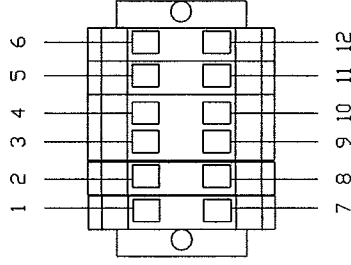
TB-1



TB-2



TB-3



DRAWN BY CREWS		DATE 05/17/04	THE KEGEL CO. 1951 LONGLEAF BLVD LAKE WALES, FL 33859 (863) 734-0200	
CHECKER SOWARDS		ENGINEER M. DAVIS	DESCRIPTION TERMINAL BLOCK WIRING SCHEMATIC DO NOT SCALE DRAWING	
		SIZE C	VOLTAGE/Hz 115/60	PART NUMBER 230/50
		SCALE N/A	SHEET 2	OF 2

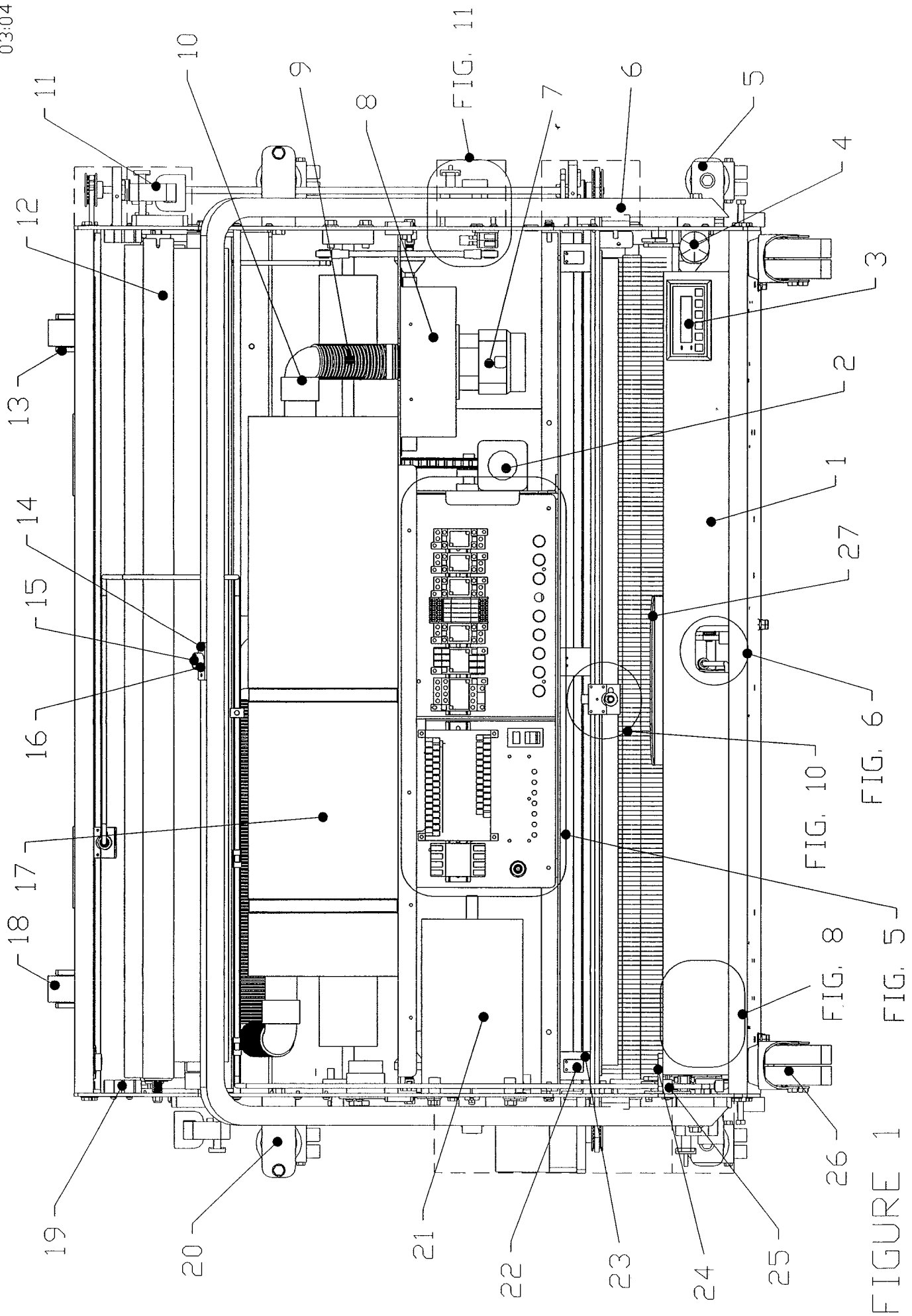


FIGURE 1

FIGURE NUMBER	INDEX NUMBER	PART NUMBER	PART NAME & DESCRIPTION
<b>FIGURE 1 PART NUMBERS</b>			
1	1	154-8818	SPLASH GUARD ASSEMBLY
1	2	154-1250	EMERGENCY STOP CIRCUIT BREAKER ASSEMBLY
1	3	154-8806	KEYPAD ASSEMBLY
1	4	154-1225	PRESSURE GAUGE (0-30 PSI) - 1-1/2 DIA
1	5	154-6221	MOUNTING ANGLE-HEAVY CASTER (3 X 3.625)
1	6	154-8823	LANE TO LANE HANDLE ASSEMBLY
1	7	154-8805	VACUUM MOTOR ASSEMBLY - 115V
1	7	154-8805E	VACUUM MOTOR ASSEMBLY - 230V
1	8	154-8625	VACUUM MOTOR HOUSING - ALUMINUM
1	9	154-0260	FLEXIBLE VACUUM HOSE STOCK (1-1/2" ID)
1	10	153-8827T	1-1/4 PVC ELBOW-TANK INLET (NO THREADS)
1	11	153-8403	BRAKE MOTOR ASSEMBLY (7 RPM-115 VOLT)
1	11	153-8803H	BRAKE MOTOR ASSEMBLY (7 RPM-230V 50 Hz)
1	12	153-8824	PVC TAKE-UP REEL ASSEMBLY (44-3/4")
1	13	153-6029	MOMENTARY WHEEL HOUSING
1	14	153-6437	PUSH BUTTON MOUNTING PLATE
1	15	154-8824	PUSH BUTTON REPLACEMENT HARNESS
1	15	153-1408	PUSH BUTTON ONLY (RED)
1	16	153-1209	BUTTON GUARD
1	17	154-8683	POLYETHYLENE RECOVERY TANK ASSEMBLY (2002)
1	18	153-8311	MOMENTARY WHEEL ASSEMBLY (URETHANE)
1	19	154-1603	MICROSWITCH-WITHOUT ROLLER (LARGE)
1	20	154-6629	SIDE LIFT HANDLE MOUNT
1	21	154-8616A	BUFFER MOTOR ASSEMBLY (115V-AC ONLY)
1	21	154-8616E	BUFFER MOTOR ASSEMBLY (230V-AC ONLY)
1	22	154-1220	INDUCTIVE PROXIMITY SENSOR (TL-Q5MC1)
1	23	154-6872	HEAD DRIVE MOUNT BAR
1	24	154-6357	LATCH FOR SPLASH GUARD
1	25	154-6356	MOUNT BLOCK FOR LATCH
1	26	153-0001	TRANSPORT CASTER (3" DUAL WHEEL)
1	27	154-6687	SPRING RETAINER PLATE

FIGURE 1  
KUSTODIAN PLUS

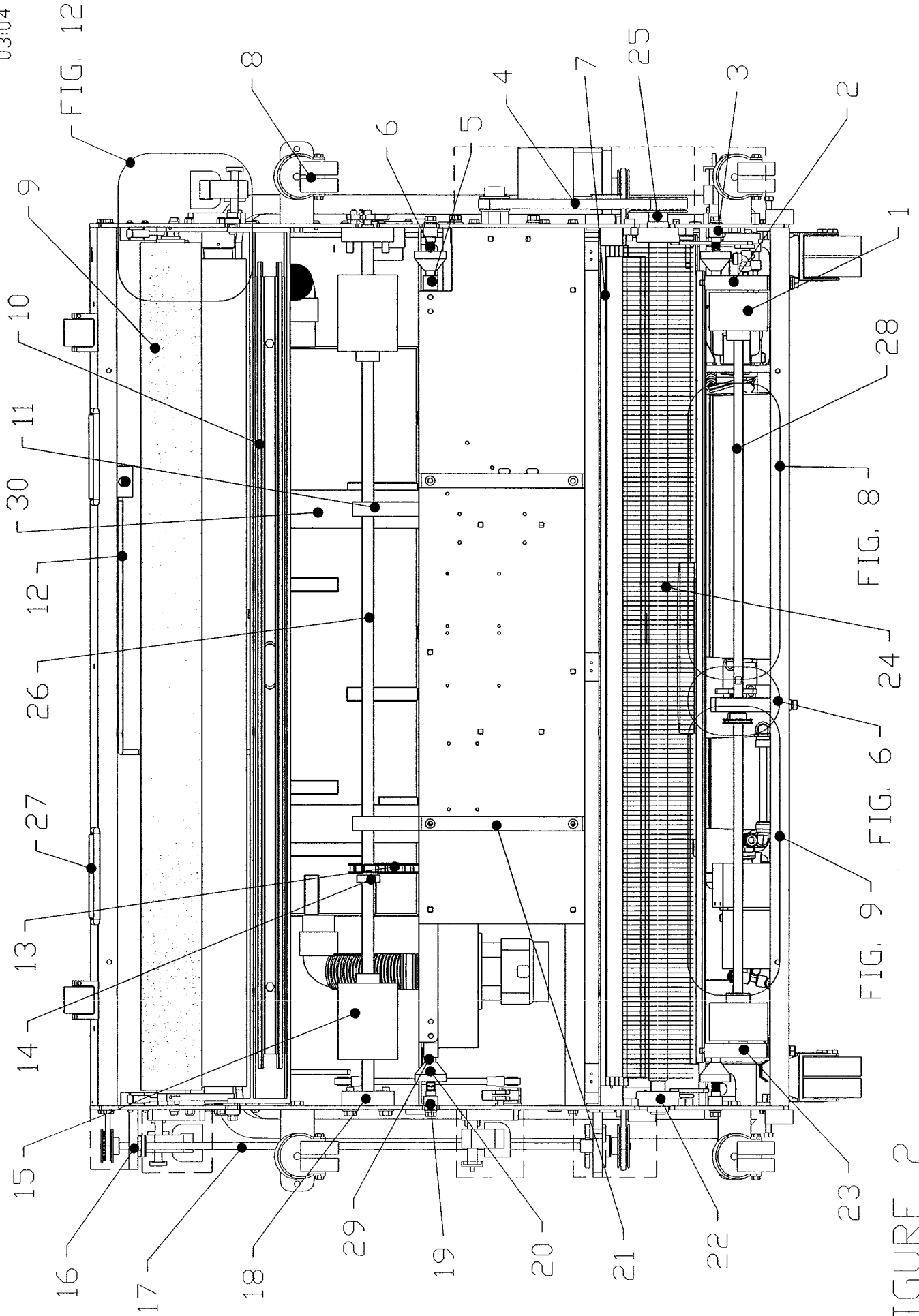


FIGURE 2

FIGURE NUMBER	INDEX NUMBER	PART NUMBER	PART NAME & DESCRIPTION
<b>FIGURE 2 PART NUMBERS</b>			
2	1	153-7002AA	LANE DISTANCE COUNTER WHEEL-TREADED (2")
2	2	154-8619	PILLOWBLOCK-LANE DISTANCE (LEFT-FLANGED)
2	3	153-6417	GUIDE ROLLER MOUNT BLOCK
2	4	154-9615	T-BELT 255L050 (BUFFER MOTOR)
2	5	154-6651	FRONT GUIDE ROLLER MOUNT
2	6	153-2401	SPRING - 0.54 OD X 0.75 (GUIDE ROLLER)
2	7	154-0866	TRANSFER BRUSH ASSEMBLY
2	8	153-0812	TRANSPORT CASTER-2" HEAVY DUTY (3/8")
2	9	153-8839	CUSHION ROLLER WITH PAD (STEEL=44-3/8)
2	10	153-0202	COMPLETE SQUEEGEE ASSEMBLY (BLUE)
2	10	153-0202B	REPLACEMENT SQUEEGEE BLADE-BLUE STOCK
2	11	154-8803	DRIVE SHAFT PILLOWBLOCK
2	12	154-0202A	PENCIL TUBING STOCK - 1/4" OD X 1/8" ID
2	13	153-9814	DRIVE CHAIN - (40P33)
2	14	153-9003	SPROCKET - 40B10 (5/8" BORE)
2	15	153-7013	URETHANE-BLEND LANE DRIVE WHEEL (4")
2	16	154-6875	HEAD IDLER MOUNT BLOCK
2	17	154-6879	CLEANER HEAD DRIVE SHAFT
2	18	154-8007	SIDE PLATE PILLOWBLOCK FOR DRIVE SHAFT
2	19	154-6652	GUIDE ROLLER MOUNT BLOCK
2	20	153-8410	LANE EDGE GUIDE ROLLER W/BUSHING (1/2")
2	21	154-6873	SKID GUIDES
2	22	154-8640	FLANGED BEARING FOR BUFFER BRUSH (3/4" ROTATED)
2	23	154-8621	PILLOWBLOCK-LANE DISTANCE (RIGHT-FLANGE)
2	24	154-8641	BUFFER BRUSH (BLUE 3-3/4" X 48)
2	25	154-6664	BUFFER BRUSH PULLEY SPACER
2	26	154-6820	MAIN DRIVE SHAFT
2	27	154-0810	LIFTING HANDLE (SS SPRING-LOADED CHEST)
2	28	154-6821	LDS SHAFT
2	29	153-9803	FLANGED BUSHING (3/8 X 1/2 X 1/4)
2	30	154-6881	RECOVERY TANK SUPPORT BAR

FIGURE 2  
KUSTODIAN PLUS

03:04

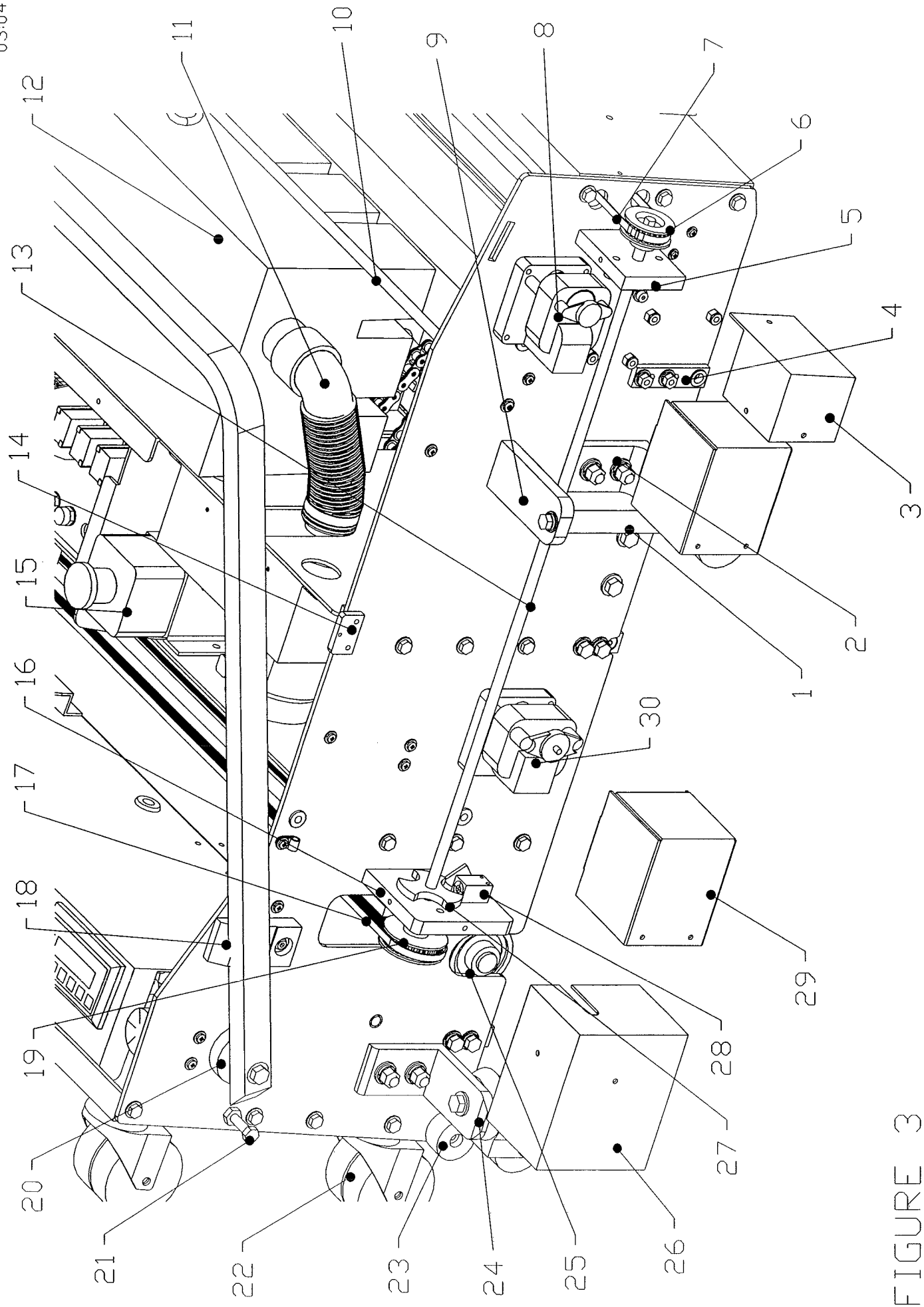


FIGURE 3

FIGURE NUMBER	INDEX NUMBER	PART NUMBER	PART NAME & DESCRIPTION
<b>FIGURE 3 PART NUMBERS</b>			
3	1	154-6627	SIDE LIFT HANDLE
3	2	154-6628	CASTER/HANDLE MOUNT ANGLE
3	3	154-6864	CLEANER HEAD DRIVE GUARD
3	4	154-8802	SQUEEGEE ADJUSTMENT ARM - RIGHT
3	5	154-6878	CLEANER HEAD DRIVE SHAFT BLOCK
3	6	154-9802	PULLEY (27XL 3/8 BORE W/DBL SET)"
3	7	154-9201C	BELT FOR CLEANER HEAD DRIVE
3	8	153-8403	BRAKE MOTOR ASSEMBLY (7 RPM-115 VOLT)
3	8	153-8803H	BRAKE MOTOR ASSEMBLY (7 RPM-230V 50 Hz)
3	9	154-6629	SIDE LIFT HANDLE MOUNT
3	10	154-6889	CLEANER HOSE ROUTING BAR
3	11	153-8827T	1-1/4 PVC ELBOW FOR TANK INLET (NO THREADS)
3	12	154-8683	POLYETHYLENE RECOVERY TANK ASSEMBLY
3	13	154-6879	CLEANER HEAD DRIVE SHAFT
3	14	154-6698	LID MOUNT PLATE
3	15	154-1250	EMERGENCY STOP CIRCUIT BREAKER ASSEMBLY
3	16	154-6875	HEAD IDLER MOUNT BLOCK
3	17	154-9201	BELT FOR CONDITIONER HEAD DRIVE (XL025 - 9 FEET)
3	18	154-6041	UHMW HANDLE STOP
3	19	154-9805	PULLEY - 32XL037 - 3/8 BORE W/ DBL SET
3	20	153-6851	UHMW HANDLE SPACER
3	21	153-2818	HHCS - 3/8-16 X 2-1/2 (GRADE 8)
3	22	153-0001	TRANSPORT CASTER (3" DUAL WHEEL)
3	23	154-6042	UHMW WHEEL - CORNER GUARD
3	24	154-6221	MOUNTING ANGLE - HEAVY DUTY CASTER (3 x 3.625)
3	25	154-8640	FLANGED BEARING FOR BUFFER BRUSH (3/4" ROTATED)
3	26	154-6863	OIL HEAD IDLER GUARD
3	27	154-6884	6-TOOTH SENSOR DISK
3	28	154-1220	INDUCTIVE PROXIMITY SENSOR (TL-Q5MC1)
3	29	153-6412	DUSTER MOTOR SHIELD (7 RPM)
3	30	153-8207	BRAKE MOTOR ASSEMBLY (25 RPM-115 VOLT)
3	30	153-8807H	BRAKE MOTOR ASSEMBLY (25 RPM-230V 50 Hz)

FIGURE 3  
KUSTODIAN PLUS



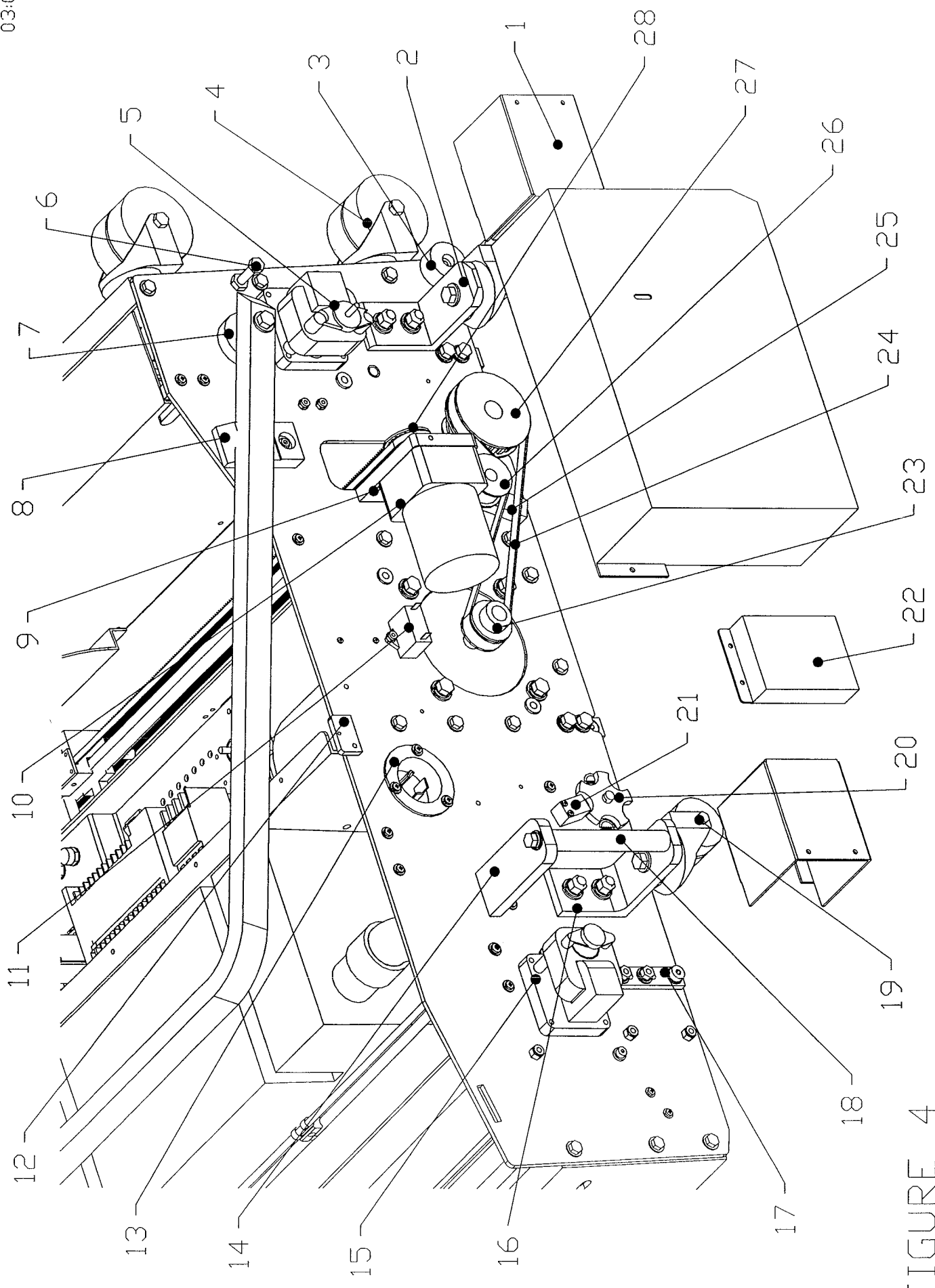


FIGURE 4

FIGURE NUMBER	INDEX NUMBER	PART NUMBER	PART NAME & DESCRIPTION
<b>FIGURE 4 PART NUMBERS</b>			
4	1	153-6412	DUSTER MOTOR SHIELD (7 RPM)
4	2	154-6221	MOUNTING ANGLE-HEAVY CASTER (3 X 3.625)
4	3	154-6042	UHMW WHEEL - CORNER GUARD
4	4	153-0001	TRANSPORT CASTER (3" DUAL WHEEL)
4	5	153-8207	BRAKE MOTOR ASSEMBLY (25 RPM-115 VOLT)
4	5	153-8807H	BRAKE MOTOR ASSEMBLY (25 RPM-230V 50 Hz)
4	6	153-2818	HHCS - 3/8-16 X 2-1/2 (GRADE 8)
4	7	153-6851	UHMW HANDLE SPACER
4	8	154-6041	UHMW HANDLE STOP
4	9	154-6876	HEAD DRIVE MOTOR MOUNT
4	10	154-1206	GEARBOX FOR HEAD DRIVE MOTOR (5:1 RATIO)
4	11	154-1208	MOTOR CAPACITOR (6.0 mF)
4	11	154-1208B	MOTOR CAPACITOR (1.5 mF)
4	12	154-6698	LID MOUNT PLATE
4	13	153-1823	FLANGED TWISTLOCK INLET - 125V/20A
4	13	153-1826	FLANGED TWISTLOCK INLET - 250V/20A
4	14	154-6629	SIDE LIFT HANDLE MOUNT
4	15	153-8403	BRAKE MOTOR ASSEMBLY (7 RPM-115 VOLT)
4	15	153-8803H	BRAKE MOTOR ASSEMBLY (7 RPM-230V 50 Hz)
4	16	154-6628	CASTER/HANDLE MOUNT ANGLE
4	17	154-8801	SQUEEGEE ADJUSTMENT ARM - LEFT
4	18	154-6627	SIDE LIFT HANDLE
4	19	153-0812	TRANSPORT CASTER-2" HEAVY DUTY (3/8")
4	20	154-6717	5-TOOTH SENSOR DISK - ALUMINUM (3/8 BORE)
4	21	154-1220	INDUCTIVE PROXIMITY SENSOR
4	22	154-6266	GUARD-TIMING DISK (LDS & TACH) ALUMINUM
4	23	153-9013	BUFFER MOTOR PULLEY (10L050-1/2")
4	24	154-9615	T-BELT 255L050 (BUFFER MOTOR)
4	25	154-6841	BUFFER IDLER MOUNT BAR
4	26	154-8839	BUFFER IDLER ASSEMBLY
4	27	153-9014	BUFFER PULLEY (24L050-3/4")
4	28	154-9205B	PULLEY (28XL 3/8" BORE W/DBL SET)
4	28	154-9205D	PULLEY (24XL 3/8" BORE W/DBL SET)

FIGURE 4  
KUSTODIAN PLUS

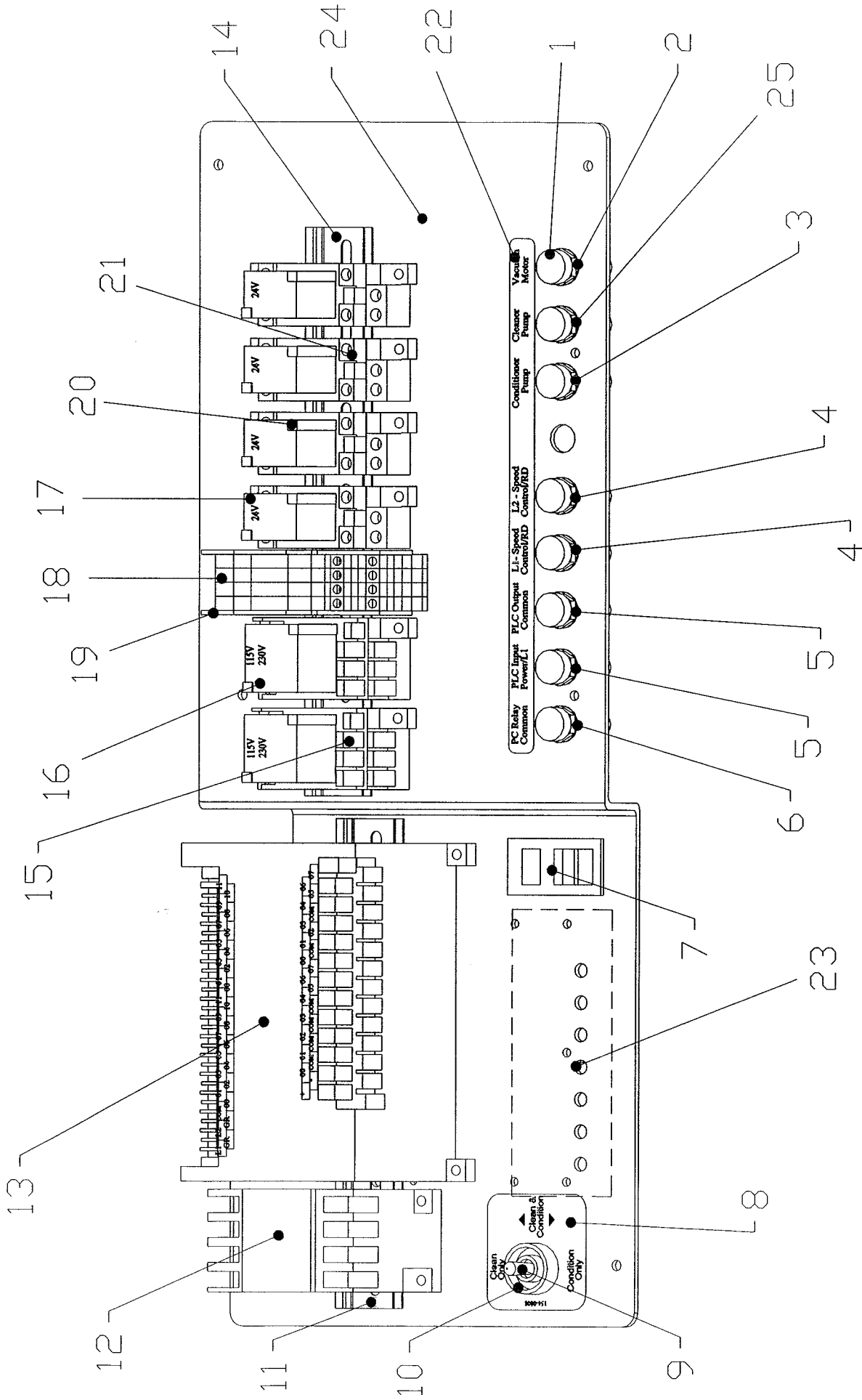


FIGURE 5

FIGURE NUMBER	INDEX NUMBER	PART NUMBER	PART NAME & DESCRIPTION
<b>FIGURE 5 PART NUMBERS</b>			
5	1	153-1028	PANEL-MOUNT FUSE HOLDER - UL (COMPLETE)
5	1	153-1028E	PANEL-MOUNT FUSE HOLDER - IEC (COMPLETE)
5	2	153-1810	CIRCUIT BREAKER - SPST (8A)
5	2	154-1273	FUSE - TIME DELAY (MDA-10A) UL
5	3	154-1262	FUSE - TIME DELAY (0.75A MDL) UL
5	3	154-1260E	FUSE - TIME DELAY (GDC-315mA) IEC
5	4	154-1268C	FUSE - TIME DELAY (4A ABC) UL - CERAMIC
5	4	154-1267E	FUSE - TIME DELAY (GDA-4A) IEC - CERAMIC
5	5	154-1261	FUSE - TIME DELAY (.5A MDL) UL
5	5	154-1261E	FUSE - TIME DELAY (GDC-500MA) IEC
5	6	154-1268	FUSE - TIME DELAY (4A MDL) UL
5	6	154-1268E	FUSE - TIME DELAY (GDC-4A) IEC
5	7	154-1272	CIRCUIT BREAKER - DPST (10A)
5	7	154-1610	CIRCUIT BREAKER - DPST (15A)
5	8	154-0808	TOGGLE SWITCH STICKER
5	9	153-1009	TOGGLE SWITCH (DPDT)
5	10	153-1209	BUTTON GUARD
5	11	153-1809C	DIN RAIL (8-1/4")
5	12	153-1004	BUFFER MOTOR CONTACTOR (115 VOLT)
5	12	153-1604	BUFFER MOTOR CONTACTOR (230 VOLT)
5	13	154-1801	MICROPROCESSOR - CPM2A
5	14	153-1809B	DIN RAIL (9-7/8")
5	15	153-1019	LY3 RELAY BASE
5	16	153-1018	LY3 RELAY (115 VOLT)
5	16	153-1618	LY3 RELAY (230 VOLT)
5	17	153-1016D	LY2 RELAY - 24V
5	18	154-1835	RELAY ASSY. COMPLETE (W/ RELAY)
5	19	154-1830	RELAY BASE SEPARATOR PLATE
5	20	153-1020	RELAY CLAMPS
5	21	153-1017	LY2 RELAY BASE
5	22	154-0807P	FUSE PANEL STICKER
5	23	154-8810	CIRCUIT BOARD ASSEMBLY - 115V
5	23	154-8811	CIRCUIT BOARD ASSEMBLY - 230V
5	24	154-6861-2915	PC/RELAY MOUNT PLATE
5	25	154-1268	FUSE - TIME DELAY (4A MDL) UL
5	25	154-1265E	FUSE - TIME DELAY (GDC-1.6A) IEC

FIGURE 5  
KUSTODIAN PLUS

RIGHT SIDE

LEFT SIDE

03:04

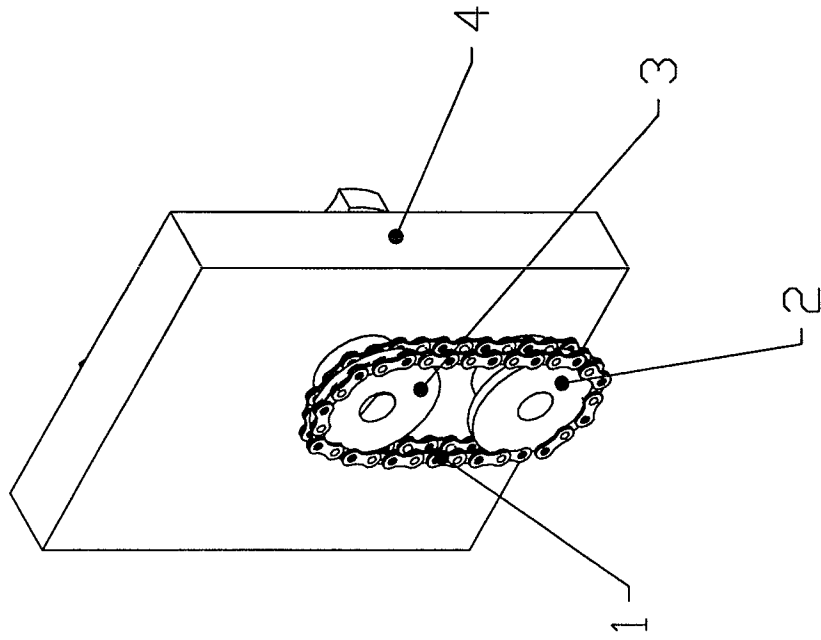
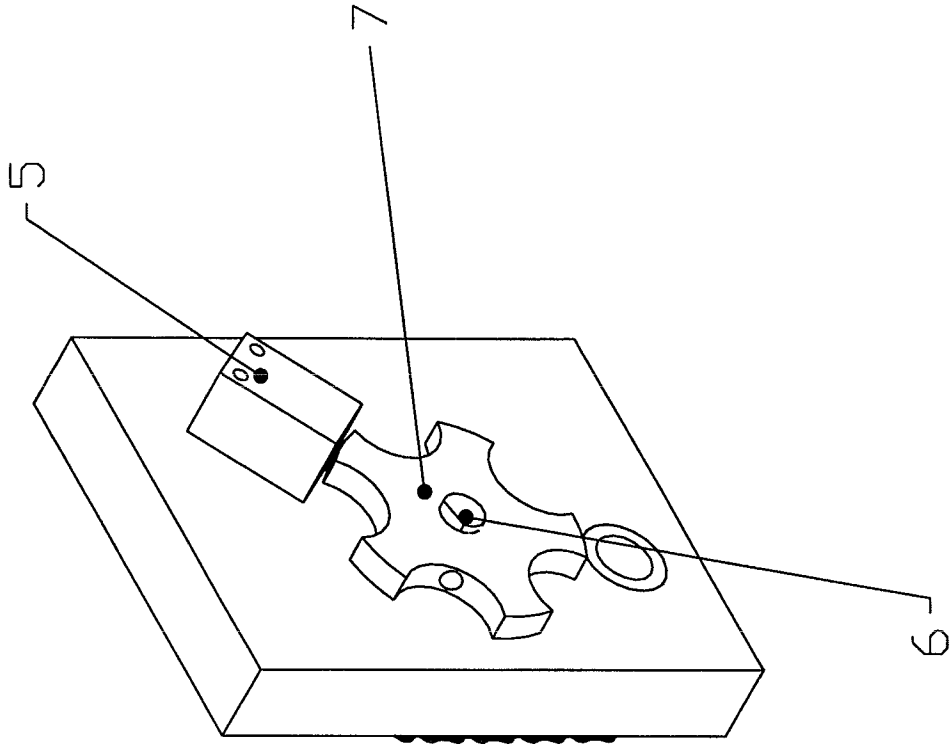


FIGURE 6

FIGURE NUMBER	INDEX NUMBER	PART NUMBER	PART NAME & DESCRIPTION
<b>FIGURE 6 PART NUMBERS</b>			
6	1	154-9211	LDS AND TACH SENSOR DRIVE CHAIN (25P29)
6	2	154-9213	SPROCKET - 25B15 (TACH AND LDS DRIVE 1/2" BORE)
6	3	153-9010	SPROCKET - 25B15 (TRANSFER DRIVE & LDS - 3/8")
6	4	154-8320	PILLOWBLOCK - LANE DISTANCE SHAFT (CENTER-PLAIN)
6	5	154-1220	PROXIMITY SENSOR
6	6	154-6264	SHAFT FOR TIMING DISK (REMOTE SENSOR)
6	7	154-6717	5-TOOTH ALUMINUM DISK (3/8 BORE)

FIGURE 6  
 KUSTODIAN PLUS

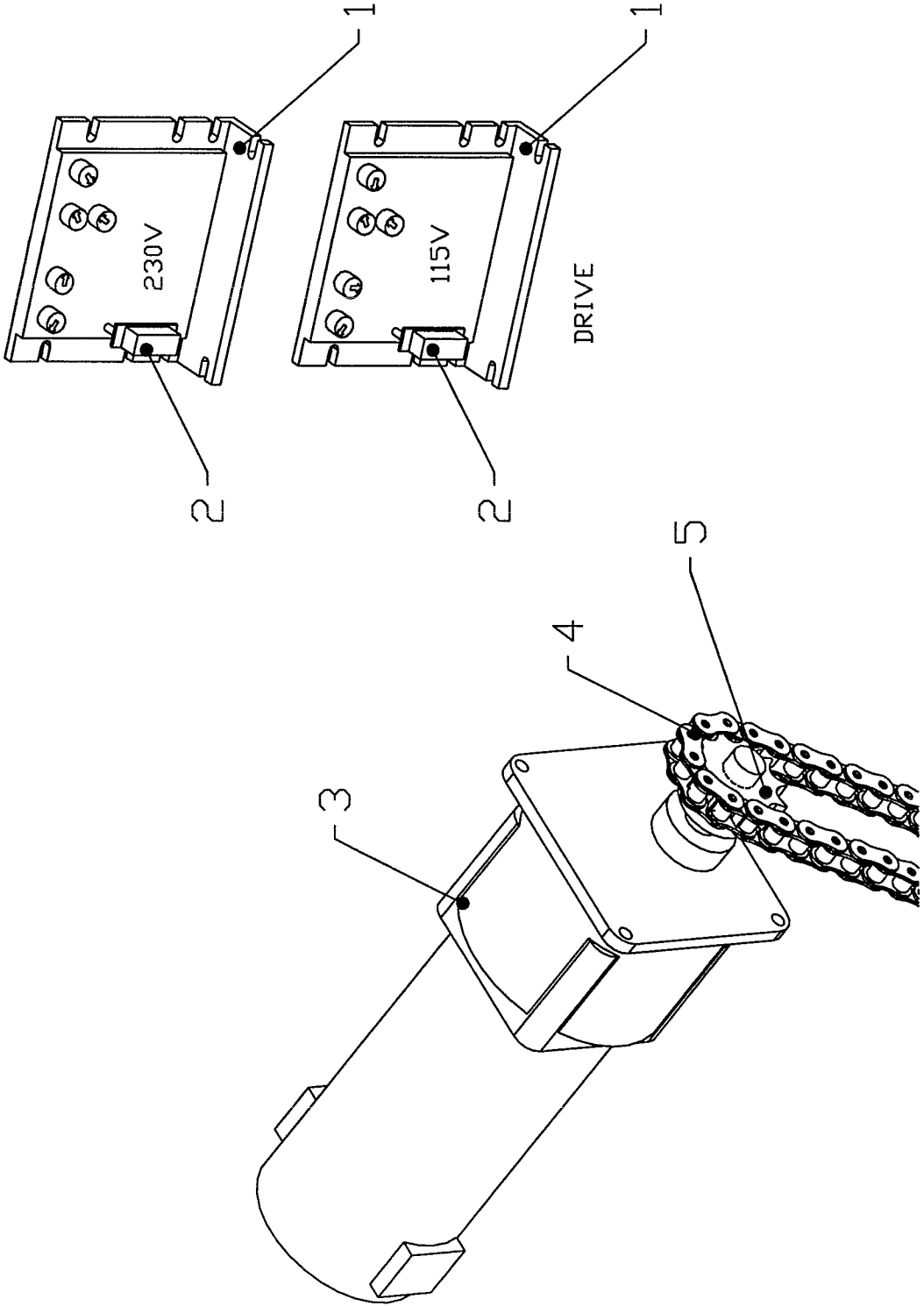


FIGURE 7

FIGURE NUMBER	INDEX NUMBER	PART NUMBER	PART NAME & DESCRIPTION
<b>FIGURE 7 PART NUMBERS</b>			
7	1	153-1012	SPEED CONTROL FOR DC MOTOR (KBIC-120)
7	1	153-1812	SPEED CONTROL FOR DC MOTOR (KBIC-240)
7	2	153-1015	HORSEPOWER RESISTOR (1/4 HP 0.5 OHM)
7	3	154-8865	BALDOR DC DRIVE MOTOR ASSEMBLY
7	4	153-9814	DRIVE CHAIN - (40P33)
7	5	153-9002	SPROCKET - 40B13 (5/8")



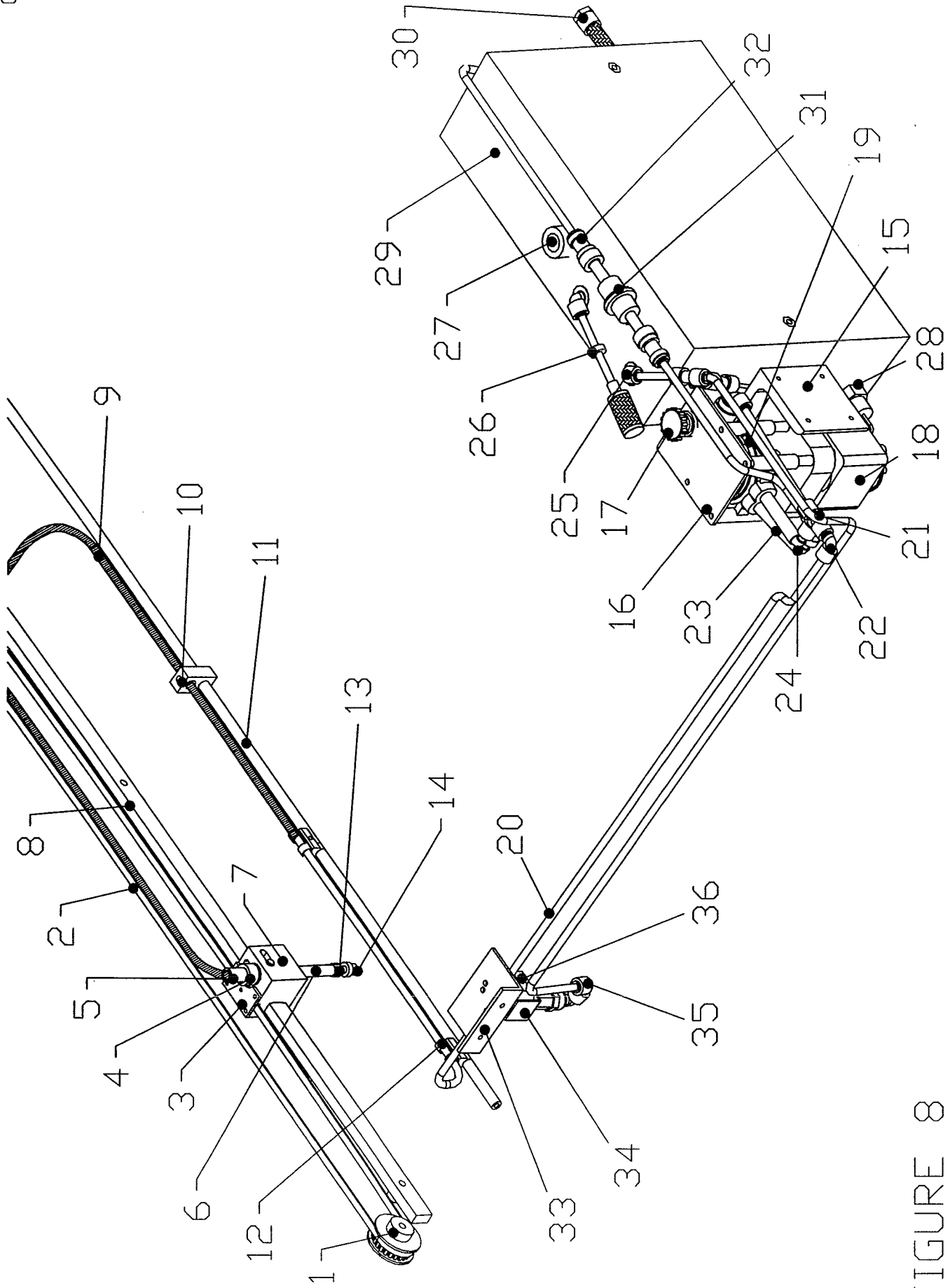


FIGURE 8

FIGURE NUMBER	INDEX NUMBER	PART NUMBER	PART NAME & DESCRIPTION
<b>FIGURE 8 PART NUMBERS</b>			
8	1	154-9802	PULLEY (27XL 3/8 BORE W/DBL SET)
8	2	154-9201C	CLEANER HEAD TIMING BELT
8	3	154-6646	HEAD BELT MOUNT PLATE
8	4	153-2902	STEEL COLLAR - 1/2 X 1-1/8 X 1/2
8	5	154-6885	CLEANER HOSE AND SPRING HOLDER
8	6	154-6887	CLEANER HOSE AND TIP HOLDER
8	7	154-6882	CLEANER HEAD
8	8	154-6877	CLEANER HEAD GUIDE BAR
8	9	154-0867	CLEANER HOSE SPRING 36"
8	10	154-6888	CLEANER HOSE SPRING MOUNT BLOCK
8	11	154-6889	CLEANER HOSE ROUTING BAR
8	12	154-0868	CLEANER HOSE AND SPRING RETAINER
8	13	154-0863	FITTING - MALE LUER TO 1/8" HOSE BARB
8	14	154-0862	CLEANER TIP W/ CHECK VALVE
8	15	154-6865	CLEANER PUMP MOUNT ANGLE
8	16	154-6866	CLEANER VALVE MOUNT ANGLE
8	17	154-1855	CLEANER VOLUME CONTROL VALVE
8	18	154-8874	CLEANER PUMP DRIVE MOTOR (115V) KUSTODIAN PLUS
8	18	154-8875	CLEANER PUMP DRIVE MOTOR (230V) KUSTODIAN PLUS
8	19	154-0860A	CLEANER PUMP
8	20	154-0202A	PENCIL TUBING STOCK - 1/4" OD X 1/8" ID
8	21	153-0815	UNION TEE (1/4 X 1/4 X 1/4-QUICK DISC)
8	22	154-0222	ELBOW - 1/4" STEM X 1/4" TUBING OD
8	23	154-0861B	NORPRENE TUBING FOR PUMP
8	24	154-0227	ELBOW-TUBE TO HOSE BARB (1/4" X 5/16 ID)
8	25	154-0223	ELBOW (90 DEGREE) - 1/4 NPT X 1/4" TUBE
8	26	154-8817	MANUAL VENT VALVE ASSEMBLY
8	27	154-0832	TANK CAP W/ GASKET
8	28	154-1617	FLOAT FOR PLASTIC TANK
8	29	154-8894	CLEANER SUPPLY TANK - SPIN WELD ONLY KUSTODIAN PLUS
8	30	154-0212B	FILTER FOR SUPPLY TANK (5" SS) PVC
8	31	154-0255	IN-LINE FILTER (1/4 BARB X 1/4 BARB)
8	32	154-0244	REDUCER 3/8" TO 1/4"
8	33	154-6883	CLEANER VALVE MOUNT ANGLE
8	34	154-1851	CLEANER VALVE 110 VOLT
8	34	154-1852	CLEANER VALVE 230 VOLT
8	35	154-0859	FIXED ELBOW- 1/4 TUBE - 1/8 NPTF (115V)
8	35	154-0223	ELBOW (90 DEGREE) - 1/4 NPT X 1/4" TUBE (230V)
8	36	154-0224	MALE CONNECTOR - 1/4" TUBE X 1/8 NPT (115V)
8	36	154-0858	MALE CONNECTOR-1/4 TUBE-1/4 NPTF (230V)

FIGURE 8  
KUSTODIAN PLUS

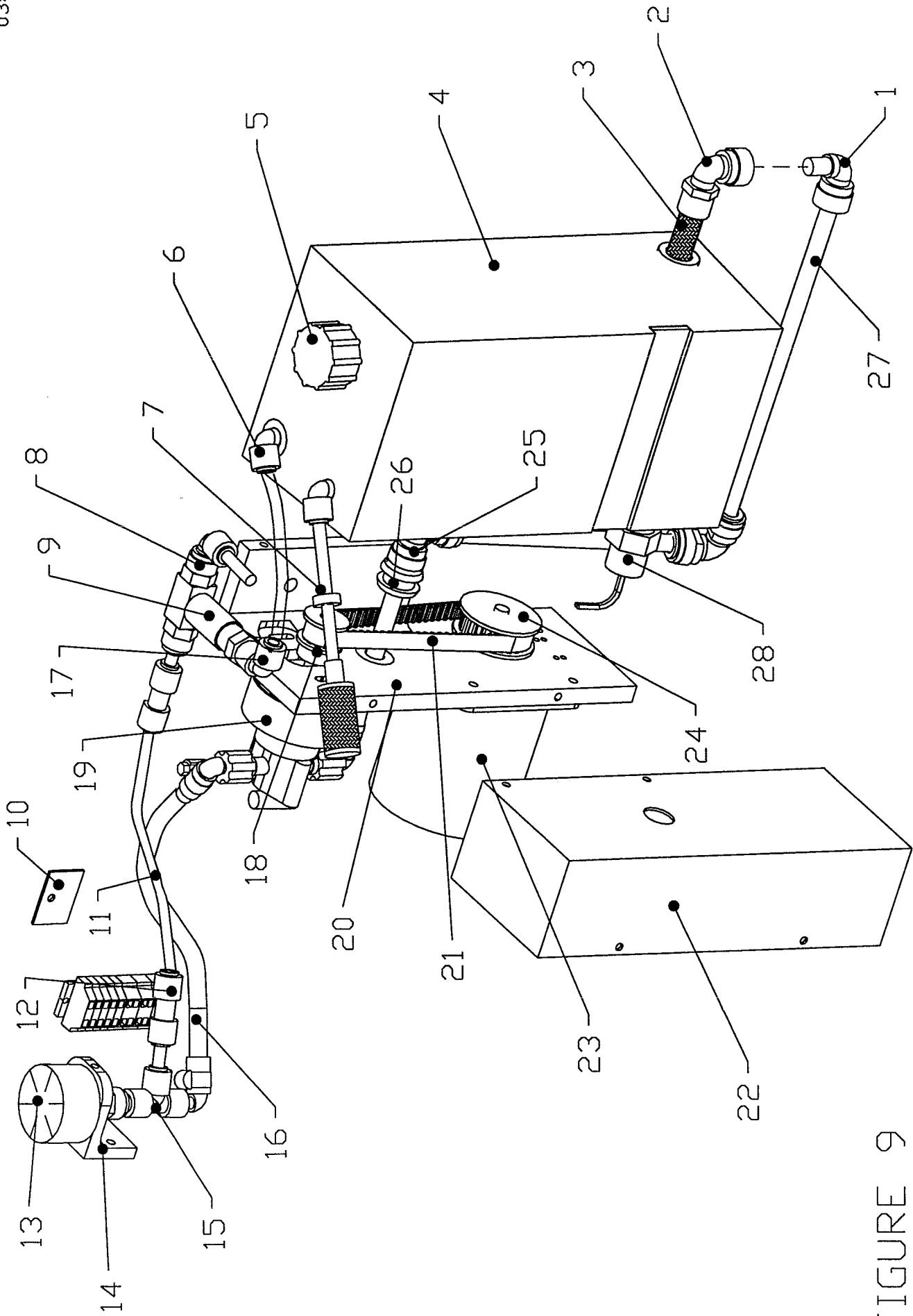


FIGURE 9

FIGURE NUMBER	INDEX NUMBER	PART NUMBER	PART NAME & DESCRIPTION
<b>FIGURE 9 PART NUMBERS</b>			
9	1	154-0258	ELBOW - 3/8 STEM 3/8 TUBE
9	2	154-0225	ELBOW - 3/8 TUBE OD X 1/4 NPT
9	3	154-0212	TANK FILTER (5" SS) FOR OIL TANK
9	4	154-6725	CONDITIONER TANK (NO FITTINGS)
9	4	154-8842	CONDITIONER TANK (COMPLETE)
9	5	154-0832	TANK CAP W/ GASKET
9	6	154-0223	ELBOW (90 DEGREE) - 1/4 NPT X 1/4" TUBE
9	7	154-8817	MANUAL VENT VALVE ASSEMBLY
9	8	154-0224	MALE CONNECTOR - 1/4" TUBE X 1/8 NPT
9	9	154-1209	VALVE-24V DC 3-WAY (1/8" NPT)
9	10	154-0609	MAGNETIC CATCH FOR SPLASH GUARD
9	11	154-0202B	PENCIL TUBING STOCK-3/16" OD X 1/16" ID
9	12	154-0248	REDUCING UNION CONNECTOR-1/4" X 3/16"
9	13	154-1225	PRESSURE GAUGE (0-30 PSI) - 1-1/2 DIA
9	14	154-6257	MOUNTING ANGLE FOR OIL PRESSURE GAUGE
9	15	153-0815	UNION TEE (1/4 X 1/4 X 1/4-QUICK DISC)
9	16	154-8660	PULSE SUPPRESSER TUBING KIT-STD (9.25")
9	17	154-0238	SWIVEL ELBOW - 1/4" TUBE X 1/8 NPT
9	18	154-9208	PULLEY (12XL-5/16" BORE W/SET SCREW)
9	19	154-1214	FLUID METERING PUMP-0.05 ML/STROKE
9	20	154-6223A	MOUNTING ANGLE - PUMP & MOTOR (#4-LEFT)
9	21	154-9202A	BELT FOR METERING PUMP (130XL037) 60 HZ
9	21	154-9215	BELT FOR METERING PUMP (140XL037) 50 HZ
9	22	154-6287	GUARD FOR PUMP & MOTOR
9	23	154-8604	MOTOR FOR METERING PUMP 115V
9	23	154-8604E	MOTOR FOR METERING PUMP 230V
9	24	154-9607	PULLEY (24XL 5/16" BORE W/SET)
9	24	154-9614	PULLEY (30XL 5/16" BORE W/SET)
9	25	154-0256	ELBOW - 3/8 TUBE OD x 3/8 TUBE
9	26	154-0218	GROMMET - 7/16 X 11/16 (1/4" PANEL)
9	27	154-0202	PUMP TUBING STOCK (3/8" OD X 1/4" ID)
9	28	154-1617	FLOAT FOR PLASTIC TANK

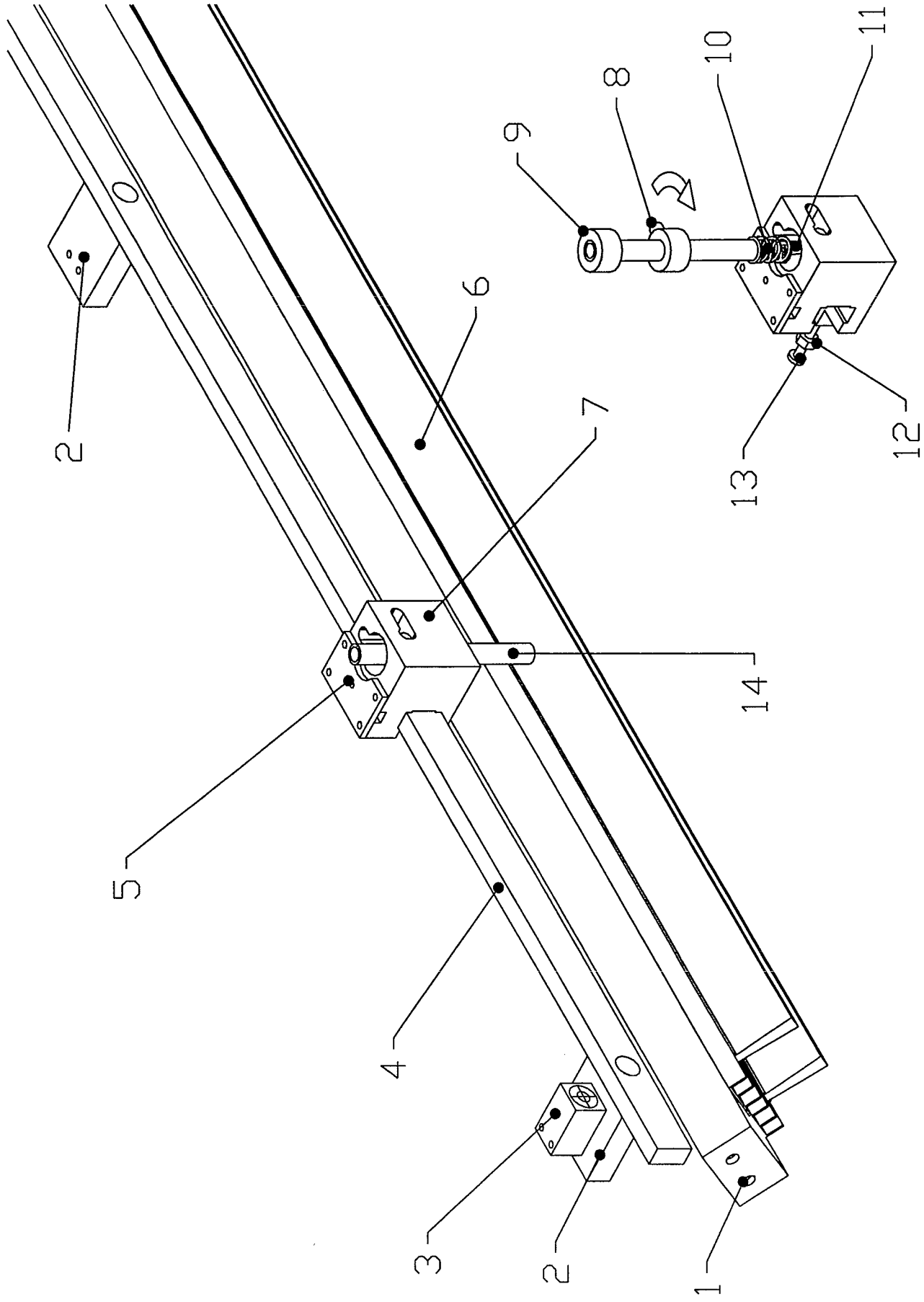


FIGURE 10

FIGURE NUMBER	INDEX NUMBER	PART NUMBER	PART NAME & DESCRIPTION
<b>FIGURE 10 PART NUMBERS</b>			
10	1	154-6862	BRUSH TRACK MOUNT - KUSTODIAN PLUS
10	2	154-6872	HEAD DRIVE MOUNT BAR
10	3	154-1220	INDUCTIVE PROXIMITY SENSOR
10	4	154-6647A	SLIDING HEAD BAR
10	5	154-6646	HEAD BELT MOUNT PLATE
10	6	154-0866	TRANSFER BRUSH ASSEMBLY
10	7	154-6893	OIL HEAD - ADJUSTABLE TIP ANGLE
10	8	153-2051	SET SCREW - 1/4-20 X 1/2
10	9	153-2804	COLLAR - 3/8 X 3/4 X 3/8
10	10	153-2713	SPRING - OIL TIP RETAINER
10	11	154-6832	OIL PENCIL TIP - ALUMINUM
10	12	153-2022	HEX NUT - 10-24
10	13	153-2928	MS - PHILLIPS - 8-32 X 1-3/4 (PAN HEAD)
10	14	154-6887	OIL HOSE AND TIP HOLDER

FIGURE 10  
KUSTODIAN PLUS

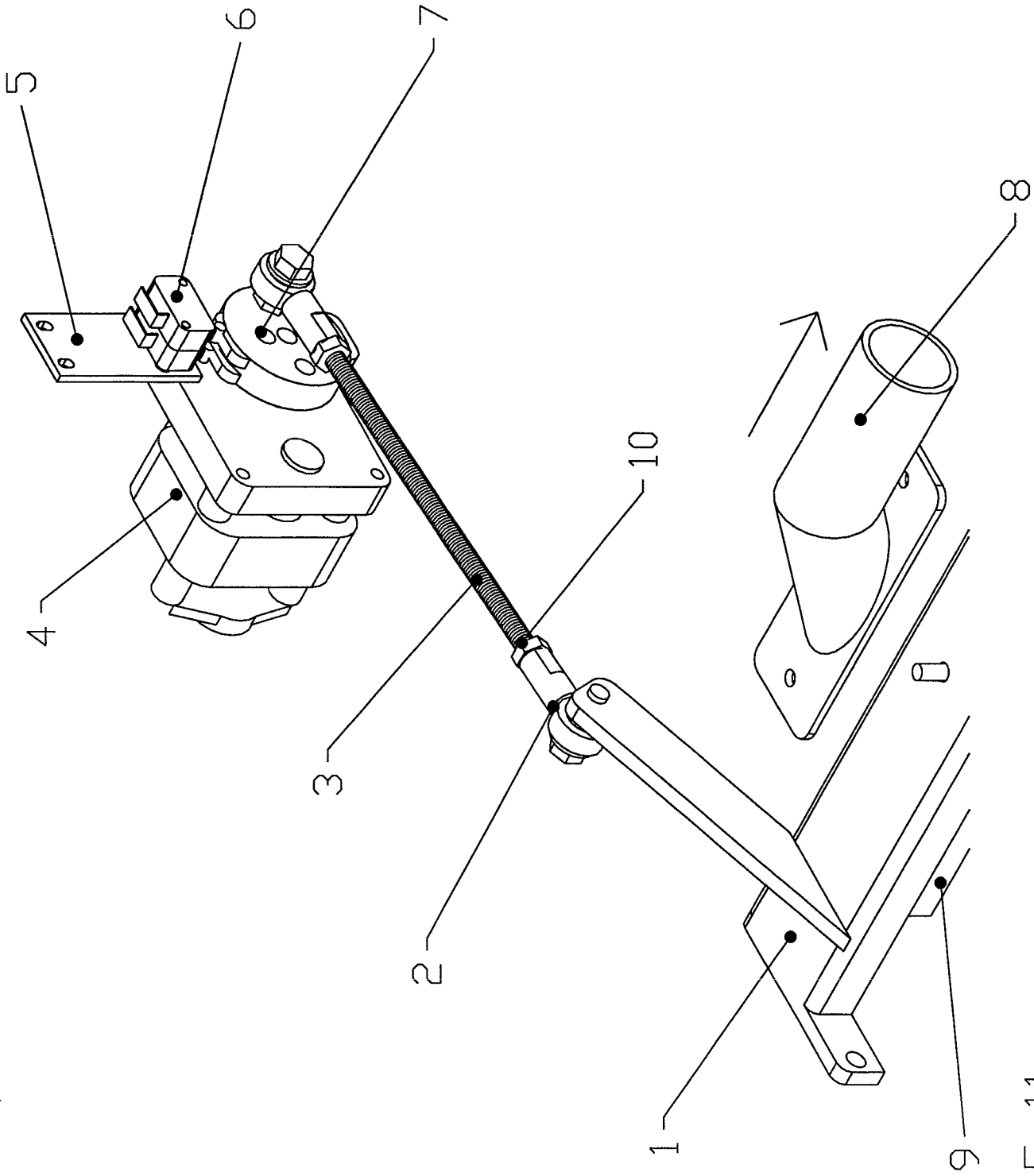


FIGURE 11

FIGURE NUMBER	INDEX NUMBER	PART NUMBER	PART NAME & DESCRIPTION
<b>FIGURE 11 PART NUMBERS</b>			
11	1	154-6339-2915	SQUEEGEE MOUNT ANGLE
11	2	153-0211	SQUEEGEE ROD END WITH FITTING (ON MOTOR)
11	3	154-0031	5/16-24 ALLTHREAD STOCK
11	4	153-8207	BRAKE MOTOR ASSEMBLY (25 RPM-115 VOLT)
11	4	153-8807H	BRAKE MOTOR ASSEMBLY (25 RPM-230V 50 Hz)
11	5	154-6824	BRUSH CAM SWITCH PLATE
11	6	153-1203	MICROSWITCH W/ ROLLER
11	7	154-6243	MOTOR CAM - DUAL LOBES
11	8	154-6677	SQUEEGEE HOSE ADAPTER
11	9	153-0202	SQUEEGEE ASSEMBLY - BLUE
11	9	153-0202B	SQUEEGEE REPLACEMENT BLADES - BLUE
11	10	153-2214	JAM NUT - 5/16-24



LEFT SIDE

RIGHT SIDE

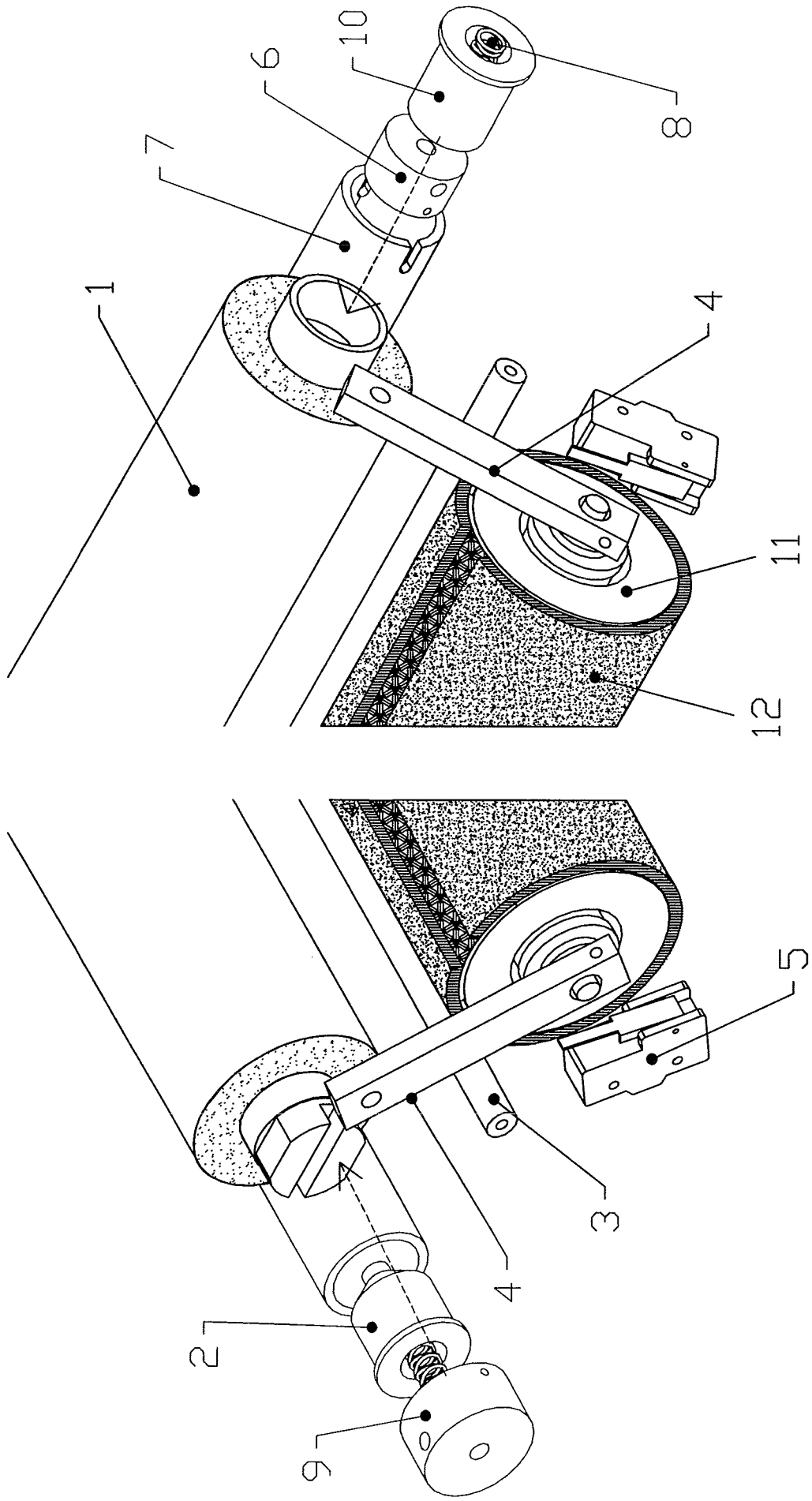


FIGURE 12

FIGURE NUMBER	INDEX NUMBER	PART NUMBER	PART NAME & DESCRIPTION
<b>FIGURE 12 PART NUMBERS</b>			
12	1	153-0047P	K2 DUSTER CLOTH - (WHITE - SOLD BY CASE)
12	2	153-6850	UHMW DUSTER PLUG FOR CARDBOARD CORE
12	3	153-6825	DUSTER CLOTH ROUTING BAR (SS) - (OPTIONAL)
12	4	153-8420	CUSHION ROLLER PIVOT ARM ASSEMBLY
12	5	154-1603	MICROSWITCH-WITHOUT ROLLER (LARGE)
12	6	153-8202B	DUSTER SOLID DRIVE HUB (PVC-1/4-28)
12	7	153-8824	PVC TAKE-UP REEL ASSEMBLY (44-3/4")
12	8	153-2808	SPRING - 0.42 OD X 1.25 (DUSTER PLUG)
12	9	153-8201B	DUSTER DRIVE HUB ASSEMBLY (1/4-28)
12	10	153-6853	UHMW DUSTER PLUG FOR PVC TAKE-UP REEL
12	11	153-8839	CUSHION ROLLER (STEEL=44-3/8) WITH PAD
12	12	154-8889	CUSHION ROLLER PAD ASSEMBLY

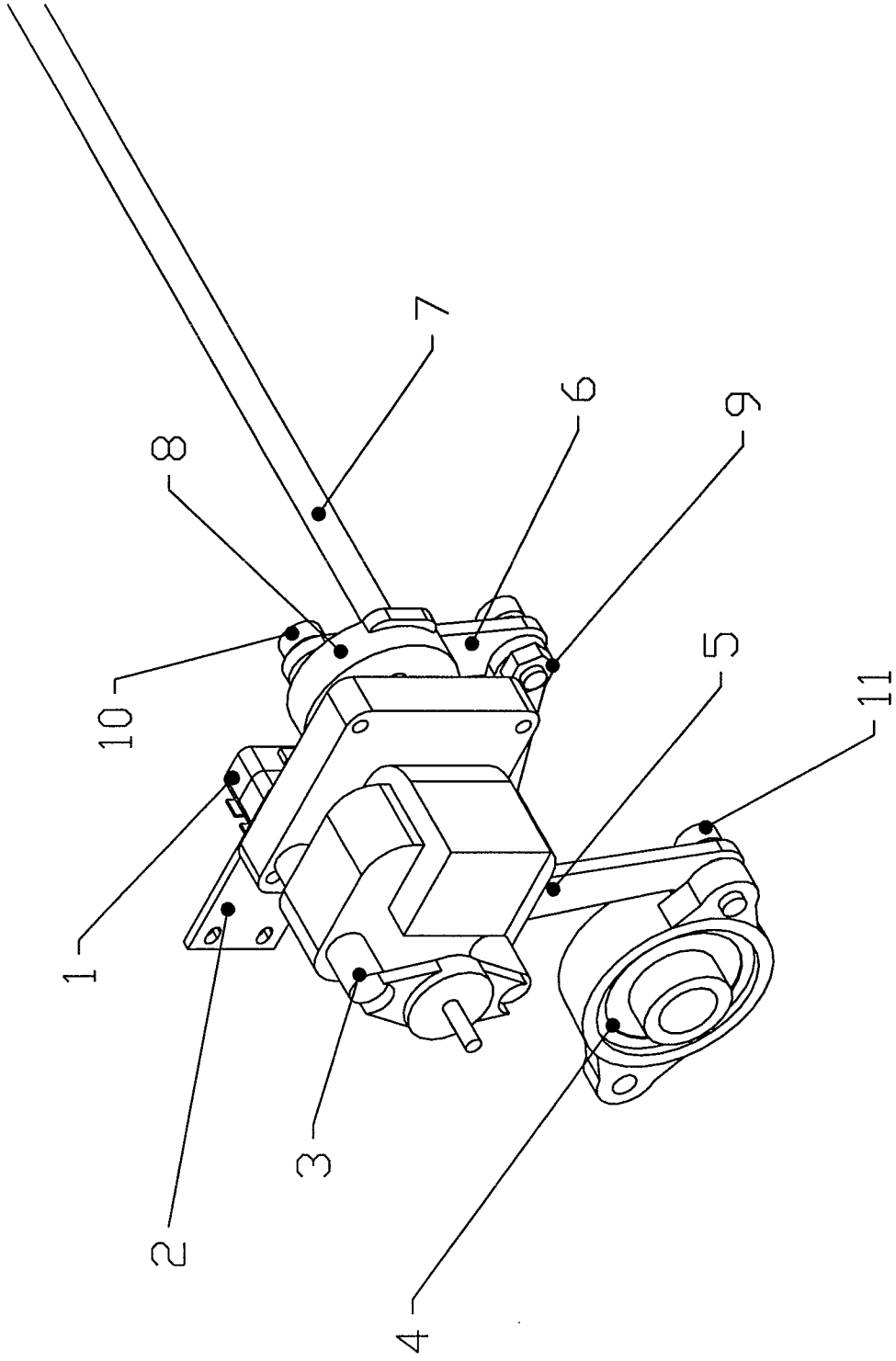


FIGURE 13

FIGURE NUMBER	INDEX NUMBER	PART NUMBER	PART NAME & DESCRIPTION
<b>FIGURE 13 PART NUMBERS</b>			
13	1	153-1203	MICROSWITCH-WITH ROLLER (SQUEEGEE/BRUSH)
13	2	154-6824	BRUSH CAM SWITCH PLATE
13	3	153-8207	BRAKE MOTOR ASSEMBLY (25 RPM-115 VOLT)
13	3	153-8807H	BRAKE MOTOR ASSEMBLY (25 RPM-230V 50 Hz)
13	4	154-8640	FLANGED BEARING-STD BRUSH (3/4" ROTATED)
13	5	154-8638	BUFFER BRUSH LIFTING LINK - LEFT
13	5	154-8639	BUFFER BRUSH LIFTING LINK - RIGHT (NOT SHOWN)
13	6	154-8837	CAM TO BRUSH LIFTING ROD LINK ASSEMBLY
13	7	154-8637	BUFFER BRUSH LIFTING ASSEMBLY
13	8	154-6243	MOTOR CAM-DUAL LOBES (STACKED SWITCHES)
13	9	153-2027A	JAM NUT - 5/16-18
13	10	153-2801	SHOULDER BOLT-3/8 X 3/8 (5/16-18)
13	11	153-2801A	SHOULDER BOLT-3/8 X 3/8-CUT (5/16-18)

FIGURE 13  
KUSTODIAN PLUS



FIGURE NUMBER	INDEX NUMBER	PART NUMBER	PART NAME & DESCRIPTION	QUANTITY NEEDED
1	1	154-8818	SPLASH GUARD ASSEMBLY	1
		ATTACHING PARTS		
		153-2004	FLAT WASHER - 1/4	2
		153-2014	LOCK WASHER - 1/4	2
		153-2603	HHCS - 1/4-20 X 3/4	2
1	2	154-1250	EMERGENCY STOP CIRCUIT BREAKER ASSEMBLY	1
		ATTACHING PARTS		
		153-2001	FLAT WASHER - #6	2
		153-2018	LOCKNUT - 6-32 (NYLOK)	2
		153-2084	MS PHILLIPS - 6-32 X 1	2
1	3	154-8806	KEYPAD ASSY	1
		ATTACHING PARTS		
		154-0801	KEYBOARD DECAL - KUSTODIAN	1
1	4	154-1225	PRESSURE GAUGE (0-30 PSI) - 1-1/2 DIA	1
		USE TEFLON TAPE		
		ATTACHING PARTS		
		154-0257	FEMALE CONNECTOR - 1/4" TUBE x 1/8 FPT	1
1	5	154-6221	MOUNTING ANGLE - HEAVY CASTER (3x3.625)	4
1	6	154-8823	LANE TO LANE HANDLE ASSEMBLY	1
		ATTACHING PARTS		
		153-2006	FLAT WASHER - 3/8	4
		153-2027	JAM NUT - 3/8-16	2
		153-2815	HHCS - 3/8-16 X 2-1/4 (GRADE 8)	2
		153-6851	UHMW HANDLE SPACER	2
		153-2021A	LOCKNUT - 3/8-16 (STOVER)	1
1	7	154-8805	VACUUM MOTOR ASSEMBLY	1
		154-8805E	VACUUM MOTOR ASSEMBLY	1
1	8	154-8625	VACUUM MOTOR HOUSING - ALUMINUM	1
		ATTACHING PARTS		
		153-2004	FLAT WASHER - 1/4	4
		153-2014	LOCK WASHER - 1/4	2
		153-2023	HEX NUT - 1/4-20	2
		153-2052	HHCS - 1/4-20 X 7/8	2
1	9	154-0260	FLEXIBLE VACUUM HOSE STOCK (1-1/2" ID)	INCH
1	10	153-8827T	1-1/4 PVC ELBOW-TANK INLET (NO THREADS)	2
1	11	153-8403	BRAKE MOTOR ASSEMBLY (7RPM - 115V)	1
		153-8808H	BRAKE MOTOR ASSEMBLY (7RPM - 230V 50Hz)	1
		ATTACHING PARTS		
		153-2604	MS FLAT PHILLIPS - 10-32 X 1/2	2
		153-2091	MS PHILLIPS - 10-32 X 3/4	6
		153-2003	FLAT WASHER - #10	6
		153-2013	LOCK WASHER - #10	6
1	12	153-8824	PVC TAKE-UP REEL ASSEMBLY (44-3/4")	1
1	13	153-6029	MOMENTARY WHEEL HOUSING	2
		ATTACHING PARTS		
		153-2005	FLAT WASHER - 5/16	4
		153-2015	LOCK WASHER - 5/16	2
		153-2024	HEX NUT - 5/16-18	2
		153-2061	HHCS - 5/16-18x1	2
1	14	153-6437	PUSH BUTTON MOUNTING PLATE	1
		ATTACHING PARTS		
		153-2013	#10 LOCK WASHER	2
		153-2086A	MS PHILLIPS - 8-32 X 3/8	2
1	15	154-8824	PUSH BUTTON REPLACEMENT HARNESS	1
		ATTACHING PARTS		
		153-1209	BUTTON GUARD	1

FIGURE NUMBER	INDEX NUMBER	PART NUMBER	PART NAME & DESCRIPTION	QUANTITY NEEDED
1	16	153-1209	BUTTON GUARD	1
1	17	154-8683	POLYETHYLENE RECOVERY TANK ASSEMBLY (2002)	1
			ATTACHING PARTS	
		153-2406	HOSE CLAMP (1-1/2")	4
		153-8827	1-1/4 PVC ELBOW FOR RECOVERY TANK INLET (NO THREADS)	2
		154-0260	FLEXIBLE HOSE STOCK FOR VACUUM (1-1/2" ID)	28"
		154-0607	PVC ELBOW - 1-1/2 BARB X 1-1/2 BARB	1
1	18	153-8311	MOMENTARY WHEEL ASSEMBLY (URETHANE)	2
			ATTACHING PARTS	
		153-2049	SET SCREW - 8-32 X 3/16	1
		153-6006	MOMENTARY LANE ROLLER SHAFT	1
1	19	154-1603	MICROSWITCH - WITHOUT ROLLER (LARGE)	
			ATTACHING PARTS	
		153-2084	MS PHILLIPS - 6-32 X 1	4
		153-2001	FLAT WASHER - #6	4
		153-2018	LOCKNUT - 6-32 (NYLOK)	8
1	20	154-1603	MICRO SWITCH - WITHOUT ROLLER (LARGE)	
			FOR ATTACHING PARTS SEE FIG 1:19	
1	21	154-8616A	BUFFER MOTOR ASSEMBLY (115V-AC ONLY)	1 on 115V
		154-8616E	BUFFER MOTOR ASSEMBLY (230V-AC ONLY)	1 on 230V
			ATTACHING PARTS	
		153-2006	FLAT WASHER - 3/8	4
		153-2016	LOCK WASHER - 3/8	4
		153-2066	HHCS - 3/8-16 X 1	4
1	22	154-1220	INDUCTIVE PROXIMITY SENSOR (TL-Q5MC1)	4
1	23	154-6872	HEAD DRIVE MOUNT BAR	
1	24	154-6357	LATCH FOR SPLASH GUARD	
1	25	154-6356	MOUNT BLOCK FOR LATCH	
1	26	153-0001	TRANSPORT CASTER (3" DUAL WHEEL)	
1	27	154-6687	SPRING RETAINER PLATE	1
2	1	153-7002AA	LANE DISTANCE COUNTER WHEEL-TREADED (2")	2
			ATTACHING PARTS	
		153-2050	SET SCREW - 1/4-28 X 3/8	2
2	2	154-8619	PILLOWBLOCK-LANE DISTANCE (LEFT-FLANGED)	1
			ATTACHING PARTS	
		153-2005	FLAT WASHER - 5/16	2
		153-2015	LOCK WASHER - 5/16	2
		153-2602	HHCS - 5/16-18 X 3/4	2
2	3	153-6417	GUIDE ROLLER MOUNT BLOCK	1
2	4	154-9615	T-BELT 255L050 (BUFFER MOTOR)	
2	5	154-6651	FRONT GUIDE ROLLER MOUNT	2
			ATTACHING PARTS	
		153-2004	FLAT WASHER - 1/4	2
		153-2014	LOCK WASHER - 1/4	2
		153-2023	HEX NUT - 1/4-20	2
		153-2052A	BHSS - 1/4-20 X 7/8	2
2	6	153-2401	SPRING - 0.54 OD X 0.75 (GUIDE ROLLER)	4
2	7	154-0866	TRANSFER BRUSH ASSEMBLY	1

FIGURE NUMBER	INDEX NUMBER	PART NUMBER	PART NAME & DESCRIPTION	QUANTITY NEEDED
2	8	153-0812	TRANSPORT CASTER - 2" HEAVY DUTY (3/8")	
		ATTACHING PARTS		
		153-2006	FLAT WASHER - 3/8	2
		153-2016	LOCK WASHER - 3/8	1
		153-2025	HEX NUT - 3/8-16	1
		153-2067	HHCS - 3/8-16 X 1-1/4	1
2	9	153-8838	CUSHION ROLLER ASSEMBLY WITH STEMS	1
2	10	153-0202	COMPLETE SQUEEGEE ASSEMBLY (2-PIECE BLUE)	1
		ATTACHING PARTS		
		153-2004	FLAT WASHER - 1/4	2
		153-2014	LOCK WASHER - 1/4	2
		153-2023	HEX NUT - 1/4-20	2
2	11	154-8803	DRIVE SHAFT PILLOWBLOCK	2
		ATTACHING PARTS		
		153-2006	FLAT WASHER - 3/8	2
		153-2016	LOCK WASHER - 3/8	2
		153-2066	HHCS - 3/8-16x1	2
2	12	154-0202A	PENCIL TUBING STOCK - 1/4" OD x 1/8" ID	INCH
2	13	153-9814	DRIVE CHAIN - (40P33)	1
2	14	153-9003	SPROCKET	1
2	15	153-7013	URETHANE BLEND LANE DRIVE WHEEL (4")	
2	16	154-6875	HEAD IDLER MOUNT BLOCK	1
2	17	154-6879	CLEANER HEAD DRIVE SHAFT	1
2	18	154-8007	SIDE PLATE PILLOWBLOCK FOR DRIVE SHAFT	2
		ATTACHING PARTS		
		153-2006	FLAT WASHER - 3/8	6
		153-2015	LOCK WASHER - 3/8	4
		153-2024	HEX NUT - 3/8-16	4
		153-2068	HHCS - 3/8-16 X 1-1/2	2
		153-2805A	FHSS - 3/8-16 X 1-1/2	2
2	19	154-6652	GUIDE ROLLER MOUNT BLOCK	2
2	20	153-8410	LANE EDGE GUIDE ROLLER W/BUSHING (1/2")	
2	21	154-6873	SKID GUIDES	
2	22	154-8640	FLANGED BEARING FOR BUFFER BRUSH (3/4" ROTATED)	2
		ATTACHING PARTS		
		153-2009	NYLON FLAT WASHER (3/8 - 0.060)	1
		153-2801	SHOULDER BOLT - 3/8 X 3/8 (5/16-18) BRUSH LIFT	1
2	23	154-8621	PILLOWBLOCK - LANE DISTANCE (RIGHT FLANGE)	1
2	24	154-8641	BUFFER BRUSH (BLUE 3-3/4" x 48)	1
		ATTACHING PARTS		
		153-2707	SHCS - 5/16-24 x 3/4	1
		153-2711	FENDER WASHER - 5/16	1
		154-8640	FLANGED BEARING FOR BUFFER BRUSH (3/4" ROTATED)	2
2	25	154-6664	BUFFER BRUSH PULLEY SPACER	1
2	26	154-6820	MAIN DRIVE SHAFT	1
2	27	154-0810	LIFTING HANDLE (SS SPRING-LOADED CHEST)	2
		ATTACHING PARTS		
		153-2003	FLAT WASHER - # 10	3
		153-2208	LOCK NUT - 10-24 NYLOK	3
		153-2301	MS PHILLIPS - 10-24 X 5/8	3
2	28	154-6821	LDS SHAFT	1
2	29	153-9803	FLANGED BUSHING (3/8x1/2x1/4)	1



FIGURE NUMBER	INDEX NUMBER	PART NUMBER	PART NAME & DESCRIPTION	QUANTITY NEEDED
2	30	154-6881	RECOVERY TANK SUPPORT BAR	1
3	1	154-6627	SIDE LIFT HANDLE	2
		ATTACHING PARTS		
		153-2005	FLAT WASHER - 5/16	2
		153-2015	LOCK WASHER - 5/16	2
		153-2061	HHCS - 5/16-18 X 1	2
3	2	154-6628	CASTER/HANDLE MOUNT ANGLE	2
		ATTACHING PARTS		
		153-2006	FLAT WASHER - 3/8	4
		153-2016	LOCK WASHER - 3/8	2
		153-2025	HEX NUT - 3/8-16	2
		153-2067	HHCS - 3/8-16 X 1-1/4	2
3	3	154-6864	CLEANER HEAD DRIVE GUARD	1
		ATTACHING PARTS		
		153-2013	LOCK WASHER - #10	3
		153-2086A	MS PHILLIPS - 8-32 X 3/8	3
3	4	154-8802	SQUEEGEE ADJUSTMENT ARM - RIGHT	1
		ATTACHING PARTS		
		153-2004	FLAT WASHER - 1/4	2
		153-2014	LOCK WASHER - 1/4	2
		153-2023	HEX NUT - 1/4-20	2
		153-2079	FHMS - 1/4-20 X 1	2
		153-2403	COUNTERSUNK LOCK WASHER - 1/4	2
3	5	154-6878	CLEANER HEAD DRIVE SHAFT BLOCK	1
		ATTACHING PARTS		
		153-2004	FLAT WASHER - 1/4	2
		153-2014	LOCK WASHER - 1/4	2
		153-2603	HHCS - 1/4-20 X 3/4	2
3	6	154-9802	PULLEY (27XL 3/8" BORE W/DBL SET)	1
		ATTACHING PARTS		
		154-6879	HHCS - 1/4-20 X 3/4	1
3	7	154-9201C	BELT FOR CLEANER HEAD DRIVE	1
3	8	153-8403	BRAKE MOTOR ASSEMBLY (7 RPM - 115V)	1
3	8	153-8803H	BRAKE MOTOR ASSEMBLY (7 RPM - 230V 50Hz)	1
		ATTACHING PARTS		
		153-2091	MS PHILLIPS - 10-32 X 3/4	4
		153-2003	FLAT WASHER - #10	4
		153-2013	LOCK WASHER - #10	4
3	9	154-6629	SIDE LIFT HANDLE MOUNT	1
		ATTACHING PARTS		
		153-2005	FLAT WASHER - 5/16	2
		153-2015	LOCK WASHER - 5/16	2
		153-2061	HHCS - 5/16-18 X 1	2
3	10	154-6889	CLEANER HOSE ROUTING BAR	1
		ATTACHING PARTS		
		153-2003	FLAT WASHER - #10	2
		153-2013	LOCK WASHER - #10	2
		123-2301	MS PHILLIPS - 10-24 X 5/8	2
3	11	153-8827T	1-1/4" PVC ELBOW FOR TANK INLET (NO THREADS)	1
3	12	154-8683	POLYETHYLENE RECOVERY TANK ASSEMBLY (2002)	1
3	13	154-6879	CLEANER HEAD DRIVE SHAFT	1
3	14	154-6698	LID MOUNT PLATE	1
		ATTACHING PARTS		
		153-2019	LOCKNUT - 8-32 (NYLOK)	2
		153-2824	FLAT HEAD PHILLIPS 8-32 X 7/8	2
		153-2002	FLAT WASHER - #8	2

FIGURE NUMBER	INDEX NUMBER	PART NUMBER	PART NAME & DESCRIPTION	QUANTITY NEEDED
3	15	154-1250	EMERGENCY STOP CIRCUIT BREAKER ASSEMBLY	1
3	16	154-6875	HEAD IDLER MOUNT BLOCK	1
3	17	154-9201	BELT FOR CONDITIONER HEAD DRIVE (XL025 - 9 FT)	1
3	18	154-6041	UHMW HANDLE STOP	2
		ATTACHING PARTS		
		153-2004	FLAT WASHER - 1/4	4
		153-2014	LOCK WASHER - 1/4	2
		153-2023	HEX NUT - 1/4-20	2
		153-2053A	BHSS - 1/4-20 x 1	2
3	19	154-9805	PULLEY - 32XL037 - 33/8 BORE W/ DBL SET	1
		ATTACHING PARTS		
		154-6879	CLEANER HEAD DRIVE SHAFT	1
3	20	153-6851	UHMW HANDLE SPACER	2
3	21	153-2818	HHCS - 3/8-16 x 2-1/2 (GRADE 8)	2
		ATTACHING PARTS		
		153-2006	FLAT WASHER - 3/8	2
		153-2016	LOCK WASHER - 3/8	1
		153-2025	HEX NUT - 3/8-16	1
		153-2027	JAM NUT - 3/8-16	1
3	22	153-0001	TRANSPORT CASTER (3" DUAL WHEEL)	4
		ATTACHING PARTS		
		153-2007	FLAT WASHER - 1/2	2
		153-2017	LOCK WASHER - 1/2	1
		153-2026	HEX NUT - 1/2-13	1
		153-2073A	HHCS - 1/2-13 x 1-1/2	1
3	23	154-6042	UHMW WHEEL - CORNER GUARD	2
		ATTACHING PARTS		
		153-2004	FLAT WASHER - 1/4	2
		153-2020A	LOCKNUT - 1/4-20 (STOVER)	1
		153-2023	HEX NUT - 1/4-20	1
		153-2053	HHCS - 1/4-20 x 1	1
3	24	154-6221	MOUNTING ANGLE - HEAVY DUTY CASTER (3 x 3.625)	2
		ATTACHING PARTS		
		153-2006	FLAT WASHER - 3/8	4
		153-2016	LOCK WASHER - 3/8	2
		153-2025	HEX NUT - 3/8-16	2
		153-2067	HHCS - 3/8-16 x 1-1/4	2
3	25	154-8640	FLANGED BEARING FOR BUFFER BRUSH (3/4" ROTATED)	2
		ATTACHING PARTS		
		153-2009	NYLON FLAT WASHER (3/8 - 0.060)	1
		153-2801	SHOULDER BOLT - 3/8 x 3/8 (5/16-18) BRUSH LIFT)	1
3	26	154-6863	OIL HEAD IDLER GUARD	1
		ATTACHING PARTS		
		153-2013	LOCK WASHER - #10	2
		153-2086A	MS PHILLIPS - 8-32 X 3/8	2
3	27	154-6884	6 TOOTH SENSOR DISK	1
		ATTACHING PARTS		
		154-6879	CLEANER HEAD DRIVE SHAFT	1
3	28	154-1220	INDUCTIVE PROXIMITY SENSOR (TL-Q5MC1)	1
3	29	153-6412	DUSTER MOTOR SHIELD (7 RPM)	2

FIGURE NUMBER	INDEX NUMBER	PART NUMBER	PART NAME & DESCRIPTION	QUANTITY NEEDED
3	30	153-8207	BRAKE MOTOR ASSEMBLY (25 RPM - 115V)	2 on 115v
3	30	153-8807H	BRAKE MOTOR ASSEMBLY (25 RPM - 230V 50 Hz)	2 on 230v
		ATTACHING PARTS		
		153-2604	MS FLAT PHILLIPS - 10-32 x 1/2	1
		153-2091	MS PHILLIPS - 10-32 X 3/4	3
		153-2003	FLAT WASHER - #10	3
		153-2013	LOCK WASHER - #10	3
4	1	153-6412	DUSTER MOTOR SHIELD (7 RPM)	2
4	2	154-6221	MOUNTING ANGLE - HEAVY DUTY CASTER (3 x 3.625)	2
		FOR ATTACHING PARTS SEE FIG. 3:24		
	3	154-6042	UHMW WHEEL - CORNER GUARD	2
		FOR ATTACHING PARTS SEE FIG. 3:23		
4	4	153-0001	TRANSPORT CASTER (3" DUAL WHEEL)	4
		FOR ATTACHING PARTS SEE FIG. 3:22		
4	5	153-8207	BRAKE MOTOR ASSEMBLY (25 RPM-115 VOLT)	2 on 115V
4	5	153-8807H	BRAKE MOTOR ASSEMBLY (25 RPM-230V 50 Hz)	2 on 230V
		ATTACHING PARTS		
		153-2604	MS FLAT PHILLIPS - 10-32 X 1/2	4
4	6	153-2818	HHCS - 3/8-16 X 2-1/2 (GRADE 8)	2
		FOR ATTACHING PARTS SEE FIG. 3:17		
4	7	153-6851	UHMW HANDLE SPACER	2
4	8	154-6041	UHMW HANDLE STOP	2
		FOR ATTACHING PARTS SEE FIG. 3:15		
4	9	154-6876	HEAD DRIVE MOTOR MOUNT	
		ATTACHING PARTS		
4	10	154-1206	GEARBOX FOR HEAD DRIVE MOTOR (5:1 RATIO)	1
4	11	154-1208	MOTOR CAPACITOR (6.0 Mf)	1
4	11	154-1208B	MOTOR CAPACITOR (105 Mf)	1
4	12	154-6698	LID MOUNT PLATE	1
4	13	153-1823	FLANGED TWISTLOCK INLET - 125V/20A	2 on 115V
4	13	153-1826	FLANGED TWISTLOCK INLET - 250V/20A	2 on 230V
		ATTACHING PARTS		
		153-2002	FLAT WASHER - #8	3
		153-2019	LOCKNUT - 8-32 (NYLOK)	3
		153-2086	MS PHILLIPS - 8-32 X 5/8	3
4	14	154-6629	SIDE LIFT MOUNT HANDLE	2
		ATTACHING PARTS		
4	15	153-8403	COIL-BRAKE MOTOR ASSEMBLY (7 RPM-115 VOLT)	1 on 115V
4	15	153-8803H	COIL-BRAKE MOTOR ASSEMBLY (7 RPM-230V 50 Hz)	1 on 230V
		ATTACHING PARTS		
4	16	154-6628	CASTER/HANDLE MOUNT ANGLE	2
		ATTACHING PARTS		
		153-2006	FLAT WASHER - 3/8	4
		153-2016	LOCK WASHER - 3/8	2
		153-2025	HEX NUT - 3/8-16	2
		153-2067	HHCS - 3/8-16 X 1-1/4	2
4	17	154-8801	SQUEEGEE ADJUSTMENT ARM - LEFT	1
		ATTACHING PARTS		
		153-2004	FLAT WASHER - 1/4	2
		153-2014	LOCK WASHER - 1/4	2
		153-2023	HEX NUT - 1/4-20	2
		153-2079	FHMS - 1/4-20 X 1	2

FIGURE NUMBER	INDEX NUMBER	PART NUMBER	PART NAME & DESCRIPTION	QUANTITY NEEDED
4	18	154-6627	SIDE LIFT HANDLE	2
			FOR ATTACHING PARTS SEE FIG. 3:6	
		153-2005	FLAT WASHER - 5/16	2
		153-2015	LOCK WASHER - 5/16	2
		153-2061	HHCS - 5/16-18 X 1	2
4	19	153-0812	TRANSPORT CASTER - 2" HEAVY DUTY (3/8")	1
			ATTACHING PARTS	
		153-2006	FLAT WASHER - 3/8	2
		153-2016	LOCK WASHER - 3/8	1
		153-2025	HEX NUT - 3/8-16	1
		153-2067	HHCS - 3/8-16 X 1-1/4	1
4	20	154-6717	5 - TOOTH SENSOR DISK - ALUMINUM (3/8 BORE)	1
			ATTACHING PARTS	
		153-2201	SET SCREW - 10-32 X 3/8	1
4	21	154-1220	INDUCTIVE PROXIMITY SENSOR (TL-Q5MC1)	2
4	22	154-6266	GUARD - TIMING DISK (LDS & TACH) ALUMINUM	1
			ATTACHING PARTS	
4	23	153-9013	BUFFER MOTOR PULLEY (10L050 - 1/2")	1
4	24	154-9615	T-BELT 255L050 (BUFFER MOTOR)	1
4	25	154-6841	BUFFER IDLER MOUNT BAR	1
			ATTACHING PARTS	
		153-2805	FHSS - 3/8 X 1-1/4	1
4	26	154-8839	BUFFER IDLER ASSEMBLY	1
			ATTACHING PARTS	
		153-2739	SHOULDER BOLT - 3/8 X 1 (5/16 THREAD)	2
		154-6841	BELT IDLER MOUNT BAR	1
4	27	153-9014	BUFFER PULLEY (24L050-3/4")	1
4	28	154-9205B	PULLEY (28XL 3/8" BORE W/DBL SET)	1
4	28	154-9205D	PULLEY (24XL 3/8" BORE W/DBL SET)	1
5	1	153-1028	PANEL-MOUNT FUSE HOLDER - UL (COMPLETE)	9 on 115V
5	1	153-1028E	PANEL-MOUNT FUSE HOLDER - IEC (COMPLETE)	9 on 230V
5	2	154-1273	FUSE (10A MDL)	1 on 115V
5	2	153-1810	CIRCUIT BREAKER - SPST (8 AMP)	1 on 230V
5	3	154-1262	FUSE - TIME DELAY (0.75A MDL) UL	2 on 115V
5	3	154-1260E	FUSE - TIME DELAY (GDC-315mA) IEC	2 on 230V
5	4	154-1268C	FUSE - TIME DELAY (4A ABC) UL - CERAMIC	2 on 115V
5	4	154-1267E	FUSE - TIME DELAY (GDA-4A) IEC - CERAMIC	2 on 230V
5	5	154-1261	FUSE - TIME DELAY (.5A MDL) UL	2 on 115V
5	5	154-1261E	FUSE - TIME DELAY (GDC-500MA) IEC	2 on 230V
5	6	154-1268	FUSE - TIME DELAY (4A MDL) UL	1 on 115V
5	6	154-1268E	FUSE - TIME DELAY (GDC-4A) IEC	1 on 230V
5	7	154-1610	CIRCUIT BREAKER - DPST (15A)	1 on 115V
5	7	154-1272	CIRCUIT BREAKER - DPST (10A)	1 on 230V
5	8	154-0808	TOGGLE SWITCH STICKER	1
5	9	153-1009	TOGGLE SWITCH (DPDT)	1
5	10	153-1209	BUTTON GUARD	1
5	11	153-1809C	DIN RAIL (8-1/4")	1
			ATTACHING PARTS	
		153-2034	ALUMINUM RIVET - 0.187 X 0.450 X 0.375)	2
		153-2035	BLIND RIVET WASHER - 3/16	2

FIGURE NUMBER	INDEX NUMBER	PART NUMBER	PART NAME & DESCRIPTION	QUANTITY NEEDED
5	12	153-1004	BUFFER MOTOR CONTACTOR (115 VOLT)	1 on 115V
5	12	153-1604	BUFFER MOTOR CONTACTOR (230 VOLT)	1 on 230V
5	13	154-1801	MICROPROCESSOR - CPM2A	1
5	14	153-1809B	DIN RAIL (9-7/8")	1
5	15	153-1407	LY4 RELAY BASE	1 on 115V
		ATTACHING PARTS		
		153-2019	LOCKNUT - 8-32 (NYLOK)	2
		153-2507	FHMS PHILLIPS - 8-32 x 3/4	2
5	16	153-1406	LY4 RELAY (115V)	1
5	16	154-1611	LY4 RELAY (230V)	1
		ATTACHING PARTS		
		153-1020	RELAY CLAMPS	1 PR
5	17	153-1018	LY3 RELAY (115V)	1
5	17	153-1618	LY3 RELAY (230V)	1
		ATTACHING PARTS		
		153-1020	RELAY CLAMPS	1 PR
5	18	153-1019	LY3 RELAY BASE	1
		ATTACHING PARTS		
		153-2019	LOCKNUT - 8-32 (NYLOK)	2
		153-2507	FHMS PHILLIPS - 8-32 x 3/4	2
5	19	153-1016	LY2 RELAY (115V)	1
5	19	153-1616	LY2 RELAY (230V)	1
		ATTACHING PARTS		
		153-1020	RELAY CLAMPS	1 PR
5	20	154-1835	RELAY ASSEMBLY - COMPLETE (W/RELAY)	5
5	21	154-1830	RELAY BASE SEPARATOR PLATE	2
5	22	15-1016D	LY2 RELAY - (24V DC)	3
		ATTACHING PARTS		
		153-1020	RELAY CLAMPS	1 PR
5	23	153-1020	RELAY CLAMPS	6 PR
5	24	153-1017	LY2 RELAY BASE	8
		ATTACHING PARTS		
		153-2019	LOCKNUT - 8-32 (NYLOK)	2
		153-2507	FHMS PHILLIPS - 8-32 x 3/4	2
5	25	154-0807P	FUSE PANEL STICKER	1
5	26	154-8810	CIRCUIT BOARD ASSEMBLY (115V)	1
5	26	154-8811	CIRCUIT BOARD ASSEMBLY (230V)	1
5	27	154-6861-2915	PC/RELAY MOUNT PLATE	1
6	1	154-9211	LDS AND TACH SENSOR DRIVE CHAIN (25P29)	1
		ATTACHING PARTS		
		153-9045	25 MASTER LINK	1
6	2	154-9213	SPROCKET - 25B15 (TACH AND LDS DRIVE 1/2" BORE)	1
6	3	153-9010	SPROCKET - 25B15 (TRANSFER DRIVE & LDS - 3/8")	1
6	4	154-8320	PILLOWBLOCK - LANE DISTANCE SHAFT (CENTER-PLAIN)	1
		ATTACHING PARTS		
		153-2005	FLAT WASHER - 5/16	2
		153-2015	LOCK WASHER - 5/16	2
		153-2602	HHCS - 5/16-18 X 3/4	2

FIGURE NUMBER	INDEX NUMBER	PART NUMBER	PART NAME & DESCRIPTION	QUANTITY NEEDED
6	5	154-1220	INDUCTIVE PROXIMITY SENSOR (TL-Q5MC1)	2
		ATTACHING PARTS		
		153-2216A	MS PHILLIPS - 4-40 X 7/8	2
6	6	154-6264	SHAFT FOR TIMING DISK (REMOTE SENSOR)	1
6	7	154-6717	5-TOOTH SENSOR DISK - ALUMINUM (3/8 BORE)	1
		ATTACHING PARTS		
		153-2201	SET SCREW - 10-32 X 3/8	1
7	1	153-1012	DC MOTOR SPEED CONTROL (KBIC-120) W/ RESISTOR	1 on 115V
7	1	153-1812	DC MOTOR SPEED CONTROL (KBIC-240) W/ RESISTOR	1 on 230V
		ATTACHING PARTS		
		153-2019	LOCKNUT - 8-32 (NYLOK)	2
		153-2507	FHMS PHILLIPS - 8-32 X 3/4	2
		153-2002	FLAT WASHER - #8	2
7	2	153-1015	HORSEPOWER RESISTOR (1/4 HP 0.5 OHM)	1
7	3	154-8865	BALDOR DC DRIVE MOTOR ASSEMBLY	1
		ATTACHING PARTS		
		153-2004	FLAT WASHER - 1/4	4
		153-2014	LOCK WASHER - 1/4	4
		153-2052	HHCS - 1/4-20 X 7/8	4
7	4	153-9814	DRIVE CHAIN - (40P33)	1
		ATTACHING PARTS		
		153-9047	#40 MASTER LINK	1
7	5	153-9002	SPROCKET - 40B13 (5/8")	1
8	1	154-9802	PULLEY (27XL 3/8 BORE W/DBL SET)	1
		ATTACHING PARTS		
		153-2030	ACORN NUT - 3/8-16	1
		153-2069	HHCS - 3/8-16 X 2	1
		153-2006	FLAT WASHER - 3/8	3
		153-2016	LOCK WASHER - 3/8	1
		153-2021A	LOCKNUT - 3/8-16 (STOVER)	1
8	2	154-9201C	CLEANER HEAD TIMING BELT	1
8	3	154-6646	HEAD BELT MOUNT PLATE	1
		ATTACHING PARTS		
		153-2081	MS PHILLIPS - 6-32 X 1/2	4
8	4	153-2902	STEEL COLLAR - 1/2 x 1-1/8 x 1/2	1
8	5	154-6885	CLEANER HOSE AND SPRING HOLDER	1
8	6	154-6887	CLEANER HOSE AND TIP HOLDER	1
8	7	154-6882	CLEANER HEAD	1
8	8	154-6877	CLEANER HEAD GUIDE BAR	1
		ATTACHING PARTS		
		153-2004	FLAT WASHER - 1/4	3
		153-2014	LOCK WASHER - 1/4	3
		153-2053	HHCS - 1/4-20 X 1	3
		154-6874	CLEANING HEAD BAR SPACER	3
8	9	154-0867	CLEANER HOSE SPRING (36")	1
8	10	154-6888	CLEANER HOSE SPRING MOUNT BLOCK	2
		ATTACHING PARTS		
		153-2051A	SET SCREW - 1/4-20 X 1/4	4
8	11	154-6889	CLEANER HOSE ROUTING BAR	1
		FOR ATTACHING PARTS SEE: FIG3:10		
8	12	154-0868	CLEANER HOSE AND SPRING RETAINER	1

FIGURE NUMBER	INDEX NUMBER	PART NUMBER	PART NAME & DESCRIPTION	QUANTITY NEEDED
8	13	154-0863	FITTING - MALE LUER TO 1/8" HOSE BARB	1
8	14	154-0862	CLEANER TIP W/CHECK VALVE	1
8	15	154-6865	CLEANER PUMP MOUNT ANGLE	1
8	16	154-6866	CLEANER VALVE MOUNT ANGLE	1
8	17	154-1855	CLEANER VOLUME CONTROL VALVE	1
8	18	154-8874	CLEANER PUMP DRIVE MOTOR (115V)	1 ON 115V
8	18	154-8875	CLEANER PUMP DRIVE MOTOR (230V)	1 ON 230V
8	19	154-0860A	CLEANER PUMP	1
8	20	154-0202A	PENCIL TUBING STOCK - 1/4" OD X 1/8" ID	INCH
8	21	153-0815	UNION TEE (1/4 X 1/4 X 1/4-QUICK DISC)	1
8	22	154-0222	ELBOW - 1/4" STEM X 1/4" TUBING OD	1
8	23	154-0861B	NORPRENE TUBING FOR PUMP	1
8	24	154-0227	ELBOW-TUBE TO HOSE BARB (1/4" X 5/16 ID)	2
8	25	154-0223	ELBOW (90 DEGREE) - 1/4 NPT X 1/4" TUBE	3
8	26	154-8817	MANUAL VENT VALVE ASSEMBLY FOR TANK	1
8	27	154-0832	CAP FOR POLYETHYLENE TANK W/GASKET	INCH
8	28	154-1617	FLOAT FOR PLASTIC TANK	1
8	29	154-8894	CLEANER SUPPLY TANK KUSTODIAN PLUS COMPLETE	1
8	30	154-0212B	FILTER FOR SUPPLY TANK (5" SS) PVC	1
8	31	154-0255	IN-LINE FILTER (1/4 BARB X 1/4 BARB)	1
8	32	154-0244	REDUCER 3/8" TO 1/4"	2
8	33	154-6883	CLEANER VALVE MOUNT ANGLE	1
8	34	154-1851	CLEANER VALVE 110 VOLT	1
8	34	154-1852	CLEANER VALVE 230 VOLT	1
8	35	154-0859	FIXED ELBOW- 1/4 TUBE - 1/8 NPTF (115V)	1
8	35	154-0223	ELBOW (90 DEGREE) - 1/4 NPT X 1/4" TUBE (230V)	1
8	36	154-0224	MALE CONNECTOR - 1/4" TUBE X 1/8 NPT (115V)	2
8	36	154-0858	MALE CONNECTOR-1/4 TUBE-1/4 NPTF (230V)	2
9	1	154-0258	ELBOW - 3/8 STEM X 3/8 TUBE	1
9	2	154-0225	ELBOW - 3/8 TUBE OD X 1/4 NPT	1
9	3	154-0212	TANK FILTER (5" SS) FOR OIL TANK	1
9	4	154-6725	CONDITIONER TANK (NO FITTINGS)	1
9	4	154-8842	CONDITIONER TANK (COMPLETE)	1
		ATTACHING PARTS		
		153-2004	FLAT WASHER - 1/4	2
		153-2014	LOCK WASHER - 1/4	2
		153-2603	HHCS - 1/4-20 X 3/4	2
9	5	154-0832	GARDEN HOSE FITTING CAP W/ GASKET	1
9	6	154-0223	ELBOW (90 DEGREE) - 1/4 NPT X 1/4 TUBE	2
9	7	154-8817	MANUAL VENT VALVE ASSEMBLY	1

FIGURE NUMBER	INDEX NUMBER	PART NUMBER	PART NAME & DESCRIPTION	QUANTITY NEEDED
9	8	154-0224	MALE CONNECTOR - 1/4" TUBE x 1/8 NPT	1
		ATTACHING PARTS		
		154-0226	ELBOW - TUBE TO HOSE BARB (1/4" STEM x 1/4 ID HOSE)	1
9	9	154-1209	VALVE-24V DC 3-WAY (1/8" NPT)	1
		ATTACHING PARTS		
		153-2523	FHMS PHILLIPS - 4-40 X 3/8	2
9	10	154-0609	MAGNETIC CATCH FOR SPLASH GUARD	2
9	11	154-0202B	PENCIL TUBING STOCK-3/16" OD X 1/16" ID	INCH
9	12	154-0248	REDUCING UNION CONNECTOR-1/4" X 3/16"	1
9	13	154-1225	PRESSURE GAUGE (0-30 PSI) - 1-1/2 DIA	1
		USE TEFLON TAPE		
		ATTACHING PARTS		
		154-0257	FEMALE CONNECTOR - 1/4" TUBE x 1/8 FPT	1
9	14	154-6257	MOUNTING ANGLE FOR OIL PRESSURE GAUGE	1
		ATTACHING PARTS		
		153-2087	MS PHILLIPS - 8-32 X 3/4	2
		153-2002	FLAT WASHER - #8	4
		153-2019	LOCKNUT - 8-32 (NYLOK)	2
9	15	153-0815	UNION TEE (1/4 X 1/4 X 1/4 - QUICK DISCONNECT)	1
9	16	154-8660	PULSE SUPPRESSER KIT - PUMP TO METERING VALVE	1
9	17	154-0238	SWIVEL ELBOW - 1/4" TUBE X 1/8 NPT	1
9	18	154-9208	PULLEY - METERING PUMP (12XL-5/16)	1
9	19	154-1214	FLUID METERING PUMP - 0.05 ml/STROKE	1
		ATTACHING PARTS		
		153-2013	LOCK WASHER - #10	2
		153-2086	MS PHILLIPS - 8-32 X 5/8	2
9	20	154-6223A	MOUNTING ANGLE - PUMP & MOTOR	1
		ATTACHING PARTS		
		153-2602	HHCS - 5/16-18 X 3/4	2
9	21	154-9202A	BELT FOR METERING PUMP (130XL037) 115V	1 on 115V
9	21	154-9215	BELT FOR METERING PUMP (140XL037) 230V	1 on 230V
9	22	154-6287	GUARD FOR PUMP & MOTOR	1
		ATTACHING PARTS		
		153-2013	LOCK WASHER - #10	2
		153-2086A	MS PHILLIPS - 8-32 X 3/8	2
9	23	154-8604	MOTOR FOR METERING PUMP 115V (#4)	1 on 115V
		154-8604E	MOTOR FOR METERING PUMP 230V	1 on 230V
		ATTACHING PARTS		
		153-2013	LOCK WASHER - #10	4
		153-2091	MS PHILLIPS - 10-32 X 3/4	4
9	24	154-9607	PULLEY (24XL 5/16" BORE W/SET) 60Hz	1
9	24	154-9614	PULLEY (30XL 5/16" BORE W/SET) 50Hz	1
		ATTACHING PARTS		
		153-2051A	SET SCREW - 1/4-20 X 1/4	1
9	25	154-0256	ELBOW - 3/8 TUBE OD x 3/8 TUBE	1
9	26	154-0218	GROMMET - 7/16 X 11/16 (1/4" PANEL)	1
9	27	154-0202	PUMP TUBING STOCK - (3/8 OD X 1/4 ID)	6"
9	28	154-1617	FLOAT FOR PLASTIC TANK	1



FIGURE NUMBER	INDEX NUMBER	PART NUMBER	PART NAME & DESCRIPTION	QUANTITY NEEDED
10	1	154-6862	BRUSH TRACK MOUNT - KUSTODIAN PLUS	1
			ATTACHING PARTS	
		153-2004	FLAT WASHER - 1/4	4
		153-2014	LOCK WASHER - 1/4	4
		153-2052	HHCS - 1/4-20 X 7/8	4
10	2	154-6872	HEAD DRIVE MOUNT BAR	1
10	3	154-1220	INDUCTIVE PROXIMITY SENSOR (TL-Q5MC1)	2
			ATTACHING PARTS	
		153-2216A	MS PHILLIPS - 4-40 X 7/8	2
10	4	154-6647A	SLIDING HEAD BAR	1
10	5	154-6646	HEAD BELT MOUNT PLATE	1
			ATTACHING PARTS	
		153-2081	MS PHILLIPS - 6-32 X 1/2	4
		153-2504	MS PHILLIPS - 4-40 X 3/8	1
10	6	154-0866	STRIP BRUSH ASSEMBLY	1
10	7	154-6893	OIL HEAD - ADJUSTABLE TIP ANGLE	1
			ATTACHING PARTS	
		153-2079	FHMS - 1/4-20 X 1	3
10	8	153-2051	SET SCREW - 1/4-20 x 1/2	1
10	9	153-2804	COLLAR - 3/8 x 3/4 x 3/8	1
10	10	153-2713	SPRING - OIL TIP RETAINER	1
10	11	154-6832	OIL PENCIL TIP - ALUMINUM	1
10	12	153-2022	HEX NUT - 10-24	1
10	13	153-2828	MS PHILLIPS - 10-24 x 2-1/2	1
10	14	154-6887	OIL HOSE AND TIP HOLDER	1
11	1	154-6339-2915	SQUEEGEE MOUNT ANGLE - KUSTODIAN	1
11	2	153-0211	SQUEEGEE ROD END WITH FITTING (ON MOTOR)	1
11	3	154-0031	5/16-24 ALLTHREAD STOCK	INCH
11	4	153-8207	BRAKE MOTOR ASSY. (25 RPM-115 V)	1 on 115V
		153-8807H	BRAKE MOTOR ASSEMBLY (25 RPM-230V 50 Hz)	1 on 230V
			ATTACHING PARTS	
		153-2604	MS FLAT PHILLIPS - 10-32 X 1/2	4
11	5	154-6890	SQUEEGEE SWITCH MOUNT PLATE	1
11	6	153-1203	MICROSWITCH W/ROLLER	2
11	7	154-6243	MOTOR CAM - DUAL LOBES	1
11	8	154-6677	SQUEEGEE HOSE ADAPTER	1
11	9	153-0202	SQUEEGEE ASSEMBLY - BLUE	1
11	9	153-0202B	SQUEEGEE REPLACEMENT BLADES - BLUE	PAIR
11	10	153-2214	JAM NUT - 5/16-24	1
12	1	153-0047K	KEGEL KLOTH - (TAN - SOLD CASE)	CASE
	1	153-0047P	K2 DUSTER CLOTH - (WHITE - SOLD BY CASE)	CASE
12	2	153-6850	UHMW DUSTER PLUG FOR CARDBOARD CORE	1
			ATTACHING PARTS	
		153-2005	FLAT WASHER - 5/16	1
		153-2020A	LOCKNUT - 1/4-20 (STOVER)	1
		153-2535	SHOULDER BOLT - 5/16 X 2-1/4 (1/4-20) DUSTER PLUG	1
		153-2808	SPRING - 0.42 OD X 1.25 (DUSTER PLUG)	1

FIGURE NUMBER	INDEX NUMBER	PART NUMBER	PART NAME & DESCRIPTION	QUANTITY NEEDED
12	3	153-6825	DUSTER CLOTH ROUTING BAR (SS)	1
		ATTACHING PARTS		
		153-2409	SHOULDER BOLT - 1/4 X 3/8 (10-24) DUSTER ROD	2
		153-9409	FLANGED BUSHING (1/4 X 3/8 X 1/4)	2
12	4	153-8420	CUSHION ROLLER PIVOT ARM ASSEMBLY	2
		ATTACHING PARTS		
		153-2005	FLAT WASHER - 5/16	1
		153-2020A	LOCKNUT 1/4-20 STOVER	1
		153-2408	SHOULDER BOLT - 5/16 X 1/2 1/4-20 THREADS	1
12	5	154-1603	MICROSWITCH - WITHOUT ROLLER (LARGE)	2
12	6	153-8202B	DUSTER SOLID DRIVE HUB (PVC - 1/4-28)	1
12	7	153-8824	PVC TAKE-UP REEL ASSEMBLY (1/4-28)	1
12	8	153-2808	SPRING - 0.42 OD x 1.25 (DUSTER PLUG)	1
12	9	153-8201B	DUSTER DRIVE HUB ASSEMBLY (1/4-28)	1
		ATTACHING PARTS		
		153-2050	SET SCREW - 1/4-28 X 3/8	1
12	10	153-6853	UHMW DUSTER PLUG FOR PVC TAKE-UP REEL	1
12	11	153-8838	CUSHION ROLLER WITH STEMS (STEEL - 44-3/8)	1
13	1	153-1203	MICROSWITCH - WITH ROLLER (SQUEEGEE & BRUSH)	2
		ATTACHING PARTS		
		153-2505	MS PHILLIPS - 4-40 X 1	2
13	2	154-6824	BRUSH CAM SWITCH PLATE	1
		ATTACHING PARTS		
		153-2002	FLAT WASHER - #8	4
		153-2019	LOCKNUT - 8-32 (NYLOK)	2
		153-2086	MS PHILLIPS - 8-32 X 5/8	2
13	3	153-8207	BRAKE MOTOR ASSEMBLY (25 RPM-115 VOLT)	1
13	3	153-8807H	BRAKE MOTOR ASSEMBLY (25 RPM-230V 50 Hz)	1
		FOR ATTACHING PARTS SEE FIG. 3:10		
13	4	154-8640	FLANGED BEARING-STD BRUSH (3/4" ROTATED)	2
		FOR ATTACHING PARTS SEE FIG. 2:18		
13	5	154-8638	BUFFER BRUSH LIFTING LINK - LEFT	1
		154-8639	BUFFER BRUSH LIFTING LINK - RIGHT	1
		ATTACHING PARTS		
		153-2027A	JAM NUT - 5/16-18	2
		153-2801	SHOULDER BOLT - 3/8 X 3/8 (5/16-18) BRUSH LIFT	2
13	6	154-8837	CAM TO BRUSH LIFTING ROD LINK ASSEMBLY	1
		ATTACHING PARTS		
		153-2027A	JAM NUT - 5/16-18	1
		153-2801	SHOULDER BOLT - 3/8 X 3/8 (5/16-18) BRUSH LIFT	2
13	7	154-8637	BUFFER BRUSH LIFTING ASSEMBLY	1
		ATTACHING PARTS		
		153-2804	COLLAR - 3/8 X 3/4 X 3/8	2
13	8	154-6243	MOTOR CAM - DUAL LOBES (FOR STACKED SWITCHES)	1
		ATTACHING PARTS		
		153-2051	SET SCREW - 1/4-20 X 1/2	1
13	9	153-2027A	JAM NUT - 5/16-18	3
		ATTACHING PARTS		
		153-2801	SHOULDER BOLT - 3/8 X 3/8 (5/16-18) BRUSH LIFT	1
13	10	153-2801	SHOULDER BOLT - 3/8 X 3/8 (5/16-18) BRUSH LIFT	1
		ATTACHING PARTS		
		153-2027A	JAM NUT - 5/16-18	1
13	11	153-2801A	SHOULDER BOLT-3/8 X 3/8-CUT (5/16-18)	2





# *Notes*