

## **SECTION XI - Mechanical Drawings**

### **Table of Contents**

**Edition 12:02**

Electrical Wiring Diagram - 115V/60 Hz

Electrical Wiring Diagram - 230V/50 Hz

Terminal Block Wiring Diagram

Overhead View .....	Figure 1
Bottom View .....	Figure 2
Right Side .....	Figure 3
Left Side .....	Figure 4
PC Control Panel .....	Figure 5
DC Speed Control Board (Drive Motor) .....	Figure 6
Variable Speed Buffer Motor (Optional) .....	Figure 7
Conditioner Transfer Assembly .....	Figure 8
Squeegee Motor Assembly .....	Figure 9
Conditioning Pump and Motor Assembly .....	Figure 10
Lane Distance Proximity Sensor Assembly .....	Figure 11
Buffer Brush Lifting Motor Assembly .....	Figure 12
Cleaner Supply System .....	Figure 13
Duster Assembly .....	Figure 14
Attaching Parts Breakdown (Fasteners) .....	Page 1
Complete Parts List .....	Page 1

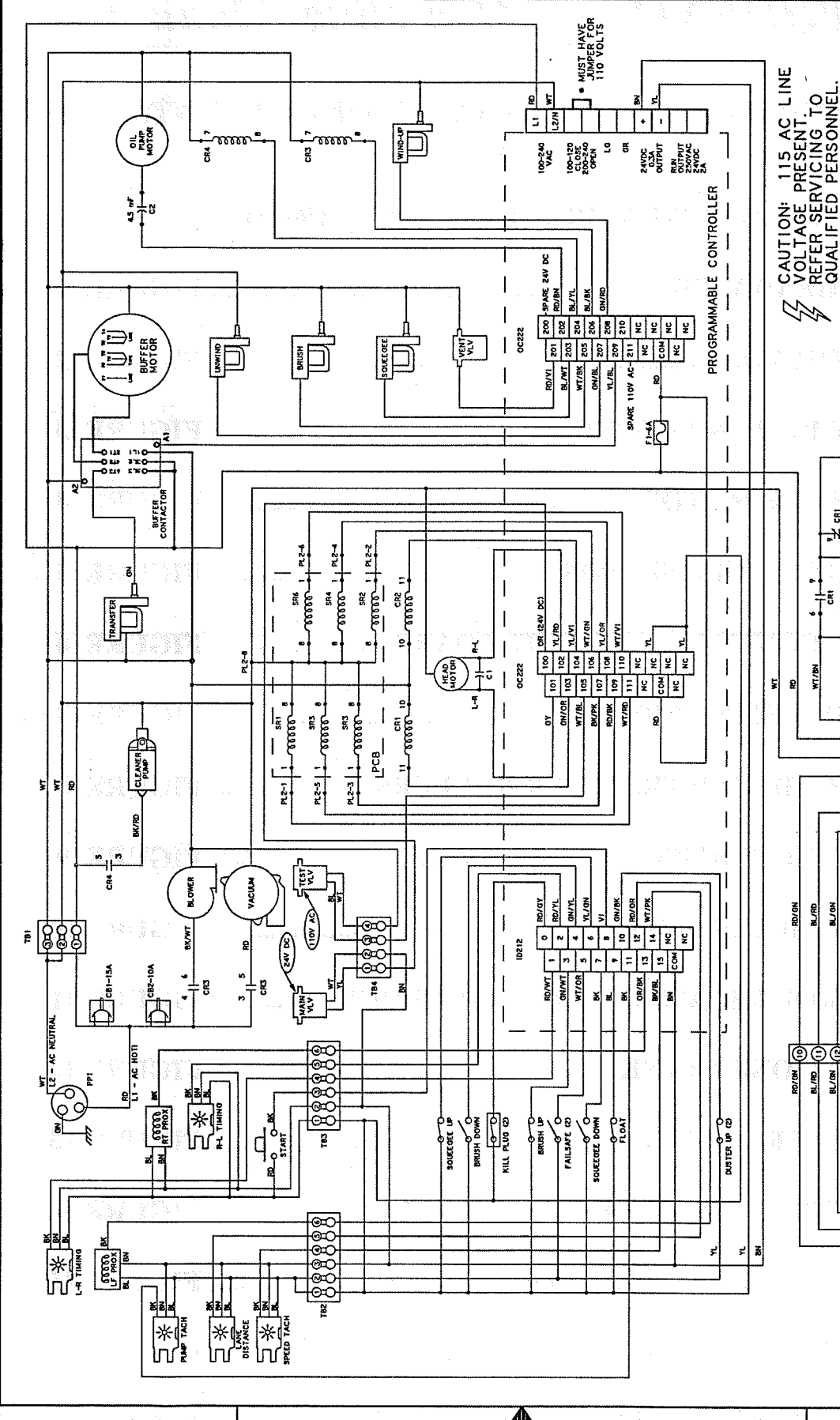


4

3

2

1



**CAUTION: 115 AC LINE VOLTAGE PRESENT. REFER SERVICING TO QUALIFIED PERSONNEL.**

**THE KEGEL CO. (813) 382-4588**  
 4888 US HWY 27 NORTH SEBRING, FL 33878

**DBA PHOENIX-S**  
 DO NOT SCALE DRAWING

DESCRIPTION	SIZE	VOLTAGE/Hz	PART NUMBER
110V WIRING DIAGRAM	C	110/60	17-3800S
SCALE	N/A	SHEET	1 OF 1

DRAWN BY	DATE
KLEMM	02/22/96
CHECKER	ENGINEER
M. DAVIS	J. DAVIS
VENDOR	
DBA PRODUCTS CO. INC.	

**PROGRAMMABLE CONTROLLER**

200-3	SPARE 24V DC	RD	NC
200-1	RD/BN	RD	NC
200-2	BL/YL	RD	NC
200-3	BL/YL	RD	NC
200-4	BL/YL	RD	NC
200-5	BL/YL	RD	NC
200-6	BL/YL	RD	NC
200-7	BL/YL	RD	NC
200-8	BL/YL	RD	NC
200-9	BL/YL	RD	NC
200-10	BL/YL	RD	NC
200-11	BL/YL	RD	NC
200-12	BL/YL	RD	NC
200-13	BL/YL	RD	NC
200-14	BL/YL	RD	NC
200-15	BL/YL	RD	NC
200-16	BL/YL	RD </tr	

**PRINTED CIRCUIT BOARD**

100	DR (24V DC)	YL/DR	RD	NC
101	YL/DR	RD	NC	
102	YL/DR	RD	NC	
103	YL/DR	RD	NC	
104	YL/DR	RD	NC	
105	YL/DR	RD	NC	
106	YL/DR	RD	NC	
107	YL/DR	RD	NC	
108	YL/DR	RD	NC	
109	YL/DR	RD	NC	
110	YL/DR	RD	NC	
111	YL/DR	RD	NC	
112	YL/DR	RD	NC	
113	YL/DR	RD	NC	
114	YL/DR	RD	NC	
115	YL/DR	RD	NC	
116	YL/DR	RD	NC	
117	YL/DR	RD	NC	
118	YL/DR	RD	NC	
119	YL/DR	RD	NC	
120	YL/DR	RD	NC	

**LEGEND**

- C1 HEAD DRIVE CAPACITOR (4.5 mF)
- C2 SPEED CONTROL CAPACITOR (4.5 mF)
- CR1 FORWARD DRIVE RELAY
- CR2 PUMP RELAY
- CR3 VACUUM RELAY
- CR4 VACUUM RELAY
- CR5 SPEED 1 RELAY
- CR6 SPEED 2 RELAY
- CR7 SPEED 3 RELAY
- CR8 SPEED 4 RELAY
- CR9 SPEED 5 RELAY
- CR10 SPEED 6 RELAY
- CR11 SPEED 7 RELAY
- CR12 SPEED 8 RELAY
- CR13 SPEED 9 RELAY
- CR14 SPEED 10 RELAY
- CR15 SPEED 11 RELAY
- CR16 SPEED 12 RELAY
- CR17 SPEED 13 RELAY
- CR18 SPEED 14 RELAY
- CR19 SPEED 15 RELAY
- CR20 SPEED 16 RELAY
- CR21 SPEED 17 RELAY
- CR22 SPEED 18 RELAY
- CR23 SPEED 19 RELAY
- CR24 SPEED 20 RELAY
- CR25 SPEED 21 RELAY
- CR26 SPEED 22 RELAY
- CR27 SPEED 23 RELAY
- CR28 SPEED 24 RELAY
- CR29 SPEED 25 RELAY
- CR30 SPEED 26 RELAY
- CR31 SPEED 27 RELAY
- CR32 SPEED 28 RELAY
- CR33 SPEED 29 RELAY
- CR34 SPEED 30 RELAY
- CR35 SPEED 31 RELAY
- CR36 SPEED 32 RELAY
- CR37 SPEED 33 RELAY
- CR38 SPEED 34 RELAY
- CR39 SPEED 35 RELAY
- CR40 SPEED 36 RELAY
- CR41 SPEED 37 RELAY
- CR42 SPEED 38 RELAY
- CR43 SPEED 39 RELAY
- CR44 SPEED 40 RELAY
- CR45 SPEED 41 RELAY
- CR46 SPEED 42 RELAY
- CR47 SPEED 43 RELAY
- CR48 SPEED 44 RELAY
- CR49 SPEED 45 RELAY
- CR50 SPEED 46 RELAY
- CR51 SPEED 47 RELAY
- CR52 SPEED 48 RELAY
- CR53 SPEED 49 RELAY
- CR54 SPEED 50 RELAY
- CR55 SPEED 51 RELAY
- CR56 SPEED 52 RELAY
- CR57 SPEED 53 RELAY
- CR58 SPEED 54 RELAY
- CR59 SPEED 55 RELAY
- CR60 SPEED 56 RELAY
- CR61 SPEED 57 RELAY
- CR62 SPEED 58 RELAY
- CR63 SPEED 59 RELAY
- CR64 SPEED 60 RELAY
- CR65 SPEED 61 RELAY
- CR66 SPEED 62 RELAY
- CR67 SPEED 63 RELAY
- CR68 SPEED 64 RELAY
- CR69 SPEED 65 RELAY
- CR70 SPEED 66 RELAY
- CR71 SPEED 67 RELAY
- CR72 SPEED 68 RELAY
- CR73 SPEED 69 RELAY
- CR74 SPEED 70 RELAY
- CR75 SPEED 71 RELAY
- CR76 SPEED 72 RELAY
- CR77 SPEED 73 RELAY
- CR78 SPEED 74 RELAY
- CR79 SPEED 75 RELAY
- CR80 SPEED 76 RELAY
- CR81 SPEED 77 RELAY
- CR82 SPEED 78 RELAY
- CR83 SPEED 79 RELAY
- CR84 SPEED 80 RELAY
- CR85 SPEED 81 RELAY
- CR86 SPEED 82 RELAY
- CR87 SPEED 83 RELAY
- CR88 SPEED 84 RELAY
- CR89 SPEED 85 RELAY
- CR90 SPEED 86 RELAY
- CR91 SPEED 87 RELAY
- CR92 SPEED 88 RELAY
- CR93 SPEED 89 RELAY
- CR94 SPEED 90 RELAY
- CR95 SPEED 91 RELAY
- CR96 SPEED 92 RELAY
- CR97 SPEED 93 RELAY
- CR98 SPEED 94 RELAY
- CR99 SPEED 95 RELAY
- CR100 SPEED 96 RELAY
- CR101 SPEED 97 RELAY
- CR102 SPEED 98 RELAY
- CR103 SPEED 99 RELAY
- CR104 SPEED 100 RELAY

4

3

2

1

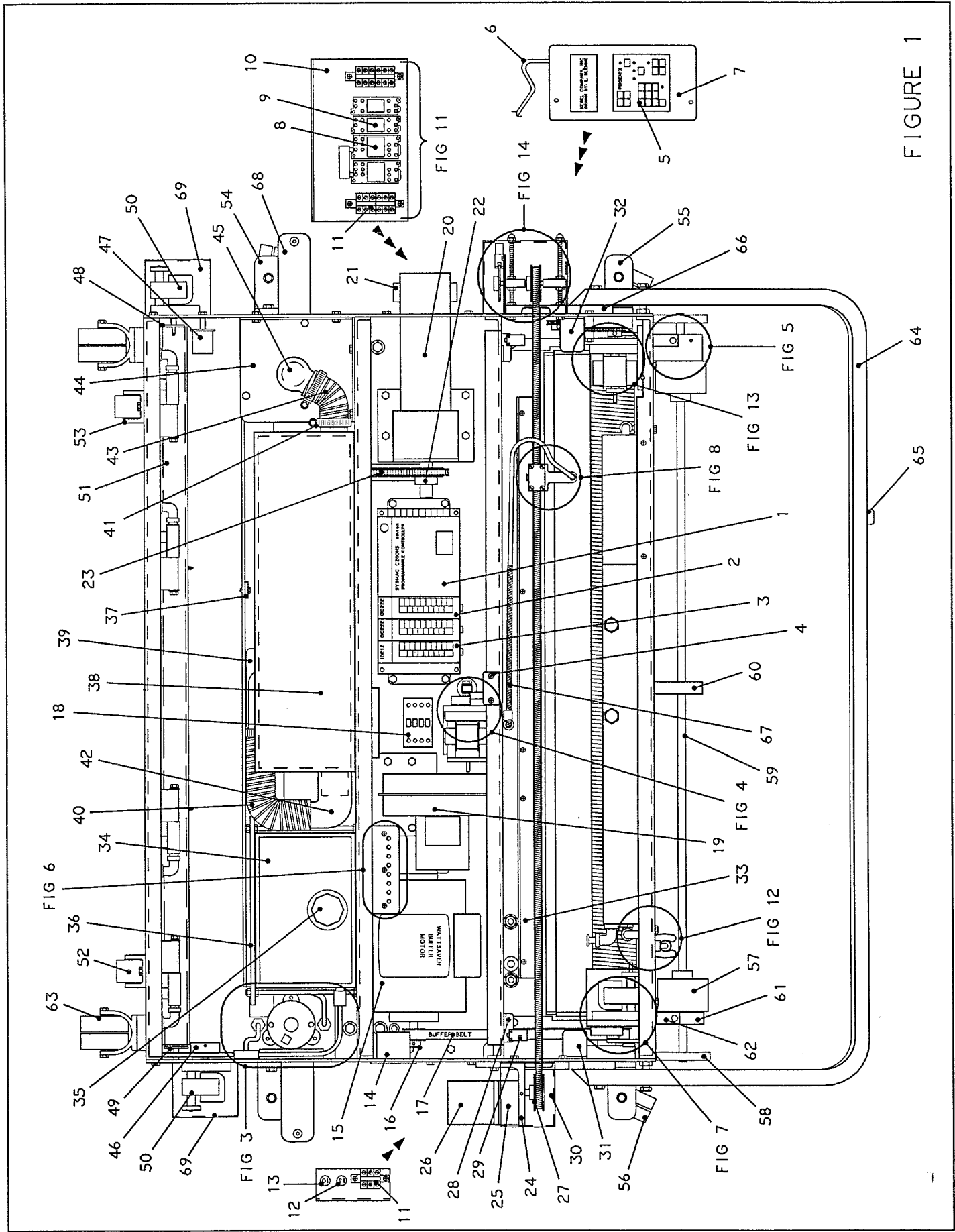


FIGURE 1

DBA PHOENIX-S Operating Manual  
MECHANICAL DRAWINGS INDEX

FIGURE NUMBER	INDEX NUMBER	PART NUMBER	PART NAME & DESCRIPTION
1	1	153-1801	C200HS MICROPROCESSOR
1	2	154-8231	OUTPUT MODULE ASSEMBLY - OC222 (WITH 24V DC RELAY)
1	3	153-1816	INPUT MODULE - ID212
1	4	154-6252	CATCH PLATE FOR ELECTRICAL LID
1	5	153-1002PX	PRO27 KEYBOARD (C200H WITH PHOENIX DECAL)
1	6	153-1005	KEYBOARD CABLE (C200H)
1	7	153-6813	KEYBOARD MOUNTING PLATE (PHOENIX)
1	8	153-1018	LY3 RELAY (110 VOLT)
1	8	153-1618	LY3 RELAY (220 VOLT)
1	9	153-1016	LY2 RELAY (110 VOLT)
1	9	153-1616	LY2 RELAY (220 VOLT)
1	10	153-6856	RELAY MOUNTING PLATE
1	11	153-1021	TERMINAL BLOCK
1	12	153-1817	CIRCUIT BREAKER (15-AMP) FOR 110 VOLT
1	12	153-1810	CIRCUIT BREAKER (8-AMP) FOR 220 VOLT
1	13	153-1030	CIRCUIT BREAKER (10 AMP)
1	14	153-1823	FLANGED TWISTLOCK INLET - 125V/20A
1	14	153-1826	FLANGED TWISTLOCK INLET - 250V/20A
1	15	154-8236	BUFFER MOTOR-1/2 HP (1725 RPM-110V 60 Hz)
1	15	154-8237	BUFFER MOTOR-1/2 HP (1725 RPM-220V 50/60 Hz)
1	16	153-9013	BUFFER MOTOR PULLEY (10L050-1/2")
1	17	153-9015	T-BELT 322LO50 (BUFFER MOTOR)
1	18	153-1004	BUFFER MOTOR CONTACTOR (110 VOLT)
1	18	153-1604	BUFFER MOTOR CONTACTOR (220 VOLT)
1	19	153-8801	BLOWER MOTOR ASSEMBLY - 110V/140 CFM
1	19	153-8802	BLOWER MOTOR ASSEMBLY - 220V/140 CFM
1	20	153-8065	DRIVE MOTOR ASSEMBLY (DAYTON 130VDC/165 RPM)
1	21	153-1057H	DAYTON DC MOTOR BRUSHES
1	22	153-9801	SPROCKET - 40B14 (3/4" BORE) FOR 220 VOLT
1	22	153-9805	SPROCKET - 40B18 (3/4" BORE) FOR 110 VOLT
1	23	153-9804	DRIVE CHAIN - PHOENIX (40P35) FOR 110 VOLT
1	23	153-9814	DRIVE CHAIN - PHOENIX (40P33) FOR 220 VOLT

FIGURE 1

DBA PHOENIX-S Operating Manual  
MECHANICAL DRAWINGS INDEX

FIGURE NUMBER	INDEX NUMBER	PART NUMBER	PART NAME & DESCRIPTION
1	24	154-6222	MOUNTING ANGLE - HEAD DRIVE MOTOR
1	25	154-1206	GEARBOX FOR HEAD DRIVE MOTOR (5:1 RATIO)
1	26	154-8232	HEAD DRIVE MOTOR ASSEMBLY - 110V PX-S
1	27	154-9205D	PULLEY - HEAD DRIVE MOTOR (24XL 3/8" BORE)
1	28	154-6218L	MOUNTING ANGLE - LEFT PROXIMITY SENSOR
1	29	154-1220	INDUCTIVE PROXIMITY SENSOR (TL-Q5MC1)
1	30	154-6201	GUARD FOR HEAD DRIVE PULLEY (LEFT SIDE)
1	31	154-8241	FELT PAD AND MOUNTING ANGLE ASSEMBLY - LEFT SIDE
1	32	154-8242	FELT PAD AND MOUNTING ANGLE ASSEMBLY - RIGHT SIDE
1	33	154-6203A	GUARD FOR TRANSFER COMPARTMENT
1	34	153-6840	SUPPLY TANK (1-1/2 GALLON CAPACITY)
1	35	153-0246	PLUG - MPT (1-1/2" PVC - SCH 40)
1	36	153-6847	MOUNTING BAR FOR SUPPLY TANK
1	37	153-6854	UHMW RETAINER FOR RECOVERY TANK
1	38	153-6841	RECOVERY TANK (3-1/2 GALLON CAPACITY)
1	39	153-6223	SQUEEGEE HOSE ADAPTER
1	40	153-0804	FLEXIBLE SUCTION HOSE - SQUEEGEE TO RECOVERY TANK (10")
1	41	153-2406	HOSE CLAMP (1/2")
1	42	153-0225	1-1/4" PVC ELBOW (1-1/4 - MPT)
1	43	153-0805	FLEXIBLE SUCTION HOSE - RECOVERY TANK TO VACUUM (3")
1	44	153-6810B	VACUUM MOTOR ADAPTER (BENT FLANGES)
1	45	153-8827	1-1/4 PVC ELBOW FOR RECOVERY TANK (5/8")
1	46	153-8201B	DMR LINODUSTER HUB ASSEMBLY (CARDBOARD CORE) 1/4-28
1	47	153-6850	UHMW LINODUSTER PLUG FOR CARDBOARD CORE
1	48	153-8202B	DMR LINODUSTER SOLID HUB ASSEMBLY (PVC DRIVE) 1/4-28
1	49	153-6853	UHMW LINODUSTER PLUG FOR PVC TAKE-UP REEL
1	50	153-8403	CONE-BRAKE MOTOR ASSEMBLY (7 RPM-110 VOLT)
1	50	153-8803	CONE-BRAKE MOTOR ASSEMBLY (7 RPM-220 VOLT)
1	51	153-8824	PVC TAKE-UP REEL ASSEMBLY (PHOENIX=44-5/8")
1	52	153-8311	MOMENTARY WHEEL ASSEMBLY (URETHANE)
1	53	153-6029	MOMENTARY WHEEL HOUSING
1	54	154-6221	MOUNTING ANGLE - HEAVY DUTY CASTER (3 x 3.625)

FIGURE 1

DBA PHOENIX-S Operating Manual  
MECHANICAL DRAWINGS INDEX

FIGURE NUMBER	INDEX NUMBER	PART NUMBER	PART NAME & DESCRIPTION
1	55	154-6221	MOUNTING ANGLE - HEAVY DUTY CASTER (3 x 3.625)
1	56	153-0812	TRANSPORT CASTER - HEAVY DUTY (2" - DUAL WHEEL)
1	57	153-7002AA	LANE DISTANCE COUNTER WHEEL-TREADED (2 INCH)
1	58	153-7401	UHMW KICK-UP WHEEL
1	59	153-6435	LANE DISTANCE COUNTER SHAFT (FOR KICK-UP WHEEL)
1	60	153-8421	LANE DISTANCE PILLOWBLOCK ASSEMBLY (CENTER)
1	61	153-8033	LANE DISTANCE COUNTER PILLOWBLOCK ASSEMBLY (LEFT)
1	62	153-6027	LANE DISTANCE ADJUSTMENT BLOCK
1	63	153-0001	TRANSPORT CASTER (3" DUAL WHEEL)
1	64	153-8816	EXTENSION HANDLE ASSEMBLY (30")
1	65	153-1408	PUSH BUTTON (RED = NORMALLY OPEN)
1	66	153-6851	UHMW HANDLE SPACER
1	67	154-0206	SPRING - OIL LINE CONTROL (10")
1	68	154-8240	MOUNTING ANGLE FOR CORD SWIVEL
1	69	153-6412	LINODUSTER MOTOR SHIELD (DAYTON-7 RPM)

FIGURE 1

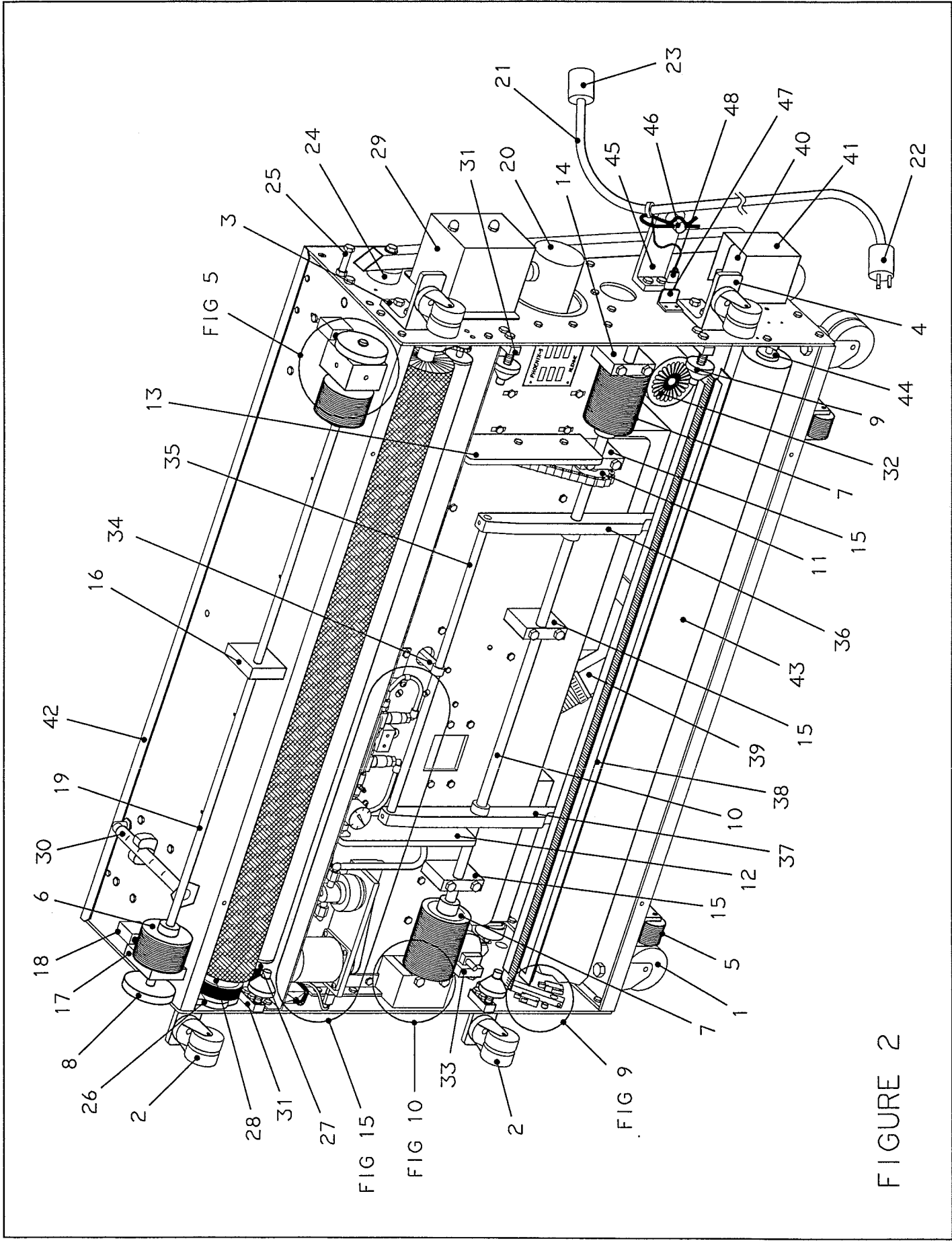


FIGURE 2



DBA PHOENIX-S Operating Manual  
MECHANICAL DRAWINGS INDEX

FIGURE NUMBER	INDEX NUMBER	PART NUMBER	PART NAME & DESCRIPTION
2	1	153-0001	TRANSPORT CASTER (3" DUAL WHEEL)
2	2	153-0812	TRANSPORT CASTER - HEAVY DUTY (2" - DUAL WHEEL)
2	3	154-6221	MOUNTING ANGLE - HEAVY DUTY CASTER (3 x 3.625)
2	4	154-6221	MOUNTING ANGLE - HEAVY DUTY CASTER (3 x 3.625)
2	5	153-8311	MOMENTARY WHEEL ASSEMBLY (URETHANE)
2	6	153-7002AA	LANE DISTANCE COUNTER WHEEL-TREADED (2 INCH)
2	7	153-7013	URETHANE-BLEND LANE DRIVE WHEEL (FOUR-INCH TREADED)
2	8	153-7401	UHMW KICK-UP WHEEL
2	9	153-8410	LANE EDGE GUIDE ROLLER ASSEMBLY (1/2" BORE)
2	10	153-6820A	MAIN DRIVE SHAFT (PHOENIX)
2	11	153-9003	SPROCKET - 40B10 (5/8" BORE)
2	12	154-6237	UHMW FLOOR SKID - LEFT SIDE PX-S
2	13	154-6238	UHMW FLOOR SKID - RIGHT SIDE PX-S
2	14	153-8814	DRIVE SHAFT PILLOWBLOCK ASSEMBLY - FLANGED BUSHING
2	15	153-8813	DRIVE SHAFT PILLOWBLOCK ASSEMBLY - PLAIN BUSHING
2	16	153-8421	LANE DISTANCE PILLOWBLOCK ASSEMBLY (CENTER)
2	17	153-8033	LANE DISTANCE COUNTER PILLOWBLOCK ASSEMBLY (LEFT)
2	18	153-6027	LANE DISTANCE ADJUSTMENT BLOCK
2	19	153-6435	LANE DISTANCE COUNTER SHAFT (FOR KICK-UP WHEEL)
2	20	153-8065	DRIVE MOTOR ASSEMBLY (DAYTON 130VDC/165 RPM)
2	21	154-8229	POWER CORD ASSEMBLY - 125 FEET (110V 12 AWG)
2	21	154-8230	POWER CORD ASSEMBLY - 125 FEET (220V 12 AWG)
2	22	153-1025	MALE PLUG - 125V/15A
2	22	153-1625	MALE PLUG - 250V/15A
2	23	153-1822	FEMALE TWISTLOCK - 125V/20A
2	23	153-1824	FEMALE TWISTLOCK - 250V/20A
2	24	153-6851	UHMW HANDLE SPACER
2	25	153-2818	HHCS - 3/8-16 X 2-1/2 (GRADE 8)
2	26	153-9816	3/4" FLANGED BEARING - 5/16-18 TAPPED
2	27	153-8039	BUFFER BELT IDLER ASSEMBLY
2	28	154-8244	BUFFER BRUSH ASSEMBLY - 3-3/4" Ø (HEAVY FILL)
2	29	154-6202	GUARD FOR HEAD IDLER PULLEY & SENSORS (RIGHT SIDE)

-FIGURE 2



DBA PHOENIX-S Operating Manual  
MECHANICAL DRAWINGS INDEX

FIGURE NUMBER	INDEX NUMBER	PART NUMBER	PART NAME & DESCRIPTION
2	30	154-0215	GRADUATED CYLINDER FOR CALIBRATION TEST (25 ml)
2	31	153-6417	GUIDE ROLLER MOUNTING BAR (ALUMINUM)
2	32	153-8205	VACUUM MOTOR ASSEMBLY - 110 VOLT/104 CFM
2	32	153-8805	VACUUM MOTOR ASSEMBLY - 220 VOLT/96 CFM
2	33	153-8206	WATER SPRAY PUMP ASSEMBLY - 110 VOLT
2	33	153-8806	WATER SPRAY PUMP ASSEMBLY - 220 VOLT
2	34	153-6842	SQUEEGEE ROD END (5/16-18 X 4-5/8)
2	35	153-6254	SQUEEGEE ARM SHAFT
2	36	153-8809	SQUEEGEE PIVOT ARM ASSEMBLY - PHOENIX RIGHT SIDE
2	37	153-8808	SQUEEGEE PIVOT ARM ASSEMBLY - PHOENIX LEFT SIDE
2	38	153-0202A	COMPLETE SQUEEGEE ASSEMBLY (2-PIECE BROWN)
2	39	153-6223	SQUEEGEE HOSE ADAPTER
2	40	153-8403	CONE-BRAKE MOTOR ASSEMBLY (7 RPM-110 VOLT)
2	40	153-8803	CONE-BRAKE MOTOR ASSEMBLY (7 RPM-220 VOLT)
2	41	153-6412	LINODUSTER MOTOR SHIELD (DAYTON-7 RPM)
2	42	154-8202	COMPLETE LID ASSEMBLY - PX-S
2	43	153-8238	CUSHION ROLLER ASSEMBLY (DMR LINODUSTER = 44")
2	44	153-9050	CUSHION ROLLER PLUG
2	45	154-8240	MOUNTING ANGLE FOR CORD SWIVEL
2	46	154-6233	SWIVEL MOUNT FOR CORD
2	47	154-6235	MOUNTING ANGLE - KILL PLUG FOR POWER CORD
2	48	154-8209	CABLE ASSEMBLY FOR CORD

FIGURE 2

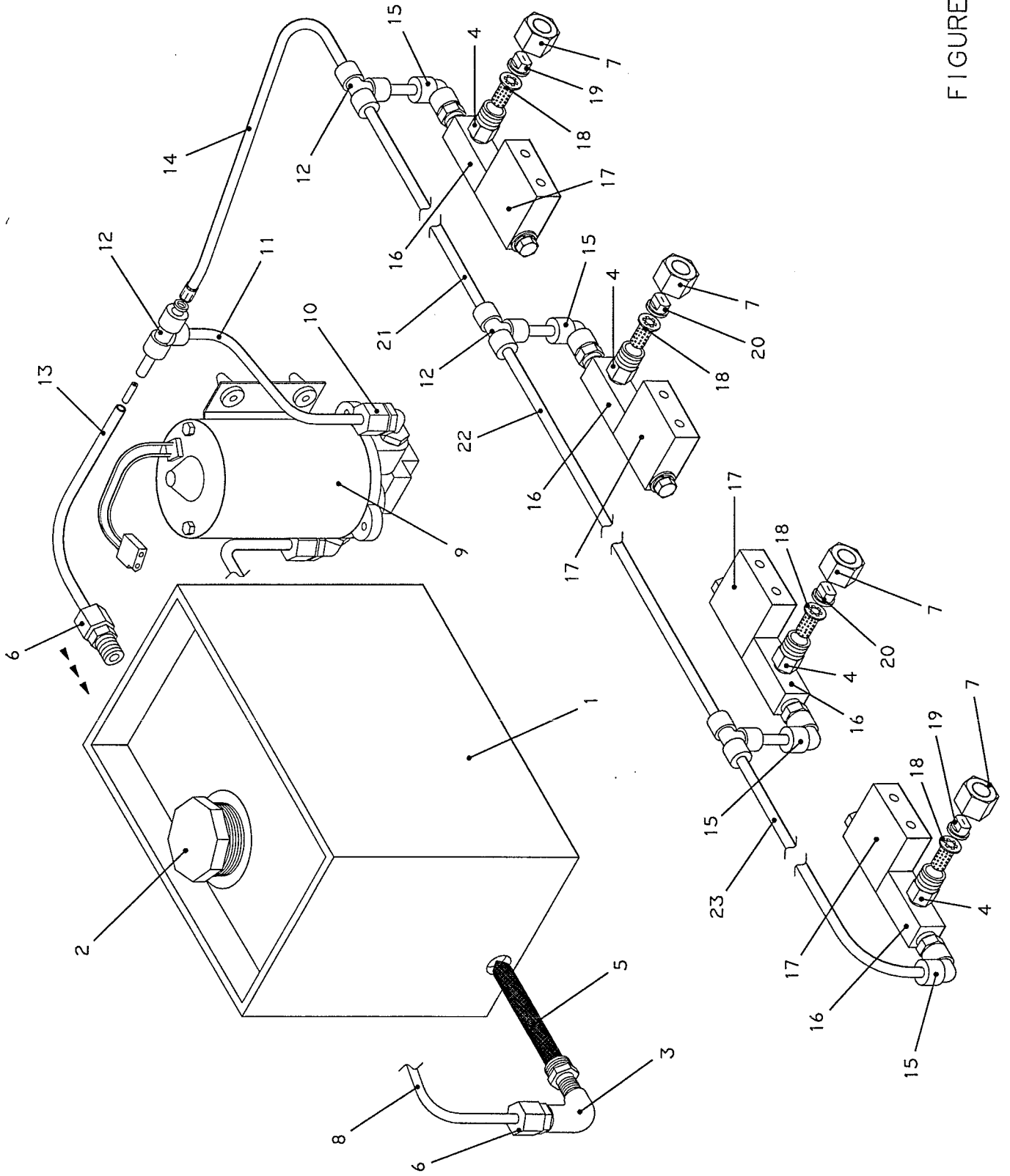


FIGURE 3

*DBA PHOENIX-S Operating Manual*  
MECHANICAL DRAWINGS INDEX

FIGURE NUMBER	INDEX NUMBER	PART NUMBER	PART NAME & DESCRIPTION
3	1	153-6840	SUPPLY TANK (1-1/2 GALLON CAPACITY)
3	2	153-0246	PLUG - MPT (1-1/2" PVC - SCH 40)
3	3	153-0216	ELBOW (1/4 - MPT X 1/4 - FPT)
3	4	153-0217	MALE BODY (1/4 - NYLON)
3	5	154-0212	TANK FILTER (5" SS)
3	6	153-0209	MALE CONNECTOR (1/4 X 1/4 - MPT)
3	7	153-0218	TIP RETAINER CAP CONNECTOR
3	8	153-0806A	SPRAY HOSE - SUPPLY TANK TO PUMP (23")
3	9	153-8206	WATER SPRAY PUMP ASSEMBLY - 110 VOLT
3	9	153-8806	WATER SPRAY PUMP ASSEMBLY - 220 VOLT
3	10	153-0212	MALE ELBOW (1/4 X 3/8 - MPT)
3	11	153-0807	SPRAY HOSE - PUMP TO TEE (7")
3	12	153-0815	UNION TEE (1/4 X 1/4 X 1/4 - QUICK DISCONNECT)
3	13	153-0809	SPRAY PRESSURE REGULATOR HOSE - TEE TO TANK (8-1/2")
3	14	154-8225	SPRAY HOSE - TEE TO LEFT OUTSIDE JET
3	15	153-0818	MALE SWIVEL ELBOW - 1/4 TUBE X 1/4 NPT
3	16	153-6252	SPRAY JET BODY
3	17	153-6251A	SPRAY JET MOUNTING BLOCK - ANGLED
3	18	153-0220	SCREEN CHECK VALVE (POLYPROPYLENE - 10#)
3	19	154-0007	SPRAY TIP - STAINLESS STEEL (1501)
3	20	153-0816	SPRAY TIP - STAINLESS STEEL (8002)
3	21	154-8226	SPRAY HOSE - LEFT JET TO LEFT MIDDLE JET
3	22	154-8227	SPRAY HOSE - LEFT MIDDLE JET TO RIGHT MIDDLE JET
3	23	154-8228	SPRAY HOSE - RIGHT MIDDLE JET TO RIGHT OUTSIDE JET

FIGURE 3

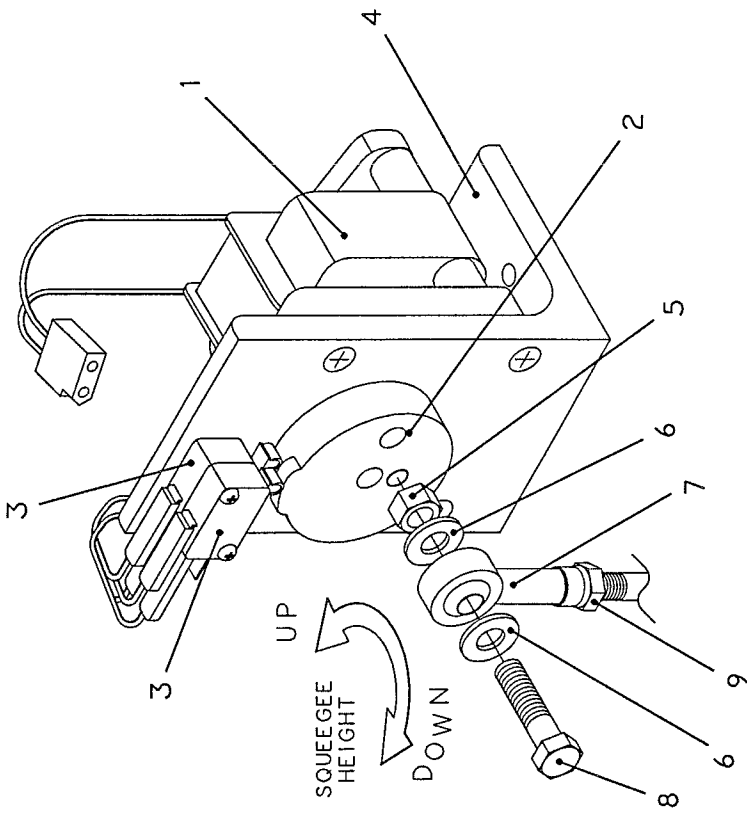


FIGURE 4

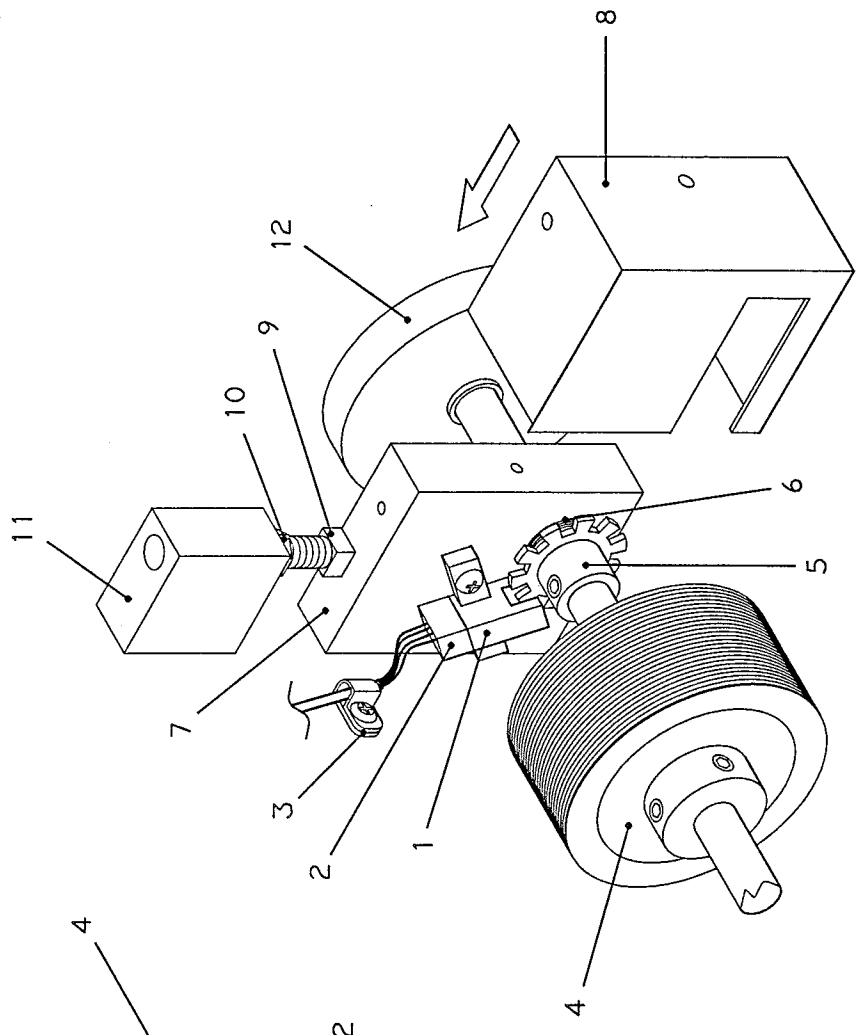


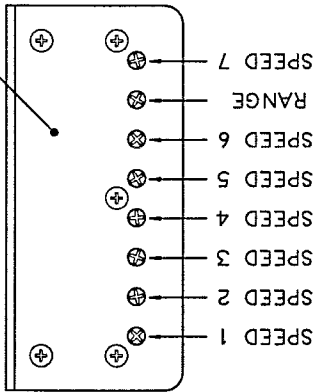
FIGURE 5

DBA PHOENIX-S Operating Manual  
MECHANICAL DRAWINGS INDEX

FIGURE NUMBER	INDEX NUMBER	PART NUMBER	PART NAME & DESCRIPTION
<b>FIGURE 4 PART NUMBERS</b>			
4	1	153-8207	CONE-BRAKE MOTOR ASSEMBLY (25 RPM-110 VOLT)
4	1	153-8807	CONE-BRAKE MOTOR ASSEMBLY (25 RPM-220 VOLT)
4	2	154-6243	MOTOR CAM - DUAL LOBES (3/8 & 5/8 OFFSET)
4	3	153-1203	MICROSWITCH - WITH ROLLER (SQUEEGEE & BRUSH)
4	4	153-6832B	MOUNTING ANGLE-25 RPM MOTOR (SQUEEGEE)
4	5	153-2027A	JAM NUT - 5/16-18
4	6	153-2005	FLAT WASHER - 5/16
4	7	153-0211	SQUEEGEE ROD END WITH FITTING (ON MOTOR)
4	8	153-2062	HHCS - 5/16-18 X 1-1/4
4	9	153-2214	JAM NUT - 5/16-24

FIGURE NUMBER	INDEX NUMBER	PART NUMBER	PART NAME & DESCRIPTION
<b>FIGURE 5 PART NUMBERS</b>			
5	1	153-1031A	PASS-THROUGH SENSOR
5	2	153-1031B	SENSOR PLUG & CABLE
5	3	153-1049D	WIRE HARNESS CLAMP - 1/8
5	4	153-7002AA	LANE DISTANCE COUNTER WHEEL-TREADED (2 INCH)
5	5	153-9110	COUNTER SPROCKET (10-TOOTH)
5	6	153-2010	NYLON FLAT WASHER (1/2 - 0.030)
5	7	153-8031	LANE DISTANCE COUNTER PILLOWBLOCK ASSEMBLY (RIGHT)
5	8	153-8049	LANE DISTANCE SENSOR GUARD ASSEMBLY
5	9	153-2047	SQUARE HEAD SET SCREW - 3/8 X 2
5	10	153-2027	JAM NUT - 3/8-16
5	11	153-6027	LANE DISTANCE ADJUSTMENT BLOCK
5	12	153-7401	UHMW KICK-UP WHEEL

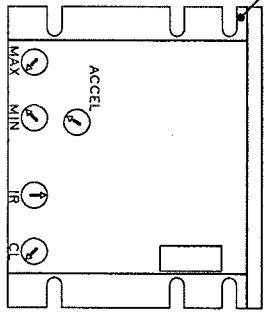
FIGURE 6



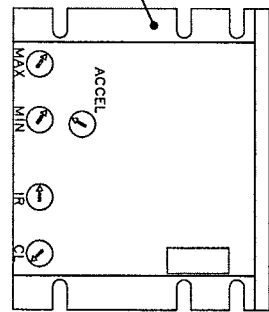
**SPEED SETTINGS:**  
 SPEED 1 = 09-10  
 SPEED 2 = 13-14  
 SPEED 3 = 17-18  
 SPEED 4 = 21-22  
 SPEED 5 = 25-26  
 SPEED 6 = 29-30  
 SPEED 7 = 54-60

**\* INCREASE SPEEDS BY TURNING THE POTS CLOCKWISE**

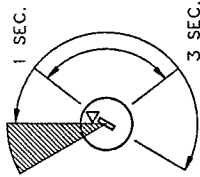
**TO INCREASE THE RANGE OF SPEEDS TURN THAT POT COUNTERCLOCKWISE**



110 VOLT SPEED CONTROL SETTINGS



220 VOLT SPEED CONTROL SETTINGS



**ACCEL TRIMPOT ADJUSTMENT**  
 DO NOT ROTATE TRIMPOT INTO THE SHADED AREA

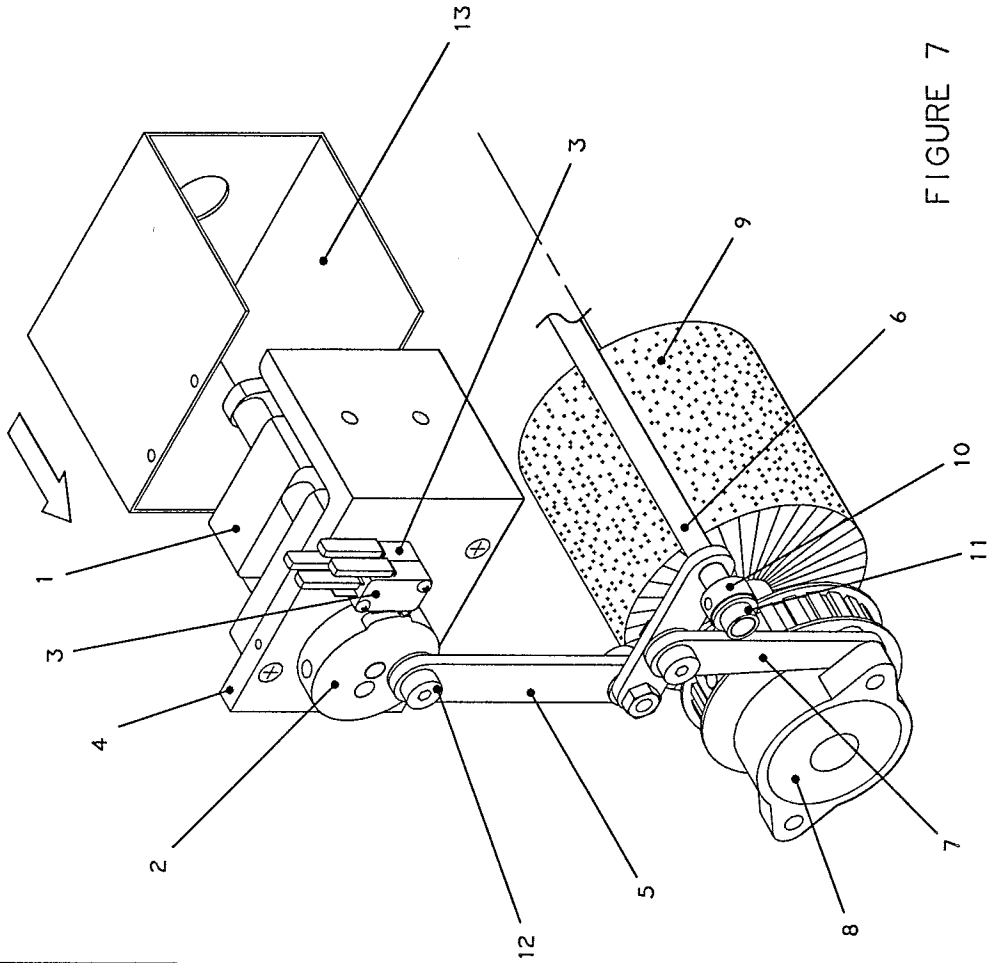


FIGURE 7



DBA PHOENIX-S Operating Manual  
MECHANICAL DRAWINGS INDEX

FIGURE NUMBER	INDEX NUMBER	PART NUMBER	PART NAME & DESCRIPTION
<b>FIGURE 6 PART NUMBERS</b>			
6	1	154-8210	CIRCUIT BOARD ASSEMBLY FOR SPEED CONTROL - 110V
6	1	154-8211	CIRCUIT BOARD ASSEMBLY FOR SPEED CONTROL - 220V
6	2	153-1012	SPEED CONTROL FOR DC MOTOR (KBIC-120) FOR 110 VOLT
6	3	153-1812	SPEED CONTROL FOR DC MOTOR (KBIC-240) FOR 220 VOLT

FIGURE NUMBER	INDEX NUMBER	PART NUMBER	PART NAME & DESCRIPTION
<b>FIGURE 7 PART NUMBERS</b>			
7	1	153-8207	CONE-BRAKE MOTOR ASSEMBLY (25 RPM-110 VOLT)
7	1	153-8807	CONE-BRAKE MOTOR ASSEMBLY (25 RPM-220 VOLT)
7	2	154-6243	MOTOR CAM - DUAL LOBES (3/8 & 5/8 OFFSET)
7	3	153-1203	MICROSWITCH - WITH ROLLER (SQUEEGEE & BRUSH)
7	4	154-6247	MOUNTING ANGLE-25 RPM MOTOR (BRUSH LIFT)
7	5	153-8818	CONNECTING LINK ASSEMBLY - MOTOR CAM/PIVOT ARM
7	6	153-6814	PIVOT SHAFT ASSEMBLY FOR LIFTING BRUSH
7	7	153-8819L	CONNECTING LINK ASSEMBLY - BEARING/PIVOT (LEFT)
7	8	153-9816	3/4" FLANGED BEARING - 5/16-18 TAPPED
7	9	154-8244	BUFFER BRUSH ASSEMBLY - 3-3/4" Ø (HEAVY FILL)
7	10	153-2804	COLLAR - 3/8 X 3/4 X 3/8
7	11	153-9803	FLANGED BUSHING (3/8 X 1/2 X 1/4)
7	12	153-2801	SHOULDER BOLT - 3/8 X 3/8 (5/16-18) BRUSH LIFT
7	13	153-6858	SHIELD FOR MOTOR (BRUSH LIFT)

FIGURE 8

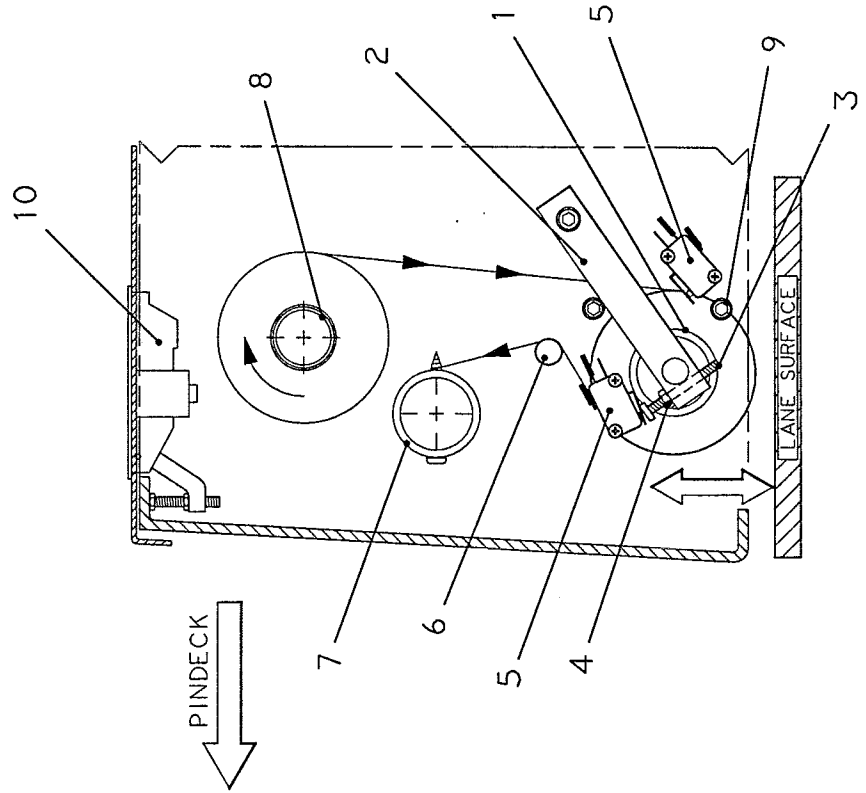
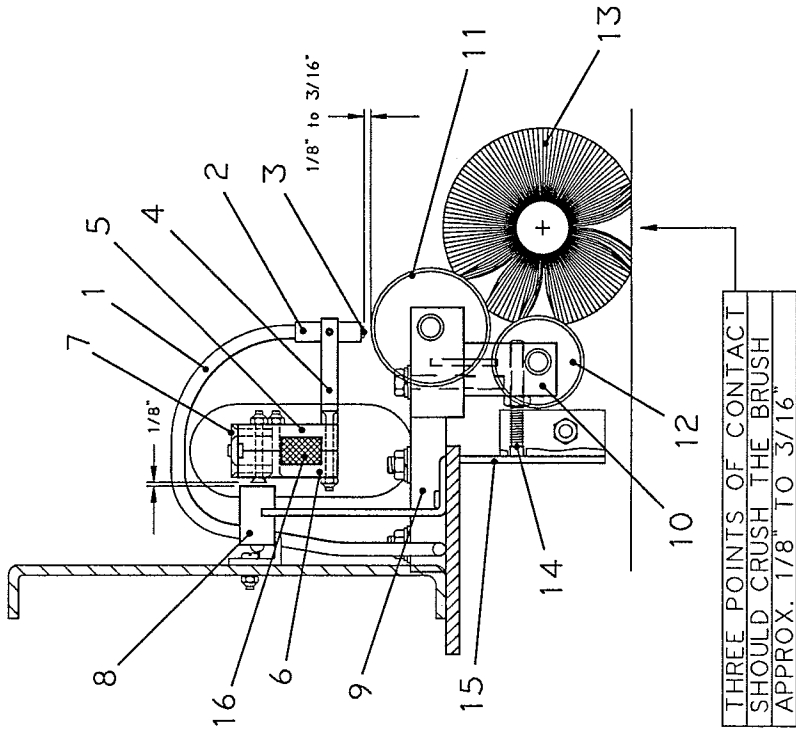


FIGURE 9

DBA PHOENIX-S Operating Manual  
MECHANICAL DRAWINGS INDEX

FIGURE NUMBER	INDEX NUMBER	PART NUMBER	PART NAME & DESCRIPTION
<b>FIGURE 8 PART NUMBERS</b>			
8	1	154-8220	TUBING - ROUTING VALVE TO OIL HEAD TIP (34.5")
8	2	154-6209	TIP HOLDER FOR OIL TUBING
8	3	154-8213	PENCIL TIP FOR OIL HEAD
8	4	154-6241	MOUNT FOR PENCIL TIP
8	5	154-6230	UHMW SLIDING HEAD
8	6	154-6230C	UHMW SLIDING HEAD (COUNTERSUNK HOLE)
8	7	154-6219	MOUNTING PLATE - HEAD BELT
8	8	154-1220	INDUCTIVE PROXIMITY SENSOR (TL-Q5MC1)
8	9	154-8204R	TRANSFER ROLLER ARM ASSEMBLY - PX-S TOP RIGHT
8	10	154-8205R	TRANSFER ROLLER ARM ASSEMBLY - PX-S BOTTOM RIGHT
8	11	154-8207	TRANSFER ROLLER ASSEMBLY - 2.25 DIAMETER (TOP)
8	12	154-8208	TRANSFER ROLLER ASSEMBLY - 1.75 DIAMETER (BOTTOM)
8	13	154-8244	BUFFER BRUSH ASSEMBLY - 3-3/4" Ø (HEAVY FILL)
8	14	153-2519	SQUARE HEAD SET SCREW - 1/4-20 X 2
8	15	154-6203A	GUARD FOR TRANSFER COMPARTMENT
8	16	154-6210	BAR FOR HEAD DRIVE SYSTEM

FIGURE NUMBER	INDEX NUMBER	PART NUMBER	PART NAME & DESCRIPTION
<b>FIGURE 9 PART NUMBERS</b>			
9	1	153-8238	CUSHION ROLLER ASSEMBLY (DMR LINODUSTER = 44")
9	2	153-8420	CUSHION ROLLER PIVOT ARM ASSEMBLY
9	3	153-2090	MS PHILLIPS - 8-32 X 1-1/2
9	4	153-2414	HEX NUT - 8-32
9	5	153-1202	MICROSWITCH - WITHOUT ROLLER (DMR LINODUSTER)
9	6	153-6825	LINODUSTER CLOTH ROUTING BAR (SS)
9	7	153-8824	PVC TAKE-UP REEL ASSEMBLY (PHOENIX=44-5/8")
9	8	153-0429	DMR LINODUSTER TAKE-UP SUPPORT PIPE (40")
9	9	153-2412	SHCS - 1/4-20 X 1/2 (CUSHION ROLLER STOP)
9	10	153-2232A	LID LATCH - FLUSH MOUNT DUAL BUTTON (HEAVY DUTY)

FIGURE 10

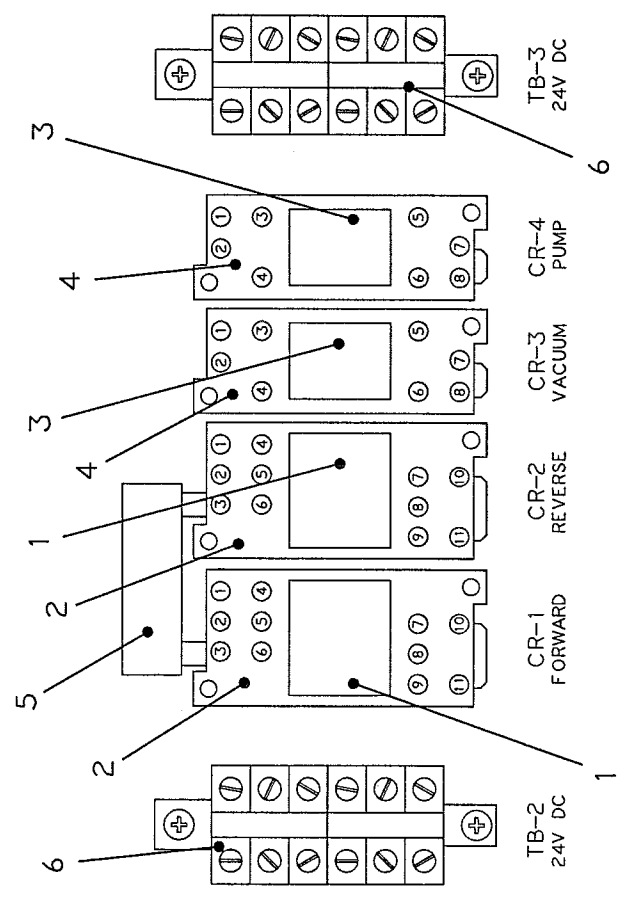
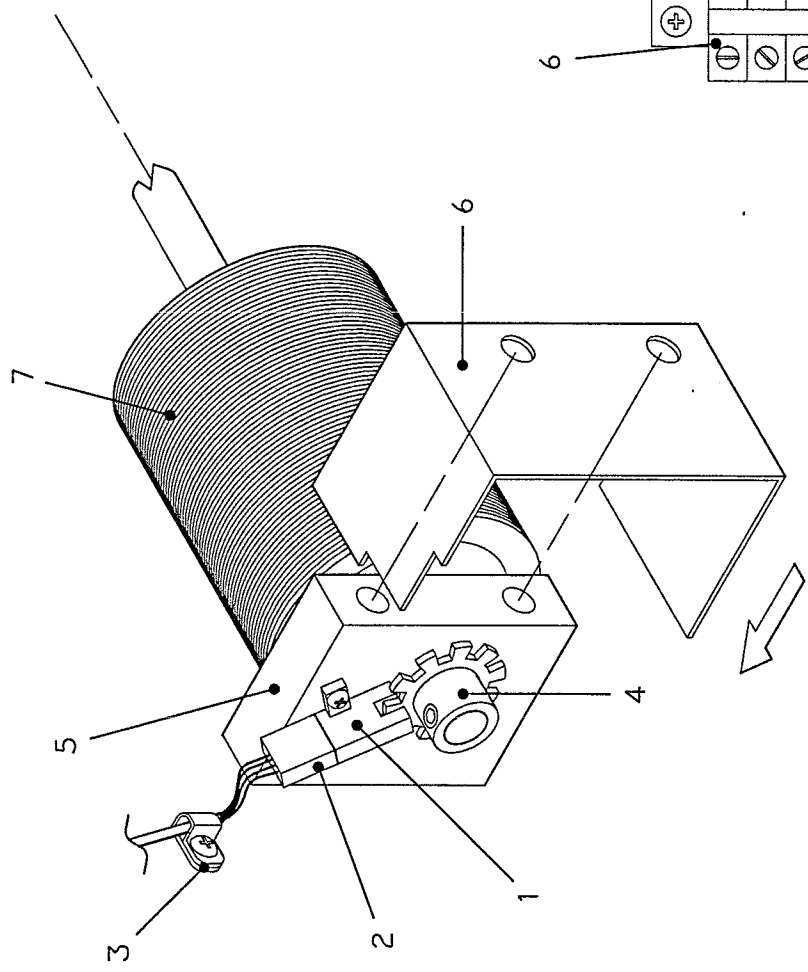


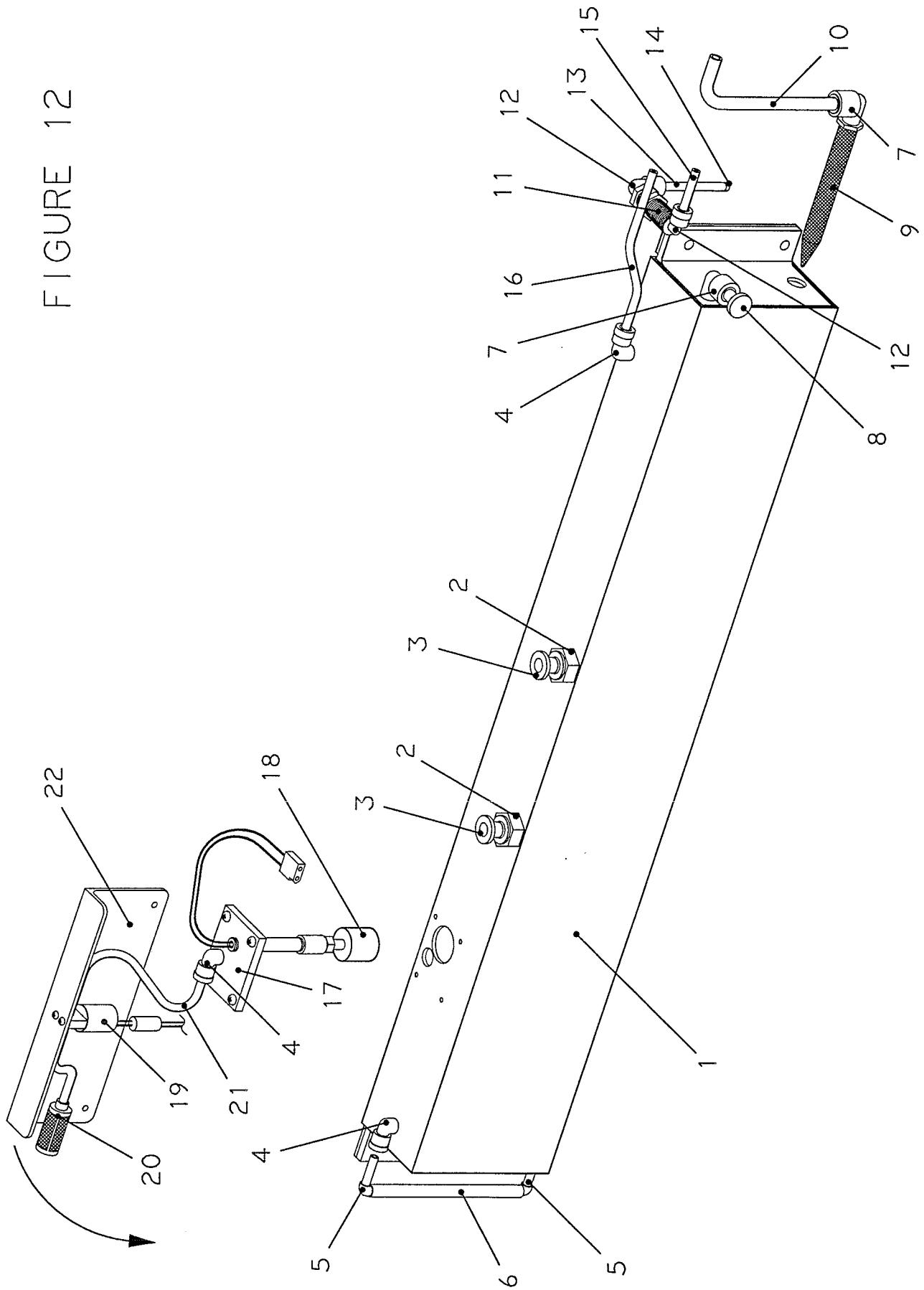
FIGURE 11

DBA PHOENIX-S Operating Manual  
MECHANICAL DRAWINGS INDEX

FIGURE NUMBER	INDEX NUMBER	PART NUMBER	PART NAME & DESCRIPTION
<b>FIGURE 10 PART NUMBERS</b>			
10	1	153-1031A	PASS-THROUGH SENSOR
10	2	153-1031B	SENSOR PLUG & CABLE
10	3	153-1049D	WIRE HARNESS CLAMP - 1/8
10	4	153-9110	COUNTER SPROCKET (10-TOOTH)
10	5	153-8815	DRIVE SHAFT PILLOWBLOCK ASSEMBLY - TACHOMETER
10	6	153-6859	SENSOR GUARD FOR TACHOMETER
10	7	153-7013	URETHANE-BLEND LANE DRIVE WHEEL (FOUR-INCH TREADED)

FIGURE NUMBER	INDEX NUMBER	PART NUMBER	PART NAME & DESCRIPTION
<b>FIGURE 11 PART NUMBERS</b>			
11	1	153-1018	LY3 RELAY (110 VOLT)
11	1	153-1618	LY3 RELAY (220 VOLT)
11	2	153-1019	LY3 RELAY BASE
11	3	153-1016	LY2 RELAY (110 VOLT)
11	3	153-1616	LY2 RELAY (220 VOLT)
11	4	153-1017	LY2 RELAY BASE
11	5	153-1011	BRAKE RESISTOR
11	6	153-1021	TERMINAL BLOCK

FIGURE 12



DBA PHOENIX-S Operating Manual  
MECHANICAL DRAWINGS INDEX

FIGURE NUMBER	INDEX NUMBER	PART NUMBER	PART NAME & DESCRIPTION
12	1	154-8201	OIL TANK ASSEMBLY - PX-S
12	2	154-0232D	MALE CONNECTOR - 1/2" TUBE x 1/2 NPT (DRILLED FOR VENT)
12	3	154-0231	PLUG - 1/2" TUBE ID
12	4	154-0223	ELBOW (90 DEGREE) - 1/4 NPT x 1/4" TUBE
12	5	154-0227	ELBOW - TUBE TO HOSE BARB (1/4" STEM x 5/16 ID HOSE)
12	6	154-8214	TUBING - 5/16 CLEAR PVC (5.25" FOR SIGHT GLASS)
12	7	154-0225	ELBOW - 3/8 TUBE OD x 1/4 NPT
12	8	153-1054	3/8" PLUG (GRAY PLASTIC)
12	9	154-0212	TANK FILTER (5" SS)
12	10	154-8215	TUBING - OIL TANK TO PUMP (3/8" OD x 1/4" ID) 32.75"
12	11	154-0221	BULKHEAD UNION - 1/4" TUBING
12	12	154-0222	ELBOW - 1/4" STEM x 1/4" TUBING OD
12	13	154-8224	TUBING - CALIBRATION FITTING TO TIP
12	14	154-8213A	TIP FOR CALIBRATION
12	15	154-8223	TUBING - FLOOR FITTING TO CALIBRATION FITTING
12	16	154-8218	TUBING - RETURN FITTING TO OIL TANK
12	17	154-6244	MOUNTING PLATE - OIL TANK FLOAT
12	18	154-8203	FLOAT SWITCH ASSEMBLY (OIL TANK)
12	19	154-1212	VALVE FOR TANK VENT - 115V AC 2-WAY
12	20	154-8246	FILTER ASSEMBLY FOR VENT VALVE
12	21	154-8221	TUBING - OIL TANK TO VENT VALVE (CLEAR TYGON)
12	22	154-6240	MOUNT ANGLE - TANK VENT VALVE

FIGURE 12

FIGURE 13

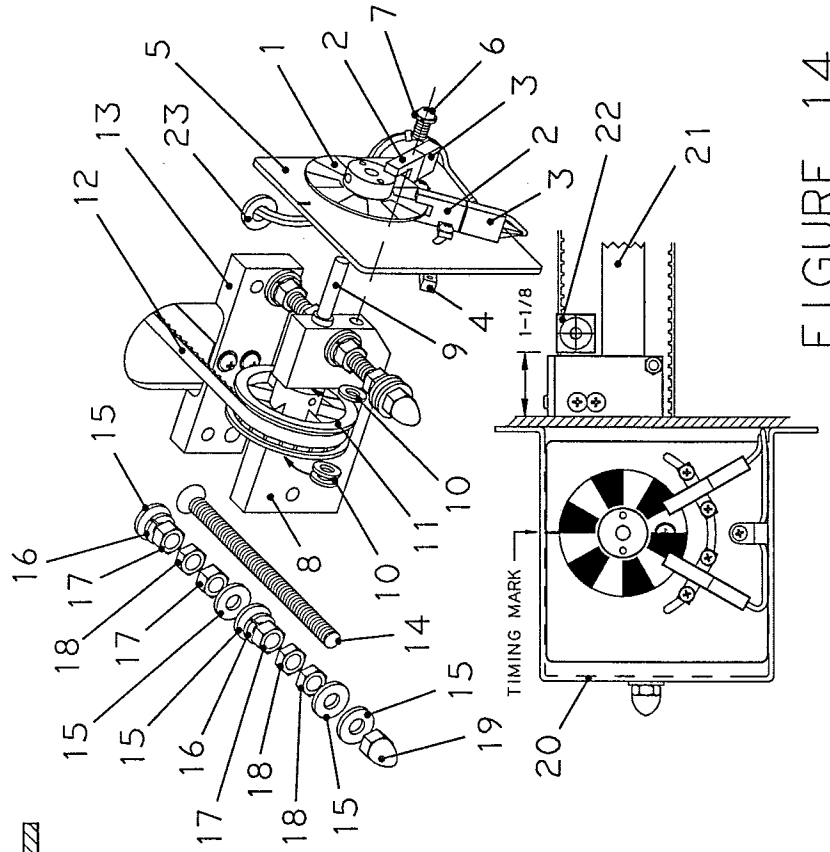
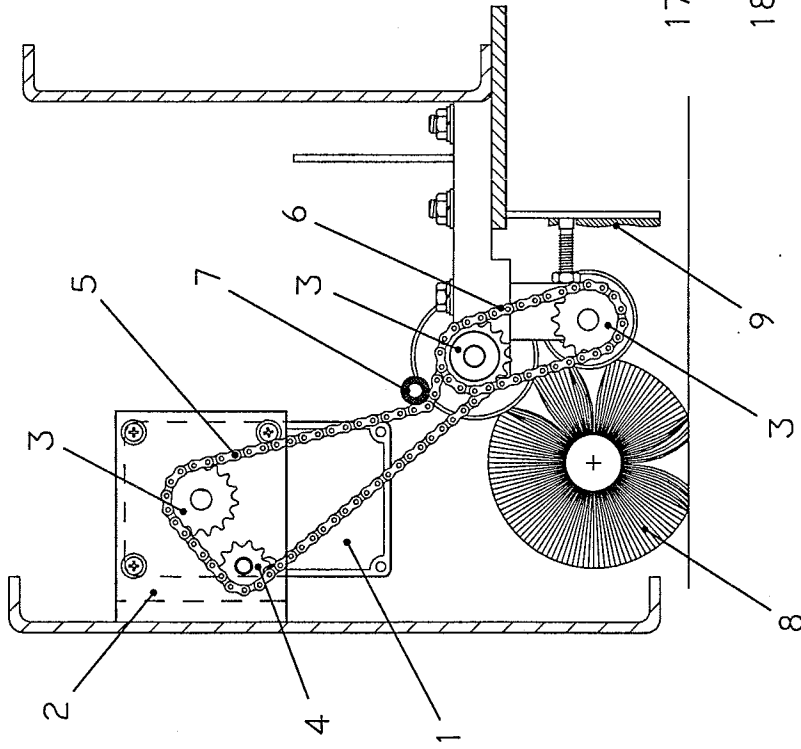


FIGURE 14

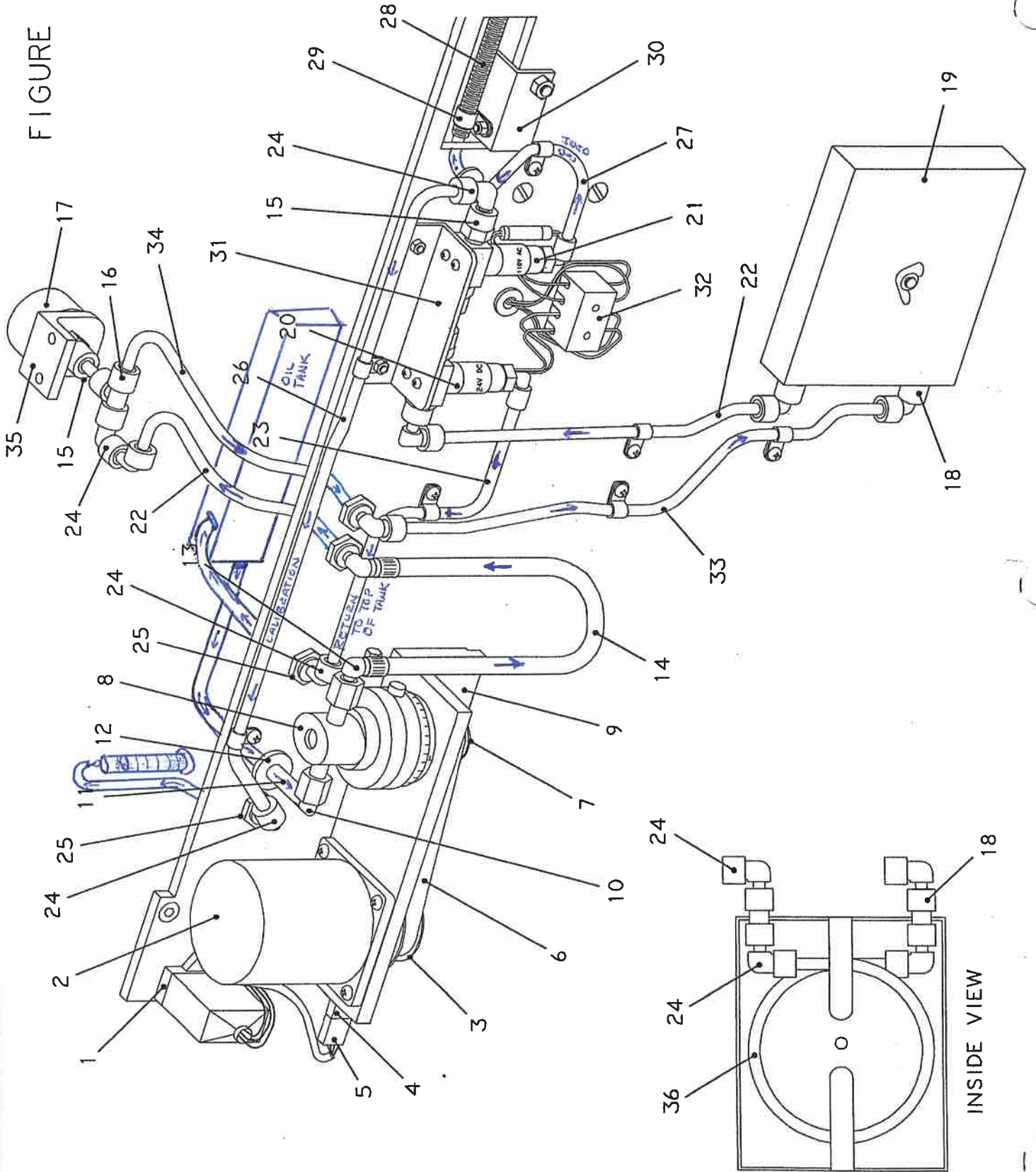


DBA PHOENIX-S Operating Manual  
MECHANICAL DRAWINGS INDEX

FIGURE NUMBER	INDEX NUMBER	PART NUMBER	PART NAME & DESCRIPTION
<b>FIGURE 13 PART NUMBERS</b>			
13	1	154-8206	TRANSFER ROLLER MOTOR - 25 RPM (110V)
13	1	154-8206A	TRANSFER ROLLER MOTOR - 25 RPM (220V)
13	2	153-6849	MOUNTING ANGLE - TRANSFER ROLLER MOTOR
13	3	153-9010	SPROCKET - 25B15 (TRANSFER DRIVE-3/8")
13	4	154-8247	IDLER SPROCKET ASSEMBLY (TRANSFER - 25B10)
13	5	154-9209	TRANSFER ROLLER TOP DRIVE CHAIN (25P65)
13	6	154-9210	TRANSFER ROLLER BOTTOM DRIVE CHAIN (25P31)
13	7	154-6236	IDLER FOR TRANSFER CHAIN - DELRIN
13	8	154-8244	BUFFER BRUSH ASSEMBLY - 3-3/4" Ø (HEAVY FILL)
13	9	154-0228	FELT FOR TRANSFER GUARD (1/8" GRAY)

FIGURE NUMBER	INDEX NUMBER	PART NUMBER	PART NAME & DESCRIPTION
<b>FIGURE 14 PART NUMBERS</b>			
14	1	154-8238	SENSOR ACTUATOR ASSEMBLY (6-TOOTH FOR HEAD TIMING)
14	2	153-1031A	PASS-THROUGH SENSOR
14	3	153-1031B	SENSOR PLUG & CABLE
14	4	154-6211	MOUNTING BAR FOR PASS-THRU SENSOR
14	5	154-6216	MOUNTING PLATE - HEAD TIMING SENSORS
14	6	153-2086A	MS PHILLIPS - 8-32 X 3/8
14	7	153-2013	LOCK WASHER - #10
14	8	154-8243	MOUNTING BRACKET ASSEMBLY FOR TIMING PULLEY SHAFT
14	9	154-6212	SHAFT FOR IDLER PULLEY
14	10	153-2510	NYLON WASHER - 1/4 (0.060)
14	11	154-9204	PULLEY - HEAD IDLER (32XL-1/4)
14	12	154-9201	HEAD BELT - XL025
14	13	154-6215	MOUNTING BRACKET-HEAD DRIVE BAR (RIGHT)
14	14	153-2502	FHMS - 5/16-18 X 5
14	15	153-2005	FLAT WASHER - 5/16
14	16	153-2015	LOCK WASHER - 5/16
14	17	153-2024	HEX NUT - 5/16-18
14	18	153-2027A	JAM NUT - 5/16-18
14	19	153-2512	ACORN NUT - 5/16-18
14	20	154-6202	GUARD FOR HEAD IDLER PULLEY AND TIMING SENSORS
14	21	154-6210	BAR FOR HEAD DRIVE SYSTEM
14	22	154-1220	INDUCTIVE PROXIMITY SENSOR (TL-Q5MC1)
14	23	153-2040	SPOOL GROMMET - 1/2

FIGURE 15A



Operators Manual  
MECHANICAL DRAWING INDEX

Rev 4:99

FIGURE NUMBER	INDEX NUMBER	PART NUMBER	PART NAME & DESCRIPTION
15 A	1	154-1207	MOTOR CAPACITOR (4.5 $\mu$ F) HEAD DRIVE & OIL PUMP @ 60Hz
15 A	1	154-1207A	MOTOR CAPACITOR (5.0 $\mu$ F) OIL PUMP @ 50 Hz
15 A	2	154-8234	MOTOR ASSEMBLY FOR METERING PUMP - 115V
15 A	3	154-8239	SENSOR ACTUATOR & TIMING PULLEY FOR PUMP
15 A	4	153-1031A	PASS-THROUGH SENSOR
15 A	5	153-1031B	SENSOR PLUG & CABLE
15 A	6	154-9202A	BELT FOR METERING PUMP (130XL037)
15 A	7	154-9208	PULLEY - METERING PUMP (12XL-5/16)
15 A	8	154-1214	FLUID METERING PUMP (RH0CKC) - 0.05 ml/STROKE
15 A	9	154-6223	MOUNTING ANGLE - PUMP & MOTOR
15 A	10	154-0226	ELBOW - TUBE TO HOSE BARB (1/4" STEM x 1/4 ID HOSE)
15 A	11	154-8215B	TUBING - FILTER FITTING TO PUMP (3/8" OD x 1/4" ID) 27.75"
15 A	12	154-0218	GROMMET - 7/16 ID x 1/4 PANEL
15 A	13	154-0227	ELBOW - TUBE TO HOSE BARB (1/4" STEM x 5/16 ID HOSE)
15 A	14	154-8216	TUBING (VITON) - PUMP TO METERING VALVE (9.25")
15 A	15	154-0224	MALE CONNECTOR - 1/4" TUBE x 1/8 NPT (#2371 - #2412 ON GAUGE)
15 A	15	154-0257	FEMALE CONNECTOR - 1/4" TUBE x 1/8 FPT
15 A	16	153-0815	UNION TEE (1/4 X 1/4 X 1/4 - QUICK DISCONNECT)
15 A	17	154-1225	PRESSURE GAUGE (0-30 PSI) - 1-1/2 DIA
15 A	18	154-0241	STRAIGHT UNION - 1/4" TUBE (PRESSURE REGULATOR)
15 A	19	154-6256	PRESSURE REGULATOR TUBING BOX
15 A	20	154-1209	VALVE FOR OIL CONTROL - 24V DC 3-WAY (1/8" NPT)
15 A	21	154-1210	VALVE FOR CALIBRATION - 115V AC 3-WAY (1/8" NPT)
15 A	22	154-0202A	TUBING STOCK FOR PRESSURE GAUGE (1/4 x 1/8 x 8" LONG)
15 A	23	154-8217	TUBING - METERING VALVE TO RETURN FITTING (9.5")
15 A	24	154-0222	ELBOW - 1/4" STEM x 1/4" TUBING OD
15 A	25	154-0221	BULKHEAD UNION - 1/4" TUBING
15 A	26	154-8222	TUBING - ROUTING VALVE TO FLOOR FITTING (19")
15 A	27	154-8220	TUBING - ROUTING VALVE TO OIL HEAD TIP (34.5")
15 A	28	154-0206	SPRING - OIL LINE CONTROL
15 A	29	153-1049E	WIRE HARNESS CLAMP - 3/8
15 A	30	154-6251	MOUNTING ANGLE FOR HEAD HOSE SPRING
15 A	31	154-6220	MOUNTING ANGLE - METERING VALVES
15 A	32	154-1221	TERMINAL BLOCK FOR VALVES
15 A	33	154-8262	TUBING - TEE TO REGULATOR (13.75")
15 A	34	154-0202A	TUBING STOCK FOR PRESSURE GAUGE (1/4 x 1/8 x 7" LONG)
15 A	35	154-6257	MOUNTING ANGLE FOR OIL PRESSURE GAUGE
15 A	36	154-0202A	PENCIL TUBING STOCK - 1/4" OD x 1/8" ID
15 A	36	154-0202B	PENCIL TUBING STOCK - 3/16" OD x 1/16" ID

FIGURE 15A

DBA PHOENIX-S Operating Manual  
ATTACHING PARTS FOR MECHANICAL DRAWINGS

FIGURE NUMBER	INDEX NUMBER	PART NUMBER	PART NAME & DESCRIPTION	QUANTITY NEEDED
1	1	153-1801	C200HS MICROPROCESSOR	1
		ATTACHING PARTS		
		153-1811	PC MOUNTING RACK (C200H 3-SLOT)	1
		153-1818	WIRE TIE - 3/4" (C200HS PC)	1
		153-2004	FLAT WASHER - 1/4	12
		153-2014	LOCK WASHER - 1/4	4
		153-2023	HEX NUT - 1/4-20	4
		153-2029	ACORN NUT - 1/4-20	4
		153-2075	CARRIAGE BOLT - 1/4-20 X 2-1/2	4
		153-2093	SPRING - 0.42 OD X 0.75 (PROCESSOR)	8
		153-6811A	C200HS PC PLATE	1
1	2	154-8231	OUTPUT MODULE ASSEMBLY - OC222	2
		ATTACHING PARTS		
		153-1811	PC MOUNTING RACK (C200H 3-SLOT)	1
1	3	153-1816	INPUT MODULE - ID212	1
		ATTACHING PARTS		
		153-1811	PC MOUNTING RACK (C200H 3-SLOT)	1
1	4	154-6252	CATCH PLATE FOR ELECTRICAL LID	1
		ATTACHING PARTS		
		153-2507	FHMS PHILLIPS - 8-32 X 3/4	2
		153-2002	FLAT WASHER - #8	2
		153-2019	LOCKNUT - 8-32 (NYLON)	2
1	5	153-1002PX	PRO27 KEYBOARD (C200H WITH PHOENIX DECAL)	1
		ATTACHING PARTS		
		153-0019	KEYBOARD BACK PLATE	1
		153-0019B	KEYBOARD VIBRATION DAMPENER (3")	2
		153-2080	METRIC PAN HEAD SCREW - M3 X 8 (PRO27 MOUNT)	2
		153-6813	KEYBOARD MOUNTING PLATE (PHOENIX)	1
1	6	153-1005	KEYBOARD CABLE (C200H)	1
1	7	153-6813	KEYBOARD MOUNTING PLATE (PHOENIX)	1
		ATTACHING PARTS		
		153-2002	FLAT WASHER - #8	6
		153-2019	LOCKNUT - 8-32 (NYLON)	6
		153-2086	MS PHILLIPS - 8-32 X 5/8	6
		153-6830	MOUNTING ANGLE - C200H KEYBOARD (4")	1
		153-6831	MOUNTING ANGLE - C200H KEYBOARD (2-3/8")	1

DBA PHOENIX-S Operating Manual  
ATTACHING PARTS FOR MECHANICAL DRAWINGS

FIGURE NUMBER	INDEX NUMBER	PART NUMBER	PART NAME & DESCRIPTION	QUANTITY NEEDED
1	8	153-1018	LY3 RELAY (110 VOLT)	2
1	8	153-1618	LY3 RELAY (220 VOLT)	2
		ATTACHING PARTS		
		153-1019	LY3 RELAY BASE	1
		153-1020	RELAY CLAMP	2
		153-2019	LOCKNUT - 8-32 (NYLON)	2
		153-2087	MS PHILLIPS - 8-32 X 3/4	2
1	9	153-1016	LY2 RELAY (110 VOLT)	2
1	9	153-1616	LY2 RELAY (220 VOLT)	2
		ATTACHING PARTS		
		153-1017	LY2 RELAY BASE	1
		153-1020	RELAY CLAMP	2
		153-2019	LOCKNUT - 8-32 (NYLON)	2
		153-2087	MS PHILLIPS - 8-32 X 3/4	2
1	10	153-6856	RELAY MOUNTING PLATE	1
		ATTACHING PARTS		
		153-2004	FLAT WASHER - 1/4	5
		153-2014	LOCK WASHER - 1/4	3
		153-2023	HEX NUT - 1/4-20	3
		153-2078	FHMS - 1/4-20 X 3/4	1
		153-2052	HHCS - 1/4-20 X 7/8	2
1	11	153-1021	TERMINAL BLOCK	5
		ATTACHING PARTS		
		153-1022	TERMINAL BLOCK END FOOT	1
		153-1023	JUMPER FOR TERMINAL BLOCK	1
		153-2019	LOCKNUT - 8-32 (NYLON)	2
		153-2086	MS PHILLIPS - 8-32 X 5/8	2
1	12	153-1817	CIRCUIT BREAKER (15-AMP) FOR 110 VOLT	1
1	12	153-1810	CIRCUIT BREAKER (8-AMP) FOR 220 VOLT	1
1	13	153-1030	CIRCUIT BREAKER (10 AMP)	1
1	14	153-1823	FLANGED TWISTLOCK INLET - 125V/20A	1
1	14	153-1826	FLANGED TWISTLOCK INLET - 250V/20A	1
		ATTACHING PARTS		
		153-2002	FLAT WASHER - #8	3
		153-2019	LOCKNUT - 8-32 (NYLON)	3
		153-2086	MS PHILLIPS - 8-32 X 5/8	3

DBA PHOENIX-S Operating Manual  
ATTACHING PARTS FOR MECHANICAL DRAWINGS

FIGURE NUMBER	INDEX NUMBER	PART NUMBER	PART NAME & DESCRIPTION	QUANTITY NEEDED
1	15	154-8236	BUFFER MOTOR-1/2 HP (1725 RPM-110V 60 Hz)	1
1	15	154-8237	BUFFER MOTOR-1/2 HP (1725 RPM-220V 60 Hz)	1
		ATTACHING PARTS (NOTE: PULLEY IS INCLUDED IN ASSEMBLY)		
		153-1038	WIRE JOINT (SMALL)	1
		153-2005	FLAT WASHER - 5/16	6
		153-2015	LOCK WASHER - 5/16	4
		153-2024	HEX NUT - 5/16-18	4
		153-2061	HHCS - 5/16-18 X 1	2
		153-2503	FHSS - 5/16-18 X 1-1/4	2
1	16	153-9013	BUFFER MOTOR PULLEY (10L050-1/2")	1
		ATTACHING PARTS		
		153-2051A	SET SCREW - 1/4-20 X 1/4 (INCLUDED WITH PULLEY)	1
1	17	153-9015	T-BELT 322L050 (BUFFER MOTOR)	1
1	18	153-1004	BUFFER MOTOR CONTACTOR (110 VOLT)	1
1	18	153-1604	BUFFER MOTOR CONTACTOR (220 VOLT)	1
		ATTACHING PARTS		
		153-2019	LOCKNUT - 8-32 (NYLOK)	2
		153-2089	MS PHILLIPS - 8-32 X 1	2
1	19	153-8801	BLOWER MOTOR ASSEMBLY - 110V/140 CFM	1
1	19	153-8802	BLOWER MOTOR ASSEMBLY - 220V/140 CFM	1
		ATTACHING PARTS		
		153-2004	FLAT WASHER - 1/4	8
		153-2014	LOCK WASHER - 1/4	4
		153-2023	HEX NUT - 1/4-20	4
		153-2052	HHCS - 1/4-20 X 7/8	4
1	20	153-8065	DRIVE MOTOR ASSEMBLY (130VDC/165 RPM)	1
		ATTACHING PARTS		
		153-2004	FLAT WASHER - 1/4	8
		153-2014	LOCK WASHER - 1/4	4
		153-2023	HEX NUT - 1/4-20	4
		153-2052	HHCS - 1/4-20 X 7/8	4
1	21	153-1057H	DAYTON DC MOTOR BRUSHES (SET OF 2)	1
1	22	153-9801	SPROCKET - 40B14 (3/4" BORE) FOR 110 VOLT	1
1	22	153-9805	SPROCKET - 40B18 (3/4" BORE) FOR 220 VOLT	1
		ATTACHING PARTS		
		153-2051	SET SCREW - 1/4-20 X 1/2 (INCLUDED WITH SPROCKET)	1

DBA PHOENIX-S Operating Manual  
ATTACHING PARTS FOR MECHANICAL DRAWINGS

FIGURE NUMBER	INDEX NUMBER	PART NUMBER	PART NAME & DESCRIPTION	QUANTITY NEEDED
1	23	153-9804	DRIVE CHAIN - PHOENIX (40P35) 110 VOLT	1
1	23	153-9814	DRIVE CHAIN - PHOENIX (40P33) 220 VOLT	1
		ATTACHING PARTS		
		153-9047	40 MASTER LINK	1
		153-9048	40 OFFSET LINK (110V MACHINES ONLY)	1
1	24	154-6222	MOUNTING ANGLE - HEAD DRIVE MOTOR	1
		ATTACHING PARTS		
		153-2004	FLAT WASHER - 1/4	4
		153-2014	LOCK WASHER - 1/4	2
		153-2023	HEX NUT - 1/4-20	2
		153-2053	HHCS - 1/4-20 X 1	1
		153-2054	HHCS - 1/4-20 X 1-1/4	1
1	25	154-1206	GEARBOX FOR HEAD DRIVE MOTOR (5:1 RATIO)	1
1	26	154-8232	HEAD DRIVE MOTOR ASSEMBLY - 110V PX-S	1
		ATTACHING FASTENERS ARE INCLUDED WITH GEARBOX		
1	27	154-9205D	PULLEY - HEAD DRIVE MOTOR (24XL 3/8" BORE)	1
		ATTACHING PARTS		
		153-2049	SET SCREW - 8-32 X 3/16	2
1	28	154-6218L	MOUNTING ANGLE - LEFT PROXIMITY SENSOR	1
		ATTACHING PARTS		
		153-2019	LOCKNUT - 8-32 (NYLOK)	2
		153-2086	MS PHILLIPS - 8-32 X 5/8	2
1	29	154-1220	INDUCTIVE PROXIMITY SENSOR (TL-Q5MC1)	2
		ATTACHING PARTS		
		153-2505	MS PHILLIPS - 4-40 X 1	2
1	30	154-6201	GUARD FOR HEAD DRIVE PULLEY (LEFT SIDE)	1
		ATTACHING PARTS		
		153-2013	LOCK WASHER - #10	3
		153-2086A	MS PHILLIPS - 8-32 X 3/8	3
1	31	154-8241	FELT PAD AND MOUNTING ANGLE-LEFT	1
		ATTACHING PARTS		
		153-2019	LOCKNUT - 8-32 (NYLOK)	2
		153-2806	FHMS - 8-32 X 5/8	2
1	32	154-8242	FELT PAD & MOUNTING ANGLE - RIGHT	1
		ATTACHING PARTS		
		153-2019	LOCKNUT - 8-32 (NYLOK)	2
		153-2806	FHMS - 8-32 X 5/8	2

DBA PHOENIX-S Operating Manual  
ATTACHING PARTS FOR MECHANICAL DRAWINGS

FIGURE NUMBER	INDEX NUMBER	PART NUMBER	PART NAME & DESCRIPTION	QUANTITY NEEDED
1	40	153-0804	FLEXIBLE SUCTION HOSE-SQUEEGEE TO TANK (10")	1
		ATTACHING PARTS		
		153-2406	HOSE CLAMP (1/2")	2
	41	153-2406	HOSE CLAMP (1/2")	3
	42	153-0225	1-1/4" PVC ELBOW (1-1/4 - MPT)	1
	43	153-0805	FLEXIBLE SUCTION HOSE-TANK TO VACUUM (3')	1
		ATTACHING PARTS		
		153-2406	HOSE CLAMP (1/2")	2
	44	153-6810B	VACUUM MOTOR ADAPTER (BENT FLANGES)	1
		ATTACHING PARTS		
		153-2004	FLAT WASHER - 1/4	8
		153-2014	LOCK WASHER - 1/4	4
		153-2023	HEX NUT - 1/4-20	4
		153-2052	HHCS - 1/4-20 X 7/8	4
	45	153-8827	1-1/4 PVC ELBOW FOR RECOVERY TANK (5/8")	1
	46	153-8201B	DMR LINODUSTER HUB ASSEMBLY	1
		ATTACHING PARTS		
		153-2050	SET SCREW - 1/4-28 X 3/8	1
	47	153-6850	UHMW LINODUSTER PLUG FOR CARDBOARD CORE	1
		ATTACHING PARTS		
		153-2020A	LOCKNUT - 1/4-20 (STOVER)	1
		153-2807A	SHOULDER BOLT - 5/16 X 2 (1/4-20) WITHOUT HEAD	1
		153-2808	SPRING - 0.42 OD X 1.25 (LINODUSTER)	1
	48	153-8202B	DMR LINODUSTER SOLID HUB ASSEMBLY (PVC DRIVE)	1
		ATTACHING PARTS		
		153-2050	SET SCREW - 1/4-28 X 3/8	1
	49	153-6853	UHMW LINODUSTER PLUG FOR PVC TAKE-UP REEL	1
		ATTACHING PARTS		
		153-2020A	LOCKNUT - 1/4-20 (STOVER)	1
		153-2807	SHOULDER BOLT - 5/16 X 2 (1/4-20) LINODUSTER PLUG	1
		153-2808	SPRING - 0.42 OD X 1.25 (LINODUSTER)	1

DBA PHOENIX-S Operating Manual  
ATTACHING PARTS FOR MECHANICAL DRAWINGS

FIGURE NUMBER	INDEX NUMBER	PART NUMBER	PART NAME & DESCRIPTION	QUANTITY NEEDED
1	33	154-6203A	GUARD FOR TRANSFER COMPARTMENT	1
		ATTACHING PARTS		
		153-2004	FLAT WASHER - 1/4	4
		153-2014	LOCK WASHER - 1/4	2
		153-2023	HEX NUT - 1/4-20	2
		153-2052	HHCS - 1/4-20 X 7/8	2
		153-2019	LOCKNUT - 8-32 (NYLOK)	5
		153-2086	MS PHILLIPS - 8-32 X 5/8	3
		153-2089	MS PHILLIPS - 8-32 X 1	2
	34	153-6840	SUPPLY TANK (1-1/2 GALLON CAPACITY)	1
		ATTACHING PARTS		
		153-0830	PROTECTIVE SLEEVE FOR ALL-THREAD (5-1/2")	1
		153-2004	FLAT WASHER - 1/4	8
		153-2014	LOCK WASHER - 1/4	2
		153-2020	LOCKNUT - 1/4-20 (NYLOK)	2
		153-2023	HEX NUT - 1/4-20	4
		153-2029	ACORN NUT - 1/4-20	2
		153-2821	SUPPLY TANK MOUNTING ROD (7-1/2" ALL-THREAD)	2
		153-6847	MOUNTING BAR FOR SUPPLY TANK	1
	35	153-0246	PLUG - MPT (1-1/2" PVC - SCH 40)	1
	36	153-6847	MOUNTING BAR FOR SUPPLY TANK	1
		ATTACHING PARTS		
		153-0830	PROTECTIVE SLEEVE FOR ALL-THREAD (5-1/2")	1
		153-2004	FLAT WASHER - 1/4	8
		153-2014	LOCK WASHER - 1/4	2
		153-2020	LOCKNUT - 1/4-20 (NYLOK)	2
		153-2023	HEX NUT - 1/4-20	4
		153-2029	ACORN NUT - 1/4-20	2
		153-2821	SUPPLY TANK MOUNTING ROD (7-1/2" ALL-THREAD)	2
	37	153-6854	UHMW RETAINER FOR RECOVERY TANK	1
		ATTACHING PARTS		
		153-2002	FLAT WASHER - #8	1
		153-2019	LOCKNUT - 8-32 (NYLOK)	1
		153-2087	MS PHILLIPS - 8-32 X 3/4	1
	38	153-6841	RECOVERY TANK (3-1/2 GALLON CAPACITY)	1
	39	153-6223	SQUEEGEE HOSE ADAPTER	1
		ATTACHING PARTS		
		153-2014	LOCK WASHER - 1/4	2
		153-2052A	BHSS - 1/4-20 X 7/8	2
		153-6243A	SQUEEGEE MOUNTING ANGLE (PHOENIX)	1



DBA PHOENIX-S Operating Manual  
 ATTACHING PARTS FOR MECHANICAL DRAWINGS

FIGURE NUMBER	INDEX NUMBER	PART NUMBER	PART NAME & DESCRIPTION	QUANTITY NEEDED
1	50	153-8403	CONE-BRAKE MOTOR ASSEMBLY (7 RPM-110 VOLT)	1
1	50	153-8803	CONE-BRAKE MOTOR ASSEMBLY (7 RPM-220 VOLT)	1
		ATTACHING PARTS		
		153-2003	FLAT WASHER - #10	3
		153-2013	LOCK WASHER - #10	3
		153-2091	MS PHILLIPS - 10-32 X 3/4	3
		153-2804	MS FLAT PHILLIPS - 10-32 X 1/2	1
1	51	153-8824	PVC TAKE-UP REEL ASSEMBLY (PHOENIX-44-5/8")	1
		ATTACHING PARTS		
		153-6853	UHMW LINODUSTER PLUG FOR PVC TAKE-UP REEL	1
		153-8202B	DMR LINODUSTER SOLID HUB ASSEMBLY (PVC DRIVE)	1
1	52	153-8311	MOMENTARY WHEEL ASSEMBLY (URETHANE)	2
		ATTACHING PARTS		
		153-2049	SET SCREW - 8-32 X 3/16	1
		153-6006	MOMENTARY LANE ROLLER SHAFT	1
1	53	153-6029	MOMENTARY WHEEL HOUSING	2
		ATTACHING PARTS		
		153-2005	FLAT WASHER - 5/16	4
		153-2015	LOCK WASHER - 5/16	2
		153-2024	HEX NUT - 5/16-18	2
		153-2049	SET SCREW - 8-32 X 3/16	1
		153-2061	HHCS - 5/16-18 X 1	2
1	54	154-6221	MOUNTING ANGLE - HEAVY DUTY CASTER	2
		ATTACHING PARTS		
		153-2006	FLAT WASHER - 3/8	4
		153-2016	LOCK WASHER - 3/8	2
		153-2025	HEX NUT - 3/8-16	2
		153-2067	HHCS - 3/8-16 X 1-1/4	2
1	55	154-6221	MOUNTING ANGLE - HEAVY DUTY CASTER	2
		ATTACHING PARTS		
		153-2006	FLAT WASHER - 3/8	4
		153-2016	LOCK WASHER - 3/8	2
		153-2025	HEX NUT - 3/8-16	2
		153-2805	FHSS - 3/8-16 X 1-1/4	2
1	56	153-0812	TRANSPORT CASTER - HEAVY DUTY (2")	4
		ATTACHING PARTS		
		153-2006	FLAT WASHER - 3/8	2
		153-2016	LOCK WASHER - 3/8	1
		153-2025	HEX NUT - 3/8-16	1
		153-2068	HHCS - 3/8-16 X 1-1/2	1

DBA PHOENIX-S Operating Manual  
 ATTACHING PARTS FOR MECHANICAL DRAWINGS

FIGURE NUMBER	INDEX NUMBER	PART NUMBER	PART NAME & DESCRIPTION	QUANTITY NEEDED
1	57	153-7002AA	LANE DISTANCE COUNTER WHEEL-TREADED (2")	2
		ATTACHING PARTS		
		153-2050	SET SCREW - 1/4-28 X 3/8	2
1	58	153-7401	UHMW KICK-UP WHEEL	2
		ATTACHING PARTS		
		153-2413	SNAP RING - 1/2	2
1	59	153-6435	LANE DISTANCE COUNTER SHAFT (KICK-UP WHEEL)	1
1	60	153-8421	LANE DISTANCE PILLOWBLOCK ASSEMBLY (CENTER)	1
		ATTACHING PARTS		
		153-2005	FLAT WASHER - 5/16	2
		153-2015	LOCK WASHER - 5/16	2
		153-2061	HHCS - 5/16-18 X 1	2
1	61	153-8033	LANE DISTANCE PILLOWBLOCK ASSEMBLY (LEFT)	1
		ATTACHING PARTS		
		153-2005	FLAT WASHER - 5/16	2
		153-2015	LOCK WASHER - 5/16	2
		153-2061	HHCS - 5/16-18 X 1	2
1	62	153-6027	LANE DISTANCE ADJUSTMENT BLOCK	2
		ATTACHING PARTS		
		153-2027	JAM NUT - 3/8	1
		153-2047	SQUARE HEAD SET SCREW - 3/8 X 2	1
		153-2802	FHSS - 5/16-18 X 5/8	2
1	63	153-0001	TRANSPORT CASTER (3" DUAL WHEEL)	4
		ATTACHING PARTS		
		153-2007	FLAT WASHER - 1/2	2
		153-2017	LOCK WASHER - 1/2	1
		153-2026	HEX NUT - 1/2-13	1
		153-2073A	HHCS - 1/2-13 X 1-1/2	1
1	64	153-8816	EXTENSION HANDLE ASSEMBLY (30")	1
		ATTACHING PARTS		
		153-2006	FLAT WASHER - 3/8	4
		153-2021A	LOCKNUT - 3/8-16 (STOVER)	2
		153-2027	JAM NUT - 3/8-16	2
		153-2815	HHCS - 3/8-16 X 2-1/4 (GRADE 8)	2

DBA PHOENIX-S Operating Manual  
ATTACHING PARTS FOR MECHANICAL DRAWINGS

FIGURE NUMBER	INDEX NUMBER	PART NUMBER	PART NAME & DESCRIPTION	QUANTITY NEEDED
1	65	153-1408	PUSH BUTTON (RED = NORMALLY OPEN)	1
		ATTACHING PARTS		
		153-1209	BUTTON GUARD	1
		153-1344	WIRE FOR START BUTTON (GRAY JACKET-RED & BLACK)	8 FEET
1	66	153-6851	UHMW HANDLE SPACER	2
1	67	154-0206	SPRING - OIL LINE CONTROL (10")	1
		ATTACHING PARTS		
		153-1049E	WIRE HARNESS CLAMP - 3/8	1
		153-2002	FLAT WASHER - #8	1
		153-2019	LOCKNUT - 8-32 (NYLOK)	1
		153-2806	FHMS - 8-32 X 5/8	1
1	68	154-8240	MOUNTING ANGLE FOR CORD SWIVEL	2
		ATTACHING PARTS		
		153-2005	FLAT WASHER - 5/16	4
		153-2015	LOCK WASHER - 5/16	2
		153-2024	HEX NUT - 5/16-18	2
		153-2062	HHCS - 5/16-18 X 1-1/4	2
1	69	153-6412	LINODUSTER MOTOR SHIELD (DAYTON-7 RPM)	2

DBA PHOENIX-S Operating Manual  
ATTACHING PARTS FOR MECHANICAL DRAWINGS

FIGURE NUMBER	INDEX NUMBER	PART NUMBER	PART NAME & DESCRIPTION	QUANTITY NEEDED
2	1	153-0001	TRANSPORT CASTER (3" DUAL WHEEL)	4
		ATTACHING PARTS		
		153-2007	FLAT WASHER - 1/2	2
		153-2017	LOCK WASHER - 1/2	1
		153-2026	HEX NUT - 1/2-13	1
		153-2073A	HHCS - 1/2-13 X 1-1/2	1
2	2	153-0812	TRANSPORT CASTER - HEAVY DUTY (2")	4
		ATTACHING PARTS		
		153-2006	FLAT WASHER - 3/8	2
		153-2016	LOCK WASHER - 3/8	1
		153-2025	HEX NUT - 3/8-16	1
		153-2068	HHCS - 3/8-16 X 1-1/2	1
2	3	154-6221	MOUNTING ANGLE - HEAVY DUTY CASTER	2
		ATTACHING PARTS		
		153-2006	FLAT WASHER - 3/8	4
		153-2016	LOCK WASHER - 3/8	2
		153-2025	HEX NUT - 3/8-16	2
		153-2805	FHSS - 3/8-16 X 1-1/4	2
2	4	154-6221	MOUNTING ANGLE - HEAVY DUTY CASTER	2
		ATTACHING PARTS		
		153-2006	FLAT WASHER - 3/8	4
		153-2016	LOCK WASHER - 3/8	2
		153-2025	HEX NUT - 3/8-16	2
		153-2067	HHCS - 3/8-16 X 1-1/4	2
2	5	153-8311	MOMENTARY WHEEL ASSEMBLY (URETHANE)	2
		ATTACHING PARTS		
		153-2049	SET SCREW - 8-32 X 3/16	1
		153-6006	MOMENTARY LANE ROLLER SHAFT	1
2	6	153-7002AA	LANE DISTANCE COUNTER WHEEL-TREADED (2")	2
		ATTACHING PARTS		
		153-2050	SET SCREW - 1/4-28 X 3/8	2
2	7	153-7013	URETHANE-BLEND LANE DRIVE WHEEL (4" TREADED)	2
		ATTACHING PARTS		
		153-2819	SET SCREW - 5/16-24 X 3/8	2
2	8	153-7401	UHMW KICK-UP WHEEL	2
		ATTACHING PARTS		
		153-2413	SNAP RING - 1/2	2



DBA PHOENIX-S Operating Manual  
ATTACHING PARTS FOR MECHANICAL DRAWINGS

FIGURE NUMBER	INDEX NUMBER	PART NUMBER	PART NAME & DESCRIPTION	QUANTITY NEEDED
2	9	153-8410	LANE EDGE GUIDE ROLLER ASSEMBLY (1/2" BORE)	4
		ATTACHING PARTS		
		153-2006	FLAT WASHER - 3/8	1
		153-2401	SPRING - 0.54 OD X 0.75 (GUIDE ROLLER)	1
		153-2407	SHOULDER BOLT - 3/8 X 1-3/4 (5/16-18) GUIDE ROLLER	1
		153-9034	PLAIN BUSHING (3/8 X 1/2 X 1/4)	1
2	10	153-6820A	MAIN DRIVE SHAFT (PHOENIX)	1
2	11	153-9003	SPROCKET - 40B10 (5/8" BORE)	1
		ATTACHING PARTS		
		153-2051A	SET SCREW - 1/4-20 X 1/4 (INCLUDED WITH SPROCKET)	1
2	12	154-6237	UHMW FLOOR SKID - LEFT SIDE PX-S	1
		ATTACHING PARTS		
		153-2004	FLAT WASHER - 1/4	6
		153-2014	LOCK WASHER - 1/4	4
		153-2023	HEX NUT - 1/4-20	4
		153-2052	HHCS - 1/4-20 X 7/8	2
		153-2078	FHMS - 1/4-20 X 3/4	2
		153-6837	MOUNTING ANGLE - UHMW FLOOR SKID	1
2	13	154-6238	UHMW FLOOR SKID - RIGHT SIDE PX-S	1
		ATTACHING PARTS		
		153-2004	FLAT WASHER - 1/4	8
		153-2014	LOCK WASHER - 1/4	4
		153-2023	HEX NUT - 1/4-20	4
		153-2052	HHCS - 1/4-20 X 7/8	4
		153-6837	MOUNTING ANGLE - UHMW FLOOR SKID	1
2	14	153-8814	DRIVE SHAFT PILLOWBLOCK - FLANGED BUSHING	1
		ATTACHING PARTS		
		153-0043	THICK FELT WASHER	1
		153-2006	FLAT WASHER - 3/8	4
		153-2016	LOCK WASHER - 3/8	2
		153-2025	HEX NUT - 3/8-16	2
		153-2036	SNAP RING - 5/8	1
		153-2235	HHCS - 3/8-16 X 3-1/4	2
2	15	153-8813	DRIVE SHAFT PILLOWBLOCK - PLAIN BUSHING	3
		ATTACHING PARTS		
		153-0043	THICK FELT WASHER	1
		153-2016	LOCK WASHER - 3/8	2
		153-2025	HEX NUT - 3/8-16	2
		153-2036	SNAP RING - 5/8	1
		153-2814	FHMS - 3/8-16 X 3-1/8	2

DBA PHOENIX-S Operating Manual  
ATTACHING PARTS FOR MECHANICAL DRAWINGS

FIGURE NUMBER	INDEX NUMBER	PART NUMBER	PART NAME & DESCRIPTION	QUANTITY NEEDED
2	16	153-8421	LANE DISTANCE PILLOWBLOCK ASSEMBLY (CENTER)	1
		ATTACHING PARTS		
		153-2005	FLAT WASHER - 5/16	2
		153-2015	LOCK WASHER - 5/16	2
		153-2061	HHCS - 5/16-18 X 1	2
2	17	153-8033	LANE DISTANCE PILLOWBLOCK ASSEMBLY (LEFT)	1
		ATTACHING PARTS		
		153-2005	FLAT WASHER - 5/16	2
		153-2015	LOCK WASHER - 5/16	2
		153-2061	HHCS - 5/16-18 X 1	2
2	18	153-6027	LANE DISTANCE ADJUSTMENT BLOCK	2
		ATTACHING PARTS		
		153-2027	JAM NUT - 3/8	1
		153-2047	SQUARE HEAD SET SCREW - 3/8 X 2	1
		153-2802	FHSS - 5/16-18 X 5/8	2
2	19	153-6435	LANE DISTANCE COUNTER SHAFT (KICK-UP WHEEL)	1
2	20	153-8065	DRIVE MOTOR ASSEMBLY (130VDC/165 RPM)	1
		ATTACHING PARTS		
		153-2004	FLAT WASHER - 1/4	8
		153-2014	LOCK WASHER - 1/4	4
		153-2023	HEX NUT - 1/4-20	4
		153-2052	HHCS - 1/4-20 X 7/8	4
2	21	154-8229	POWER CORD ASSEMBLY - 125 FEET (110V 12 AWG)	1
2	21	154-8230	POWER CORD ASSEMBLY - 125 FEET (220V 12 AWG)	1
2	22	153-1025	MALE PLUG - 125V/15A	1
2	22	153-1625	MALE PLUG - 250V/15A	1
2	23	153-1822	FEMALE TWISTLOCK - 125V/20A	1
2	23	153-1824	FEMALE TWISTLOCK - 250V/20A	1
2	24	153-6851	UHMW HANDLE SPACER	2
2	25	153-2818	HHCS - 3/8-16 X 2-1/2 (GRADE 8)	2
		ATTACHING PARTS		
		153-2006	FLAT WASHER - 3/8	2
		153-2021A	LOCKNUT - 3/8-16 (STOVER)	1
		153-2027	JAM NUT - 3/8	1

DBA PHOENIX-S Operating Manual  
ATTACHING PARTS FOR MECHANICAL DRAWINGS

FIGURE NUMBER	INDEX NUMBER	PART NUMBER	PART NAME & DESCRIPTION	QUANTITY NEEDED
2	26	153-9816	3/4" FLANGED BEARING - 5/16-18 TAPPED	2
		ATTACHING PARTS		
		153-2006	FLAT WASHER - 3/8	1
		153-2801	SHOULDER BOLT - 3/8 X 3/8 (5/16-18) BRUSH LIFT	1
		153-9803	FLANGED BUSHING (3/8 X 1/2 X 1/4)	1
2	27	153-8039	BUFFER BELT IDLER ASSEMBLY	1
		ATTACHING PARTS		
		153-0040A	1/4" SPACER (5/8" LONG - BUFFER BELT IDLER)	1
		153-2006	FLAT WASHER - 3/8	2
		153-2016	LOCK WASHER - 3/8	1
		153-2025	HEX NUT - 3/8-16	2
		153-2405A	3/8-16 X 2-3/4" STEEL STUD	1
2	28	154-8244	BUFFER BRUSH ASSEMBLY - 3-3/4" Ø (HEAVY FILL)	1
		ATTACHING PARTS		
		153-2006	FLAT WASHER - 3/8	2
		153-2801	SHOULDER BOLT - 3/8 X 3/8 (5/16-18) BRUSH LIFT	2
		153-9803	FLANGED BUSHING (3/8 X 1/2 X 1/4)	2
		153-9816	3/4" FLANGED BEARING - 5/16-18 TAPPED	2
2	29	154-6202	GUARD FOR HEAD IDLER PULLEY & SENSORS	1
		ATTACHING PARTS		
		153-2005	FLAT WASHER - 5/16	4
		153-2027A	JAM NUT - 5/16-18	4
		153-2502	FHMS - 5/16-18 X 5	2
		153-2512	ACORN NUT - 5/16-18	2
2	30	154-0215	GRADUATED CYLINDER FOR CALIBRATION (25 ml)	1
		ATTACHING PARTS		
		154-0214	RETAINING CLIP FOR GRADUATED CYLINDER	1
		153-2019	LOCKNUT - 8-32 (NYLON)	1
		153-2086	MS PHILLIPS - 8-32 X 5/8	1
		154-0210	FELT FOR CLEANING 25 ml GRADUATED CYLINDERS	1
2	31	153-6417	GUIDE FOLLER MOUNTING BAR (ALUMINUM)	4
		ATTACHING PARTS		
		153-2005	FLAT WASHER - 5/16	2
		153-2015	LOCK WASHER - 5/16	2
		153-2061	HHCS - 5/16-18 X 1	2

DBA PHOENIX-S Operating Manual  
ATTACHING PARTS FOR MECHANICAL DRAWINGS

FIGURE NUMBER	INDEX NUMBER	PART NUMBER	PART NAME & DESCRIPTION	QUANTITY NEEDED
2	32	153-8205	VACUUM MOTOR ASSEMBLY - 110 VOLT/104 CFM	1
2	32	153-8805	VACUUM MOTOR ASSEMBLY - 220 VOLT/96 CFM	1
		ATTACHING PARTS		
		153-0204B	VACUUM MOTOR BRUSHES - FOR 110 VOLT (PAIR)	1
		153-0204C	VACUUM MOTOR BRUSHES - FOR 220 VOLT (PAIR)	1
		153-2004	FLAT WASHER - 1/4	12
		153-2014	LOCK WASHER - 1/4	3
		153-2023	HEX NUT - 1/4-20	6
		153-2020	LOCKNUT - 1/4-20 (NYLON)	3
		153-2233	HHCS - 1/4-20 X 3-1/4 (FULL THREAD)	3
2	33	153-8206	WATER SPRAY PUMP ASSEMBLY - 110 VOLT	1
2	33	153-8806	WATER SPRAY PUMP ASSEMBLY - 220 VOLT	1
		ATTACHING PARTS		
		153-2003	FLAT WASHER - #10	8
		153-2207	MS PHILLIPS - 10-24 X 1-1/4	4
		153-2208	LOCKNUT - 10-24 (NYLON)	4
2	34	153-6842	SQUEEGEE ROD END (5/16-18 X 4-5/8)	1
		ATTACHING PARTS		
		153-0211	SQUEEGEE ROD END WITH FITTING (ON MOTOR)	1
		153-1047	WIRE TIE (4")	1
		153-2214	JAM NUT - 5/16-24	1
		153-2226	FELT STRIP	1
2	35	153-6254	SQUEEGEE ARM SHAFT	1
		ATTACHING PARTS		
		153-2051A	SET SCREW - 1/4-20 X 1/4	2
2	36	153-8809	SQUEEGEE PIVOT ARM - PHOENIX RIGHT SIDE	1
		ATTACHING PARTS		
		153-0043	THICK FELT WASHER	1
		153-2036	SNAP RING - 5/8	1
		153-2045	STEEL COLLAR - 5/8 X 1-1/8 X 1/2	1
		153-2051A	SET SCREW - 1/4-20 X 1/4	1
2	37	153-8808	SQUEEGEE PIVOT ARM - PHOENIX LEFT SIDE	1
		ATTACHING PARTS		
		153-0043	THICK FELT WASHER	1
		153-2036	SNAP RING - 5/8	1
		153-2045	STEEL COLLAR - 5/8 X 1-1/8 X 1/2	1
		153-2051A	SET SCREW - 1/4-20 X 1/4	1

DBA PHOENIX-S Operating Manual  
ATTACHING PARTS FOR MECHANICAL DRAWINGS

FIGURE NUMBER	INDEX NUMBER	PART NUMBER	PART NAME & DESCRIPTION	QUANTITY NEEDED
2	38	153-0202A	COMPLETE SQUEEGEE ASSEMBLY (2-PIECE BROWN)	1
			ATTACHING PARTS	
		153-2004	FLAT WASHER - 1/4	4
		153-2014	LOCK WASHER - 1/4	2
		153-2023	HEX NUT - 1/4-20	2
		153-2052	HHCS - 1/4-20 X 7/8	2
		153-2078	FHMS - 1/4-20 X 3/4 (MOUNTING FOR 153-6423A)	4
		153-2403	COUNTERSUNK LOCK WASHER - 1/4 (UNDER SQUEEGEE)	4
		153-6243A	SQUEEGEE MOUNTING ANGLE - PHOENIX	1
2	39	153-6233	SQUEEGEE HOSE ADAPTER	1
			ATTACHING PARTS	
		153-2014	LOCK WASHER - 1/4	2
		153-2052A	BHSS - 1/4-20 X 7/8	2
		153-6243	SQUEEGEE MOUNTING ANGLE	1
2	40	153-8403	CONE-BRAKE MOTOR ASSEMBLY (7 RPM-110 VOLT)	2
2	40	153-8803	CONE-BRAKE MOTOR ASSEMBLY (7 RPM-220 VOLT)	2
			ATTACHING PARTS	
		153-2003	FLAT WASHER - #10	3
		153-2013	LOCK WASHER - #10	3
		153-2091	MS PHILLIPS - 10-32 X 3/4	3
		153-2604	MS FLAT PHILLIPS - 10-32 X 1/2	1
2	41	153-6412	LINODUSTER MOTOR SHIELD (DAYTON-7 RPM)	1
2	42	154-8202	COMPLETE LID ASSEMBLY - PX-S	1
			ATTACHING PARTS	
		153-2002	FLAT WASHER - #8	2
		153-2019	LOCKNUT - 8-32 (NYLOK)	2
		153-2086	MS PHILLIPS - 8-32 X 5/8	2
2	43	153-8238	CUSHION ROLLER ASSEMBLY (44")	1
			ATTACHING PARTS	
		153-0038B	HEAVY CUSHION WEIGHT - 42-3/4" (INSIDE ROLLER)	1
		153-2038	ROLL PIN - 1/8 X 1	2
		153-6422	CUSHION ROLLER SHAFT (45-7/8")	1
		153-9050	CUSHION ROLLER PLUG (1.660 X 0.140 X 0.375)	2
2	44	153-9050	CUSHION ROLLER PLUG	2

DBA PHOENIX-S Operating Manual  
ATTACHING PARTS FOR MECHANICAL DRAWINGS

FIGURE NUMBER	INDEX NUMBER	PART NUMBER	PART NAME & DESCRIPTION	QUANTITY NEEDED
2	45	154-8240	MOUNTING ANGLE FOR CORD SWIVEL	2
			ATTACHING PARTS	
		153-2005	FLAT WASHER - 5/16	4
		153-2015	LOCK WASHER - 5/16	2
		153-2024	HEX NUT - 5/16-18	2
		153-2062	HHCS - 5/16-18 X 1-1/4	2
2	46	154-6233	SWIVEL MOUNT FOR CORD	2
			ATTACHING PARTS	
		153-2515	SHOULDER BOLT - 3/8 X 1/2 (5/16-18) CORD	1
2	47	154-6235	MOUNTING ANGLE - KILL PLUG FOR POWER CORD	2
			ATTACHING PARTS	
		153-2002	FLAT WASHER - #8	2
		153-2019	LOCKNUT - 8-32 (NYLOK)	2
		153-2086	MS PHILLIPS - 8-32 X 5/8	2
2	48	154-8209	CABLE ASSEMBLY FOR CORD	1
			ATTACHING PARTS	
		153-2518	SPRING CLAMP FOR CORD (0.437 OD)	1

DBA PHOENIX-S Operating Manual  
 ATTACHING PARTS FOR MECHANICAL DRAWINGS

FIGURE NUMBER	INDEX NUMBER	PART NUMBER	PART NAME & DESCRIPTION	QUANTITY NEEDED
3	1	153-6840	SUPPLY TANK (1-1/2 GALLON CAPACITY)	1
		ATTACHING PARTS		
		153-0830	PROTECTIVE SLEEVE FOR ALL-THREAD (5-1/2")	1
		153-2004	FLAT WASHER - 1/4	8
		153-2014	LOCK WASHER - 1/4	2
		153-2020	LOCKNUT - 1/4-20 (NYLON)	2
		153-2023	HEX NUT - 1/4-20	4
		153-2029	ACORN NUT - 1/4-20	2
		153-2821	SUPPLY TANK MOUNTING ROD (7-1/2" ALL-THREAD)	2
		153-6847	MOUNTING BAR FOR SUPPLY TANK	1
3	2	153-0246	PLUG - MPT (1-1/2" PVC - SCH 40)	1
3	3	153-0216	ELBOW (1/4 - MPT X 1/4 - FPT) NOTE: USE TEFLON TAPE WHEN REPLACING FITTING	1
3	4	153-0217	MALE BODY (1/4 - NYLON) NOTE: USE TEFLON TAPE WHEN REPLACING FITTING	4
3	5	154-0212	TANK FILTER (5" SS)	1
3	6	153-0209	MALE CONNECTOR (1/4 X 1/4 - MPT) NOTE: USE TEFLON TAPE WHEN REPLACING FITTING	2
3	7	153-0218	TIP RETAINER CAP CONNECTOR	4
3	8	153-0806A	SPRAY HOSE - SUPPLY TANK TO PUMP (23") ATTACHING PARTS	1
		153-1047	WIRE TIE (4")	2
3	9	153-8206	WATER SPRAY PUMP ASSEMBLY - 110 VOLT	1
3	9	153-8806	WATER SPRAY PUMP ASSEMBLY - 220 VOLT ATTACHING PARTS	1
		153-2003	FLAT WASHER - #10	8
		153-2207	MS PHILLIPS - 10-24 X 1-1/4	4
		153-2208	LOCKNUT - 10-24 (NYLON)	4
3	10	153-0212	MALE ELBOW (1/4 X 3/8 - MPT) NOTE: USE TEFLON TAPE WHEN REPLACING FITTING	2
3	11	153-0807	SPRAY HOSE - PUMP TO TEE (7")	1
3	12	153-0815	UNION TEE (1/4 X 1/4 X 1/4 - QUICK DISCONNECT)	4

DBA PHOENIX-S Operating Manual  
 ATTACHING PARTS FOR MECHANICAL DRAWINGS

FIGURE NUMBER	INDEX NUMBER	PART NUMBER	PART NAME & DESCRIPTION	QUANTITY NEEDED
3	13	153-0809	PRESSURE REGULATOR HOSE - TEE TO TANK NOTE: METERING TUBE IS INSIDE THE HOSE	1
3	14	154-8225	SPRAY HOSE - TEE TO LEFT OUTSIDE JET	1
3	15	153-0818	MALE SWIVEL ELBOW - 1/4 TUBE X 1/4 NPT NOTE: USE TEFLON TAPE WHEN REPLACING FITTING	4
3	16	153-6252	SPRAY JET BODY ATTACHING PARTS	4
		153-2005	FLAT WASHER - 5/16	1
		153-2015	LOCK WASHER - 5/16	1
		153-2225	HHCS - 5/16-18 X 2-1/2	1
3	17	153-6251A	SPRAY JET MOUNTING BLOCK - ANGLED ATTACHING PARTS	4
		153-2004	FLAT WASHER - 1/4	2
		153-2014	LOCK WASHER - 1/4	2
		153-2052	HHCS - 1/4-20 X 7/8	2
3	18	153-0220	SCREEN CHECK VALVE (POLYPROPYLENE - 10#)	4
3	19	154-0007	SPRAY TIP - STAINLESS STEEL (1501)	2
3	20	153-0816	SPRAY TIP - STAINLESS STEEL (8002)	2
3	21	154-8226	SPRAY HOSE - LEFT JET TO LEFT MIDDLE JET	1
3	22	154-8227	SPRAY HOSE - LEFT MIDDLE TO RIGHT MIDDLE JET	1
3	23	154-8228	SPRAY HOSE - RIGHT MIDDLE TO RT OUTSIDE JET	1

DBA PHOENIX-S Operating Manual  
ATTACHING PARTS FOR MECHANICAL DRAWINGS

FIGURE NUMBER	INDEX NUMBER	PART NUMBER	PART NAME & DESCRIPTION	QUANTITY NEEDED
4	1	153-8207	CONE-BRAKE MOTOR ASSEMBLY (25 RPM-110 VOLT)	1
4	1	153-8807	CONE-BRAKE MOTOR ASSEMBLY (25 RPM-220 VOLT)	1
		ATTACHING PARTS		
		153-2813	MS FLAT PHILLIPS - 10-32 X 3/4	4
4	2	154-6243	MOTOR CAM - DUAL LOBES (3/8 & 5/8 OFFSET)	1
		ATTACHING PARTS		
		153-2051	SET SCREW - 1/4-20 X 1/2	1
4	3	153-1203	MICROSWITCH - WITH ROLLER (SQUEEGEE & BRUSH)	2
		ATTACHING PARTS		
		153-2505	MS PHILLIPS - 4-40 X 1	2
4	4	153-6832B	MOUNTING ANGLE-25 RPM MOTOR (SQUEEGEE)	1
		ATTACHING PARTS		
		153-2403	COUNTERSUNK LOCK WASHER - 1/4	2
		153-2078	FHMS - 1/4-20 X 3/4	2
		153-9807	BEARING FOR MOTOR SHAFT	1
4	5	153-2027A	JAM NUT - 5/16-18	1
4	6	153-2005	FLAT WASHER - 5/16	2
4	7	153-0211	SQUEEGEE ROD END WITH FITTING (ON MOTOR)	1
4	8	153-2062	HHCS - 5/16-18 X 1-1/4	1
4	9	153-2214	JAM NUT - 5/16-24	1

DBA PHOENIX-S Operating Manual  
ATTACHING PARTS FOR MECHANICAL DRAWINGS

FIGURE NUMBER	INDEX NUMBER	PART NUMBER	PART NAME & DESCRIPTION	QUANTITY NEEDED
5	1	153-1031A	PASS-THROUGH SENSOR	1
		ATTACHING PARTS		
		153-2001	FLAT WASHER - #6	2
		153-2081	MS PHILLIPS - 6-32 X 1/2	2
5	2	153-1031B	SENSOR PLUG & CABLE	1
5	3	153-1049D	WIRE HARNESS CLAMP - 1/8	1
		ATTACHING PARTS		
		153-2113	MS PHILLIPS - 8-32 X 3/8 (SELF TAP)	1
5	4	153-7002AA	LANE DISTANCE COUNTER WHEEL-TREADED (2")	2
		ATTACHING PARTS		
		153-2050	SET SCREW - 1/4-28 X 3/8	2
5	5	153-9110	COUNTER SPROCKET (10-TOOTH)	1
		ATTACHING PARTS		
		153-2051A	SET SCREW - 1/4-20 X 1/4 (INCLUDED)	1
5	6	153-2010	NYLON FLAT WASHER (1/2 - 0.030)	6 or 7
5	7	153-8031	LANE DISTANCE PILLOWBLOCK ASSEMBLY (RIGHT)	1
		ATTACHING PARTS		
		153-2005	FLAT WASHER - 5/16	2
		153-2015	LOCK WASHER - 5/16	2
		153-2061	HHCS - 5/16-18 X 1	2
5	8	153-8049	LANE DISTANCE SENSOR GUARD ASSEMBLY	1
		ATTACHING PARTS		
		153-2086A	MS PHILLIPS - 8-32 X 3/8	3
5	9	153-2047	SQUARE HEAD SET SCREW - 3/8 X 2	2
5	10	153-2027	JAM NUT - 3/8-16	2
5	11	153-6027	LANE DISTANCE ADJUSTMENT BLOCK	2
		ATTACHING PARTS		
		153-2027	JAM NUT - 3/8	1
		153-2047	SQUARE HEAD SET SCREW - 3/8 X 2	1
		153-2802	FHSS - 5/16-18 X 5/8	2
5	12	153-7401	UHMW KICK-UP WHEEL	2
		ATTACHING PARTS		
		153-2413	SNAP RING - 1/2	2

DBA PHOENIX-S Operating Manual  
ATTACHING PARTS FOR MECHANICAL DRAWINGS

FIGURE NUMBER	INDEX NUMBER	PART NUMBER	PART NAME & DESCRIPTION	QUANTITY NEEDED
6	1	154-8210	CIRCUIT BOARD ASSEMBLY-110V SPEED CONTROL	1
6	1	154-8211	CIRCUIT BOARD ASSEMBLY-220V SPEED CONTROL	1
		ATTACHING PARTS		
		153-2019	LOCKNUT - 8-32 (NYLON)	2
		153-2806	FLAT HEAD PHILLIPS - 8-32 X 5/8	2
6	2	153-1012	SPEED CONTROL FOR DC MOTOR FOR 110 VOLT	1
		ATTACHING PARTS		
		153-2019	LOCKNUT - 8-32 (NYLON)	2
		153-2806	FLAT HEAD PHILLIPS - 8-32 X 5/8	2
6	3	153-1812	SPEED CONTROL FOR DC MOTOR FOR 220 VOLT	1
		ATTACHING PARTS		
		153-2019	LOCKNUT - 8-32 (NYLON)	2
		153-2806	FLAT HEAD PHILLIPS - 8-32 X 5/8	2
7	1	153-8207	CONE-BRAKE MOTOR ASSEMBLY (25 RPM-110 VOLT)	1
7	1	153-8807	CONE-BRAKE MOTOR ASSEMBLY (25 RPM-220 VOLT)	1
		ATTACHING PARTS		
		153-2813	MS FLAT PHILLIPS - 10-32 X 3/4	4
7	2	154-6243	MOTOR CAM - DUAL LOBES (3/8 & 5/8 OFFSET)	1
		ATTACHING PARTS		
		153-2051	SET SCREW - 1/4-20 X 1/2	1
7	3	153-1203	MICROSWITCH - WITH ROLLER (SQUEEGEE & BRUSH)	2
		ATTACHING PARTS		
		153-2505	MS PHILLIPS - 4-40 X 1	2
7	4	154-6247	MOUNTING ANGLE-25 RPM MOTOR (BRUSH LIFT)	1
		ATTACHING PARTS		
		153-2004	FLAT WASHER - 1/4	2
		153-2014	LOCK WASHER - 1/4	2
		153-2052	HHCS - 1/4-20 X 7/8	2
		153-9807	BEARING FOR MOTOR SHAFT	1
7	5	153-8818	CONNECTING LINK ASSEMBLY - MOTOR CAM/PIVOT	1
		ATTACHING PARTS		
		153-2024	HEX NUT - 5/16-18	1
		153-2801	SHOULDER BOLT - 3/8 X 3/8 (5/16-18) BRUSH LIFT	2
7	6	153-6814	PIVOT SHAFT ASSEMBLY FOR LIFTING BRUSH	1
		ATTACHING PARTS		
		153-2804	COLLAR - 3/8 X 3/4 X 3/8	2
		153-9803	FLANGED BUSHING (3/8 X 1/2 X 1/4)	2

DBA PHOENIX-S Operating Manual  
ATTACHING PARTS FOR MECHANICAL DRAWINGS

FIGURE NUMBER	INDEX NUMBER	PART NUMBER	PART NAME & DESCRIPTION	QUANTITY NEEDED
7	7	153-8819L	CONNECTING LINK ASSEMBLY-PIVOT-LEFT	1
		ATTACHING PARTS		
		153-2024	HEX NUT - 5/16-18	1
		153-2801	SHOULDER BOLT - 3/8 X 3/8 (5/16-18) BRUSH LIFT	2
7	8	153-9816	3/4" FLANGED BEARING - 5/16-18 TAPPED	2
		ATTACHING PARTS		
		153-2006	FLAT WASHER - 3/8	1
		153-2801	SHOULDER BOLT - 3/8 X 3/8 (5/16-18) BRUSH LIFT	1
		153-9803	FLANGED BUSHING (3/8 X 1/2 X 1/4)	1
7	9	154-8244	BUFFER BRUSH ASSEMBLY - 3-3/4" Ø (HEAVY FILL)	1
		FOR ATTACHING PARTS SEE FIGURE 2:28		
7	10	153-2804	COLLAR - 3/8 X 3/4 X 3/8	2
7	11	153-9803	FLANGED BUSHING (3/8 X 1/2 X 1/4)	2
7	12	153-2801	SHOULDER BOLT - 3/8 X 3/8 (5/16-18) BRUSH LIFT	6
7	13	153-6858	SHIELD FOR MOTOR (BRUSH LIFT)	1
		ATTACHING PARTS		
		153-1049A	WIRE HARNESS CLAMP - 1/4	1
		153-2086A	MS PHILLIPS - 8-32 X 3/8	2
		153-2417	GROMMET - 15/16" OD	2

DBA PHOENIX-S Operating Manual  
ATTACHING PARTS FOR MECHANICAL DRAWINGS

FIGURE NUMBER	INDEX NUMBER	PART NUMBER	PART NAME & DESCRIPTION	QUANTITY NEEDED
8	1	154-8220	TUBING - ROUTING VALVE TO OIL HEAD TIP (34.5")	1
8	2	154-8209	TIP HOLDER FOR OIL TUBING	1
		ATTACHING PARTS		
		153-2049	SET SCREW - 8-32 X 3/16	2
8	3	154-8213	PENCIL TIP FOR OIL HEAD	1
8	4	154-8241	MOUNT FOR PENCIL TIP	1
		ATTACHING PARTS		
		153-2501	FLAT HEAD PHILLIPS - 8-32 X 1-1/2	2
		153-2019	LOCKNUT - 8-32 (NYLOK)	2
8	5	154-8230	UHMW SLIDING HEAD	1
8	6	154-8230C	UHMW SLIDING HEAD (COUNTERSUNK HOLE)	1
		ATTACHING PARTS FOR ASSEMBLY		
		153-2501	FLAT HEAD PHILLIPS - 8-32 X 1-1/2	3
		154-0202A	PENCIL TUBING STOCK	1/8"
		153-2520	FLAT HEAD PHILLIPS - 8-32 X 1-1/4	1
		153-2019	LOCKNUT - 8-32 (NYLOK)	4
8	7	154-8219	MOUNTING PLATE - HEAD BELT	1
		ATTACHING PARTS		
		153-2504	MS PHILLIPS - 4-40 X 3/8	1
		153-2514	FLAT HEAD PHILLIPS - 8-32 X 5/8 (SELF TAP)	4
8	8	154-1220	INDUCTIVE PROXIMITY SENSOR (TL-Q5MCI)	2
		ATTACHING PARTS		
		153-2505	MS PHILLIPS - 4-40 X 1	2
8	9	154-8204R	TRANSFER ROLLER ARM - TOP RIGHT	1
		ATTACHING PARTS		
		153-2005	FLAT WASHER - 5/16	2
		153-2015	LOCK WASHER - 5/16	2
		153-2024	HEX NUT - 5/16-18	2
		153-2513	FHSS - 5/16-18 X 1-1/2	2

DBA PHOENIX-S Operating Manual  
ATTACHING PARTS FOR MECHANICAL DRAWINGS

FIGURE NUMBER	INDEX NUMBER	PART NUMBER	PART NAME & DESCRIPTION	QUANTITY NEEDED
8	10	154-8205R	TRANSFER ROLLER ARM - BOTTOM RIGHT	1
		ATTACHING PARTS		
		153-2004	FLAT WASHER - 1/4	1
		153-2014	LOCK WASHER - 1/4	1
		153-2056	HHCS - 1/4-20 X 1-3/4	1
		153-2038	ROLL PIN - 1/8 X 1	1
8	11	154-8207	TRANSFER ROLLER ASSEMBLY - 2.25 Ø (TOP)	1
8	12	154-8208	TRANSFER ROLLER ASSEMBLY - 1.75 Ø (BOTTOM)	1
8	13	154-8244	BUFFER BRUSH ASSEMBLY - 3-3/4" Ø (HEAVY FILL)	1
		FOR ATTACHING PARTS SEE FIGURE 2:28		
8	14	153-2519	SQUARE HEAD SET SCREW - 1/4-20 X 2	2
		ATTACHING PARTS		
		153-2304	JAM NUT - 1/4-20	1
8	15	154-8203A	GUARD FOR TRANSFER COMPARTMENT	1
		FOR ATTACHING PARTS SEE FIGURE 1:33		
8	16	154-8210	BAR FOR HEAD DRIVE SYSTEM	1
		ATTACHING PARTS		
		153-2013	LOCK WASHER - #10	4
		153-2086A	MS PHILLIPS - 8-32 X 3/8	4

DBA PHOENIX-S Operating Manual  
 ATTACHING PARTS FOR MECHANICAL DRAWINGS

FIGURE NUMBER	INDEX NUMBER	PART NUMBER	PART NAME & DESCRIPTION	QUANTITY NEEDED
9	1	153-8238	CUSHION ROLLER ASSEMBLY (DMR LINODUSTER=44")	1
		ATTACHING PARTS		
		153-0038B	HEAVY CUSHION WEIGHT - 40" (INSIDE ROLLER)	1
		153-2038	ROLL PIN - 1/8 X 1	2
		153-6422	CUSHION ROLLER SHAFT (45-7/8")	1
		153-9050	CUSHION ROLLER PLUG (1.660 X 0.140 X 0.375)	2
9	2	153-8420	CUSHION ROLLER PIVOT ARM ASSEMBLY	2
		NOTE: PLACE WASHER BETWEEN THE ARM & THE SIDE PLATE		
		ATTACHING PARTS		
		153-2005	FLAT WASHER - 5/16	1
		153-2020A	LOCKNUT - 1/4-20 (STOVER)	1
		153-2090	MS PHILLIPS - 8-32 X 1-1/2	1
		153-2408	SHOULDER BOLT - 5/16 X 1/2 (1/4-20) CUSHION PIVOT	1
		153-2414	HEX NUT - 8-32	1
9	3	153-2090	MS PHILLIPS - 8-32 X 1-1/2	2
9	4	153-2414	HEX NUT - 8-32	2
9	5	153-1202	MICROSWITCH - WITHOUT ROLLER (DMR)	4
		ATTACHING PARTS		
		153-2001	FLAT WASHER - #6	2
		153-2216A	MS PHILLIPS - 4-40 X 7/8	2
		153-2231	LOCKNUT 4-40 (NYLOK)	2
9	6	153-6825	LINODUSTER CLOTH ROUTING BAR (SS)	1
		ATTACHING PARTS		
		153-2409	SHOULDER BOLT - 1/4 X 3/8 (10-24) LINODUSTER ROD	2
		153-9409	FLANGED BUSHING (1/4 X 3/8 X 1/4)	2
9	7	153-8824	PVC TAKE-UP REEL ASSEMBLY (PHOENIX=44-5/8")	1
		FOR ATTACHING PARTS SEE FIGURE 151		
9	8	153-0429	DMR LINODUSTER TAKE-UP SUPPORT PIPE (40")	1
9	9	153-2412	SHCS - 1/4-20 X 1/2 (CUSHION ROLLER STOP)	4
		ATTACHING PARTS		
		153-2020	LOCKNUT - 1/4-20 (NYLOK)	1
9	10	153-2232A	LID LATCH - FLUSH MOUNT DUAL BUTTON	2

DBA PHOENIX-S Operating Manual  
 ATTACHING PARTS FOR MECHANICAL DRAWINGS

FIGURE NUMBER	INDEX NUMBER	PART NUMBER	PART NAME & DESCRIPTION	QUANTITY NEEDED
10	1	153-1031A	PASS-THROUGH SENSOR	1
		ATTACHING PARTS		
		153-2001	FLAT WASHER - #6	2
		153-2081	MS PHILLIPS - 6-32 X 1/2	2
10	2	153-1031B	SENSOR PLUG & CABLE	1
10	3	153-1049D	WIRE HARNESS CLAMP - 1/8	1
		ATTACHING PARTS		
		153-2113	MS PHILLIPS - 8-32 X 3/8 (SELF TAP)	1
10	4	153-9110	COUNTER SPROCKET (10-TOOTH)	1
		ATTACHING PARTS		
		153-2051A	SET SCREW - 1/4-20 X 1/4	1
10	5	153-8815	DRIVE SHAFT PILLOWBLOCK ASSEMBLY - TACH	1
		ATTACHING PARTS		
		153-0043	THICK FELT WASHER	1
		153-2006	FLAT WASHER - 3/8	4
		153-2016	LOCK WASHER - 3/8	2
		153-2025	HEX NUT - 3/8-16	2
		153-2036	SNAP RING - 5/8	1
		153-2235	HHCS - 3/8-16 X 3-1/4	2
10	6	153-6859	SENSOR GUARD FOR TACHOMETER	1
		ATTACHING PARTS		
		153-2006	FLAT WASHER - 3/8	4
		153-2016	LOCK WASHER - 3/8	2
		153-2025	HEX NUT - 3/8-16	2
		153-2072	HHCS - 3/8-16 X 3-1/2	2
10	7	153-7013	URETHANE-BLEND LANE DRIVE WHEEL (4" TREADED)	2
		ATTACHING PARTS		
		153-2819	SET SCREW - 5/16-24 X 3/8	2



DBA PHOENIX-S Operating Manual  
ATTACHING PARTS FOR MECHANICAL DRAWINGS

FIGURE NUMBER	INDEX NUMBER	PART NUMBER	PART NAME & DESCRIPTION	QUANTITY NEEDED
11	1	153-1018	LY3 RELAY (110 VOLT)	2
11	1	153-1618	LY3 RELAY (220 VOLT)	2
		ATTACHING PARTS		
		153-1020	RELAY CLAMP	2
11	2	153-1019	LY3 RELAY BASE	2
		ATTACHING PARTS		
		153-2019	LOCKNUT - 8-32 (NYLOK)	2
		153-2087	MS PHILLIPS - 8-32 X 3/4	2
11	3	153-1016	LY2 RELAY (110 VOLT)	2
11	3	153-1616	LY2 RELAY (220 VOLT)	2
		ATTACHING PARTS		
		153-1020	RELAY CLAMP	2
11	4	153-1017	LY2 RELAY BASE	2
		ATTACHING PARTS		
		153-2019	LOCKNUT - 8-32 (NYLOK)	2
		153-2087	MS PHILLIPS - 8-32 X 3/4	2
11	5	153-1011	BRAKE RESISTOR	1
11	6	153-1021	TERMINAL BLOCK	1
		ATTACHING PARTS		

DBA PHOENIX-S Operating Manual  
ATTACHING PARTS FOR MECHANICAL DRAWINGS

FIGURE NUMBER	INDEX NUMBER	PART NUMBER	PART NAME & DESCRIPTION	QUANTITY NEEDED
12	1	154-8201	OIL TANK ASSEMBLY - PX-S	1
		ATTACHING PARTS		
		153-2004	FLAT WASHER - 1/4	8
		153-2014	LOCK WASHER - 1/4	4
		153-2023	HEX NUT - 1/4-20	4
		153-2053	HHCS - 1/4-20 X 1	4
12	2	154-0232D	MALE CONNECTOR - 1/2" TUBE x 1/2" NPT (DRILLED)	2
		NOTE: USE TEFLON TAPE WHEN REPLACING FITTING		
12	3	154-0231	PLUG - 1/2" TUBE ID	2
12	4	154-0223	ELBOW (90 DEGREE) - 1/4 NPT x 1/4" TUBE	4
		NOTE: USE TEFLON TAPE WHEN REPLACING FITTING		
12	5	154-0227	ELBOW - TUBE TO HOSE BARB (1/4" STEM x 5/16)	2
12	6	154-8214	TUBING - 5/16 CLEAR PVC (5.25")	1
12	7	154-0225	ELBOW - 3/8 TUBE OD x 1/4 NPT	1
		NOTE: USE TEFLON TAPE WHEN REPLACING FITTING		
12	8	153-1054	3/8" PLUG (GRAY PLASTIC)	1
12	9	154-0212	TANK FILTER (5" SS)	1
		NOTE: USE TEFLON TAPE WHEN REPLACING FITTING		
12	10	154-8215	TUBING - OIL TANK TO PUMP (32.75")	1
12	11	154-0221	BULKHEAD UNION - 1/4" TUBING	1

DBA PHOENIX-S Operating Manual  
ATTACHING PARTS FOR MECHANICAL DRAWINGS

FIGURE NUMBER	INDEX NUMBER	PART NUMBER	PART NAME & DESCRIPTION	QUANTITY NEEDED
12	12	154-0222	ELBOW - 1/4" STEM x 1/4" TUBING OD	1
12	13	154-8224	TUBING - CALIBRATION FITTING TO TIP	1
12	14	154-8213A	TIP FOR CALIBRATION	1
12	15	154-8223	TUBING - FLOOR FITTING TO CALIBRATION FITTING	1
12	16	154-8218	TUBING - RETURN FITTING TO OIL TANK	1
12	17	154-6244	MOUNTING PLATE - OIL TANK FLOAT	1
			NOTE: USE A SMALL AMOUNT OF SILICONE TO SEAL THE PLATE	
			ATTACHING PARTS	
		153-2013	LOCK WASHER - #10	4
		153-2086	MS PHILLIPS - 8-32 X 5/8	4
12	18	154-8203	FLOAT SWITCH ASSEMBLY (OIL TANK)	1
			NOTE: USE TEFLON TAPE WHEN REPLACING FLOAT	
12	19	154-1212	VALVE FOR TANK VENT - 115V AC 2-WAY	1
			ATTACHING PARTS	
		153-2504	MS PHILLIPS - 4-40 X 3/8	2
12	20	154-8246	FILTER ASSEMBLY FOR VENT VALVE	1
12	21	154-8221	TUBING - OIL TANK TO VENT VALVE (CLEAR TYGON)	1
12	22	154-6240	MOUNT ANGLE - TANK VENT VALVE	1
			ATTACHING PARTS	
		153-2019	LOCKNUT - 8-32 (NYLOK)	2
		153-2806	FHMS - 8-32 X 5/8	2

DBA PHOENIX-S Operating Manual  
ATTACHING PARTS FOR MECHANICAL DRAWINGS

FIGURE NUMBER	INDEX NUMBER	PART NUMBER	PART NAME & DESCRIPTION	QUANTITY NEEDED
13	1	154-8206	TRANSFER ROLLER MOTOR - 25 RPM (110V)	1
		154-8206A	TRANSFER ROLLER MOTOR - 25 RPM (220V)	1
			ATTACHING PARTS	
		153-2002	FLAT WASHER - #8	7
		153-2019	LOCKNUT - 8-32 (NYLOK)	4
		153-2816	MS PHILLIPS - 8-32 X 2 (SS)	4
13	2	153-6849	MOUNTING ANGLE - TRANSFER ROLLER MOTOR	1
			ATTACHING PARTS	
		153-2005	FLAT WASHER - 5/16	4
		153-2015	LOCK WASHER - 5/16	2
		153-2024	HEX NUT - 5/16-18	2
		153-2061	HHCS - 5/16-18 X 1	2
13	3	153-9010	SPROCKET - 25B15 (TRANSFER DRIVE-3/8")	4
			ATTACHING PARTS	
		153-2051A	SET SCREW - 1/4-20 X 1/4	1
13	4	154-8247	IDLER SPROCKET ASSEMBLY (TRANSFER - 25B10)	1
			ATTACHING PARTS	
		153-9028A	PLAIN BUSHING (1/4 X 5/16 X 1/2)	1
13	5	154-9209	TRANSFER ROLLER TOP DRIVE CHAIN (25P65)	1
			ATTACHING PARTS	
		153-9045	25 MASTER LINK	1
13	6	154-9210	TRANSFER ROLLER BOTTOM DRIVE CHAIN (25P31)	1
			ATTACHING PARTS	
		153-9045	25 MASTER LINK	1
13	7	154-6236	IDLER FOR TRANSFER CHAIN - DELFRIN	1
			ATTACHING PARTS	
		153-2004	FLAT WASHER - 1/4	4
		153-2014	LOCK WASHER - 1/4	1
		153-2023	HEX NUT - 1/4-20	2
		153-2055	HHCS - 1/4-20 X 1-1/2	1
13	8	154-8244	BUFFER BRUSH ASSEMBLY - 3-3/4" Ø (HEAVY FILL)	1
			FOR ATTACHING PARTS SEE FIGURE 2:28	
13	9	154-0228	FELT FOR TRANSFER GUARD (1/8" GRAY)	1

DBA PHOENIX-S Operating Manual  
ATTACHING PARTS FOR MECHANICAL DRAWINGS

FIGURE NUMBER	INDEX NUMBER	PART NUMBER	PART NAME & DESCRIPTION	QUANTITY NEEDED
14	1	154-8238	SENSOR ACTUATOR ASSEMBLY (6-TOOTH)	1
		ATTACHING PARTS		
		153-2049	SET SCREW - 8-32 X 3/16	2
14	2	153-1031A	PASS-THROUGH SENSOR	2
		ATTACHING PARTS		
		153-2001	FLAT WASHER - #6	2
		153-2522	MS PHILLIPS - 4-40 X 1/2	2
		154-6211	MOUNTING BAR FOR PASS-THRU SENSOR	1
14	3	153-1031B	SENSOR PLUG & CABLE	2
14	4	154-6211	MOUNTING BAR FOR PASS-THRU SENSOR	2
14	5	154-6216	MOUNTING PLATE - HEAD TIMING SENSORS	1
		ATTACHING PARTS		
		153-2086A	MS PHILLIPS - 8-32 X 3/8	1
		153-2013	LOCK WASHER - #10	1
14	6	153-2086A	MS PHILLIPS - 8-32 X 3/8	1
14	7	153-2013	LOCK WASHER - #10	1
14	8	154-8243	MOUNTING BRACKET ASSEMBLY FOR TIMING PULLEY SHAFT	1
		ATTACHING PARTS		
		153-2502	FHMS - 5/16-18 X 5	2
		153-2005	FLAT WASHER - 5/16	4
		153-2015	LOCK WASHER - 5/16	2
		153-2024	HEX NUT - 5/16-18	4
		153-2027A	JAM NUT - 5/16-18	2
14	9	154-6212	SHAFT FOR IDLER PULLEY	1
14	10	153-2510	NYLON WASHER - 1/4 (0.060)	3
14	11	154-9204	PULLEY - HEAD IDLER (32XL-1/4)	1
		ATTACHING PARTS		
		153-2049	SET SCREW - 8-32 X 3/16	1
14	12	154-9201	HEAD BELT - XL025	1
		NOTE: USE 1-5/8" PIECE OF BELT TO LOCK TEETH TOGETHER IN THE HEAD		
		ATTACHING PARTS		
		153-2504	MS PHILLIPS - 4-40 X 3/8	1
		153-2514	FLAT HEAD PHILLIPS - 8-32 X 5/8 (SELF TAP)	4
		154-6219	MOUNTING PLATE - HEAD BELT	1
		154-9201A	BELT RETAINER - XL025 (1-5/8")	1

DBA PHOENIX-S Operating Manual  
ATTACHING PARTS FOR MECHANICAL DRAWINGS

FIGURE NUMBER	INDEX NUMBER	PART NUMBER	PART NAME & DESCRIPTION	QUANTITY NEEDED
14	13	154-6215	MOUNTING BRACKET-HEAD DRIVE BAR (RIGHT)	1
		ATTACHING PARTS		
		153-2004	FLAT WASHER - 1/4	2
		153-2014	LOCK WASHER - 1/4	2
		153-2052	HHCS - 1/4-20 X 7/8	2
14	14	153-2502	FHMS - 5/16-18 X 5	2
14	15	153-2005	FLAT WASHER - 5/16	10
14	16	153-2015	LOCK WASHER - 5/16	6
14	17	153-2024	HEX NUT - 5/16-18	6
14	18	153-2027A	JAM NUT - 5/16-18	6
14	19	153-2512	ACORN NUT - 5/16-18	2
14	20	154-6202	GUARD FOR HEAD IDLER PULLEY & TIMING SENSORS	1
		ATTACHING PARTS		
		153-2502	FHMS - 5/16-18 X 5	2
		153-2005	FLAT WASHER - 5/16	4
		153-2015	LOCK WASHER - 5/16	2
		153-2027A	JAM NUT - 5/16-18	4
		153-2512	ACORN NUT - 5/16-18	2
14	21	154-6210	BAR FOR HEAD DRIVE SYSTEM	1
		FOR ATTACHING PARTS SEE FIGURE 8:16		
14	22	154-1220	INDUCTIVE PROXIMITY SENSOR (TL-05MC1)	2
		FOR ATTACHING PARTS SEE FIGURE 8:8		
14	23	153-2040	SPOOL GROMMET - 1/2	1

DBA PHOENIX-S Operating Manual  
ATTACHING PARTS FOR MECHANICAL DRAWINGS

FIGURE NUMBER	INDEX NUMBER	PART NUMBER	PART NAME & DESCRIPTION	QUANTITY NEEDED
15	1	154-1207	MOTOR CAPACITOR (4.5 µF) HEAD DRIVE & OIL PUMP	1
			ATTACHING PARTS	
		153-2019	LOCKNUT - 8-32 (NYLON)	1
		153-2086	MS PHILLIPS - 8-32 X 5/8	1
15	2	154-8234	MOTOR ASSEMBLY FOR METERING PUMP-110V PX-S	1
			ATTACHING PARTS	
		153-1038	WIRE JOINT - 22-18 AWG (INCLUDED W/MOTOR ASSEMBLY)	1
		153-2013	LOCK WASHER - #10	4
		153-2087	MS PHILLIPS - 8-32 X 3/4	4
15	3	154-8239	SENSOR ACTUATOR & TIMING PULLEY FOR PUMP	1
			ATTACHING PARTS	
		153-2049	SET SCREW - 8-32 X 3/16	1
15	4	153-1031A	PASS-THROUGH SENSOR	1
			ATTACHING PARTS	
		153-2081	MS PHILLIPS - 6-32 X 1/2	
15	5	153-1031B	SENSOR PLUG & CABLE	1
		154-9202A	BELT FOR METERING PUMP (130XL037)	1
15	7	154-9208	PULLEY - METERING PUMP (12XL-5/16)	1
			ATTACHING PARTS	
		153-2049	SET SCREW - 8-32 X 3/16	1
15	8	154-1214	FLUID METERING PUMP (RHOCKC) - 0.05 ml/STROKE	1
			ATTACHING PARTS	
		153-2013	LOCK WASHER - #10	2
		153-2087	MS PHILLIPS - 8-32 X 3/4	2
15	9	154-6223	MOUNTING ANGLE - PUMP & MOTOR	1
			ATTACHING PARTS	
		153-2503	FHSS - 5/16-18 X 1-1/4	2
		153-2005	FLAT WASHER - 5/16	2
		153-2015	LOCK WASHER - 5/16	2
		153-2024	HEX NUT - 5/16-18	2

DBA PHOENIX-S Operating Manual  
ATTACHING PARTS FOR MECHANICAL DRAWINGS

FIGURE NUMBER	INDEX NUMBER	PART NUMBER	PART NAME & DESCRIPTION	QUANTITY NEEDED
15	10	154-0226	ELBOW - TUBE TO HOSE BARB (1/4" STEM x 1/4")	1
		154-8215	TUBING - OIL TANK TO PUMP (32.75")	1
15	12	154-0218	GROMMET - 7/16 ID x 1/4 PANEL	1
		154-0227	ELBOW - TUBE TO HOSE BARB (1/4" STEM x 5/16)	2
15	14	154-8216	TUBING (VITON) - PUMP TO METERING VALVE (9.25")	1
			NOTE: INSPECT TUBING REGULARLY & REPLACE WHEN IT SHOWS FATIGUE	
			ATTACHING PARTS	
		153-2517	HOSE CLAMP (5/16")	2
15	15	154-0224	MALE CONNECTOR - 1/4" TUBE x 1/8 NPT	4
			NOTE: USE TEFLON TAPE WHEN REPLACING FITTING	
		154-0234	TEE FITTING - 1/8 NPT (PRESSURE GAUGE MOUNT)	1
			NOTE: USE TEFLON TAPE WHEN REPLACING FITTING	
15	17	154-1225	PRESSURE GAUGE (0-30 PSI) - 1-1/2 DIA	1
			NOTE: USE TEFLON TAPE WHEN REPLACING THE GAUGE	
		154-0233	3/4" x 1/8" NPT GALVANIZED NIPPLE (VALVE)	2
			NOTE: USE TEFLON TAPE WHEN REPLACING FITTING	
15	19	154-1222	NEEDLE VALVE - 1/8 NPT (OIL PRESSURE CONTROL)	1
			NOTE: USE TEFLON TAPE WHEN REPLACING THE VALVE	
		154-1209	VALVE FOR OIL CONTROL - 24V DC 3-WAY	1
			ATTACHING PARTS	
		153-2504	MS PHILLIPS - 4-40 X 3/8	2
		153-2506	SLOTTED SHIM WASHER - 3/8	1
15	21	154-1210	VALVE FOR CALIBRATION - 115V AC 3-WAY	1
			ATTACHING PARTS	
		153-2504	MS PHILLIPS - 4-40 X 3/8	2
		153-2506	SLOTTED SHIM WASHER - 3/8	1
15	22	154-0238	SWIVEL ELBOW - 1/4" TUBE x 1/8 NPT	2
			NOTE: USE TEFLON TAPE WHEN REPLACING FITTING	

DBA PHOENIX-S Operating Manual  
 ATTACHING PARTS FOR MECHANICAL DRAWINGS

FIGURE NUMBER	INDEX NUMBER	PART NUMBER	PART NAME & DESCRIPTION	QUANTITY NEEDED
15	23	154-8217	TUBING - METERING VALVE TO RETURN FITTING (9.5")	1
15	24	154-0222	ELBOW - 1/4" STEM x 1/4" TUBING OD	2
15	25	154-0221	BULKHEAD UNION - 1/4" TUBING	2
15	26	154-8222	TUBING - ROUTING VALVE TO FLOOR FITTING (19")	1
15	27	154-8220	TUBING - ROUTING VALVE TO OIL HEAD TIP (34.5")	1
15	28	154-0206	SPRING - OIL LINE CONTROL	1
			ATTACHING PARTS	
		153-1049E	WIRE HARNESS CLAMP - 3/8	1
		153-2019	LOCKNUT - 8-32 (NYLOK)	1
		153-2806	FHMS - 8-32 X 5/8	1
15	29	153-1049E	WIRE HARNESS CLAMP - 3/8	1
			ATTACHING PARTS	
		153-2019	LOCKNUT - 8-32 (NYLOK)	1
		153-2806	FHMS - 8-32 X 5/8	1
15	30	154-6251	MOUNTING ANGLE FOR HEAD HOSE SPRING	1
			ATTACHING PARTS	
		153-2004	FLAT WASHER - 1/4	2
		153-2014	LOCK WASHER - 1/4	1
		153-2023	HEX NUT - 1/4-20	1
		153-2053	HHCS - 1/4-20 X 1	1
15	31	154-6220	MOUNTING ANGLE - METERING VALVES	1
			ATTACHING PARTS	
		153-2019	LOCKNUT - 8-32 (NYLOK)	2
		153-2089	MS PHILLIPS - 8-32 X 1	2

DBA PHOENIX-S Operating Manual  
COMPLETE PARTS LIST

PART #	PART DESCRIPTION	UOM
153-0001	TRANSPORT CASTER (3" DUAL WHEEL)	EA
153-0010B	CONTINUOUS LID HINGE (46-3/8")	EA
153-0013A	SHIPPING SKID (40 x 64)	EA
153-0019	KEYBOARD BACK PLATE	EA
153-0019B	KEYBOARD VIBRATION DAMPENER (3")	EA
153-0033A	LID HINGE BRACKET MOUNT	EA
153-0036	LID VIBRATION STRIP (SOLD BY INCH)	IN
153-0037	DECAL (MADE IN USA)	EA
153-0037B	DECAL (1994 TEAM USA)	EA
153-0038B	DMR LINODUSTER HEAVY CUSHION WEIGHT (42-3/4")	EA
153-0040A	1/4" SPACER (5/8" LONG - BUFFER BELT IDLER)	EA
153-0043	THICK FELT WASHER (5/8" ID)	EA
153-0202A	COMPLETE SQUEEGEE ASSEMBLY (2-PIECE BROWN)	EA
153-0204B	VACUUM MOTOR BRUSHES - 110 VOLT (SOLD AS PAIR)	PR
153-0204C	VACUUM MOTOR BRUSHES - 220 VOLT (SOLD AS PAIR)	PR
153-0209	MALE CONNECTOR (1/4 X 1/4 - MPT)	EA
153-0211	SQUEEGEE ROD END WITH FITTING (ON MOTOR)	EA
153-0212	MALE ELBOW (1/4 X 3/8 - MPT)	EA
153-0216	ELBOW (1/4 - MPT X 1/4 - FPT)	EA
153-0217	MALE BODY (1/4 - NYLON)	EA
153-0218	TIP RETAINER CAP CONNECTOR	EA
153-0220	SCREEN CHECK VALVE (POLYPROPYLENE - 10#)	EA
153-0225	1-1/4" PVC ELBOW (1-1/4 - MPT)	EA
153-0246	PLUG - MPT (1-1/2" PVC - SCH 40)	EA
153-0252	SUPPLY TANK FUNNEL	EA
153-0429	DMR LINODUSTER ROLL SUPPORT PIPE (40")	EA
153-0801	KEYBOARD DECAL (PHOENIX)	EA
153-0802	LINODUSTER ROUTING DIAGRAM - PHOENIX	EA
153-0804	FLEXIBLE SUCTION HOSE - SQUEEGEE TO RECOVERY TANK (10")	EA
153-0805	FLEXIBLE SUCTION HOSE - RECOVERY TANK TO VACUUM (3")	EA
153-0806A	SPRAY HOSE - SUPPLY TANK TO PUMP (23")	EA
153-0807	SPRAY HOSE - PUMP TO TEE (7")	EA
153-0809	SPRAY PRESSURE REGULATOR HOSE - TEE TO TANK (8-1/2")	EA
153-0810	SHIPPING BOX (40 X 14 X 58)	EA
153-0812	TRANSPORT CASTER - HEAVY DUTY (2" - DUAL WHEEL)	EA
153-0815	UNION TEE (1/4 X 1/4 X 1/4 - QUICK DISCONNECT)	EA
153-0816	SPRAY TIP - STAINLESS STEEL (8002)	EA
153-0818	MALE SWIVEL ELBOW - 1/4 TUBE X 1/4 NPT	EA
153-0830	PROTECTIVE SLEEVE FOR ALL-THREAD (5-1/2")	EA
153-0842	SERIAL NUMBER & ID PLATE - PHOENIX	EA
153-1001C	PC REPLACEMENT BATTERY (C200H-BAT09)	EA

DBA PHOENIX-S Operating Manual  
COMPLETE PARTS LIST

PART #	PART DESCRIPTION	UOM
153-1002PX	PRO27 KEYBOARD (C200H WITH PHOENIX DECAL)	EA
153-1004	BUFFER MOTOR CONTACTOR (110 VOLT)	EA
153-1005	KEYBOARD CABLE (C200H)	EA
153-1011	BRAKE RESISTOR	EA
153-1012	SPEED CONTROL FOR DC MOTOR (KBIC-120)	EA
153-1015	HORSEPOWER RESISTOR	EA
153-1016	LY2 RELAY (110 VOLT)	EA
153-1017	LY2 RELAY BASE	EA
153-1018	LY3 RELAY (110 VOLT)	EA
153-1019	LY3 RELAY BASE	EA
153-1020	RELAY CLAMPS	PR
153-1021	TERMINAL BLOCK	EA
153-1022	TERMINAL BLOCK END FOOT	EA
153-1023	JUMPER (USED ON TERMINAL BLOCK)	EA
153-1025	MALE PLUG - 125V/15A	EA
153-1029	FUSE (4 AMP) FOR 220 VOLT	EA
153-1030	CIRCUIT BREAKER (10 AMP)	EA
153-1031A	PASS-THROUGH SENSOR	EA
153-1031B	SENSOR PLUG & CABLE	EA
153-1032	PC OUTPUT RELAY	EA
153-1034	FEMALE QUICK DISCONNECT-3/16 (18 AWG)	EA
153-1034A	FEMALE QUICK DISCONNECT-3/16 (14 AWG)	EA
153-1036B	RING TERMINAL - 16-14 AWG (#8 STUD)	EA
153-1037	WIRE JOINT - 18 AWG (LARGE)	EA
153-1038	WIRE JOINT (SMALL)	EA
153-1039	PIN & SOCKET CONNECTOR 9 CIRCUIT PANEL RECEPTACLE	EA
153-1040	PIN & SOCKET CONNECTOR 9 CIRCUIT FREE PLUG (MALE PINS)	EA
153-1041	PIN & SOCKET CONNECTOR 2 CIRCUIT FREE RECEPTACLE	EA
153-1042	PIN & SOCKET CONNECTOR 2 CIRCUIT PANEL PLUG (MALE PINS)	EA
153-1043	PIN & SOCKET CONNECTOR 3 CIRCUIT PANEL PLUG (MALE PINS)	EA
153-1044	PIN & SOCKET CONNECTOR 3 CIRCUIT FREE RECEPTACLE	EA
153-1045	PIN FOR FEMALE SOCKET	EA
153-1046	PIN FOR MALE SOCKET	EA
153-1047	WIRE TIE (4")	EA
153-1048	WIRE TIE (2")	EA
153-1049A	WIRE HARNESS CLAMP - 1/4	EA
153-1049B	WIRE HARNESS CLAMP - 1/2	EA
153-1049C	WIRE HARNESS CLAMP - 3/4	EA
153-1049D	WIRE HARNESS CLAMP - 1/8	EA
153-1049E	WIRE HARNESS CLAMP - 3/8	EA
153-1054	OIL VENT HOSE PLUG (GRAY PLASTIC)	EA

DBA PHOENIX-S Operating Manual  
COMPLETE PARTS LIST

PART #	PART DESCRIPTION	UOM
153-1057H	DAYTON DC MOTOR BRUSHES	PR
153-1202	MICROSWITCH - WITHOUT ROLLER (DMR LINODJUSTER)	EA
153-1203	MICROSWITCH - WITH ROLLER (SQUEEGEE & BRUSH)	EA
153-1205	RIGHT ANGLE FEMALE QUICK DISCONNECT-1/4 (18-14AWG)	EA
153-1206	RIGHT ANGLE FEMALE QUICK DISCONNECT-1/4 (16-12 AWG)	EA
153-1209	BUTTON GUARD	EA
153-1214	INLINE FUSE HOLDER	EA
153-1344	WIRE FOR START BUTTON (GRAY JACKET-RED & BLACK)	FT
153-1404	SILICON RECTIFIER DIODE	EA
153-1408	PUSH BUTTON (RED = NORMALLY OPEN)	EA
153-1602	PIN & SOCKET CONNECTOR 12 CIRCUIT PANEL RECEPTACLE	EA
153-1603	PIN & SOCKET CONNECTOR 12 CIRCUIT FREE PLUG (MALE PINS)	EA
153-1604	BUFFER MOTOR CONTACTOR (220 VOLT)	EA
153-1616	LY2 RELAY (220 VOLT)	EA
153-1618	LY3 RELAY (220 VOLT)	EA
153-1625	MALE PLUG - 250V/15A	EA
153-1801	C200HS MICROPROCESSOR	EA
153-1810	CIRCUIT BREAKER (8-AMP) FOR 220 VOLT	EA
153-1811	PC MOUNTING RACK (C200H 3-SLOT)	EA
153-1812	SPEED CONTROL FOR DC MOTOR (KBIC-240)	EA
153-1816	INPUT MODULE - ID212	EA
153-1817	CIRCUIT BREAKER (15-AMP)	EA
153-1818	WIRE TIE - 34" (C200HS PC)	EA
153-1822	FEMALE TWISTLOCK - 125V/20A	EA
153-1823	FLANGED TWISTLOCK INLET - 125V/20A	EA
153-1824	FEMALE TWISTLOCK - 250V/20A	EA
153-1826	FLANGED TWISTLOCK INLET - 250V/20A	EA
153-1827	FUSE (6 AMP) FOR 110 VOLT	EA
153-2001	FLAT WASHER - #6	EA
153-2002	FLAT WASHER - #8	EA
153-2003	FLAT WASHER - 3/16	EA
153-2004	FLAT WASHER - 1/4	EA
153-2005	FLAT WASHER - 5/16	EA
153-2006	FLAT WASHER - 3/8	EA
153-2007	FLAT WASHER - 1/2	EA
153-2010	NYLON FLAT WASHER (1/2 - 0.030)	EA
153-2013	LOCK WASHER - 3/16	EA
153-2014	LOCK WASHER - 1/4	EA
153-2015	LOCK WASHER - 5/16	EA
153-2016	LOCK WASHER - 3/8	EA
153-2017	LOCK WASHER - 1/2	EA

DBA PHOENIX-S Operating Manual  
COMPLETE PARTS LIST

PART #	PART DESCRIPTION	UOM
153-2018	LOCKNUT - 6-32 (NYLOK)	EA
153-2019	LOCKNUT - 8-32 (NYLOK)	EA
153-2020	LOCKNUT - 1/4-20 (NYLOK)	EA
153-2020A	LOCKNUT - 1/4-20 (STOVER)	EA
153-2023	HEX NUT - 1/4-20	EA
153-2024	HEX NUT - 5/16-18	EA
153-2025	HEX NUT - 3/8-16	EA
153-2026	HEX NUT - 1/2-13	EA
153-2027	JAM NUT - 3/8-16	EA
153-2027A	JAM NUT - 5/16-18	EA
153-2029	ACORN NUT - 1/4-20	EA
153-2034	ALUMINUM RIVET (0.187 X 0.450 X 0.375)	EA
153-2035	BLIND RIVET WASHER	EA
153-2036	SNAP RING - 5/8	EA
153-2037	ROLL PIN - 1/8 X 1-3/4	EA
153-2038	ROLL PIN - 1/8 X 1	EA
153-2040	SPOOL GROMMET - 1/2	EA
153-2045	STEEL COLLAR - 5/8 X 1-1/8 X 1/2	EA
153-2047	SQUARE HEAD SET SCREW - 3/8 X 2	EA
153-2048	HAIRPIN COTTER	EA
153-2049	SET SCREW - 8-32 X 3/16	EA
153-2050	SET SCREW - 1/4-28 X 3/8	EA
153-2051	SET SCREW - 1/4-20 X 1/2	EA
153-2051A	SET SCREW - 1/4-20 X 1/4	EA
153-2052	HHCS - 1/4-20 X 7/8	EA
153-2053	HHCS - 1/4-20 X 1	EA
153-2054	HHCS - 1/4-20 X 1-1/4	EA
153-2055	HHCS - 1/4-20 X 1-1/2	EA
153-2056	HHCS - 1/4-20 X 1-3/4	EA
153-2057	HHCS - 1/4-20 X 2	EA
153-2061	HHCS - 5/16-18 X 1	EA
153-2062	HHCS - 5/16-18 X 1-1/4	EA
153-2067	HHCS - 3/8-16 X 1-1/4	EA
153-2068	HHCS - 3/8-16 X 1-1/2	EA
153-2072	HHCS - 3/8-16 X 3-1/2	EA
153-2073A	HHCS - 1/2-13 X 1-1/2	EA
153-2075	CARRIAGE BOLT - 1/4-20 X 2-1/2	EA
153-2078	FHMS - 1/4-20 X 3/4	EA
153-2080	METRIC PAN HEAD SCREW - M3 X 8 (PRO27 MOUNT)	EA
153-2081	MS PHILLIPS - 6-32 X 1/2	EA
153-2083	MS PHILLIPS - 6-32 X 7/8	EA

DBA PHOENIX-S Operating Manual  
COMPLETE PARTS LIST

PART #	PART DESCRIPTION	UOM
153-2086	MS PHILLIPS - 8-32 X 5/8	EA
153-2086A	MS PHILLIPS - 8-32 X 3/8	EA
153-2087	MS PHILLIPS - 8-32 X 3/4	EA
153-2089	MS PHILLIPS - 8-32 X 1	EA
153-2090	MS PHILLIPS - 8-32 X 1-1/2	EA
153-2091	MS PHILLIPS - 10-32 X 3/4	EA
153-2093	SPRING - 0.42 OD X 0.75 (PROCESSOR)	EA
153-2100	KEYSTOCK - 3/16 X 3/4	EA
153-2108	DOME RIVET - 1/8 FOR NAMEPLATE	EA
153-2113	MS PHILLIPS - 8-32 X 3/8 (SELF TAP)	EA
153-2201	SET SCREW - 10-32 X 3/8 (SMALL DMR DRIVE HUB)	EA
153-2207	MS PHILLIPS - 10-24 X 1-1/4	EA
153-2208	LOCKNUT - 10-24 (NYLOK)	EA
153-2214	JAM NUT - 5/16-24	EA
153-2216	MS PHILLIPS - 4-40 X 5/8	EA
153-2216A	MS PHILLIPS - 4-40 X 7/8	EA
153-2219	MS PHILLIPS - 10 X 2 (SELF TAP)	EA
153-2225	HHCS - 5/16-18 X 2-1/2	EA
153-2226	FELT STRIP FOR ROD END	EA
153-2231	LOCKNUT - 4-40 (NYLOK)	EA
153-2232A	LID LATCH - FLUSH MOUNT DUAL BUTTON (HEAVY DUTY)	EA
153-2233	HHCS - 1/4-20 X 3-1/4 (FULL THREAD)	EA
153-2304	JAM NUT - 1/4-20	EA
153-2401	SPRING - 0.54 OD X 0.75 (GUIDE ROLLER)	EA
153-2402	SPOOL GROMMET - 3/8	EA
153-2403	COUNTERSUNK LOCK WASHER - 1/4	EA
153-2405A	3/8-16 X 2-3/4* STEEL STUD	EA
153-2406	HOSE CLAMP (1/2")	EA
153-2407	SHOULDER BOLT - 3/8 X 1-3/4 (5/16-18) GUIDE ROLLER	EA
153-2408	SHOULDER BOLT - 5/16 X 1/2 (1/4-20) CUSHION PIVOT	EA
153-2409	SHOULDER BOLT - 1/4 X 3/8 (10-24) LINODUSTER ROD	EA
153-2412	SHCS - 1/4-20 X 1/2 (CUSHION ROLLER STOP)	EA
153-2413	SNAP RING - 1/2	EA
153-2414	HEX NUT - 8-32	EA
153-2417	GROMMET - 15/16" OD	EA
153-2501	FLAT HEAD PHILLIPS - 8-32 X 1-1/2	EA
153-2502	FHMS - 5/16-18 X 5	EA
153-2503	FHSS - 5/16-18 X 1-1/4	EA
153-2504	MS PHILLIPS - 4-40 X 3/8	EA
153-2505	MS PHILLIPS - 4-40 X 1	EA
153-2506	SLOTTED SHIM WASHER - 3/8 (FOR VALVE)	EA

DBA PHOENIX-S Operating Manual  
COMPLETE PARTS LIST

PART #	PART DESCRIPTION	UOM
153-2507	FHMS PHILLIPS - 8-32 X 3/4	EA
153-2508	ROLL PIN - 5/32 x 2-1/2	EA
153-2509	CIRCUIT BOARD MOUNT	EA
153-2510	NYLON WASHER - 1/4 (0.060)	EA
153-2511	SPRING NUT - 8-32	EA
153-2512	ACORN NUT - 5/16-18	EA
153-2513	FHSS - 5/16-18 X 1-1/2	EA
153-2514	FLAT HEAD PHILLIPS - 8-32 X 5/8 (SELF TAP)	EA
153-2515	SHOULDER BOLT - 3/8 X 1/2 (5/16-18) CORD	EA
153-2516	MS PHILLIPS - 4-40 X 1-1/2	EA
153-2517	HOSE CLAMP (5/16")	EA
153-2518	SPRING CLAMP FOR CORD (0.437 OD)	EA
153-2519	SQUARE HEAD SET SCREW - 1/4-20 X 2	EA
153-2520	FLAT HEAD PHILLIPS - 8-32 X 1-1/4	EA
153-2521	MS PHILLIPS - #6 X 3/8 (SELF TAP-PLASTIC)	EA
153-2522	MS PHILLIPS - 4-40 X 1/2	EA
153-2604	MS FLAT PHILLIPS - 10-32 X 1/2	EA
153-2801	SHOULDER BOLT - 3/8 X 3/8 (5/16-18) BRUSH LIFT	EA
153-2802	FHSS - 5/16-18 X 5/8	EA
153-2804	COLLAR - 3/8 X 3/4 X 3/8	EA
153-2805	FHSS - 3/8-16 X 1-1/4	EA
153-2806	FLAT HEAD PHILLIPS - 8-32 X 5/8	EA
153-2807	SHOULDER BOLT - 5/16 X 2 (1/4-20) LINODUSTER PLUG	EA
153-2807A	SHOULDER BOLT - 5/16 X 2 (1/4-20) WITHOUT HEAD	EA
153-2808	SPRING - 0.42 OD X 1.25 (LINODUSTER)	EA
153-2813	MS FLAT PHILLIPS - 10-32 X 3/4	EA
153-2814	FHMS - 3/8-16 X 3-1/8	EA
153-2815	HHCS - 3/8-16 X 2-1/4 (GRADE 8)	EA
153-2816	MS PHILLIPS - 8-32 X 2 (SS)	EA
153-2818	HHCS - 3/8-16 X 2-1/2 (GRADE 8)	EA
153-2819	SET SCREW - 5/16-18 X 3/8	EA
153-2821	SUPPLY TANK MOUNTING ROD (7-1/2" ALL-THREAD)	EA
153-6006	MOMENTARY LANE ROLLER SHAFT	EA
153-6027	LANE DISTANCE ADJUSTMENT BLOCK	EA
153-6029	MOMENTARY WHEEL HOUSING	EA
153-6223	SQUEEGEE HOSE ADAPTER	EA
153-6243A	SQUEEGEE MOUNTING ANGLE (PHOENIX)	EA
153-6251A	SPRAY JET MOUNTING BLOCK - ANGLED	EA
153-6252	SPRAY JET BODY	EA
153-6254	SQUEEGEE ARM SHAFT	EA
153-6412	LINODUSTER MOTOR SHIELD (DAYTON-7 RPM)	EA



DBA PHOENIX-S Operating Manual  
COMPLETE PARTS LIST

PART #	PART DESCRIPTION	UOM
153-6417	GUIDE ROLLER MOUNTING BAR (ALUMINUM)	EA
153-6422	CUSHION ROLLER SHAFT (45-7/8")	EA
153-6435	LANE DISTANCE COUNTER SHAFT (FOR KICK-UP WHEEL)	EA
153-6437	PUSH BUTTON MOUNTING PLATE	EA
153-6801S	FLOOR PLATE	EA
153-6802S	LEFT SIDE PLATE	EA
153-6803S	RIGHT SIDE PLATE	EA
153-6804	FRONT WALL	EA
153-6805	TANK & VACUUM WALL	EA
153-6807	REAR WALL	EA
153-6810B	VACUUM MOTOR ADAPTER (BENT FLANGES)	EA
153-6811A	C200HS PC MOUNTING PLATE	EA
153-6813	KEYBOARD MOUNTING PLATE (PHOENIX)	EA
153-6814	PIVOT SHAFT ASSEMBLY FOR LIFTING BRUSH	EA
153-6820A	MAIN DRIVE SHAFT (PHOENIX)	EA
153-6825	LINODUSTER CLOTH ROUTING BAR (SS)	EA
153-6827	MOUNTING ANGLE - SIDE PLATE/FLOOR	EA
153-6830	MOUNTING ANGLE - C200H KEYBOARD (4")	EA
153-6831	MOUNTING ANGLE - C200H KEYBOARD (2-3/8")	EA
153-6832B	MOUNTING ANGLE-25 RPM MOTOR (SQUEEGEE)	EA
153-6835	MOUNTING ANGLE-TERMINAL BLOCK & CIRCUIT BREAKER	EA
153-6837	MOUNTING ANGLE - UHMW FLOOR SKID	EA
153-6840	SUPPLY TANK (1-1/2 GALLON CAPACITY)	EA
153-6841	RECOVERY TANK (3-1/2 GALLON CAPACITY)	EA
153-6842	SQUEEGEE ROD END (5/16-18 X 4-5/8)	EA
153-6847	MOUNTING BAR FOR SUPPLY TANK	EA
153-6849	MOUNTING ANGLE - TRANSFER ROLLER MOTOR	EA
153-6850	UHMW LINODUSTER PLUG FOR CARDBOARD CORE	EA
153-6851	UHMW HANDLE SPACER	EA
153-6853	UHMW LINODUSTER PLUG FOR PVC TAKE-UP REEL	EA
153-6854	UHMW RETAINER FOR RECOVERY TANK	EA
153-6856	RELAY MOUNTING PLATE	EA
153-6858	SHIELD FOR MOTOR (BRUSH LIFT)	EA
153-6859	SENSOR GUARD FOR TACHOMETER	EA
153-7002AA	LANE DISTANCE COUNTER WHEEL-TREADED (2 INCH)	EA
153-7013	URETHANE-BLEND LANE DRIVE WHEEL (FOUR-INCH TREADED)	EA
153-7401	UHMW KICK-UP WHEEL	EA
153-8031	LANE DISTANCE COUNTER PILLOWBLOCK ASSEMBLY (RIGHT)	EA
153-8033	LANE DISTANCE COUNTER PILLOWBLOCK ASSEMBLY (LEFT)	EA
153-8039	BUFFER BELT IDLER ASSEMBLY	EA
153-8049	LANE DISTANCE SENSOR GUARD ASSEMBLY	EA

DBA PHOENIX-S Operating Manual  
COMPLETE PARTS LIST

PART #	PART DESCRIPTION	UOM
153-8065	DRIVE MOTOR ASSEMBLY (DAYTON 130VDC/165 RPM)	EA
153-8201B	DMR LINODUSTER HUB ASSEMBLY (CARDBOARD CORE) 1/4-28	EA
153-8202B	DMR LINODUSTER SOLID HUB ASSEMBLY (PVC DRIVE) 1/4-28	EA
153-8205	VACUUM MOTOR ASSEMBLY - 110 VOLT/104 CFM	EA
153-8206	WATER SPRAY PUMP ASSEMBLY - 110 VOLT	EA
153-8207	CONE-BRAKE MOTOR ASSEMBLY (25 RPM-110 VOLT)	EA
153-8238	CUSHION ROLLER ASSEMBLY (DMR LINODUSTER = 44")	EA
153-8311	MOMENTARY WHEEL ASSEMBLY (URETHANE)	EA
153-8403	CONE-BRAKE MOTOR ASSEMBLY (7 RPM-110 VOLT)	EA
153-8410	LANE EDGE GUIDE ROLLER ASSEMBLY (1/2" BORE)	EA
153-8420	CUSHION ROLLER PIVOT ARM ASSEMBLY	EA
153-8421	LANE DISTANCE PILLOWBLOCK ASSEMBLY (CENTER)	EA
153-8801	BLOWER MOTOR ASSEMBLY - 110V/140 CFM	EA
153-8802	BLOWER MOTOR ASSEMBLY - 220V/140 CFM	EA
153-8803	CONE-BRAKE MOTOR ASSEMBLY (7 RPM-220 VOLT)	EA
153-8805	VACUUM MOTOR ASSEMBLY - 220 VOLT/96 CFM	EA
153-8806	WATER SPRAY PUMP ASSEMBLY - 220 VOLT	EA
153-8807	CONE-BRAKE MOTOR ASSEMBLY (25 RPM-220 VOLT)	EA
153-8808	SQUEEGEE PIVOT ARM ASSEMBLY - PHOENIX LEFT SIDE	EA
153-8809	SQUEEGEE PIVOT ARM ASSEMBLY - PHOENIX RIGHT SIDE	EA
153-8813	DRIVE SHAFT PILLOWBLOCK ASSEMBLY - PLAIN BUSHING	EA
153-8814	DRIVE SHAFT PILLOWBLOCK ASSEMBLY - FLANGED BUSHING	EA
153-8815	DRIVE SHAFT PILLOWBLOCK ASSEMBLY - TACHOMETER	EA
153-8816	EXTENSION HANDLE ASSEMBLY (30")	EA
153-8817	BLACK TRIM FOR DRIVE MOTOR (14")	EA
153-8818	CONNECTING LINK ASSEMBLY - MOTOR CAMP/PIVOT ARM	EA
153-8819L	CONNECTING LINK ASSEMBLY - BEARING/PIVOT-LEFT	EA
153-8819R	CONNECTING LINK ASSEMBLY - BEARING/PIVOT-RIGHT	EA
153-8820A	SQUEEGEE MICROSWITCH WIRE HARNESS	EA
153-8824	PVC TAKE-UP REEL ASSEMBLY (PHOENIX=44-5/8")	EA
153-8827	1-1/4 PVC ELBOW FOR RECOVERY TANK (5/8")	EA
153-8834	SQUEEGEE BLADE REPLACEMENT KIT (BROWN-42")	EA
153-9003	SPROCKET - 40B10 (5/8" BORE)	EA
153-9010	SPROCKET - 25B15 (TRANSFER DRIVE-3/8")	EA
153-9013	BUFFER MOTOR PULLEY (10L050-1/2")	EA
153-9015	T-BELT 322L050 (BUFFER MOTOR)	EA
153-9023	FLANGED BUSHING (1/2 X 3/4 X 3/4)	EA
153-9024A	PLAIN BUSHING (5/8 X 7/8 X 3/4)	EA
153-9025	FLANGED BUSHING (5/8 X 7/8 X 1)	EA
153-9028A	PLAIN BUSHING (1/4 X 5/16 X 1/2)	EA
153-9031	PLAIN BUSHING (1/4 X 3/8 X 3/4)	EA

DBA PHOENIX-S Operating Manual  
COMPLETE PARTS LIST

PART #	PART DESCRIPTION	UOM
153-9034	PLAIN BUSHING (3/8 X 1/2 X 1/4)	EA
153-9035	PLAIN BUSHING (3/8 X 1/2 X 3/4)	EA
153-9037	PLAIN BUSHING (1/2 X 3/4 X 3/4)	EA
153-9045	25 MASTER LINK	EA
153-9047	40 MASTER LINK	EA
153-9048	40 OFFSET LINK	EA
153-9050	CUSHION ROLLER PLUG (1.660 X 0.140 X 0.375)	EA
153-9110	COUNTER SPROCKET (10-TOOTH)	EA
153-9402	FLANGED BUSHING (3/8 X 1/2 X 1/2)	EA
153-9404	PLAIN BUSHING (3/8 X 1/2 X 1)	EA
153-9409	FLANGED BUSHING (1/4 X 3/8 X 1/4)	EA
153-9801	SPROCKET - 40B14 (3/4" BORE)	EA
153-9803	FLANGED BUSHING (3/8 X 1/2 X 1/4)	EA
153-9804	DRIVE CHAIN - PHOENIX (40P35) FOR 110 VOLT	EA
153-9805	SPROCKET - 40B18 (3/4" BORE)	EA
153-9807	BEARING FOR MOTOR SHAFT (0.312 x 0.866 x 0.274)	EA
153-9814	DRIVE CHAIN - PHOENIX (40P33) FOR 220 VOLT	EA
153-9816	3/4" FLANGED BEARING - 5/16-18 TAPPED	EA
154-0005	LID LATCH - FLUSH MOUNT SLIDE ACTION	EA
154-0006	BUMPER GUARD - POLYURETHANE	EA
154-0007	SPRAY TIP - STAINLESS STEEL (1501)	EA
154-0203	MACHINE STICKER - PHOENIX-S TOURNAMENT EDITION	EA
154-0206	SPRING FOR OIL LINE (10")	EA
154-0209	PROTECTIVE STICKER FOR TRANSFER WALL (28 X 5-1/2)	EA
154-0210	FELT FOR CLEANING 25 ml GRADUATED CYLINDERS	EA
154-0212	TANK FILTER (5" SS)	EA
154-0214	RETAINING CLIP FOR GRADUATED CYLINDER	EA
154-0215	GRADUATED CYLINDER FOR CALIBRATION TEST (25 ml)	EA
154-0218	GROMMET - 7/16 ID	EA
154-0221	BULKHEAD UNION - 1/4" TUBING	EA
154-0222	ELBOW - 1/4" STEM x 1/4" TUBING OD	EA
154-0223	ELBOW (90 DEGREE) - 1/4 NPT x 1/4" TUBE	EA
154-0224	MALE CONNECTOR - 1/4" TUBE x 1/8 NPT	EA
154-0225	ELBOW - 3/8 TUBE OD x 1/4 NPT	EA
154-0226	ELBOW - TUBE TO HOSE BARB (1/4" STEM x 1/4 ID HOSE)	EA
154-0227	ELBOW - TUBE TO HOSE BARB (1/4" STEM x 5/16 ID HOSE)	EA
154-0228	FELT FOR TRANSFER GUARD (18" GRAY)	EA
154-0229	STEM FOR FLOAT (3" x 1/8 NPT NIPPLE)	EA
154-0230	IN-LINE COUPLER (1/8" NPT) FLOAT	EA
154-0231	PLUG - 1/2" TUBE OD	EA
154-0232D	MALE CONNECTOR - 1/2" TUBE x 1/2 NPT (DRILLED)	EA

DBA PHOENIX-S Operating Manual  
COMPLETE PARTS LIST

PART #	PART DESCRIPTION	UOM
154-0233	3/4" x 1/8 NPT GALVANIZED NIPPLE (MOUNT FOR VALVE)	EA
154-0234	TEE FITTING - 1/8 NPT	EA
154-0235	FUNNEL - PX-S OIL FILL	EA
154-0238	SWIVEL ELBOW - 1/4" TUBE x 1/8 NPT	EA
154-0239	ELBOW - 5/16 HOSE BARB x 3/8 STEM (FOR DRAIN HOSE)	EA
154-0240	CONNECTOR - 1/2" TUBE x 1/2 HOSE BARB (FOR FUNNEL)	EA
154-1206	GEARBOX FOR HEAD DRIVE MOTOR (5:1 RATIO)	EA
154-1207	MOTOR CAPACITOR (4.5 µF) HEAD DRIVE	EA
154-1209	VALVE FOR OIL CONTROL - 24V DC 3-WAY (100 PSIG) 1/8 NPT	EA
154-1210	VALVE FOR CALIBRATION - 115V AC 3-WAY (100 PSIG) 1/8 NPT	EA
154-1212	VALVE FOR TANK VENT - 115V AC 2-WAY (1/8" BARB)	EA
154-1214	FLUID METERING PUMP (RHOCKC) - 0.05 ml/STROKE	EA
154-1214S	STICKER FOR CALIBRATION RING ON FMI PUMP	EA
154-1220	INDUCTIVE PROXIMITY SENSOR (TL-G5MCT1)	EA
154-1221	TERMINAL BLOCK FOR VALVES	EA
154-1222	NEEDLE VALVE - 1/8 NPT (OIL PRESSURE CONTROL)	EA
154-1225	PRESSURE GAUGE (0-30 PSI) - 1-1/2 DIA	EA
154-6201	GUARD FOR HEAD DRIVE PULLEY (LEFT SIDE)	EA
154-6202	GUARD FOR HEAD IDLER PULLEY AND TIMING SENSORS (RIGHT SIDE)	EA
154-6203A	GUARD FOR TRANSFER COMPARTMENT	EA
154-6204	GUARD FOR PUMP AND MOTOR	EA
154-6206	CENTER WALL OF TRANSFER COMPARTMENT (PX-S)	EA
154-6209	TIP HOLDER FOR OIL TUBING	EA
154-6210	BAR FOR HEAD DRIVE SYSTEM	EA
154-6211	MOUNTING BAR FOR PASS-THRU SENSOR	EA
154-6212	SHAFT FOR IDLER PULLEY - PX-S	EA
154-6214	MOUNTING BRACKET-HEAD DRIVE BAR (LEFT)	EA
154-6215	MOUNTING BRACKET-HEAD DRIVE BAR (RIGHT)	EA
154-6216	MOUNTING PLATE - HEAD TIMING SENSORS	EA
154-6218L	MOUNTING ANGLE - LEFT PROXIMITY SENSOR	EA
154-6218R	MOUNTING ANGLE - RIGHT PROXIMITY SENSOR	EA
154-6219	MOUNTING PLATE - HEAD BELT	EA
154-6220	MOUNTING ANGLE - METERING VALVES	EA
154-6221	MOUNTING ANGLE - HEAVY DUTY CASTER (3 x 3.625)	EA
154-6222	MOUNTING ANGLE - HEAD DRIVE MOTOR	EA
154-6223	MOUNTING ANGLE - PUMP & MOTOR	EA
154-6230	UHMW SLIDING HEAD (1 x 1.5 x 2)	EA
154-6230C	UHMW SLIDING HEAD (1 x 1.5 x 2) COUNTERSUNK HOLE	EA
154-6233	SWIVEL MOUNT FOR CORD	EA
154-6235	MOUNTING ANGLE - KILL SWITCH FOR POWER CORD	EA
154-6236	IDLER FOR TRANSFER CHAIN - DELRIN	EA

DBA PHOENIX-S Operating Manual  
COMPLETE PARTS LIST

PART #	PART DESCRIPTION	UOM
154-6237	UHMW FLOOR SKID - LEFT SIDE PX-S	EA
154-6238	UHMW FLOOR SKID - RIGHT SIDE PX-S	EA
154-6240	MOUNT ANGLE - TANK VENT VALVE	EA
154-6241	MOUNT FOR PENCIL TIP	EA
154-6242	MOUNTING BRACKET FOR TUBING	EA
154-6243	MOTOR CAM-DUAL LOBES (3/8 & 5/8 OFFSET-STACKED SWITCHES)	EA
154-6244	MOUNTING PLATE - OIL TANK FLOAT	EA
154-6245	SUPPORT ANGLE - LEFT FLOOR SKID	EA
154-6246	CIRCUIT BOARD MOUNT FOR SPEED CONTROL RELAYS	EA
154-6247	MOUNTING ANGLE-25 RPM MOTOR (BRUSH LIFT)	EA
154-6251	MOUNTING ANGLE FOR HEAD HOSE SPRING	EA
154-6252	CATCH PLATE FOR ELECTRICAL LID	EA
154-8201	OIL TANK ASSEMBLY - PX-S	EA
154-8202	COMPLETE LID ASSEMBLY - PX-S	EA
154-8203	FLOAT SWITCH ASSEMBLY (OIL TANK)	EA
154-8204L	TRANSFER ROLLER ARM ASSEMBLY - PX-S TOP LEFT	EA
154-8204R	TRANSFER ROLLER ARM ASSEMBLY - PX-S TOP RIGHT	EA
154-8205L	TRANSFER ROLLER ARM ASSEMBLY - PX-S BOTTOM LEFT	EA
154-8205R	TRANSFER ROLLER ARM ASSEMBLY - PX-S BOTTOM RIGHT	EA
154-8206	TRANSFER ROLLER MOTOR - 25 RPM (110V)	EA
154-8206A	TRANSFER ROLLER MOTOR - 25 RPM (220V)	EA
154-8207	TRANSFER ROLLER ASSEMBLY - 2.25 DIAMETER (PX-S TOP)	EA
154-8208	TRANSFER ROLLER ASSEMBLY - 1.75 DIAMETER (PX-S BOTTOM)	EA
154-8209	CABLE ASSEMBLY FOR CORD	EA
154-8210	CIRCUIT BOARD ASSEMBLY FOR SPEED CONTROL - 110V	EA
154-8211	CIRCUIT BOARD ASSEMBLY FOR SPEED CONTROL - 220V	EA
154-8213	PENCIL TIP FOR OIL HEAD	EA
154-8213A	TIP FOR CALIBRATION	EA
154-8214	TUBING - 5/16 CLEAR PVC (5.25" FOR SIGHT GLASS)	EA
154-8214A	TUBING - 5/16 CLEAR PVC (36" FOR DRAIN)	EA
154-8215	TUBING - OIL TANK TO PUMP (3/8" x 1/4") 32.75"	EA
154-8216	TUBING (VITON) - PUMP TO METERING VALVE (3/8" x 1/4") 9.25"	EA
154-8217	TUBING - METERING VALVE TO RETURN FITTING (1/4" x 1/8") 9.5"	EA
154-8218	TUBING - RETURN FITTING TO OIL TANK (1/4" x 1/8") 31.5"	EA
154-8219	TUBING - METERING VALVE TO ROUTING VALVE (1/4" x 1/8") 1.5"	EA
154-8220	TUBING - ROUTING VALVE TO OIL HEAD TIP (1/4" x 1/8") 34.5"	EA
154-8220A	TUBING - ROUTING VALVE TO OIL HEAD TIP (3/16" x 1/16") 34.5"	EA
154-8221	TUBING - OIL TANK TO VENT VALVE (CLEAR TYGON - 1/4" x 1/8")	EA
154-8222	TUBING - ROUTING VALVE TO FLOOR FITTING (1/4" x 1/8") 19"	EA
154-8223	TUBING - FLOOR FITTING TO CALIBRATION FITTING (1/4" x 1/8") 25"	EA
154-8224	TUBING - CALIBRATION FITTING TO TIP (1/4" x 1/8") 2"	EA

DBA PHOENIX-S Operating Manual  
COMPLETE PARTS LIST

PART #	PART DESCRIPTION	UOM
154-8225	SPRAY HOSE - TEE TO LEFT OUTSIDE JET (#1) 7.125"	EA
154-8226	SPRAY HOSE - LEFT JET TO LEFT MIDDLE JET (#2) 9.25"	EA
154-8227	SPRAY HOSE - LEFT MIDDLE JET TO RIGHT MIDDLE JET (#3) 22.875"	EA
154-8228	SPRAY HOSE - RIGHT MIDDLE JET TO RIGHT OUTSIDE JET (#4) 11.25"	EA
154-8229	POWER CORD ASSEMBLY - 125 FEET (110V 12 AWG)	EA
154-8230	POWER CORD ASSEMBLY - 125 FEET (220V 12 AWG)	EA
154-8231	OUTPUT MODULE - OC222 (SEPARATE 24VDC RELAY)	EA
154-8232	HEAD DRIVE MOTOR ASSEMBLY - 110V PX-S	EA
154-8234	MOTOR ASSEMBLY FOR METERING PUMP - 110V PX-S	EA
154-8236	BUFFER MOTOR ASSEMBLY - 1/2 HP-1725 RPM (110V 60 Hz)	EA
154-8237	BUFFER MOTOR ASSEMBLY - 1/2 HP-1725 RPM (220V 50 Hz)	EA
154-8238	SENSOR ACTUATOR ASSEMBLY (6-TOOTH FOR HEAD TIMING)	EA
154-8239	SENSOR ACTUATOR & TIMING PULLEY (FOR PUMP TACHOMETER)	EA
154-8240	MOUNTING ANGLE FOR CORD SWIVEL	EA
154-8241	FELT PAD AND MOUNTING ANGLE ASSEMBLY - LEFT SIDE	EA
154-8242	FELT PAD AND MOUNTING ANGLE ASSEMBLY - RIGHT SIDE	EA
154-8243	MOUNTING BRACKET ASSEMBLY FOR TIMING PULLEY SHAFT	EA
154-8244	BUFFER BRUSH ASSEMBLY - 3-3/4" Ø (HEAVY FILL)	EA
154-8245	BLACK LIGHT FIXTURE AND BULB	EA
154-8246	FILTER ASSEMBLY FOR VENT VALVE	EA
154-8247	IDLER SPROCKET ASSEMBLY (TRANSFER - 25B10)	EA
154-8248	STEP-DOWN TRANSFORMER ASSEMBLY (230V AC)	EA
154-9201	BELT FOR HEAD DRIVE (XL025 - 9 FEET)	EA
154-9201A	BELT RETAINER - XL025 (1-5/8")	EA
154-9202A	BELT FOR METERING PUMP (130XL037)	EA
154-9204	PULLEY - HEAD IDLER (32XL-1/4" BORE-W/SET)	EA
154-9205D	PULLEY - HEAD DRIVE MOTOR (24XL 3/8" BORE W/DOUBLE SET)	EA
154-9208	PULLEY - METERING PUMP (12XL-5/16" BORE W/SET SCREW)	EA
154-9209	TRANSFER ROLLER TOP DRIVE CHAIN (25P65)	EA
154-9210	TRANSFER ROLLER BOTTOM DRIVE CHAIN (25P31)	EA
154-9212	PLAIN BUSHING - 3/8 X 1/2 X 1/2	EA
DBA-801	DBA CLEAR HIGH VISCOSITY LANE CONDITIONER	EA
DBA-850	DBA CLEAR SUPER HIGH VISCOSITY LANE CONDITIONER	EA
DBA-7594	DBA CLEAN LANE CLEANER	EA
DBA-8460	DBA LINO-DUSTER CLOTH (BLUE)	EA

