

INSTALLATION INSTRUCTIONS



Part Number:	162-6067
Part Name:	Adjustable Rake Plate
Revision Date:	4-20-2012
Written By:	Bill Mongeau
Approved By:	Don Agent

Packaging Contents:

Qty.	Part Number	Description
1 Ea.	162-6067	Adjustable Rake Plate
2 Ea.	162-2011	3/8-24 x 1-1/2" Flat Head Socket Cap Screw

Tools Required:

7/32" Allen Wrench

Completely read and understand these instructions prior to the installation of this assembly. If you should have any questions please contact Kegel's Pinsetter Part technical support team at one of the contact numbers listed below.

WARNING! Always remove power to pinsetter by turning off main circuit breaker and disconnecting high voltage input power cord to electrical box when performing service work.

Steps

1. Remove hardware securing rake board to rake sweep arm. Retain all additional hardware not provided in this kit for reassembly.
2. Secure adjustable rake plate through rake board and rake arm using hardware provided.
Reference figure 1.

*** The adjustable rake plate is universal and can be used on both left and right sides.**

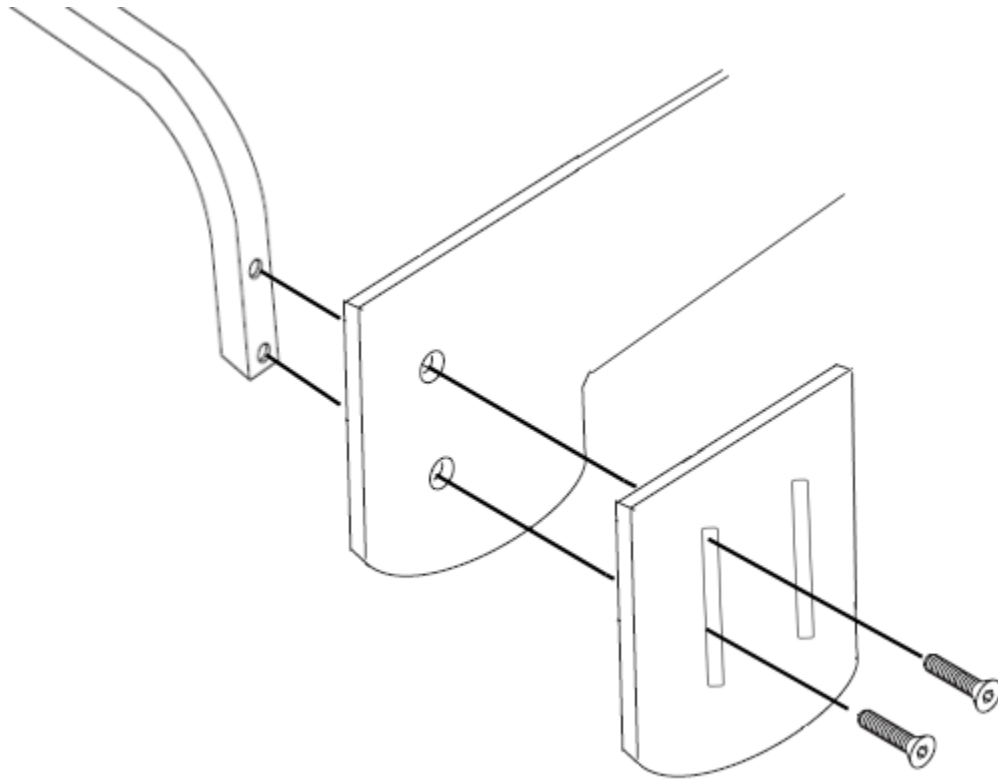


Figure 1

Kegel Tech Tips

- ✔ A properly adjusted rake sweep pattern will sweep three pins placed head first in both flat gutters into the pit.
- ✔ Check for wear in the rake arm bushings. Replace as needed. This will help prevent the rake board from lifting when sweeping and allowing pins to get caught in front of the rake.
- ✔ Refer to pinsetter service manual for complete rake sweep height and pattern adjustments.