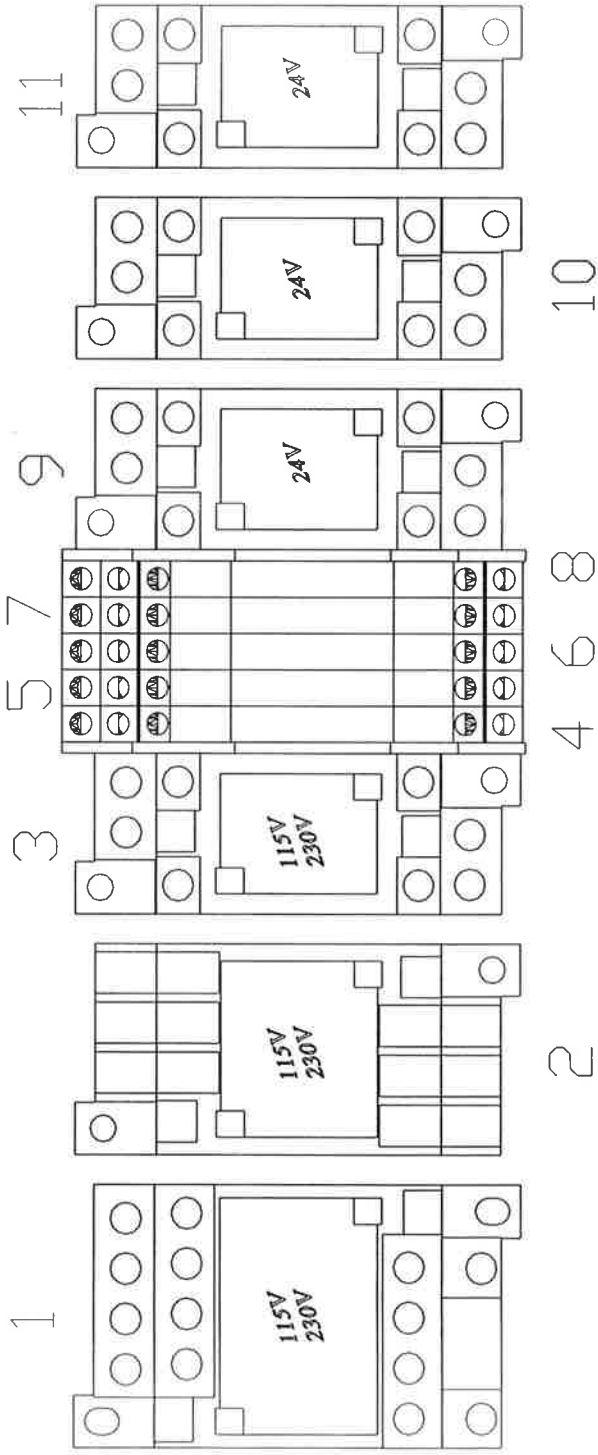


# XI - Mechanical Drawings

## Table of Contents

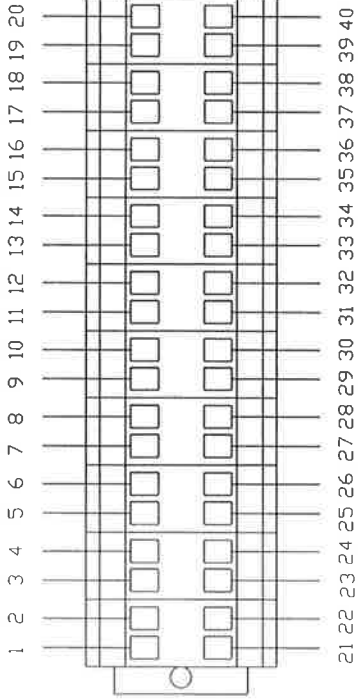
Edition 05:04

Relay Detail Diagram	
Electrical Wiring Diagram - 115V/60 Hz	
Electrical Wiring Diagram - 230V/50 Hz	
Terminal Block Diagram	
Overhead View .....	Figure 1
Bottom View .....	Figure 2
Right Side .....	Figure 3
Left Side .....	Figure 4
Control Plate Assembly .....	Figure 5
Lane Distance Sensor Assembly .....	Figure 6
Speed Control & Drive Motor .....	Figure 7
Cleaner Supply System .....	Figure 8
Conditioning Assembly .....	Figure 9
Conditioner Transfer Assembly .....	Figure 10
Squeegee Motor Assembly .....	Figure 11
Duster Assembly .....	Figure 12
Buffer Brush Lifting Motor Assembly .....	Figure 13
Attaching Parts Breakdown (Fasteners) .....	Page 1
Complete Parts List .....	Page 1

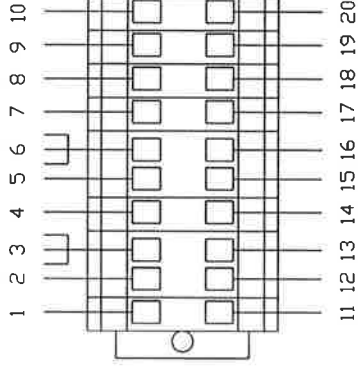


- (1) CR1 FORWARD DRIVE RELAY (LY4 115V)
- (2) CR2 REVERSE DRIVE RELAY (LY3 115V)
- (3) CR3 CLEANER PUMP RELAY (LY2 115V)
- (4) CR4 PLC RELAY (BRUSH LIFT)
- (5) CR5 PLC RELAY (SQUEEGEE MOTOR)
- (6) CR6 PLC RELAY (DUSTER UNWIND)
- (7) CR7 PLC RELAY (DUSTER WINDUP)
- (8) CR8 PLC RELAY (OIL PUMP)
- (9) CR9 VACUUM RELAY (LY2 24VDC)
- (10) CR10 L-R HEAD MOTOR (LY2 24VDC)
- (11) CR11 R-L HEAD MOTOR (LY2 24VDC)

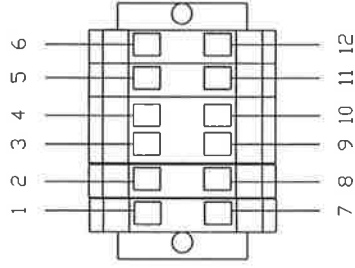
TB-1



TB-2



TB-3



THE KEGEL CO. 1951 LONGLEAF BLVD.  
LAKE WALES, FL 33859  
(863) 734-0200

DESCRIPTION

TERMINAL BLOCK  
WIRING SCHEMATIC  
DO NOT SCALE DRAWING

DRAWN BY CREWS	DATE 05/17/04
CHECKER SOWARDS	ENGINEER M. DAVIS

SIZE C	VOLTAGE/Hz 115/60	PART NUMBER 230/50
-----------	----------------------	-----------------------

SCALE N/A	SHEET 2 OF 2
--------------	-----------------



FIGURE NUMBER	INDEX NUMBER	PART NUMBER	PART NAME & DESCRIPTION
<b>FIGURE 1 PART NUMBERS</b>			
1	1	154-8818	SPLASH GUARD ASSEMBLY
1	2	154-1250	EMERGENCY STOP CIRCUIT BREAKER ASSEMBLY
1	3	154-8806	KEYPAD ASSEMBLY
1	4	154-1225	PRESSURE GAUGE (0-30 PSI) - 1-1/2 DIA
1	5	154-8823	LANE TO LANE HANDLE ASSEMBLY
1	6	154-8805	VACUUM MOTOR ASSEMBLY - 115V
1	6	154-8805E	VACUUM MOTOR ASSEMBLY - 230V
1	7	154-8206	TRANSFER ROLLER MOTOR - 25 RPM (115V)
1	7	154-8206A	TRANSFER ROLLER MOTOR - 25 RPM (230V)
1	8	154-8625	VACUUM MOTOR HOUSING - ALUMINUM
1	9	154-0260	FLEXIBLE VACUUM HOSE STOCK (1-1/2" ID)
1	10	153-8827T	1-1/4 PVC ELBOW-TANK INLET (NO THREADS)
1	11	153-6850	UHMW DUSTER PLUG FOR CARDBOARD CORE
1	12	153-8202B	DUSTER SOLID DRIVE HUB (PVC-1/4-28)
1	13	154-8804	MAIN DRIVE SHAFT GUARD ASSEMBLY
1	14	153-6437	PUSH BUTTON MOUNTING PLATE
1	15	153-1209	BUTTON GUARD
1	16	154-8683	POLYETHYLENE RECOVERY TANK ASSEMBLY (2002)
1	17	153-8311	MOMENTARY WHEEL ASSEMBLY (URETHANE)
1	18	153-6029	MOMENTARY WHEEL HOUSING
1	19	154-8616A	BUFFER MOTOR ASSEMBLY (115V-AC ONLY)
1	19	154-8616E	BUFFER MOTOR ASSEMBLY (230V-AC ONLY)
1	20	153-0001	TRANSPORT CASTER (3" DUAL WHEEL)
1	21	154-8824	PUSH BUTTON REPLACEMENT HARNESS
1	21	153-1408	PUSH BUTTON ONLY (RED)

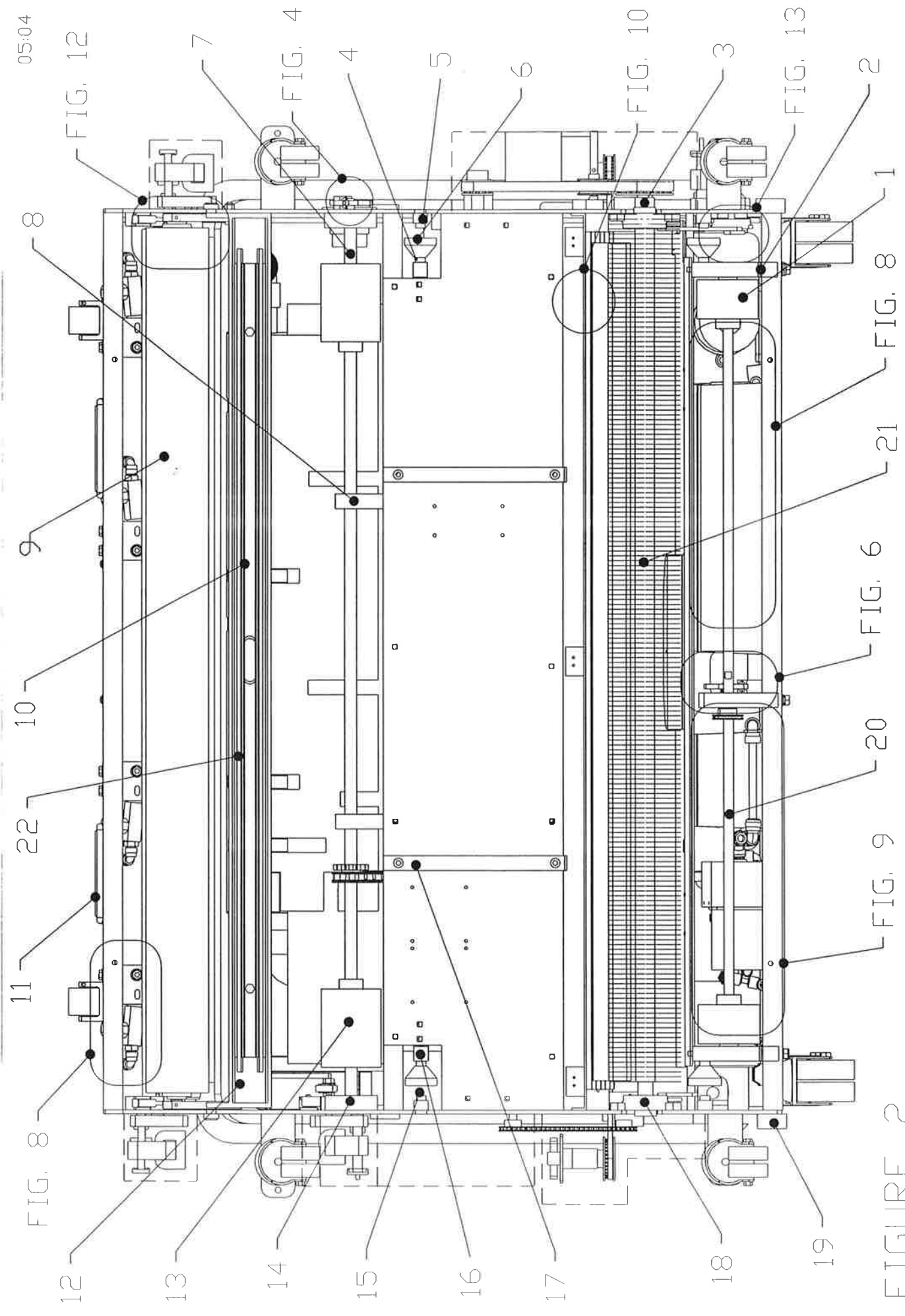


FIGURE 2

FIGURE NUMBER	INDEX NUMBER	PART NUMBER	PART NAME & DESCRIPTION
<b>FIGURE 2 PART NUMBERS</b>			
2	1	153-7002AA	LANE DISTANCE COUNTER WHEEL-TREADED (2")
2	2	154-8619	PILLOWBLOCK-LANE DISTANCE (LEFT-FLANGED)
2	3	154-6664	BUFFER BRUSH PULLEY SPACER
2	4	153-9803	FLANGED BUSHING (3/8 X 1/2 X 1/4)
2	5	154-6652	GUIDE ROLLER MOUNT BLOCK
2	6	153-8410	LANE EDGE GUIDE ROLLER W/BUSHING (1/2")
2	7	154-6820	MAIN DRIVE SHAFT
2	8	154-8803	DRIVE SHAFT PILLOWBLOCK
2	9	153-8838	CUSHION ROLLER WITH STEMS (STEEL=44-3/8)
2	10	153-0202	COMPLETE SQUEEGEE ASSEMBLY (BLUE)
2	11	154-0810	LIFTING HANDLE (SS SPRING-LOADED CHEST)
2	12	154-6817	SQUEEGEE MOUNT ANGLE (PAINTED)
2	13	153-7013	URETHANE-BLEND LANE DRIVE WHEEL (4")
2	14	154-8007	SIDE PLATE PILLOWBLOCK FOR DRIVE SHAFT
2	15	153-2401	SPRING - 0.54 OD X 0.75 (GUIDE ROLLER)
2	16	154-6651	FRONT GUIDE ROLLER MOUNT
2	17	154-6833	SKID GUIDES
2	18	154-8640	FLANGED BEARING FOR BUFFER BRUSH (3/4" ROTATED)
2	19	154-6042	UHMW WHEEL - CORNER GUARD
2	20	154-6821	LDS SHAFT
2	21	154-8641	BUFFER BRUSH (BLUE 3-3/4" X 48)
2	22	153-0202B	REPLACEMENT SQUEEGEE BLADE-BLUE STOCK

05:04

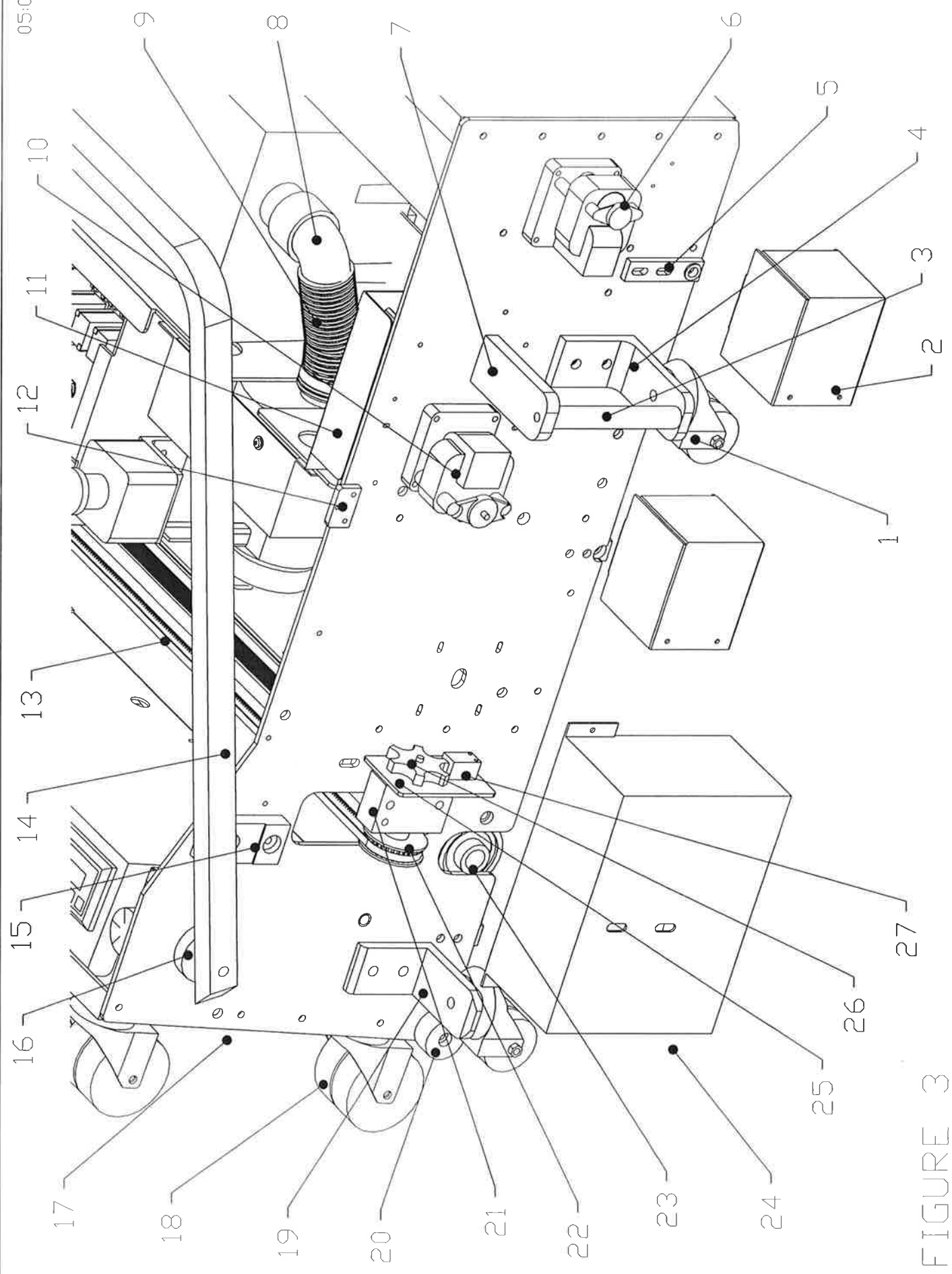


FIGURE 3



FIGURE NUMBER	INDEX NUMBER	PART NUMBER	PART NAME & DESCRIPTION
<b>FIGURE 3 PART NUMBERS</b>			
3	1	153-0812	TRANSPORT CASTER-2" HEAVY DUTY (3/8")
3	2	153-6412	DUSTER MOTOR SHIELD (7 RPM)
3	3	154-6627	SIDE LIFT HANDLE
3	4	154-6628	CASTER/HANDLE MOUNT ANGLE
3	5	154-8802	SQUEEGEE ADJUSTMENT ARM - RIGHT
3	6	153-8403	BRAKE MOTOR ASSEMBLY (7 RPM-115 VOLT)
3	6	153-8803H	BRAKE MOTOR ASSEMBLY (7 RPM-230V 50 Hz)
3	7	154-6629	SIDE LIFT HANDLE MOUNT
3	8	153-8827T	1-1/4 PVC ELBOW FOR TANK INLET (NO THREADS)
3	9	154-0260	FLEXIBLE VACUUM HOSE STOCK (1-1/2" ID)
3	10	153-8207	BRAKE MOTOR ASSEMBLY (25 RPM-115 VOLT)
3	10	153-8807H	BRAKE MOTOR ASSEMBLY (25 RPM-230V 50 Hz)
3	11	154-8607	GUARD FOR SQUEEGEE & DUSTER SWITCH-FELT
3	12	154-6698	LID MOUNT PLATE
3	13	154-9201	BELT FOR HEAD DRIVE (XL025 - 9 FEET)
3	14	154-8823	LANE TO LANE HANDLE ASSEMBLY
3	15	154-6041	UHMW HANDLE STOP
3	16	153-6851	UHMW HANDLE SPACER
3	17	153-2818	HHCS - 3/8-16 X 2-1/2 (GRADE 8)
3	18	153-0001	TRANSPORT CASTER (3" DUAL WHEEL)
3	19	154-6221	MOUNTING ANGLE - HEAVY DUTY CASTER (3 x 3.625)
3	20	154-6042	UHMW WHEEL - CORNER GUARD
3	21	154-9204	PULLEY - HEAD IDLER (32XL-1/4" BORE-W/SET)
3	22	154-8643	MOUNTING BLOCK FOR TIMING PULLEY-STD
3	23	154-8640	FLANGED BEARING FOR BUFFER BRUSH (3/4" ROTATED)
3	24	154-6818	HEAD SENSOR GUARD
3	25	154-6829	MOUNTING PLATE - HEAD TIMING SENSORS
3	26	154-6831	6-TOOTH SENSOR DISK - ALUMINUM
3	27	154-1220	INDUCTIVE PROXIMITY SENSOR (TL-Q5MC1)

FIGURE 3  
KUSTODIAN

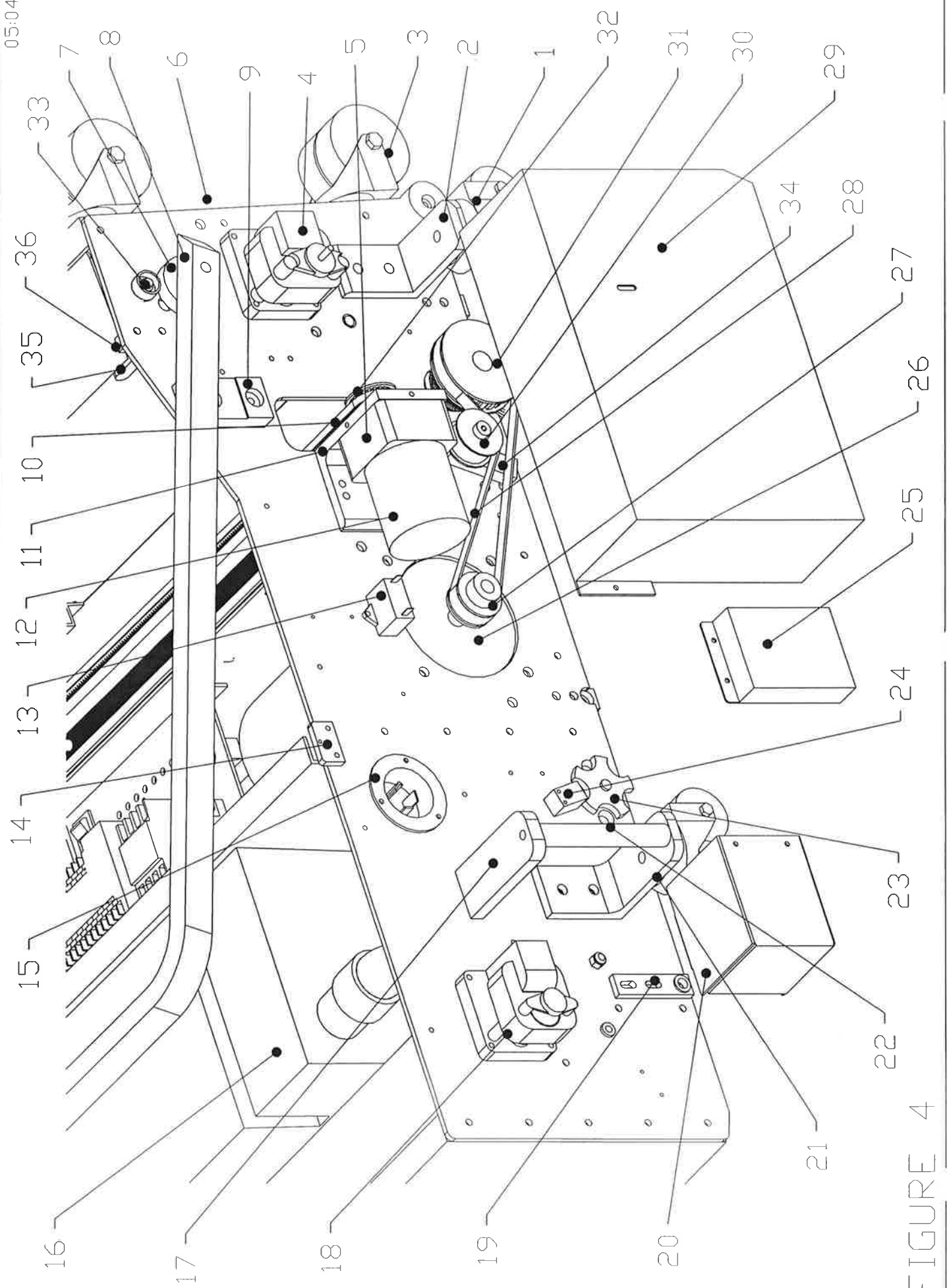


FIGURE 4

FIGURE NUMBER	INDEX NUMBER	PART NUMBER	PART NAME & DESCRIPTION
<b>FIGURE 4 PART NUMBERS</b>			
4	1	153-0812	TRANSPORT CASTER-2" HEAVY DUTY (3/8")
4	2	154-6221	MOUNTING ANGLE-HEAVY CASTER (3 X 3.625)
4	3	153-0001	TRANSPORT CASTER (3" DUAL WHEEL)
4	4	153-8207	BRAKE MOTOR ASSEMBLY (25 RPM-115 VOLT)
4	4	153-8807H	BRAKE MOTOR ASSEMBLY (25 RPM-230V 50 Hz)
4	5	154-1206	GEARBOX FOR HEAD DRIVE MOTOR (5:1 RATIO)
4	6	153-2818	HHCS - 3/8-16 X 2-1/2 (GRADE 8)
4	7	153-6851	UHMW HANDLE SPACER
4	8	154-8823	LANE TO LANE HANDLE ASSEMBLY
4	9	154-6041	UHMW HANDLE STOP
4	10	154-9201	BELT FOR HEAD DRIVE (XL025 - 9 FEET)
4	11	154-6222	MOUNTING ANGLE - HEAD DRIVE MOTOR
4	12	154-8232	HEAD DRIVE MOTOR-115V ST (NO GEARBOX)
4	12	154-8632	HEAD DRIVE MOTOR-230V STD (NO GEARBOX)
4	13	154-1208	MOTOR CAPACITOR (6.0 mF)
4	13	154-1208B	MOTOR CAPACITOR (1.5 mF)
4	14	154-6698	LID MOUNT PLATE
4	15	153-1823	FLANGED TWISTLOCK INLET - 125V/20A
4	15	153-1826	FLANGED TWISTLOCK INLET - 250V/20A
4	16	154-8683	POLYETHYLENE RECOVERY TANK ASSEMBLY (2002)
4	17	154-6629	SIDE LIFT HANDLE MOUNT
4	18	153-8403	BRAKE MOTOR ASSEMBLY (7 RPM-115 VOLT)
4	18	153-8803H	BRAKE MOTOR ASSEMBLY (7 RPM-230V 50 Hz)
4	19	154-8801	SQUEEGEE ADJUSTMENT ARM - LEFT
4	20	153-6412	DUSTER MOTOR SHIELD (7 RPM)
4	21	154-6628	CASTER/HANDLE MOUNT ANGLE
4	22	154-6627	SIDE LIFT HANDLE
4	23	154-6717	5-TOOTH SENSOR DISK - ALUMINUM (3/8 BORE)
4	24	154-1220	INDUCTIVE PROXIMITY SENSOR (TL-Q5MC1)
4	25	154-6266	GUARD-TIMING DISK (LDS & TACH) ALUMINUM
4	26	154-8616A	BUFFER MOTOR ASSEMBLY (115V-AC ONLY)
4	26	154-8616E	BUFFER MOTOR ASSEMBLY (230V-AC ONLY)
4	27	153-9013	BUFFER MOTOR PULLEY (10L050-1/2")
4	27	154-9613	BUFFER MOTOR PULLEY (12L050-5/8" W/KEY)
4	28	154-9615	T-BELT 255L050 (BUFFER MOTOR)
4	29	154-6679	BUFFER/HEAD DRIVE GUARD
4	30	154-8839	BUFFER IDLER ASSEMBLY
4	31	153-9014	BUFFER PULLEY (24L050-3/4")
4	32	154-9205B	PULLEY (28XL 3/8" BORE W/DBL SET)
4	32	154-9205D	PULLEY (24XL 3/8" BORE W/DBL SET)
4	33	153-1408	PUSH BUTTON (RED = NORMALLY OPEN)
4	34	154-6841	BUFFER IDLER MOUNT BAR
4	35	154-6357	LATCH FOR SPLASH GUARD
4	36	154-6356	MOUNT BLOCK FOR LATCH

FIGURE 4  
KUSTODIAN

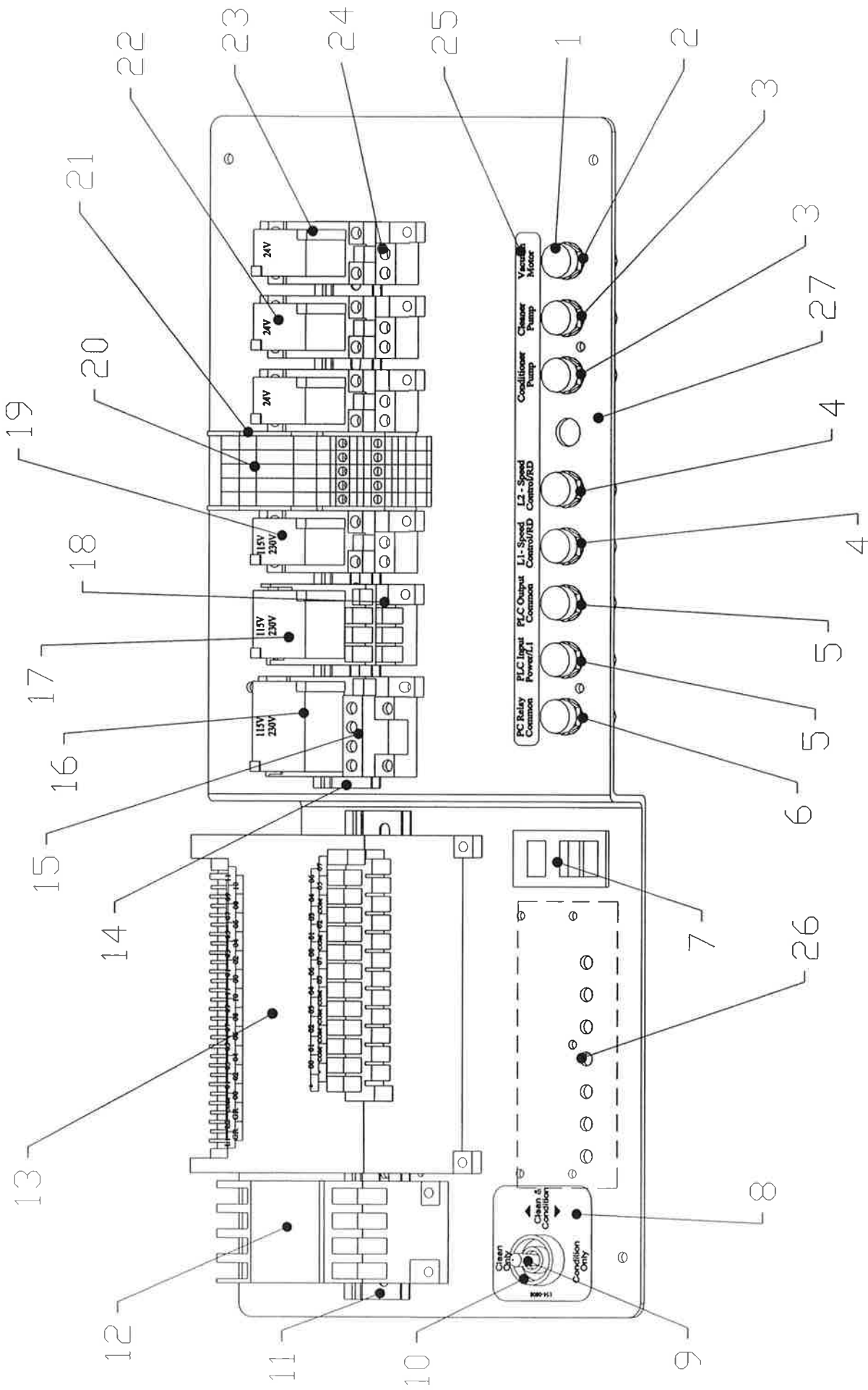


FIGURE 5

FIGURE NUMBER	INDEX NUMBER	PART NUMBER	PART NAME & DESCRIPTION
<b>FIGURE 5 PART NUMBERS</b>			
5	1	153-1028	PANEL-MOUNT FUSE HOLDER - UL (COMPLETE)
5	1	153-1028E	PANEL-MOUNT FUSE HOLDER - IEC (COMPLETE)
5	2	153-1810	CIRCUIT BREAKER - SPST (8A)
5	2	154-1273	FUSE - TIME DELAY (MDA-10A) UL
5	3	154-1262	FUSE - TIME DELAY (0.75A MDL) UL
5	3	154-1260E	FUSE - TIME DELAY (GDC-315mA) IEC
5	4	154-1268C	FUSE - TIME DELAY (4A ABC) UL - CERAMIC
5	4	154-1267E	FUSE - TIME DELAY (GDA-4A) IEC - CERAMIC
5	5	154-1261	FUSE - TIME DELAY (.5A MDL) UL
5	5	154-1261E	FUSE - TIME DELAY (GDC-500MA) IEC
5	6	154-1268	FUSE - TIME DELAY (4A MDL) UL
5	6	154-1268E	FUSE - TIME DELAY (GDC-4A) IEC
5	7	154-1272	CIRCUIT BREAKER - DPST (10A)
5	7	154-1610	CIRCUIT BREAKER - DPST (15A)
5	8	154-0808	TOGGLE SWITCH STICKER
5	9	153-1009	TOGGLE SWITCH (DPDT)
5	10	153-1209	BUTTON GUARD
5	11	153-1809C	DIN RAIL (8-1/4")
5	12	153-1004	BUFFER MOTOR CONTACTOR (115 VOLT)
5	12	153-1604	BUFFER MOTOR CONTACTOR (230 VOLT)
5	13	154-1801	MICROPROCESSOR - CPM2A
5	14	153-1809B	DIN RAIL (9-7/8")
5	15	153-1407	LY4 RELAY BASE
5	16	153-1406	LY4 RELAY (115 VOLT)
5	16	154-1611	LY4 RELAY (230 VOLT)
5	17	153-1018	LY3 RELAY (115 VOLT)
5	17	153-1618	LY3 RELAY (230 VOLT)
5	18	153-1019	LY3 RELAY BASE
5	19	153-1016	LY2 RELAY (115 VOLT)
5	19	153-1616	LY2 RELAY (230 VOLT)
5	20	154-1835	RELAY ASSY. COMPLETE (W/ RELAY)
5	21	154-1830	RELAY BASE SEPARATOR PLATE
5	22	153-1016D	LY2 RELAY - 24V
5	23	153-1020	RELAY CLAMPS
5	24	153-1017	LY2 RELAY BASE
5	25	154-0807P	FUSE PANEL STICKER
5	26	154-8810	CIRCUIT BOARD ASSEMBLY - 115V
5	26	154-8811	CIRCUIT BOARD ASSEMBLY - 230V
5	27	154-6861-2915	PC/RELAY MOUNT PLATE

FIGURE 5  
KUSTODIAN

RIGHT SIDE

LEFT SIDE

03:04

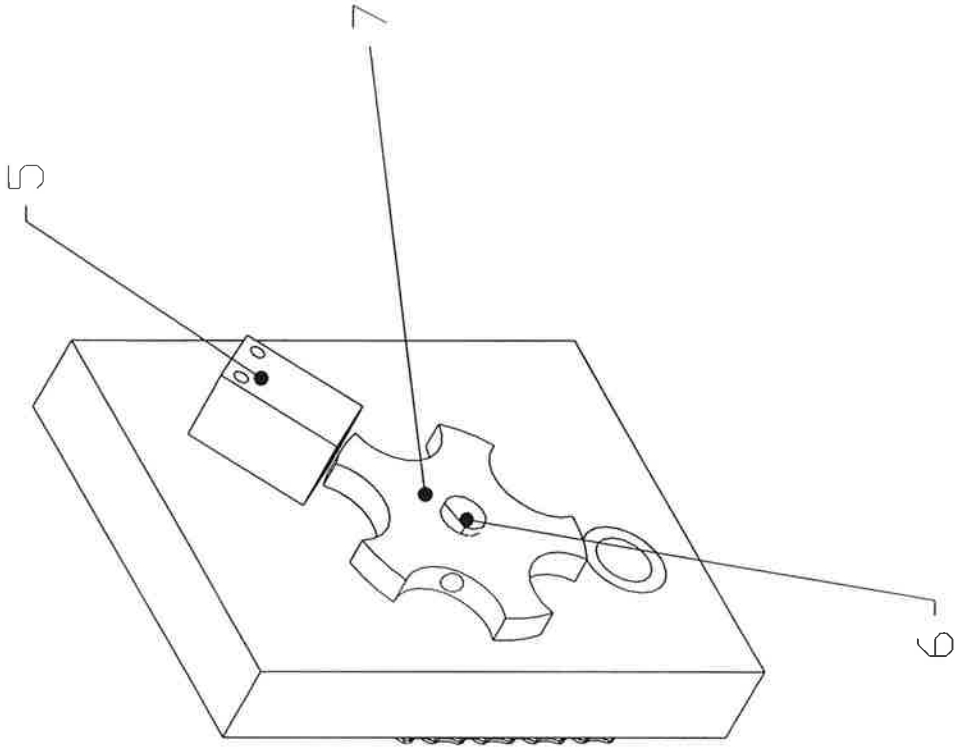
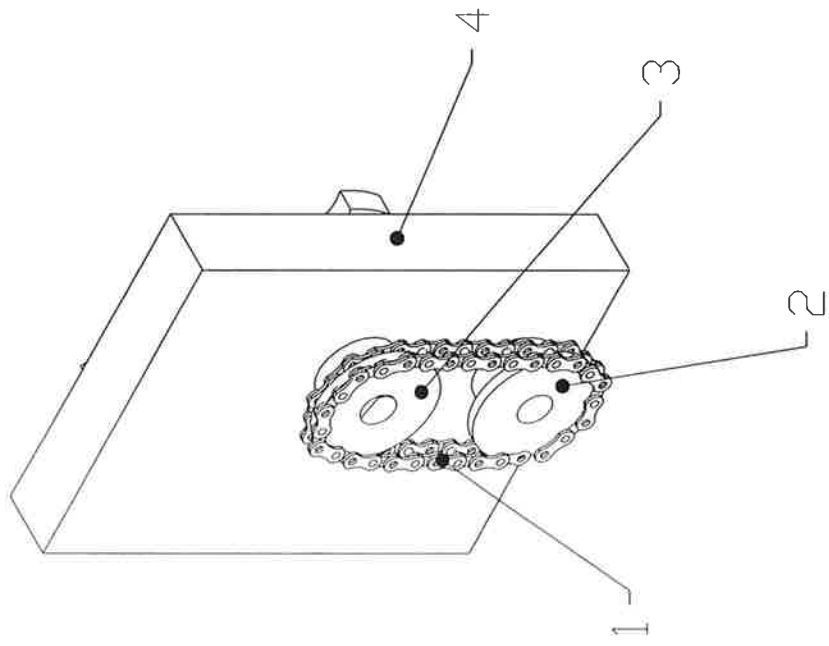


FIGURE 6

FIGURE NUMBER	INDEX NUMBER	PART NUMBER	PART NAME & DESCRIPTION
<b>FIGURE 6 PART NUMBERS</b>			
6	1	154-9211	LDS AND TACH SENSOR DRIVE CHAIN (25P29)
6	2	154-9213	SPROCKET - 25B15 (TACH AND LDS DRIVE 1/2" BORE)
6	3	153-9010	SPROCKET - 25B15 (TRANSFER DRIVE & LDS - 3/8")
6	4	154-8320	PILLOWBLOCK - LANE DISTANCE SHAFT (CENTER-PLAIN)
6	5	154-1220	PROXIMITY SENSOR
6	6	154-6264	SHAFT FOR TIMING DISK (REMOTE SENSOR)
6	7	154-6717	5-TOOTH ALUMINUM DISK (3/8 BORE)

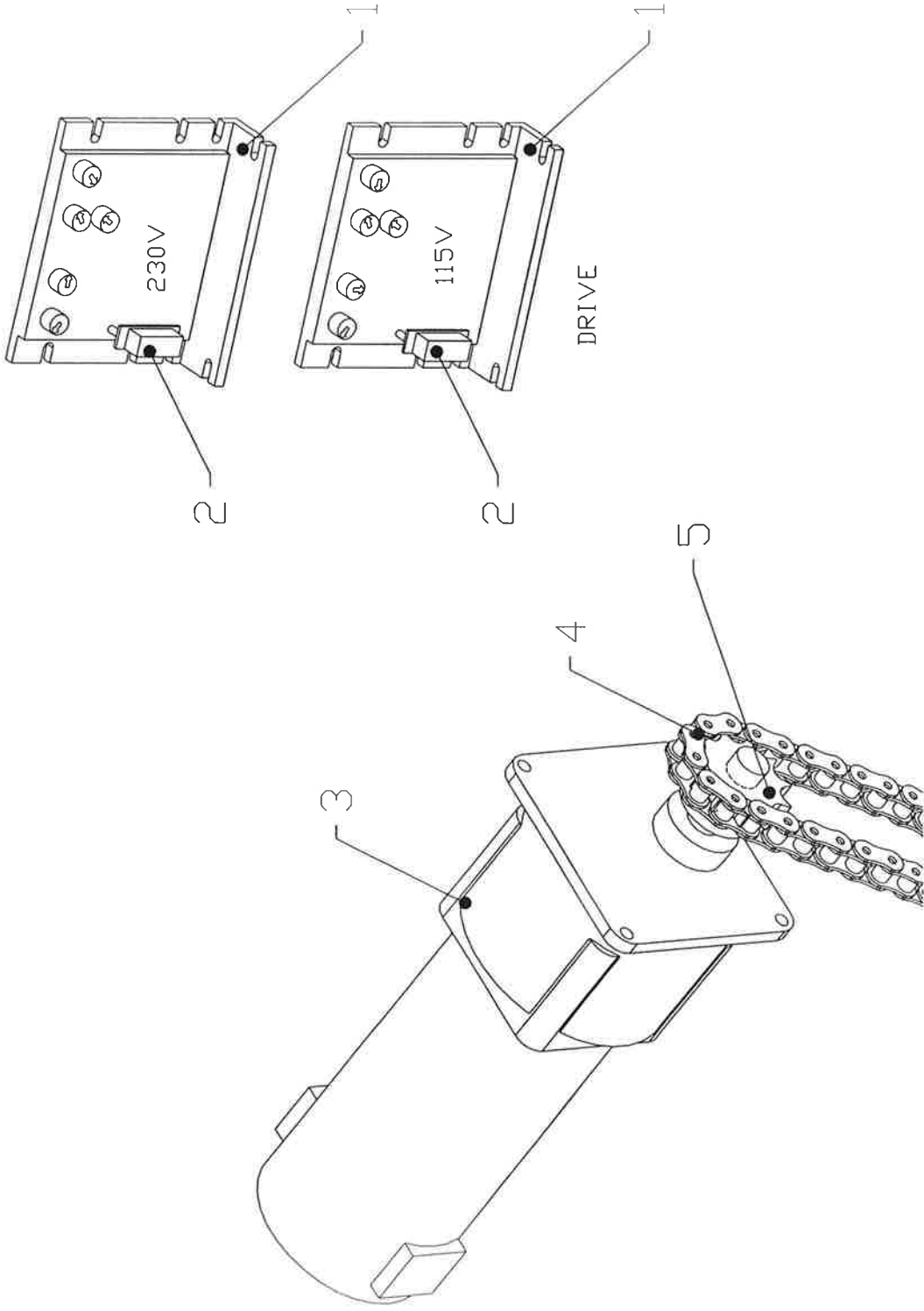


FIGURE 7



FIGURE NUMBER	INDEX NUMBER	PART NUMBER	PART NAME & DESCRIPTION
<b>FIGURE 7 PART NUMBERS</b>			
7	1	153-1012	SPEED CONTROL FOR DC MOTOR (KBIC-120)
7	1	153-1812	SPEED CONTROL FOR DC MOTOR (KBIC-240)
7	2	153-1015	HORSEPOWER RESISTOR (1/4 HP 0.5 OHM)
7	3	154-8865	BALDOR DC DRIVE MOTOR ASSEMBLY
7	4	153-9814	DRIVE CHAIN - (40P33)
7	5	153-9002	SPROCKET - 40B13 (5/8")

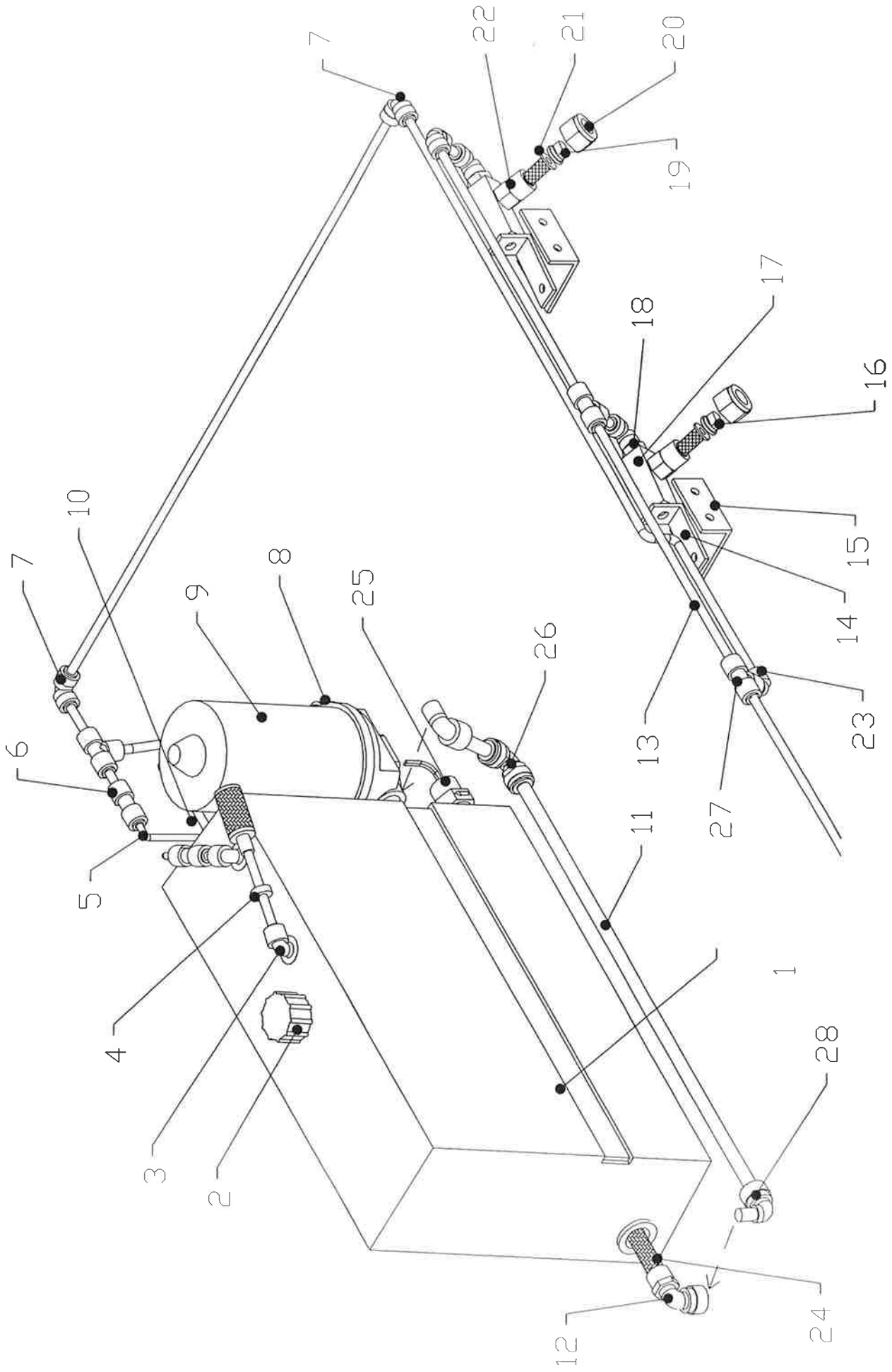


FIGURE 8

8  
↓

FIGURE NUMBER	INDEX NUMBER	PART NUMBER	PART NAME & DESCRIPTION
<b>FIGURE 8 PART NUMBERS</b>			
<del>13</del>	1	154-6722	CLEANER SUPPLY TANK (NO FITTINGS)
<del>13</del>	1	154-8680	CLEANER SUPPLY TANK (WITH FITTINGS)
<del>13</del>	2	154-0832	GARDEN HOSE FITTING CAP W/ GASKET
<del>13</del>	3	154-0223	ELBOW (90 DEGREE) - 1/4 NPT x 1/4" TUBE
<del>13</del>	4	154-8817	MANUAL VENT VALVE ASSEMBLY
<del>13</del>	5	154-0202B	PENCIL TUBING STOCK-3/16" OD X 1/16" ID
<del>13</del>	6	154-0248	REDUCING UNION CONNECTOR-1/4" X 3/16"
<del>13</del>	7	154-0243	ELBOW (90 DEGREE) 1/4 X 1/4 (GUEST)
<del>13</del>	8	154-0412	ELBOW - 3/8 NPT X 1/4 TUBE
<del>13</del>	9	153-8206F	WATER PUMP-FLOJET 115V
<del>13</del>	9	153-8206H	WATER PUMP-FLOJET 230V
<del>13</del>	10	154-0803	ELBOW - 3/8 NPT X 3/8" TUBE
<del>13</del>	11	154-0202	PUMP TUBING STOCK (3/8" OD X 1/4" ID)
<del>13</del>	12	154-0225	ELBOW - 3/8 TUBE OD X 1/4 NPT
<del>13</del>	13	153-0208S	SPRAY HOSE STOCK - 1/4" OD
<del>13</del>	14	153-6251S	SPRAY JET SWIVEL MOUNTING ANGLE
<del>13</del>	15	153-6251M	SPRAY JET WALL MOUNTING ANGLE
<del>13</del>	16	153-0207	SPRAY TIP - STAINLESS STEEL (8003)
<del>13</del>	17	153-6252	SPRAY JET BODY
<del>13</del>	18	153-0818	MALE SWIVEL ELBOW - 1/4 TUBE-1/4 NPT
<del>13</del>	19	154-0007	SPRAY TIP - STAINLESS STEEL (1501)
<del>13</del>	20	153-0218	TIP RETAINER CAP CONNECTOR
<del>13</del>	21	153-0220	SCREEN CHECK VALVE (POLYPROPYLENE - 10#)
<del>13</del>	22	153-0217	MALE BODY (1/4 - NYLON)
<del>13</del>	23	154-0222	ELBOW - 1/4" STEM X 1/4" TUBING OD
<del>13</del>	24	154-0212B	TANK FILTER (5" SS) FOR CLEANER TANK
<del>13</del>	25	154-1617	FLOAT - HORIZONTAL MOUNT FOR FLUID LEVEL
<del>13</del>	26	154-0256	ELBOW - 3/8 TUBE X 3/8 TUBE
<del>13</del>	27	153-0815	UNION TEE (1/4 X 1/4 X 1/4-QUICK DISC)
<del>13</del>	28	154-0258	ELBOW - 3/8 STEM X 3/8 TUBE

FIGURE 8  
KUSTODIAN

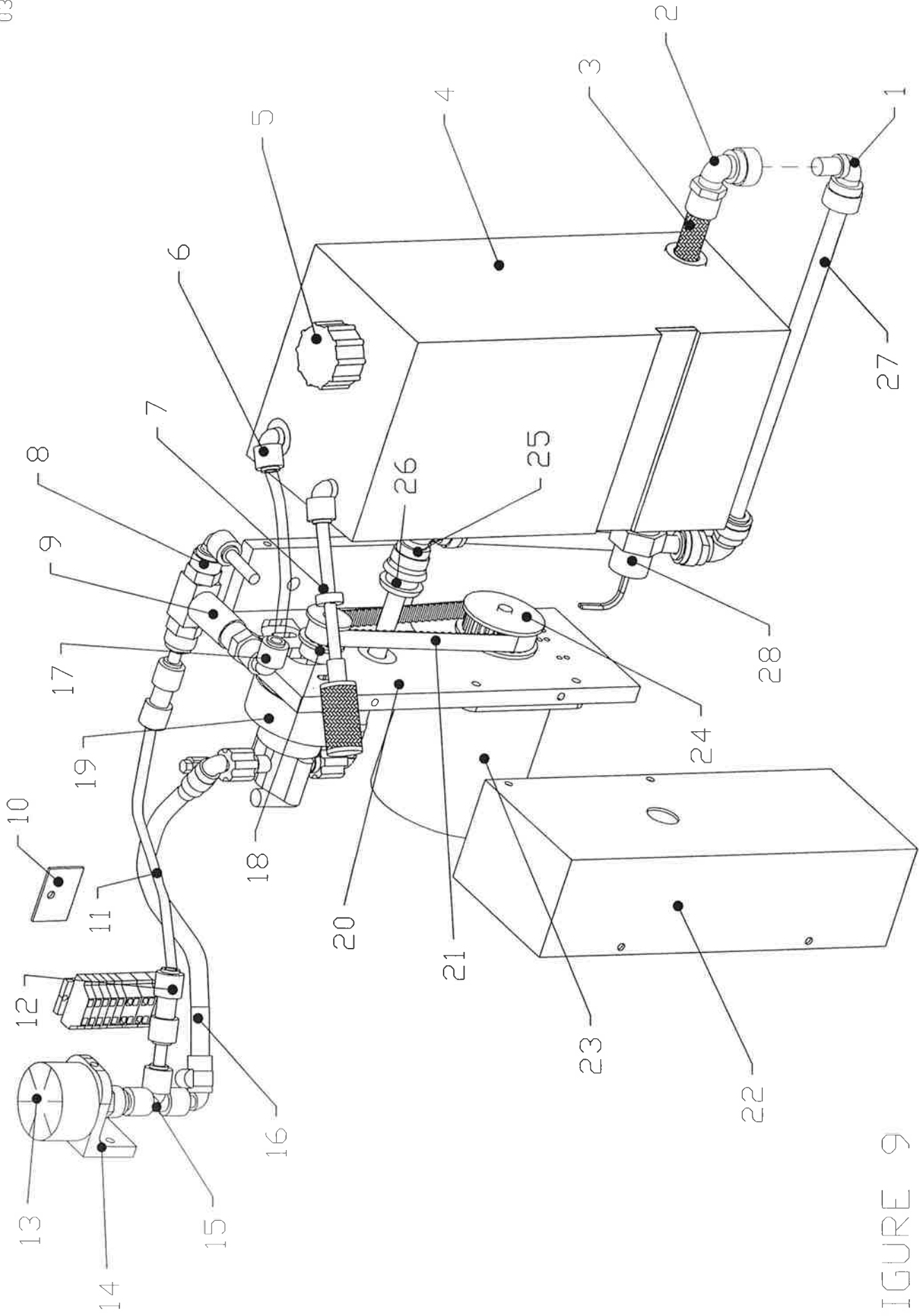


FIGURE 9

FIGURE NUMBER	INDEX NUMBER	PART NUMBER	PART NAME & DESCRIPTION
<b>FIGURE 9 PART NUMBERS</b>			
9	1	154-0258	ELBOW - 3/8 STEM 3/8 TUBE
9	2	154-0225	ELBOW - 3/8 TUBE OD X 1/4 NPT
9	3	154-0212	TANK FILTER (5" SS) FOR OIL TANK
9	4	154-6726	CONDITIONER TANK (NO FITTINGS)
9	4	154-8842	CONDITIONER TANK (COMPLETE)
9	5	154-0832	TANK CAP W/ GASKET
9	6	154-0223	ELBOW (90 DEGREE) - 1/4 NPT X 1/4" TUBE
9	7	154-8817	MANUAL VENT VALVE ASSEMBLY
9	8	154-0224	MALE CONNECTOR - 1/4" TUBE X 1/8 NPT
9	9	154-1209	VALVE-24V DC 3-WAY (1/8" NPT)
9	10	154-0609	MAGNETIC CATCH FOR SPLASH GUARD
9	11	154-0202B	PENCIL TUBING STOCK-3/16" OD X 1/16" ID
9	12	154-0248	REDUCING UNION CONNECTOR-1/4" X 3/16"
9	13	154-1225	PRESSURE GAUGE (0-30 PSI) - 1-1/2 DIA
9	14	154-6257	MOUNTING ANGLE FOR OIL PRESSURE GAUGE
9	15	153-0815	UNION TEE (1/4 X 1/4 X 1/4-QUICK DISC)
9	16	154-8660	PULSE SUPPRESSER TUBING KIT-STD (9.25")
9	17	154-0238	SWIVEL ELBOW - 1/4" TUBE X 1/8 NPT
9	18	154-9208	PULLEY (12XL-5/16" BORE W/SET SCREW)
9	19	154-1214	FLUID METERING PUMP-0.05 ML/STROKE
9	20	154-6223A	MOUNTING ANGLE - PUMP & MOTOR (#4-LEFT)
9	21	154-9202A	BELT FOR METERING PUMP (130XL037) 60 HZ
9	21	154-9215	BELT FOR METERING PUMP (140XL037) 50 HZ
9	22	154-6287	GUARD FOR PUMP & MOTOR
9	23	154-8604	MOTOR FOR METERING PUMP 115V (#4)
9	23	154-8604E	MOTOR FOR METERING PUMP 230V
9	24	154-9607	PULLEY (24XL 5/16" BORE W/SET)
9	24	154-9614	PULLEY (30XL 5/16" BORE W/SET)
9	25	154-0256	ELBOW - 3/8 TUBE OD x 3/8 TUBE
9	26	154-0218	GROMMET - 7/16 X 11/16 (1/4" PANEL)
9	27	154-0202	PUMP TUBING STOCK (3/8" OD X 1/4" ID)
9	28	154-1617	FLOAT FOR PLASTIC TANK

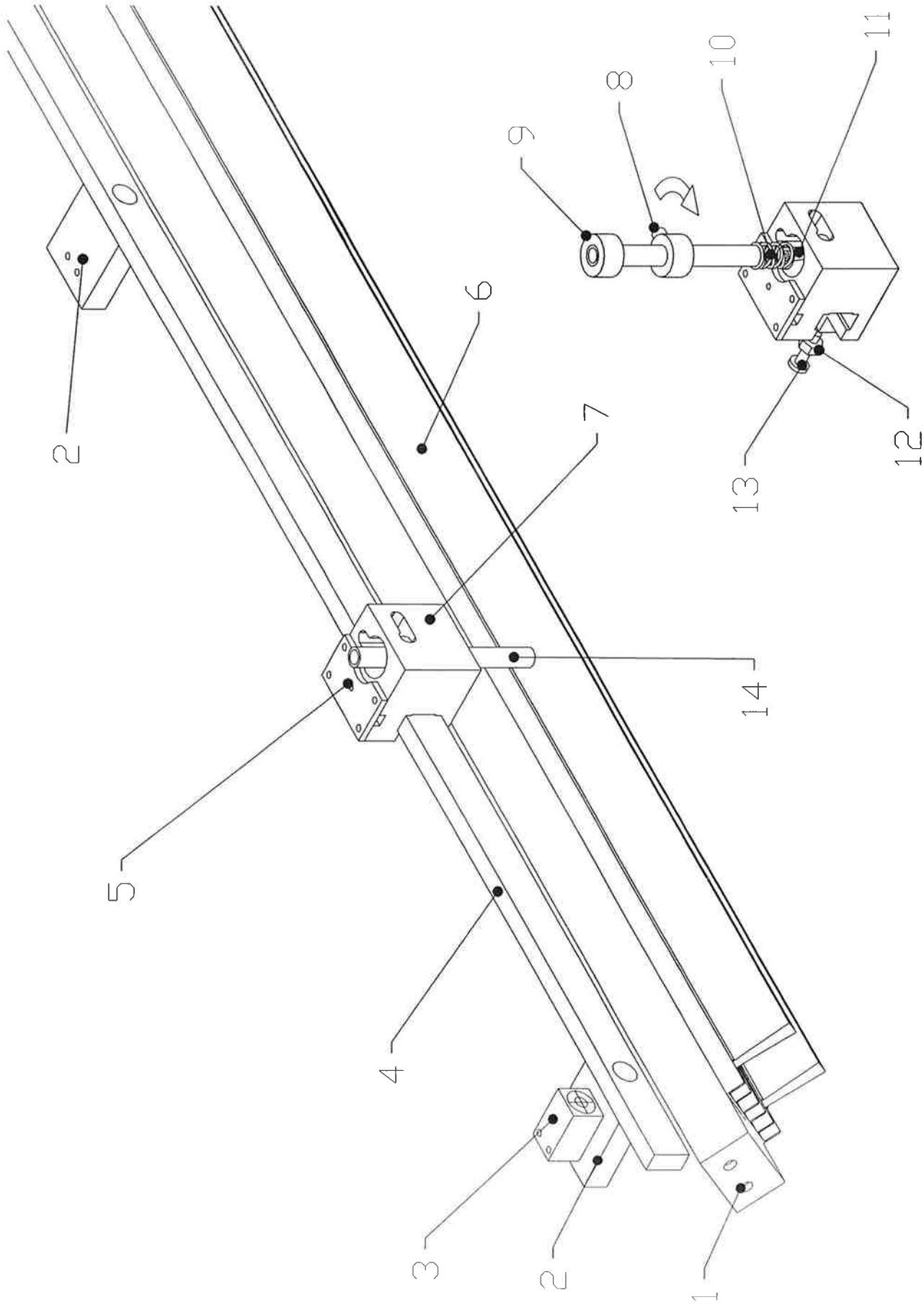


FIGURE 10

FIGURE NUMBER	INDEX NUMBER	PART NUMBER	PART NAME & DESCRIPTION
<b>FIGURE 10 PART NUMBERS</b>			
10	1	154-6862	BRUSH TRACK MOUNT - KUSTODIAN PLUS
10	2	154-6872	HEAD DRIVE MOUNT BAR
10	3	154-1220	INDUCTIVE PROXIMITY SENSOR (TL-Q5MC1)
10	4	154-6647A	SLIDING HEAD BAR
10	5	154-6646	HEAD BELT MOUNT PLATE
10	6	154-0866	STRIP BRUSH ASSEMBLY
10	7	154-6893	OIL HEAD - ADJUSTABLE TIP ANGLE
10	8	153-2051	SET SCREW - 1/4-20 X 1/2
10	9	153-2804	COLLAR - 3/8 X 3/4 X 3/8
10	10	153-2713	SPRING - OIL TIP RETAINER
10	11	154-6832	OIL PENCIL TIP - ALUMINUM
10	12	153-2022	HEX NUT - 10-24
10	13	153-2828	MS PHILLIPS - 10-24 X 2-1/2
10	14	154-6887	OIL HOSE AND TIP HOLDER

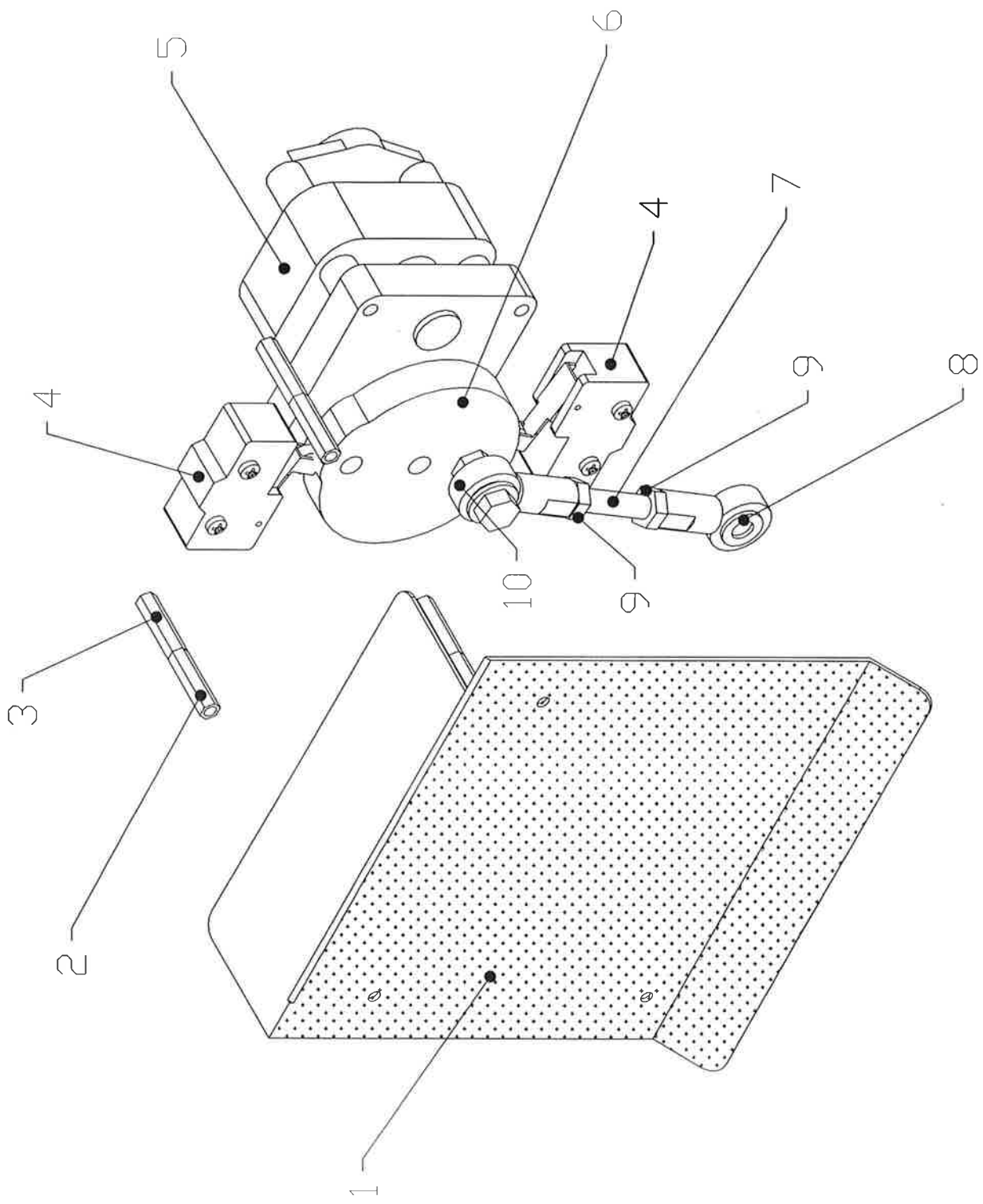


FIGURE 11



FIGURE NUMBER	INDEX NUMBER	PART NUMBER	PART NAME & DESCRIPTION
<b>FIGURE 11 PART NUMBERS</b>			
11	1	154-8607	GUARD FOR SQUEEGEE & DUSTER SWITCH-FELT
11	2	153-2530	STANDOFF FASTENER-8-32 X 1 (M/F)
11	3	153-2532	STANDOFF FASTENER-8-32 X 1 (F/F)
11	4	154-1015	MICROSWITCH WITH ROLLER
11	5	153-8207	BRAKE MOTOR ASSEMBLY (25 RPM-115 VOLT)
11	5	153-8807H	BRAKE MOTOR ASSEMBLY (25 RPM-230V 50 Hz)
11	6	154-6670	SQUEEGEE CAM
11	7	154-8646	5/16-24 X 3 ALLTHREAD (SQUEEGEE PIVOT)
11	8	153-0211	SQUEEGEE ROD END WITH FITTING (ON MOTOR)
11	9	153-2214	JAM NUT - 5/16-24
11	10	153-0211	SQUEEGEE ROD END WITH FITTING (ON MOTOR)

RIGHT SIDE

LEFT SIDE

03:04

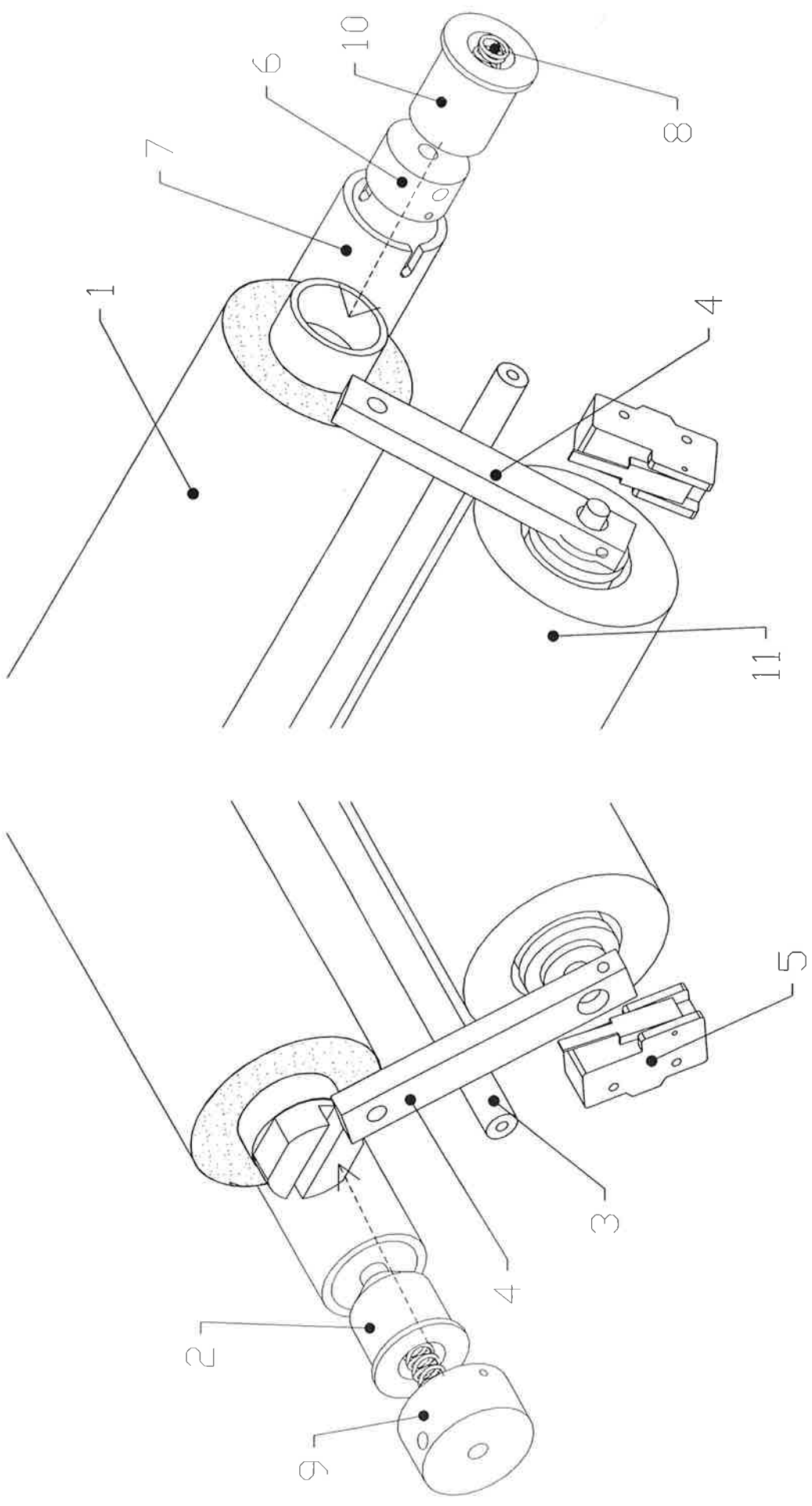


FIGURE 12

FIGURE NUMBER	INDEX NUMBER	PART NUMBER	PART NAME & DESCRIPTION
<b>FIGURE 12 PART NUMBERS</b>			
12	1	153-0047K	KEGEL KLOTH - (TAN - SOLD BY CASE)
12	1	153-0047P	K2 DUSTER CLOTH - (WHITE - SOLD BY CASE)
12	2	153-6850	UHMW DUSTER PLUG FOR CARDBOARD CORE
12	3	153-6825	DUSTER CLOTH ROUTING BAR (SS) - (OPTIONAL)
12	4	153-8420	CUSHION ROLLER PIVOT ARM ASSEMBLY
12	5	154-1603	MICROSWITCH-WITHOUT ROLLER (LARGE)
12	6	153-8202B	DUSTER SOLID DRIVE HUB (PVC-1/4-28)
12	7	153-8824	PVC TAKE-UP REEL ASSEMBLY (44-3/4")
12	8	153-2808	SPRING - 0.42 OD X 1.25 (DUSTER PLUG)
12	9	153-8201B	DUSTER DRIVE HUB ASSEMBLY (1/4-28)
12	10	153-6853	UHMW DUSTER PLUG FOR PVC TAKE-UP REEL
12	11	153-8838	CUSHION ROLLER WITH STEMS (STEEL=44-3/8)

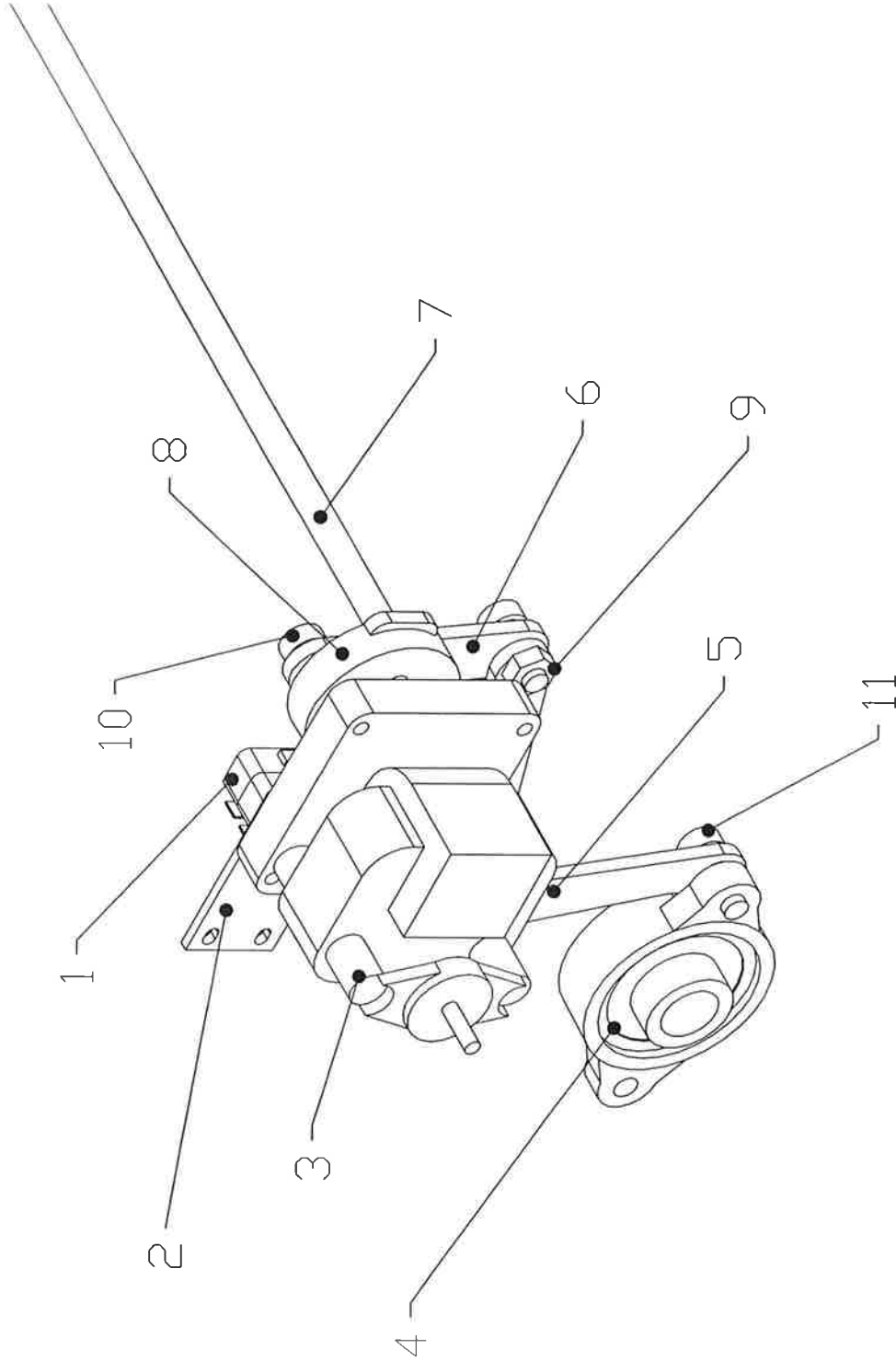


FIGURE 13

FIGURE NUMBER	INDEX NUMBER	PART NUMBER	PART NAME & DESCRIPTION
<b>FIGURE 13 PART NUMBERS</b>			
13	1	153-1203	MICROSWITCH-WITH ROLLER (SQUEEGEE/BRUSH)
13	2	154-6824	BRUSH CAM SWITCH PLATE
13	3	153-8207	BRAKE MOTOR ASSEMBLY (25 RPM-115 VOLT)
13	3	153-8807H	BRAKE MOTOR ASSEMBLY (25 RPM-230V 50 Hz)
13	4	154-8640	FLANGED BEARING-STD BRUSH (3/4" ROTATED)
13	5	154-8638	BUFFER BRUSH LIFTING LINK - LEFT
13	5	154-8639	BUFFER BRUSH LIFTING LINK - RIGHT (NOT SHOWN)
13	6	154-8837	CAM TO BRUSH LIFTING ROD LINK ASSEMBLY
13	7	154-8637	BUFFER BRUSH LIFTING ASSEMBLY
13	8	154-6243	MOTOR CAM-DUAL LOBES (STACKED SWITCHES)
13	9	153-2027A	JAM NUT - 5/16-18
13	10	153-2801	SHOULDER BOLT-3/8 X 3/8 (5/16-18)
13	11	153-2801A	SHOULDER BOLT-3/8 X 3/8-CUT (5/16-18)



FIGURE NUMBER	INDEX NUMBER	PART NUMBER	PART NAME & DESCRIPTION	QUANTITY NEEDED
1	1	154-8818	SPLASH GUARD ASSEMBLY	1
		<i>ATTACHING PARTS</i>		
		153-2004	FLAT WASHER - 1/4	2
		153-2014	LOCK WASHER - 1/4	2
		153-2603	HHCS - 1/4-20 X 3/4	2
1	2	154-1250	EMERGENCY STOP CIRCUIT BREAKER ASSEMBLY	1
		<i>ATTACHING PARTS</i>		
		153-2001	FLAT WASHER - #6	2
		153-2018	LOCKNUT - 6-32 (NYLOK)	2
		153-2084	MS PHILLIPS - 6-32 X 1	2
1	3	154-8806	KEYPAD ASSY	1
		<i>ATTACHING PARTS</i>		
		154-0801	KEYBOARD DECAL - KUSTODIAN	1
1	4	154-1225	PRESSURE GAUGE (0-30 PSI) - 1-1/2 DIA	1
		<i>USE TEFLON TAPE</i>		
		<i>ATTACHING PARTS</i>		
		154-0257	FEMALE CONNECTOR - 1/4" TUBE x 1/8 FPT	1
1	5	154-8823	LANE TO LANE HANDLE ASSEMBLY	1
		<i>ATTACHING PARTS</i>		
		153-2006	FLAT WASHER - 3/8	4
		153-2027	JAM NUT - 3/8-16	2
		153-2815	HHCS - 3/8-16 X 2-1/4 (GRADE 8)	2
		153-6851	UHMW HANDLE SPACER	2
1	6	154-8805	VACUUM MOTOR ASSEMBLY	1
		154-8805E	VACUUM MOTOR ASSEMBLY	1
1	7	154-8206	TRANSFER ROLLER MOTOR - 25 RPM (115V)	1 on 115V
		154-8206A	TRANSFER ROLLER MOTOR - 25 RPM (230V)	1 on 230V
		<i>ATTACHING PARTS</i>		
		153-2002	FLAT WASHER - #8	8
		153-2019	LOCKNUT - 8-32 (NYLOK)	4
		153-2816	MS PHILLIPS - 8-32 X 2 (SS)	4
1	8	154-8625	VACUUM MOTOR HOUSING - ALUMINUM	1
		<i>ATTACHING PARTS</i>		
		153-2004	FLAT WASHER - 1/4	4
		153-2014	LOCK WASHER - 1/4	2
		153-2023	HEX NUT - 1/4-20	2
		153-2052	HHCS - 1/4-20 X 7/8	2
1	9	154-0260	FLEXIBLE VACUUM HOSE STOCK (1-1/2" ID)	INCH
1	10	153-8827T	1-1/4 PVC ELBOW-TANK INLET (NO THREADS)	2
1	11	153-6850	UHMW DUSTER PLUG FOR CARDBOARD CORE	1
		<i>ATTACHING PARTS</i>		
		153-2005	FLAT WASHER - 5/16	1
		153-2020A	LOCKNUT - 1/4-20 (STOVER)	1
		153-2807	SHOULDER BOLT - 5/16 X 2 (1/4-20) DUSTER PLUG	1
		153-2808	SPRING - 0.42 OD X 1.25 (DUSTER PLUG)	1
1	12	153-8202B	DUSTER SOLID DRIVE HUB (PVC-1/4-28)	1
		<i>ATTACHING PARTS</i>		
		153-2050	SET SCREW - 1/4-28 X 3/8	1
1	13	154-8804	MAIN DRIVE SHAFT GUARD ASSEMBLY	1
		<i>ATTACHING PARTS</i>		
		153-2006	FLAT WASHER - 3/8	10
1	14	153-6437	PUSH BUTTON MOUNTING PLATE	1
		<i>ATTACHING PARTS</i>		
		153-2013	#10 LOCK WASHER	2
		153-2086A	MS PHILLIPS - 8-32 X 3/8	2

FIGURE NUMBER	INDEX NUMBER	PART NUMBER	PART NAME & DESCRIPTION	QUANTITY NEEDED
1	15	153-1209	BUTTON GUARD	1
1	16	154-8683	POLYETHYLENE RECOVERY TANK ASSEMBLY (2002	1
		ATTACHING PARTS		
		153-2406	HOSE CLAMP (1-1/2")	1
		153-8827	1-1/4 PVC ELBOW FOR RECOVERY TANK INLET (NO THREADS)	1
		154-0260	FLEXIBLE HOSE STOCK FOR VACUUM (1-1/2" ID)	28"
1	17	153-8311	MOMENTARY WHEEL ASSEMBLY (URETHANE	2
		ATTACHING PARTS		
		153-2049	SET SCREW - 8-32 X 3/16	1
		153-6006	MOMENTARY LANE ROLER SHAFT	1
1	18	153-6029	MOMENTARY WHEEL HOUSING	2
		ATTACHING PARTS		
		153-2005	FLAT WASHER - 5/16	4
		153-2015	LOCK WASHER - 5/16	2
		153-2024	HEX NUT - 5/16-18	2
		153-2061	HHCS - 5/16-18 X 1	2
1	19	154-8616A	BUFFER MOTOR ASSEMBLY (115V-AC ONLY	1 on 115V
		154-8616E	BUFFER MOTOR ASSEMBLY (230V-AC ONLY	1 on 230V
		ATTACHING PARTS		
		153-2006	FLAT WASHER - 3/8	4
		153-2016	LOCK WASHER - 3/8	4
		153-2066	HHCS - 3/8-16 X 1	4
1	20	153-0001	TRANSPORT CASTER (3" DUAL WHEEL	4
		ATTACHING PARTS		
		153-2007	FLAT WASHER - 1/2	2
		153-2017	LOCK WASHER - 1/2	1
		153-2026	HEX NUT - 1/2-13	1
		153-2073A	HHCS - 1/2-13 X 1-1/2	1
1	21	154-8824	PUSH BUTTON REPLACEMENT HARNESS	1
		ATTACHING PARTS		
		153-1209	BUTTON GUARD	1
2	1	153-7002AA	LANE DISTANCE COUNTER WHEEL-TREADED (2"	2
		ATTACHING PARTS		
		153-2050	SET SCREW - 1/4-28 X 3/8	2
2	2	154-8619	PILLOWBLOCK-LANE DISTANCE (LEFT-FLANGED	1
		ATTACHING PARTS		
		153-2005	FLAT WASHER - 5/16	2
		153-2015	LOCK WASHER - 5/16	2
		153-2602	HHCS - 5/16-18 X 3/4	2
2	3	154-6664	BUFFER BRUSH PULLEY SPACER-STANDARC	1
2	4	153-9803	FLANGED BUSHING (3/8 X 1/2 X 1/4)	4
2	5	154-6652	GUIDE ROLLER MOUNT BLOCK	4
		ATTACHING PARTS		
		153-2005	FLAT WASHER - 5/16	2
		153-2015	LOCK WASHER - 5/16	2
		153-2061	HHCS - 5/16-18 X 1	2
2	6	153-8410	LANE EDGE GUIDE ROLLER W/BUSHING (1/2"	4
		ATTACHING PARTS		
		153-2006	FLAT WASHER - 3/8	1
		153-2401	SPRING - 0.54 OD X 0.75 (GUIDE ROLLER)	1
		153-2527	SHOULDER BOLT - 3/8 X 2-1/4 (5/16-18) GUIDE ROLLER	1
2	7	154-6820	MAIN DRIVE SHAFT	1
		ATTACHING PARTS		
		153-2036	SNAP RING - 5/8	3
		153-0043	THICK FELT WASHER - 5/8	3



FIGURE NUMBER	INDEX NUMBER	PART NUMBER	PART NAME & DESCRIPTION	QUANTITY NEEDED	
2	8	154-8803	DRIVE SHAFT PILLOWBLOCK	2	
		ATTACHING PARTS			
		153-2006	FLAT WASHER - 3/8	2	
		153-2016	LOCK WASHER - 3/8	2	
		153-2066	HHCS - 3/8-16 X 1	2	
2	9	153-8838	CUSHION ROLLER ASSEMBLY WITH STEMS	1	
2	10	153-0202	COMPLETE SQUEEGEE ASSEMBLY (2-PIECE BLUE)	1	
		ATTACHING PARTS			
		153-2004	FLAT WASHER - 1/4	2	
		153-2014	LOCK WASHER - 1/4	2	
		153-2023	HEX NUT - 1/4-20	2	
2	11	154-0810	LIFTING HANDLE (SS SPRING-LOADED CHEST)	2	
		ATTACHING PARTS			
		153-2003	FLAT WASHER - # 10	3	
		153-2208	LOCK NUT - 10-24 NYLOCK	3	
		153-2301	MS PHILLIPS - 10-24 X 5/8	3	
2	12	154-6817	SQUEEGEE MOUNT ANGLE	1	
		ATTACHING PARTS			
		153-2005	FLAT WASHER - 5/16	2	
		153-2027A	JAM NUT - 5/16-18	2	
		153-2062	HHCS - 5/16-18 X 1-1/4	2	
		153-2303	SHOULDER BOLT - 3/8 X 5/8 (5/16-18) SQ PIVOT	2	
2	13	153-7013	URETHANE-BLEND LANE DRIVE WHEEL (4")	2	
		ATTACHING PARTS			
		153-2819	SET SCREW - 5/16-24 X 3/8	2	
2	14	154-8007	SIDE PLATE PILLOWBLOCK FOR DRIVE SHAFT	2	
		ATTACHING PARTS			
		153-2006	FLAT WASHER - 3/8	6	
		153-2015	LOCK WASHER - 3/8	4	
		153-2024	HEX NUT - 3/8-16	4	
		153-2068	HHCS - 3/8-16 X 1-1/2	2	
		153-2805A	FHSS - 3/8-16 X 1-1/2	2	
2	15	153-2401	SPRING - 0.54 OD X 0.75 (GUIDE ROLLER)	4	
2	16	154-6651	FRONT GUIDE ROLLER MOUNT	2	
		ATTACHING PARTS			
		153-2004	FLAT WASHER - 1/4	2	
		153-2014	LOCK WASHER - 1/4	2	
		153-2023	HEX NUT - 1/4-20	2	
		153-2706	CARRIAGE BOLT - 1/4-20 X 1	2	
2	17	154-6833	SKID GUIDES	2	
		ATTACHING PARTS			
		153-2004	FLAT WASHER - 1/4	4	
		153-2014	LOCK WASHER - 1/4	2	
		153-2023	HEX NUT - 1/4-20	2	
		153-2053A	BHSS - 1/4-20 X 1	2	
2	18	154-8640	FLANGED BEARING FOR BUFFER BRUSH (3/4" ROTATED)	2	
		ATTACHING PARTS			
		153-2009	NYLON FLAT WASHER (3/8 - 0.060)	1	
		153-2801	SHOULDER BOLT - 3/8 X 3/8 (5/16-18) BRUSH LIFT	1	
2	19	154-6042	UHMW WHEEL - CORNER GUARD	2	
		ATTACHING PARTS			
		153-2004	FLAT WASHER - 1/4	2	
		153-2014	LOCK WASHER - 1/4	1	
		153-2023	HEX NUT - 1/4-20	1	
		153-2053	HHCS - 1/4-20 X 1	1	
2	20	154-6821	LDS SHAFT	1	

FIGURE NUMBER	INDEX NUMBER	PART NUMBER	PART NAME & DESCRIPTION	QUANTITY NEEDED	
2	21	154-8641	BUFFER BRUSH ASSEMBLY	1	
		ATTACHING PARTS			
		153-2707	SHCS - 5/16-24 X 3/4	1	
		153-2711	FENDER WASHER - 5/16	1	
		154-8640	FLANGED BEARING FOR BUFFER BRUSH (3/4" ROTATED)	2	
2	22	153-0202B	REPLACEMENT SQUEEGEE BLADE-BLUE STOCK	1 PAIR	
3	1	153-0812	TRANSPORT CASTER - HEAVY DUTY (2" DUAL WHEEL)	4	
		ATTACHING PARTS			
		153-2006	FLAT WASHER - 3/8	2	
		153-2016	LOCK WASHER - 3/8	1	
		153-2025	HEX NUT - 3/8-16	1	
		153-2067	HHCS - 3/8-16 X 1-1/4	1	
3	2	153-6412	DUSTER MOTOR SHIELD (7 RPM)	2	
		ATTACHING PARTS			
		153-2013	LOCK WASHER - #10	2	
		153-2113	MS PHILLIPS - 8-32 X 3/8 (SELF TAP)	2	
		153-6412C	COVER FOR DUSTER MOTOR SHIELD	1	
3	3	154-6627	SIDE LIFT HANDLE	2	
		ATTACHING PARTS			
		153-2005	FLAT WASHER - 5/16	2	
		153-2015	LOCK WASHER - 5/16	2	
		153-2061	HHCS - 5/16-18 X 1	2	
3	4	154-6628	CASTER/HANDLE MOUNT ANGLE	2	
		ATTACHING PARTS			
		153-2006	FLAT WASHER - 3/8	4	
		153-2016	LOCK WASHER - 3/8	2	
		153-2025	HEX NUT - 3/8-16	2	
		153-2067	HHCS - 3/8-16 X 1-1/4	2	
3	5	154-8802	SQUEEGEE ADJUSTMENT ARM - RIGHT	1	
		ATTACHING PARTS			
		153-2004	FLAT WASHER - 1/4	2	
		153-2014	LOCK WASHER - 1/4	2	
		153-2023	HEX NUT - 1/4-20	2	
		153-2079	FHMS - 1/4-20 X 1	2	
3	6	153-8403	COIL-BRAKE MOTOR ASSEMBLY (7 RPM-115 VOLT)	2 on 115V	
		153-8803H	COIL-BRAKE MOTOR ASSEMBLY (7 RPM-230V 50 Hz)	2 on 230V	
		ATTACHING PARTS			
		153-2003	FLAT WASHER - #10	4	
		153-2013	LOCK WASHER - #10	4	
		153-2091	MS PHILLIPS - 10-32 X 3/4	3	
		153-2604	MS FLAT PHILLIPS - 10-32 X 1/2	1	
3	7	154-6629	SIDE LIFT HANDLE MOUNT	2	
		ATTACHING PARTS			
		153-2006	FLAT WASHER - 3/8	2	
		153-2016	LOCK WASHER - 3/8	2	
		153-2066	HHCS - 3/8-16 X 1	2	
3	8	153-8827T	1-1/4 PVC ELBOW-TANK INLET (NO THREADS)	2	
FOR ATTACHING PARTS SEE FIG. 1:€					
3	9	154-0260	FLEXIBLE HOSE STOCK FOR VACUUM (1-1/2" ID)	6-1/8"	
3	10	153-8207	BRAKE MOTOR ASSEMBLY (25 RPM-115 VOLT)	2 on 115V	
3	10	153-8807H	BRAKE MOTOR ASSEMBLY (25 RPM-230V 50 Hz)	2 on 230V	
ATTACHING PARTS					
		153-2604	MS FLAT PHILLIPS - 10-32 X 1/2	4	

FIGURE NUMBER	INDEX NUMBER	PART NUMBER	PART NAME & DESCRIPTION	QUANTITY NEEDED
3	11	154-8607	SQUEEGEE & DUSTER SWITCH GUARD(WITH FELT)	1
			ATTACHING PARTS	
		153-2002	FLAT WASHER - #8	6
		153-2086	MS PHILLIPS - 8-32 X 5/8	6
		153-2530	STANDOFF FASTENER - 8-32 X 1 (MALE/FEMALE) STEEL	3
		153-2532	STANDOFF FASTENER - 8-32 X 1 (FEMALE/FEMALE) ALUMINUM	3
3	12	154-6698	LID MOUNT PLATE	2
			ATTACHING PARTS	
		153-2019	LOCKNUT - 8-32 (NYLOK)	2
		153-2086	MS PHILLIPS - 8-32 X 5/8	2
3	13	154-9201	BELT FOR HEAD DRIVE (XL025 - 9 FEET)	1
3	14	154-8823	LANE TO LANE HANDLE ASSEMBLY	1
			ATTACHING PARTS	
		153-2006	FLAT WASHER - 3/8	4
		153-2027	JAM NUT - 3/8-16	4
		153-2815	HHCS - 3/8-16 X 2-1/4 (GRADE 8)	2
		153-6851	UHMW HANDLE SPACER	2
3	15	154-6041	UHMW HANDLE STOP	2
			ATTACHING PARTS	
		153-2004	FLAT WASHER - 1/4	4
		153-2014	LOCK WASHER - 1/4	2
		153-2023	HEX NUT - 1/4-20	2
		153-2053A	BHSS - 1/4-20 X 1	2
3	16	153-6851	UHMW HANDLE SPACER	2
3	17	153-2818	HHCS - 3/8-16 X 2-1/2 (GRADE 8)	2
			ATTACHING PARTS	
		153-2006	FLAT WASHER - 3/8	2
		153-2016	LOCK WASHER - 3/8	1
		153-2025	HEX NUT - 3/8-16	1
		153-2027	JAM NUT - 3/8-16	1
3	18	153-0001	TRANSPORT CASTER (3" DUAL WHEEL)	4
			FOR ATTACHING PARTS SEE FIG. 1:2C	
3	19	154-6221	MOUNTING ANGLE - HEAVY DUTY CASTER (3 x 3.625)	2
			ATTACHING PARTS	
		153-2006	FLAT WASHER - 3/8	4
		153-2016	LOCK WASHER - 3/8	2
		153-2025	HEX NUT - 3/8-16	2
		153-2067	HHCS - 3/8-16 X 1-1/4	2
3	20	154-6042	UHMW WHEEL - CORNER GUARD	2
			FOR ATTACHING PARTS SEE FIG. 2:1E	
3	21	154-9204	PULLEY - HEAD IDLER (32XL-1/4" BORE-W/SET)	1
			ATTACHING PARTS	
		154-6665	HEAD TIMING SHAFT - SANCTION STANDARD	1
3	22	154-8643	HEAD IDLER PULLEY MOUNT	1
			ATTACHING PARTS	
		153-2005	FLAT WASHER - 5/16	8
		153-2015	LOCK WASHER - 5/16	6
		153-2024	HEX NUT - 5/16-18	6
		153-2027A	JAM NUT - 5/16-18	2
		153-2502	FHMS - 5/16-18 X 5	2
3	23	154-8640	FLANGED BEARING-STD BRUSH (3/4" ROTATED)	2
			FOR ATTACHING PARTS SEE FIG 2:2C	

FIGURE NUMBER	INDEX NUMBER	PART NUMBER	PART NAME & DESCRIPTION	QUANTITY NEEDED	
3	24	154-6818	HEAD SENSOR GUARD	1	
		ATTACHING PARTS			
		153-2013	LOCK WASHER - #10	1	
		153-2015	LOCK WASHER - 5/16	2	
		153-2113	MS PHILLIPS - 8-32 X 3/8 (SELF TAP)	1	
		153-2512	ACORN NUT - 5/16-18	2	
3	25	154-6829	MOUNTING PLATE - HEAD TIMING SENSORS	1	
		ATTACHING PARTS			
		153-2202	FHMS - 8-32 X 3/8	2	
3	26	154-6831	6-TOOTH SENSOR DISK - ALUMINUM	1	
		ATTACHING PARTS			
		153-2050	SET SCREW - 1/4-28 X 3/8	1	
3	27	154-1220	INDUCTIVE PROXIMITY SENSOR (TL-Q5MC1)	1	
		ATTACHING PARTS			
		153-2231	LOCK NUT - 4-40 NYLOCK	2	
		153-2505	MS PHILLIPS - 4-40 X 1	2	
4	1	153-0812	TRANSPORT CASTER - HEAVY DUTY (2" DUAL WHEEL)	4	
		ATTACHING PARTS			
		153-2006	FLAT WASHER - 3/8	2	
		153-2016	LOCK WASHER - 3/8	1	
		153-2025	HEX NUT - 3/8-16	1	
		153-2067	HHCS - 3/8-16 X 1-1/4	1	
4	2	154-6221	MOUNTING ANGLE - HEAVY DUTY CASTER (3 x 3.625)	2	
		FOR ATTACHING PARTS SEE FIG. 3:15			
4	3	153-0001	TRANSPORT CASTER (3" DUAL WHEEL)	4	
		FOR ATTACHING PARTS SEE FIG. 1:2C			
4	4	153-8207	BRAKE MOTOR ASSEMBLY (25 RPM-115 VOLT)	2 on 115V	
4	4	153-8807H	BRAKE MOTOR ASSEMBLY (25 RPM-230V 50 Hz)	2 on 230V	
		ATTACHING PARTS			
		153-2604	MS FLAT PHILLIPS - 10-32 X 1/2	4	
4	5	154-1206	GEAR BOX FOR HEAD DRIVE MOTOR	1	
4	6	153-2818	HHCS - 3/8-16 X 2-1/2 (GRADE 8)	2	
		FOR ATTACHING PARTS SEE FIG. 3:17			
4	7	153-6851	UHMW HANDLE SPACER	2	
4	8	154-8823	LANE TO LANE HANDLE ASSEMBLY	1	
		FOR ATTACHING PARTS SEE FIG. 3:14			
4	9	154-6041	UHMW HANDLE STOP	2	
		FOR ATTACHING PARTS SEE FIG. 3:15			
4	10	154-9201	BELT FOR HEAD DRIVE (XL025 - 9 FEET)	1	
4	11	154-6222	MOUNTING ANGLE - HEAD DRIVE MOTOR	1	
		ATTACHING PARTS			
		153-2004	FLAT WASHER - 1/4	2	
		153-2014	LOCK WASHER - 1/4	2	
		153-2052	HHCS - 1/4-20 X 7/8	2	
4	12	154-8232	HEAD DRIVE MOTOR - 115V (NO GEARBOX)	1 on 115V	
4	12	154-8632	HEAD DRIVE MOTOR-230V STD (NO GEARBOX)	1 on 230V	

FIGURE NUMBER	INDEX NUMBER	PART NUMBER	PART NAME & DESCRIPTION	QUANTITY NEEDED
4	13	154-1208	MOTOR CAPACITOR (6.0 mF)	1
4	13	154-1208B	MOTOR CAPACITOR (1.5 mF)	1
		<i>ATTACHING PARTS</i>		
		153-2002	FLAT WASHER - #8	1
		153-2019	LOCK NUT - 8-32 NYLOK	1
		153-2086	MS PHILLIPS - 8-32 X 5/8	1
4	14	154-6698	LID MOUNT PLATE	2
		<i>FOR ATTACHING PARTS SEE FIG. 3:1</i>		
4	15	153-1823	FLANGED TWISTLOCK INLET - 125V/20A	2 on 115V
4	15	153-1826	FLANGED TWISTLOCK INLET - 250V/20A	2 on 230V
		<i>ATTACHING PARTS</i>		
		153-2002	FLAT WASHER - #8	3
		153-2019	LOCKNUT - 8-32 (NYLOK)	3
		153-2086	MS PHILLIPS - 8-32 X 5/8	3
4	16	154-8683	POLYETHYLENE RECOVERY TANK ASSEMBLY (2002)	1
		<i>ATTACHING PARTS</i>		
		153-2406	HOSE CLAMP (1-1/2")	1
		153-8827	1-1/4 PVC ELBOW FOR RECOVERY TANK INLET (NO THREADS)	1
		154-0260	FLEXIBLE HOSE STOCK FOR VACUUM (1-1/2" ID)	28"
4	17	154-6629	SIDE LIFT HANDLE MOUNT	2
		<i>FOR ATTACHING PARTS SEE FIG. 3:7</i>		
4	18	153-8403	COIL-BRAKE MOTOR ASSEMBLY (7 RPM-115 VOLT)	1 on 115V
4	18	153-8803H	COIL-BRAKE MOTOR ASSEMBLY (7 RPM-230V 50 Hz)	1 on 230V
		<i>FOR ATTACHING PARTS SEE FIG. 3:6</i>		
4	19	154-8801	SQUEEGEE ADJUSTMENT ARM - LEFT	1
		<i>ATTACHING PARTS</i>		
		153-2004	FLAT WASHER - 1/4	2
		153-2014	LOCK WASHER - 1/4	2
		153-2023	HEX NUT - 1/4-20	2
		153-2079	FHMS - 1/4-20 X 1	2
4	20	153-6412	DUSTER MOTOR SHIELD (7 RPM)	2
		<i>FOR ATTACHING PARTS SEE FIG. 3:2</i>		
4	21	154-6628	CASTER/HANDLE MOUNT ANGLE	2
		<i>FOR ATTACHING PARTS SEE FIG. 3:4</i>		
4	22	154-6627	SIDE LIFT HANDLE	2
		<i>FOR ATTACHING PARTS SEE FIG. 3:3</i>		
4	23	154-6717	5-TOOTH SENSOR DISK - ALUMINUM (3/8 BORE)	1
		<i>ATTACHING PARTS</i>		
		153-2201	SET SCREW - 10-32 X 3/8	1
4	24	154-1220	INDUCTIVE PROXIMITY SENSOR (TL-Q5MC1)	1
		<i>ATTACHING PARTS</i>		
		153-2231	LOCK NUT - 4-40 NYLOCK	2
		153-2505	MS PHILLIPS - 4-40 X 1	2
4	25	154-6715	TACHOMETER SENSOR GUARD	2
		<i>ATTACHING PARTS</i>		
		153-2013	#10 LOCKWASHER	1
		153-2086A	8-32 X 3/8 MS PHILLIPS	1
4	26	154-8616A	BUFFER MOTOR ASSEMBLY (AC) 115v	1 on 115V
4	26	154-8616E	BUFFER MOTOR ASSEMBLY (AC) 230V	1 on 230V
		<i>FOR ATTACHING PARTS SEE FIG. 1:1</i>		
4	27	153-9013	BUFFER MOTOR PULLEY (10L050-1/2") 60Hz	1
4	27	154-9613	BUFFER MOTOR PULLEY (12L050-5/8") 50Hz	1
4	28	154-9615	T-BELT 255L050 (BUFFER MOTOR)	1

FIGURE NUMBER	INDEX NUMBER	PART NUMBER	PART NAME & DESCRIPTION	QUANTITY NEEDED
4	29	154-6679	BUFFER/HEAD DRIVE GUARD	1
		ATTACHING PARTS		
		153-2002	FLAT WASHER - #8	1
		153-2003	FLAT WASHER - #10	3
		153-2019	LOCKNUT - 8-32 (NYLOK)	1
		153-2086	MS PHILLIPS - 8-32 X 5/8	1
		153-2086A	MS PHILLIPS - 8-32 X 3/8	2
		153-2113	MS PHILLIPS - 8-32 X 3/8 (SELF TAP)	1
4	30	154-8839	BUFFER IDLER ASSEMBLY	1
		ATTACHING PARTS		
		153-2739	SHOULDER BOLT - 3/8 X 1 (5/16 THREAD)	2
		154-6841	BELT IDER MOUNT BAR	1
4	31	153-9014	BUFFER PULLEY (24LO50-3/4")	1
		ATTACHING PARTS		
		153-2707	SHCS - 5/16-24 X 3/4	1
		153-2711	FENDER WASHER - 5/16	1
4	32	154-9205D	PULLEY (24XL 3/8" BORE W/DBL SET)	1 on 60Hz
4	32	154-9205B	PULLEY - HEAD DRIVE MOTOR (28XL 3/8") 50 Hz	1 on 50Hz
4	33	153-1408	PUSH BUTTON (RED = NORMALLY OPEN)	1
		ATTACHING PARTS		
		153-1209	BUTTON GUARD	1
4	34	154-6841	BUFFER IDLER MOUNT BAR	1
		ATTACHING PARTS		
		153-2805	FHSS - 3/8 X 1-1/4	1
4	35	154-6357	LATCH FOR SPLASH GUARD	1
		ATTACHING PARTS		
		153-2003	FLAT WASHER - #10	1
		153-2207	MS PHILLIPS - 10-24 X 1-1/4	1
		153-2208	LOCKNUT - 10-24 (NYLOK)	1
		153-2510	NYLON WASHER - 1/4 (0.060)	2
4	36	154-6356	MOUNT BLOCK FOR LATCH	1
		ATTACHING PARTS		
		153-2003	FLAT WASHER - #10	2
		153-2013	LOCK WASHER - #10	2
		153-2091	MS PHILLIPS - 10-32 X 3/4	2
5	1	153-1028	PANEL-MOUNT FUSE HOLDER - UL (COMPLETE)	8 on 115V
5	1	153-1028E	PANEL-MOUNT FUSE HOLDER - IEC (COMPLETE)	8 on 230V
5	2	154-1273	FUSE (10A MDL)	1 on 115V
5	2	153-1810	CIRCUIT BREAKER - SPST (8 AMP)	1 on 230V
5	3	154-1262	FUSE - TIME DELAY (0.75A MDL) UL	2 on 115V
5	3	154-1260E	FUSE - TIME DELAY (GDC-315mA) IEC	2 on 230V
5	4	154-1268C	FUSE - TIME DELAY (4A ABC) UL - CERAMIC	2 on 115V
5	4	154-1267E	FUSE - TIME DELAY (GDA-4A) IEC - CERAMIC	2 on 230V
5	5	154-1261	FUSE - TIME DELAY (.5A MDL) UL	2 on 115V
5	5	154-1261E	FUSE - TIME DELAY (GDC-500MA) IEC	2 on 230V
5	6	154-1268	FUSE - TIME DELAY (4A MDL) UL	1 on 115V
5	6	154-1268E	FUSE - TIME DELAY (GDC-4A) IEC	1 on 230V
5	7	154-1610	CIRCUIT BREAKER - DPST (15A)	1 on 115V
5	7	154-1272	CIRCUIT BREAKER - DPST (10A)	1 on 230V
5	8	154-0808	TOGGLE SWITCH STICKER	1

FIGURE NUMBER	INDEX NUMBER	PART NUMBER	PART NAME & DESCRIPTION	QUANTITY NEEDED
5	9	153-1009	TOGGLE SWITCH (DPDT)	1
5	10	153-1209	BUTTON GUARD	1
5	11	153-1809C	DIN RAIL (8-1/4")	1
		<i>ATTACHING PARTS</i>		
		153-2034	ALUMINUM RIVET - 0.187 X 0.450 X 0.375	2
		153-2035	BLIND RIVET WASHER - 3/16	2
5	12	153-1004	BUFFER MOTOR CONTACTOR (115 VOLT)	1 on 115V
5	12	153-1604	BUFFER MOTOR CONTACTOR (230 VOLT)	1 on 230V
5	13	154-1801	MICROPROCESSOR - CPM2A	1
5	14	153-1809B	DIN RAIL (9-7/8")	1
5	15	153-1407	LY4 RELAY BASE	1 on 115V
		<i>ATTACHING PARTS</i>		
		153-2019	LOCKNUT - 8-32 (NYLOK)	2
		153-2507	FHMS PHILLIPS - 8-32 x 3/4	2
5	16	153-1406	LY4 RELAY (115V)	1
5	16	154-1611	LY4 RELAY (230V)	1
		<i>ATTACHING PARTS</i>		
		153-1020	RELAY CLAMPS	1 PR
5	17	153-1018	LY3 RELAY (115V)	1
5	17	153-1618	LY3 RELAY (230V)	1
		<i>ATTACHING PARTS</i>		
		153-1020	RELAY CLAMPS	1 PR
5	18	153-1019	LY3 RELAY BASE	1
		<i>ATTACHING PARTS</i>		
		153-2019	LOCKNUT - 8-32 (NYLOK)	2
		153-2507	FHMS PHILLIPS - 8-32 x 3/4	2
5	19	153-1016	LY2 RELAY (115V)	1
5	19	153-1616	LY2 RELAY (230V)	1
		<i>ATTACHING PARTS</i>		
		153-1020	RELAY CLAMPS	1 PR
5	20	154-1835	RELAY ASSEMBLY - COMPLETE (W/RELAY)	5
5	21	154-1830	RELAY BASE SEPARATOR PLATE	2
5	22	15-1016D	LY2 RELAY - (24V DC)	3
		<i>ATTACHING PARTS</i>		
		153-1020	RELAY CLAMPS	1 PR
5	23	153-1020	RELAY CLAMPS	6 PR
5	24	153-1017	LY2 RELAY BASE	8
		<i>ATTACHING PARTS</i>		
		153-2019	LOCKNUT - 8-32 (NYLOK)	2
		153-2507	FHMS PHILLIPS - 8-32 x 3/4	2
5	25	154-0807P	FUSE PANEL STICKER	1
5	26	154-8810	CIRCUIT BOARD ASSEMBLY (115V)	1
5	26	154-8811	CIRCUIT BOARD ASSEMBLY (230V)	1
		<i>ATTACHING PARTS</i>		
5	27	154-6861-2915	PC/RELAY MOUNT PLATE	1
6	1	154-9211	LDS AND TACH SENSOR DRIVE CHAIN (25P29)	1
		<i>ATTACHING PARTS</i>		
		153-9045	25 MASTER LINK	1
6	2	154-9213	SPROCKET - 25B15 (TACH AND LDS DRIVE 1/2" BORE)	1



FIGURE NUMBER	INDEX NUMBER	PART NUMBER	PART NAME & DESCRIPTION	QUANTITY NEEDED
6	3	153-9010	SPROCKET - 25B15 (TRANSFER DRIVE & LDS - 3/8")	1
6	4	154-8320	PILLOWBLOCK - LANE DISTANCE SHAFT (CENTER-PLAIN	1
		ATTACHING PARTS		
		153-2005	FLAT WASHER - 5/16	2
		153-2015	LOCK WASHER - 5/16	2
		153-2602	HHCS - 5/16-18 X 3/4	2
6	5	154-1220	INDUCTIVE PROXIMITY SENSOR (TL-Q5MC1)	2
		ATTACHING PARTS		
		153-2216A	MS PHILLIPS - 4-40 X 7/8	2
6	6	154-6264	SHAFT FOR TIMING DISK (REMOTE SENSOR	1
6	7	154-6717	5-TOOTH SENSOR DISK - ALUMINUM (3/8 BORE)	1
		ATTACHING PARTS		
		153-2201	SET SCREW - 10-32 X 3/8	1
7	1	153-1012	DC MOTOR SPEED CONTROL (KBIC-120) W/ RESISTOR	1 on 115V
7	1	153-1812	DC MOTOR SPEED CONTROL (KBIC-240) W/ RESISTOR	1 on 230V
		ATTACHING PARTS		
		153-2019	LOCKNUT - 8-32 (NYLOK)	2
		153-2507	FHMS PHILLIPS - 8-32 X 3/4	2
7	2	153-1015	HORSEPOWER RESISTOR (1/4 HP 0.5 OHM)	1
7	3	154-8865	BALDOR DC DRIVE MOTOR ASSEMBLY	1
		ATTACHING PARTS		
		153-2004	FLAT WASHER - 1/4	4
		153-2014	LOCK WASHER - 1/4	4
		153-2052	HHCS - 1/4-20 X 7/8	4
7	4	153-9814	DRIVE CHAIN - (40P33)	1
		ATTACHING PARTS		
		153-9047	#40 MASTER LINK	1
7	5	153-9002	SPROCKET - 40B13 (5/8")	1
8	1	154-6722	CLEANER SUPPLY TANK (NO FITTINGS)	1
8	1	154-8680	CLEANER SUPPLY TANK (WITH FITTINGS)	1
		ATTACHING PARTS		
		153-2004	FLAT WASHER - 1/4	2
		153-2014	LOCK WASHER - 1/4	2
		153-2052	HHCS - 1/4-20 X 7/8	2
8	2	154-0832	GARDEN HOSE FITTING CAP W/ GASKET	1
8	3	154-0223	ELBOW (90 DEGREE) - 1/4 NPT x 1/4" TUBE	6
8	4	154-8817	MANUAL VENT VALVE ASSEMBLY	1
8	5	154-0202B	PENCIL TUBING STOCK (BEV-A-LINE #V) 3/16" OD x 1/16" IC	TBD
8	6	154-0248	REDUCING UNION CONNECTOR - 1/4" X 3/16"	2
		ATTACHING PARTS		
8		154-0202A	PENCIL TUBING STOCK (BEV-A-LINE #V) 1/4" OD x 1/8" IC	2"
8	7	154-0243	ELBOW (90 DEGREE) - 1/4 TUBE x 1/4" TUBE	2
8	8	154-0412	ELBOW - 3/8 NPT X 1/4 TUBE	2
8	9	153-8206F	WATER SPRAY PUMP ASSEMBLY - FLOJET 115 VOL1	1 on 115V
	9	153-8206H	WATER SPRAY PUMP ASSEMBLY - FLOJET 230 VOL1	1 on 230V
		ATTACHING PARTS		
		153-2003	FLAT WASHER - #10	8
		153-2004	FLAT WASHER - 1/4	4
		153-2207	MS PHILLIPS - 10-24 X 1-1/4	4
8		153-2208	LOCKNUT - 10-24 (NYLOK)	4
8	10	154-0803	ELBOW - 38 NPT X 3/8" TUBE	1



FIGURE NUMBER	INDEX NUMBER	PART NUMBER	PART NAME & DESCRIPTION	QUANTITY NEEDED
8	11	154-0202	PUMP TUBING STOCK (3/8" OD X 1/4" ID)	INCH
8	12	154-0225	ELBOW - 3/8 TUBE OD X 1/4 NPT	1
8	13	153-0208S	CLEANER HOSE STOCK - 1/4" OD	TBD
	14	153-6251S	SPRAY JET SWIVEL MOUNTING ANGLE	4
		ATTACHING PARTS		
		153-2004	FLAT WASHER - 1/4	2
		153-2014	LOCK WASHER - 1/4	1
		153-2023	HEX NUT - 1/4-20	1
8		153-2052	HHCS - 1/4-20 X 7/8	1
	15	153-6251M	SPRAY JET WALL MOUNTING ANGLE	4
		ATTACHING PARTS		
		153-2004	FLAT WASHER - 1/4	4
		153-2014	LOCK WASHER - 1/4	2
		153-2023	HEX NUT - 1/4-20	2
8		153-2052	HHCS - 1/4-20 X 7/8	2
8	16	153-0207	SPRAY TIP - STAINLESS STEEL (8003)	2
	17	153-6252	SPRAY JET BODY	4
		ATTACHING PARTS		
		153-2005	FLAT WASHER - 5/16	1
		153-2015	LOCK WASHER - 5/16	1
8		153-2602	HHCS - 5/16-18 X 3/4	1
	18	153-0818	MALE SWIVEL ELBOW - 1/4 TUBE-1/4 NPT	4
		ATTACHING PARTS		
8		153-0208E	SPRAY PUMP HOSE - 1-9/16" (3-JET)	1
8	19	154-0007	SPRAY TIP - STAINLESS STEEL (1501)	2
8	20	153-0218	TIP RETAINER CAP CONNECTOR	4
8	21	153-0220	SCREEN CHECK VALVE (POLYPROPYLENE - 10#)	4
8	22	153-0217	MALE BODY (1/4 - NYLON)	4
8	23	154-0222	ELBOW - 1/4" STEM X 1/4" TUBING OD	1
8	24	154-0212B	TANK FILTER (5" SS) FOR OIL TANK	1
8	25	154-1617	FLOAT - HORIZONTAL MOUNT FOR FLUID LEVEL	1
8	26	154-0256	ELBOW - 3/8 TUBE X 3/8 TUBE	1
8	27	153-0815	UNION TEE (1/4 X 1/4 X 1/4 - QUICK DISCONNECT)	4
8	28	154-0258	ELBOW - 3/8 STEM X 3/8 TUBE	1
9	1	154-0258	ELBOW - 3/8 STEM X 3/8 TUBE	1
9	2	154-0225	ELBOW - 3/8 TUBE OD X 1/4 NPT	1
9	3	154-0212	TANK FILTER (5" SS) FOR OIL TANK	1
9	4	154-6726	CONDITIONER TANK (NO FITTINGS)	1
9	4	154-8842	CONDITIONER TANK (COMPLETE)	1
		ATTACHING PARTS		
		153-2004	FLAT WASHER - 1/4	2
		153-2014	LOCK WASHER - 1/4	2
		153-2603	HHCS - 1/4-20 X 3/4	2

FIGURE NUMBER	INDEX NUMBER	PART NUMBER	PART NAME & DESCRIPTION	QUANTITY NEEDED
9	5	154-0832	GARDEN HOSE FITTING CAP W/ GASKEI	1
9	6	154-0223	ELBOW (90 DEGREE) - 1/4 NPT X 1/4 TUBE	2
9	7	154-8817	MANUAL VENT VALVE ASSEMBLY	1
9	8	154-0224	MALE CONNECTOR - 1/4" TUBE x 1/8 NPT	1
		ATTACHING PARTS		
		154-0226	ELBOW - TUBE TO HOSE BARB (1/4" STEM x 1/4 ID HOSE)	1
9	9	154-1209	VALVE-24V DC 3-WAY (1/8" NPT)	1
		ATTACHING PARTS		
		153-2523	FHMS PHILLIPS - 4-40 X 3/8	2
9	10	154-0609	MAGNETIC CATCH FOR SPLASH GUARD	2
9	11	154-0202B	PENCIL TUBING STOCK-3/16" OD X 1/16" ID	INCH
9	12	154-0248	REDUCING UNION CONNECTOR-1/4" X 3/16"	1
9	13	154-1225	PRESSURE GAUGE (0-30 PSI) - 1-1/2 DIA	1
		USE TEFLON TAPE		
		ATTACHING PARTS		
		154-0257	FEMALE CONNECTOR - 1/4" TUBE x 1/8 FPT	1
9	14	154-6257	MOUNTING ANGLE FOR OIL PRESSURE GAUGE	1
		ATTACHING PARTS		
		153-2004	FLAT WASHER - 1/4	2
		153-2014	LOCK WASHER - 1/4	2
		153-2023	HEX NUT - 1/4-20	2
		153-2079	FHMS - 1/4-20 X 1	2
9	15	153-0815	UNION TEE (1/4 X 1/4 X 1/4 - QUICK DISCONNECT)	1
9	16	154-8660	PULSE SUPPRESSER KIT - PUMP TO METERING VALVE	1
9	17	154-0238	SWIVEL ELBOW - 1/4" TUBE X 1/8 NPT	1
9	18	154-9208	PULLEY - METERING PUMP (12XL-5/16)	1
9	19	154-1214	FLUID METERING PUMP - 0.05 ml/STROKE	1
		ATTACHING PARTS		
		153-2013	LOCK WASHER - #10	2
		153-2086	MS PHILLIPS - 8-32 X 5/8	2
9	20	154-6223A	MOUNTING ANGLE - PUMP & MOTOR	1
		ATTACHING PARTS		
		153-2602	HHCS - 5/16-18 X 3/4	2
9	21	154-9202A	BELT FOR METERING PUMP (130XL037) 115V	1 on 115V
9	21	154-9215	BELT FOR METERING PUMP (140XL037) 230V	1 on 230V
9	22	154-6287	GUARD FOR PUMP & MOTOR	1
		ATTACHING PARTS		
		153-2013	LOCK WASHER - #10	2
		153-2086A	MS PHILLIPS - 8-32 X 3/8	2
9	23	154-8604	MOTOR FOR METERING PUMP 115V (#4)	1 on 115V
		154-8604E	MOTOR FOR METERING PUMP 230V	1 on 230V
		ATTACHING PARTS		
		153-2013	LOCK WASHER - #10	4
		153-2091	MS PHILLIPS - 10-32 X 3/4	4
9	24	154-9607	PULLEY (24XL 5/16" BORE W/SET) 60Hz	1
9	24	154-9614	PULLEY (30XL 5/16" BORE W/SET) 50Hz	1
		ATTACHING PARTS		
		153-2051A	SET SCREW - 1/4-20 X 1/4	1
9	25	154-0256	ELBOW - 3/8 TUBE OD x 3/8 TUBE	1

FIGURE NUMBER	INDEX NUMBER	PART NUMBER	PART NAME & DESCRIPTION	QUANTITY NEEDED
9	26	154-0218	GROMMET - 7/16 X 11/16 (1/4" PANEL)	1
9	27	154-0202	PUMP TUBING STOCK - (3/8 OD X 1/4 ID)	6"
9	28	154-1617	FLOAT FOR PLASTIC TANK	1
10	1	154-6862	BRUSH TRACK MOUNT - KUSTODIAN PLUS	1
		ATTACHING PARTS		
		153-2004	FLAT WASHER - 1/4	4
		153-2014	LOCK WASHER - 1/4	4
		153-2052	HHCS - 1/4-20 X 7/8	4
10	2	154-6872	HEAD DRIVE MOUNT BAR	1
10	3	154-1220	INDUCTIVE PROXIMITY SENSOR (TL-Q5MC1)	2
		ATTACHING PARTS		
		153-2216A	MS PHILLIPS - 4-40 X 7/8	2
10	4	154-6647A	SLIDING HEAD BAR	1
10	5	154-6646	HEAD BELT MOUNT PLATE	1
		ATTACHING PARTS		
		153-2081	MS PHILLIPS - 6-32 X 1/2	4
		153-2504	MS PHILLIPS - 4-40 X 3/8	1
10	6	154-0866	STRIP BRUSH ASSEMBLY	1
10	7	154-6893	OIL HEAD - ADJUSTABLE TIP ANGLE	1
		ATTACHING PARTS		
		153-2079	FHMS - 1/4-20 X 1	3
10	8	153-2051	SET SCREW - 1/4-20 x 1/2	1
10	9	153-2804	COLLAR - 3/8 x 3/4 x 3/8	1
10	10	153-2713	SPRING - OIL TIP RETAINER	1
10	11	154-6832	OIL PENCIL TIP - ALUMINUM	1
10	12	153-2022	HEX NUT - 10-24	1
10	13	153-2828	MS PHILLIPS - 10-24 x 2-1/2	1
10	14	154-6887	OIL HOSE AND TIP HOLDER	1
		ATTACHING PARTS		
		153-2005	FLAT WASHER - 5/16	2
		153-2015	LOCK WASHER - 5/16	2
		153-2061	HHCS - 5/16-18 X 1	2
11	1	154-8607	SQUEEGEE & DUSTER SWITCH GUARD(WITH FELT FOR ATTACHING PARTS SEE FIG. 3:9	1
11	2	153-2530	STANDOFF FASTENER-8-32 X 1 (M/F)	3
		ATTACHING PARTS		
		153-2013	LOCK WASHER - #10	1
		153-2086	MS PHILLIPS - 8-32 X 5/8	1
11	3	153-2532	STANDOFF FASTENER - 8-32 X 1 (FEM/FEM)	3
		ATTACHING PARTS		
		153-2013	LOCK WASHER - #10	1
		153-2086	MS PHILLIPS - 8-32 X 5/8	1
11	4	154-1015	MICROSWITCH WITH ROLLER	2
		ATTACHING PARTS		
		153-2001	FLAT WASHER - #6	4
		153-2018	LOCKNUT - 6-32 (NYLOK)	2
		153-2084	MS PHILLIPS - 6-32 X 1	2

FIGURE NUMBER	INDEX NUMBER	PART NUMBER	PART NAME & DESCRIPTION	QUANTITY NEEDED
11	5	153-8207	BRAKE MOTOR ASSY. (25 RPM-115 V)	1 on 115V
11	5	153-8807H	BRAKE MOTOR ASSEMBLY (25 RPM-230V 50 Hz)	1 on 230V
		ATTACHING PARTS		
		153-2604	MS FLAT PHILLIPS - 10-32 X 1/2	4
11	6	154-6670	SQUEEGEE CAM	1
		ATTACHING PARTS		
		153-2051	SET SCREW - 1/4-20 X 1/2	1
11	7	154-8646	5/16-24 X 3 ALLTHREAD (SQUEEGEE PIVOT)	1
		ATTACHING PARTS		
		153-0211	SQUEEGEE ROD END WITH FITTING	2
		153-2027A	JAM NUT - 5/16-18	2
11	8	153-0211	SQUEEGEE ROD END WITH FITTING	2
		ATTACHING PARTS		
		153-2027A	JAM NUT - 5/16-18	2
		154-8646	5/16-24 X 3 ALLTHREAD (SQUEEGEE PIVOT)	1
11	9	153-2214	JAM NUT - 5/16-24	2
		ATTACHING PARTS		
		154-8646	5/16-24 X 3 ALLTHREAD (SQUEEGEE PIVOT)	1
		153-0211	SQUEEGEE ROD END WITH FITTING	1
11	10	153-0211	SQUEEGEE ROD END WITH FITTING	2
		ATTACHING PARTS		
		153-2027A	JAM NUT - 5/16-18	2
		154-8646	5/16-24 X 3 ALLTHREAD (SQUEEGEE PIVOT)	1
12	1	153-0047K	KEGEL KLOTH - (TAN - SOLD CASE)	CASE
	1	153-0047P	K2 DUSTER CLOTH - (WHITE - SOLD BY CASE)	CASE
12	2	153-6850	UHMW DUSTER PLUG FOR CARDBOARD CORE	1
		ATTACHING PARTS		
		153-2005	FLAT WASHER - 5/16	1
		153-2020A	LOCKNUT - 1/4-20 (STOVER)	1
		153-2535	SHOULDER BOLT - 5/16 X 2-1/4 (1/4-20) DUSTER PLUG	1
		153-2808	SPRING - 0.42 OD X 1.25 (DUSTER PLUG)	1
12	3	153-6825	DUSTER CLOTH ROUTING BAR (SS)	1
		ATTACHING PARTS		
		153-2409	SHOULDER BOLT - 1/4 X 3/8 (10-24) DUSTER ROD	2
		153-9409	FLANGED BUSHING (1/4 X 3/8 X 1/4)	2
12	4	153-8420	CUSHION ROLLER PIVOT ARM ASSEMBLY	2
		ATTACHING PARTS		
		153-2005	FLAT WASHER - 5/16	1
		153-2020A	LOCKNUT 1/4-20 STOVER	1
		153-2408	SHOULDER BOLT - 5/16 X 1/2 1/4-20 THREADS	1
12	5	154-1603	MICROSWITCH - WITHOUT ROLLER (LARGE)	2
12	6	153-8202B	DUSTER SOLID DRIVE HUB (PVC - 1/4-28)	1
12	7	153-8824	PVC TAKE-UP REEL ASSEMBLY (1/4-28)	1
12	8	153-2808	SPRING - 0.42 OD x 1.25 (DUSTER PLUG)	1
12	9	153-8201B	DUSTER DRIVE HUB ASSEMBLY (1/4-28)	1
		ATTACHING PARTS		
		153-2050	SET SCREW - 1/4-28 X 3/8	1
12	10	153-6853	UHMW DUSTER PLUG FOR PVC TAKE-UP REEL	1
12	11	153-8838	CUSHION ROLLER WITH STEMS (STEEL - 44-3/8)	1
13	1	153-1203	MICROSWITCH - WITH ROLLER (SQUEEGEE & BRUSH)	2
		ATTACHING PARTS		
		153-2505	MS PHILLIPS - 4-40 X 1	2

FIGURE NUMBER	INDEX NUMBER	PART NUMBER	PART NAME & DESCRIPTION	QUANTITY NEEDED
13	2	154-6824	BRUSH CAM SWITCH PLATE	1
		<i>ATTACHING PARTS</i>		
		153-2002	FLAT WASHER - #8	4
		153-2019	LOCKNUT - 8-32 (NYLOK)	2
		153-2086	MS PHILLIPS - 8-32 X 5/8	2
13	3	153-8207	BRAKE MOTOR ASSEMBLY (25 RPM-115 VOLT	1
13	3	153-8807H	BRAKE MOTOR ASSEMBLY (25 RPM-230V 50 Hz)	1
		<i>FOR ATTACHING PARTS SEE FIG. 3:1C</i>		
13	4	154-8640	FLANGED BEARING-STD BRUSH (3/4" ROTATED	2
		<i>FOR ATTACHING PARTS SEE FIG. 2:1E</i>		
13	5	154-8638	BUFFER BRUSH LIFTING LINK - LEFT	1
		154-8639	BUFFER BRUSH LIFTING LINK - RIGHT	1
		<i>ATTACHING PARTS</i>		
		153-2027A	JAM NUT - 5/16-18	2
		153-2801	SHOULDER BOLT - 3/8 X 3/8 (5/16-18) BRUSH LIFT	2
13	6	154-8837	CAM TO BRUSH LIFTING ROD LINK ASSEMBLY	1
		<i>ATTACHING PARTS</i>		
		153-2027A	JAM NUT - 5/16-18	1
		153-2801	SHOULDER BOLT - 3/8 X 3/8 (5/16-18) BRUSH LIFT	2
13	7	154-8637	BUFFER BRUSH LIFTING ASSEMBLY	1
		<i>ATTACHING PARTS</i>		
		153-2804	COLLAR - 3/8 X 3/4 X 3/8	2
13	8	154-6243	MOTOR CAM - DUAL LOBES (FOR STACKED SWITCHES	1
		<i>ATTACHING PARTS</i>		
		153-2051	SET SCREW - 1/4-20 X 1/2	1
13	9	153-2027A	JAM NUT - 5/16-18	3
		<i>ATTACHING PARTS</i>		
		153-2801	SHOULDER BOLT - 3/8 X 3/8 (5/16-18) BRUSH LIFT	1
13	10	153-2801	SHOULDER BOLT - 3/8 X 3/8 (5/16-18) BRUSH LIFT	1
		<i>ATTACHING PARTS</i>		
		153-2027A	JAM NUT - 5/16-18	1
13	11	153-2801A	SHOULDER BOLT-3/8 X 3/8-CUT (5/16-18)	2



## KUSTODIAN PARTS LIST 05:04

PART NUMBER	PART DESCRIPTION	UOM
153-0001	TRANSPORT CASTER (3" DUAL WHEEL)	EACH
153-0013A	SHIPPING SKID (42 x 68)	EACH
153-0030S	STOCK - 5/16" ID CLEAR PVC TUBING	INCH
153-0036	LID VIBRATION STRIP (SOLD BY INCH)	INCH
153-0037	DECAL (MADE IN USA)	EACH
153-0043	THICK FELT WASHER - 5/8	EACH
153-0046	STOCK - SQUARE GROMMET	INCH
153-0047P	K2 - DUSTER CLOTH WHITE (CASE 4)	CASE
153-0082	DUSTER ROLL 3/4 INCH SUPPORT PIPE	EACH
153-0202	COMPLETE SQUEEGEE ASSEMBLY (BLUE)	EACH
153-0202B	REPLACEMENT SQUEEGEE BLADE - BLUE STOCK (42")	EACH
153-0204B	VACUUM MOTOR BRUSHES - 115 VOLT (SOLD AS PAIR)	PAIR
153-0204C	VACUUM MOTOR BRUSHES - 230 VOLT (SOLD AS PAIR)	PAIR
153-0204F	FAN BLADE FOR VACUUM MOTOR (REPLACEMENT ONLY)	EACH
153-0204H	HOUSING FOR VACUUM MOTOR (REPLACEMENT ONLY)	EACH
153-0207	SPRAY TIP - STAINLESS STEEL (8003)	EACH
153-0208S	SPRAY HOSE STOCK - 1/4" OD	INCH
153-0211	SQUEEGEE ROD END WITH FITTING (ON MOTOR)	EACH
153-0217	MALE BODY (1/4 - NYLON)	EACH
153-0218	TIP RETAINER CAP CONNECTOR	EACH
153-0220	SCREEN CHECK VALVE (POLYPROPYLENE - 10#)	EACH
153-0242	REDUCER (1/4 - FPT X 3/8 - MPT) PVC	EACH
153-0252	SUPPLY TANK FUNNEL	EACH
153-0802	DUSTER ROUTING DIAGRAM	EACH
153-0810	SHIPPING BOX (42.25 X 17 X 62)	EACH
153-0812	TRANSPORT CASTER-2" HEAVY DUTY (3/8")	EACH
153-0815	UNION TEE (1/4 X 1/4 X 1/4-QUICK DISC)	EACH
153-1004	BUFFER MOTOR CONTACTOR 115V	EACH
153-1009	TOGGLE SWITCH (DPDT)	EACH
153-1011	BRAKE RESISTOR (10 OHM)	EACH
153-1012	DC MOTOR SPEED CONTROL (KBIC-120) W/ RESISTOR	EACH
153-1012F	FILTER FOR SPEED CONTROL	EACH
153-1015	HORSEPOWER RESISTOR (1/4 HP 0.05 OHM)	EACH
153-1016	LY2 RELAY (115 VOLT)	EACH
153-1016D	LY2 RELAY (24 VOLT)	EACH
153-1017	LY2 RELAY BASE	EACH
153-1018	LY3 RELAY (115 VOLT)	EACH
153-1019	LY3 RELAY BASE	EACH
153-1020	RELAY CLAMPS (PER PAIR)	EACH
153-1025	MALE PLUG - 125V/15A	EACH
153-1028	PANEL-MOUNT FUSE HOLDER - UL (COMPLETE)	EACH
153-1028E	PANEL-MOUNT FUSE HOLDER - IEC (COMPLETE)	EACH
153-1034	FEMALE QUICK DISCONNECT-3/16 (18 AWG)	EACH
153-1034A	FEMALE QUICK DISCONNECT-3/16 (14 AWG)	EACH
153-1035	FEMALE QUICK DISCONNECT-1/4 (18 AWG)	EACH
153-1035A	FEMALE QUICK DISCONNECT-1/4 (14 AWG)	EACH
153-1036	RING TERMINAL - 16-14 AWG (#6 STUD)	EACH
153-1036A	RING TERMINAL - 22-18 AWG (#6 STUD)	EACH
153-1036B	RING TERMINAL - 16-14 AWG (#8 STUD)	EACH
153-1037	WIRE JOINT (LARGE)	EACH

## KUSTODIAN PARTS LIST 05:04

PART NUMBER	PART DESCRIPTION	UOM
153-1038	WIRE JOINT - 22-18 AWG (SMALL)	EACH
153-1041	CONNECTOR 2 CIRCUIT FREE RECEPTACLE	EACH
153-1042	CONNECTOR 2 CIRCUIT FREE PLUG (MALE PIN)	EACH
153-1043	CONNECTOR 3 CIRCUIT PANEL PLUG-MALE PINS	EACH
153-1044	CONNECTOR 3 CIRCUIT FREE RECEPTACLE	EACH
153-1045	FEMALE TERMINAL (0.093 DIA 14-20 AWG)	EACH
153-1046	MALE TERMINAL (0.093 DIA 14-20 AWG)	EACH
153-1047	WIRE TIE (4")	EACH
153-1049A	WIRE HARNESS CLAMP - 1/4	EACH
153-1049B	WIRE HARNESS CLAMP - 1/2	EACH
153-1049C	WIRE HARNESS CLAMP - 3/4	EACH
153-1049D	WIRE HARNESS CLAMP - 1/8	EACH
153-1049E	WIRE HARNESS CLAMP - 3/8	EACH
153-1050	STOCK - HEAT SHRINK TUBING (1/4)	INCH
153-1050A	STOCK - HEAT SHRINK TUBING (3/16)	INCH
153-1050B	STOCK - HEAT SHRINK TUBING (1/8)	INCH
153-1054	PLUG - 3/8" OIL VENT HOSE (GRAY PLASTIC)	EACH
153-1055	TUBE HOSE STEM (GRAY PLASTIC 3/8 x 3/8)	EACH
153-1203	MICROSWITCH-WITH ROLLER (SQUEEGEE/BRUSH)	EACH
153-1205	RT ANGLE FEMALE QUICK DISC-1/4 (12-10)	EACH
153-1206	RT ANGLE FEMALE QUICK DISC-1/4 (16-14)	EACH
153-1207	RT ANGLE FEMALE QUICK DISC-1/4 (22-18)	EACH
153-1209	BUTTON GUARD	EACH
153-1356	STOCK WIRE-3 COND GRAY JACKET (RD/BK/WT)	FOOT
153-1404	SILICON RECTIFIER DIODE (FOR PC)	EACH
153-1406	LY4 RELAY (115 VOLT)	EACH
153-1407	LY4 RELAY BASE	EACH
153-1408	PUSH BUTTON (RED = NORMALLY OPEN)	EACH
153-1604	BUFFER MOTOR CONTACTOR (230 VOLT)	EACH
153-1616	LY2 RELAY (230 VOLT)	EACH
153-1618	LY3 RELAY (230 VOLT)	EACH
153-1625	MALE PLUG - 250V/15A	EACH
153-1809F	DIN RAIL (8-1/4")	EACH
153-1810	CIRCUIT BREAKER - SPST 8A	EACH
153-1812	DC MOTOR SPEED CONTROL (KBIC-240)W/ RESISTOR	EACH
153-1813A	STOCK-POWER CORD (12 AWG 3 COND-IEC)	FOOT
153-1818	WIRE TIE - 34" (C200H PC)	EACH
153-1822	FEMALE TWISTLOCK - 125V/20A	EACH
153-1823	FLANGED TWISTLOCK INLET - 125V/20A	EACH
153-1824	FEMALE TWISTLOCK - 250V/20A	EACH
153-1825	MALE PLUG 125V/20A	EACH
153-1825R	RECEPTACLE 125V/20A	EACH
153-1826	FLANGED TWISTLOCK INLET - 250V/20A	EACH
153-2001	FLAT WASHER - #6	EACH
153-2002	FLAT WASHER - #8	EACH
153-2003	FLAT WASHER - #10	EACH
153-2004	FLAT WASHER - 1/4	EACH
153-2005	FLAT WASHER - 5/16	EACH
153-2006	FLAT WASHER - 3/8	EACH
153-2007	FLAT WASHER - 1/2	EACH



KUSTODIAN PARTS LIST 05:04

PART NUMBER	PART DESCRIPTION	UOM
153-2009	NYLON FLAT WASHER (3/8 - 0.060)	EACH
153-2013	LOCK WASHER - #10	EACH
153-2014	LOCK WASHER - 1/4	EACH
153-2015	LOCK WASHER - 5/16	EACH
153-2016	LOCK WASHER - 3/8	EACH
153-2017	LOCK WASHER - 1/2	EACH
153-2018	LOCKNUT - 6-32 (NYLOK)	EACH
153-2019	LOCKNUT - 8-32 (NYLOK)	EACH
153-2020	LOCKNUT - 1/4-20 (NYLOK)	EACH
153-2020A	LOCKNUT - 1/4-20 (STOVER)	EACH
153-2021	LOCKNUT - 3/8-16 (NYLOK)	EACH
153-2021A	LOCKNUT - 3/8-16 (STOVER)	EACH
153-2023	HEX NUT - 1/4-20	EACH
153-2024	HEX NUT - 5/16-18	EACH
153-2025	HEX NUT - 3/8-16	EACH
153-2026	HEX NUT - 1/2-13	EACH
153-2027	JAM NUT - 3/8-16	EACH
153-2027A	JAM NUT - 5/16-18	EACH
153-2029	ACORN NUT - 1/4-20	EACH
153-2034	ALUMINUM RIVET (0.187 X 0.450 X 0.375)	EACH
153-2035	BLIND RIVET WASHER - 3/16	EACH
153-2036	SNAP RING - 5/8	EACH
153-2037	ROLL PIN - 1/8 X 1-3/4	EACH
153-2040	SPOOL GROMMET - 5/16 X 1/2 (1/4" PANEL)	EACH
153-2049	SET SCREW - 8-32 X 3/16	EACH
153-2050	SET SCREW - 1/4-28 X 3/8	EACH
153-2051	SET SCREW - 1/4-20 X 1/2	EACH
153-2051A	SET SCREW - 1/4-20 X 1/4	EACH
153-2052	HHCS - 1/4-20 X 7/8	EACH
153-2052A	BHSS - 1/4-20 X 7/8	EACH
153-2053	HHCS - 1/4-20 X 1	EACH
153-2053A	BHSS - 1/4-20 X 1	EACH
153-2054	HHCS - 1/4-20 X 1-1/4	EACH
153-2055	HHCS - 1/4-20 X 1-1/2	EACH
153-2061	HHCS - 5/16-18 X 1	EACH
153-2062	HHCS - 5/16-18 X 1-1/4	EACH
153-2067	HHCS - 3/8-16 X 1-1/4	EACH
153-2068	HHCS - 3/8-16 X 1-1/2	EACH
153-2073A	HHCS - 1/2-13 X 1-1/2	EACH
153-2075	CARRIAGE BOLT - 1/4-20 X 2-1/2	EACH
153-2078	FHMS - 1/4-20 X 3/4	EACH
153-2079	FHMS - 1/4-20 X 1	EACH
153-2081	MS PHILLIPS - 6-32 X 1/2	EACH
153-2085	MS PHILLIPS - 6-32 X 1-1/4	EACH
153-2086	MS PHILLIPS - 8-32 X 5/8	EACH
153-2086A	MS PHILLIPS - 8-32 X 3/8	EACH
153-2087	MS PHILLIPS - 8-32 X 3/4	EACH
153-2090	MS PHILLIPS - 8-32 X 1-1/2	EACH
153-2091	MS PHILLIPS - 10-32 X 3/4	EACH
153-2093	SPRING - 0.42 OD X 0.75 (PROCESSOR)	EACH

## KUSTODIAN PARTS LIST 05:04

PART NUMBER	PART DESCRIPTION	UOM
153-2099A	KEYSTOCK - 3/16 X 3/16 X 12"	INCH
153-2108	DOME RIVET - 1/8 FOR NAMEPLATE	EACH
153-2113	MS PHILLIPS - 8-32 X 3/8 (SELF TAP)	EACH
153-2116	LOCK NUT - 5/16-18	EACH
153-2207	MS PHILLIPS - 10-24 X 1-1/4	EACH
153-2208	LOCKNUT - 10-24 (NYLOK)	EACH
153-2214	JAM NUT - 5/16-24	EACH
153-2216	MS PHILLIPS - 4-40 X 5/8	EACH
153-2219	MS PHILLIPS - 10 X 2 (SELF TAP)	EACH
153-2223N	WING NUT - 1/4-20 (NYLOK)	EACH
153-2231	LOCKNUT - 4-40	EACH
153-2303	SHOULDER BOLT-3/8 X 5/8 (5/16-18)	EACH
153-2304	JAM NUT - 1/4-20	EACH
153-2401	SPRING - 0.54 OD X 0.75 (GUIDE ROLLER)	EACH
153-2402	SPOOL GROMMET - 1/4 X 3/8 (1/4" PANEL)	EACH
153-2405A	3/8-16 X 2-5/8" STEEL STUD	EACH
153-2406	HOSE CLAMP (1/2")	EACH
153-2407	SHOULDER BOLT-3/8 X 1-3/4 (5/16-18)	EACH
153-2408	SHOULDER BOLT-5/16 X 1/2 (1/4-20)	EACH
153-2409	SHOULDER BOLT-1/4 X 3/8 (10-24)	EACH
153-2412	SHCS-1/4-20 X 1/2 (CUSHION ROLLER STOP)	EACH
153-2414	HEX NUT - 8-32	EACH
153-2503	FHSS - 5/16-18 X 1-1/4	EACH
153-2504	MS PHILLIPS - 4-40 X 3/8	EACH
153-2505	MS PHILLIPS - 4-40 X 1	EACH
153-2507	FHMS PHILLIPS - 8-32 X 3/4	EACH
153-2509	CIRCUIT BOARD MOUNT	EACH
153-2510	NYLON WASHER - 1/4 (0.060)	EACH
153-2511	SPRING NUT - 8-32	EACH
153-2512	ACORN NUT - 5/16-18	EACH
153-2517	HOSE CLAMP (5/16") RANGE = 7/32 - 5/8	EACH
153-2521	MS PHILLIPS - #6 X 3/8 (SELF TAP)	EACH
153-2527	SHOULDER BOLT-3/8 X 2-1/4 (5/16-18)	EACH
153-2529	SET SCREW - 8-32 X 3/8	EACH
153-2530	STANDOFF FASTENER-8-32 X 1 (M/F)	EACH
153-2531	NYLON WASHER - 3/8 (0.030)	EACH
153-2532	STANDOFF FASTENER-8-32 X 1 (F/F)	EACH
153-2533	INTERNAL TOOTH LOCK WASHER - #8	EACH
153-2536	FINISHING PLUG - 1/2 BLACK NYLON	EACH
153-2541	MS PHILLIPS - 8-32 X 1/2	EACH
153-2602	HHCS - 5/16-18 X 3/4	EACH
153-2603	HHCS - 1/4-20 X 3/4	EACH
153-2604	MS FLAT PHILLIPS - 10-32 X 1/2	EACH
153-2701	KNURLED HEAD BOLT - 1/4-20 X 2	EACH
153-2702	FHMS - 1/4-20 X 1 SELF-LOCKING	EACH
153-2703	STEEL COLLAR - 1/4 X 3/8	EACH
153-2704	STEEL COLLAR - 5/16 X 3/8	EACH
153-2705	CARRIAGE BOLT - 1/4-20 X 7/8	EACH
153-2706	CARRIAGE BOLT - 1/4-20 X 1	EACH
153-2707	SHCS - 5/16-18 X 3/4	EACH

## KUSTODIAN PARTS LIST 05:04

PART NUMBER	PART DESCRIPTION	UOM
153-2708	SHOULDER BOLT-1/4 X 1/4 (10-24)	EACH
153-2709	NYLON WASHER - 5/16 (0.060)	EACH
153-2710	HHCS - 5/16-18 X 4-1/2	EACH
153-2711	FENDER WASHER - 5/16	EACH
153-2712	ROLL PIN - 5/32 X 2	EACH
153-2713	SPRING - OIL TIP RETAINER (STD)	EACH
153-2714	FHMS - 1/4-20 X 1-3/4	EACH
153-2715	SPOOL GROMMET - 3/8 X 9/16 (3/8" PANEL)	EACH
153-2717	HEX NUT - 6-32	EACH
153-2718	FHMS PHILLIPS - 6-32 X 5/8	EACH
153-2720	SQUARE HEAD BOLT-1/4-20 X 2 & SQUARE NUT	EACH
153-2722	HHCS - 5/16-18 X 5-1/2 (FULL THREAD)	EACH
153-2723	FHMS PHILLIPS - 4-40 X 3/8	EACH
153-2726	HHCS - 1/4-20 X 3/4	EACH
153-2727	FHMS - 4-40 X 1-1/4	EACH
153-2739	SHOULDER BOLT - 3/8 X 1 (5/16-18 THREAD)	EACH
153-2801	SHOULDER BOLT-3/8 X 3/8 (5/16-18)	EACH
153-2801A	SHOULDER BOLT-3/8 X 3/8-CUT (5/16-18)	EACH
153-2802	FHSS - 5/16-18 X 5/8	EACH
153-2804	COLLAR - 3/8 X 3/4 X 3/8	EACH
153-2805	FHSS - 3/8-16 X 1-1/4	EACH
153-2805A	FHSS - 3/8-16 X 1-1/2	EACH
153-2806	FLAT HEAD PHILLIPS - 8-32 X 5/8	EACH
153-2807	SHOULDER BOLT - 5/16 X 2 (1/4-20) DUSTER PLUG	EACH
153-2808	SPRING - 0.42 OD X 1.25 (DUSTER PLUG)	EACH
153-2813	MS FLAT PHILLIPS - 10-32 X 3/4	EACH
153-2815	HHCS - 3/8-16 X 2-1/4 (GRADE 8)	EACH
153-2816	MS PHILLIPS - 8-32 X 2 (SS)	EACH
153-2817	FLAT HEAD PHILLIPS - 8-32 X 1/2	EACH
153-2818	HHCS - 3/8-16 X 2-1/2 (GRADE 8)	EACH
153-2819	SET SCREW - 5/16-24 X 3/8	EACH
153-6006	MOMENTARY LANE ROLLER SHAFT	EACH
153-6027	LDS ADJUSTMENT BLOCK	EACH
153-6029	MOMENTARY WHEEL HOUSING	EACH
153-6048-STK	STOCK - MACHINE HANDLE TRIM (BLACK)	INCH
153-6251M	SPRAY JET WALL MOUNTING ANGLE	EACH
153-6251S	SPRAY JET SWIVEL MOUNTING ANGLE	EACH
153-6252	SPRAY JET BODY	EACH
153-6412	DUSTER MOTOR SHIELD (7 RPM)	EACH
153-6412C	COVER FOR DUSTER MOTOR SHIELD	EACH
153-6417	GUIDE ROLLER MOUNT BLOCK	EACH
153-6419L	PIVOT ARM - DUSTER CUSHION ROLLER	EACH
153-6437	PUSH BUTTON MOUNTING PLATE	EACH
153-6825	DUSTER CLOTH ROUTING BAR (SS)	EACH
153-6850	UHMW DUSTER PLUG FOR CARDBOARD CORE	EACH
153-6851	UHMW HANDLE SPACER	EACH
153-6853	UHMW DUSTER PLUG FOR PVC TAKE-UP REEL	EACH
153-7002AA	LANE DISTANCE COUNTER WHEEL-TREADED (2")	EACH
153-7013	URETHANE-BLEND LANE DRIVE WHEEL (4")	EACH
153-8039	BUFFER IDLER ASSEMBLY	EACH

## KUSTODIAN PARTS LIST 05:04

PART NUMBER	PART DESCRIPTION	UOM
153-8201B	DUSTER DRIVE HUB ASSEMBLY (1/4-28)	EACH
153-8202B	DUSTER SOLID DRIVE HUB (PVC-1/4-28)	EACH
153-8204	SQUEEGEE BLADE REPLACEMENT KIT (BLUE)	EACH
153-8206F	WATER PUMP-FLOJET 115V	EACH
153-8206H	WATER PUMP-FLOJET 230V	EACH
153-8207	BRAKE MOTOR ASSEMBLY (25 RPM-115 VOLT)	EACH
153-8311	MOMENTARY WHEEL ASSEMBLY (URETHANE)	EACH
153-8403	BRAKE MOTOR ASSEMBLY (7 RPM-115 VOLT)	EACH
153-8410	LANE EDGE GUIDE ROLLER W/BUSHING (1/2")	EACH
153-8803H	BRAKE MOTOR ASSEMBLY (7 RPM-230V 50 Hz)	EACH
153-8807H	BRAKE MOTOR ASSEMBLY (25 RPM-230V 50 Hz)	EACH
153-8827T	1-1/4 PVC ELBOW-TANK INLET (NO THREADS)	EACH
153-9001A	SPROCKET - 40B11 (3/4" BORE)	EACH
153-9003	SPROCKET - 40B10 (5/8" BORE)	EACH
153-9010	SPROCKET - 25B15 (TRANSFER DRIVE & LDS - 3/8")	EACH
153-9013	10LO50 PULLEY-1/2" BORE - BUFFER MOTOR	EACH
153-9014	BUFFER PULLEY (24LO50-3/4")	EACH
153-9023	FLANGED BUSHING (1/2 X 3/4 X 3/4)	EACH
153-9024A	PLAIN BUSHING (5/8 X 7/8 X 3/4)	EACH
153-9034	PLAIN BUSHING (3/8 X 1/2 X 1/4)	EACH
153-9035	PLAIN BUSHING (3/8 X 1/2 X 3/4)	EACH
153-9037	PLAIN BUSHING (1/2 X 3/4 X 3/4)	EACH
153-9045	25 MASTER LINK	EACH
153-9047	40 MASTER LINK	EACH
153-9051	CUSHION ROLLER PLUG WITH STUD	EACH
153-9402	FLANGED BUSHING (3/8 X 1/2 X 1/2)	EACH
153-9409	FLANGED BUSHING (1/4 X 3/8 X 1/4)	EACH
153-9803	FLANGED BUSHING (3/8 X 1/2 X 1/4)	EACH
153-9804	PRIMARY DRIVE CHAIN (40P35)	EACH
153-9808	FLANGED BUSHING (1/4 X 1/2 X 5/8)	EACH
154-0004	LIFTING HANDLES - SPRING LOADED	EACH
154-0006	BUMPER GUARD - POLYURETHANE (9/32)	EACH
154-0006A	BUMPER GUARD - POLYURETHANE (13/32)	EACH
154-0007	SPRAY TIP - STAINLESS STEEL (1501)	EACH
154-0031	5/16-24 ALLTHREAD STOCK-ZINC PLATE	INCH
154-0201A	VITON TUBING STOCK (3/8" OD X 1/4" ID)	INCH
154-0202	PUMP TUBING STOCK (3/8" OD X 1/4" ID)	INCH
154-0202A	PENCIL TUBING STOCK - 1/4" OD X 1/8" ID	INCH
154-0202B	PENCIL TUBING STOCK-3/16" OD X 1/16" ID	INCH
154-0204	YELLOW TYGON TUBING-1/2 OD X 3/8 ID	INCH
154-0206S	SPRING STOCK-3/8" OD X 0.041 WIRE	EACH
154-0210S	ROUND FELT STOCK (1/2" FOR 25 ml CYLINDERS)	INCH
154-0211	FILTER FOR OIL TANK VENT VALVE	EACH
154-0212	TANK FILTER (5" SS) FOR OIL TANK	EACH
154-0212B	FILTER FOR SUPPLY TANK (5" SS) PVC	EACH
154-0213	TIP FOR OIL PENCIL (1/8 BARB X 1/16")	EACH
154-0215	GRADUATED CYLINDER (25 ML)	EACH
154-0221	BULKHEAD UNION - 1/4" TUBING	EACH
154-0222	ELBOW - 1/4" STEM x 1/4" TUBING OD	EACH
154-0223	ELBOW (90 DEGREE) - 1/4 NPT x 1/4" TUBE	EACH

## KUSTODIAN PARTS LIST 05:04

PART NUMBER	PART DESCRIPTION	UOM
154-0225	ELBOW - 3/8 TUBE OD x 1/4 NPT	EACH
154-0226	ELBOW-TUBE TO HOSE BARB (1/4" X 1/4 ID)	EACH
154-0227	ELBOW-TUBE TO HOSE BARB (1/4" X 5/16 ID)	EACH
154-0228S	STOCK - 1/8" GRAY FELT (SAE F3)	SQ INCH
154-0231	PLUG - 1/2" TUBE OD	EACH
154-0232	MALE CONNECTOR - 1/2" TUBE x 1/2 NPT	EACH
154-0242K	STOCK - VELCRO (2" WIDE HOOK WITH ADHESIVE)	INCH
154-0242L	STOCK - VELCRO (2" WIDE LOOP WITH ADHESIVE)	INCH
154-0243	ELBOW (90 DEGREE) 1/4 X 1/4 (GUEST)	EACH
154-0243S	STEM ADAPTER-1/4 NPT X 1/4" STEM	EACH
154-0248	REDUCING UNION CONNECTOR-1/4" X 3/16"	EACH
154-0256	ELBOW - 3/8 TUBE X 3/8 TUBE	EACH
154-0257	FEMALE CONNECTOR - 1/4" TUBE x 1/8 FPT	EACH
154-0258	ELBOW - 3/8 STEM X 3/8 TUBE	EACH
154-0260	FLEXIBLE HOSE STOCK FOR VACUUM (1-1/2" ID)	INCH
154-0262	SAFETY STICKER - COMMERCIALS FLUIDS ONLY	EACH
154-0263	SAFETY STICKER - DISCONNECT POWER	EACH
154-0264	SAFETY STICKER - USE CORD PROVIDED	EACH
154-0265	SAFETY STICKER - MOVING PARTS	EACH
154-0266	SAFETY STICKER - INTERNATIONAL SYMBOL	EACH
154-0269	SAFETY STICKER - GROUND LOCATION	EACH
154-0270	SAFETY STICKER - NO HANDS	EACH
154-0273C	CORD CONDUCTOR ID CARD-OLDFLEX	EACH
154-0274	START BUTTON STICKER	EACH
154-0277	HI-POT TESTED STICKER	EACH
154-0285	BULKHEAD UNION - 3/8	EACH
154-0293	MACHINE STICKER - SANCTION TECHNOLOGY	EACH
154-0294	MACHINE STICKER - KEGEL LOGO (BIRD)	EACH
154-0410	FITTING - 3/8 TUBE X 3/8 NPT MALE	EACH
154-0412	ELBOW - 3/8 NPT X 1/4 TUBE	EACH
154-0603	STOCK - BUFFER BRUSH 48 X 3-3/4"	EACH
154-0605	STOCK - 1/8 X 1-3/4 ALUMINUM FLAT BAR	INCH
154-0606	HEAT SHRINK - 2"	EACH
154-0607	PVC ELBOW - 1-1/2 BARB X 1-1/2 BARB	EACH
154-0609	MAGNETIC CATCH FOR SPLASH GUARD	EACH
154-0610	SAFETY STICKER - DO NOT OVERFILL	EACH
154-0611	SAFETY STICKER - EMPTY TANK	EACH
154-0613	ELBOW - 1/8 NPT X 3/16 TUBE	EACH
154-0616	FUSE AND BREAKER STICKER - 115V	EACH
154-0618	STOCK - VELCRO (1" WIDE LOOP WITH ADHESIVE)	EACH
154-0801	KEYBOARD DECAL - KUSTODIAN	EACH
154-0803	ELBOW - 3/8 NPT X 3/8 TUBE	EACH
154-0804	LID LATCH - 1/4 TURN WITH SLOT	EACH
154-0805	LID LATCH - 1/4 TURN WITH FLANGE	EACH
154-0806	SERIAL NAMEPLATE - KUSTODIAN	EACH
154-0807	FUSE PANEL STICKER (SPECIFY MODEL)	EACH
154-0808	TOGGLE SWITCH STICKER	EACH
154-0813	MACHINE STICKER - KUSTODIAN	EACH
154-0832	TANK CAP W/GASKET	EACH
154-0851	HANDLE PLUG (SQUARE)	EACH

## KUSTODIAN PARTS LIST 05:04

PART NUMBER	PART DESCRIPTION	UOM
154-0866	TRANSFER BRUSH ASSEMBLY	EACH
154-0875	STICKER ERROR & OUTPUT (KUST MODEL D)	EACH
154-1015	MICROSWITCH WITH ROLLER (DISTANCE COUNT)	EACH
154-1206	GEARBOX FOR HEAD DRIVE MOTOR (5:1 RATIO)	EACH
154-1208	MOTOR CAPACITOR (6.0 mF)	EACH
154-1208B	MOTOR CAPACITOR (1.5 mF)	EACH
154-1209	VALVE-24V DC 3-WAY (1/8" NPT)	EACH
154-1214	FLUID METERING PUMP (RH0CKC) - 0.05 ml/STROKE	EACH
154-1217	120V RELAY FOR SPEED CONTROL	EACH
154-1218	TRIMPOT FOR CIRCUIT BOARD (1K)	EACH
154-1219	TRIMPOT FOR CIRCUIT BOARD (2K)	EACH
154-1220	INDUCTIVE PROXIMITY SENSOR (TL-Q5MC1)	EACH
154-1225	PRESSURE GAUGE (0-30 PSI) - 1-1/2 DIA	EACH
154-1231	CONNECTOR 6 CIRCUIT RECEPTACLE	EACH
154-1232	CONNECTOR 6 CIRCUIT FREE PLUG (MALE PIN)	EACH
154-1239	TERMINAL BLOCK-GRAY 2 COND (WAGO 261)	EACH
154-1240	TERMINAL BLOCK-BLUE 2 COND (WAGO 261)	EACH
154-1241	TERMINAL BLOCK-ORANGE 2 COND (WAGO 261)	EACH
154-1243	TERMINAL BLOCK-GRAY 4 COND (WAGO 261)	EACH
154-1244	TERMINAL BLOCK-BLUE 4 COND (WAGO 261)	EACH
154-1245	TERMINAL BLOCK-ORANGE 4 COND (WAGO 261)	EACH
154-1246	TERMINAL BLOCK-WHITE 4 COND (WAGO 261)	EACH
154-1247	END PLATE FOR TERMINAL BLOCK (WAGO 261)	EACH
154-1248	JUMPER BAR FOR TERMINAL BLOCK (WAGO 261)	EACH
154-1250	EMERGENCY STOP CIRCUIT BREAKER ASSEMBLY	EACH
154-1251	CIRCUIT BREAKER FOR E-STOP (10A NC)	EACH
154-1252	FORK TERMINAL - 22-18 AWG (#6 STUD)	EACH
154-1252A	FORK TERMINAL - 16-14 AWG (#6 STUD)	EACH
154-1254	PLUG ADAPTER - EUROPE	EACH
154-1255	FILTER - EMI SUPPRESSOR	EACH
154-1257	FERRITE EMI SUPPRESSOR	EACH
154-1260E	FUSE - TIME DELAY (GDC-315MA) IEC	EACH
154-1261	FUSE - TIME DELAY (0.5A MDL) UL	EACH
154-1261E	FUSE - TIME DELAY (GDC-500MA) IEC	EACH
154-1262	FUSE - TIME DELAY (0.75A MDL) UL	EACH
154-1264E	FUSE - TIME DELAY (GDC-1A) IEC	EACH
154-1266	FUSE - TIME DELAY (2.25A MDL) UL	EACH
154-1267E	FUSE - TIME DELAY (GDA-4A) IEC - CERAMIC	EACH
154-1268	FUSE - TIME DELAY (4A MDL) UL	EACH
154-1268C	FUSE - TIME DELAY (4A ABC) UL - CERAMIC	EACH
154-1268E	FUSE-TIME DELAY (GDA-4A) IEC	EACH
154-1269E	FUSE-TIME DELAY (GDA-6.3A) IEC	EACH
154-1270	FUSE - TIME DELAY (7.5A MDL) UL	EACH
154-1272	CIRCUIT BREAKER - DPST (10A)	EACH
154-1273	FUSE - TIME DELAY FUSE (10A MDL)	EACH
154-1603	MICROSWITCH - WITHOUT ROLLER (LARGE - STD)	EACH
154-1606	STOCK - HEAT SHRINK TUBING (1-1/8)	INCH
154-1607	RT ANGLE FEMALE QUICK DISC-3/16 (22-18)	EACH
154-1608	RT ANGLE FEMALE QUICK DISC-3/16 (16-14)	EACH
154-1610	CIRCUIT BREAKER - DPST (15A)	EACH

KUSTODIAN PARTS LIST 05:04

PART NUMBER	PART DESCRIPTION	UOM
154-1617	FLOAT FOR PLASTIC TANK	EACH
154-1648	WIRE TIE - 6"	EACH
154-1801	MICROPROCESSOR - CPM2A-40	EACH
154-1803	CABLE FOR NT2-S	EACH
154-1807	PIN & SOCKET CONNECTOR 15 CIRCUIT FREE RECEPTACLE	EACH
154-1808	PIN & SOCKET CONNECTOR 15 CIRCUIT FREE PLUG (MALE PINS)	EACH
154-1811	TOGGLE SWITCH SPDT (ON-OFF-ON)	EACH
154-1830	RELAY BASE SEPARATOR PLATE	EACH
154-1831	RED BRIDGE JUMPER (PHOENIX CONTACT)	INCH
154-1832	GREY BRIDGE JUMPER (PHOENIX CONTACT)	INCH
154-1835	COMPLETE RELAY ASSEMBLY - PHOENIX PLC SERIES	EACH
154-4700K	OPERATORS MANUAL - KUSTODIAN (SPECIFY MODEL)	EACH
154-6021	DRIVE SHAFT END PILLOWBLOCK	EACH
154-6041	UHMW HANDLE STOP	EACH
154-6042	UHMW WHEEL - CORNER GUARD	EACH
154-6221	MOUNTING ANGLE - HEAVY DUTY CASTER (3 x 3.625)	EACH
154-6222	MOUNTING ANGLE - HEAD DRIVE MOTOR	EACH
154-6223A	MOUNTING ANGLE - PUMP & MOTOR (#4-LEFT)	EACH
154-6243	MOTOR CAM-DUAL LOBES (STACKED SWITCHES)	EACH
154-6248	CLAMP FOR PVC TAKE-UP REEL	INCH
154-6252	CATCH PLATE FOR ELECTRICAL LID	EACH
154-6257	PRESSURE GAUGE MOUNT ANGLE	EACH
154-6264	SHAFT FOR TIMING DISK (REMOTE SENSOR)	EACH
154-6270	SPACER FOR LDC SENSOR (3/16" ALUMINUM)	EACH
154-6273	MOUNTING ANGLE FOR E-STOP	EACH
154-6287	GUARD FOR PUMP & MOTOR	EACH
154-6301-2915	FLOOR PLATE (PAINTED)	EACH
154-6304-2915	FRONT WALL (PAINTED)	EACH
154-6305-2915	CENTER TANK WALL (PAINTED)	EACH
154-6307-2915	CENTER TRANSFER WALL (PAINTED)	EACH
154-6339-2915	SQUEEGEE MOUNT ANGLE ASSEMBLY (PAINTED)	EACH
154-6341-2915	PC RELAY MOUNTING PLATE	EACH
154-6342-2915	LEFT SIDE PLATE (PAINTED)	EACH
154-6343-2915	RIGHT SIDE PLATE (PAINTED)	EACH
154-6346-2915	REAR WALL (PAINTED)	EACH
154-6356	MOUNT BLOCK FOR LATCH	EACH
154-6357	LATCH FOR SPLASH GUARD	EACH
154-6613	VACUUM MOTOR HOUSING	EACH
154-6614	LDS SENSOR GUARD	EACH
154-6627	SIDE LIFT HANDLE	EACH
154-6628	CASTER/HANDLE MOUNT ANGLE	EACH
154-6629	SIDE LIFT HANDLE MOUNT	EACH
154-6641	LDS SENSOR MOUNT TOP PLATE	EACH
154-6642	LDS SENSOR QUICK MOUNT FRONT PLATE	EACH
154-6646	HEAD BELT MOUNT PLATE	EACH
154-6647A	SLIDING HEAD BAR	EACH
154-6651	FRONT GUIDE ROLLER MOUNT	EACH
154-6652	GUIDE ROLLER MOUNT BLOCK	EACH
154-6664	BUFFER BRUSH PULLEY SPACER	EACH
154-6665	HEAD TIMING SHAFT	EACH

## KUSTODIAN PARTS LIST 05:04

PART NUMBER	PART DESCRIPTION	UOM
154-6669	SQUEEGEE CAM GUARD	EACH
154-6670	SQUEEGEE CAM	EACH
154-6672A	SLIDING HEAD	EACH
154-6674	FLOOR PLATE MOUNT ANGLE	EACH
154-6675	OIL TANK MOUNT ANGLE	EACH
154-6677	SQUEEGEE HOSE ADAPTER	EACH
154-6679	BUFFER/HEAD DRIVE GUARD	EACH
154-6687	SPRING RETAINER PLATE	EACH
154-6697	LID MOUNT SCREW PLATE	EACH
154-6698	LID MOUNT PLATE	EACH
154-6715	TACHOMETER SENSOR GUARD	EACH
154-6717	5-TOOTH SENSOR DISK - ALUMINUM (3/8 BORE)	EACH
154-6726	POLY CONDITIONER SUPPLY TANK W/SPIN WELD	EACH
154-6736	POLY CLEANER SUPPLY TANK W/SPIN WELD K+	EACH
154-6811	MAIN DRIVE SHAFT GUARD	EACH
154-6812	RIGHT PARTITION WALL	EACH
154-6818	HEAD SENSOR GUARD	EACH
154-6820	MAIN DRIVE SHAFT	EACH
154-6821	LDS SHAFT - KUSTODIAN	EACH
154-6824	BRUSH CAM SWITCH PLATE	EACH
154-6825	HEAD MOUNT BAR (NYLON)	EACH
154-6827	PC RELAY MOUNT PLATE ANGLE	EACH
154-6829	MOUNTING PLATE - HEAD TIMING SENSORS	EACH
154-6831	6-TOOTH SENSOR DISK - ALUMINUM	EACH
154-6832	OIL PENCIL TIP - ALUMINUM	EACH
154-6833	SKID GUIDE	EACH
154-6841	BUFFER IDLER MOUNT BAR	EACH
154-6862	BRUSH TRACK MOUNT KUSTODIAN PLUS	EACH
154-6867	TRANSFER BRUSH MOUNT PLATE	EACH
154-6887	OIL HOSE AND TIP HOLDER	EACH
154-6893	OIL HEAD - ADJUSTABLE TIP ANGLE	EACH
154-6894	OIL TIP & HOSE HOLDER	EACH
154-6899	TRANSFER BRUSH CENTER SUPPORT BLOCK	EACH
154-8007	SIDE PLATE PILLOWBLOCK FOR DRIVE SHAFT	EACH
154-1207B	MOTOR CAPACITOR (4.0 MF)	EACH
154-8232	HEAD DRIVE MOTOR - 115V (NO GEARBOX)	EACH
154-8320	PILLOWBLOCK - LANE DISTANCE SHAFT (CENTER-PLAIN)	EACH
154-8604	CONDITIONER PUMP MOTOR -115V	EACH
154-8604E	CONDITIONER PUMP MOTOR - 230V	EACH
154-8607	SQUEEGEE & DUSTER SWITCH GUARD (WITH FELT)	EACH
154-8616A	BUFFER MOTOR (115V-AC ONLY)	EACH
154-8616E	BUFFER MOTOR (230V-AC ONLY)	EACH
154-8619	PILLOWBLOCK-LANE DISTANCE (LEFT-FLANGED)	EACH
154-8621	PILLOWBLOCK-LANE DISTANCE (RIGHT-FLANGE)	EACH
154-8625	VACUUM MOTOR HOUSING - ALUMINUM	EACH
154-8632	HEAD DRIVE MOTOR-230V (NO GEARBOX)	EACH
154-8637	BUFFER BRUSH LIFTING ASSEMBLY	EACH
154-8638	BUFFER BRUSH LIFTING LINK - LEFT	EACH
154-8639	BUFFER BRUSH LIFTING LINK - RIGHT	EACH
154-8640	FLANGED BEARING-STD BRUSH (3/4" ROTATED)	EACH



KUSTODIAN PARTS LIST 05:04

PART NUMBER	PART DESCRIPTION	UOM
154-8641	BUFFER BRUSH-STANDARD (BLUE 3-3/4" X 48)	EACH
154-8643	MOUNTING BLOCK FOR TIMING PULLEY-STD	EACH
154-8647	FUNNEL - CLEANER SUPPLY TANK (ST)	EACH
154-8648	FUNNEL - CONDITIONER TANK	EACH
154-8660	PULSE SUPPRESSER KIT - PUMP TO METERING VALVE	EACH
154-8669	FELT KIT FOR TRANSFER COMPARTMENT	EACH
154-8682	POLY COMPLETE CONDITIONER TANK	EACH
154-8683	POLYETHYLENE RECOVERY TANK (2002)	EACH
154-8800	SPARE PARTS KIT (115V)	EACH
154-8800E	SPARE PARTS KIT (230V)	EACH
154-8801	SQUEEGEE ADJUSTMENT ARM - LEFT	EACH
154-8802	SQUEEGEE ADJUSTMENT ARM - RIGHT	EACH
154-8803	DRIVE SHAFT PILLOWBLOCK (FLANGED)	EACH
154-8804	MAIN DRIVE SHAFT GUARD ASSY	EACH
154-8805	VACUUM MOTOR ASSEMBLY - 115V	EACH
154-8805E	VACUUM MOTOR ASSEMBLY - 230V	EACH
154-8806	KEYPAD ASSEMBLY	EACH
154-8810	CIRCUIT BOARD ASSEMBLY (115V)	EACH
154-8811	CIRCUIT BOARD ASSEMBLY (230V)	EACH
154-8813	LID ASSEMBLY	EACH
154-8817	MANUAL VENT VALVE ASSEMBLY	EACH
154-8818	SPLASH GUARD ASSEMBLY	EACH
154-8823	HANDLE ASSEMBLY	EACH
154-8824	BUTTON ASSEMBLY FOR HANDLE	EACH
154-8829	POWER CORD ASSEMBLY - 115V (NO KILL)	EACH
154-8830	POWER CORD ASSEMBLY - 230V (NO KILL)	EACH
154-8837	CAM TO BRUSH LIFTING ROD LINK ASSEMBLY	EACH
154-8839	BUFFER IDLER ASSEMBLY	EACH
154-8865	BALDOR DC DRIVE MOTOR ASSEMBLY	EACH
154-8894	CLEANER SUPPLY TANK KUSTODIAN PLUS	EACH
154-9202A	BELT FOR METERING PUMP (130XL037) 60 Hz	EACH
154-9204	PULLEY - HEAD IDLER (32XL-1/4" BORE-W/SET)	EACH
154-9205B	PULLEY - HEAD DRIVE MOTOR (28XL 3/8") 50 Hz	EACH
154-9205D	PULLEY - HEAD DRIVE MOTOR (24XL-3/8")	EACH
154-9208	PULLEY - METERING PUMP (12XL-5/16)	EACH
154-9211	LDS AND TACH SENSOR DRIVE CHAIN (25P29)	EACH
154-9212	PLAIN BUSHING (3/8 X 1/2 X 1/2)	EACH
154-9213	SPROCKET-25B15 (1/2")	EACH
154-9607	PULLEY (24XL 5/16" BORE W/SET)	EACH
154-9615	T-BELT 255L050 (BUFFER MOTOR)	EACH



# ***KUSTODIAN***

## *Notes*



***KUSTODIAN***

*ΝΟΤΕΣ*