

2017

FLEX AND FLEX WALKER

OPERATORS MANUAL

KEGEL LLC
1951 Longleaf Blvd.
Lake Wales, FL 33859
863-734-0200 | 800-280-2695

CHAPTER 7

Miscellaneous Parts

Stickers and Decals



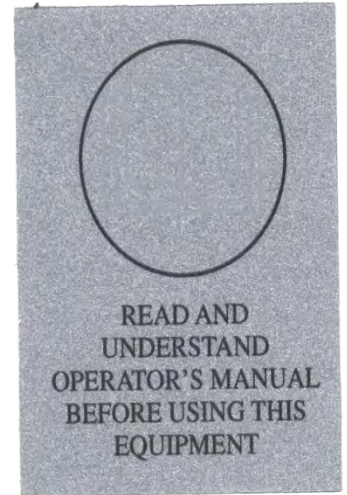
153-0037



154-0272



154-0274



158-0207



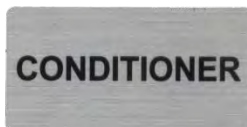
154-0297



154-0266



154-0269



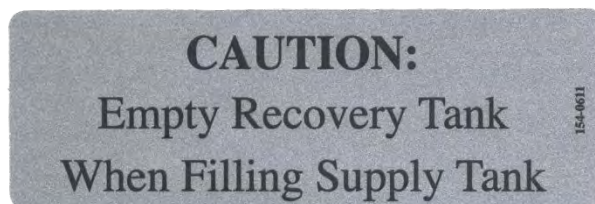
154-0647



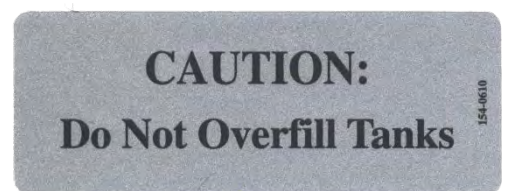
154-0648



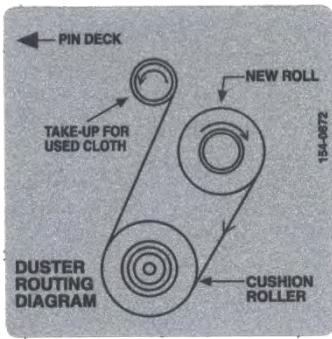
164-0013



154-0611




154-0610



154-0872

WARNING: To reduce the risk of fire, use only commercially available bowling lane cleaners and conditioners intended for machine application.

154-0262

 **CAUTION:** Moving Parts - To Reduce The Risk Of Injury, Unplug Before Servicing.

154-0265



154-0270

**HEAD
DRIVE**

153-0850

**OIL
PUMP**

153-0849

Main Drive Speed Control

158-0606

Battery Voltage 

CVR Voltage 

Drive Motor	Buffer Motor	Vacuum Motor
Duster Unwind	Duster Windup	Squeegee Motor
Brush Lift Motor	Head Motor	Oil Pump Motor
PLC Input Power/L1	PLC Output Common	Touch Screen
Cleaner Pump #1	Machine Power	Cleaner Pump #2

164-0005

FLE

164-0007

FLE

164-0008



164-0009



164-0014



164-0016



164-0015



164-0017

Fittings



Elbow-
1/4" Tube x 1/4" Tube
154-0243



Elbow-
3/8" Tube x 3/8" Tube
154-0256



Elbow-
3/8" NPT x 1/4" Tube - 154-0225
3/8" NPT x 3/8" Tube - 154-0223



Elbow-
1/4" Stem x 1/4" Tube
154-0222



Elbow-
3/8" Stem x 3/8" Tube
154-0258



Elbow-
1/4" Stem x 1/4" Hose Barb
154-0226



Elbow-
3/8" Stem x 5/16" Hose Barb
154-0227



Reducing Union-
1/4" x 3/16" - 154-0248



Union-
1/4" x 1/4" - 154-0241



Male Lure-
1/8" Hose Barb - 154-0863



Female Connector-
1/4" Tube x 1/8" FPT - 154-0257



Male Swivel Elbow-
1/4 Tube x 1/4 NPT
153-0818

CHAPTER 8

Mechanical Drawings

Battery and Chargers.....	161
Flex Lid and Cover Assembly.....	162
Flex Panel Exploded View.....	164
Flex Top View.....	166
Flex Bottom View.....	168
Flex Left Side View.....	170
Flex Right Side View.....	172
Flex LDS Assembly.....	174
Flex Front Handle Assembly.....	176
Flex Handle Assembly.....	178
Flex Walker Lid and Cover Assembly.....	180
Flex Walker Panel Exploded View.....	182
Flex Walker Top View.....	184
Flex Walker Bottom View.....	186
Flex Walker Left Side View.....	188
Flex Walker Right Side View.....	190
Flex Walker LDS Assembly.....	192
Flex Walker Front Handle Assembly.....	194
Flex Walker Whisker Assembly.....	196
PLC Plate Assembly.....	198
Oil Valve Assembly.....	200
Sub Tank Cartridge Assembly.....	202
Oil Head Assembly.....	204
Oil Transfer Assembly.....	206
Brush Lift Rod Assembly.....	208
Cleaner Tank Assembly.....	210
Cleaner Head Assembly.....	212
Duster Assembly.....	214
Recovery Tank Assembly.....	216
Squeegee Assembly.....	218
Vacuum Motor Assembly.....	220
Pindeck Treatment Assembly.....	222
Flex Walker Left ZTR Assembly.....	224
Flex Walker Right ZTR Assembly.....	226

BATTERIES AND CHARGERS

Rev. 12/13



158-1634 – K2 LITHIUM – 25.6 Ah



158-1634B – K2 LITHIUM – 38.4 Ah



158-1634C – K2 LITHIUM – 51.2 Ah

Battery Quick Disconnects

Red - 158-1407

Blue - 158-1408

ProNautic® Charger and Accessories



164-8471 -

EXTERNAL BATTERY CHARGER ASSEMBLY – 115V

164-8471 E

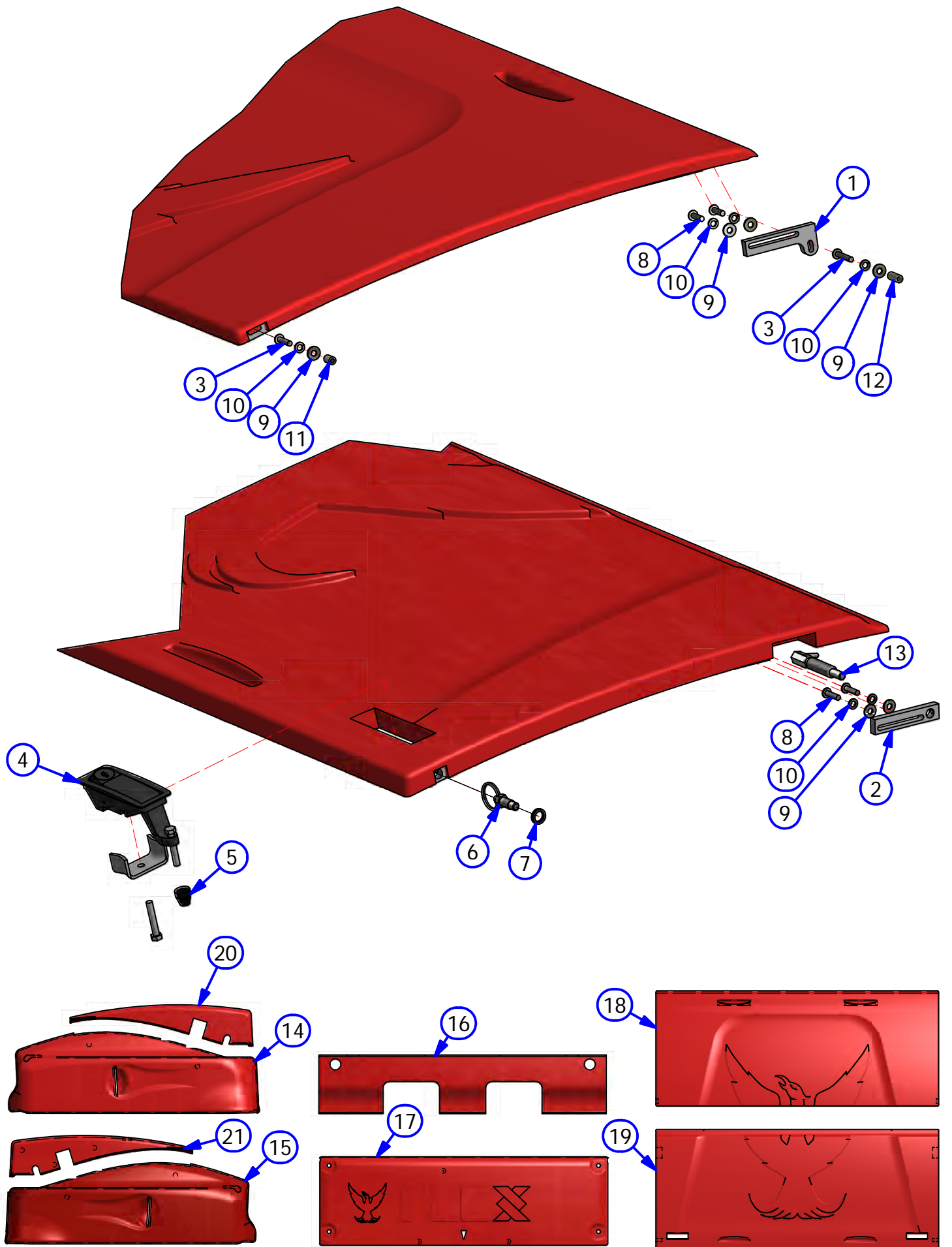
EXTERNAL BATTERY CHARGER ASSEMBLY – 230v

DC Power Cord Assembly – 6FT External – 164-8475

LID AND COVER ASSEMBLY - FLEX

REV. 8/18

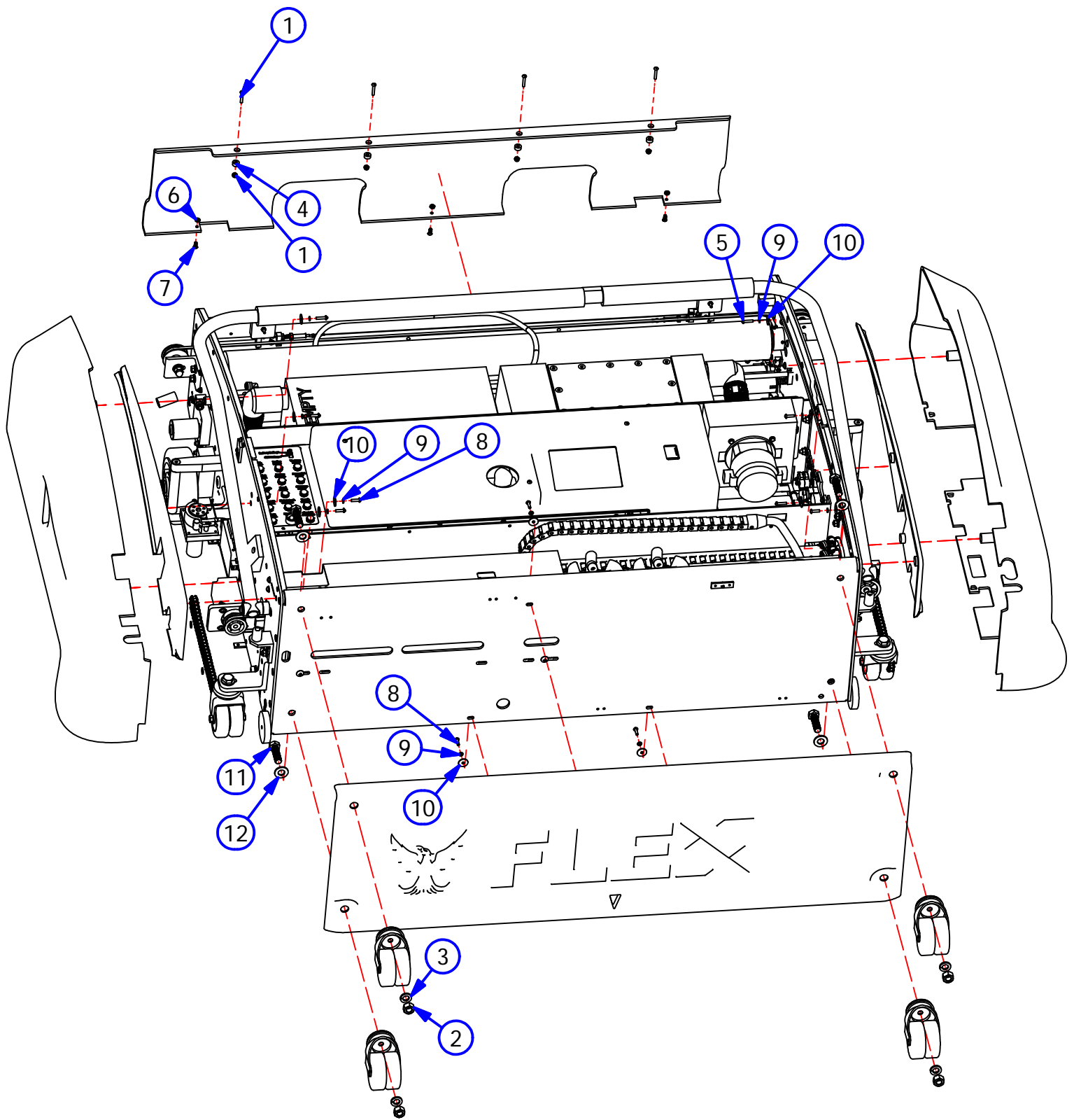
<u>INDEX</u>				
<u>NUMBER</u>	<u>QTY.</u>	<u>PART NUMBER</u>	<u>DESCRIPTION</u>	<u>UOM</u>
1	2	164-6234	SLIDING LID MOUNT (CLEANING LID)	EA
2	2	164-6233	SLIDING LID MOUNT (CONDITIONING LID)	EA
3	4	164-2072	SHCS 8-32 X 3/4 THREAD LOCKING PATCH	EA
4	2	153-2232L	FLUSH MOUNT LID LATCH (WITH LOCK)	EA
5	2	164-6164	LID LATCH BUMPER	EA
6	2	164-2002	DETENT - SPRING PLUNGER	EA
7	2	164-2041	SHIM FOR SCREW SHOULDER	EA
8	8	153-2086	MS PHILLIPS 8-32 X 5/8	EA
9	12	153-2002	FLAT WASHER #8	EA
10	12	153-2013	LOCK WASHER #10	EA
11	2	164-2044	STANDOFF FEMALE THREADED 8-32 X 3/8	EA
12	2	164-2071	STANDOFF FEMALE THREADED	EA
13	2	164-2069	SPRING PLUNGER THREADED	EA
14	1	164-8234	FLEX LT SIDE GUARD - WHITE	EA
	1	164-8234-1525	FLEX LT SIDE GUARD - BLUE	EA
	1	164-8234-2850	FLEX LT SIDE GUARD - BLACK	EA
	1	164-8234-2911	FLEX LT SIDE GUARD - RED	EA
15	1	164-8235	FLEX RT SIDE GUARD - WHITE	EA
	1	164-8235-1525	FLEX RT SIDE GUARD - BLUE	EA
	1	164-8235-2850	FLEX RT SIDE GUARD - BLACK	EA
	1	164-8235-2911	FLEX RT SIDE GUARD - RED	EA
16	1	164-8236	FRONT BUMPER - WHITE	EA
	1	164-8236-1525A	FRONT BUMPER - BLUE	EA
	1	164-8236-2850A	FRONT BUMPER - BLACK	EA
	1	164-8236-2911A	FRONT BUMPER - RED	EA
17	1	164-8049	FLEX BACK PANEL - WHITE	EA
	1	164-8049-1525	FLEX BACK PANEL - BLUE	EA
	1	164-8049-2850	FLEX BACK PANEL - BLACK	EA
	1	164-8049-2911	FLEX BACK PANEL - RED	EA
18	1	164-8230	SLIDING CLEANER COMPARTMENT LID - WHITE	EA
	1	164-8231-2850	SLIDING CLEANER COMPARTMENT LID - BLACK	EA
	1	164-8230-2911	SLIDING CLEANER COMPARTMENT LID - RED	EA
	1	164-8230-1525	SLIDING CLEANER COMPARTMENT LID - BLUE	EA
19	1	164-8231	SLIDING LID ASSEMBLY - WHITE	EA
	1	164-8231-2850	SLIDING LID ASSEMBLY - BLACK	EA
	1	164-8231-2911	SLIDING LID ASSEMBLY - RED	EA
	1	164-8231-1525	SLIDING LID ASSEMBLY - BLUE	EA
21	1	164-6733	LEFT SIDE GUARD FLEX UPPER - WHITE	EA
	1	164-6733-2850	LEFT SIDE GUARD FLEX UPPER - BLACK	EA
	1	164-6733-2911	LEFT SIDE GUARD FLEX UPPER - RED	EA
	1	164-6733-1525	LEFT SIDE GUARD FLEX UPPER - BLUE	EA
22	1	164-6732	RIGHT SIDE GUARD FLEX UPPER - WHITE	EA
	1	164-6732-2850	RIGHT SIDE GUARD FLEX UPPER - BLACK	EA
	1	164-6732-2911	RIGHT SIDE GUARD FLEX UPPER - RED	EA
	1	164-6732-1525	RIGHT SIDE GUARD FLEX UPPER - BLUE	EA



PANEL EXPLOSION - FLEX

REV. 3/16

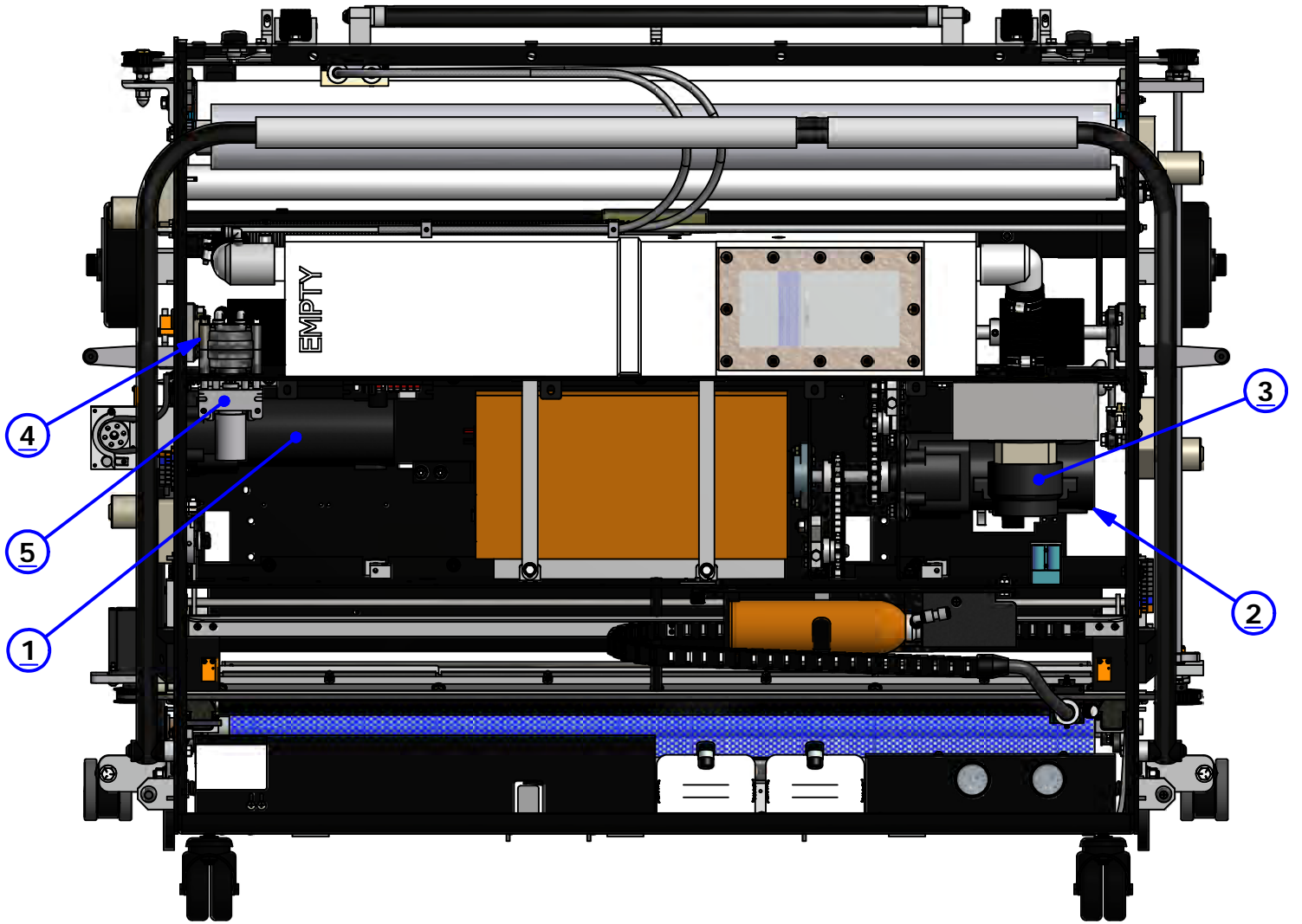
<u>INDEX</u> <u>NUMBER</u>	<u>QTY.</u>	<u>PART</u> <u>NUMBER</u>	<u>DESCRIPTION</u>	<u>UOM</u>
1	4	164-2066	BINDING POST	EA
2	4	153-2026	HEX NUT - 1/2-13	EA
3	4	153-2017	1/2 LOCKWASHER	EA
4	4	164-2038	RUBBER BUMPER SBR	EA
5	4	153-2087	MS PHILLIPS - 8-32 X 3/4	EA
6	3	164-2051	THIN HEX LOCKNUT - 8-32	EA
7	3	153-2817	FHMS-8-32 X 1/2	EA
8	7	153-2086	MS PHILLIPS - 8-32 X 5/8	EA
9	11	153-2013	#10 LOCKWASHER	EA
10	11	153-2953	FENDER WASHER - #8	EA
11	4	164-2039	HHCS 1/2-13 X 1 3/4 GRADE 5	EA
12	4	153-2007	1/2 FLATWASHER	EA



TOP VIEW - FLEX

REV. 1/17

<u>INDEX</u> <u>NUMBER</u>	<u>QTY.</u>	<u>PART</u> <u>NUMBER</u>	<u>DESCRIPTION</u>	<u>UOM</u>
1	1	158-8414	BUFFER MOTOR - 24VDC - 500RPM - STANDARD	EA
	1	158-1406B	BUFFER MOTOR BRUSHES (PAIR)	PR
	1	164-9016	BUFFER BELT STANDARD	EA
	1	158-9401	PULLEY (14 TOOTH 1/2" BORE)	EA
1	1	164-8014	BUFFER MOTOR - 24VDC - 700RPM - VARIABLE BUFFER	EA
	1	158-1405B	BUFFER MOTOR BRUSHES (PAIR)	PR
	1	164-9017	BUFFER MOTOR BELT VARIABLE	EA
	1	164-9014A	BUFFER MOTOR PULLEY ASSEMBLY	EA
2	1	164-8217	MAIN DRIVE MOTOR 24V	EA
	1	158-1405B	DRIVE MOTOR BRUSHES (PAIR)	PR
	1	154-9601	CHAIN (FOR 153-9002 SPROCKET)	EA
	1	153-9047	MASTER LINK #40	EA
	1	153-9048	OFFSET LINK #40	EA
	1	153-9002	SPROCKET - 40B13 (5/8 IN)	EA
3	1	158-8407	VACUUM MOTOR - 24VDC	EA
4	1	158-8404D	CLEANER PUMP ASSEMBLY	EA
	1	154-0861B	NORPRENE TUBING FOR CLEANER PUMP ASSEMBLY	EA
5	1	158-8404	CLEANER PUMP MOTOR - 24VDC	EA



BOTTOM - FLEX

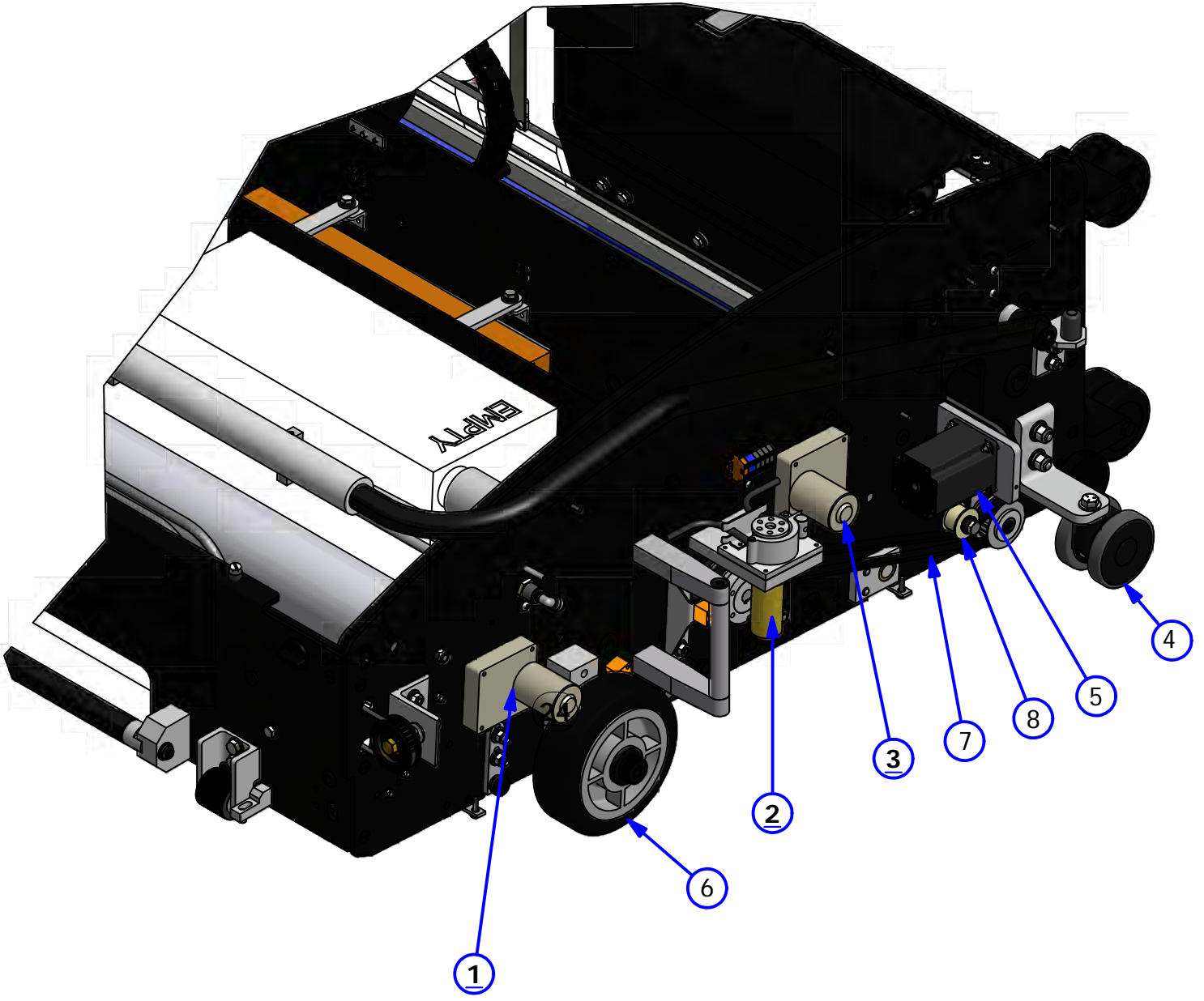
REV. 3/16

<u>INDEX</u> <u>NUMBER</u>	<u>QTY.</u>	<u>PART</u> <u>NUMBER</u>	<u>DESCRIPTION</u>	<u>UOM</u>
1	1	164-8001	BUFFER BRUSH ASSEMBLY	EA
	1	164-9016	BUFFER BELT ASSEMBLY - NON-VARIABLE	EA
	1	164-9017	BUFFER BELT ASSEMBLY - VARIABLE BUFF	EA
2	2	158-8642	REAR GUIDE WHEEL ASSEMBLY - COMPLETE <i>THE BELOW ATTACHED PARTS ARE NOT SHOWN</i>	EA
	2	153-2407	SHOULDER BOLT 3/8 X 1 3/4	EA
	2	153-2978	SPRING - COMPRESSION FOR GUIDE WHEEL	EA
	2	158-8636	GUIDE WHEEL ASSEMBLY - REAR	EA
3	2	158-8643	FRONT GUIDE WHEEL ASSEMBLY - COMPLETE <i>THE BELOW ATTACHED PARTS ARE NOT SHOWN</i>	EA
	2	153-9803	FLANGED BUSHING - 3/8 X 1/2 X 3/4	EA
	2	153-2978	SPRING - COMPRESSION FOR GUIDE WHEEL	EA
	2	158-8637	GUIDE WHEEL ASSEMBLY - FRONT	EA
4	2	158-8636	GUIDE WHEEL ASSEMBLY - REAR (WHEEL ONLY)	EA
5	2	158-8637	GUIDE WHEEL ASSEMBLY - FRONT (WHEEL ONLY)	EA
6	2	153-7005R	MOMENTARY WHEEL ASSEMBLY (WHEEL ONLY)	EA
	2	153-6006	MOMENTARY WHEEL SHAFT	EA
	2	153-6029	MOMENTARY WHEEL HOUSING ASSEMBLY	EA
7		153-9803	SKID GUIDE	EA
8	2	153-7002AA	LDS/DRIVE WHEEL ASSEMBLY	EA
9	2	153-7013	DRIVE WHEEL ASSEMBLY	EA

LEFT SIDE - FLEX

REV. 3/16

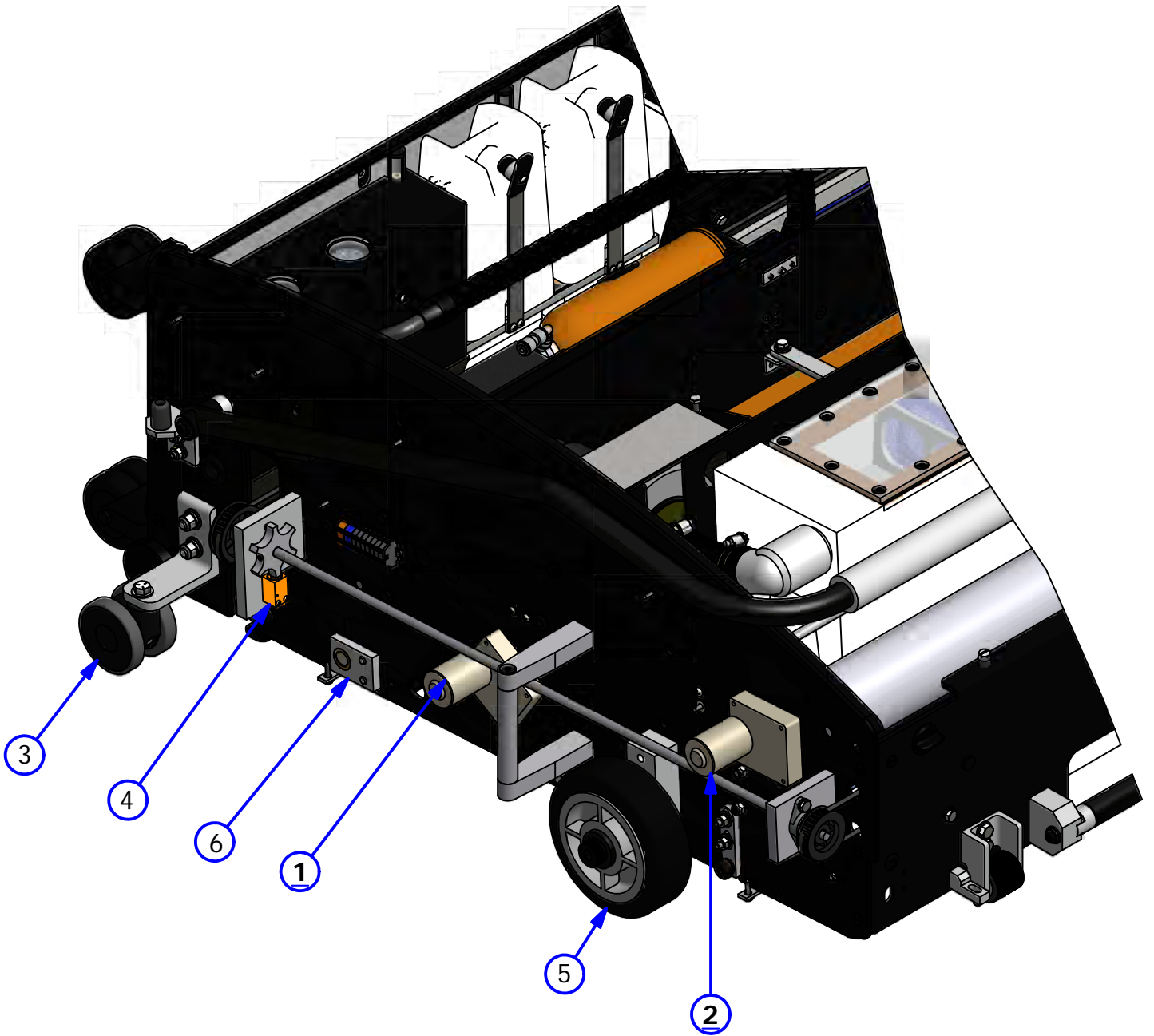
<u>INDEX NUMBER</u>	<u>QTY.</u>	<u>PART NUMBER</u>	<u>DESCRIPTION</u>	<u>UOM</u>
1	2	158-8403	ASSEMBLY - DUSTER MOTOR 24VDC	EA
2	1	164-8027	CLEANER PUMP ASSEMBLY - CONCENTRATE (UPGRADE ONLY)	EA
		164-8025	CLEANER TUBING #14 FOR SUPER CONCENTRATE	EA
		164-8026	CLEANER TUBING #16 FOR REG CONCENTRATE	EA
3	1	158-8402	BUFFER LOWERING MOTOR	EA
4	6	153-0001BK	CASTER ASSEMBLY (3 INCH DUAL WHEEL)- BLACK	EA
5	1	164-8032	HEAD DRIVE MOTOR ASSEMBLY	EA
6	2	158-7002	6" WHEEL ASSEMBLY	EA
7	1	164-9016	BUFFER BELT ASSEMBLY - STANDARD	EA
	1	164-9017	BUFFER BELT ASSEMBLY - VARIABLE BUFF UPGRADE	EA
8	1	153-8039	BUFFER IDLER PULLEY	EA



RIGHT SIDE - FLEX

REV. 1/20

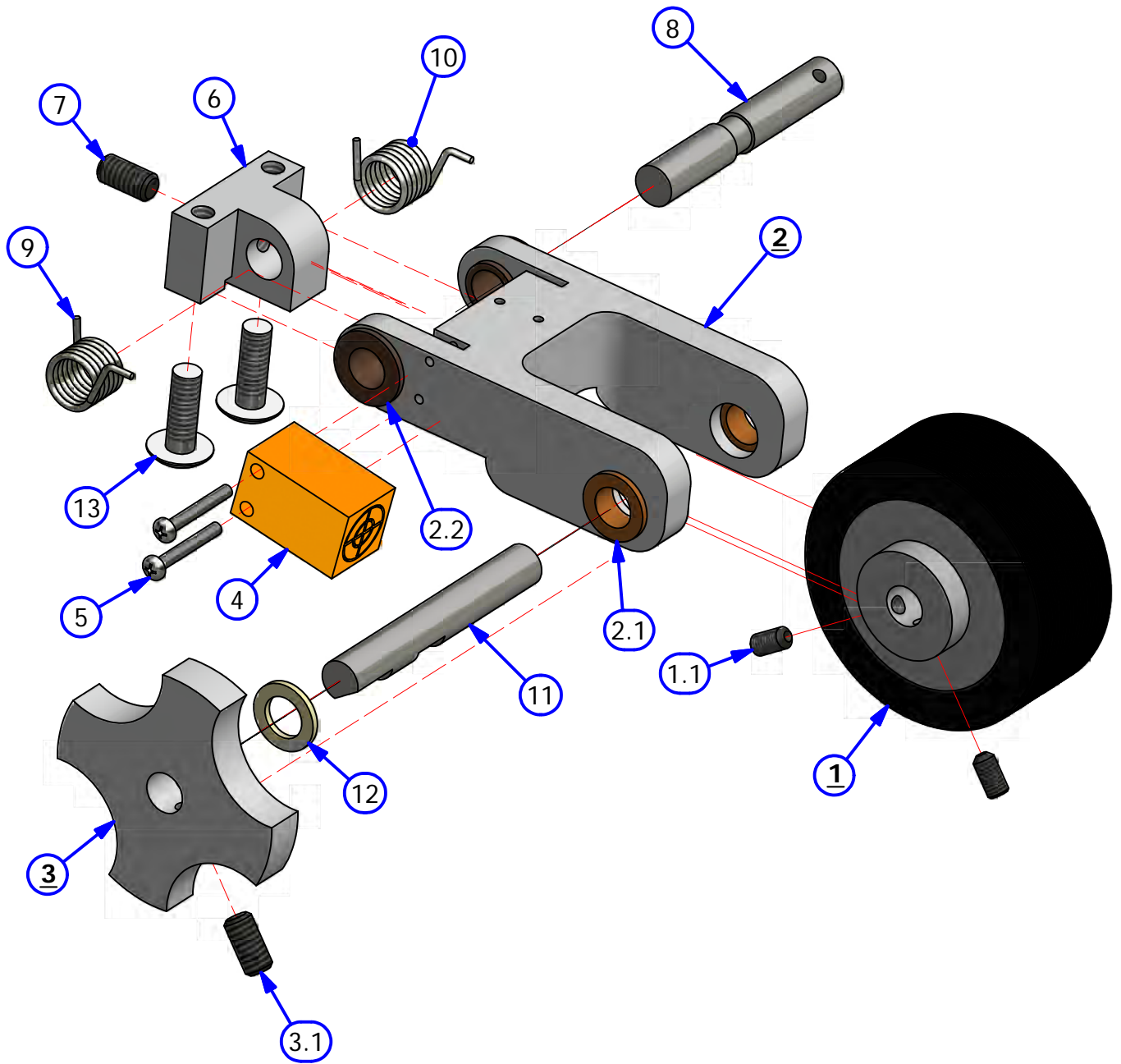
<u>INDEX NUMBER</u>	<u>QTY.</u>	<u>PART NUMBER</u>	<u>DESCRIPTION</u>	<u>UOM</u>
1	2	158-8402	SQUEEGEE / BRUSH LIFT MOTOR - 24VDC	EA
2	2	158-8403	DUSTER MOTOR ASSEMBLY - 24VDC	EA
3	2	164-0022	CASTER ASSEMBLY (3 INCH DUAL WHEEL)- BLACK	EA
4	1	154-1220	PROXIMITY SENSOR	EA
5	2	158-7002	6" WHEEL ASSEMBLY	EA
	2	164-2074	HHCS 1/2-13 X 3 1/2"	EA
	2	153-2007	FLAT WASHER 1/2"	EA
	2	153-2017	LOCK WASHER	EA
6	2	164-8216	REAR DRIVE SHAFT BLOCK	EA



LDS ASSEMBLY - FLEX

REV. 1/16

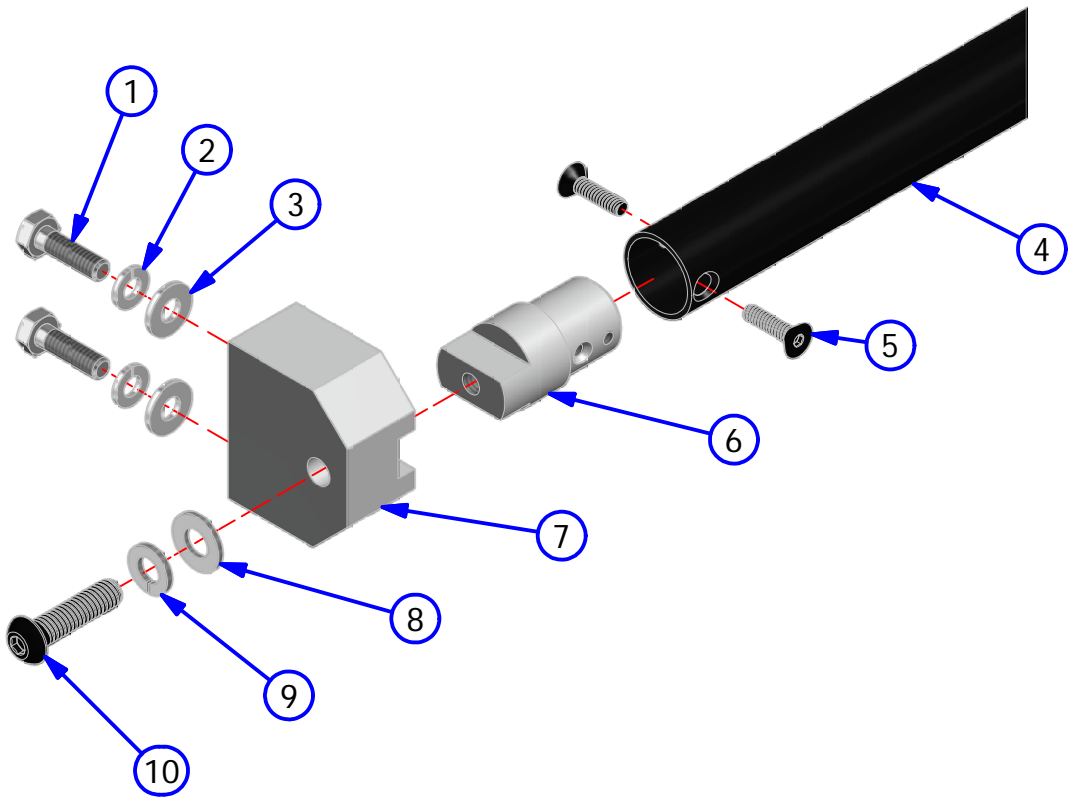
<u>INDEX</u> <u>NUMBER</u>	<u>QTY.</u>	<u>PART</u> <u>NUMBER</u>	<u>DESCRIPTION</u>	<u>UOM</u>
1	1	164-7001A	LDS WHEEL ASSEMBLY	
1.1	2	153-2201	SET SCREW - 10-32 X 3/8	EA
2	1	164-8052	LDS ARM ASSEMBLY	EA
2.1	2	153-9803	FLANGED BUSHING (3/8 X 1/2 X 1/4)	EA
2.2	2	153-9402	FLANGED BUSHING (3/8 x 1/2 x 1/2)	EA
3	1	164-6131A	FLEX LDS DISK	EA
3.1	1	153-2051	SET SCREW - 1/4-20 X 1/2	EA
4	1	154-1220	INDUCTIVE PROXIMITY SENSOR (TL-Q5MC1)	EA
5	2	153-2216A	MS PHILLIPS - 4-40 X 7/8	EA
6	1	164-6128	LDS ARM MOUNT	EA
7	1	153-2051	SET SCREW - 1/4-20 X 1/2	EA
8	1	164-6129	LDS ARM SHAFT	EA
9	1	153-2944	TORSION SPRING - RH	EA
10	1	153-2945	TORSION SPRING - LH	EA
11	1	164-6130	LDS WHEEL SHAFT	EA
12	1	153-2009	NYLON FLAT WASHER (3/8 - 0.060)	EA
13	2	153-2924	MS PHILLIPS - 1/4-20 X 3/4 TRUSS HEAD	EA



FRONT HANDLE ASSEMBLY - FLEX

REV. 3/16

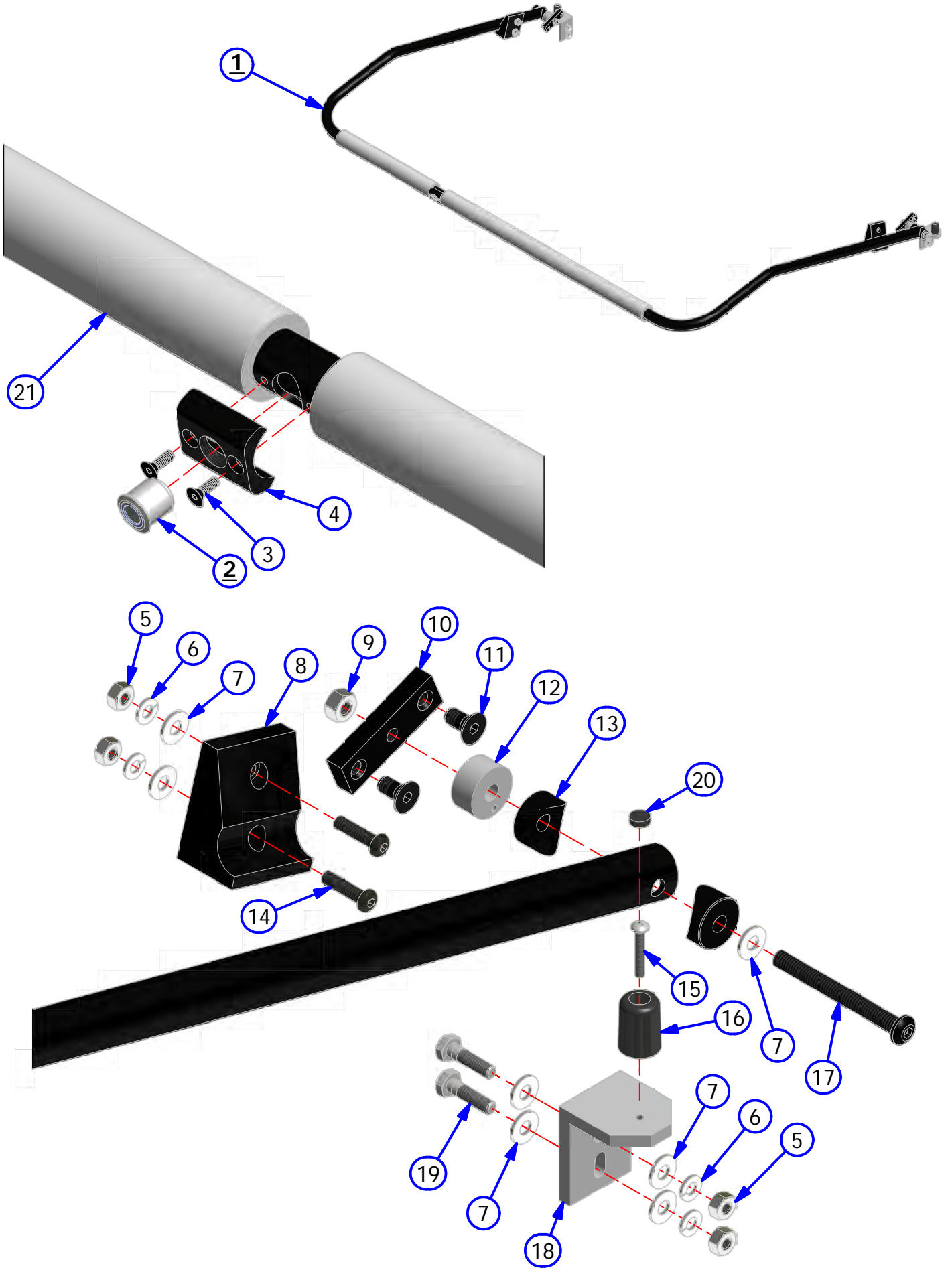
<u>INDEX</u> <u>NUMBER</u>	<u>QTY.</u>	<u>PART NUMBER</u>	<u>DESCRIPTION</u>	<u>UOM</u>
1	4	153-2052	HHCS - 1/4-20 X 7/8	EA
2	4	153-2014	1/4 LOCKWASHER	EA
3	4	153-2004	1/4 FLATWASHER	EA
4	1	164-8073F	FRONT HANDLE - COMPLETE ASSY	EA
5	4	153-2996	SCREW - FHCS 10-24 X 3/4 BLACK OXIDE	EA
6	2	164-6072	FRONT HANDLE PLUG	EA
7	2	164-6087	FRONT HANDLE BRACKET	EA
8	2	153-2005	5/16 FLATWASHER	EA
9	2	153-2015	5/16 LOCKWASHER	EA
10	2	164-2045	BHSCS 5/16-18 X 1-1/4	EA



HANDLE ASSEMBLY - FLEX

REV. 3/16

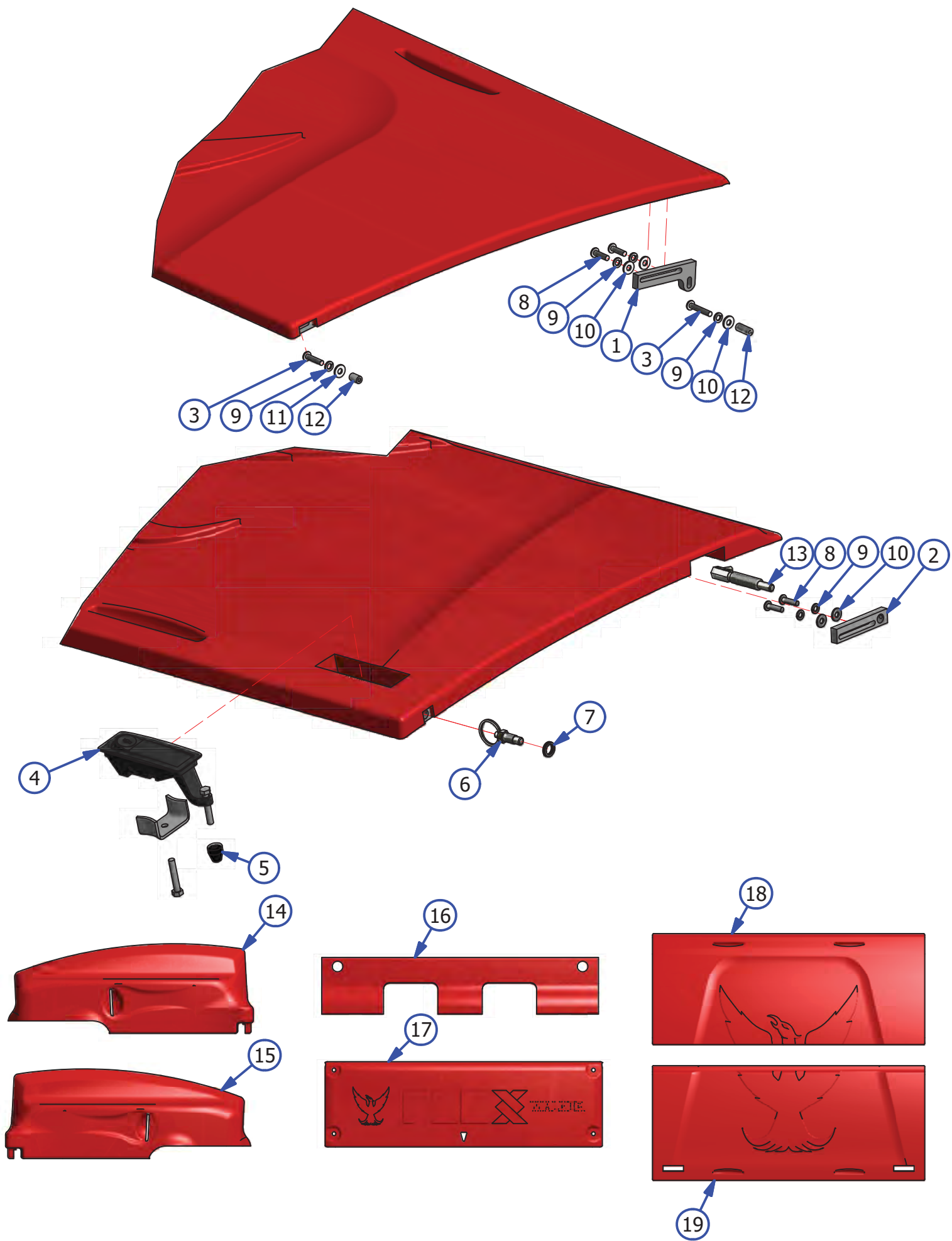
<u>INDEX</u> <u>NUMBER</u>	<u>QTY.</u>	<u>PART</u> <u>NUMBER</u>	<u>DESCRIPTION</u>	<u>UOM</u>
1	1	164-8012	HANDLE ASSEMBLY (COMPLETE)	EA
2	1	164-8013	HANDLE BUTTON REPLACEMENT ASSEMBLY (W/WIRES)	EA
3	2	158-2003	SCREW 8-32 X 1/2 FHCS BLK OXIDE	EA
4	1	164-6083	BUTTON COLLAR	EA
5	8	153-2023	1/4-20 HEX NUT	EA
6	8	153-2014	1/4 LOCKWASHER	EA
7	14	153-2004	1/4 FLATWASHER	EA
8	2	164-6057	HANDLE CATCH	EA
9	2	153-2116	NYLOCK - 5/16-18	EA
10	2	164-6084	FLEX HANDLE MOUNT	EA
11	4	153-2802	FHSS - 5/16-18 X 5/8	EA
12	2	164-6058	FLEX HANDLE SPACER	EA
13	4	164-2001	UNTHREADED CURVED SPACER BLACK	EA
14	4	153-2053A	BHSS - 1/4-20 X 1	EA
15	2	153-2089	MS PHILLIPS - 8-32 X 1	EA
16	2	164-8213	RUBBER BUMPER-3/4 DIA X 1 HIGH	EA
17	2	164-2028	BHSCS 5/16-18 X 3 FULL THREAD	EA
18	2	164-6081	FLEX HANDLE BUMPER MT	EA
19	4	153-2053	HHCS - 1/4-20 X 1	EA
20	2	164-6946	POLYURETHANE BUMPER PLUG	EA
21	1	164-8006	HANDLE GRIP - 12 INCH	EA



LID AND COVER ASSEMBLY - FLEX WALKER

REV. 3/16

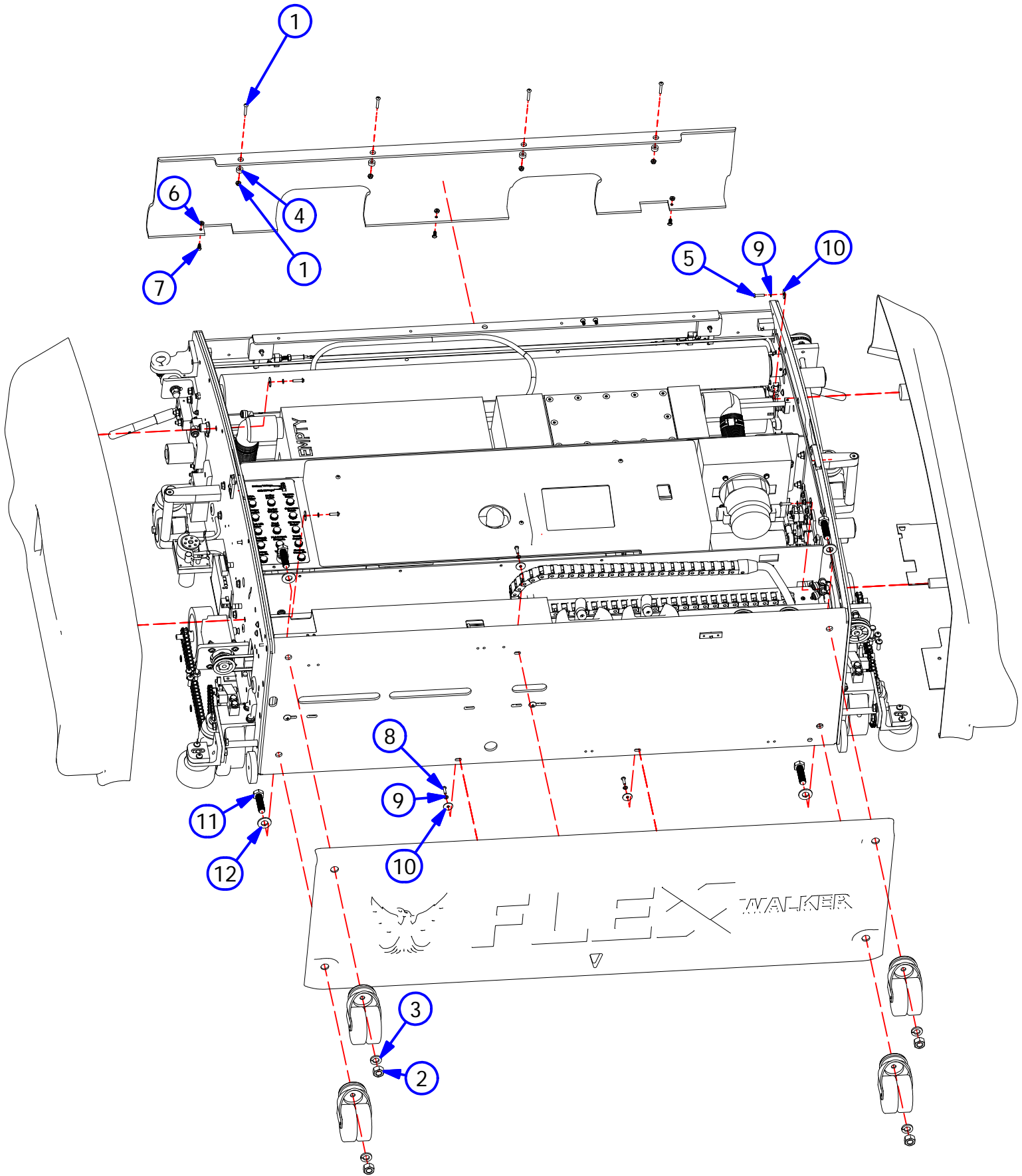
<u>INDEX</u>				
<u>NUMBER</u>	<u>QTY.</u>	<u>PART NUMBER</u>	<u>DESCRIPTION</u>	<u>UOM</u>
1	2	164-6234	SLIDING LID MOUNT (CLEANING LID)	EA
2	2	164-6233	SLIDING LID MOUNT (CONDITIONING LID)	EA
3	4	164-2072	SHCS 8-32 X 3/4 THREAD LOCKING PATCH	EA
4	2	153-2232L	FLUSH MOUNT LID LATCH (WITH LOCK)	EA
5	2	164-6164	LID LATCH BUMPER	EA
6	2	164-2002	DETENT - SPRING PLUNGER	EA
7	2	164-2041	SHIM FOR SCREW SHOULDER	EA
8	8	153-2086	MS PHILLIPS 8-32 X 5/8	EA
9	12	153-2002	FLAT WASHER #8	EA
10	12	153-2013	LOCK WASHER #10	EA
11	2	164-2044	STANDOFF FEMALE THREADED 8-32 X 3/8	EA
12	2	164-2071	STANDOFF FEMALE THREADED	EA
13	2	164-2069	SPRING PLUNGER THREADED	EA
14	1	164-8232	FLEX WALKER LT SIDE GUARD - WHITE	EA
	1	164-8232-1525	FLEX WALKER LT SIDE GUARD - BLUE	EA
	1	164-8232-2850	FLEX WALKER LT SIDE GUARD - BLACK	EA
	1	164-8232-2911	FLEX WALKER LT SIDE GUARD - RED	EA
15	1	164-8233	FLEX WALKER RT SIDE GUARD - WHITE	EA
	1	164-8233-1525	FLEX WALKER RT SIDE GUARD - BLUE	EA
	1	164-8233-2850	FLEX WALKER RT SIDE GUARD - BLACK	EA
	1	164-8233-2911	FLEX WALKER RT SIDE GUARD - RED	EA
16	1	164-8236	FRONT BUMPER - WHITE	EA
	1	164-8236-1525A	FRONT BUMPER - BLUE	EA
	1	164-8236-2850A	FRONT BUMPER - BLACK	EA
	1	164-8236-2911A	FRONT BUMPER - RED	EA
17	1	164-8049	FLEX BACK PANEL - WHITE	EA
	1	164-8049-1525	FLEX BACK PANEL - BLUE	EA
	1	164-8049-2850	FLEX BACK PANEL - BLACK	EA
	1	164-8049-2911	FLEX BACK PANEL - RED	EA
18	1	164-8230	SLIDING CLEANER COMPARTMENT LID - WHITE	EA
	1	164-8231-2850	SLIDING CLEANER COMPARTMENT LID - BLACK	EA
	1	164-8230-2911	SLIDING CLEANER COMPARTMENT LID - RED	EA
	1	164-8230-1525	SLIDING CLEANER COMPARTMENT LID - BLUE	EA
19	1	164-8231	SLIDING LID ASSEMBLY - WHITE	EA
	1	164-8231-2850	SLIDING LID ASSEMBLY - BLACK	EA
	1	164-8231-2911	SLIDING LID ASSEMBLY - RED	EA



PANEL EXPLOSION - FLEX WALKER

REV. 3/16

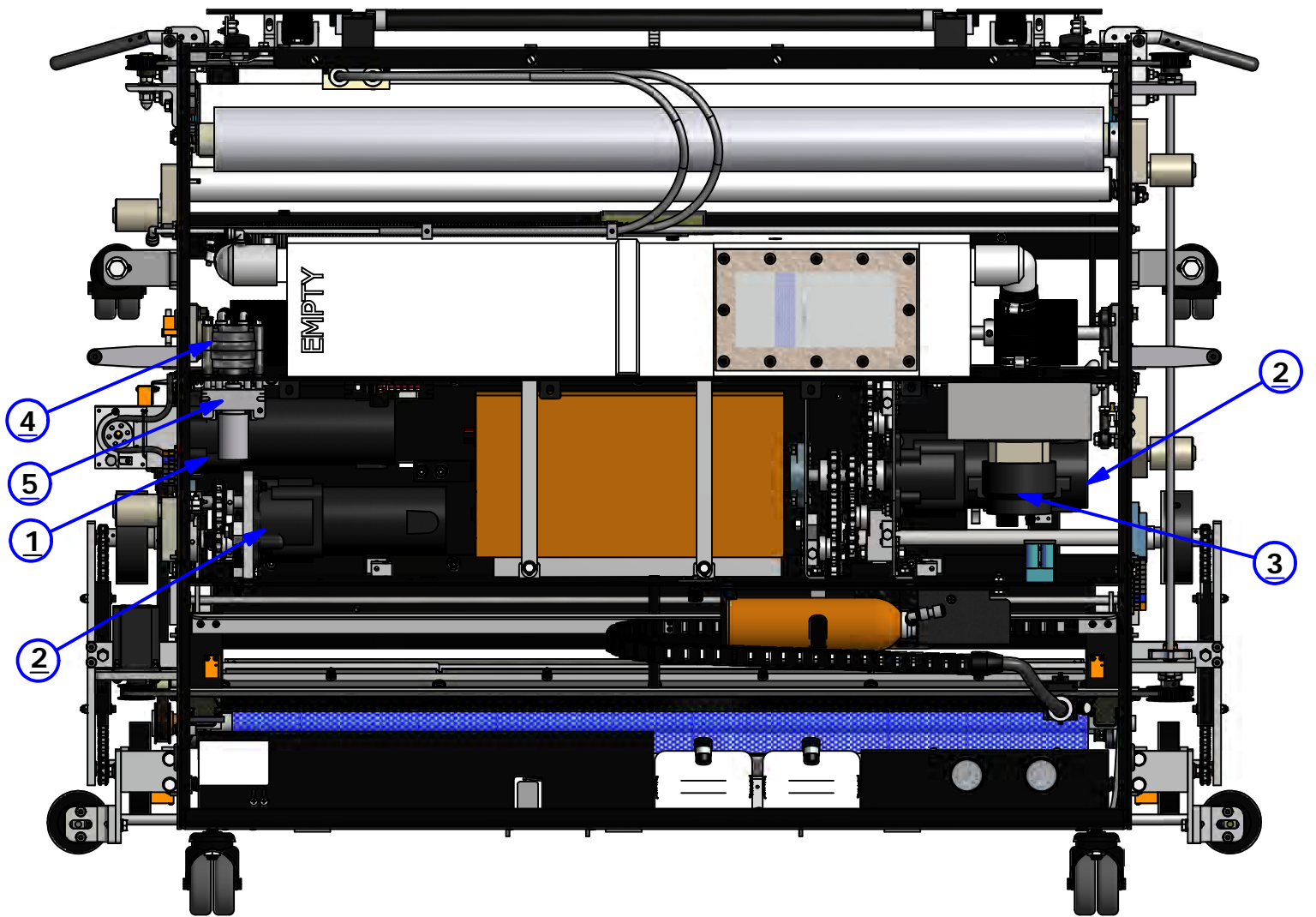
<u>INDEX</u> <u>NUMBER</u>	<u>QTY.</u>	<u>PART</u> <u>NUMBER</u>	<u>DESCRIPTION</u>	<u>UOM</u>
1	4	164-2066	BINDING POST	EA
2	4	153-2026	HEX NUT - 1/2-13	EA
3	4	153-2017	1/2 LOCKWASHER	EA
4	4	164-2038	RUBBER BUMPER SBR	EA
5	4	153-2087	MS PHILLIPS - 8-32 X 3/4	EA
6	3	164-2051	THIN HEX LOCKNUT - 8-32	EA
7	3	153-2817	FHMS-8-32 X 1/2	EA
8	7	153-2086	MS PHILLIPS - 8-32 X 5/8	EA
9	11	153-2013	#10 LOCKWASHER	EA
10	11	153-2953	FENDER WASHER - #8	EA
11	4	164-2039	HHCS 1/2-13 X 1 3/4 GRADE 5	EA
12	4	153-2007	1/2 FLATWASHER	EA



TOP VIEW - FLEX WALKER

REV. 1/18

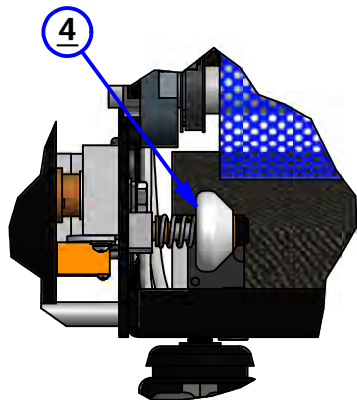
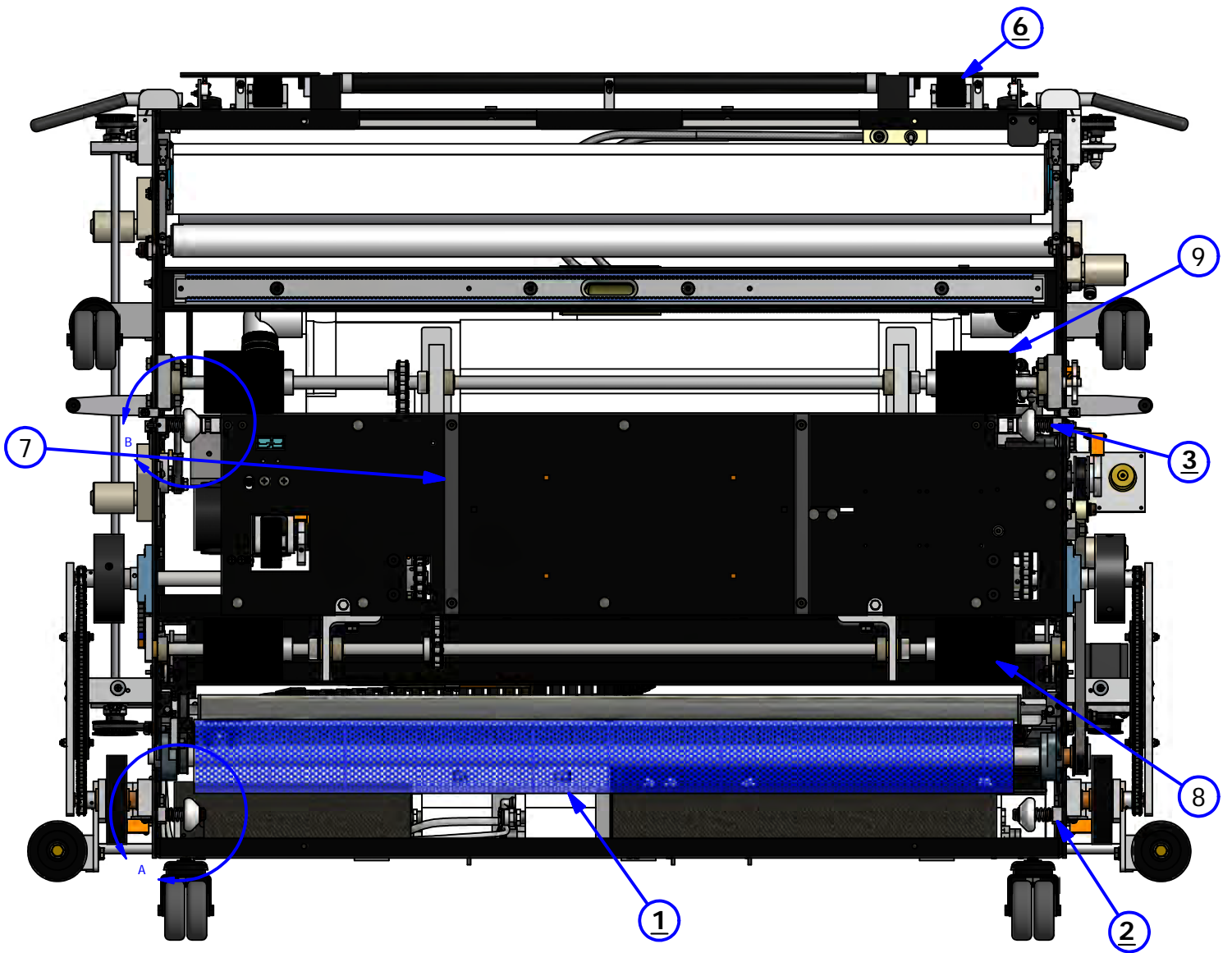
<u>INDEX NUMBER</u>	<u>QTY.</u>	<u>PART NUMBER</u>	<u>DESCRIPTION</u>	<u>UOM</u>
1	1	158-8414	BUFFER MOTOR - 24VDC - 500RPM - STANDARD	EA
	1	158-1406B	BUFFER MOTOR BRUSHES (PAIR)	PR
	1	164-9016	BUFFER BELT	EA
	1	158-9401	PULLEY (14 TOOTH 1/2" BORE)	EA
1	1	164-8014	BUFFER MOTOR - 24VDC - 700RPM - VARIABLE BUFFER	EA
	1	158-1405B	BUFFER MOTOR BRUSHES (PAIR)	PR
	1	164-9017	BUFFER MOTOR BELT	EA
	1	164-9014A	BUFFER MOTOR PULLEY ASSEMBLY	EA
2	1	164-8217M	RIGHT MAIN DRIVE MOTOR 24V	EA
2	1	158-8602	LEFT DRIVE MOTOR 24V	EA
	1	158-1405B	DRIVE MOTOR BRUSHES (PAIR)	PR
	1	154-9601	CHAIN (FOR 153-9002, INSIDE AND OUTSIDE SPROCKET)	EA
	1	153-9444	CHAIN (FOR 153-9003, MIDDLE SPROCKET)	EA
	1	153-9047	MASTER LINK #40	EA
	1	153-9048	OFFSET LINK #40	EA
	1	153-9002	SPROCKET - 40B13 (5/8 IN) INSIDE AND OUTSIDE SPROCKET	EA
	1	153-9003	SPROCKET - 40B10 (5/8 IN) INSIDE AND OUTSIDE SPROCKET	EA
	3	1	158-8407	VACUUM MOTOR - 24VDC
4	1	158-8404D	CLEANER PUMP ASSEMBLY	EA
	1	154-0861B	NORPRENE TUBING FOR CLEANER PUMP ASSEMBLY	EA
5	1	158-8404	CLEANER PUMP MOTOR - 24VDC	EA



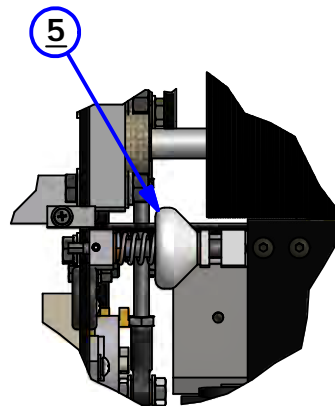
BOTTOM - FLEX WALKER

REV. 1/16

<u>INDEX</u> <u>NUMBER</u>	<u>QTY.</u>	<u>PART</u> <u>NUMBER</u>	<u>DESCRIPTION</u>	<u>UOM</u>
1	1	164-8001	BUFFER BRUSH ASSEMBLY	EA
	1	164-9016	BUFFER BELT ASSEMBLY NON-VARIABLE	EA
	1	154-9617	BUFFER BELT ASSEMBLY - VARIABLE BUFF	EA
2	2	158-8642	REAR GUIDE WHEEL ASSEMBLY - COMPLETE	EA
	2	153-2407	SHOULDER BOLT 3/8 X 1 3/4	EA
	2	153-2978	SPRING - COMPRESSION FOR GUIDE WHEEL	EA
	2	158-8636	GUIDE WHEEL ASSEMBLY - REAR	EA
3	2	158-8643	FRONT GUIDE WHEEL ASSEMBLY - COMPLETE	EA
3.1	2	153-9803	FLANGED BUSHING - 3/8 X 1/2 X 3/4	EA
3.2	2	153-2978	SPRING - COMPRESSION FOR GUIDE WHEEL	EA
3.3	2	158-8637	GUIDE WHEEL ASSEMBLY - REAR	EA
4	2	158-8636	GUIDE WHEEL ASSEMBLY - REAR (WHEEL ONLY)	EA
5	2	158-8637	GUIDE WHEEL ASSEMBLY - FRONT (WHEEL ONLY)	EA
6	2	153-7005R	MOMENTARY WHEEL ASSEMBLY (WHEEL ONLY)	EA
	2	153-6006	MOMENTARY WHEEL SHAFT	EA
	2	164-6053	MOMENTARY WHEEL HOUSING ASSEMBLY	EA
7	2	153-9803	SKID GUIDE	EA
8	2	153-7002AA	LDS/DRIVE WHEEL	EA
9		153-7013	DRIVE WHEEL	EA



DETAIL A

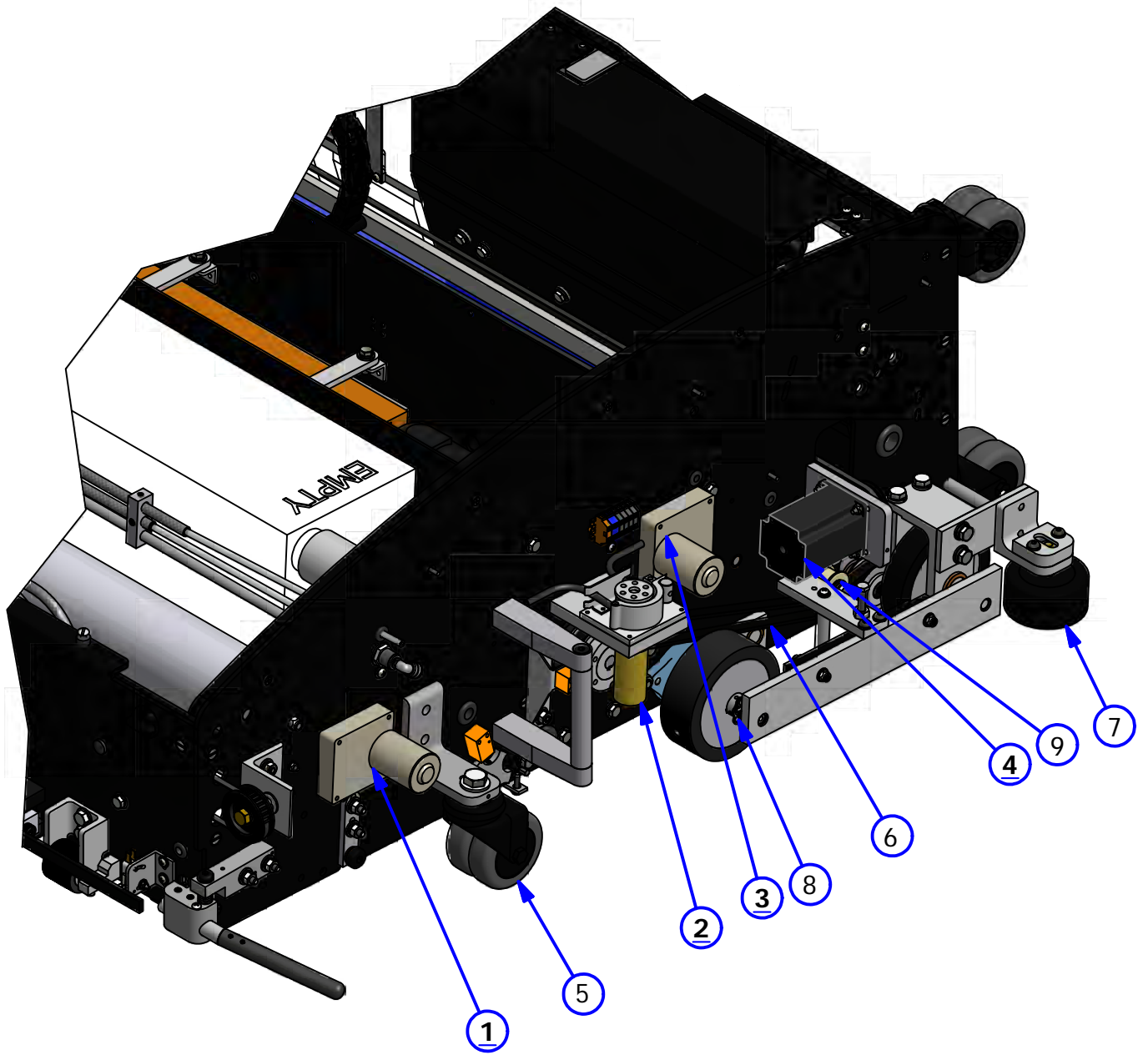


DETAIL B

LEFT SIDE - FLEX WALKER

REV. 1/16

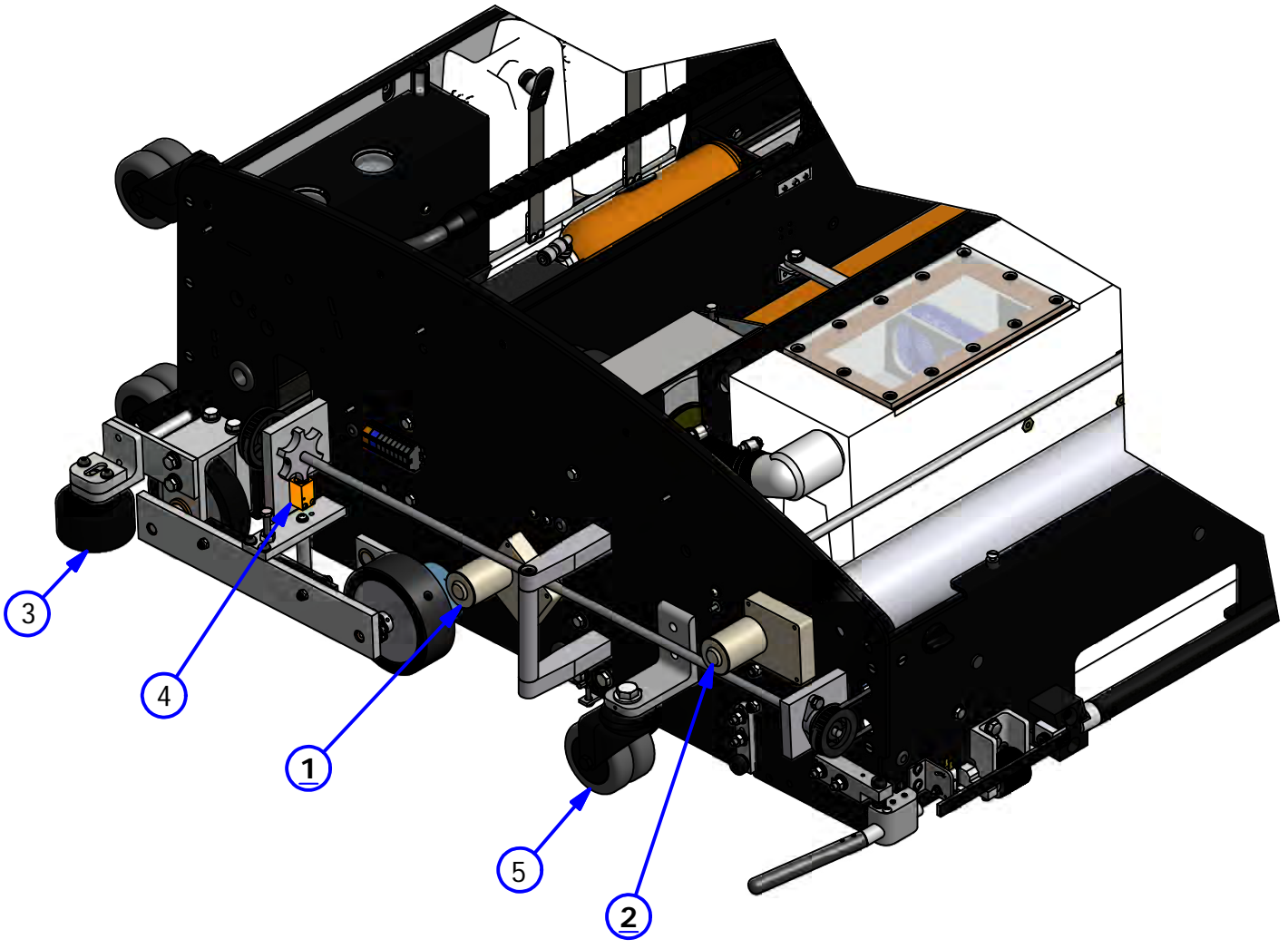
<u>INDEX NUMBER</u>	<u>QTY.</u>	<u>PART NUMBER</u>	<u>DESCRIPTION</u>	<u>UOM</u>
1	2	158-8403	ASSEMBLY - DUSTER MOTOR 24VDC	EA
2	1	164-8027	CLEANER PUMP ASSEMBLY - CONCENTRATE (UPGRADE ONLY)	EA
		164-8025	CLEANER TUBING #14 FOR SUPER CONCENTRATE	EA
		164-8026	CLEANER TUBING #16 FOR REG CONCENTRATE	EA
3	1	158-8402	BUFFER LOWERING MOTOR	EA
4	1	164-8032	HEAD DRIVE MOTOR ASSEMBLY	EA
5	6	153-0001BK	CASTER ASSEMBLY (3 INCH DUAL WHEEL)- BLACK	EA
6	1	164-9016	BUFFER BELT ASSEMBLY - STANDARD	EA
	1	164-9017	BUFFER BELT ASSEMBLY - VARIABLE BUFF UPGRADE	EA
7	2	153-7203	BUMPER WHEEL ASSEMBLY	EA
8	1	164-9005	#35 CHAIN ZTR KICKUP	EA
	1	153-9046	MASTER LINK #35 (NOT SHOWN)	EA
9	1	153-8039	BUFFER IDLER PULLEY	EA



RIGHT SIDE - FLEX WALKER

REV. 1/16

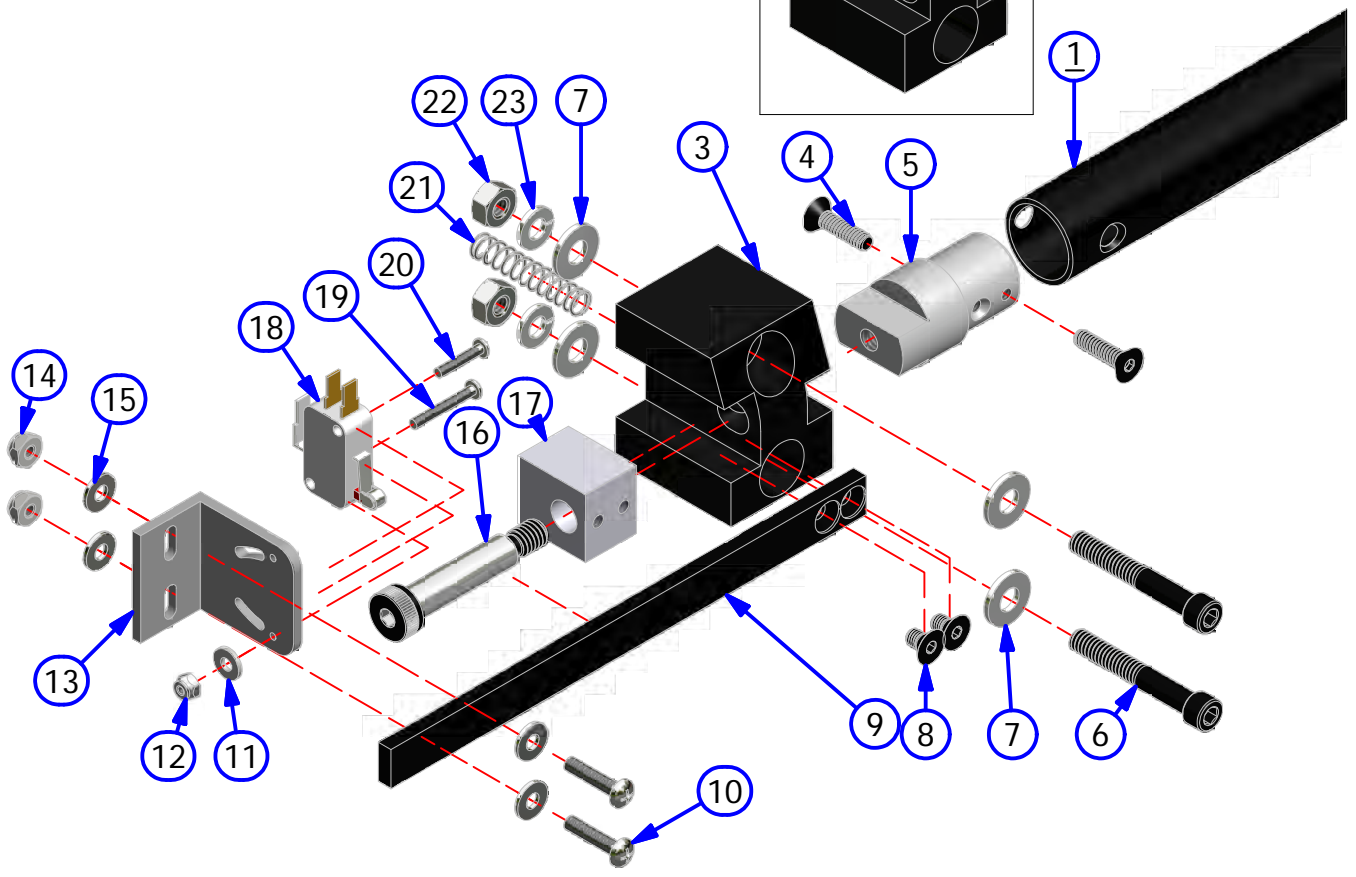
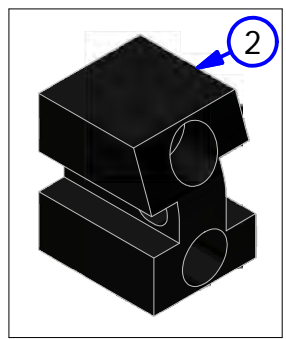
<u>INDEX NUMBER</u>	<u>QTY.</u>	<u>PART NUMBER</u>	<u>DESCRIPTION</u>	<u>UOM</u>
1	2	158-8402	SQUEEGEE/BRUSH LIFT MOTOR - 24VDC	EA
2	1	158-8403	DUSTER MOTOR ASSEMBLY - 24VDC	EA
3	1	153-7203	BUMPER WHEEL	EA
4	2	154-1220	PROXIMITY SENSOR	EA
5	6	153-0001BK	CASTER ASSEMBLY (3 INCH DUAL WHEEL)- BLACK	EA



FRONT HANDLE ASSEMBLY - FLEX WALKER

REV. 1/16

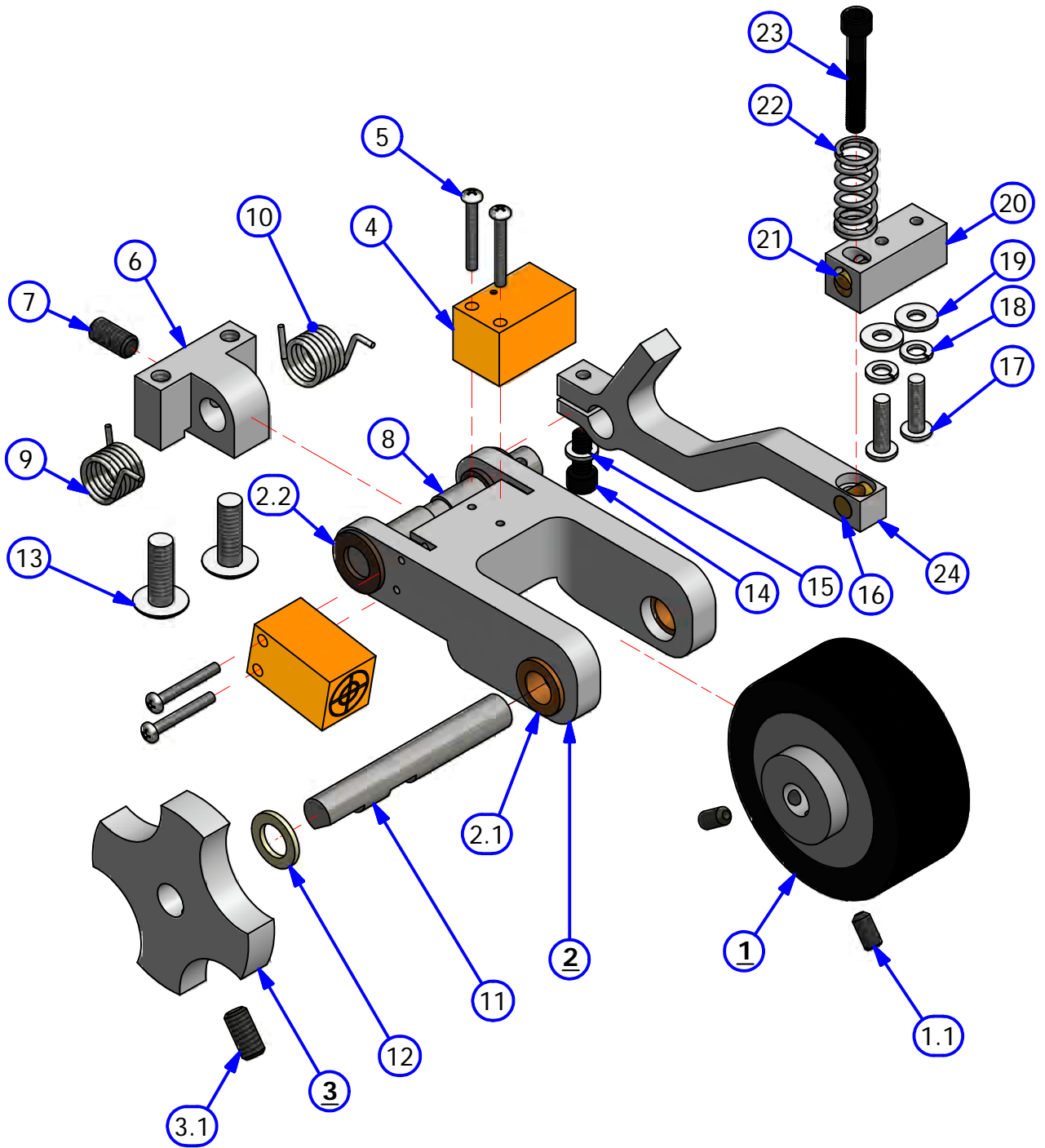
<u>INDEX</u>				
<u>NUMBER</u>	<u>QTY.</u>	<u>PART NUMBER</u>	<u>DESCRIPTION</u>	<u>UOM</u>
1	1	164-8073	FRONT HANDLE ASSEMBLY	EA
2	1	164-6069	FLEX FRONT HANDLE BLOCK (LT)	EA
3	1	164-6068	FLEX FRONT HANDLE BLOCK (RT)	EA
4	4	153-2996	SCREW - FHCS 10-24 X 3/4 BLACK OXIDE	EA
5	2	164-6072	FRONT HANDLE PLUG	EA
6	4	164-2009	SHCS-1/4-20	EA
7	8	153-2004	1/4 FLATWASHER	EA
8	4	164-2017	FHSCS-10-32 X 5/16	EA
9	2	164-6071	BUMPER ARM	EA
10	4	153-2087	MS PHILLIPS - 8-32 X 3/4	EA
11	2	153-2001	#6 FLATWASHER	EA
12	2	153-2231	LOCKNUT - 4-40	EA
13	2	164-6032	FLEX BUMPER SWITCH BRACKET	EA
14	4	153-2019	LOCKNUT - 8-32 (NYLOK)	EA
15	8	153-2002	#8 FLATWASHER	EA
16	2	164-2008	SHOULDER BOLT 3/8 X 1-1/2 5/16-18	EA
17	2	164-6070	BUMPER BAR BLOCK	EA
18	2	153-1203	MICROSWITCH W/ROLLER	EA
19	2	153-2216A	MS PHILLIPS - 4-40 X 7/8	EA
20	2	153-2216	MS PHILLIPS - 4-40 X 5/8	EA
21	2	164-2010	SPRING-0.300 OD X 1.50	EA
22	4	153-2023	1/4-20 HEX NUT	EA
23	4	153-2014	1/4 LOCKWASHER	EA



LDS ASSEMBLY - FLEX WALKER

REV. 3/14

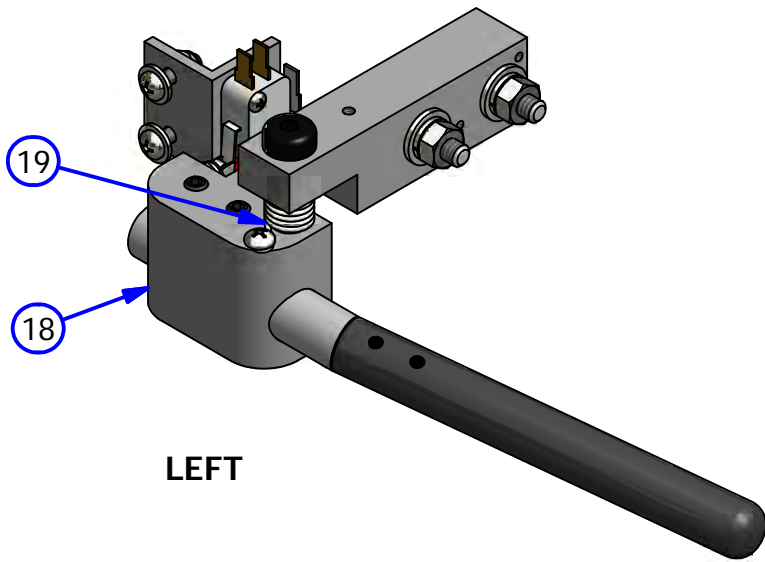
<u>INDEX</u> <u>NUMBER</u>	<u>QTY.</u>	<u>PART</u> <u>NUMBER</u>	<u>DESCRIPTION</u>	<u>UOM</u>
1	1	164-7001	LDS WHEEL ASSEMBLY	
1.1	2	153-2201	SET SCREW - 10-32 X 3/8	EA
2	1		LDS ARM ASSEMBLY	EA
2.1	2	153-9803	FLANGED BUSHING (3/8 X 1/2 X 1/4)	EA
2.2	2	154-9617	FLANGED BUSHING (3/8 x 1/2 x 3/8)	EA
3	1		FLEX LDS DISK	EA
3.1	1	153-2051	SET SCREW - 1/4-20 X 1/2	EA
4	2	154-1220	INDUCTIVE PROXIMITY SENSOR (TL-Q5MC1)	EA
5	2	153-2216A	MS PHILLIPS - 4-40 X 7/8	EA
6	1	164-6128	LDS ARM MOUNT	EA
7	1	153-2051	SET SCREW - 1/4-20 X 1/2	EA
8	1	164-6129	LDS ARM SHAFT	EA
9	1	153-2944	TORSION SPRING - RH	EA
10	1	153-2945	TORSION SPRING - LH	EA
11	1	164-6130	LDS WHEEL SHAFT	EA
12	1	153-2009	NYLON FLAT WASHER (3/8 - 0.060)	EA
13	2	153-2924	MS PHILLIPS - 1/4-20 X 3/4 TRUSS HEAD	EA
14	1	153-2121	OXIDE ALLOY STL SHCS 10-24 X 1/2	EA
15	2	153-2013	LOCK WASHER #10	EA
16	1	164-6207	BRASS THREAD ROD	EA
17	2	153-2086	MS PHILLIPS 8-32 X 5/8	EA
18		153-2013	LOCK WASHER #10	EA
19	2	153-2002	FLAT WASHER #8	EA
20	1	164-6205	OLS ACTUATOR MOUNT	EA
21	1	164-6206	BRASS THRU ROD	EA
22	1	153-2093	SPRING - .42 OD X .75	EA
23	1	164-2059	SHCS 10-32 X 1 1/4	EA
24	1	164-6204	OLS ACTUATOR	EA



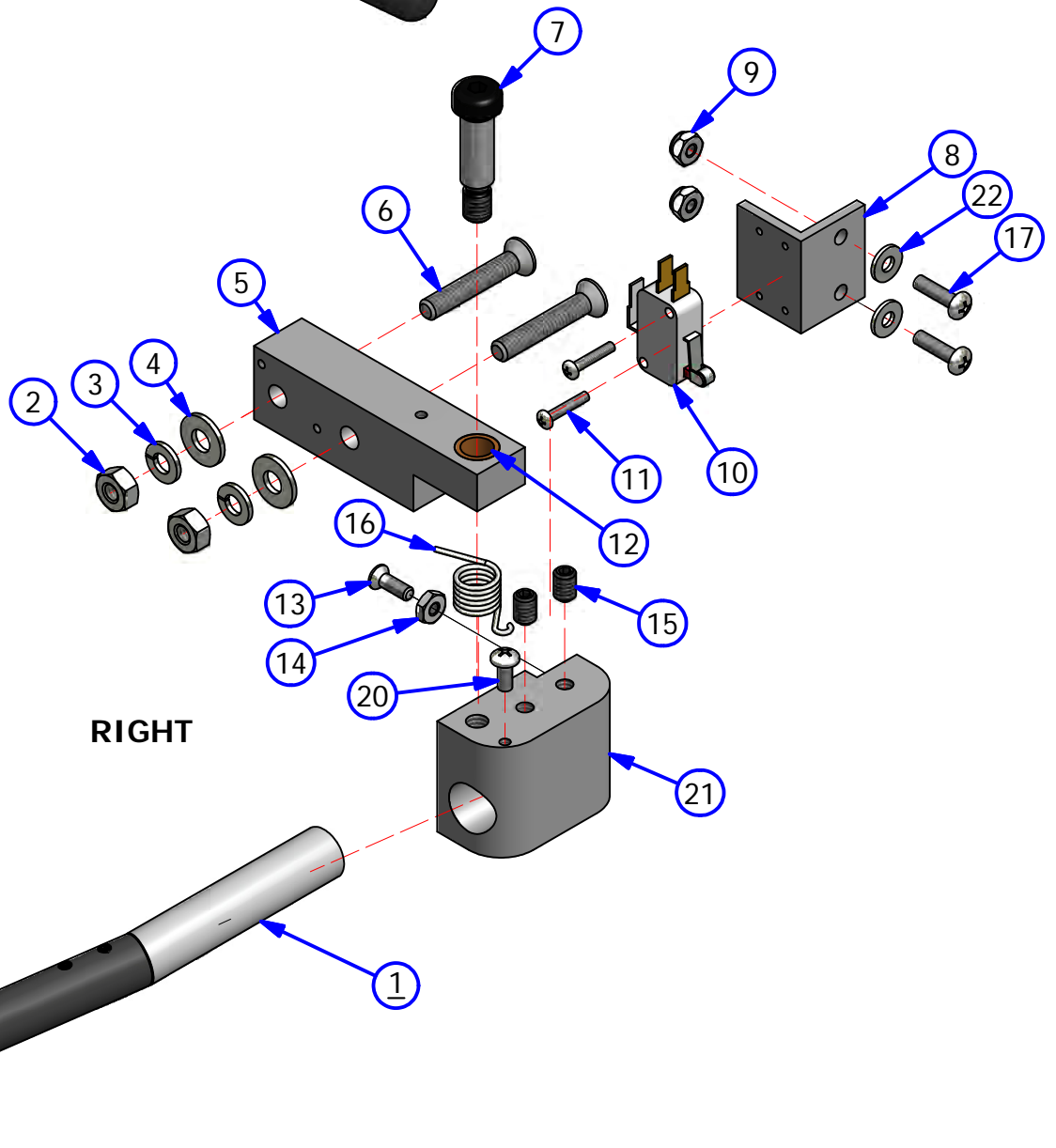
WHISKER ASSEMBLY

REV. 1/16

<u>INDEX</u> <u>NUMBER</u>	<u>QTY.</u>	<u>PART</u> <u>NUMBER</u>	<u>DESCRIPTION</u>	<u>UOM</u>
<u>1</u>	1	164-8660A	FLEX WHISKER TUBE ASSEMBLY	EA
2	4	153-2023	1/4-20 HEX NUT	EA
3	4	153-2014	1/4 LOCKWASHER	EA
4	4	153-2004	1/4 FLATWASHER	EA
5	2	158-8611	WHISKER BEARING BLOCK ASSEMBLY WITH BUSHING	EA
6	4	153-2227A	FHMS - 1/4-20 X 1-1/2	EA
7	2	153-2739	SHOULDER BOLT 3/8 IN DIA 1" LONG	EA
8	2	158-6641	WHISKER SWITCH MOUNT PLATE	EA
9	4	153-2231	LOCKNUT - 4-40	EA
10	2	153-1203	MICROSWITCH W/ROLLER	EA
11	4	153-2216A	MS PHILLIPS - 4-40 X 7/8	EA
12	2	154-9212	BUSHING ONLY	EA
13	2	153-2817	FLAT HEAD PHILLIPS - 8-32 X 1/2	EA
14	2	153-2414	HEX NUT - 8-32	EA
15	4	153-2051B	SET SCREW - 1/4-20 X 3/8	EA
16	1	153-2944	TORSION SPRING - RIGHT	EA
17	4	153-2086	MS PHILLIPS - 8-32 X 5/8	EA
18	1	164-6054	FLEX WHISKER BASE - LEFT	EA
19	1	153-2945	TORSION SPRING - LEFT	EA
20	2	153-2086A	MS PHILLIPS - 8-32 X 3/8	EA
21	1	164-6055	FLEX WHISKER BASE - RIGHT	EA
22	4	153-2002	FLAT WASHER #8	EA



LEFT

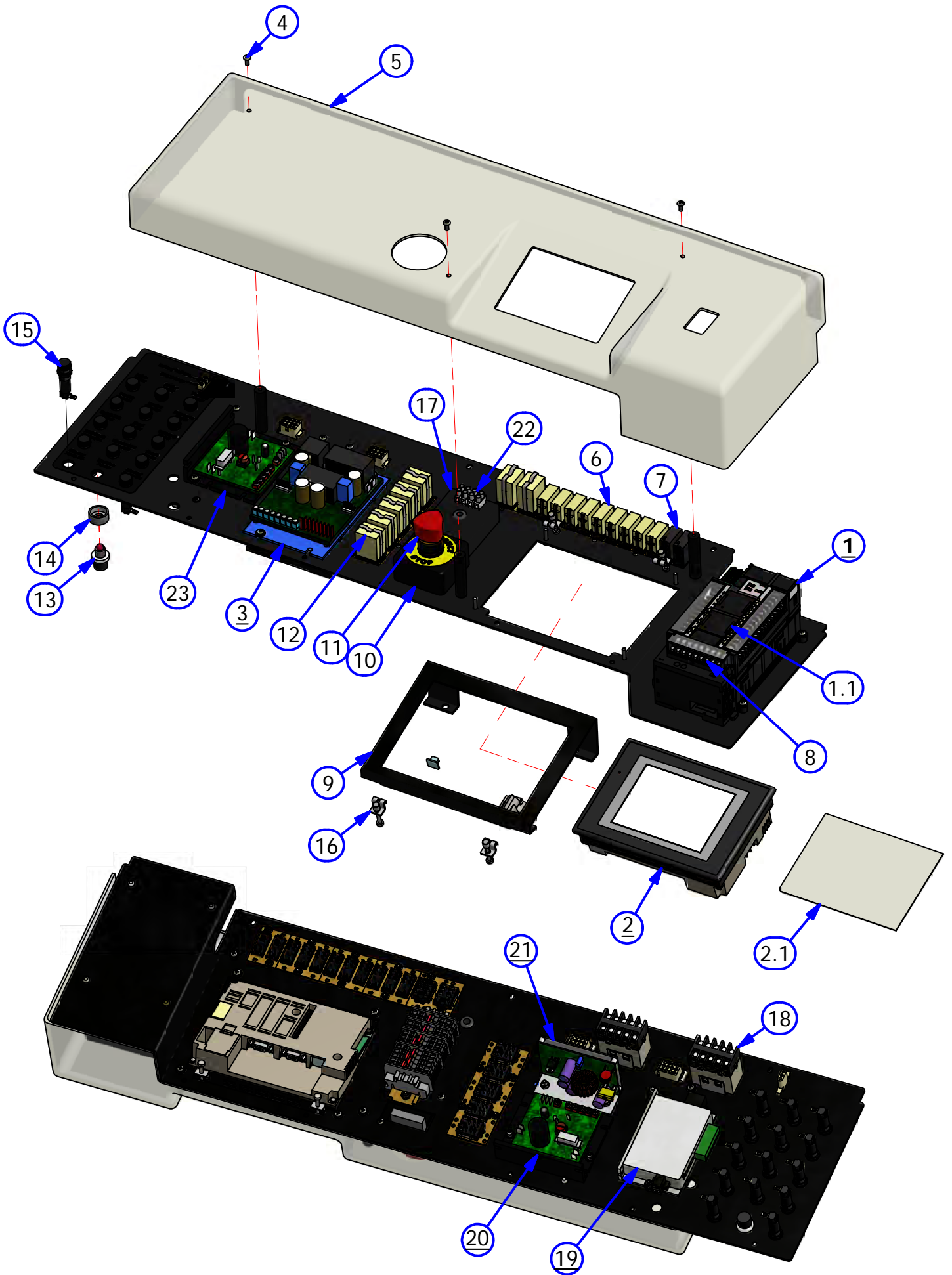


RIGHT

PLC PLATE ASSEMBLY

REV. 7/17

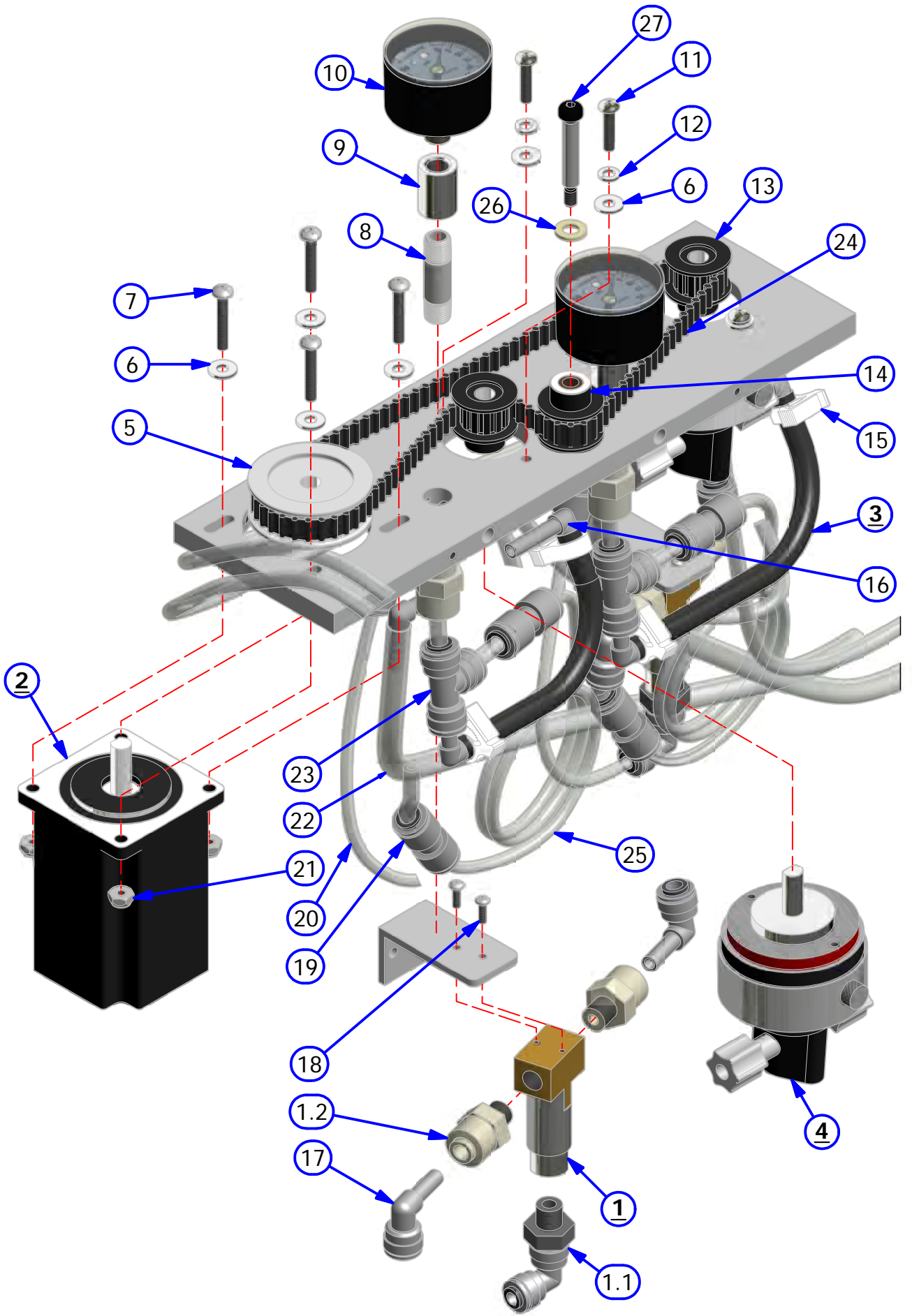
<u>INDEX</u> <u>NUMBER</u>	<u>QTY.</u>	<u>PART</u> <u>NUMBER</u>	<u>DESCRIPTION</u>	<u>UOM</u>
1	1	158-1610P	PLC FOR FLEX - SPECIFY SOFTWARE VERSION	EA
1.1	1	158-1610S	SERIAL CONVERTER FOR FLEX	EA
	1	158-1610D	CABLE TO TOUCHSCREEN - 24IN (NOT SHOWN)	EA
2	1	164-8011	TOUCH SCREEN ASSEMBLY	EA
2.1	1	158-1612	SCREEN PROTECTOR	EA
3	1	164-8010	SPEED CONTROL ASSEMBLY - DRIVE	EA
4	7	153-2086A	MS PHILLIPS - 8-32 X 3/8	EA
5	1	164-6062	CLEAR PC PLATE COVER	EA
6	6	158-1458	RELAY - OMRON 24DC DPDT GENERAL PURPOSE	EA
6.1	6	164-1204	RELAY BASE FOR RELAY 158-1458	EA
7	2	158-1460	RELAY SOLID STATE	EA
7.1	2	164-1206	RELAY BASE FOR RELAY 154-1460	EA
8	1	164-1217	ANALOG OUTPUT (Buffer and/or Cleaner Upgrade only)	EA
9	1	164-6730	TOUCH SCREEN MOUNT	EA
10	1	164-6161	E-STOP BOX	EA
11	1	164-8223	E-STOP SWITCH ASSEMBLY	EA
11.1	1	164-1223B	BREAKER FOR ESTOP	EA
12	6	158-1462	24 V RELAY DPDT 10A W/DIODE	EA
12.1	6	164-1203	RELAY BASE FOR RELAY 158-1462	EA
13	1	153-1408	PUSH BUTTON (RED = NORMALLY OPEN)	EA
14		153-1209	BUTTON GUARD	EA
15	14	153-1028	PANEL-MOUNT FUSE HOLDER - UL (COMPLETE)	EA
16	4	158-1610TC	TOUCH SCREEN MOUNT CLIP	EA
17	1	158-6666	RESISTANCE ADJUSTMENT BOX - MODIFIED	EA
18	2	158-1465	CONTACTOR 24VDC	EA
19	1	158-1605	STEPPER SPEED CONTROL BOARD	EA
20	1	158-8415	SPEED CONTROL BOARD - CLEANER	EA
21	1	164-8028	CVR ASSEMBLY - VARIABLE BUFF ONLY	EA
21.1	1	158-1433A	CVR ASSEMBLY ALL	EA
22	1	158-1611	MOLEX TERMINAL BLOCK	EA
22.1	1	158-8619W	RESISTANCE WIRE ASSY - 22AWG	EA
23	1	164-8225	SPEED CONTROL ASSEMBLY - BUFFER DRIVE	EA



OIL VALVE ASSEMBLY

REV. 2/16

<u>INDEX</u> <u>NUMBER</u>	<u>QTY.</u>	<u>PART</u> <u>NUMBER</u>	<u>DESCRIPTION</u>	<u>UOM</u>
1	2	154-8298	OIL CONTROL VALVE (24VDC) WITH EXTENEDED WIRES	EA
1.1	2	154-0613	ELBOW - 1/8 NPT X 3/16 TUBE	EA
1.2	4	154-0224	MALE CONNECTOR - 1/4" TUBE X 1/8 NPT	EA
2	1	158-8632	OIL STEPPER MOTOR ASSEMBLY	EA
3	2	164-8021	FLEX PULSE SUPRESSION TUBE	EA
4	2	154-1214	FLUID METERING PUMP-0.05 ML/STROKE	EA
5	1	158-9403	PULLEY - 26XL037 X 5/16" BORE	EA
6	8	153-2002	#8 FLATWASHER	EA
7	4	153-2089	MS PHILLIPS - 8-32 X 1	EA
8	2	164-0207	PIPE NIPPLE - THREADED BLK - 1/8 X 1 1/2	EA
9	2	154-0230	IN-LINE COUPLER (1/8 NPT) FLOAT	EA
10	2	158-1613	PRESSURE GAUGE - 60PSI	EA
11	4	153-2087	MS PHILLIPS - 8-32 X 3/4	EA
12	4	153-2013	#10 LOCKWASHER	EA
13	2	154-9208	PULLEY - 12XL - 5/16" BORE W/SET SCREW	EA
14	1	164-8029	OIL PUMP IDLER ASSEMBLY	EA
15	4	164-2046	HOSE CLAMP	EA
16	6	154-0226	ELBOW - TUBE TO HOSE BARB (1/4 X 1/4 ID)	EA
17	4	154-0222	ELBOW - 1/4" STEM X 1/4" TUBING OD	EA
18	4	153-2504	MS PHILLIPS - 4-40 X 3/8	EA
19		154-0248	REDUCING UNION CONNECTOR-1/4" X 3/16"	EA
20	1	154-0202A	PENCIL TUBING STOCK 1/4OD X 1/8ID	IN
21	4	153-2019	LOCKNUT - 8-32 (NYLOK)	EA
22	1	154-0202	PENCIL TUBING STOCK 3/8OD X 1/4ID	IN
23	2	153-0815	UNION TEE (1/4 X 1/4 X 1/4 - QUICK DISC)	EA
24	1	164-9008	TIMING BELT DOUBLE SIDED (220XL038	EA
25	1	154-0202B	PENCIL TUBING STOCK - 3/16 OD X 1/16 ID	IN
26	1	153-2510	NYLON WASHER - 1/4	EA
27	1	153-2803	SHOULDER BOLT - 1/4 X 1-1/4 (10-24)	EA



SUB TANK CARTRIDGE ASSEMBLY

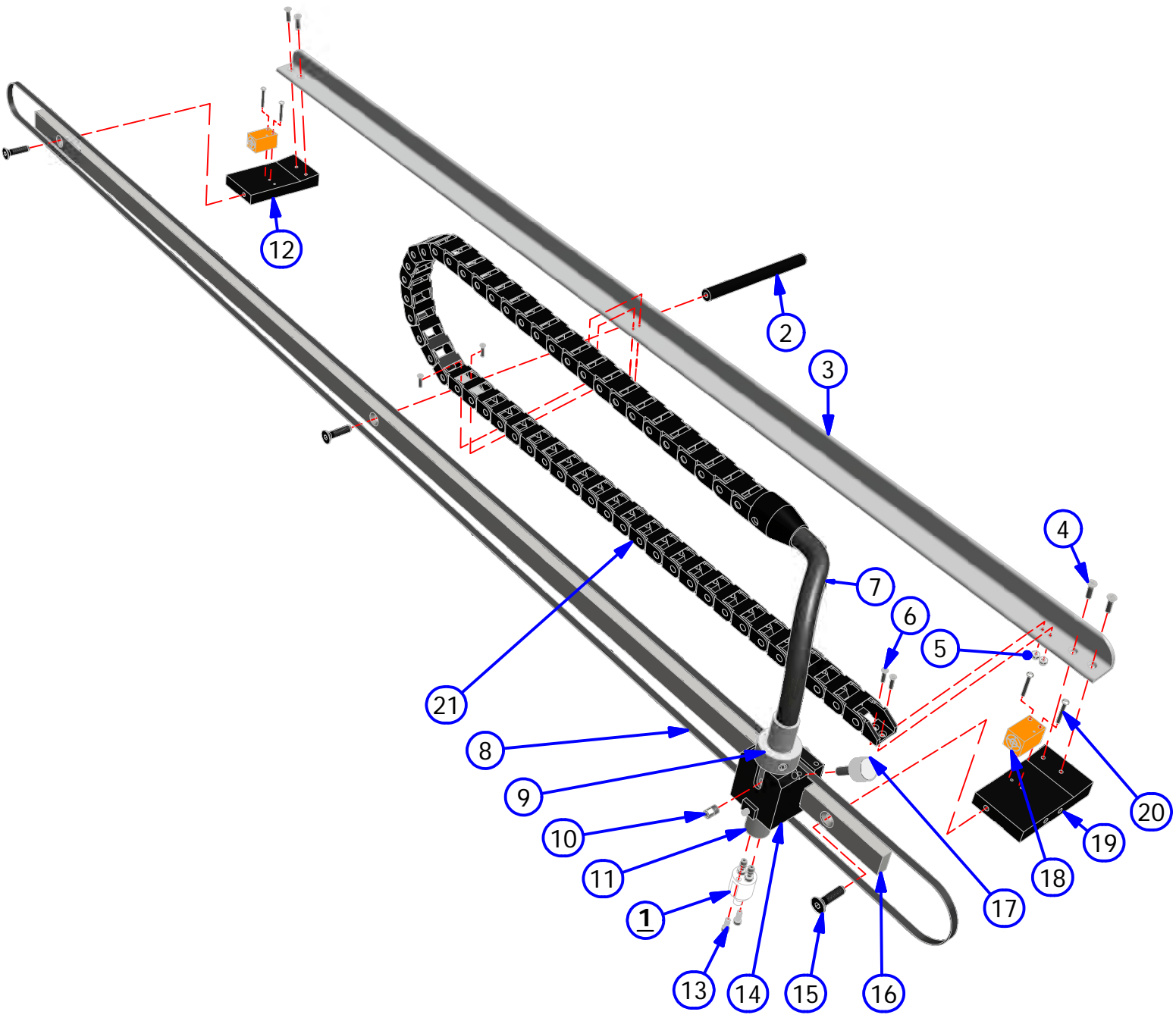
REV. 3/16

<u>INDEX</u>		<u>PART</u>			
<u>NUMBER</u>	<u>QTY.</u>	<u>NUMBER</u>	<u>DESCRIPTION</u>		<u>UOM</u>
1	2	164-8015	FLEX 1.5L CARTRIDGE		EA
	1	164-8015A	CARTRIDGE ONLY (NO PLUNGER ASSEMBLY)		EA
2.1	1	164-6015A	FLEX CONDITIONER SUB TANK A		EA
2.2	1	164-6015B	FLEX CONDITIONER SUB TANK B		EA
2.3	2	154-0212	CONDITIONER TANK FILTER ASSEMBLY		EA
3	2	154-8693	FLOAT SWITCH ASSEMBLY		EA
4	2	164-8007	OIL VENT VALVE ASSEMBLY		EA
5	1	164-6124	OIL PLATE ASSEMBLY		EA
6	2	153-2019	LOCKNUT - 8-32 (NYLOK)		EA
7	2	153-2806	FLAT HEAD PHILLIPS - 8-32 X 5/8		EA
8	1	164-6122	OIL PLATE MOUNT		EA
9	1	164-2016	THUMB SCREW - KNURLED HEAD		EA
10	2	164-0002	VALVE GASKET		EA
11	2	164-8015P	CARTRIDGE VALVE ASSY		EA
12	2	164-0004	FLEX CARTRIDGE CAP 38MM W/ HOLE		EA
13	2	164-6079	1.125 O-RING		EA
14	6	153-2605	MS PHILLIPS - 10-32 X 1/2 (SELF-TAP)		EA
15	6	153-2013	#10 LOCKWASHER		EA
16	6	153-2003	#10 FLATWASHER		EA
17	1	164-6113	CONDITIONER TANK MOUNT		EA
18	4	164-6153	CARTRIDGE RETAINER		EA
19		153-2086A	MS PHILLIPS - 8-32 X 3/8		EA
20	2	164-2044	STANDOFF FEMALE THREADED 8-32 X 3/8		EA
21	2	164-8086	SUB TANK PLUG		EA
22	2	153-2817	FLAT HEAD PHILLIPS - 8-32 X 1/2		EA
23	4	154-0223	ELBOW (90 DEGREE) - 1/4 NPT X 1/4" TUBE		EA
24	1	154-0225	ELBOW - 3/8 TUBE OD X 1/4 NPT		EA
25	1	154-0258	ELBOW - 3/8 STEM X 3/8 TUBE		EA
26	1	162-2013	FENDER WASHER 1/4 X 7/8		EA
27	1	153-2014	LOCK WASHER 1/4		EA
28	2	164-2052	RUBBER BUMPER		EA
29	2	164-6167	RUBBER BUMPER STANDOFF		EA
30	2	164-2053	RECTANGLE CAP		EA
31	2	153-2035	BLIND RIVET WASHER - 3/16		EA
32	2	153-2541	MS PHILLIPS - 8-32 X 1/2		EA
33	2	164-8020	CARTRIDGE CLAMP ASSEMBLY		EA
34	2	164-6168	SPRING STEEL SPACER		EA
35	4	153-2533	INTERNAL TOOTH LOCK WASHER - #8		EA
36	6	153-2086	MS PHILLIPS - 8-32 X 5/8		EA
37	1	154-0814	FITTING - 1/4 NPT X 3/8 TUBE		EA

OIL HEAD ASSEMBLY

REV. 2/16

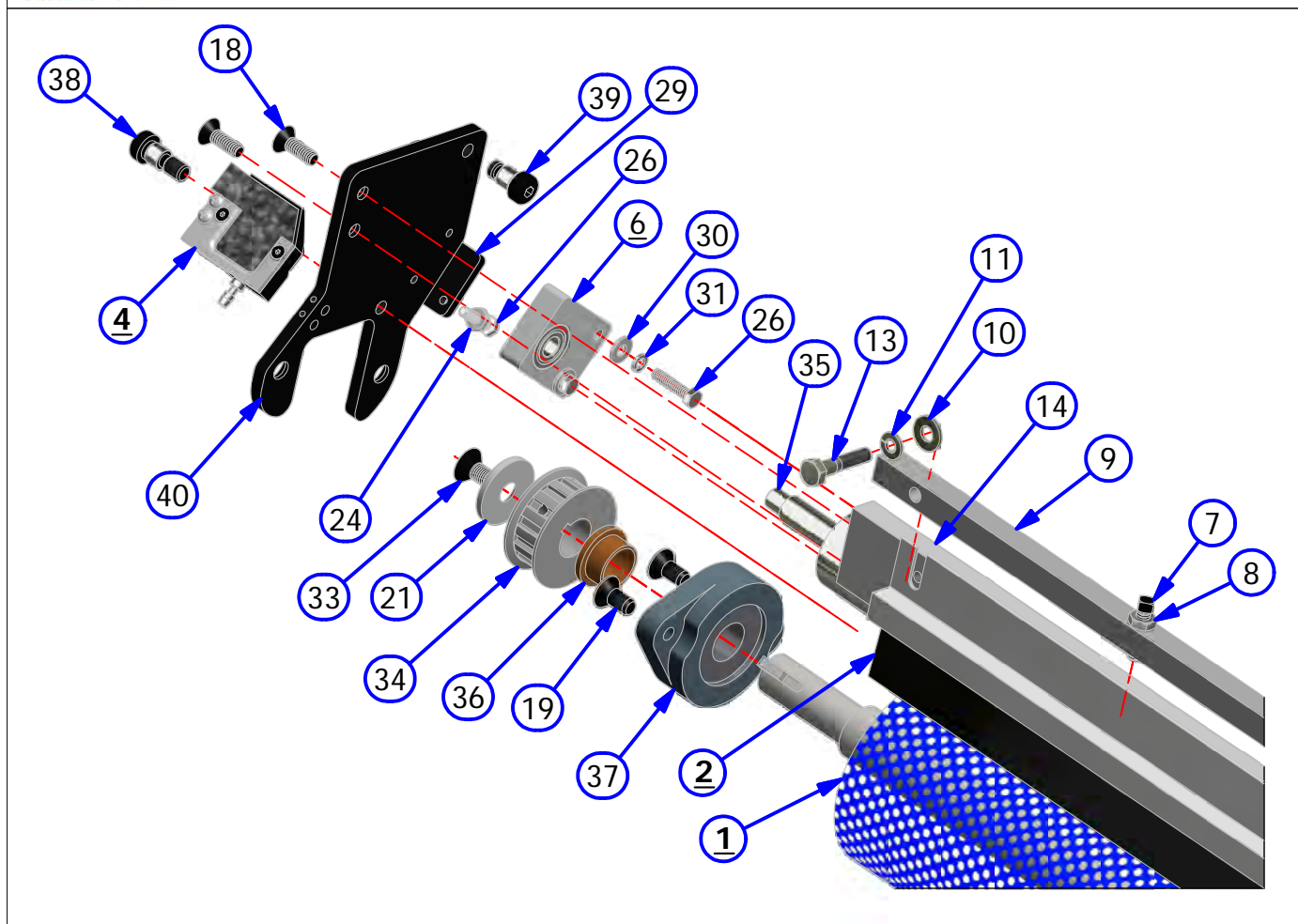
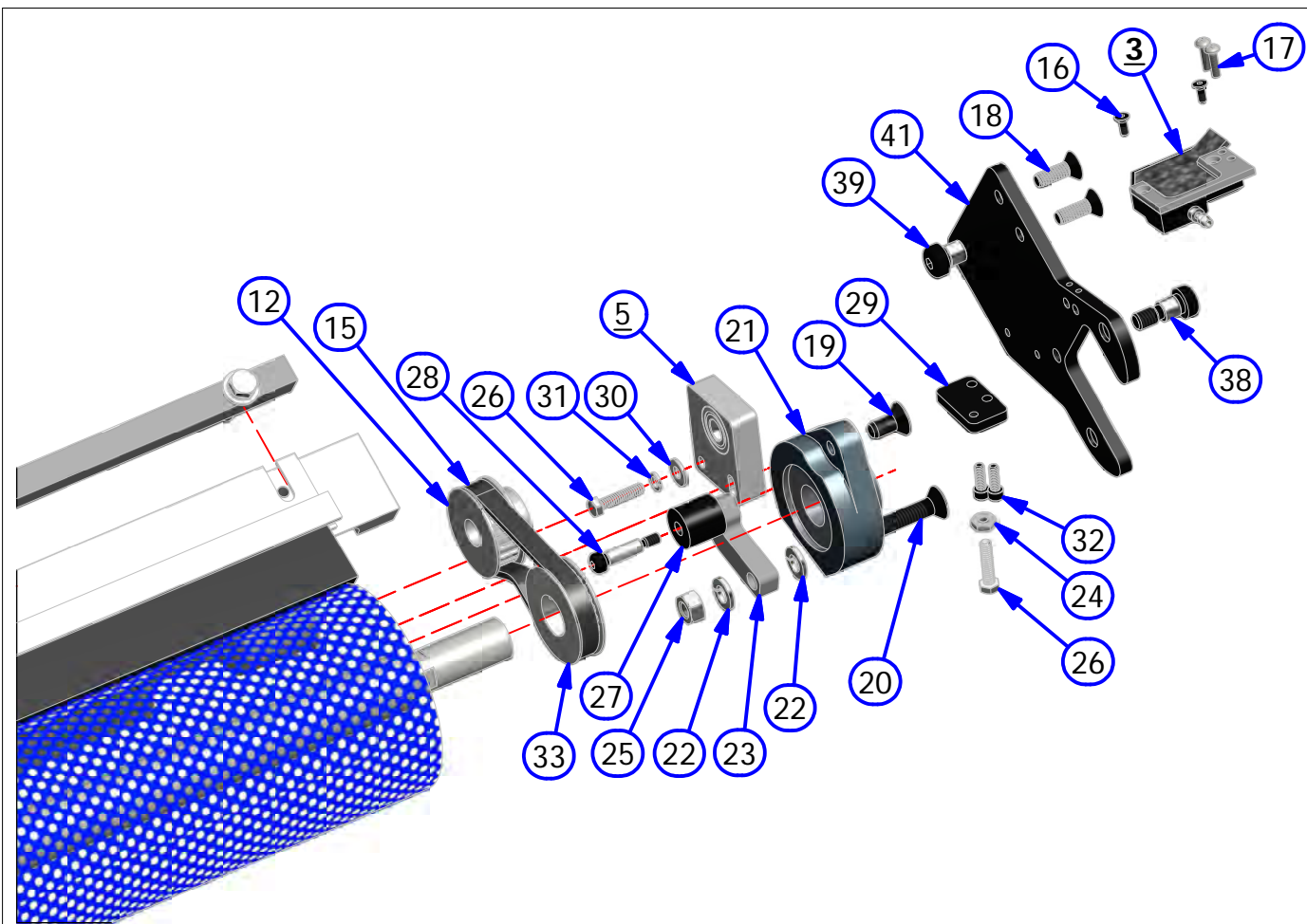
<u>INDEX</u> <u>NUMBER</u>	<u>QTY.</u>	<u>PART</u> <u>NUMBER</u>	<u>DESCRIPTION</u>	<u>UOM</u>
1	1	164-8051	DUAL OIL TIP WITH FITTINGS	EA
2	1	164-6046	FLEX HEAD BAR SUPPORT	EA
3	1	164-6104	OIL TIP HOSE ANGLE	EA
4	5	153-2806	FLAT HEAD PHILLIPS - 8-32 X 5/8	EA
5	4	153-2231	LOCKNUT - 4-40	EA
6	4	153-2724	FHMS PHILLIPS - 4-40 X 1/2	EA
7	1	164-8023	OIL TUBE SLEEVE	EA
8	1	154-9201	BELT FOR HEAD DRIVE	EA
9	1	153-2937	SHAFT COLLAR 3/4" ID	EA
10	1	153-2972	THREADED PIN 1/4-20 FOR TIP AND HOSE ASSY	EA
11	1	164-6156	OIL TIP TUBE	EA
12	1	164-6102	LEFT HEAD BAR MOUNT	EA
13	2	153-2987	SCREW 6-32 X 3/8 SHCS	EA
14	1	164-6111	FLEX OIL HEAD ASSY	EA
15	3	153-2702	FHMS - 1/4-20 X 1 SELF-LOCKING	EA
16	1	154-6647A	SLIDING HEAD BAR (3/8) - STANDARD	EA
17	1	164-2016	THUMB SCREW - KNURLED HEAD	EA
18	2	154-1220	PROXIMITY SENSOR	EA
19	1	164-6103	RIGHT HEAD BAR MOUNT	EA
20	4	153-2216A	MS PHILLIPS - 4-40 X 7/8	EA
21	1	165-9009	FLEX-CABLE CARRIER	EA



OIL TRANSFER ASSEMBLY

REV. 3/16

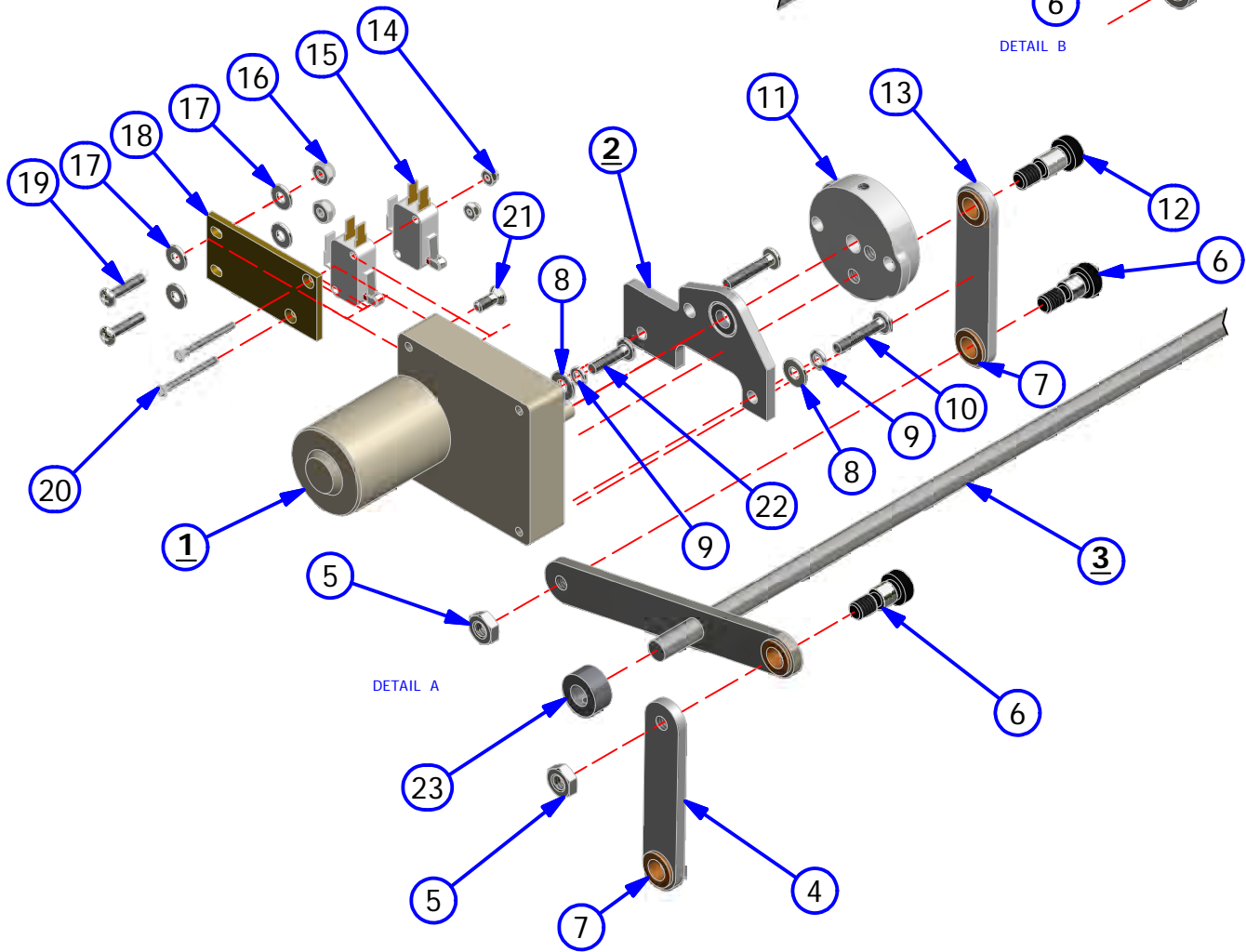
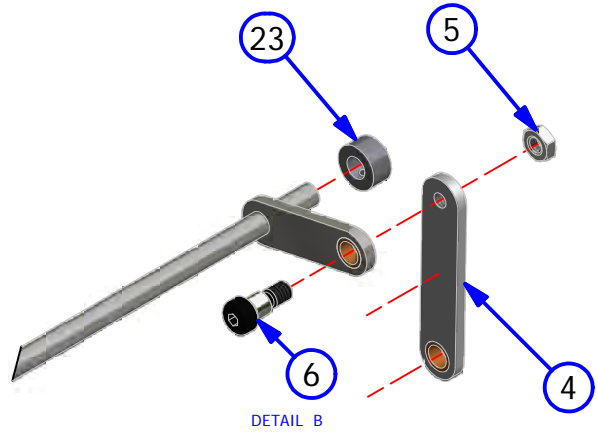
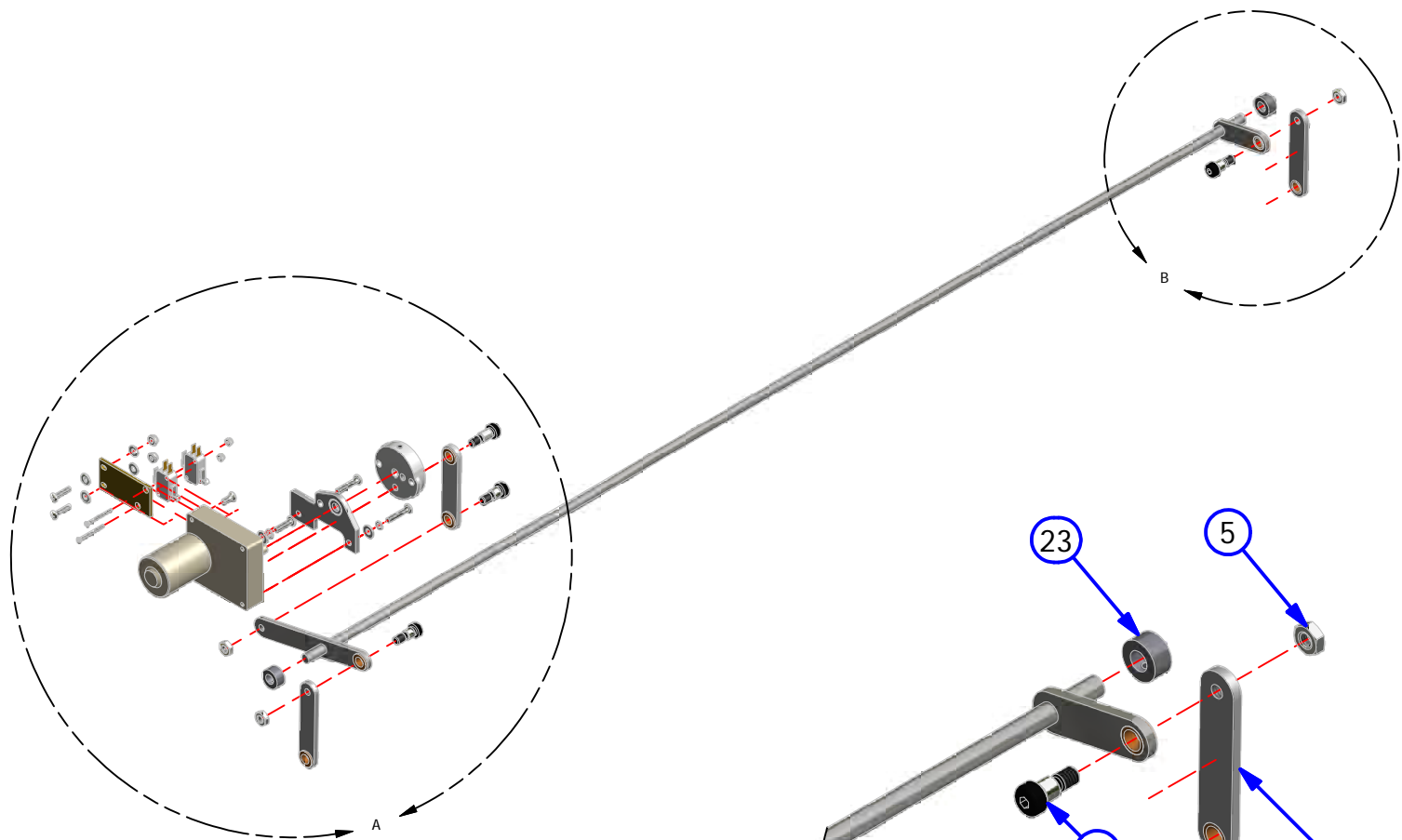
<u>INDEX</u> <u>NUMBER</u>	<u>QTY.</u>	<u>PART</u> <u>NUMBER</u>	<u>DESCRIPTION</u>	<u>UOM</u>
1	1	164-8001A	BUFFER BRUSH ASSEMBLY	EA
2	1	164-0866	SINGLE LONG BRUSH ASSEMBLY (TRANSFER BRUSH)	EA
3	1	164-8019	FLEX RIGHT DRIP PAD ASSEMBLY	EA
	1	154-0228S	FELT MATERIAL	EA
4	1	164-8018	FLEX LEFT DRIP PAD ASSEMBLY	EA
	1	154-0228S	FELT MATERIAL	EA
5	1	164-8045	BEARING MOUNT ASSEMBLY - RIGHT	EA
5.1	1	153-2309	BEARING ASSEMBLY 3/8 SHAFT	EA
6	1	164-8046	BEARING MOUNT ASSEMBLY - LEFT	EA
6.1	1	153-2309	BEARING ASSEMBLY 3/8 SHAFT	EA
7	4	153-2306	CUP POINT SQ HEAD SET SCREW 1/4-20 X 1	EA
8	4	153-2304	JAM NUT - 1/4-20	EA
9	1	158-6735	BRUSH TRACK MOUNT SUPPORT	EA
10	5	153-2004	1/4 FLATWASHER	EA
11	5	153-2014	1/4 LOCKWASHER	EA
12	1	154-9205D	PULLEY 24XL037 3/8 BORE	EA
13	5	153-2054	HHCS - 1/4-20 X 1-1/4	EA
14	1	158-6732	SINGLE BRUSH TRACK MOUNT	EA
15		154-9203	BELT FOR TRANSFER ROLLER	EA
16	4	153-2831	SCREW - 6/32 X 3/8 FHCS	EA
17	4	153-2081	MS PHILLIPS - 6-32X 1/2"	EA
18	4	153-2968	SCREW - 1/4-20 X 3/4 FHSCHS	EA
19	2	153-2802	FHSS - 5/16-18 X 5/8	EA
20	1	153-2513	FHSS - 5/16-18 X 1-1/2	EA
21	1	154-8640	FLANGED BEARING-STD BRUSH (3/4" ROTATED)	EA
22	2	153-2015	5/16 LOCKWASHER	EA
23	1	164-6051	TRANSFER ROLLER IDLER BELT BLOCK	EA
24	2	153-2022	HEX NUT - 10-24	EA
25	1	153-2024	HEX NUT - 5/16-18	EA
26	6	153-2955	10-24 x 7/8 HEX HEAD MACHINE SCREW	EA
27	1	158-6742	TRANSFER ROLLER BELT IDLER ROLLER	EA
28	1	153-2308	HEXAGON SOCKET HEAD SHOULDER SCREW	EA
29	2	164-6052	TRANSFER ROLLER ADJUSTMENT PLATE	EA
30	2	153-2035	BLIND RIVET WASHER - 3/16	EA
31	4	153-2013	#10 LOCKWASHER	EA
32	4	153-2999	SCREW - SHCS 8-32 X 1/2 BLACK OXIDE	EA
33	1	164-9007	PULLEY 24XLO37 3/4 BORE NO HUB NO KWY	EA
34	1	158-9402	PULLEY FOR BUFFER BRUSH ASSEMBLY	EA
35	1	164-8008	TRANSFER ROLLER ASSEMBLY	EA
36	1	158-9601	FLANGED BUSHING	EA
37	1	153-9816	FLANGED BUFFER BRUSH BEARING ASSEMBLY	EA
38	2	153-2801	SHOULDER BOLT - 3/8 X 3/8 (5/16-18)	EA
39	2	153-2801A	SHOULDER BOLT CUT - 3/8 X 3/8 (5/16-18)	EA
40	1	164-6013	LEFT BEARING MOUNT	EA
41	1	164-6014	RIGHT BEARING MOUNT	EA



BRUSH LIFT ROD ASSEMBLY

REV. 2/16

<u>INDEX</u> <u>NUMBER</u>	<u>QTY.</u>	<u>PART</u> <u>NUMBER</u>	<u>DESCRIPTION</u>	<u>UOM</u>
1	1	158-8402	MOTOR ASSEMBLY - 24VDC	EA
2	1	158-8634	SQUEEGEE/BRUSH MOUNT PLATE ASSEMBLY	EA
	1	158-9614	BALL BEARING MINITURE	EA
3	1	164-8218	FLEX BRUSH LIFT ROD - 2016	EA
4	2	164-6011	FLEX BRUSH LIFT ROD TO BEARING LINK	EA
5	3	153-2027A	JAM NUT - 5/16-18	EA
6	5	153-2801	SHOULDER BOLT-3/8 X 3/8 (5/16-18)	EA
7	6	153-9803	FLANGED BUSHING (3/8 X 1/2 X 1/4)	EA
8	3	153-2003	#10 FLATWASHER	EA
9	3	153-2013	#10 LOCKWASHER	EA
10	2	153-2092	MS PHILLIPS - 10-32 X 1	EA
11	1	154-6243	MOTOR CAM-DUAL LOBES (STACKED SWITCHES)	EA
12	1	153-2515	SHOULDER BOLT - 3/8 X 1/2 (5/16-18)	EA
13	1	164-6012	FLEX BRUSH LIFT ROD TO CAM LINK	EA
14	2	153-2231	LOCKNUT - 4-40	EA
15	2	153-1203	MICROSWITCH W/ROLLER	EA
16	2	153-2019	LOCKNUT - 8-32 (NYLOK)	EA
17	4	153-2002	#8 FLATWASHER	EA
18	1	154-6824	CAM SWITCH PLATE	EA
19	2	153-2086	MS PHILLIPS - 8-32 X 5/8	EA
20	2	153-2727	4-40 X 1-1/4 FHMS	EA
21		153-2817	FLAT HEAD PHILLIPS - 8-32 X 1/2	EA
22	1	153-2091	MS PHILLIPS - 10-32 X 3/4	EA
23	2	153-2804	COLLAR - 3/8 X 3/4 X 3/8	EA



VACUUM MOTOR ASSEMBLY

REV. 1/16

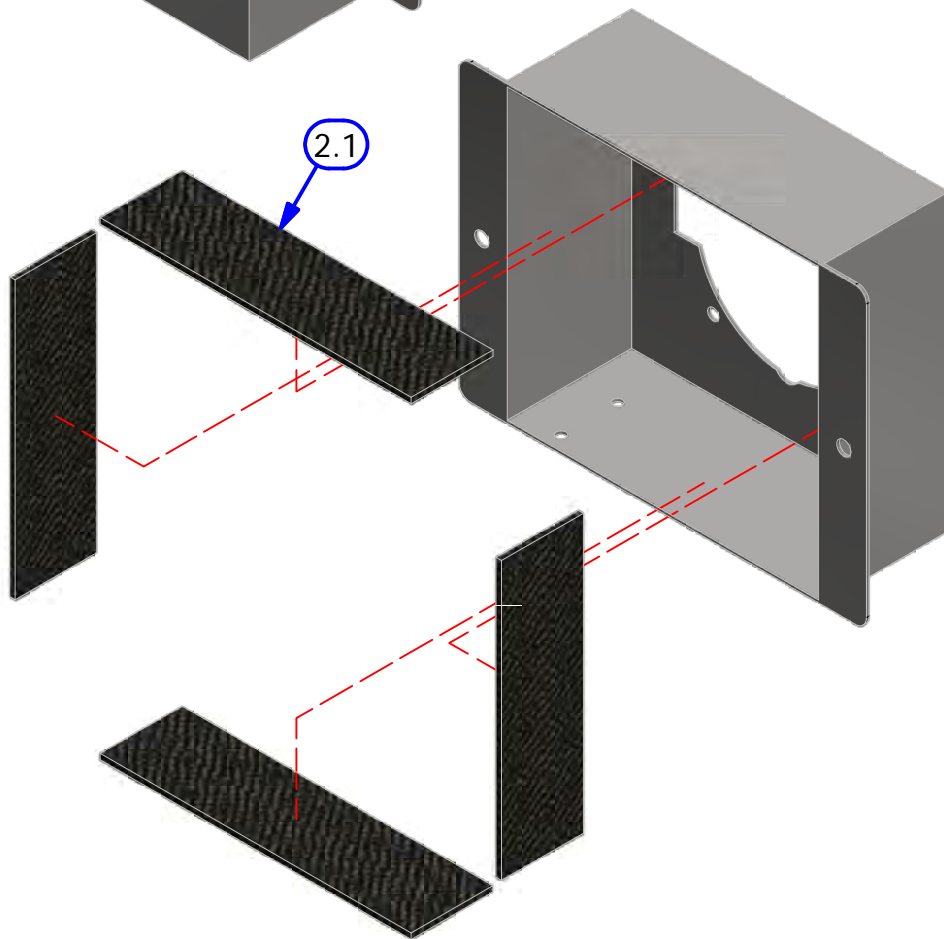
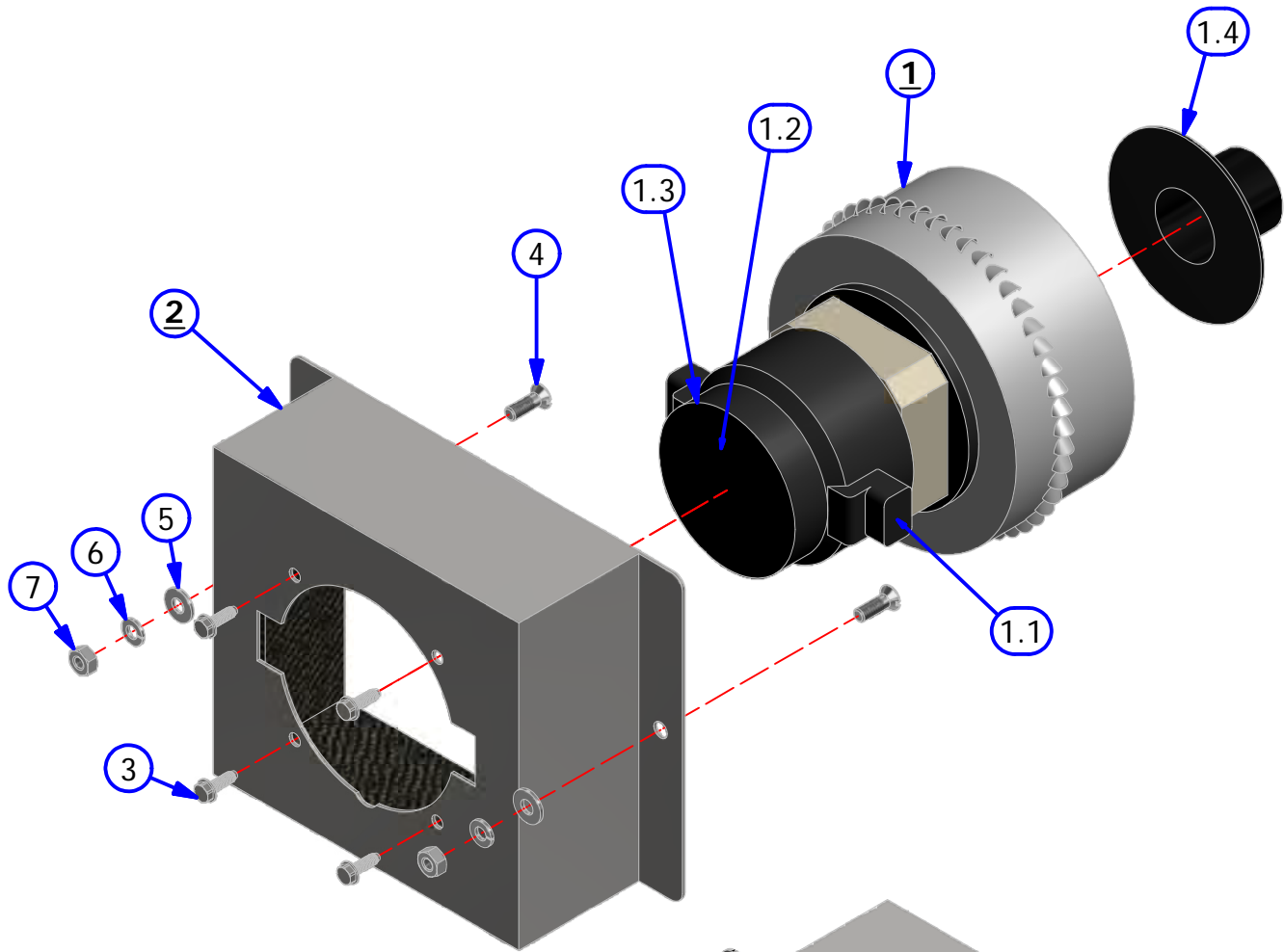
<u>INDEX NUMBER</u>	<u>QTY.</u>	<u>PART NUMBER</u>	<u>DESCRIPTION</u>	<u>UOM</u>
1	1	158-8407	VACUUM MOTOR ASSEMBLY (COMPLETE)	
1.1	1	158-1421B	VACUUM MOTOR BRUSHES	PR
1.2	1	153-0204F	FAN BLADE	EA
1.3	1	153-0204H	FAN BLADE COVER	EA
1.4*	1	153-6221M	VACUUM WALL PLASTIC ADAPTER (See Below)	EA
2	1	158-8618	VACUUM MOTOR HOUSING	
2.1		154-0228S	STOCK - 1/8 IN GRAY FELT	IN
3	4	153-2830	HEX HEAD SELF TAP #10 X 5/8 SCREW	EA
4	2	153-2078	FHMS - 1/4 - 20 X 3/4	EA
5	2	153-2004	1/4 FLAT WASHER	EA
6	2	153-2014	1/4 LOCK WASHER	EA
7	2	153-2023	1/4/-20 HEX NUT	EA



TECHNICAL NOTE

WHEN ATTACHING PART NUMBER 153-6221M, USE A TWO (2) PART EPOXY AND ALLOW TO DRY ACCORDING TO DIRECTIONS.

BE CAREFUL NOT TO CRUSH THE VACUUM MOTOR HOUSING INTO INTERNAL BLADES.



CLEANER TANK ASSEMBLY

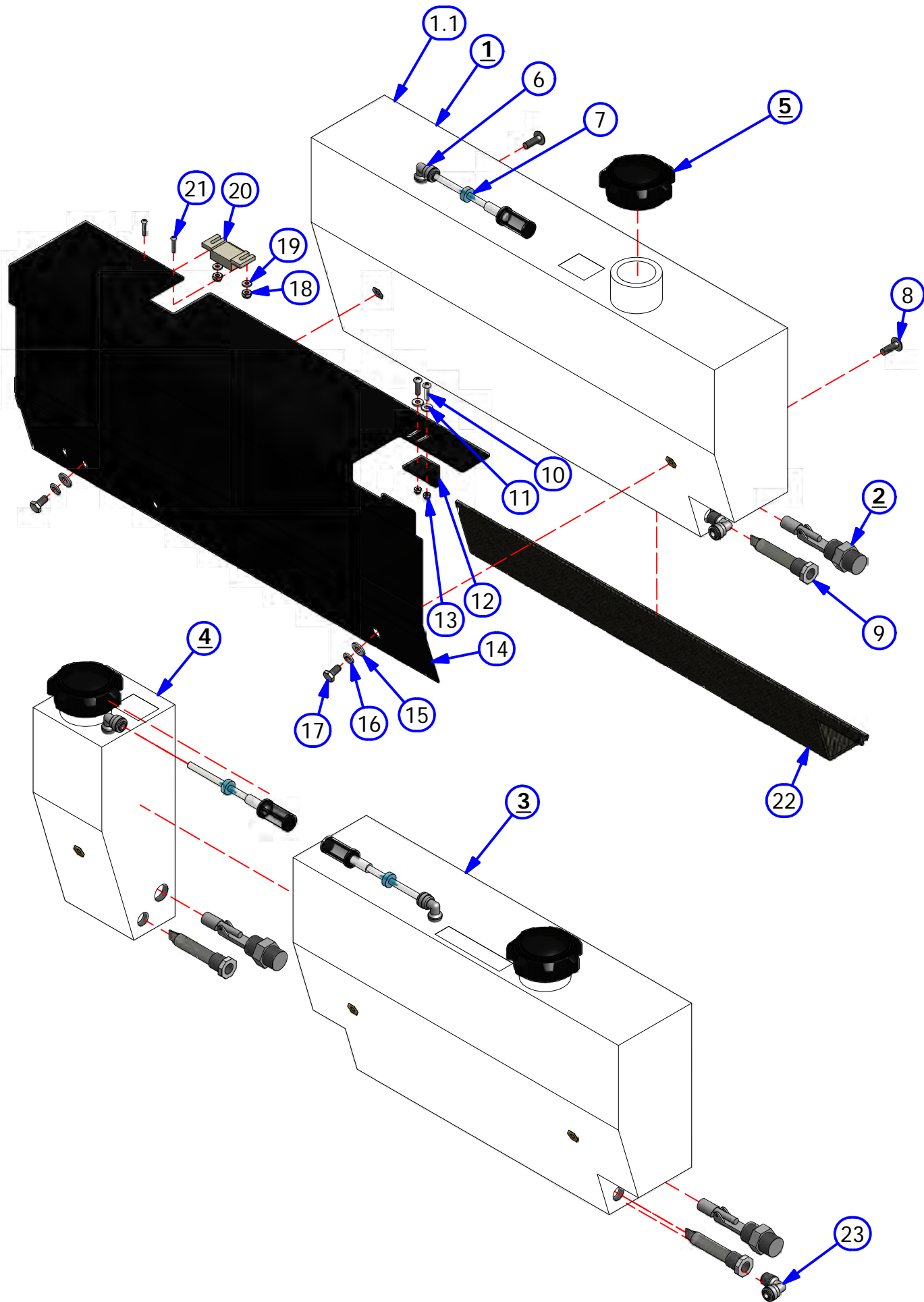
REV. 9/14

<u>INDEX NUMBER</u>	<u>QTY.</u>	<u>PART NUMBER</u>	<u>DESCRIPTION</u>	<u>UOM</u>
1	1	164-8042	CLEANER SUPPLY TANK (COMPLETE)	EA
1.1	1	164-6016	CLEANER SUPPLY TANK ONLY	EA
2	1*	154-8693	CLEANER SUPPLY TANK FLOAT ASSEMBLY	EA
3	1	164-8041	FLEX UPGRADED WATER TANK ASSEMBLY (COMPLETE)	EA
3.1	1	164-6740	UPGRADED WATER TANK (TANK ONLY)	EA
4	1	164-8043	FLEX UPGRADED CLEANER TANK ASSEMBLY (COMPLETE)	EA
4.1	1	164-6741	UPGRADED CLEANER TANK (TANK ONLY)	EA
5	1*	164-8081	SUPPLY TANK CAP WITH GASKET	EA
5.1	1*	164-0021	GASKET FOR SUPPLY TANK CAP	EA
6	1	154-0223	ELBOW (90 DEGREE) 1/4NPT X 1/4IN TUBING	EA
7	1	154-8817	VENT VALVE ASSEMBLY	EA
8	2	153-2924	MS PHILLIPS - 1/4-20 X 3/4	EA
9	1*	154-0212B	FILTER ASSEMBLY FOR SUPPLY TANK	EA
10	2	153-2086	MS PHILLIPS - 8/32 X 5/8	EA
11	2	153-2002	FLAT WASHER #8	EA
12	1	154-6827M	MOUNTING ANGLE - MOLDED PLASTIC	EA
13	2	153-2231	LOCKNUT - 4-40	EA
14	1	164-8078	SPLASH GUARD (SPECIFY COLOR)	EA
15	2	153-2004	FLAT WASHER 1/4	EA
16		153-2014	LOCK WASHER 1/4	EA
17	2	153-2726	1/4-20 X 1/2 HHCS	EA
18	2	153-2019	LOCKNUT - 8-32 (NYLOK)	EA
19	2	153-2001	FLAT WASHER #6	EA
20	1	154-0609	MAGNETIC CATCH / PLATE ASSEMBLY	EA
21	2	153-2216	MS PHILLIPS 4-40 X 5/8	EA
22	1	164-8212	FELT KIT - 24" X 1/8 48" X 9" X 1/8"	IN



TECHNICAL NOTE

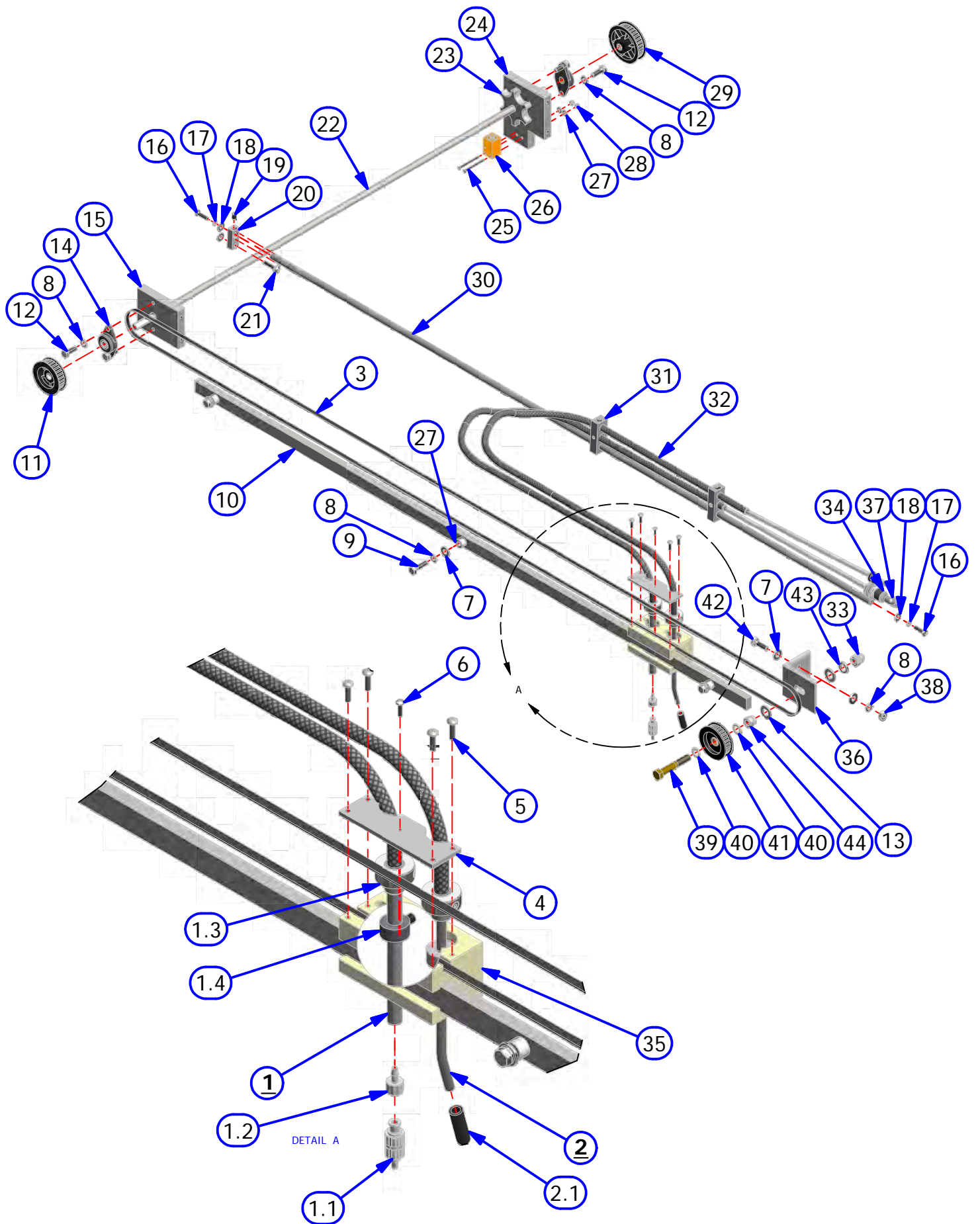
*FOR MACHINES WITH THE UPGRADED CLEANING SYSTEM, THESE PARTS ARE QUANTITY OF TWO.



CLEANER HEAD ASSEMBLY

REV. 3/16

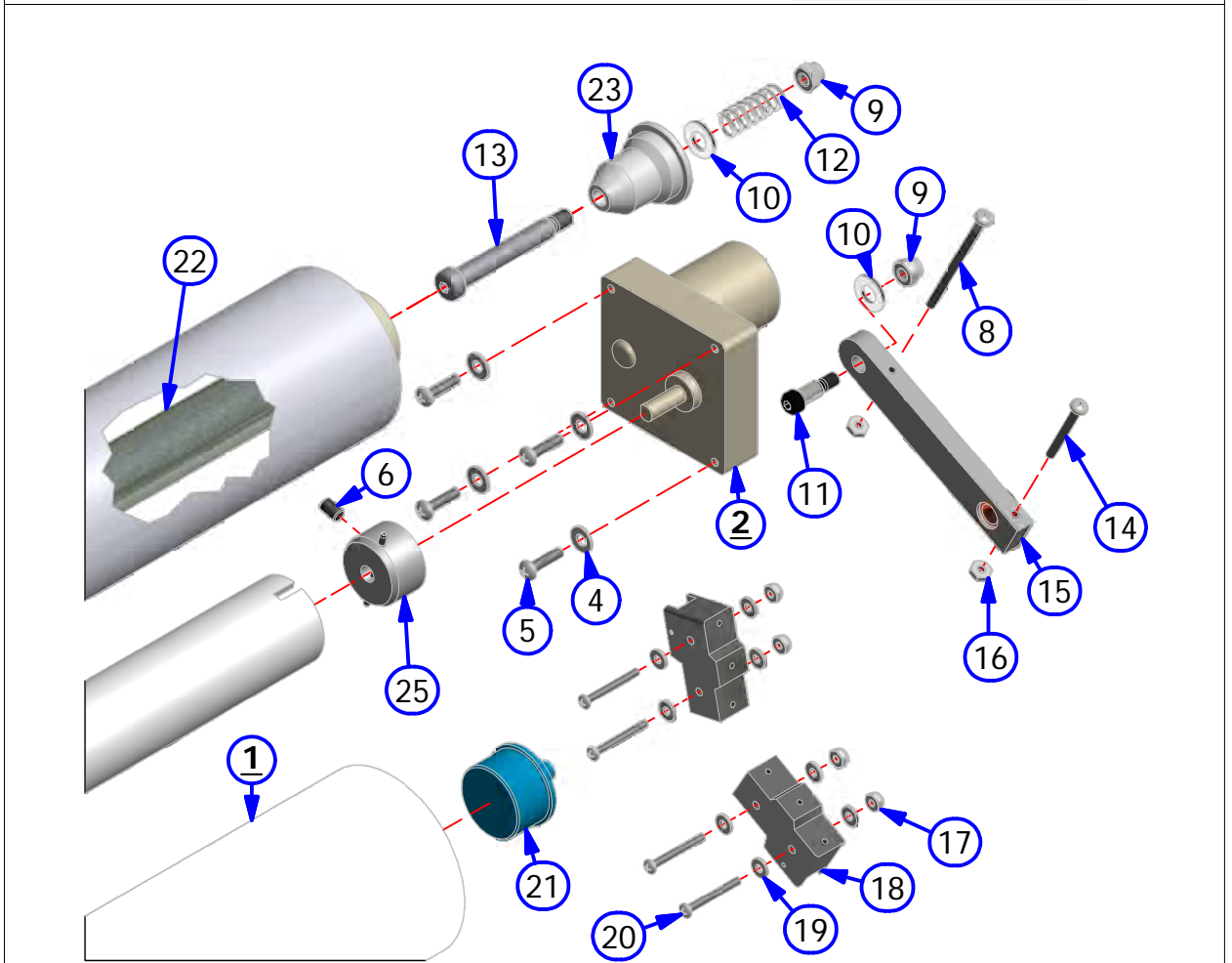
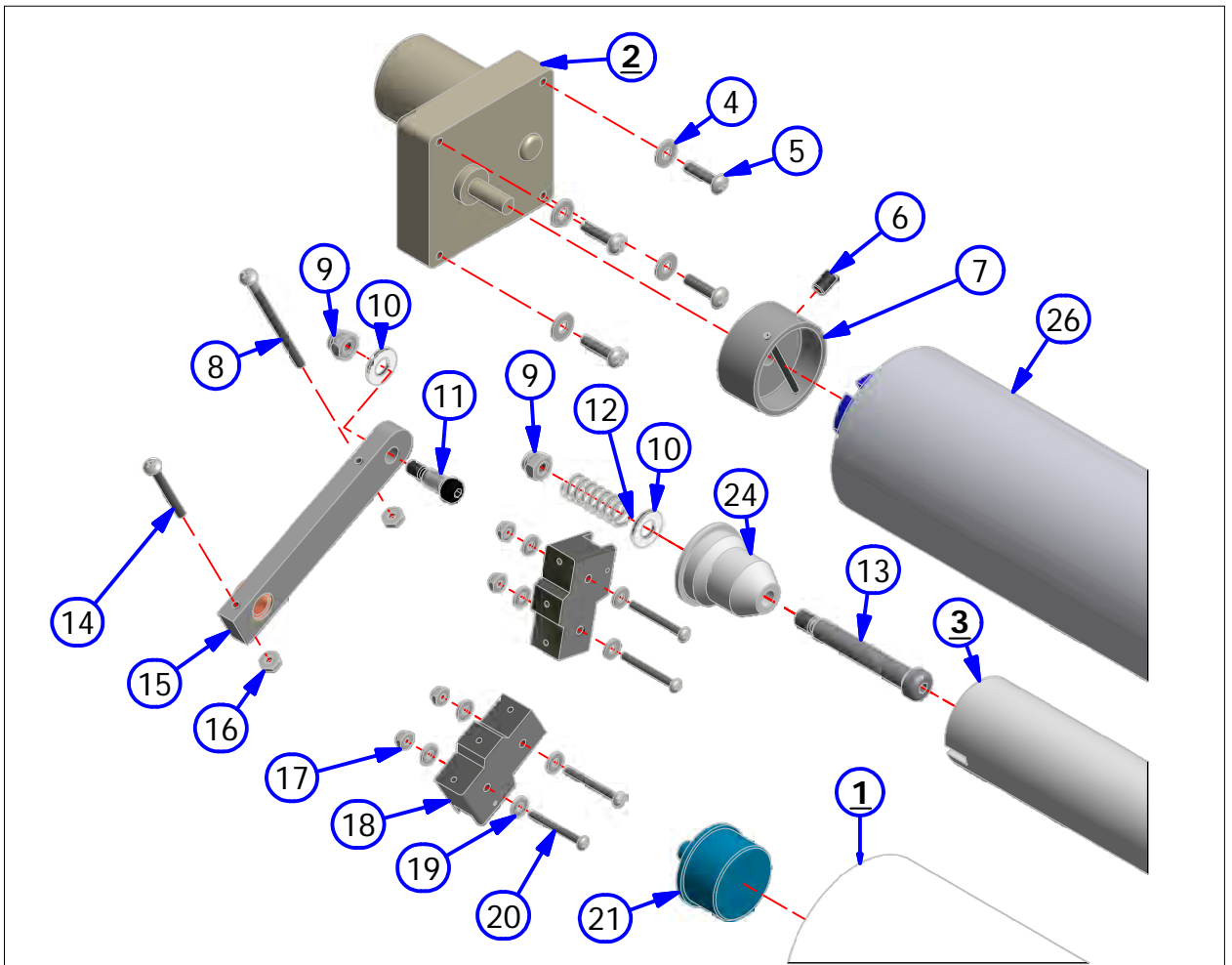
<u>INDEX</u> <u>NUMBER</u>	<u>QTY.</u>	<u>PART</u> <u>NUMBER</u>	<u>DESCRIPTION</u>	<u>UOM</u>
1	1	154-8852	CLEANER HOSE AND TIP ASSEMBLY (COMPLETE)	EA
1.1	1	164-0012M	CLEANER TIP WITH CHECK VALVE	EA
1.2	1	154-0863	FITTING - MALE LUER TO 1/8 IN HOSE BARB	EA
1.3	1	153-2713	SPRING - TIP RETAINER	EA
1.4	1	153-2804	COLLAR - 3/8 X 3/4 X 3/8	EA
1.5	1	153-2902	COLLAR - 1/2 X 1 1/8 X 1/2	EA
2	1	164-8228	PINDECK TREATMENT TIP ASSEMBLY	EA
2.1	1	164-2067	PINDECK TREATMENT TIP COVER	EA
3	1	154-9201	HEAD DRIVE BELT ASSEMBLY	EA
4	1	164-6230	CLEANER HEAD BELT MOUNT	EA
5	4	153-2081	MS PHILLIPS - 6-32 X 1/2	EA
6	1	153-2504	MS PHILLIPS - 4-40 X 3/8	EA
7	1	153-2004	FLAT WASHER	EA
8	1	153-2014	LOCKWASHER - 1/4	EA
9	1	153-2053	HHCS - 1/4 X 1"	EA
10	1	154-6877	CLEANER HEAD GUIDE BAR	EA
11	1	154-9205B	PULLEY (28XL 3/8 BORE)	EA
12	1	153-2603	HHCS 1/4-20 X 3/4	EA
13	1	153-2006	FLAT WASHER 3/8	EA
14	2	154-9804	FLANGED BEARING FOR CLEANER DRIVE SHAFT	EA
15	1	154-6878	CLEANER HEAD DRIVE SHAFT BLOCK	EA
16	4	153-2091	MS PHILLIPS - 10-32 X 3/4	EA
17	4	153-2013	LOCK WASHER #10	EA
18		153-2003	FLAT WASHER #10	EA
19	2	153-2051A	SET SCREW - 1/4-20 X 1/4	IN
20	1	164-6090	CLEANER HOSE SHAFT MOUNT	EA
21	2	153-2092	MS PHILLIPS - 10-32 X 1	EA
22	1	164-6047	FLEX CLEANER HEAD DRIVE SHAFT	EA
23	1	154-6884	6 TOOTH SENSOR DISK	EA
24	2	164-6064	CLEANER HEAD IDLER MOUNT BLOCK	EA
25	2	153-2516	MS PHILLIPS - 4-40 X 1-1/2	EA
26	1	154-1220	PROXIMITY SENSOR	EA
27	2	153-2001	FLAT WASHER #6	EA
28	2	153-2231	LOCKNUT - 4-40	EA
29	1	154-9805	PULLEY - 32XL037 - 3/8 BORE DF DBL SET	EA
30	1	154-6889	CLEANER HOSE ROUTING BAR	EA
31	2	164-6231	HOSE SPRING MOUNT BLOCK	EA
32	2	154-0867	CLEANER HOSE SPRING	EA
33	1	153-2030	ACORN NUT 3/8 - 16	EA
34	1	154-0222	BULK HEAD UNION	EA
35	1	164-6224	CLEANER HEAD ASSEMBLY	EA
36	1	164-6048	CLEANER HEAD IDLER MOUNT	EA
37	1	154-0222	ELBOW - 1/4 IN STEM X 1/4 IN TUBING OD	EA
38	1	153-2023	HEX NUT - 1/4-20	EA
39	1	153-2815	HHCS - 3/8-16 X 2-1/4 (GRADE 8)	EA
40	1	153-2009	NYLON FLAT WASHER	EA
41	1	154-9806	PULLEY - (28XL037 - 1/2 BORE NO SET	EA
42	1	153-2052	HHCS - 1/4-20 X 7/8"	EA
43	1	153-2016	LOCK WASHER 3/8"	EA
44	1	153-2025	HEX NUT - 3/8-16	EA



DUSTER ASSEMBLY

REV. 2/16

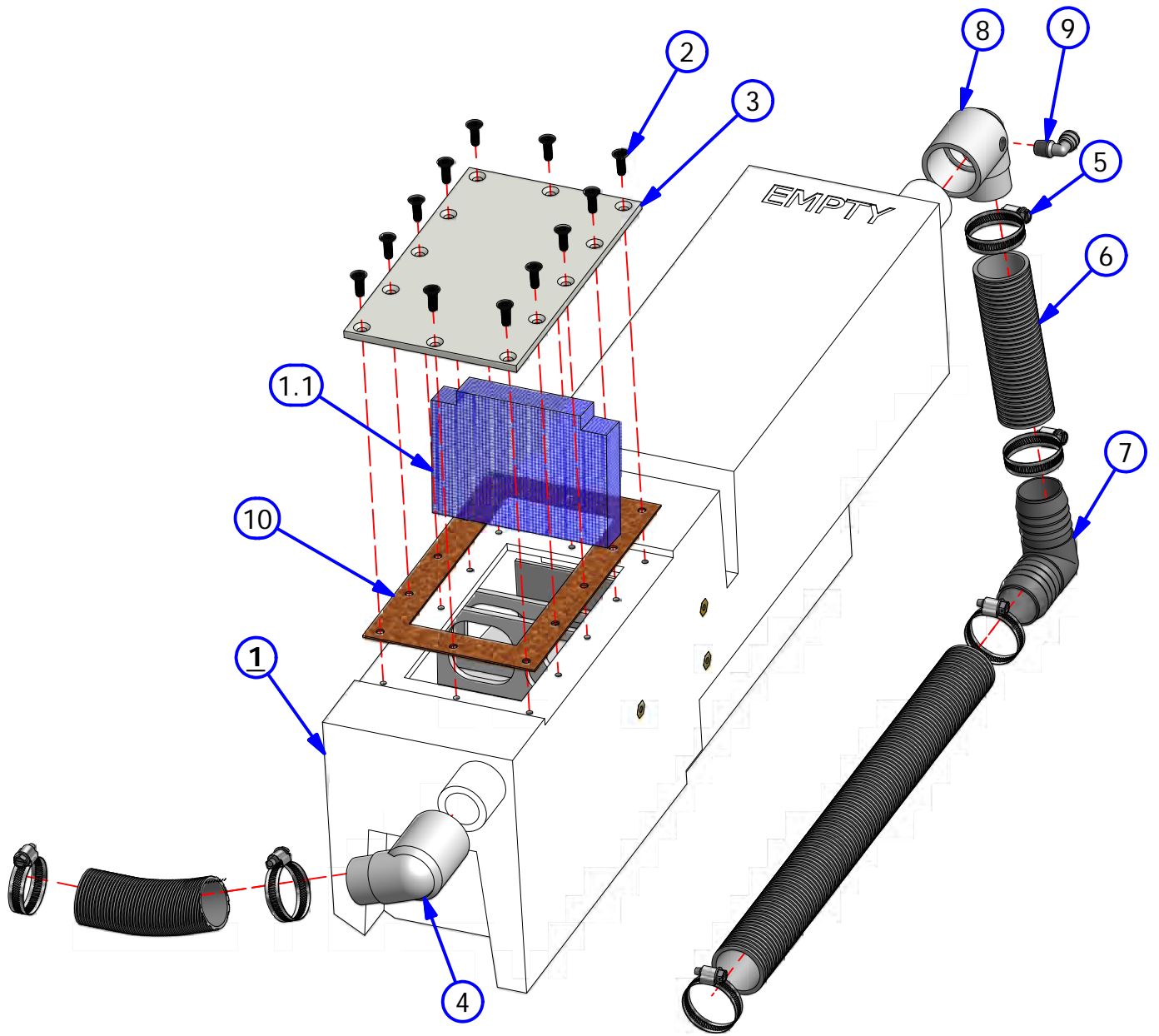
<u>INDEX</u> <u>NUMBER</u>	<u>QTY.</u>	<u>PART NUMBER</u>	<u>DESCRIPTION</u>	<u>UOM</u>
1	1	153-8839	CUSHION ROLLER WITH WRAP ASSEMBLY	EA
1.1		154-8839A	CUSHION ROLLER COVER - SIZE A	EA
1.2		154-8839B	CUSHION ROLLER COVER - SIZE B	EA
1.3		154-8839C	CUSHION ROLLER COVER - SIZE C	EA
1.4		154-8839D	CUSHION ROLLER COVER - SIZE D	EA
1.5		154-8839E	CUSHION ROLLER COVER - SIZE E	EA
2	2	158-8403	DUSTER MOTOR ASSEMBLY	EA
3	1	153-8824	PVC TAKE UP REEL	EA
4	8	153-2003	#10 - FLATWASHER	EA
5	8	153-2091	MS PHILLIPS - 10-32 X 3/4	EA
6	2	153-2050	SET SCREW 1/4-28 X 3/8	EA
7	1	153-8201B	DUSTER DRIVE HUB ASSEMBLY (1/4-28)	EA
8	2	153-2927	MS - PHILLIPS - 8-32 X 2-3/4 (PAN HEAD)	EA
9	4	153-2020A	STOVER NUT - 1/4-20	EA
10	4	153-2004	FLAT WASHER 1/4-20	EA
11	2	153-2408	SHOULDER BOLT - 5/16 X 1/2 (1/4-20)	EA
12	2	153-2093	SPRING 0.42 OD X .75	EA
13	2	153-2535	SHOULDER BOLT - 5/16 X 2 1/4 (1/4-20)	EA
14	1	153-2090	MS - PHILLIPS - -32 X 1-1/2	EA
15	2	153-8420	CUSHION ROLLER PIVOT ARM	EA
16	4	153-2414	HEX NUT 8-32	EA
17		153-2018	LOCKNUT 6-32	EA
18	4	154-1603	MICROSWITCH WITHOUT ROLLER (LARGE)	EA
19	16	153-2001	FLAT WASHER #6	EA
20	8	153-2085	MS PHILLIPS - 6-32 X 1 1/4	EA
21	2	153-9051	CUSHION ROLLER PLUG WITH STUD	EA
22	1	153-0429	DUSTER ROLL SUPPORT PIPE (40 INCH)	EA
23	1	164-6108	DUSTER PLUG CARDBOARD CORE	EA
24	1	164-6109	UHMW DUSTER PLUG FOR PVC TAKE UP REEL	EA
25	1	153-8202B	DUSTER SOLID DRIVE HUB (PVC)	EA
26	1	153-0047EZ	K2 SELECT DUSTER CLOTH (BOX OF 4)	CASE



RECOVERY TANK

REV. 2/16

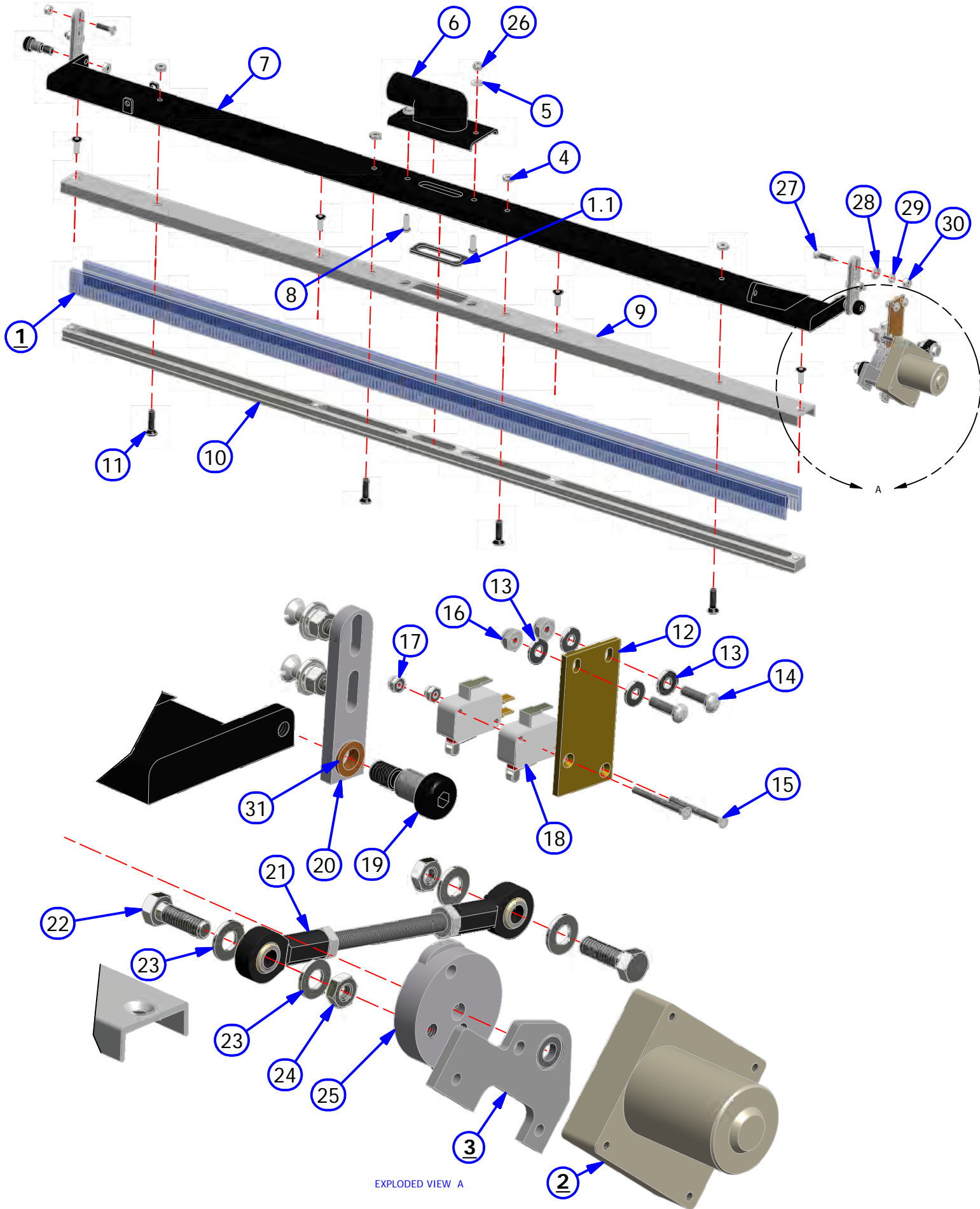
<u>INDEX</u> <u>NUMBER</u>	<u>QTY.</u>	<u>PART</u> <u>NUMBER</u>	<u>DESCRIPTION</u>	<u>UOM</u>
1	1	164-8017	FLEX RECOVERY TANK	EA
1.1	1	164-8017F	RECOVERY TANK FILTER	EA
2	12	153-2968	SCREW - 1/4-20 X 3/4 FSHCS	EA
3	1	164-6120	FLEX RECOVERY TANK COVER PLATE	EA
4	1	153-8827T	1-1/4 PVC ELBOW-TANK INLET (NO THREADS)	EA
5	6	153-2406	HOSE CLAMP (2 INCH)	EA
6	1	154-0260	FLEXIBLE HOSE - SOLD BY THE INCH	IN
7	1	154-0607	PVC ELBOW - 1-1/2 BARB X 1-1/2 BARB	EA
8	1	158-6244	ELBOW -RECOVERY TANK WITH TAPPED HOLE	EA
9	1	154-0223	ELBOW - 1/4" TUBE X 1/4" NPT	EA
10	1	158-0405	FLEX RECOVERY TANK GASKET	EA



SQUEEGEE ASSEMBLY

REV. 1/16

<u>INDEX</u> <u>NUMBER</u>	<u>QTY.</u>	<u>PART</u> <u>NUMBER</u>	<u>DESCRIPTION</u>	<u>UOM</u>
1	1	164-8038K	SQUEEGEE BLADE AND GASKET REPLACEMENT (1 SET)	EA
1.1	1	164-0003	GASKET	EA
2	1	158-8402	MOTOR ASSEMBLY -24VDC	EA
3	1	158-8634	SQUEEGEE/BRUSH MOUNT PLATE ASSEMBLY	EA
	1	158-9614	BALL BEARING MINITURE	EA
4	2	153-2020	LOCKNUT - 1/4-20 (NYLOK)	EA
5	2	153-2004	1/4 FLATWASHER	EA
6	1	154-6677A	SQUEEGEE HOSE ADAPTER NYLON	EA
7	1	154-6339	SQUEEGEE MOUNT ANGLE - BLACK (USE 154-6339-2850)	EA
8	2	164-2023	BHSCS 1/4-20 X 3/4	EA
9	1	164-6074	EXTRUDED SQUEEGEE CHANNEL	EA
10	1	164-6075	MACHINED SQUEEGEE CHANNEL INSERT	EA
11	4	153-2503	FHSS - 5/16-18 X 1-1/4	EA
12	1	154-6824	SQUEEGEE CAM SWITCH PLATE	EA
13	4	153-2002	#8 FLATWASHER	EA
14	2	153-2086	MS PHILLIPS - 8-32 X 5/8	EA
15	2	153-2727	4-40 X 1-1/4 FHMS	EA
16	2	153-2019	LOCKNUT - 8-32 (NYLOK)	EA
17	2	153-2231	LOCKNUT - 4-40	EA
18	2	153-1203	MICROSWITCH W/ROLLER	EA
19	2	153-2303	SHOULDER BOLT-3/8 X 5/8 (5/16-18)	EA
20		154-6822	SQUEEGEE ADJUSTMENT ARM	EA
21	2	153-0211	ROD END	EA
22	2	153-2061	HHCS - 5/16-18 X 1	EA
23	4	153-2005	5/16 FLATWASHER	EA
24	2	153-2027A	JAM NUT - 5/16-18	EA
25	1	154-6243	MOTOR CAM-DUAL LOBES (STACKED SWITCHES)	EA
26	4	153-2005	FLAT WASHER 5/16	EA
27	4	153-2079	FHCS - 1/4 X 20 1 BLACK ALLOY	EA
28	4	153-2004	FLAT WASHER 1/4"	EA
29	4	153-2014	LOCK WASHER 1/4"	EA
30	4	153-2023	1/4-20 HEX NUT	EA
31	2	153-9803	BUSHING	EA

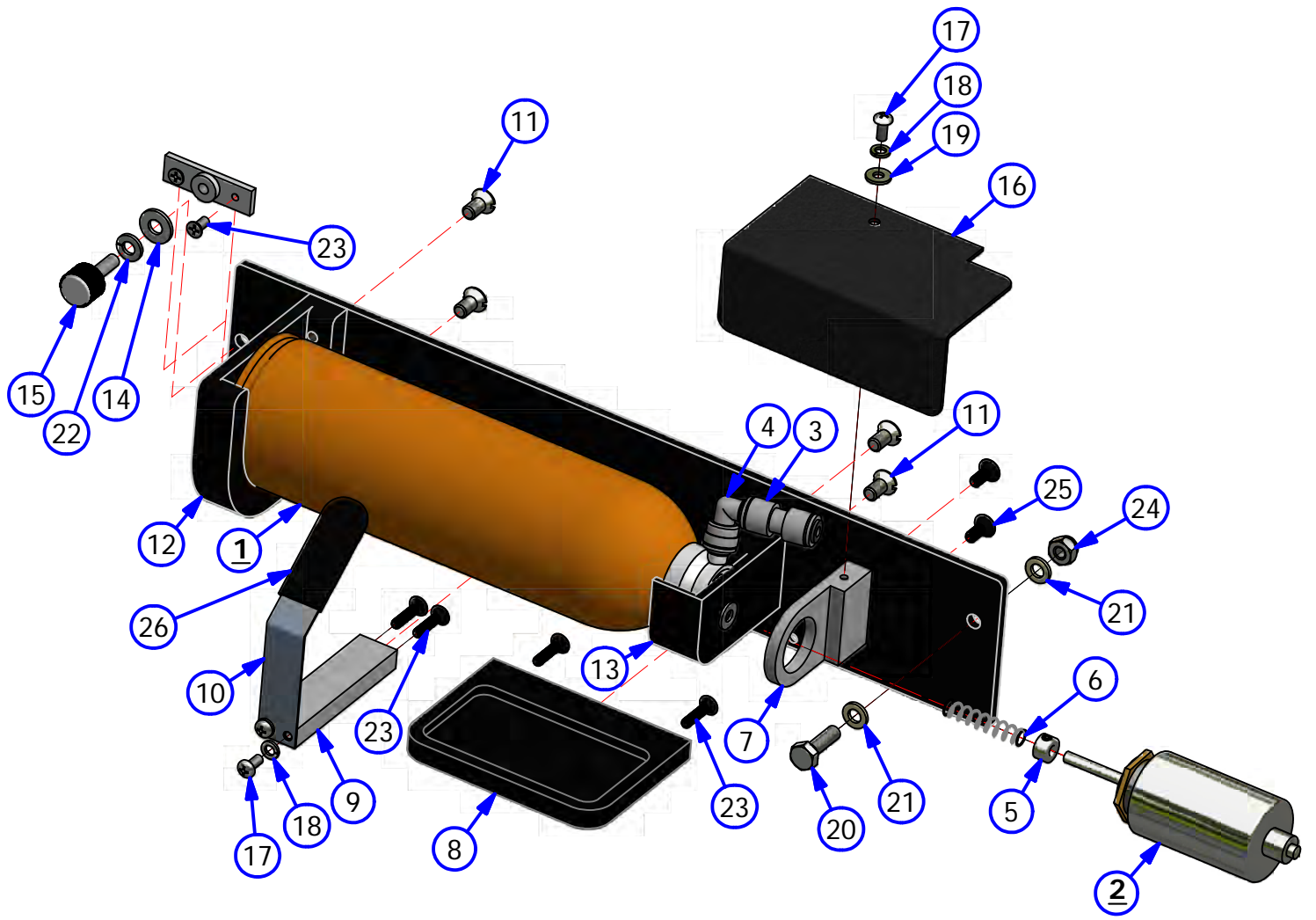


EXPLODED VIEW A

PINDECK TREATMENT ASSEMBLY

REV. 3/16

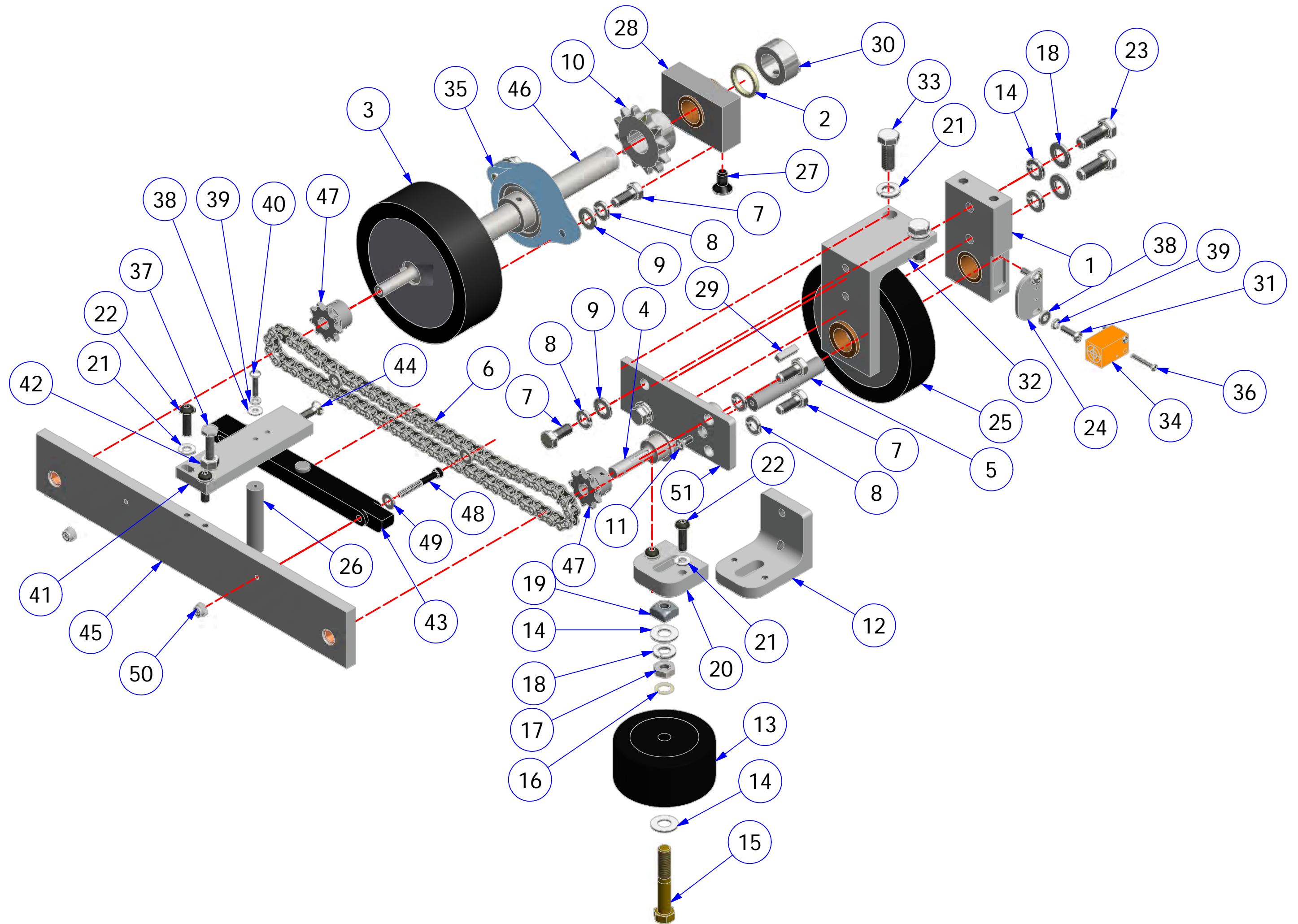
<u>INDEX</u> <u>NUMBER</u>	<u>QTY.</u>	<u>PART</u> <u>NUMBER</u>	<u>DESCRIPTION</u>	<u>UOM</u>
<u>1</u>	1	156-8310	SPOT ON PINDECK TREATMENT (CASE OF 4)	EA
<u>2</u>	1	164-8226	PINDECK SPRAY SOLENOID	EA
3	1	154-0248	REDUCING UNION	EA
4	1	154-0222	ELBOW 1/4" STEM X 1/4" TUBING OD	EA
5	1	164-2065	SHAFT COLLAR 3/16"	EA
6	1	164-1227	SOLENOID SPRING ASSEMBLY	EA
7	1	164-6242	SOLENOID BRACKET ASSEMBLY	EA
8	1	164-6245	DRIP TRAY ASSEMBLY	EA
9	1	164-6241	CAN CLIP BRACKET	EA
10	1	164-6240	CAN CLIP	EA
11	4	153-2742	FHMS 1/4-20 X 1/2	EA
12	1	164-6238	CAN CRADLE BOTTOM	EA
13	1	164-6237	CAN CRADLE TOP	EA
14	1	153-2004	FLAT WASHER 1/4"	EA
15	1	164-2016	THUMB SCREW - KNURLED HEAD	EA
16	1	164-6246	SOLENOID COVER	EA
17	3	153-2086A	MS PHILLIPS 8-32 X 3/8	EA
18	3	153-2013	LOCK WASHER #10	EA
19	1	153-2002	FLAT WASHER #10	EA
20	1	153-2052	HHCS 1/4-20 X 1"	EA
21	1	153-2510	NYLON WASHER 1/4"	EA
22	1	153-2014	LOCK WASHER 1/4"	EA
23		153-2542	FHSS ALLEN 8-32 X 3/4	EA
24	1	153-2020	LOCKNUT (NYLOCK 1/4")	EA
25	1	153-2998	FHCS SCREW 10-24 X 1/2" BLACK OXID	EA
26	1	164-2053	RECTANGLE CAP	EA



ZTR ASSEMBLY - LEFT

REV. 3/16

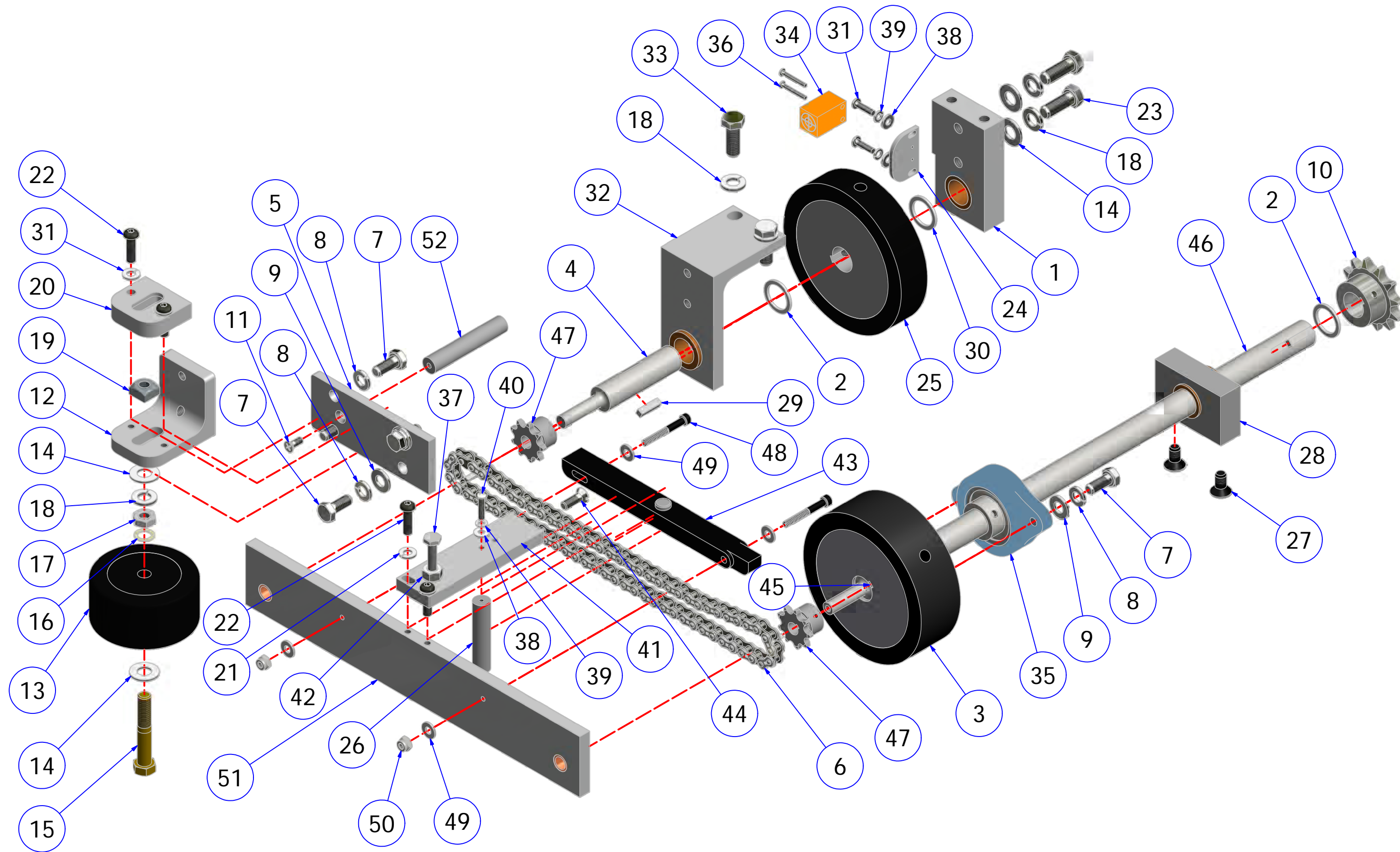
<u>INDEX NUMBER</u>	<u>QTY.</u>	<u>PART NUMBER</u>	<u>DESCRIPTION</u>	<u>UOM</u>
1	1	164-6034	KICK UP WHEEL MOUNTING BLOCK	EA
2	3	153-2939	NYLON WASHER 3/4" X 1/16"	EA
3	2	158-7001	DRIVE WHEEL 4.5 IN	EA
4	1	164-6030	FLEX KICK-UP WHEEL SHAFT	EA
5	1	158-6705	BUMPER WHEEL SIDE POST	EA
6	1	164-9005	CHAIN (35P67) ZTR KICKUP	EA
7	6	153-2602	HHCS - 5/16-18 X 3/4	EA
8	6	153-2015	5/16 LOCKWASHER	EA
9	4	153-2005	5/16 FLATWASHER	EA
10	1	158-9602	SPROCKET 40BAH 3/4 BORE WITH KEYWAY AND SET	EA
11	1	153-2604	MS FLAT PHILLIPS - 10-32 X 1/2	EA
12	1	164-6038	BUMPER WHEEL MOUNT ANGLE	EA
13	1	153-7203	BUMPER WHEEL	EA
14	2	153-2006	3/8 FLATWASHER	EA
15	1	153-2815	HHCS - 3/8-16 X 2-1/4 (GRADE 8)	EA
16	1	153-2531	NYLON FLAT WASHER - 3/8 (0.030)	EA
17	1	153-2027	JAM NUT - 3/8-16	EA
18	1	153-2016	3/8 LOCKWASHER	EA
19	1	164-2005	SQUARE NUT - 3/8-16	EA
20	1	164-6039	BUMPER WHEEL NUT RETAINER	EA
21	4	153-2014	1/4 LOCKWASHER	EA
22	4	153-2052A	BHSS - 1/4-20 X 7/8	EA
23	2	153-2066	HHCS - 3/8-16 X 1	EA
24	1	164-6222	ZTR PROXIMITY SENSOR MOUNT	EA
25		164-7002A	1" WIDE KICK UP WHEEL ASSEMBLY	EA
26	1	164-6162	GUARD STAND OFF	EA
27	2	153-2802A	FHSS - 5/16 X 5/8	EA
28	1	158-8601	ZTR SHAFT BUSHING BLOCK ASSEMBLY	EA
29	1	153-2100	KEYSTOCK - 3/16 X 3/4	EA
30	1	153-2937	SHAFT COLLAR 3/4" ID	EA
31	2	153-2086	MS PHILLIPS - 8-32 X 5/8	EA
32	1	164-8220	KICK UP WHEEL ANGLE ASSEMBLY	EA
33	2	153-2055	HHCS - 1/4-20 X 1-1/2	EA
34	1	154-1220	INDUCTIVE PROXIMITY SENSOR	EA
35	1	153-9816	3/4 IN FLANGED BEARING - 5/16-18 TAPPED	EA
36	2	153-2216A	MS PHILLIPS - 4-40 X 7/8	EA
37	1	153-2528	HHCS - 1/4"-20 X 1-3/4"	EA
38	1	153-2002	#8 FLATWASHER	EA
39	1	153-2013	#10 LOCKWASHER	EA
40	1	153-2087	MS PHILLIPS - 8-32 X 3/4	EA
41	1	164-6033	FLEX ZTR SUPPORT MOUNT	EA
42	1	153-2304	JAM NUT	EA
43	1	164-6031	ZTR CHAIN TENSIONER	EA
44	1	153-2078	FHMS - 1/4-20 X 3/4"	EA
45	1	164-6040	FLEX ZTR SHAFT SUPPORT	EA
46	1	164-6028	FLEX ZTR DRIVE SHAFT - LEFT	EA
47	2	164-9003	SPROCKET - 40B10 (5/8")	EA
48	2	164-2004	SHCS - 10-24 X 1-1/2	EA
49	2	153-2035	BLIND RIVET WASHER - 3/16	EA
50	2	153-2208	LOCKNUT - 10-24 (NYLOK)	EA
51	1	164-6221	BUMPER WHEEL PLATE	EA



ZTR ASSEMBLY - RIGHT

REV. 3/16

<u>INDEX NUMBER</u>	<u>QTY.</u>	<u>PART NUMBER</u>	<u>DESCRIPTION</u>	<u>UOM</u>
1	1	164-8219	KICK UP WHEEL MOUNTING BLOCK	EA
2	2	153-2939	NYLON WASHER 3/4" X 1/16"	EA
3	1	158-7001	DRIVE WHEEL 4.5 IN	EA
4	1	164-6030	FLEX KICK-UP WHEEL SHAFT	EA
5	1	164-6221	BUMPER WHEEL PLATE	EA
6	1	164-9005	CHAIN (35P67) ZTR KICKUP	EA
7	6	153-2602	HHCS - 5/16-18 X 3/4	EA
8	6	153-2015	5/16 LOCKWASHER	EA
9	4	153-2005	5/16 FLATWASHER	EA
10	1	158-9602	SPROCKET 40BAH 3/4 BORE WITH KEYWAY AND SET	EA
11	1	153-2604	MS FLAT PHILLIPS - 10-32 X 1/2	EA
12	1	164-6038	BUMPER WHEEL MOUNT ANGLE	EA
13	1	153-7203	BUMPER WHEEL	EA
14	2	153-2006	3/8 FLATWASHER	EA
15	1	153-2815	HHCS - 3/8-16 X 2-1/4 (GRADE 8)	EA
16	1	153-2531	NYLON FLAT WASHER - 3/8 (0.030)	EA
17	1	153-2027	JAM NUT - 3/8-16	EA
18	1	153-2016	3/8 LOCKWASHER	EA
19	1	164-2005	SQUARE NUT - 3/8-16	EA
20	1	164-6039	BUMPER WHEEL NUT RETAINER	EA
21	4	153-2014	1/4 LOCKWASHER	EA
22	4	153-2052A	BHSS - 1/4-20 X 7/8	EA
23	2	153-2066	HHCS - 3/8-16 X 1	EA
24	1	164-6222	ZTR PROXIMITY SENSOR MOUNT	EA
25		164-7002A	1" WIDE KICK UP WHEEL ASSEMBLY	EA
26	1	164-6162	GUARD STAND OFF	EA
27	2	153-2802	FHSS - 5/16 X 5/8	EA
28	1	158-8601	ZTR SHAFT BUSHING BLOCK ASSEMBLY	EA
29	1	153-2100	KEYSTOCK - 3/16 X 3/4	EA
30	1	158-9601	BUSHING FLANGED - 3/4 ID X 7/8 OD	EA
31	2	153-2086	MS PHILLIPS - 8-32 X 5/8	EA
32	1	164-8220	KICK UP WHEEL ANGLE ASSEMBLY	EA
33	4	153-2066	HHCS - 3/8-16 x 1	EA
34	1	154-1220	INDUCTIVE PROXIMITY SENSOR	EA
35	1	153-9816	3/4 IN FLANGED BEARING - 5/16-18 TAPPED	EA
36	2	153-2216A	MS PHILLIPS - 4-40 X 7/8	EA
37	1	153-2528	HHCS - 1/4"-20 X 1-3/4"	EA
38	1	153-2002	#8 FLATWASHER	EA
39	1	153-2013	#10 LOCKWASHER	EA
40	1	153-2087	MS PHILLIPS - 8-32 X 3/4	EA
41	1	164-6033	FLEX ZTR SUPPORT MOUNT	EA
42	1	153-2304	JAM NUT	EA
43	1	164-6031	ZTR CHAIN TENSIONER	EA
44	1	153-2078	FHMS - 1/4-20 X 1" SELF LOCKING	EA
45	1	153-2102	KEYSTOCK - 3/16 X 1-1/4"	EA
46	1	164-6029	FLEX ZTR DRIVE SHAFT - RIGHT	EA
47	2	164-9003	SPROCKET - 40B10 (5/8")	EA
48	2	164-2004	SHCS - 10-24 X 1-1/2	EA
49	4	153-2035	BLIND RIVET WASHER - 3/16	EA
50	2	153-2208	LOCKNUT - 10-24 (NYLOK)	EA
51	1	164-6040	FLEX ZTR SHAFT SUPPORT	EA
52	1	158-6705	BUMPER WHEEL SIDE POST	EA



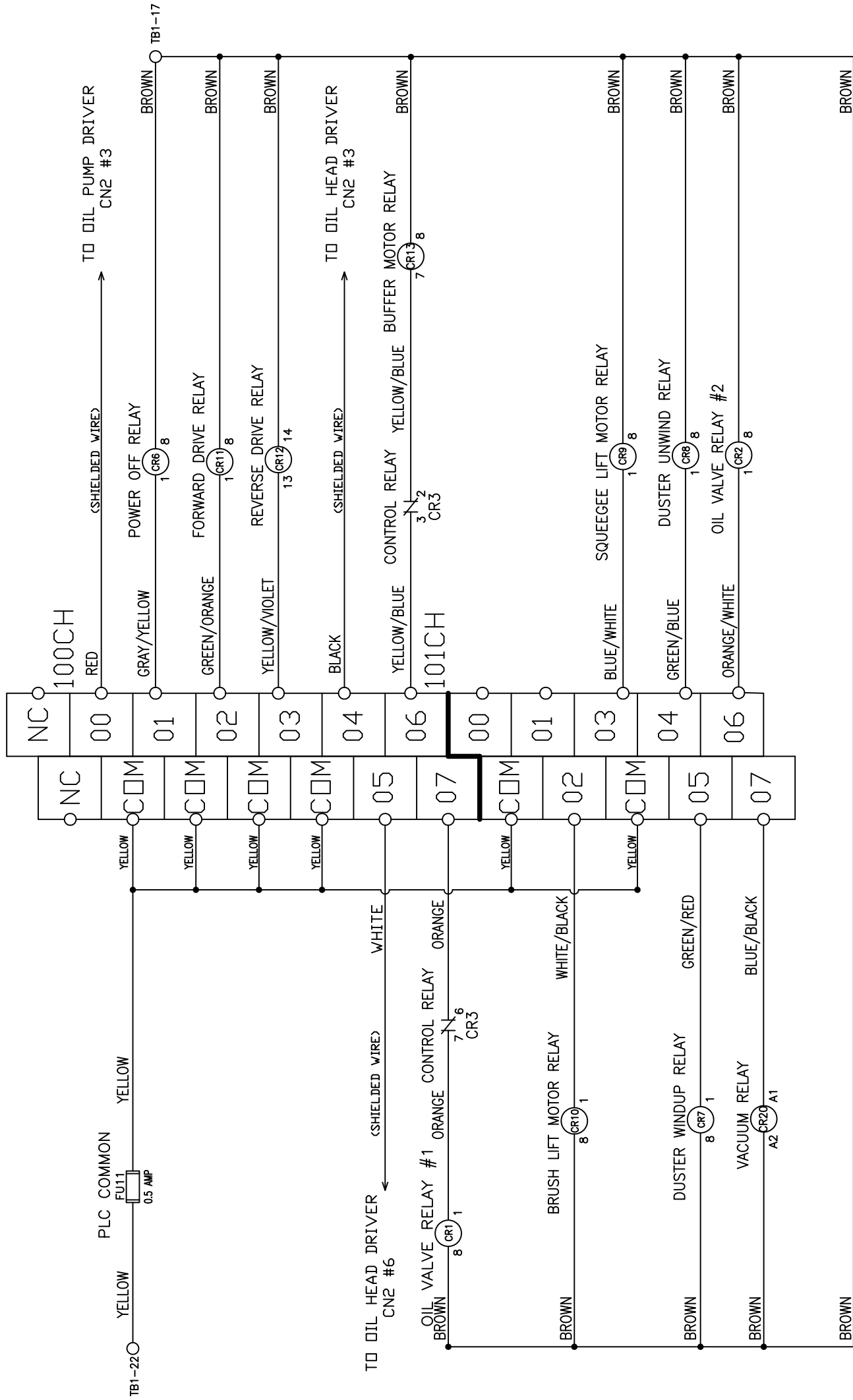
CHAPTER 9

FLEX ELECTRICAL DRAWINGS

The following diagrams show wiring schematics for the Kustodian Walker. Detailed diagrams for the Ion follow this section. If you have any questions please call 863-734-0200 or email tech@kegel.net.

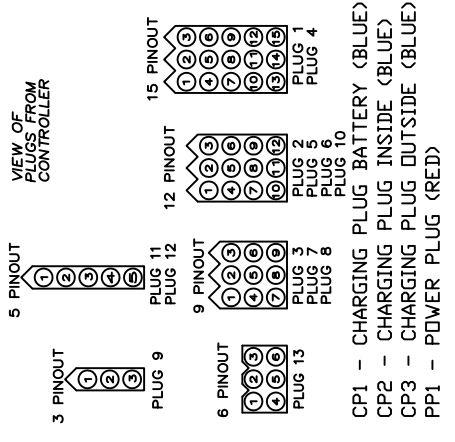
Flex Motor Wiring Layout.....	230
Flex Output Wiring Layout.....	231
Flex Input Wiring Layout.....	232
Flex Speed Control Wiring Layout.....	233
Flex Analog Wiring Layout.....	234
Flex Terminal Block Wiring Layout.....	235
Flex Power Wiring Layout.....	236
Flex Voltage Regulator Wiring Layout.....	237
Flex Oil Pump Driver & Motor Wiring Layout.....	238
Flex Oil-Cleaner Head Driver & Motor Wiring Layout.....	239
Flex L-R & R-L Head Proximity Sensor Wiring Layout.....	240
Flex Oil Valves Wiring Layout.....	241
Flex Buffer Motor Wiring Layout.....	242
Flex Variable Buffer Wiring Layout.....	243
Flex Brush Lift Motor Wiring Layout.....	244
Flex Vacuum Wiring Layout.....	245
Flex Squeegee Motor & Switch Wiring Layout.....	246
Flex Duster Unwind Motor & Switch Wiring Layout.....	247
Flex Duster Windup Motor & Switch Wiring Layout.....	248
Flex Cleaner Pump #1 Wiring Layout.....	249
Flex Cleaner Pump #2 Wiring Layout.....	250
Flex Start Button & Duster Presoak Button Wiring Layout.....	251
Flex Oil Float & Cleaner Float Wiring Layout.....	252
Flex Speed Tach & LDS Wiring Layout.....	253
Flex LED Tank Light Wiring Layout.....	254
Flex Trigger Solenoid Wiring Layout.....	255

DMRON
SYSMAC
CPIH
OUTPUTS



LEGEND

- CR1 - OIL VALVE RELAY TANK A
 - CR2 - OIL VALVE RELAY TANK B
 - CR3 - CONTROL RELAY
 - CR4 - DUSTER POLARITY SWITCH RELAY
 - CR5 - PIN DECK TREATMENT RELAY
 - CR6 - POWER OFF RELAY
 - CR7 - DUSTER WINDUP MOTOR RELAY
 - CR8 - DUSTER UNWIND MOTOR RELAY
 - CR9 - SQUEEGEE LIFT MOTOR RELAY
 - CR10 - BRUSH LIFT MOTOR RELAY
 - CR11 - FORWARD DRIVE MOTOR RELAY
 - CR12 - REVERSE DRIVE MOTOR RELAY
 - CR13 - BUFFER MOTOR RELAY
 - CR14 -
 - CR15 -
 - CR16 -
 - CR17 -
 - CR18 - VACUUM MOTOR RELAY
 - CR20 - POWER RELAY
- FU1 - DRIVE MOTOR 7.5A
 - FU2 - BUFFER MOTOR 10A/20A
 - FU3 - VACUUM MOTOR 20A
 - FU4 - DUSTER UNWIND 3.2A
 - FU5 - DUSTER WINDUP 3.2A
 - FU6 - SQUEEGEE MOTOR 3.2A
 - FU7 - BRUSH LIFT MOTOR 3.2A
 - FU8 - HEAD DRIVE MOTOR 2.25A
 - FU9 - OIL PUMP MOTOR 2.25A
 - FU10 - PLC INPUT POWER/L1 0.5A
 - FU11 - PLC OUTPUT COMMON 0.5A
 - FU12 - TOUCH SCREEN 0.5A
 - FU13 - CLEANER PUMP #1 3.2A
 - FU14 - CLEANER PUMP #2 3.2A
 - FU15 - CVR POWER 25A/30A
 - FU16 - LED LIGHTS 1A
 - FU17 - TRIGGER SOLENOID 3.2A
- PL1 - 10-PIN SIDE PLUG (15)
 - PL2 - 10-PIN SIDE PLUG (12)
 - PL3 - 10-PIN SIDE PLUG (9)
 - PL4 - 7-PIN SIDE PLUG (15)
 - PL5 - 7-PIN SIDE PLUG (12)
 - PL6 - DRIVE SPEED BOARD PLUG (12)
 - PL7 - CLEANER PUMP #1 SPEED BOARD PLUG (9)
 - PL8 - CLEANER PUMP #2 SPEED BOARD PLUG (9)
 - PL9 -
 - PL10 - BUFFER SPEED BOARD PLUG (12)
 - PL11 - BUFFER MOTOR PLUG (5)
 - PL12 - BUFFER MOTOR VARIABLE SPEED PLUG (5)
 - PL13 - OIL PLATE ASSEMBLY PLUG (6)
- TB1 - TERMINAL BLOCK 1 (MAIN)
 - TB2 - TERMINAL BLOCK 2 (10-PIN SIDE)
 - TB3 - TERMINAL BLOCK 3 (7-PIN SIDE)
 - TB4 - TERMINAL BLOCK 4 (OIL PLATE)

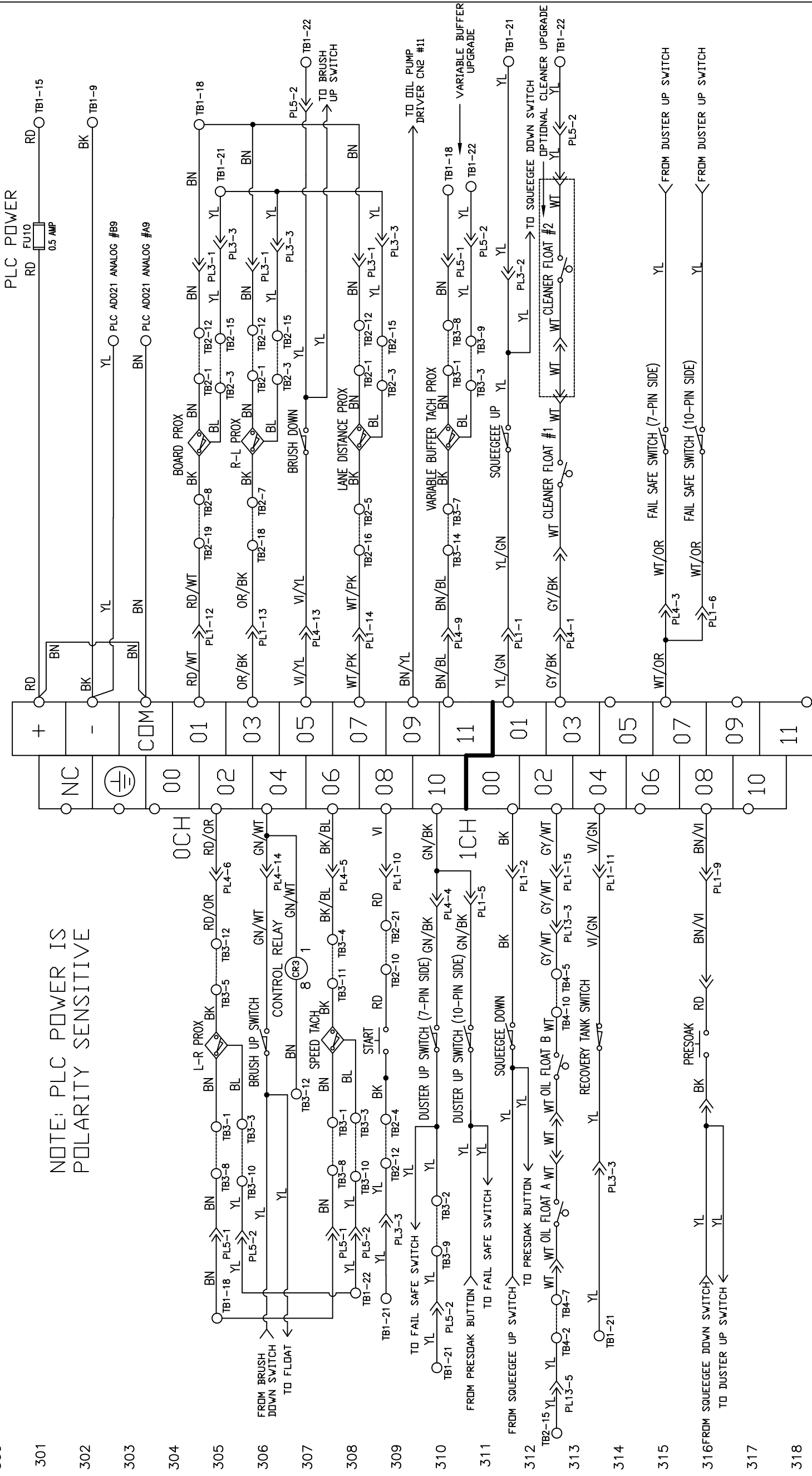


MATERIAL		N/A	
DESCRIPTION		OUTPUT WIRING SCHEMATIC	
DRAWN BY	DATE	SIZE	DO NOT SCALE DRAWING
SLS	07/20/15	C	N/A
APPROVED:	REV DATE	MP	FLEX 2016
DOC REV	SCALE	N/A	SHEET 2 OF 26

1951 LONGLEAF BLVD.
LAKE WALES, FL 33869
(888) 794-0200

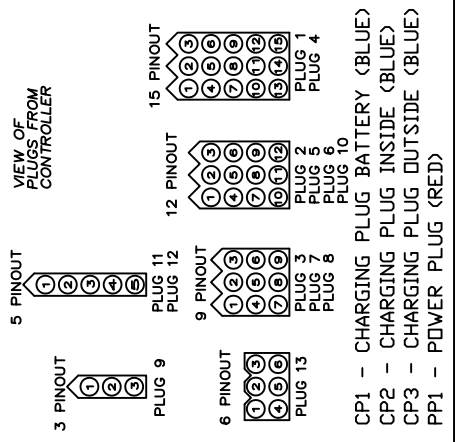
OMRON SYSMAC CP1H INPUTS

NOTE: PLC POWER IS
POLARITY SENSITIVE



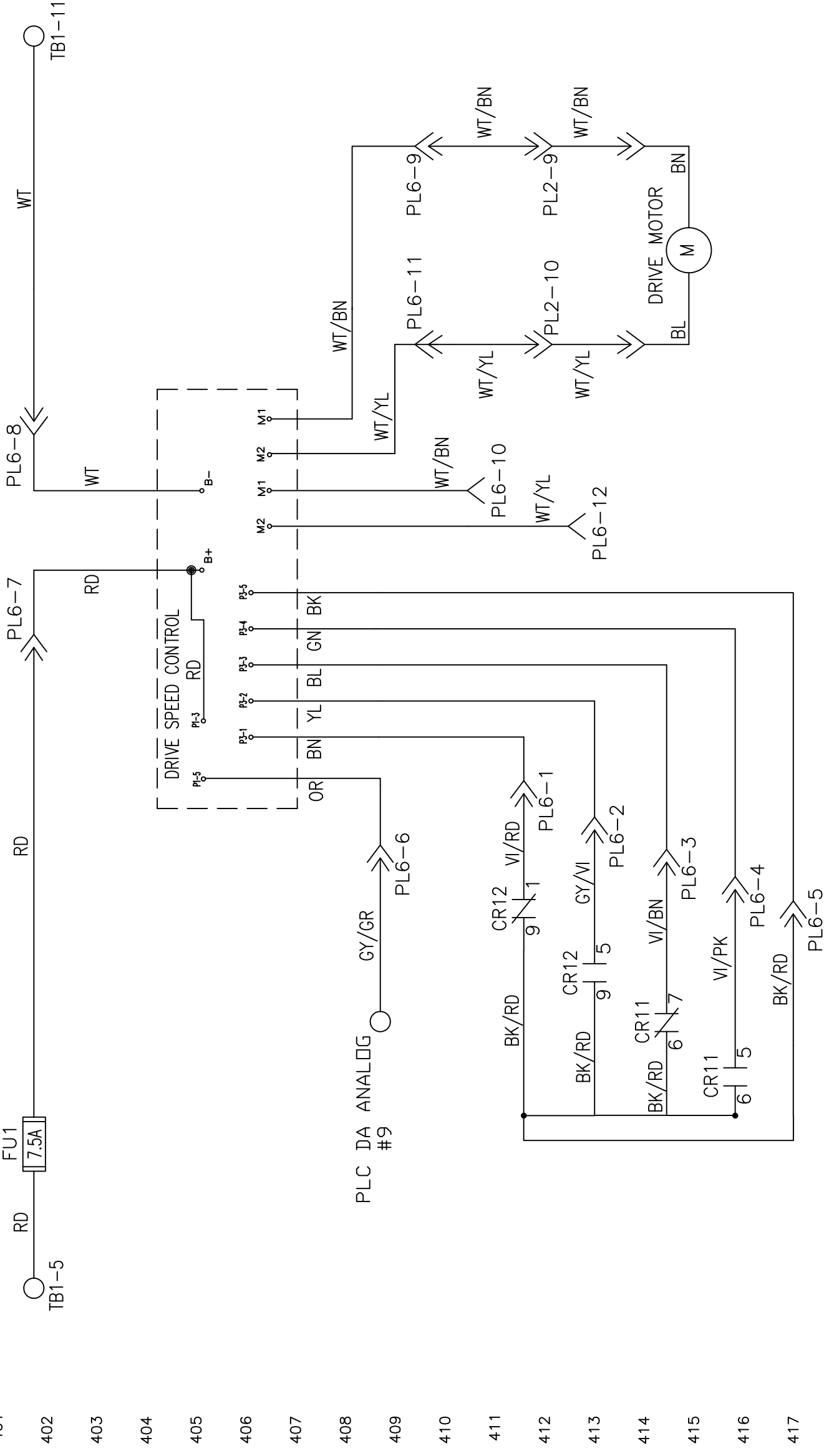
LEGEND

- CR1 - OIL VALVE RELAY TANK A
- CR2 - OIL VALVE RELAY TANK B
- CR3 - CONTROL RELAY
- CR4 - DUSTER POLARITY SWITCH RELAY
- CR5 - PIN DECK TREATMENT RELAY
- CR6 - POWER OFF RELAY
- CR7 - DUSTER WINDUP MOTOR RELAY
- CR8 - DUSTER UNWIND MOTOR RELAY
- CR9 - SQUEEGEE LIFT MOTOR RELAY
- CR10 - BRUSH LIFT MOTOR RELAY
- CR11 - FORWARD DRIVE MOTOR RELAY
- CR12 - REVERSE DRIVE MOTOR RELAY
- CR13 - BUFFER MOTOR RELAY
- CR14 -
- CR15 -
- CR16 -
- CR17 -
- CR18 - VACUUM MOTOR RELAY
- CR20 - POWER RELAY
- FU1 - DRIVE MOTOR 7.5A
- FU2 - BUFFER MOTOR 10A/20A
- FU3 - VACUUM MOTOR 20A
- FU4 - DUSTER UNWIND 3.2A
- FU5 - DUSTER WINDUP 3.2A
- FU6 - SQUEEGEE MOTOR 3.2A
- FU7 - BRUSH LIFT MOTOR 3.2A
- FU8 - HEAD DRIVE MOTOR 2.25A
- FU9 - OIL PUMP MOTOR 2.25A
- FU10 - PLC INPUT POWER/L1 0.5A
- FU11 - PLC OUTPUT COMMON 0.5A
- FU12 - TOUCH SCREEN 0.5A
- FU13 - CLEANER PUMP #1 3.2A
- FU14 - CLEANER PUMP #2 3.2A
- FU15 - CVR POWER 25A/30A
- FU16 - LED LIGHTS 1A
- FU17 - TRIGGER SOLENOID 3.2A
- PL1 - 10-PIN SIDE PLUG (15)
- PL2 - 10-PIN SIDE PLUG (12)
- PL3 - 10-PIN SIDE PLUG (9)
- PL4 - 7-PIN SIDE PLUG (15)
- PL5 - 7-PIN SIDE PLUG (12)
- PL6 - DRIVE SPEED BOARD PLUG (12)
- PL7 - CLEANER PUMP #1 SPEED BOARD PLUG (9)
- PL8 - CLEANER PUMP #2 SPEED BOARD PLUG (9)
- PL9 -
- PL10 - BUFFER SPEED BOARD PLUG (12)
- PL11 - BUFFER MOTOR PLUG (5)
- PL12 - BUFFER MOTOR VARIABLE SPEED PLUG (5)
- PL13 - OIL PLATE ASSEMBLY PLUG (6)
- TB1 - TERMINAL BLOCK 1 (MAIN)
- TB2 - TERMINAL BLOCK 2 (10-PIN SIDE)
- TB3 - TERMINAL BLOCK 3 (7-PIN SIDE)
- TB4 - TERMINAL BLOCK 4 (OIL PLATE)



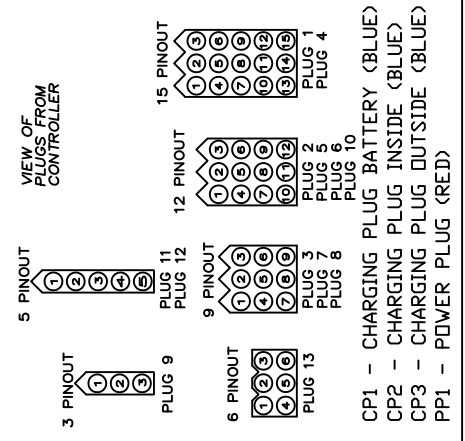
MATERIAL		N/A	
DESCRIPTION		INPUT WIRING SCHEMATIC	
DRAWN BY	DATE	SIZE	SCALE
SLS	07/20/15	C	N/A
APPROVED:	REV DATE	QTY/MACHINE PART NUMBER	SHEET
MP		FLEX	2016
DOC REV			3 OF 26

KEGEL P/N
154-1270



LEGEND

- CR1 - OIL VALVE RELAY TANK A
- CR2 - OIL VALVE RELAY TANK B
- CR3 - CONTROL RELAY
- CR4 - DUSTER POLARITY SWITCH RELAY
- CR5 - PIN DECK TREATMENT RELAY
- CR6 - POWER OFF RELAY
- CR7 - DUSTER WINDUP MOTOR RELAY
- CR8 - DUSTER UNWIND MOTOR RELAY
- CR9 - SQUEEGEE LIFT MOTOR RELAY
- CR10 - BRUSH LIFT MOTOR RELAY
- CR11 - FORWARD DRIVE MOTOR RELAY
- CR12 - REVERSE DRIVE MOTOR RELAY
- CR13 - BUFFER MOTOR RELAY
- CR14 -
- CR15 -
- CR16 -
- CR17 -
- CR18 - VACUUM MOTOR RELAY
- CR20 - POWER RELAY
- FU1 - DRIVE MOTOR 7.5A
- FU2 - BUFFER MOTOR 10A/20A
- FU3 - VACUUM MOTOR 20A
- FU4 - DUSTER UNWIND 3.2A
- FU5 - DUSTER WINDUP 3.2A
- FU6 - SQUEEGEE MOTOR 3.2A
- FU7 - BRUSH LIFT MOTOR 3.2A
- FU8 - HEAD DRIVE MOTOR 2.25A
- FU9 - OIL PUMP MOTOR 2.25A
- FU10 - PLC INPUT POWER/L1 0.5A
- FU11 - PLC OUTPUT COMMON 0.5A
- FU12 - TOUCH SCREEN 0.5A
- FU13 - CLEANER PUMP #1 3.2A
- FU14 - CLEANER PUMP #2 3.2A
- FU15 - CVR POWER 25A/30A
- FU16 - LED LIGHTS 1A
- FU17 - TRIGGER SOLENOID 3.2A
- PL1 - 10-PIN SIDE PLUG (15)
- PL2 - 10-PIN SIDE PLUG (12)
- PL3 - 10-PIN SIDE PLUG (9)
- PL4 - 7-PIN SIDE PLUG (15)
- PL5 - 7-PIN SIDE PLUG (12)
- PL6 - DRIVE SPEED BOARD PLUG (12)
- PL7 - CLEANER PUMP #1 SPEED BOARD PLUG (9)
- PL8 - CLEANER PUMP #2 SPEED BOARD PLUG (9)
- PL9 -
- PL10 - BUFFER SPEED BOARD PLUG (12)
- PL11 - BUFFER MOTOR PLUG (5)
- PL12 - BUFFER MOTOR VARIABLE SPEED PLUG (5)
- PL13 - OIL PLATE ASSEMBLY PLUG (6)
- TB1 - TERMINAL BLOCK 1 (MAIN)
- TB2 - TERMINAL BLOCK 2 (10-PIN SIDE)
- TB3 - TERMINAL BLOCK 3 (7-PIN SIDE)
- TB4 - TERMINAL BLOCK 4 (OIL PLATE)

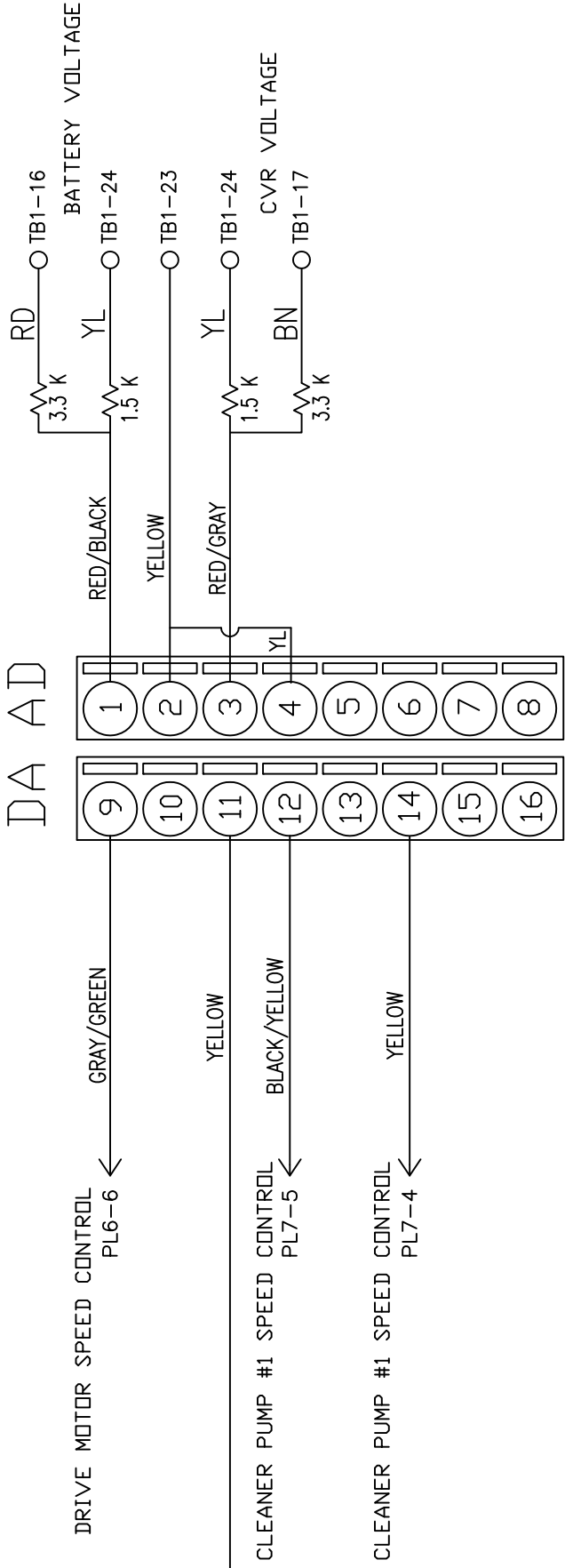


MATERIAL		N/A	
DATE	07/21/15	DO NOT SCALE DRAWING	
DRAWN BY	SLS	REV DATE	
APPROVED:	MP	SIZE	C N/A
DOC REV		SCALE	N/A
		SHEET	4 OF 26

KEGEL		1961 LONGLEAF BLVD. LAKE WALES, FL 33869 (866) 734-0200	
DESCRIPTION		SPEED CONTROL SCHEMATIC	

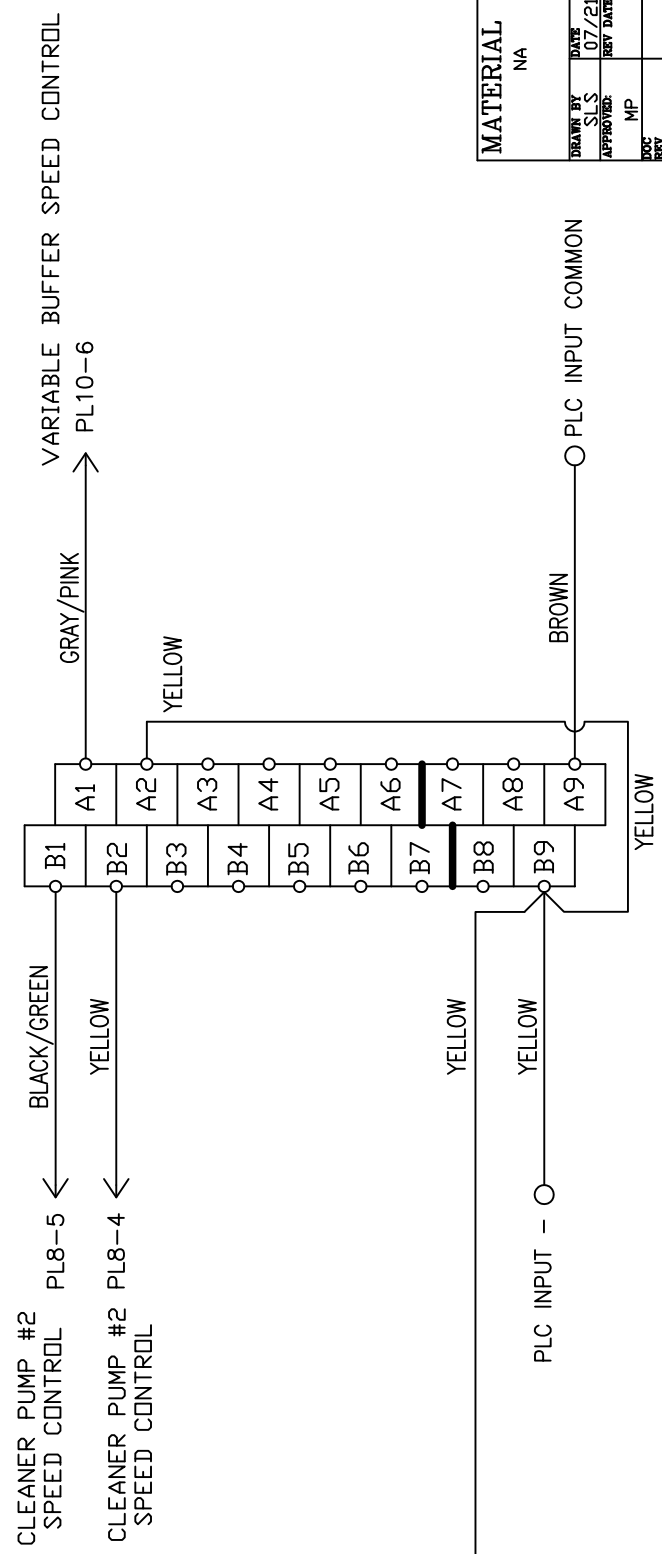
400
401
402
403
404
405
406
407
408
409
410
411
412
413
414
415
416
417
418

BUILT IN PLC ANALOG



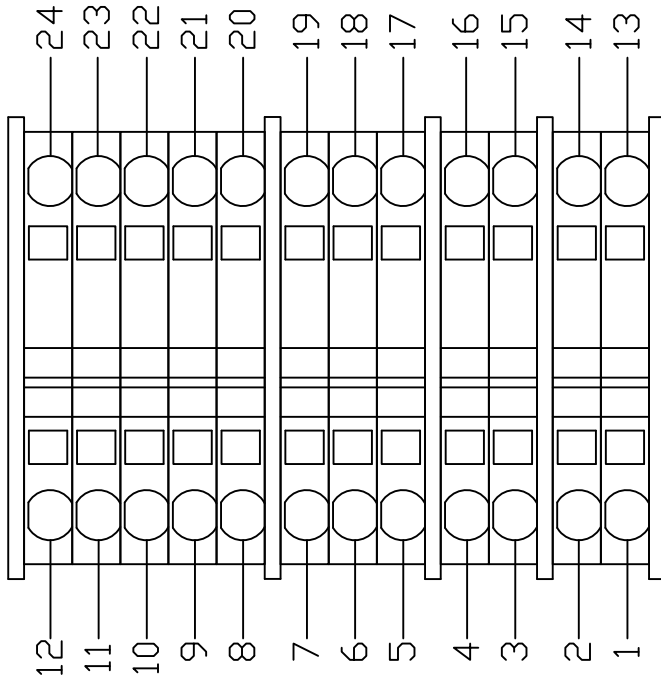
YELLOW

AD021 ANALOG ADD ON UNIT



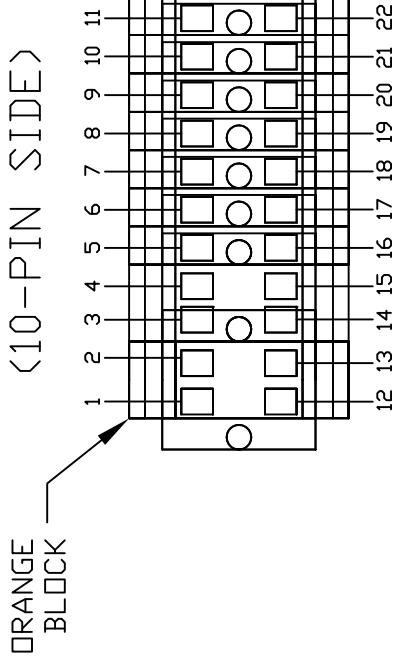
MATERIAL NA		KEGEL	
DRAWN BY SLS		DESCRIPTION ANALOG WIRING SCHEMATIC	
DATE 07/21/15		DO NOT SCALE DRAWING	
APPROVED: MP		SIZE C	
REV REV		SCALE N/A	
		SHEET 5	
		OF 26	

TB1 <MAIN>



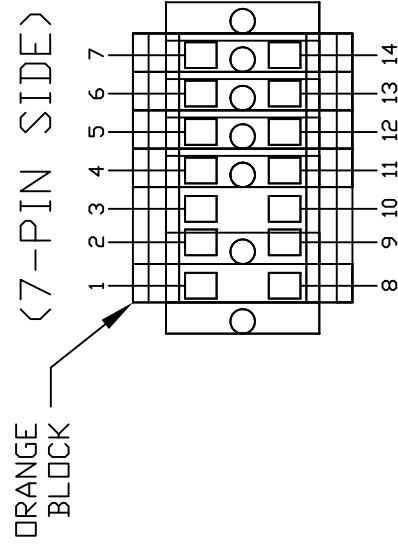
TB2

<10-PIN SIDE>



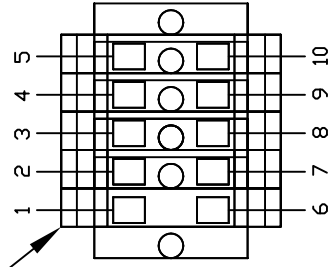
TB3

<7-PIN SIDE>



TB4

<OIL PLATE>



LEGEND

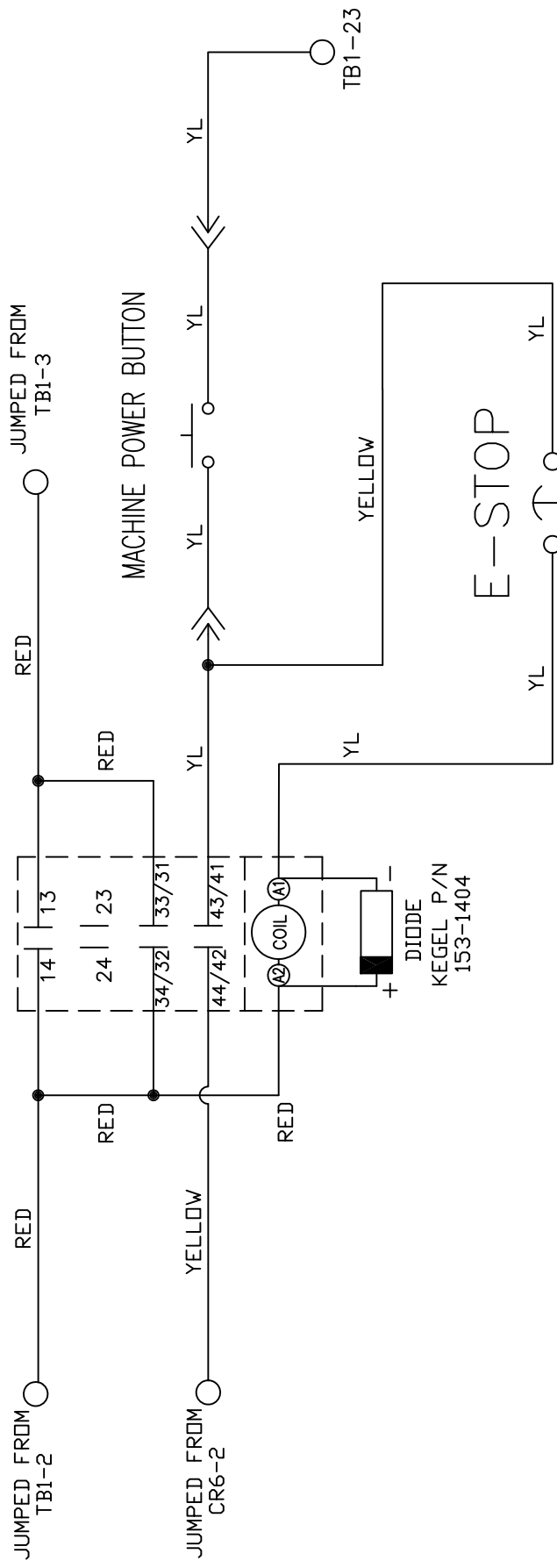
- TB1 - TERMINAL BLOCK 1 (MAIN)
- TB2 - TERMINAL BLOCK 2 (10-PIN SIDE)
- TB3 - TERMINAL BLOCK 3 (7-PIN SIDE)
- TB4 - TERMINAL BLOCK 4 (OIL PLATE)

MATERIAL NA		KEGEL 1961 LONGLEAF BLVD. LAKE WALKER, FL 33669 (813) 734-0200	
DRAWN BY SLS		DESCRIPTION TERMINAL BLOCK LAYOUT	
DATE 07/21/15		DO NOT SCALE DRAWING	
APPROVED: MP		SIZE C	
ISSUE REV		SCALE N/A	
		FLEX 2016	
		SECRET 6 OF 26	

4 3 2 1

D C B A

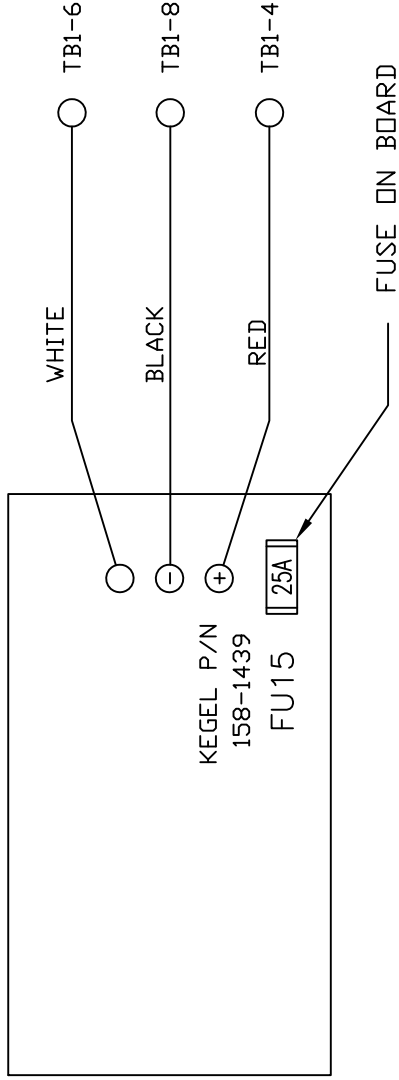
POWER RELAY
CR20



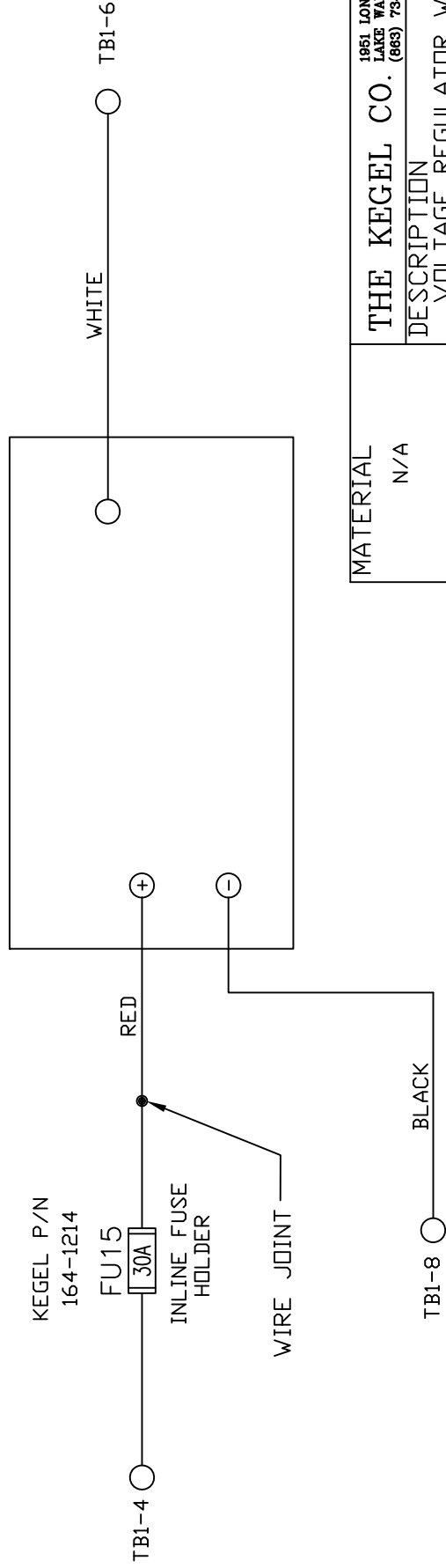
MATERIAL		THE KEGEL CO.		1951 LONGLEAF BLVD. LAKE WALES, FL 33869 (888) 734-0200	
N/A		DESCRIPTION		POWER RELAY WIRING	
DRAWN BY	DATE	DO NOT SCALE DRAWING		SIZE	QTY/MACHINE PART NUMBER
SLS	07/21/15			A	N/A
APPROVED:	REV DATE			SCALE	N/A
MP					FLEX 2016
DWG REV				SHEET	7 OF 26

4 3 2 1

VOLTAGE REGULATOR



UPGRADED VOLTAGE REGULATOR



MATERIAL		1951 LONGLEAF BLVD. LAKE WALES, FL 33859	
N/A		THE KEGEL CO. (888) 734-0200	
DRAWN BY	DATE	DESCRIPTION	
SLS	07/21/15	VOLTAGE REGULATOR WIRING	
APPROVED:	REV DATE	DO NOT SCALE DRAWING	
MP		SIZE	QTY/MACHINE PART NUMBER
		A	N/A
DOC		SCALE	N/A
REV			SHEET 8 OF 26

4 3 2 1

D C C D

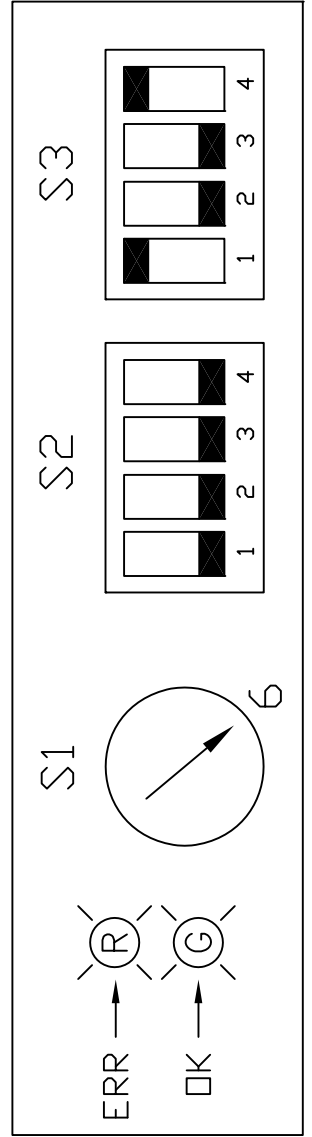
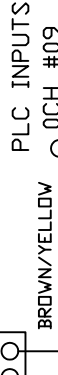
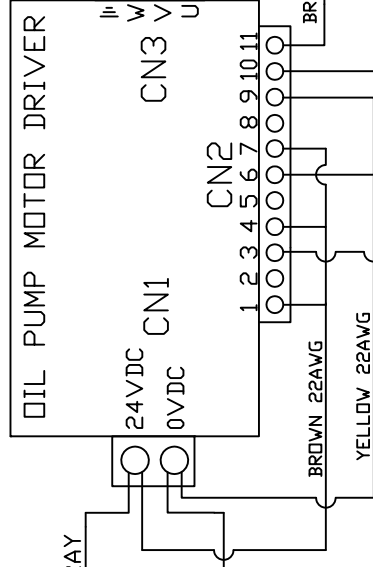
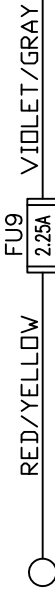
4 3 2 1

A B B A

OIL PUMP MOTOR



KEGEL P/N
154-1266



MATERIAL		THE KEGEL CO.		1951 LONGLEAF BLVD. LAKE WALES, FL 33869	
N/A		DESCRIPTION		OIL PUMP DRIVER & MOTOR WIRING	
DRAWN BY	DATE	DO NOT SCALE DRAWING		SIZE	QTY/MACHINE PART NUMBER
SLS	07/21/15			A	N/A
APPROVED:	REV DATE			SCALE	N/A
MP					FLEX 2016
DOC				SHEET	9 OF 26
REV					

OIL HEAD MOTOR



YELLOW/BLACK
WHITE/BLUE
RED/DRANGE

KEGEL P/N
154-1266
FU9

JUMPED FROM
OIL PUMP
FUSE

2.25A
WT/RD

WHITE/RED
PL4-10

OIL HEAD DRIVER

24VDC
10VDC

RED/DRANGE

WHITE/BLUE

YELLOW/BLACK

BLACK
PL4-11

BLACK

1 2 3 4 5 6 7 8 9 10 11

CN2

CN3

W V U

BROWN/YELLOW

PL5-8

OIL PUMP MOTOR
DRIVER CN2 #10

239

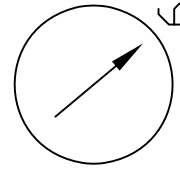
ERR



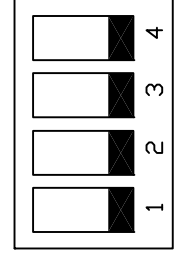
OK



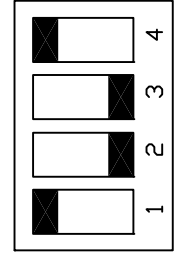
S1



S2



S3



BLACK

WHITE

SHIELDED WIRE

WHITE

BLACK

PLC OUTPUTS
CH100 #05

PLC OUTPUTS
CH100 #04

MATERIAL N/A		THE KEGEL CO. (689) 734-0200 1951 LONGLEAF BLVD. LAKE WALES, FL 33869	
DRAWN BY SLS	DATE 07/21/15	DESCRIPTION OIL HEAD DRIVER & MOTOR WIRING	
APPROVED: MP	REV DATE	DO NOT SCALE DRAWING SIZE QTY/MACHINE PART NUMBER	
DOC REV	SCALE N/A	A N/A	FLEX 2016
		SHEET 10	OF 26

4

3

2

1

4

3

2

1

D

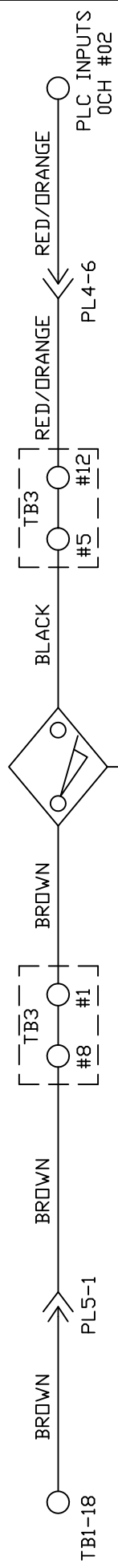
C

B

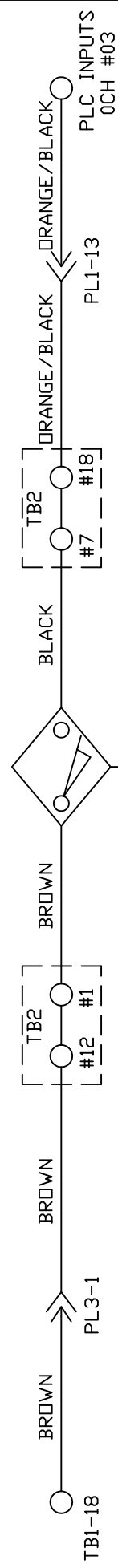
A

4 3 2 1

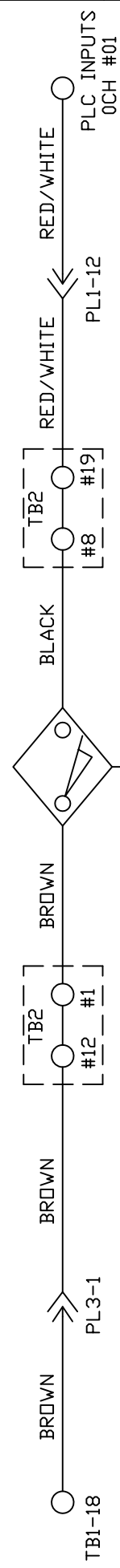
L-R HEAD PROX



R-L HEAD PROX



BOARD PROX

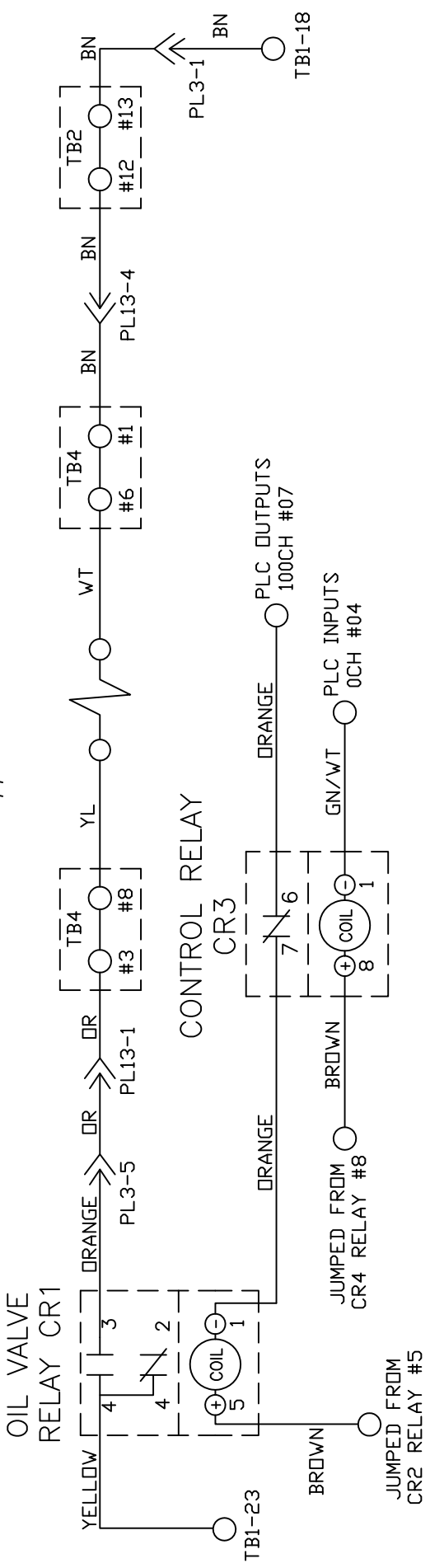


MATERIAL		1951 LONGLEAF BLVD. LAKE WALES, FL 33669	
N/A		THE KEGEL CO.	
DESCRIPTION			
L-R, R-L & BOARD PROX WIRING			
DRAWN BY	DATE	DO NOT SCALE DRAWING	
SLS	07/21/15	SIZE	QTY/MACHINE PART NUMBER
APPROVED:	REV DATE	A	N/A
MP		SCALE	FLEX 2016
DWG REV		SHEET	11 OF 26

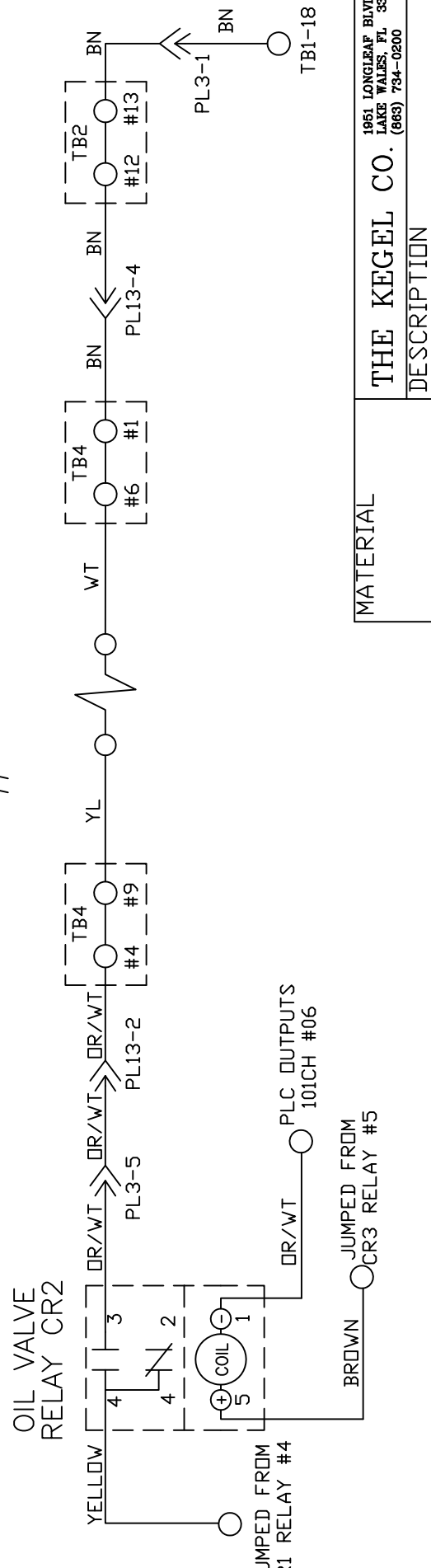
4 3 2 1

4 3 2 1

OIL VALVE #1 - TANK A



OIL VALVE #2 - TANK B



MATERIAL		THE KEGEL CO. 1951 LONGLEAF BLVD. LAKE WALES, FL 33869	
DESCRIPTION		OIL VALVES RELAY WIRING	
DRAWN BY	DATE	DO NOT SCALE DRAWING	
SLS	07/21/15	SIZE	QTY/MACHINE PART NUMBER
APPROVED:	REV DATE	A	N/A
MP		SCALE	N/A
DWG REV		SHEET	12 OF 26

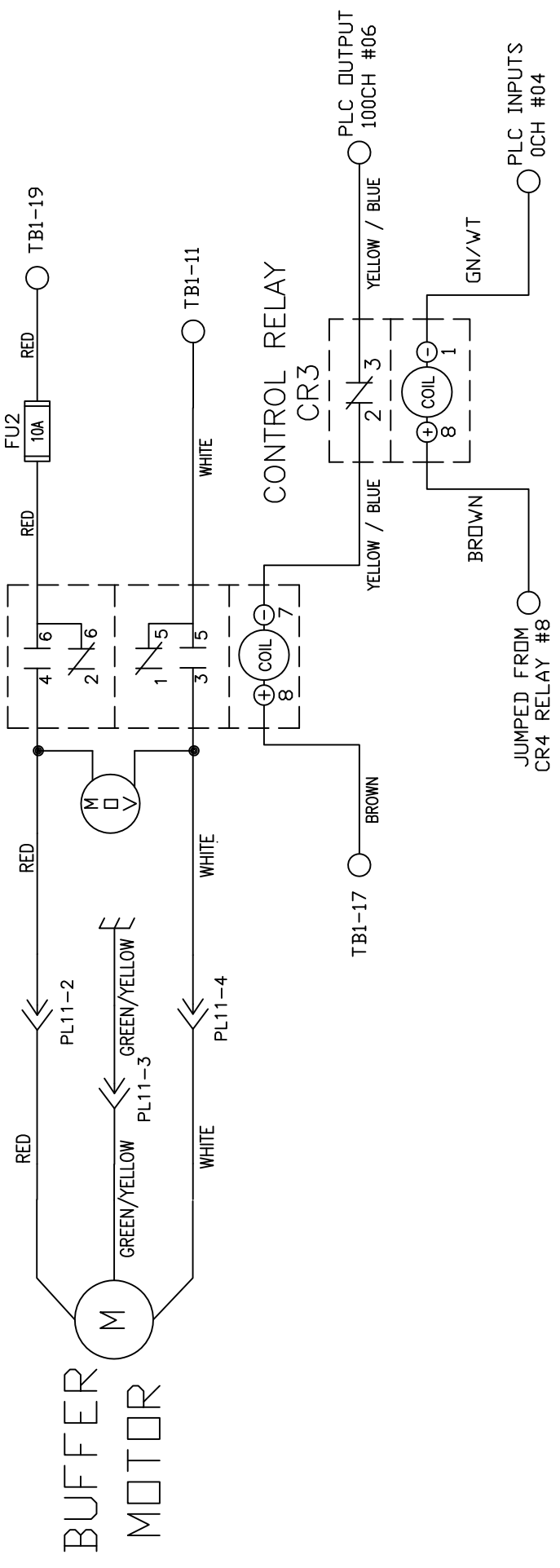
4 3 2 1

4 3 2 1

D C B A

BUFFER MOTOR RELAY CR13

KEGEL P/N
154-1273
FU2
10A



BUFFER MOTOR

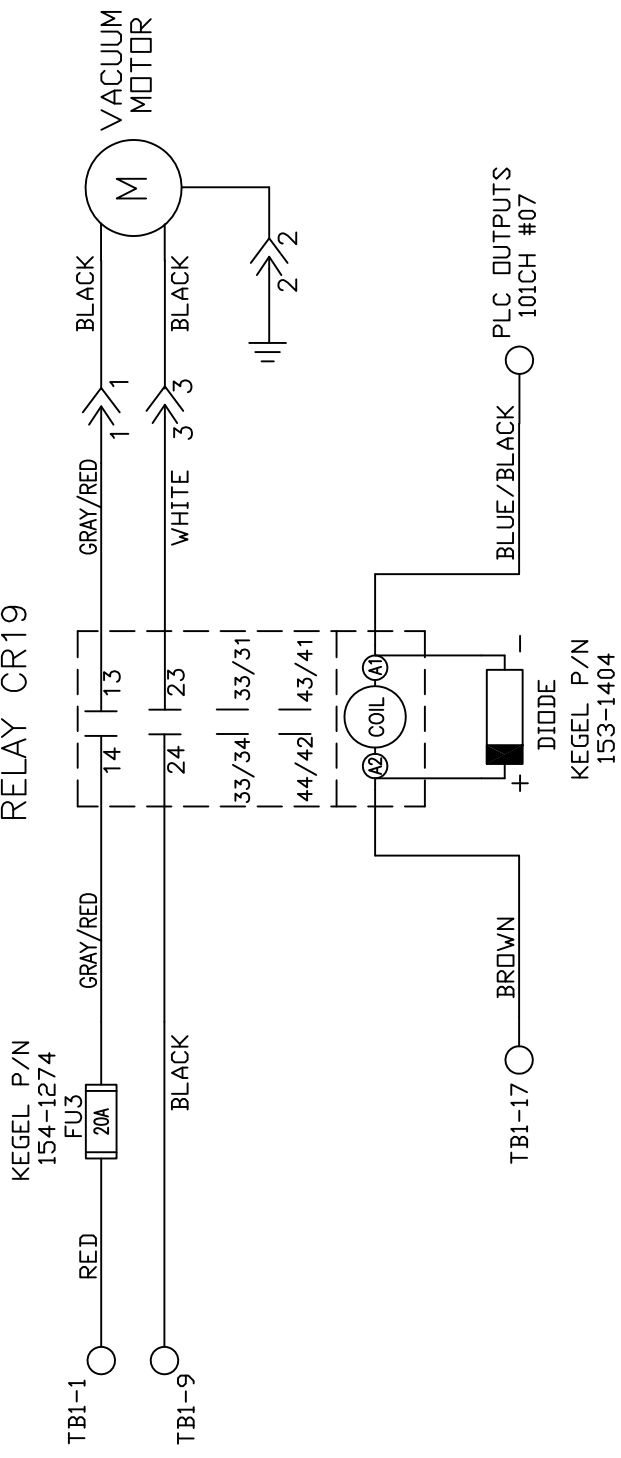
MATERIAL		THE KEGEL CO. 1951 LONGLEAF BLVD. LAKE WALES, FL 33859	
N/A		DESCRIPTION	
BUFFER MOTOR WIRING		DO NOT SCALE DRAWING	
DRAWN BY	DATE	SIZE	QTY/MACHINE PART NUMBER
SLS	07/21/15	A	N/A
APPROVED:	REV DATE	SCALE	N/A
MP			FLEX 2016
DWG REV			SHEET 13 OF 26

4 3 2 1

4 3 2 1

D C B A

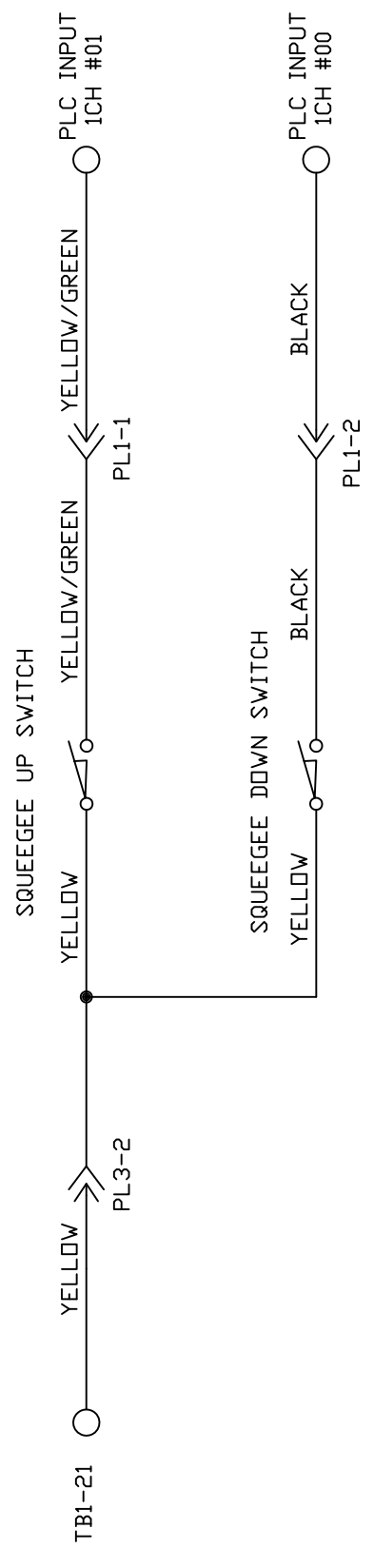
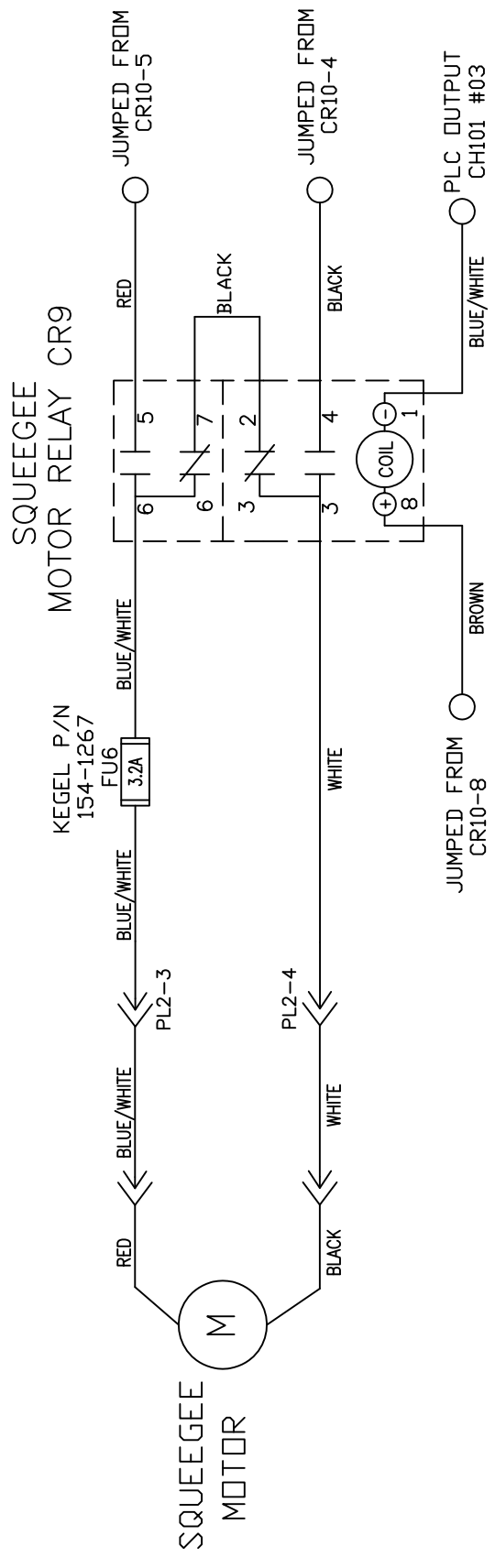
VACUUM MOTOR
RELAY CR19



MATERIAL		THE KEGEL CO.		1951 LONGLEAF BLVD. LAKE WALES, FL 33869	
N/A		DESCRIPTION		VACUUM MOTOR WIRING	
DRAWN BY	DATE	SIZE	QTY/MACHINE	PART NUMBER	DO NOT SCALE DRAWING
SLS	07/21/15	A	N/A	FLEX	2016
APPROVED:	REV DATE	SCALE	N/A	SHEET	16 OF 26
MP					
DWG	REV				

4 3 2 1

4 3 2 1



MATERIAL		THE KEGEL CO. (689) 734-0200	
N/A		1951 LONGLEAF BLVD. LAKE WALES, FL 33869	
DESCRIPTION	SQUEEGEE MOTOR & SWITCH WIRING		
DO NOT SCALE DRAWING	DO NOT SCALE DRAWING		
DATE	07/21/15	SIZE	A
REV DATE		QTY/MACHINE	N/A
MP		SCALE	N/A
DOC REV		SHEET	17 OF 26

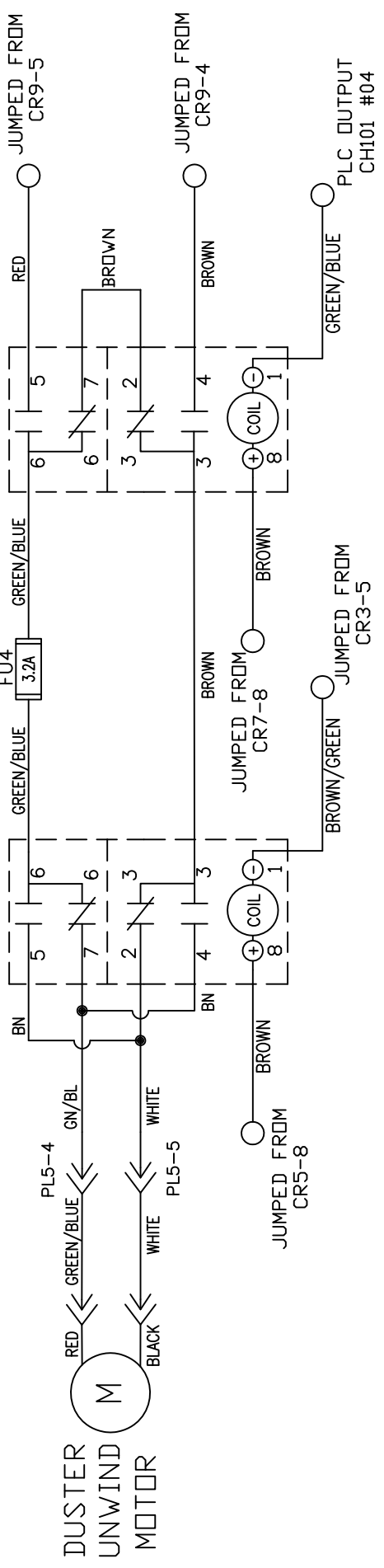
4 3 2 1

4 3 2 1

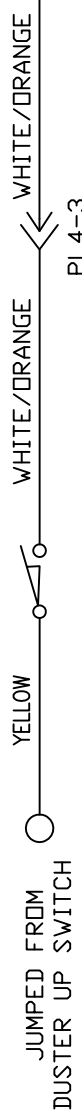
DUSTER POLARITY RELAY CR4

DUSTER UNWIND MOTOR RELAY CR8

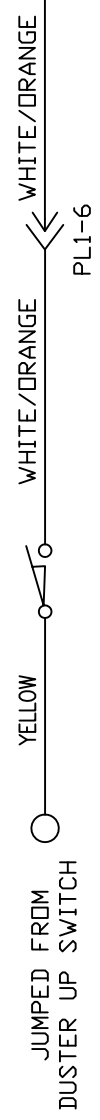
KEGEL P/N
154-1267



7-PIN SIDE
FAIL SAFE SWITCH



10-PIN SIDE
FAIL SAFE SWITCH



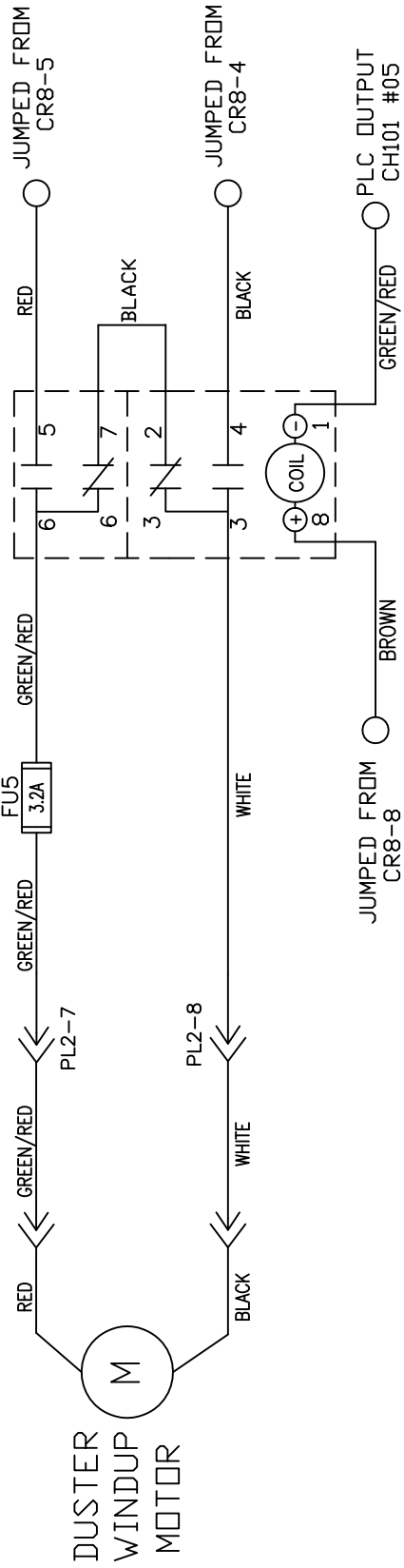
MATERIAL		THE KEGEL CO.		1951 LONGLEAF BLVD. LAKE WALES, FL 33869	
N/A		DESCRIPTION		DUSTER UNWIND & SWITCH WIRING DO NOT SCALE DRAWING	
DRAWN BY	DATE	SIZE	QTY/MACHINE	PART NUMBER	
SLS	07/21/15	A	N/A	FLEX	2016
APPROVED:	REV DATE	SCALE	N/A	SHEET	18 OF 26
MP					
DWG REV					

4 3 2 1

4 3 2 1

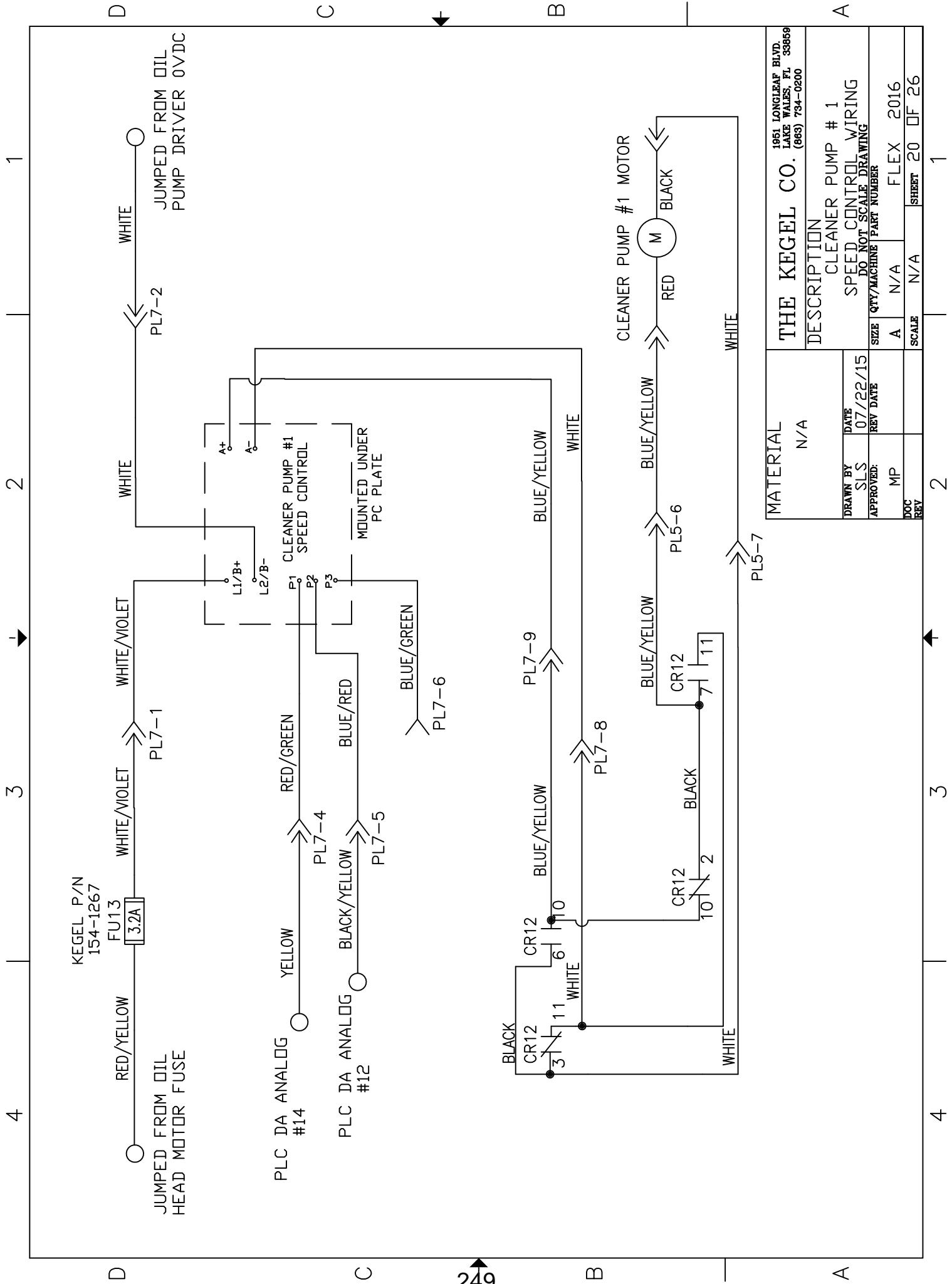
DUSTER WINDUP
MOTOR RELAY CR7

KEGEL P/N
154-1267
FU5
3.2A



MATERIAL		N/A	
DESCRIPTION		DUSTER WINDUP & SWITCH WIRING DO NOT SCALE DRAWING	
DRAWN BY	DATE	SIZE	QTY/MACHINE PART NUMBER
SLS	07/21/15	A	N/A
APPROVED:	REV DATE	SCALE	N/A
MP			FLEX 2016
DWG REV			SHEET 19 OF 26

4 3 2 1



KEGEL P/N
154-1267

FU13
3.2A

RED/YELLOW

WHITE/VIOLET

WHITE/VIOLET

WHITE

WHITE

JUMPED FROM OIL
HEAD MOTOR FUSE

JUMPED FROM OIL
PUMP DRIVER 0VDC

PLC DA ANALOG
#14

YELLOW

RED/GREEN

CLEANER PUMP #1
SPEED CONTROL

PL7-4

PL7-5

P1
P2
P3

PLC DA ANALOG
#12

BLACK/YELLOW

BLUE/RED

MOUNTED UNDER
PC PLATE

PL7-6

PL7-7

BLUE/GREEN

WHITE

BLUE/YELLOW

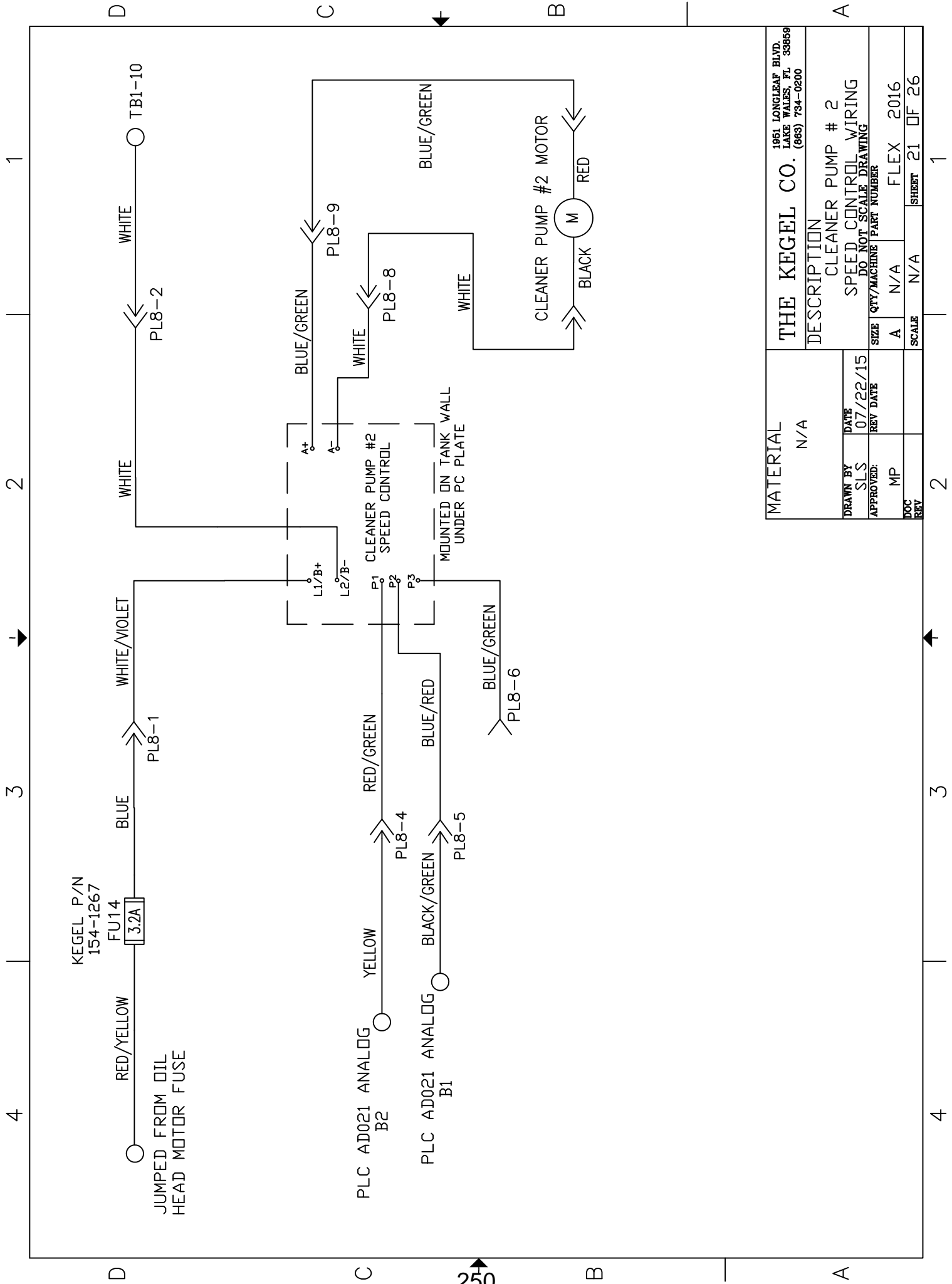
WHITE

BLACK

MATERIAL		THE KEGEL CO. 1951 LONGLEAF BLVD. LAKE WALES, FL 33869 (888) 734-0200	
N/A		DESCRIPTION	
DRAWN BY	DATE	CLEANER PUMP # 1	
SLS	07/22/15	SPEED CONTROL WIRING	
APPROVED:	REV DATE	DO NOT SCALE DRAWING	
MP		SIZE	QTY/MACHINE PART NUMBER
		A	N/A
DOC		SCALE	N/A
REV			FLEX 2016
			SHEET 20 OF 26

4 3 2 1

1 2 3 4



KEGEL P/N
154-1267

FU14
3.2A

JUMPED FROM OIL
HEAD MOTOR FUSE

PLC AD021 ANALOG
B2

PLC AD021 ANALOG
B1

RED/GREEN
PL8-4

BLUE/RED
PL8-5

BLUE/GREEN
PL8-6

CLEANER PUMP #2
SPEED CONTROL

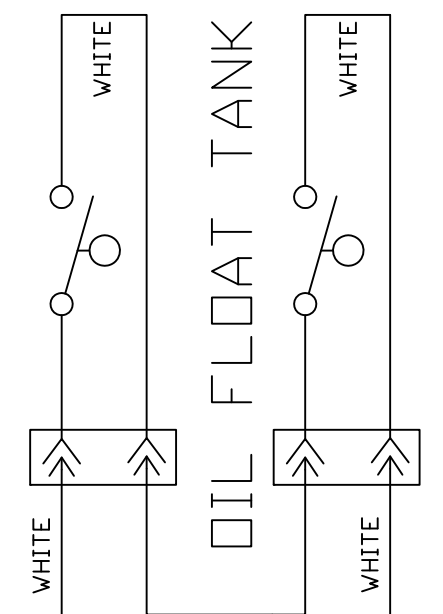
MOUNTED ON TANK WALL
UNDER PC PLATE

CLEANER PUMP #2 MOTOR

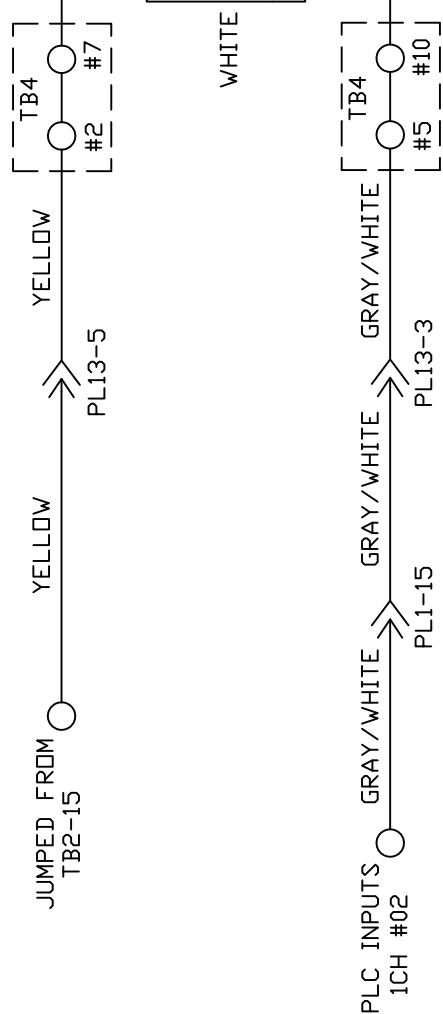
MATERIAL		THE KEGEL CO.		1951 LONGLEAF BLVD. LAKE WALES, FL 33869	
N/A		DESCRIPTION		CLEANER PUMP # 2	
DRAWN BY		DATE		SPEED CONTROL WIRING	
SLS		07/22/15		DO NOT SCALE DRAWING	
APPROVED:		REV DATE		SIZE	
MP				QTY/MACHINE PART NUMBER	
				A N/A FLEX 2016	
DOC		SCALE		SHEET	
REV		N/A		21 OF 26	

4 3 2 1

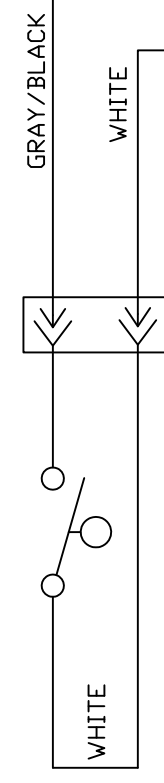
OIL FLOAT TANK A



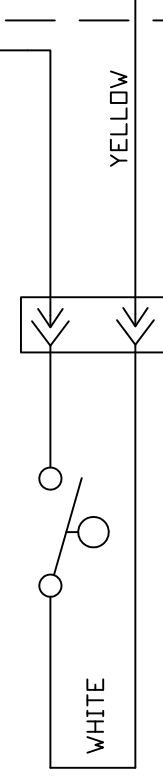
OIL FLOAT TANK B



CLEANER FLOAT PUMP #1



CLEANER FLOAT PUMP #2



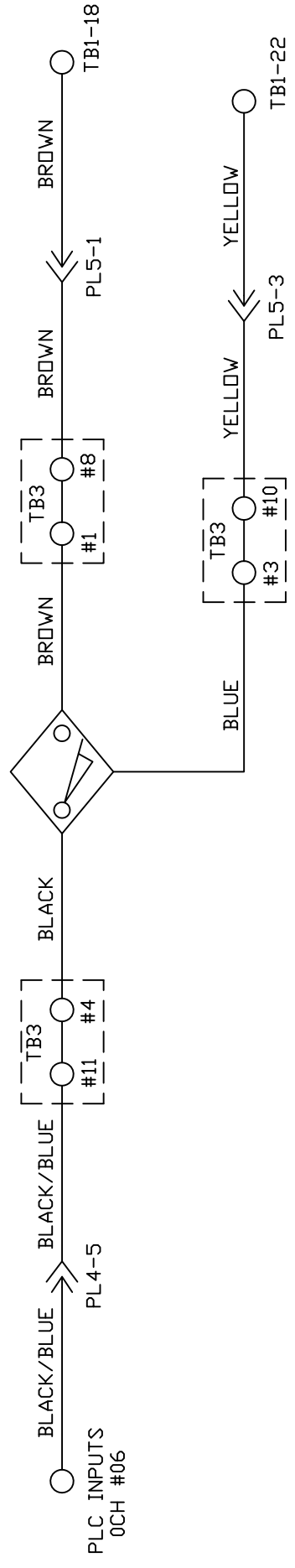
OPTIONAL CLEANER UPGRADE

MATERIAL		1951 LONGLEAF BLVD. LAKE WALES, FL 33869	
N/A		THE KEGEL CO. (889) 734-0200	
DESCRIPTION	OIL FLOATS & CLEANER FLOATS WIRING DO NOT SCALE DRAWING		
DRAWN BY	DATE	SIZE	QTY/MACHINE PART NUMBER
SLS	07/22/15	A	N/A
APPROVED:	REV DATE	SCALE	N/A
MP			FLEX 2016
DWG REV			SHEET 23 OF 26

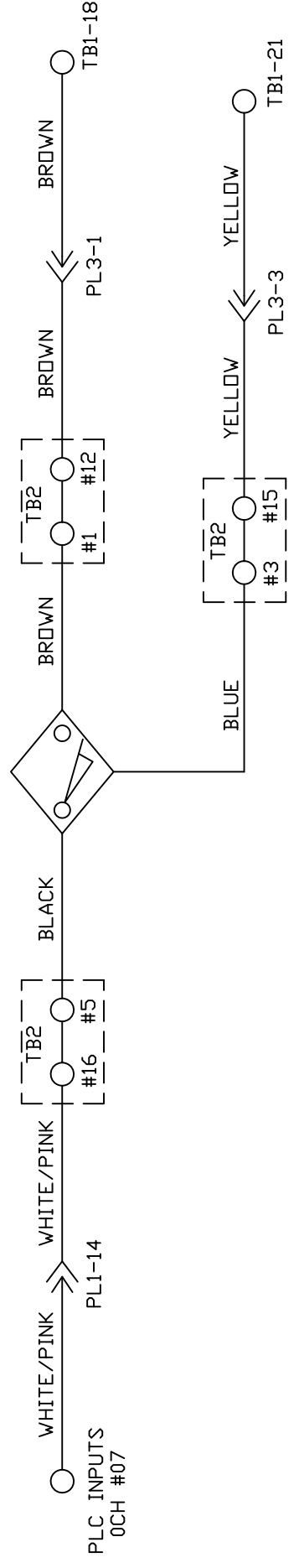
4 3 2 1

4 3 2 1

SPEED TACH PROX



LANE DISTANCE PROX



MATERIAL		1951 LONGLEAF BLVD. LAKE WALES, FL 33869	
N/A		THE KEGEL CO. (888) 734-0200	
DRAWN BY	DATE	DESCRIPTION	
SLS	07/22/15	SPEED TACH & LANE DISTANCE WIRING	
APPROVED:	REV DATE	DO NOT SCALE DRAWING	
MP		SIZE	QTY/MACHINE PART NUMBER
		A	N/A
DOC		SCALE	N/A
REV			FLEX 2016
			SHEET 24 OF 26

4 3 2 1

4 3 2 1

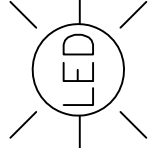
TB1-15

KEGEL P/N
155-1229
FUJ16
1A

PL4-12

RED/GREEN

RED/GREEN



YELLOW/WHITE

YELLOW

YELLOW

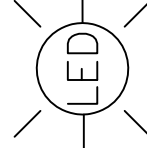
YELLOW

TB3-2

LED TANK
LIGHT SWITCH

YELLOW

LED ARROW
LIGHT



RED/GREEN

D

C

B

A

D

C

B

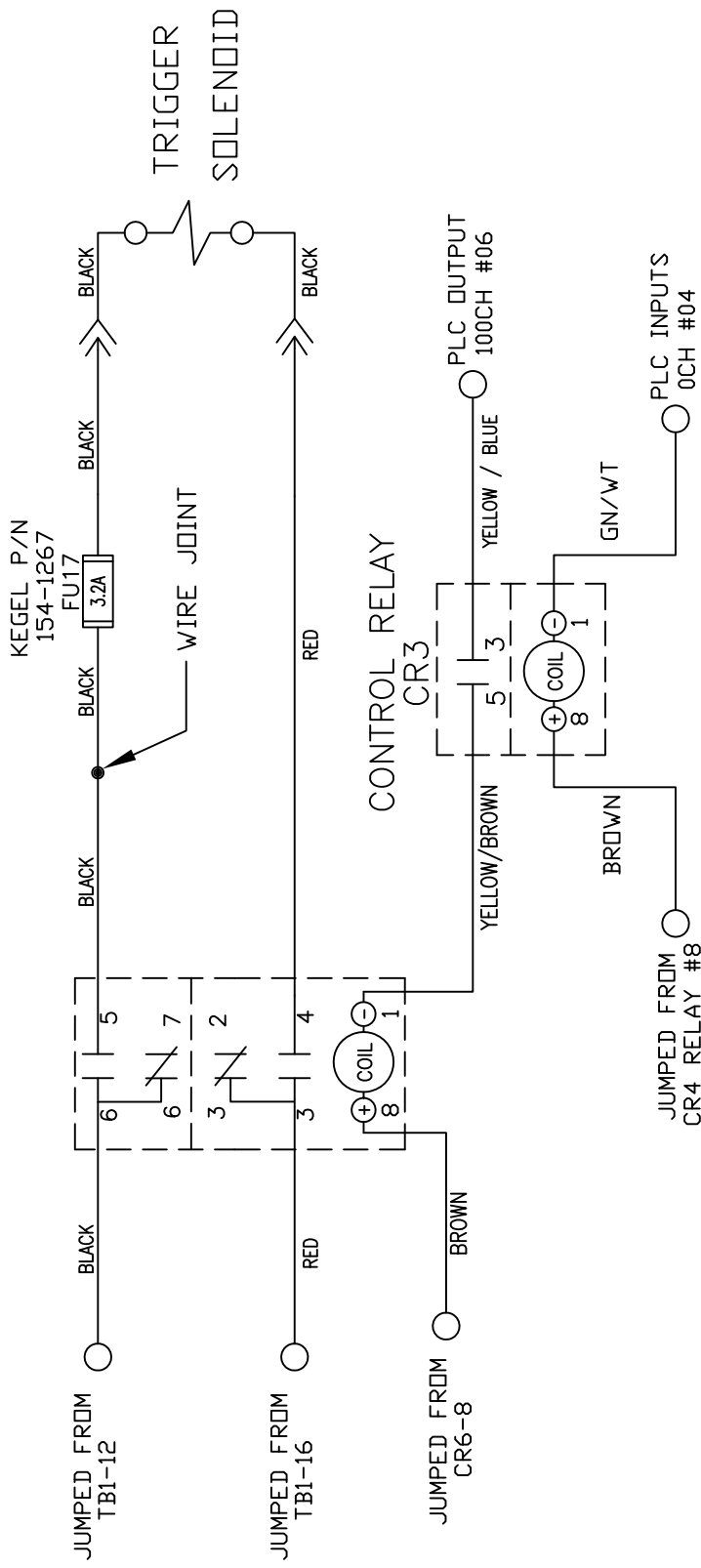
A

254

MATERIAL		THE KEGEL CO.		1951 LONGLEAF BLVD. LAKE WALES, FL 33859	
N/A		DESCRIPTION		LED TANK LIGHT WIRING	
DRAWN BY	DATE	DO NOT SCALE DRAWING		SIZE	QTY/MACHINE PART NUMBER
SLS	07/22/15			A	N/A
APPROVED:	REV DATE			SCALE	N/A
MP					FLEX 2016
DOC				SHEET	25 OF 26
REV					

4 3 2 1

PIN DECK TREATMENT
RELAY CR5



MATERIAL		1951 LONGLEAF BLVD. LAKE WALES, FL 33869	
N/A		THE KEGEL CO. (888) 734-0200	
DRAWN BY	DATE	DESCRIPTION	
SLS	07/22/15	TRIGGER SOLENOID WIRING	
APPROVED:	REV DATE	DO NOT SCALE DRAWING	
MP		SIZE	QTY/MACHINE PART NUMBER
		A	N/A
DOC		SCALE	N/A
REV			

4 3 2 1

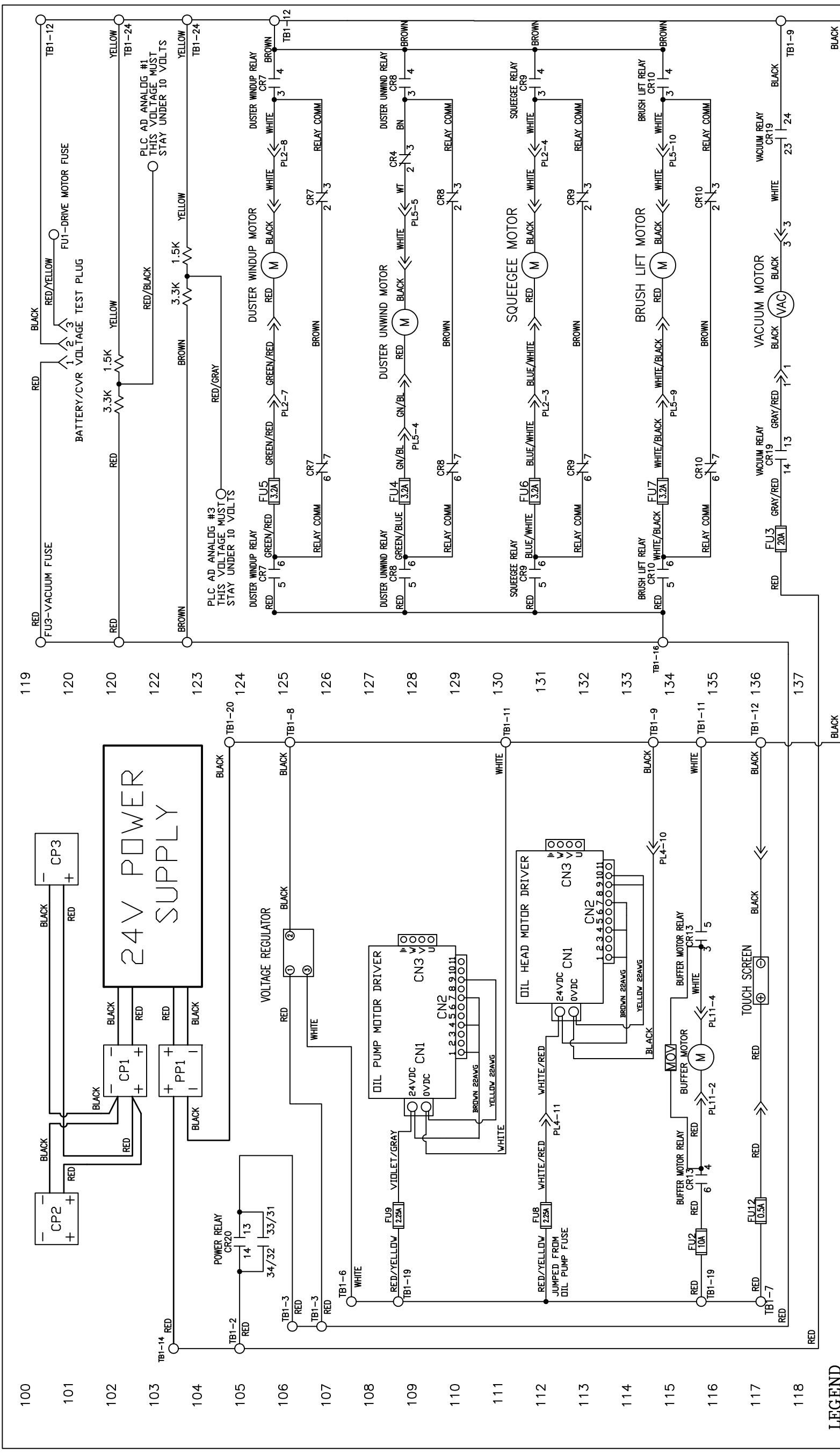
4 3 2 1

D C B A

FLEX WALKER ELECTRICAL DRAWING

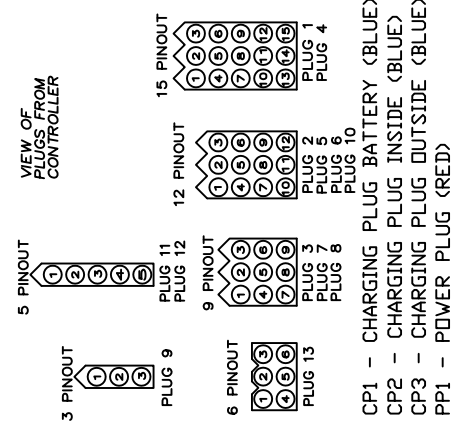
The following diagrams show wiring schematics for the Kustodian Walker. Detailed diagrams for the Ion follow this section. If you have any questions please call 863-734-0200 or email tech@kegel.net .

Flex Walker Motor Wiring Layout.....	257
Flex Walker Output Wiring Layout.....	258
Flex Walker Input Wiring Layout.....	259
Flex Walker Speed Control Wiring Layout.....	260
Flex Walker Analog Wiring Layout.....	261
Flex Walker Terminal Block Wiring Layout.....	262
Flex Walker Power Wiring Layout.....	263
Flex Walker Voltage Regulator Wiring Layout.....	264
Flex Walker Oil Pump Driver & Motor Wiring Layout.....	265
Flex Walker Oil-Cleaner Head Driver & Motor Wiring Layout.....	266
Flex Walker L-R & R-L Head Proximity Sensor Wiring Layout.....	267
Flex Walker Oil Valves Wiring Layout.....	268
Flex Walker Buffer Motor Wiring Layout.....	269
Flex Walker Variable Buffer Wiring Layout.....	270
Flex Walker Brush Lift Motor Wiring Layout.....	271
Flex Walker Vacuum Wiring Layout.....	272
Flex Walker Squeegee Motor & Switch Wiring Layout.....	273
Flex Walker Duster Unwind Motor & Switch Wiring Layout.....	274
Flex Walker Duster Windup Motor & Switch Wiring Layout.....	275
Flex Walker Cleaner Pump #1 Wiring Layout.....	276
Flex Walker Cleaner Pump #2 Wiring Layout.....	277
Flex Walker Duster Presoak Button & Trigger Solenoid Wiring Layout.....	278
Flex Walker Oil Float & Cleaner Float Wiring Layout.....	279
Flex Walker Speed Tach & LDS Wiring Layout.....	280
Flex Walker LED Tank Light Wiring Layout.....	281
Flex Walker 7-Pin & 10-Pin Side Approach Distance Senor Wiring Layout.....	282
Flex Walker Bumper & Whisker Switch Wiring Layout.....	283



LEGEND

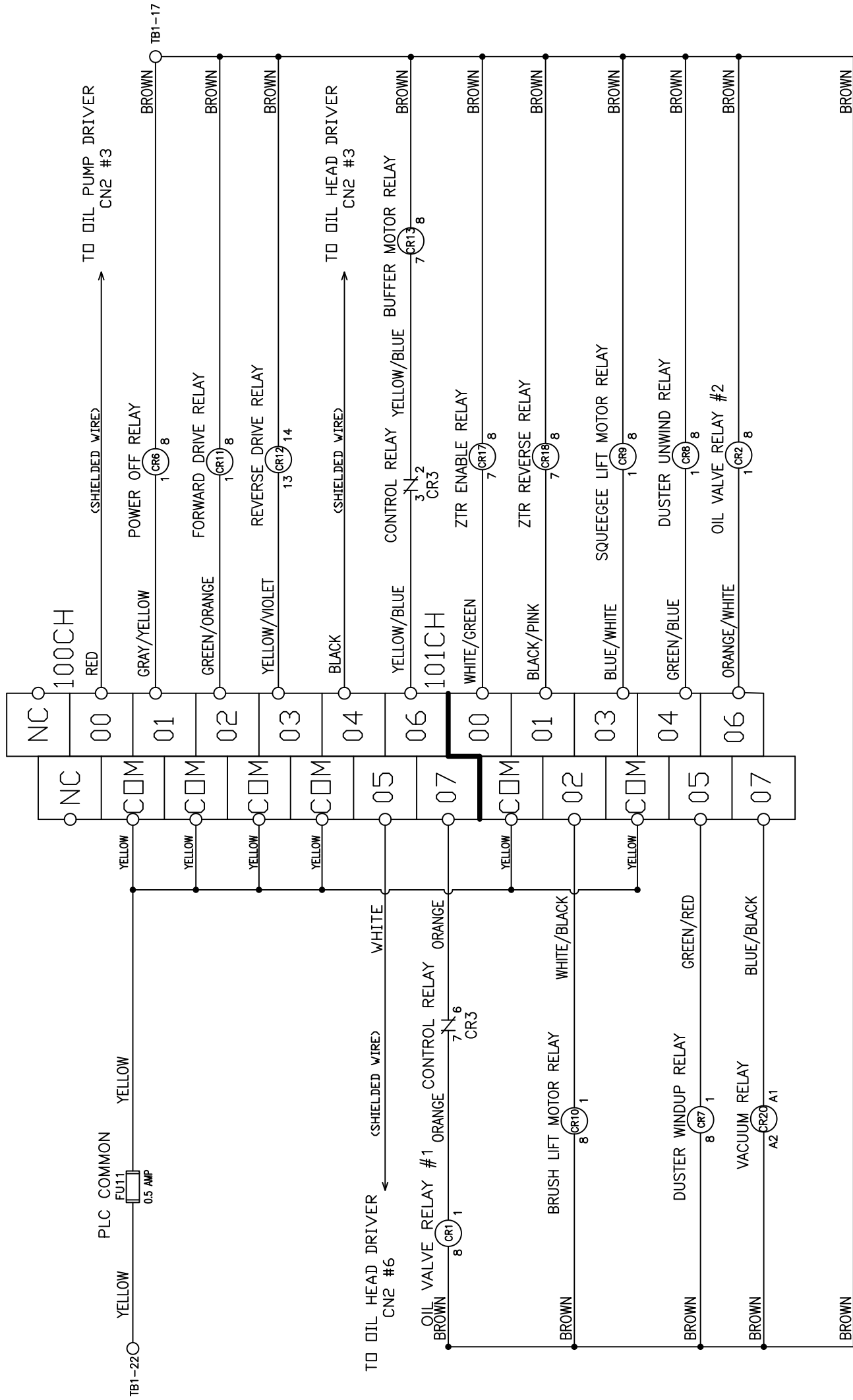
- CR1 - OIL VALVE RELAY TANK A
- CR2 - OIL VALVE RELAY TANK B
- CR3 - CONTROL RELAY
- CR4 - DUSTER POLARITY SWITCH RELAY
- CR5 - PIN DECK TREATMENT RELAY
- CR6 - POWER OFF RELAY
- CR7 - DUSTER WINDUP MOTOR RELAY
- CR8 - DUSTER UNWIND MOTOR RELAY
- CR9 - SQUEEGEE LIFT MOTOR RELAY
- CR10 - BRUSH LIFT MOTOR RELAY
- CR11 - FORWARD DRIVE MOTOR RELAY
- CR12 - REVERSE DRIVE MOTOR RELAY
- CR13 - BUFFER MOTOR RELAY
- CR14 - WHISKER ENABLE RELAY
- CR15 - WHISKER 7 PIN SIDE RELAY
- CR16 - WHISKER 10 PIN SIDE RELAY
- CR17 - ZTR ENABLE RELAY
- CR18 - ZTR REVERSE RELAY
- CR19 - VACUUM MOTOR RELAY
- CR20 - POWER RELAY
- FU1 - DRIVE MOTOR 7.5A
- FU2 - BUFFER MOTOR 10A/20A
- FU3 - VACUUM MOTOR 20A
- FU4 - DUSTER UNWIND 3.2A
- FU5 - DUSTER WINDUP 3.2A
- FU6 - SQUEEGEE MOTOR 3.2A
- FU7 - BRUSH LIFT MOTOR 3.2A
- FU8 - HEAD DRIVE MOTOR 2.25A
- FU9 - OIL PUMP MOTOR 2.25A
- FU10 - PLC INPUT POWER/L1 0.5A
- FU11 - PLC OUTPUT COMMON 0.5A
- FU12 - TOUCH SCREEN 0.5A
- FU13 - CLEANER PUMP #1 3.2A
- FU14 - CLEANER PUMP #2 3.2A
- FU15 - CVR POWER 25A/30A
- FU16 - LED LIGHTS 1A
- FU17 - TRIGGER SOLENOID 3.2A
- PL1 - 10-PIN SIDE PLUG (15)
- PL2 - 10-PIN SIDE PLUG (12)
- PL3 - 10-PIN SIDE PLUG (9)
- PL4 - 7-PIN SIDE PLUG (15)
- PL5 - 7-PIN SIDE PLUG (12)
- PL6 - DRIVE SPEED BOARD PLUG (12)
- PL7 - CLEANER PUMP #1 SPEED BOARD PLUG (9)
- PL8 - CLEANER PUMP #2 SPEED BOARD PLUG (9)
- PL9 - ZTR DRIVE MOTOR PLUG (3)
- PL10 - BUFFER SPEED BOARD PLUG (12)
- PL11 - BUFFER MOTOR PLUG (5)
- PL12 - BUFFER MOTOR VARIABLE SPEED PLUG (5)
- PL13 - OIL PLATE ASSEMBLY PLUG (6)
- TB1 - TERMINAL BLOCK 1 (MAIN)
- TB2 - TERMINAL BLOCK 2 (10-PIN SIDE)
- TB3 - TERMINAL BLOCK 3 (7-PIN SIDE)
- TB4 - TERMINAL BLOCK 4 (OIL PLATE)
- TB5 - TERMINAL BLOCK 5 (TOP PLC PLATE)



MATERIAL		N/A	
DESCRIPTION		MOTOR WIRING SCHEMATIC	
DRAWN BY	DATE	DO NOT SCALE DRAWING	SIZE
SLS	07/17/15		QTY/MACHINE PART NUMBER
APPROVED:	REV DATE		
MP			
DOC REV	SCALE	N/A	SHEET 1 OF 27

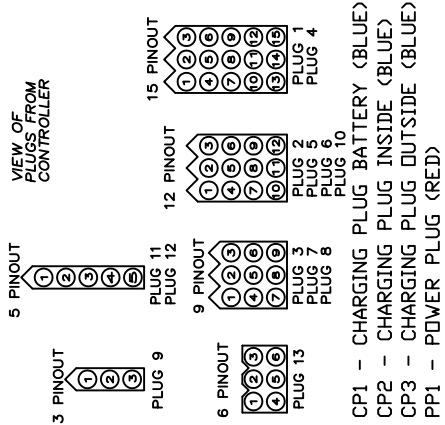
1961 LONGLEAF BLVD.
LAKE WALES, FL 33859
(866) 784-0200

DMRON
SYSMAC
CPIH
OUTPUTS



LEGEND

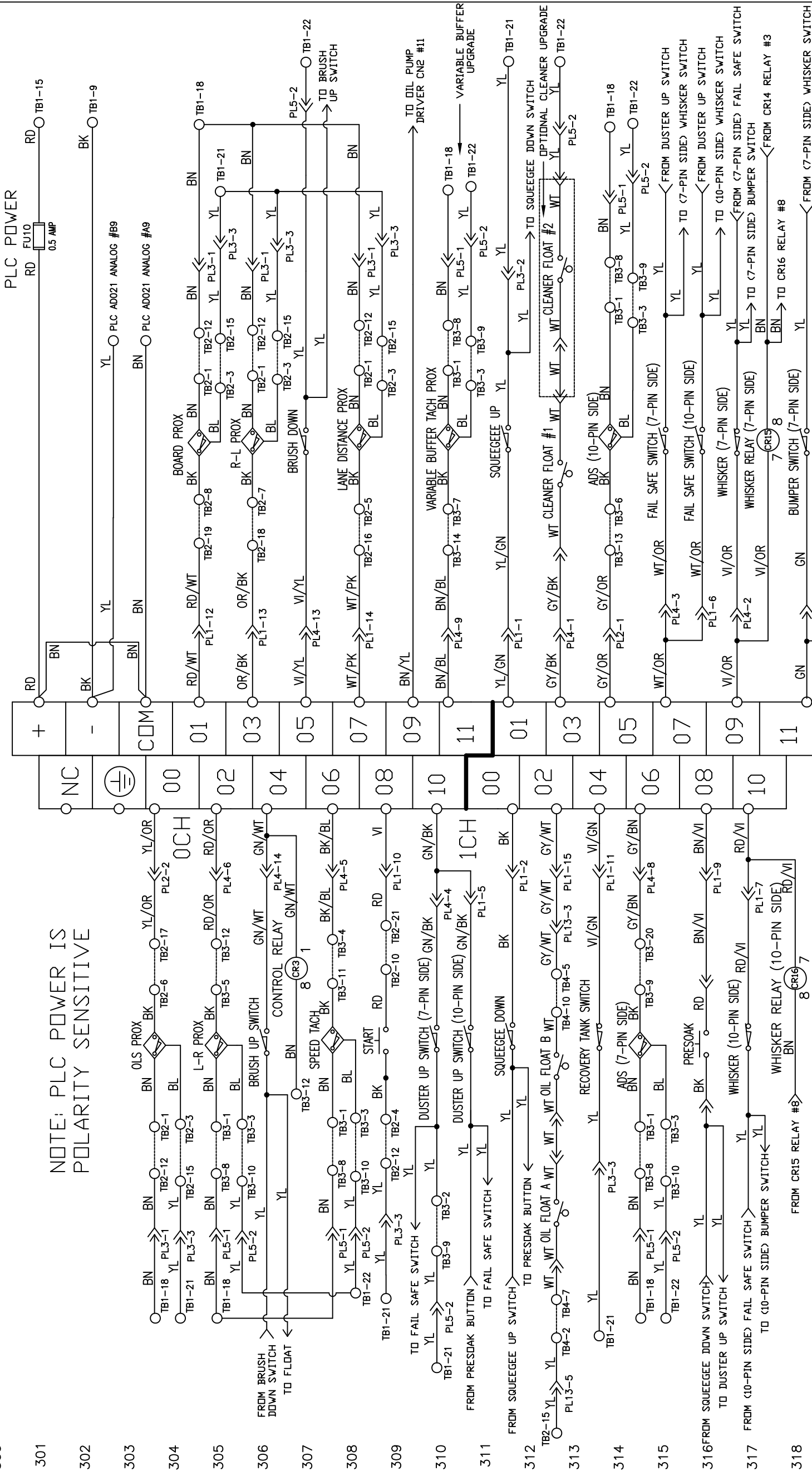
- CR1 - OIL VALVE RELAY TANK A
- CR2 - OIL VALVE RELAY TANK B
- CR3 - CONTROL RELAY
- CR4 - DUSTER POLARITY SWITCH RELAY
- CR5 - PIN DECK TREATMENT RELAY
- CR6 - POWER OFF RELAY
- CR7 - DUSTER WINDUP MOTOR RELAY
- CR8 - DUSTER UNWIND MOTOR RELAY
- CR9 - SQUEEGEE LIFT MOTOR RELAY
- CR10 - BRUSH LIFT MOTOR RELAY
- CR11 - FORWARD DRIVE MOTOR RELAY
- CR12 - REVERSE DRIVE MOTOR RELAY
- CR13 - BUFFER MOTOR RELAY
- CR14 - WHISKER ENABLE RELAY
- CR15 - WHISKER 7 PIN SIDE RELAY
- CR16 - WHISKER 10 PIN SIDE RELAY
- CR17 - ZTR ENABLE RELAY
- CR18 - ZTR REVERSE RELAY
- CR19 - VACUUM MOTOR RELAY
- CR20 - POWER RELAY
- FU1 - DRIVE MOTOR 7.5A
- FU2 - BUFFER MOTOR 10A/20A
- FU3 - VACUUM MOTOR 20A
- FU4 - DUSTER UNWIND 3.2A
- FU5 - DUSTER WINDUP 3.2A
- FU6 - SQUEEGEE MOTOR 3.2A
- FU7 - BRUSH LIFT MOTOR 3.2A
- FU8 - HEAD DRIVE MOTOR 2.25A
- FU9 - OIL PUMP MOTOR 2.25A
- FU10 - PLC INPUT POWER/L1 0.5A
- FU11 - PLC OUTPUT COMMON 0.5A
- FU12 - TOUCH SCREEN 0.5A
- FU13 - CLEANER PUMP #1 3.2A
- FU14 - CLEANER PUMP #2 3.2A
- FU15 - CVR POWER 25A/30A
- FU16 - LED LIGHTS 1A
- FU17 - TRIGGER SOLENOID 3.2A
- PL1 - 10-PIN SIDE PLUG (15)
- PL2 - 10-PIN SIDE PLUG (12)
- PL3 - 10-PIN SIDE PLUG (9)
- PL4 - 7-PIN SIDE PLUG (15)
- PL5 - 7-PIN SIDE PLUG (12)
- PL6 - DRIVE SPEED BOARD PLUG (12)
- PL7 - CLEANER PUMP #1 SPEED BOARD PLUG (9)
- PL8 - CLEANER PUMP #2 SPEED BOARD PLUG (9)
- PL9 - ZTR DRIVE MOTOR PLUG (3)
- PL10 - BUFFER SPEED BOARD PLUG (12)
- PL11 - BUFFER MOTOR PLUG (5)
- PL12 - BUFFER MOTOR VARIABLE SPEED PLUG (5)
- PL13 - OIL PLATE ASSEMBLY PLUG (6)
- TB1 - TERMINAL BLOCK 1 (MAIN)
- TB2 - TERMINAL BLOCK 2 (10-PIN SIDE)
- TB3 - TERMINAL BLOCK 3 (7-PIN SIDE)
- TB4 - TERMINAL BLOCK 4 (OIL PLATE)
- TB5 - TERMINAL BLOCK 5 (TOP PLC PLATE)



MATERIAL		N/A	
DESCRIPTION		OUTPUT WIRING SCHEMATIC	
DRAWN BY	DATE	DO NOT SCALE DRAWING	
SLS	07/20/15	SIZE	QTY/MACHINE PART NUMBER
APPROVED:	REV DATE	C	N/A
MP		SCALE	N/A
DOC REV		SHEET	2 OF 27

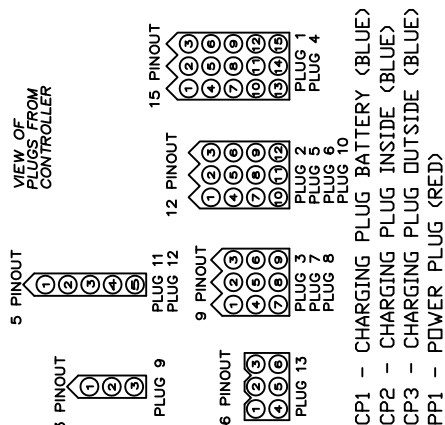
1951 LONGLEAF BLVD.
LAKE WALES, FL 33869
(888) 794-0200

NOTE: PLC POWER IS POLARITY SENSITIVE



LEGEND

- CR1 - OIL VALVE RELAY TANK A
- CR2 - OIL VALVE RELAY TANK B
- CR3 - CONTROL RELAY
- CR4 - DUSTER POLARITY SWITCH RELAY
- CR5 - PIN DECK TREATMENT RELAY
- CR6 - POWER OFF RELAY
- CR7 - DUSTER WINDUP MOTOR RELAY
- CR8 - DUSTER UNWIND MOTOR RELAY
- CR9 - SQUEEGEE LIFT MOTOR RELAY
- CR10 - BRUSH LIFT MOTOR RELAY
- CR11 - FORWARD DRIVE MOTOR RELAY
- CR12 - REVERSE DRIVE MOTOR RELAY
- CR13 - BUFFER MOTOR RELAY
- CR14 - WHISKER ENABLE RELAY
- CR15 - WHISKER 7 PIN SIDE RELAY
- CR16 - WHISKER 10 PIN SIDE RELAY
- CR17 - ZTR ENABLE RELAY
- CR18 - ZTR REVERSE RELAY
- CR19 - VACUUM MOTOR RELAY
- CR20 - POWER RELAY
- FU1 - DRIVE MOTOR 7.5A
- FU2 - BUFFER MOTOR 10A/20A
- FU3 - VACUUM MOTOR 20A
- FU4 - DUSTER UNWIND 3.2A
- FU5 - DUSTER WINDUP 3.2A
- FU6 - SQUEEGEE MOTOR 3.2A
- FU7 - BRUSH LIFT MOTOR 3.2A
- FU8 - HEAD DRIVE MOTOR 2.25A
- FU9 - OIL PUMP MOTOR 2.25A
- FU10 - PLC INPUT POWER/L1 0.5A
- FU11 - FORWARD COMMON 0.5A
- FU12 - TOUCH SCREEN 0.5A
- FU13 - CLEANER PUMP #1 3.2A
- FU14 - CLEANER PUMP #2 3.2A
- FU15 - CVR POWER 25A/30A
- FU16 - LED LIGHTS 1A
- FU17 - TRIGGER SOLENOID 3.2A
- PL1 - 10-PIN SIDE PLUG (15)
- PL2 - 10-PIN SIDE PLUG (12)
- PL3 - 10-PIN SIDE PLUG (9)
- PL4 - 7-PIN SIDE PLUG (15)
- PL5 - 7-PIN SIDE PLUG (12)
- PL6 - DRIVE SPEED BOARD PLUG (12)
- PL7 - CLEANER PUMP #1 SPEED BOARD PLUG (9)
- PL8 - CLEANER PUMP #2 SPEED BOARD PLUG (9)
- PL9 - ZTR DRIVE MOTOR PLUG (3)
- PL10 - BUFFER SPEED BOARD PLUG (12)
- PL11 - BUFFER MOTOR PLUG (5)
- PL12 - BUFFER MOTOR VARIABLE SPEED PLUG (5)
- PL13 - OIL PLATE ASSEMBLY PLUG (6)
- TB1 - TERMINAL BLOCK 1 (MAIN)
- TB2 - TERMINAL BLOCK 2 (10-PIN SIDE)
- TB3 - TERMINAL BLOCK 3 (7-PIN SIDE)
- TB4 - TERMINAL BLOCK 4 (OIL PLATE)
- TB5 - TERMINAL BLOCK 5 (TOP PLC PLATE)

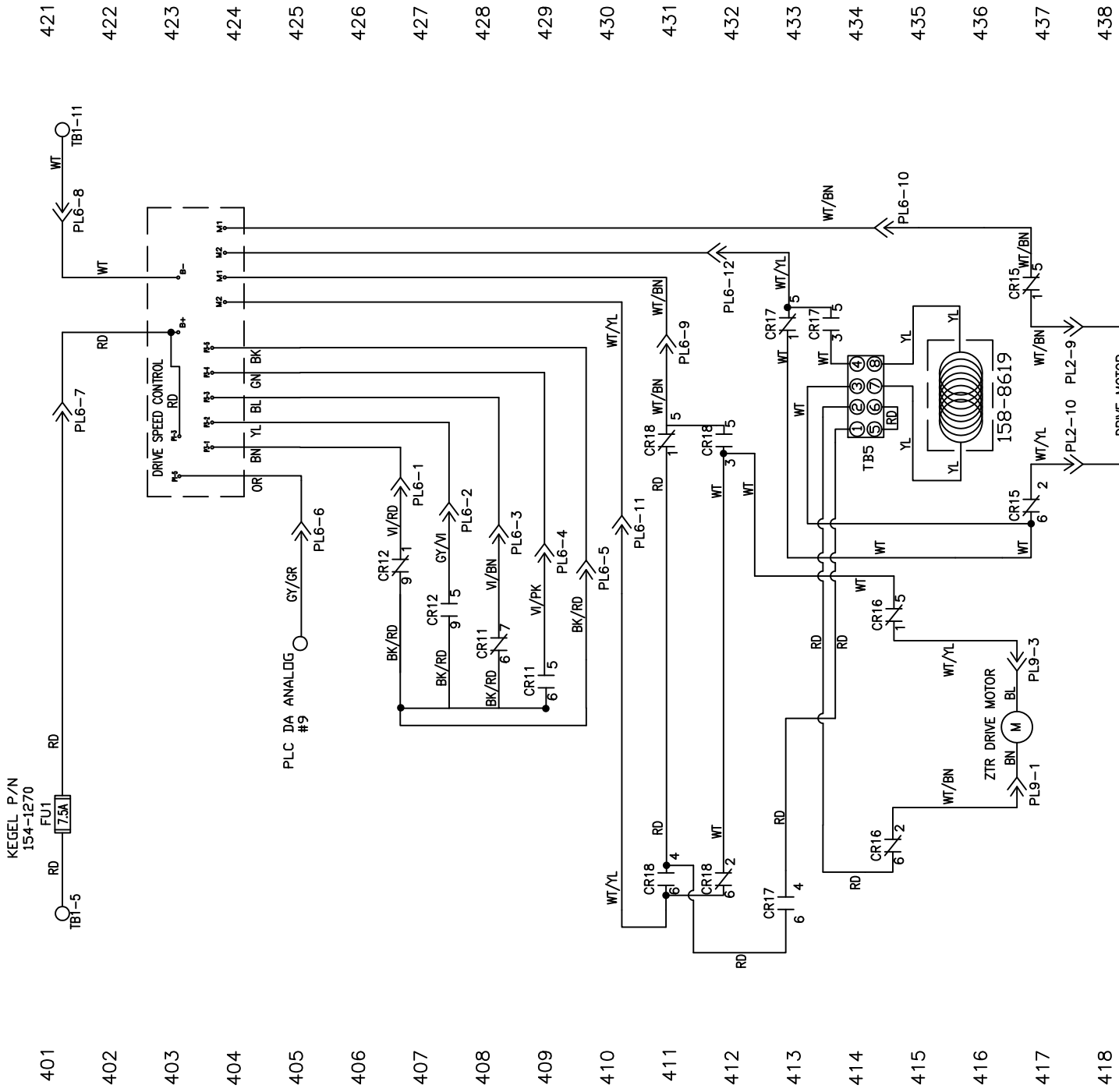


MATERIAL		N/A	
DESCRIPTION		INPUT WIRING SCHEMATIC	
DRAWN BY	DATE	SIZE	QTY/MACHINE PART NUMBER
SLS	07/20/15	C	FLEX WALKER 2016
APPROVED:	REV DATE	SCALE	N/A
MP			
DOC REV			SHEET 3 OF 27

1951 LONGLEAF BLVD.
LAKE WALKER, FL 33869
(866) 784-0200

CP1 - CHARGING PLUG BATTERY (BLUE)
CP2 - CHARGING PLUG INSIDE (BLUE)
CP3 - CHARGING PLUG OUTSIDE (BLUE)
PP1 - POWER PLUG (RED)

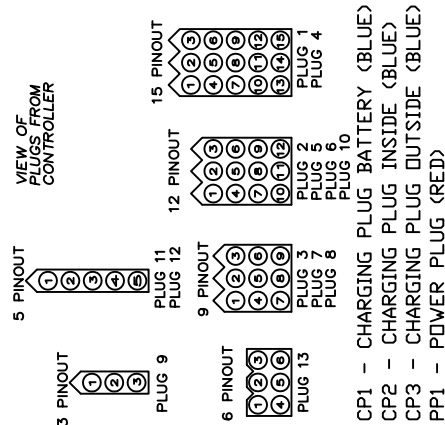
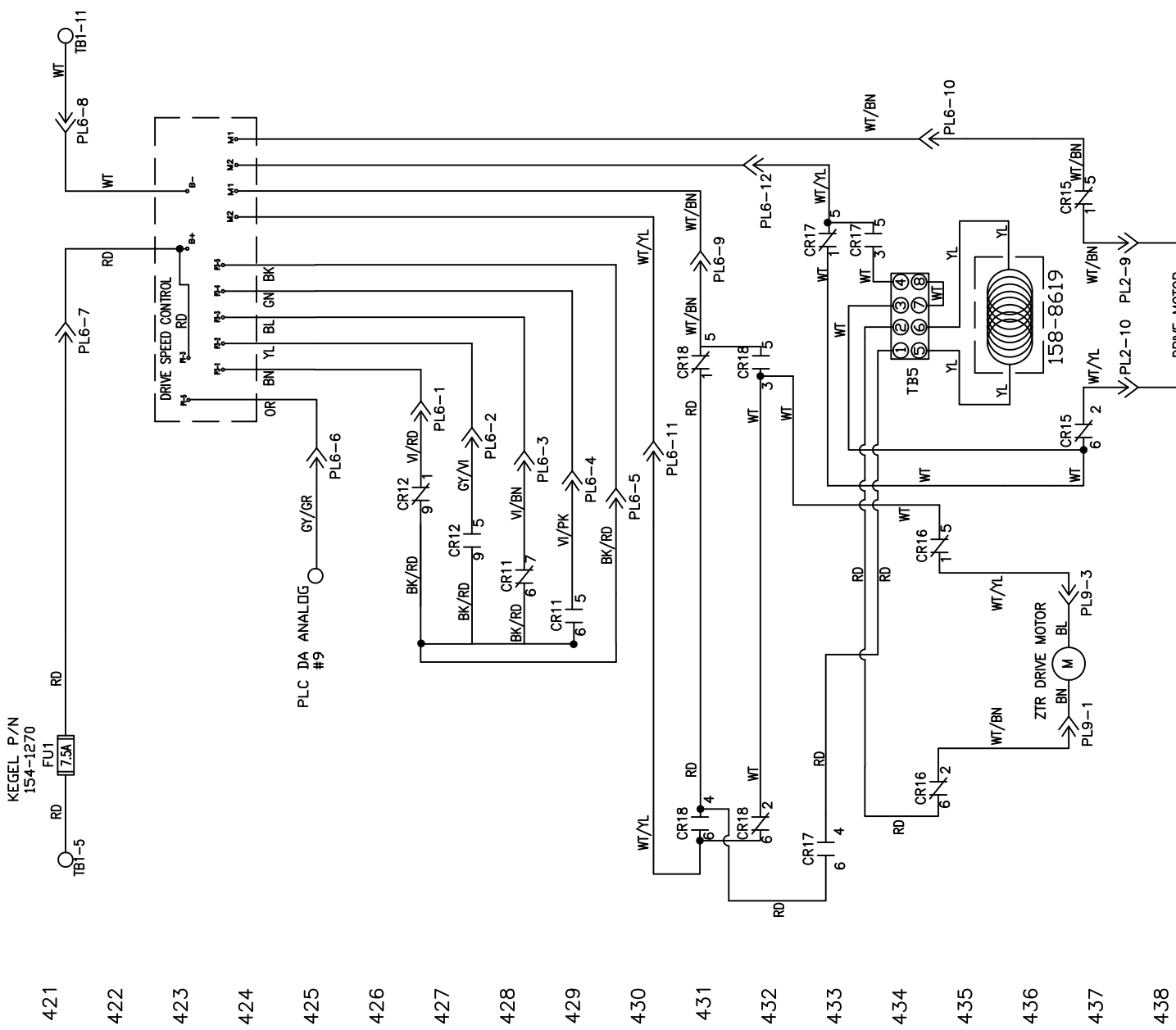
SCHEMATIC FOR RESISTOR WIRE ON MAIN DRIVE MOTOR



LEGEND

- CR1 - OIL VALVE RELAY TANK A
- CR2 - OIL VALVE RELAY TANK B
- CR3 - CONTROL RELAY
- CR4 - DUSTER POLARITY SWITCH RELAY
- CR5 - PIN DECK TREATMENT RELAY
- CR6 - POWER OFF RELAY
- CR7 - DUSTER WINDUP MOTOR RELAY
- CR8 - DUSTER UNWIND MOTOR RELAY
- CR9 - SQUEEGEE LIFT MOTOR RELAY
- CR10 - FORWARD DRIVE MOTOR RELAY
- CR11 - REVERSE DRIVE MOTOR RELAY
- CR12 - BUFFER MOTOR RELAY
- CR13 - WHISKER ENABLE RELAY
- CR14 - WHISKER 7 PIN SIDE RELAY
- CR15 - WHISKER 10 PIN SIDE RELAY
- CR16 - ZTR ENABLE RELAY
- CR17 - ZTR REVERSE RELAY
- CR18 - VACUUM MOTOR RELAY
- CR20 - POWER RELAY
- FU1 - DRIVE MOTOR 7.5A
- FU2 - BUFFER MOTOR 10A/20A
- FU3 - VACUUM MOTOR 20A
- FU4 - DUSTER UNWIND 3.2A
- FU5 - DUSTER WINDUP 3.2A
- FU6 - SQUEEGEE MOTOR 3.2A
- FU7 - BRUSH LIFT MOTOR 3.2A
- FU8 - HEAD DRIVE MOTOR 2.25A
- FU9 - OIL PUMP MOTOR 2.25A
- FU10 - PLC INPUT POWER/L1 0.5A
- FU11 - TOUCH SCREEN 0.5A
- FU12 - CLEANER PUMP #1 3.2A
- FU13 - CLEANER PUMP #2 3.2A
- FU14 - CVR POWER 25A/30A
- FU15 - LED LIGHTS 1A
- FU16 - TRIGGER SOLENOID 3.2A
- FU17 - DRIVE MOTOR 7.5A
- PL1 - 10-PIN SIDE PLUG (15)
- PL2 - 10-PIN SIDE PLUG (12)
- PL3 - 10-PIN SIDE PLUG (9)
- PL4 - 7-PIN SIDE PLUG (15)
- PL5 - 7-PIN SIDE PLUG (12)
- PL6 - DRIVE SPEED BOARD PLUG (12)
- PL7 - CLEANER PUMP #1 SPEED BOARD PLUG (9)
- PL8 - CLEANER PUMP #2 SPEED BOARD PLUG (9)
- PL9 - ZTR DRIVE MOTOR PLUG (3)
- PL10 - BUFFER SPEED BOARD PLUG (12)
- PL11 - BUFFER MOTOR PLUG (5)
- PL12 - BUFFER MOTOR VARIABLE SPEED PLUG (5)
- PL13 - OIL PLATE ASSEMBLY PLUG (6)
- TB1 - TERMINAL BLOCK 1 (MAIN)
- TB2 - TERMINAL BLOCK 2 (10-PIN SIDE)
- TB3 - TERMINAL BLOCK 3 (7-PIN SIDE)
- TB4 - TERMINAL BLOCK 4 (OIL PLATE)
- TB5 - TERMINAL BLOCK 5 (TOP PLC PLATE)

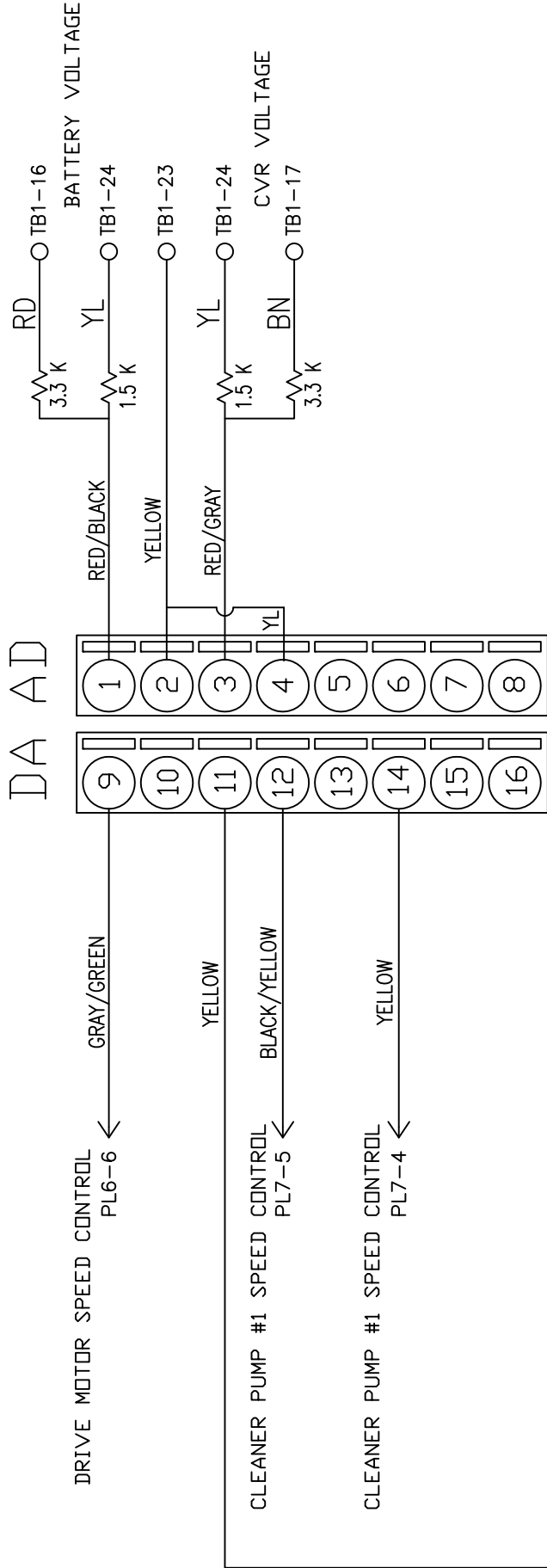
SCHEMATIC FOR RESISTOR WIRE ON ZTR DRIVE MOTOR



MATERIAL		N/A	
DATE	07/20/15	DO NOT SCALE DRAWING	
DRAWN BY	SLS	REV DATE	
APPROVED:	MP	SIZE	C
DOC REV		QTY/MACHINE PART NUMBER	N/A
		SCALE	N/A
		SHEET	4 OF 27

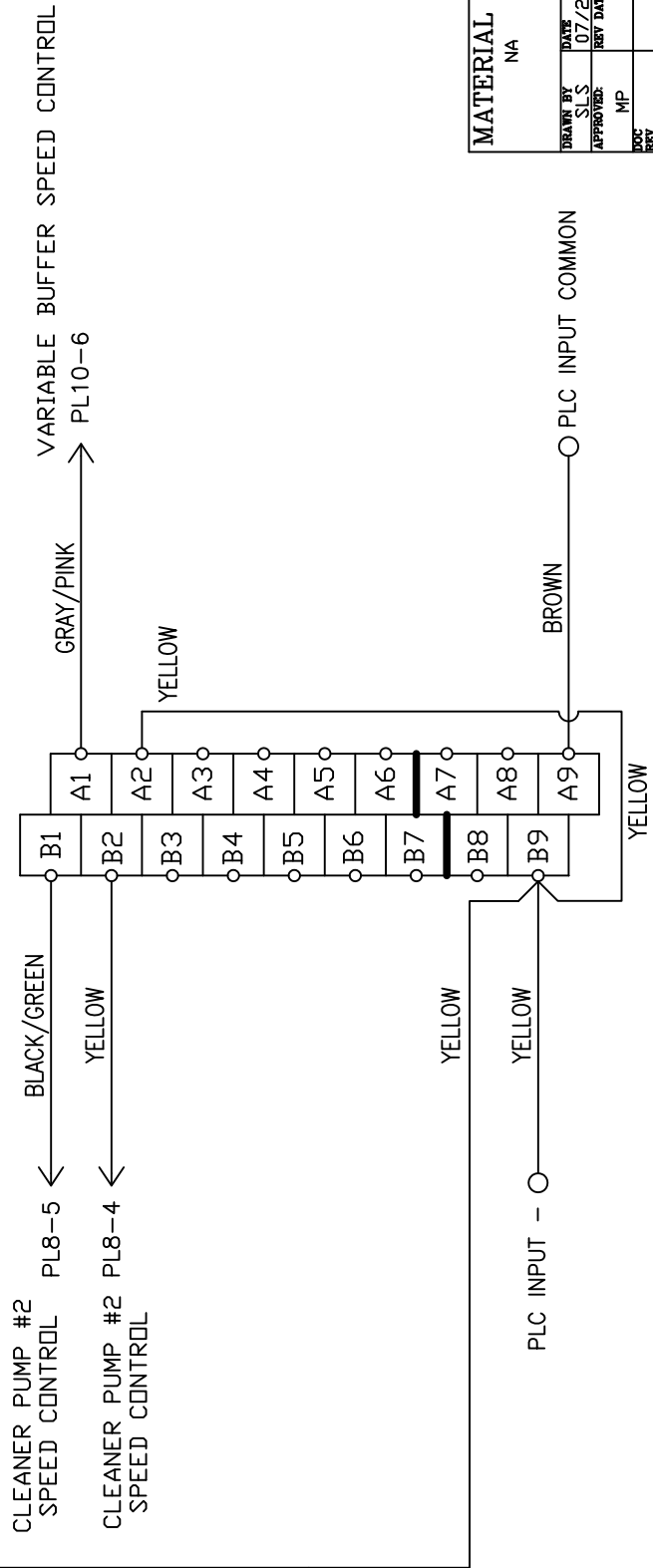
DESCRIPTION		SPEED CONTROL SCHEMATIC	
1961 LONGLEAF BLVD. LAKE WALES, FL 35869 (865) 734-0200			
KEGEL			
N/A			
FLEX WALKER		2016	

BUILT IN PLC ANALOG



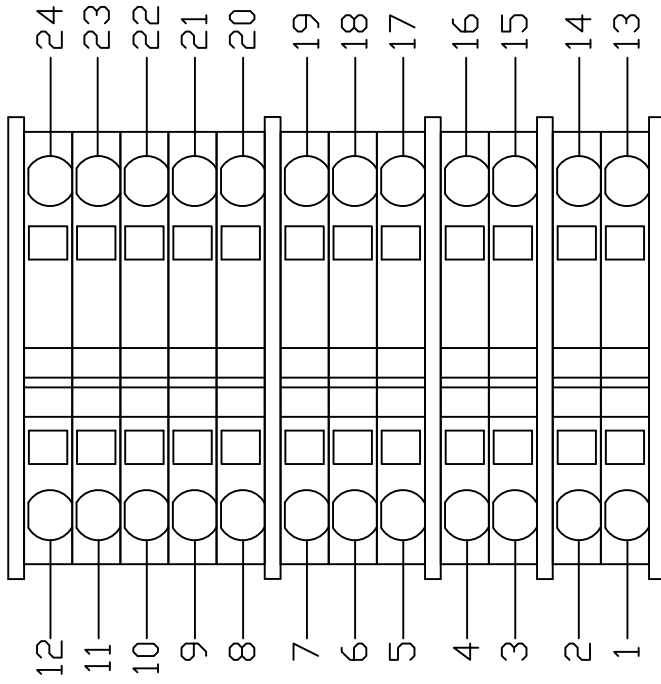
YELLOW

AD021 ANALOG ADD ON UNIT



MATERIAL NA		KEGEL	
DRAWN BY SLS		DESCRIPTION ANALOG WIRING SCHEMATIC	
DATE 07/20/15		DO NOT SCALE DRAWING	
APPROVED: MP		SIZE C	
REV REV		SCALE N/A	
		SHEET 5	
		DRAWN FLEX WALKER	
		DATE 2016	
		SHEET 5	
		OF 27	

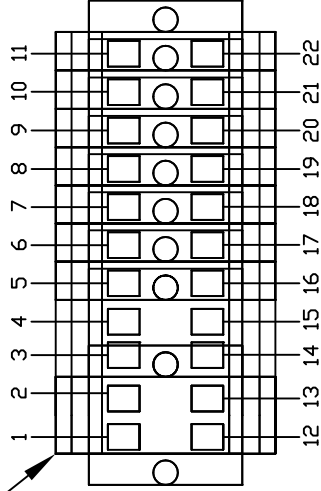
TB1 <MAIN>



TB2

<10-PIN SIDE>

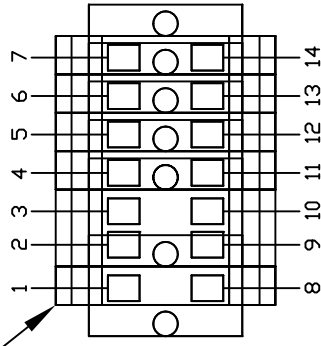
ORANGE
BLOCK



TB3

<7-PIN SIDE>

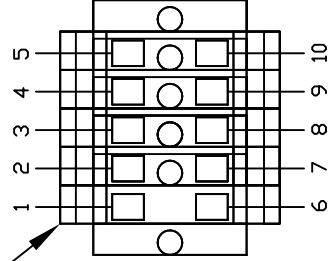
ORANGE
BLOCK



TB4

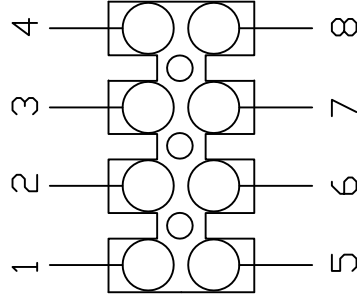
<OIL PLATE>

ORANGE
BLOCK



TB5

<TOP PLC PLATE>



LEGEND

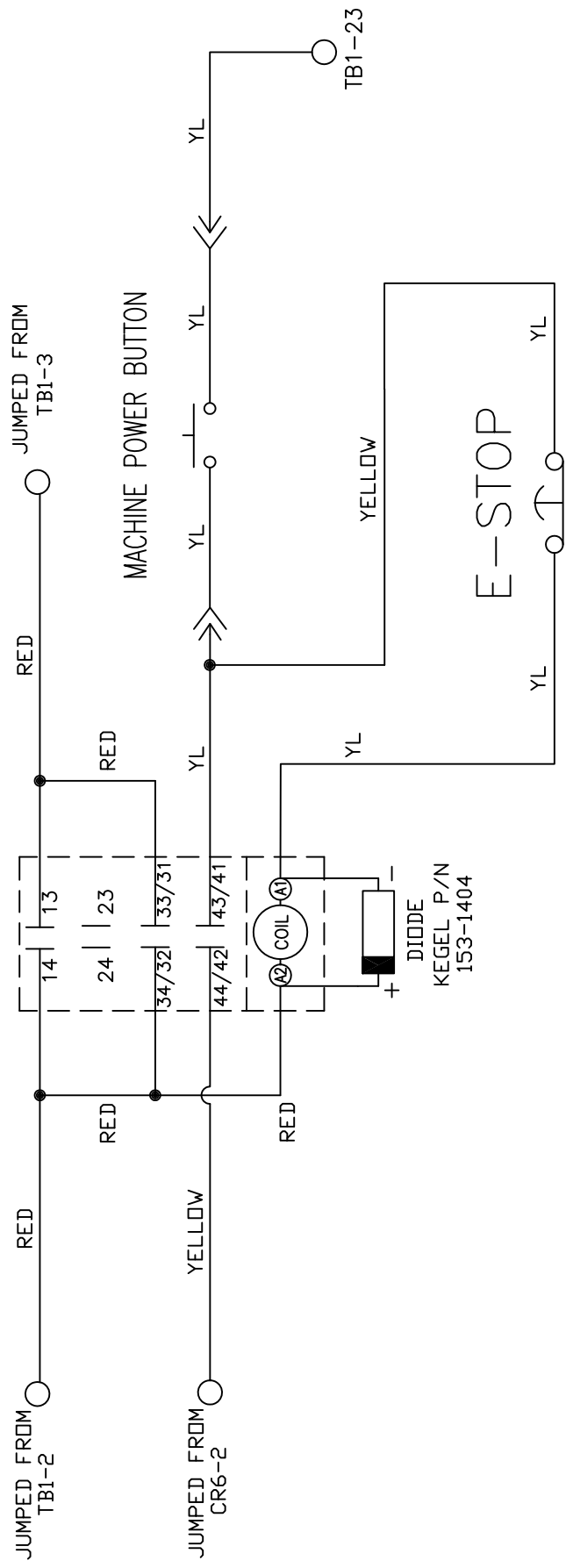
- TB1 - TERMINAL BLOCK 1 <MAIN>
- TB2 - TERMINAL BLOCK 2 <10-PIN SIDE>
- TB3 - TERMINAL BLOCK 3 <7-PIN SIDE>
- TB4 - TERMINAL BLOCK 4 <OIL PLATE>
- TB5 - TERMINAL BLOCK 5 <TOP PLC PLATE>

MATERIAL NA		KEGEL		1961 LONGLEAF BLVD. LAKE WALKER, FL 33669 (863) 734-0200	
DRAWN BY SLS		DATE 07/20/15		DESCRIPTION TERMINAL BLOCK LAYOUT	
APPROVED: MP		REV DATE		DO NOT SCALE DRAWING SIZE QTY/MACHINE PART NUMBER	
ISSUE REV		SCALE N/A		FLEX WALKER 2016	
				SECRET 6 OF 27	

4 3 2 1

D C B A

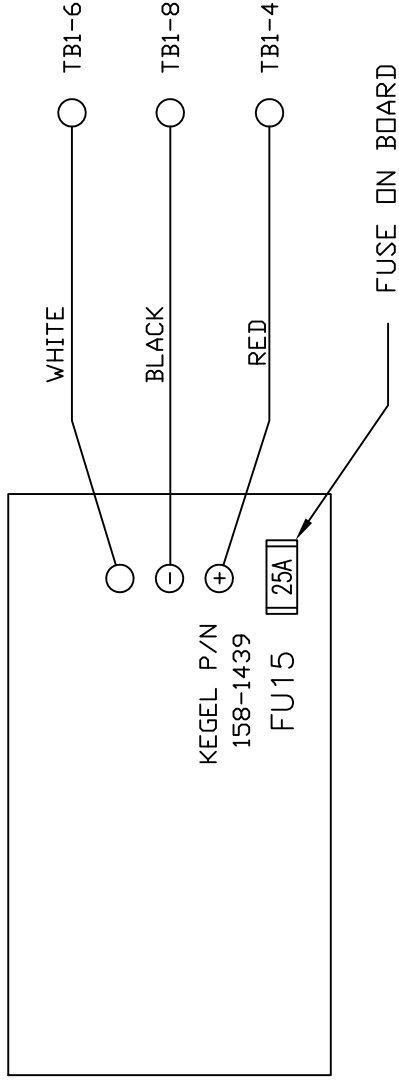
POWER RELAY
CR20



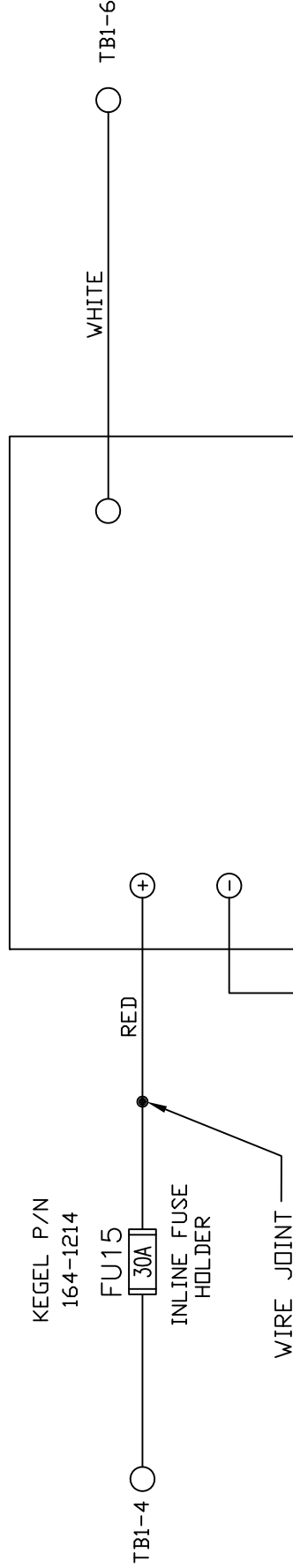
MATERIAL		THE KEGEL CO.		1951 LONGLEAF BLVD. LAKE WALES, FL 33869	
N/A		DESCRIPTION		POWER RELAY WIRING	
DRAWN BY	DATE	DO NOT SCALE DRAWING		SIZE	QTY/MACHINE PART NUMBER
SLS	07/20/15			A	N/A
APPROVED:	REV DATE			SCALE	N/A
MP				SHEET	7 OF 27
DWG REV					

4 3 2 1

VOLTAGE REGULATOR



UPGRADED VOLTAGE REGULATOR



MATERIAL		1951 LONGLEAF BLVD. LAKE WALES, FL 33859	
N/A		THE KEGEL CO. (888) 734-0200	
DRAWN BY	DATE	DESCRIPTION	
SLS	07/21/15	VOLTAGE REGULATOR WIRING	
APPROVED:	REV DATE	DO NOT SCALE DRAWING	
MP		SIZE	QTY/MACHINE PART NUMBER
		A	N/A FLEX WALKER 2016
DWG		SCALE	N/A
REV		SHEET	8 OF 27

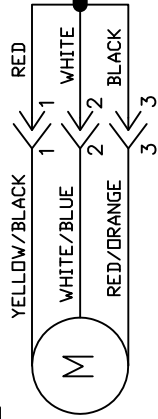
4 3 2 1

D C

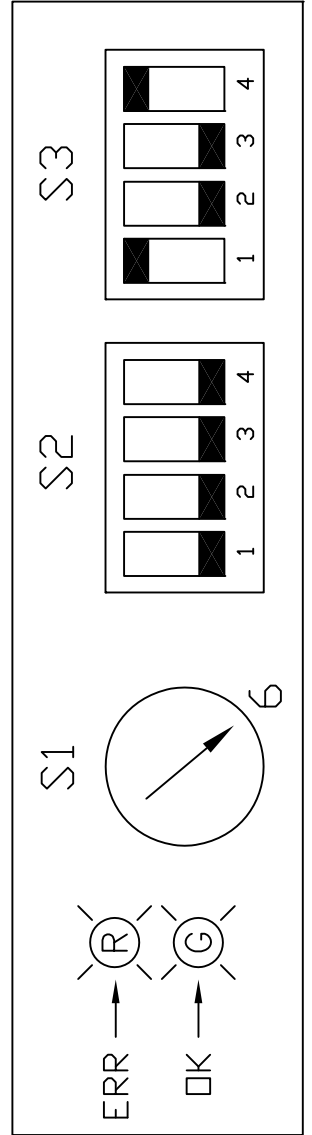
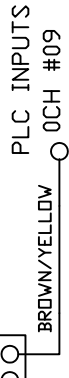
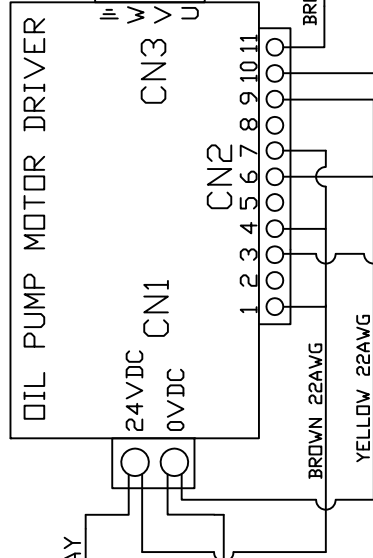
4 3 2 1

B A

OIL PUMP MOTOR



KEGEL P/N
154-1266



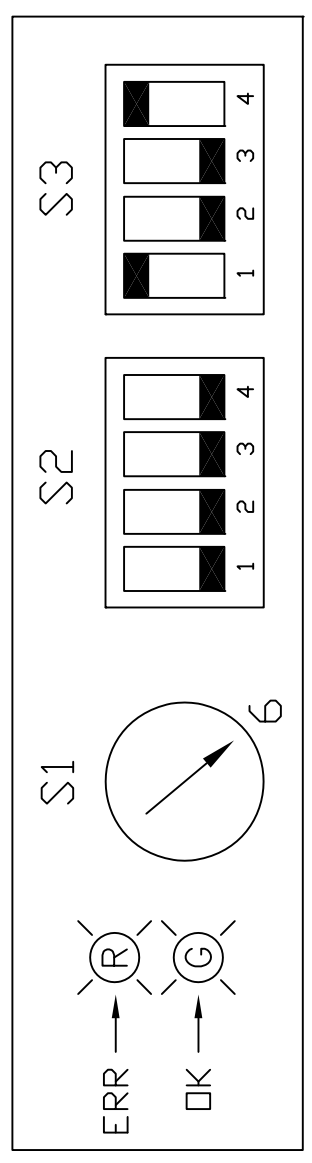
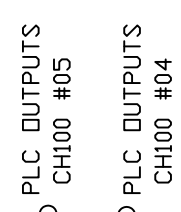
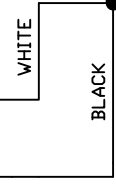
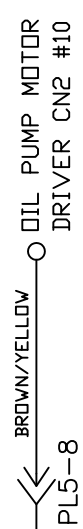
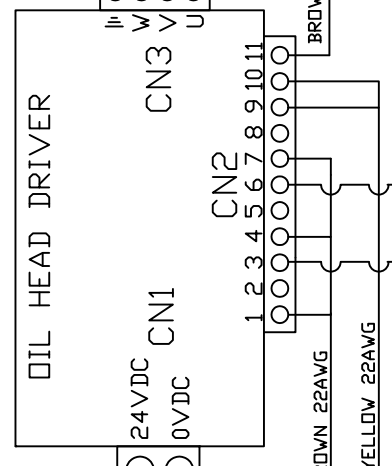
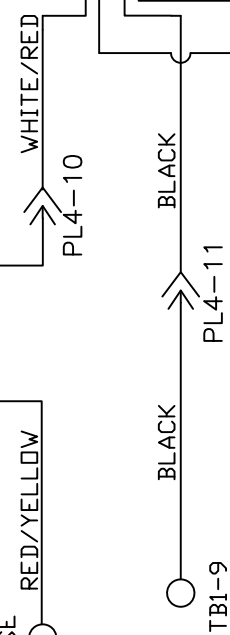
MATERIAL		THE KEGEL CO.		1951 LONGLEAF BLVD. LAKE WALES, FL 33869	
N/A		DESCRIPTION		OIL PUMP DRIVER & MOTOR WIRING	
DRAWN BY	DATE	DO NOT SCALE DRAWING		SIZE	
SLS	07/21/15	QTY/MACHINE PART NUMBER		A N/A	
APPROVED:	REV DATE	SCALE		SHEET 9 OF 27	
MP		N/A		FLEX WALKER 2016	
DOC REV		N/A		SHEET 9 OF 27	

4 3 2 1

D C B A

4 3 2 1

OIL HEAD MOTOR

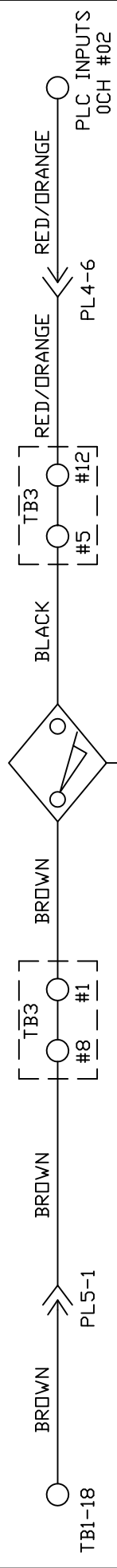


MATERIAL N/A		THE KEGEL CO. 1951 LONGLEAF BLVD. LAKE WALES, FL 33869 (889) 734-0200	
DRAWN BY SLS	DATE 07/21/15	DESCRIPTION OIL HEAD DRIVER & MOTOR WIRING	
APPROVED: MP	REV DATE	DO NOT SCALE DRAWING SIZE QTY/MACHINE PART NUMBER	
DOC REV	MP	A N/A	FLEX WALKER 2016
		SCALE N/A	SHEET 10 OF 27

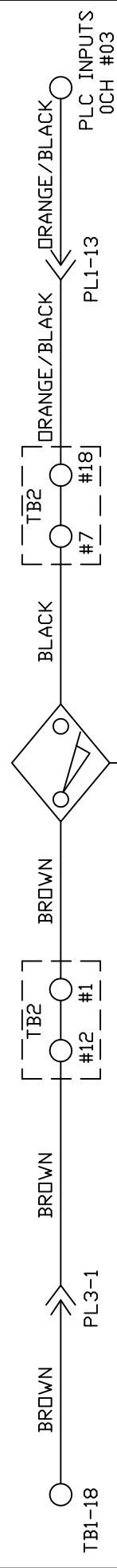
4 3 2 1

4 3 2 1

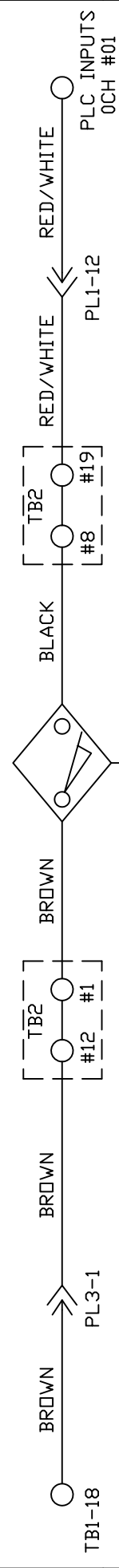
L-R HEAD PROX



R-L HEAD PROX



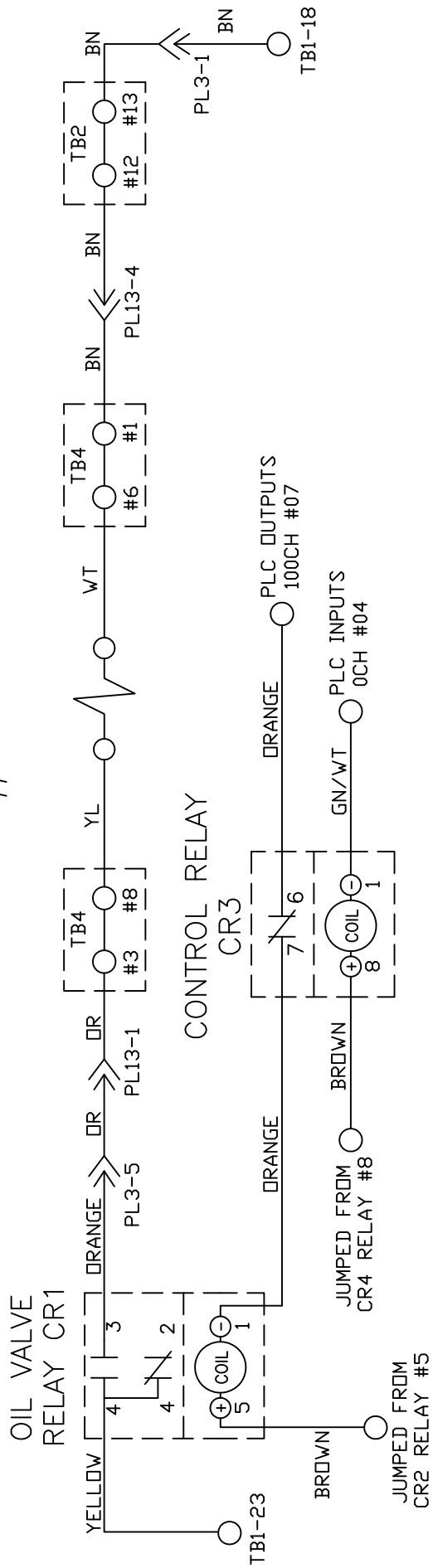
BOARD PROX



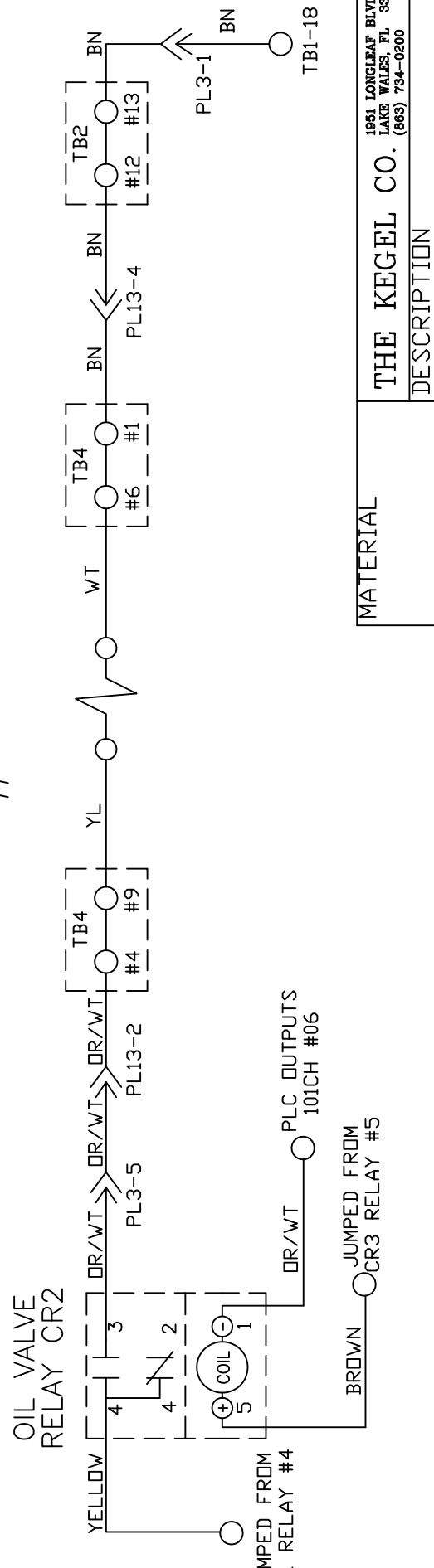
MATERIAL		1951 LONGLEAF BLVD. LAKE WALES, FL 33669	
N/A		THE KEGEL CO.	
DESCRIPTION			
L-R, R-L & BOARD PROX WIRING			
DRAWN BY	DATE	DO NOT SCALE DRAWING	
SLS	07/21/15	SIZE	QTY/MACHINE PART NUMBER
APPROVED:	REV DATE	A	N/A
MP		SCALE	N/A
DWG REV		SHEET	11 OF 27

4 3 2 1

OIL VALVE #1 - TANK A



OIL VALVE #2 - TANK B



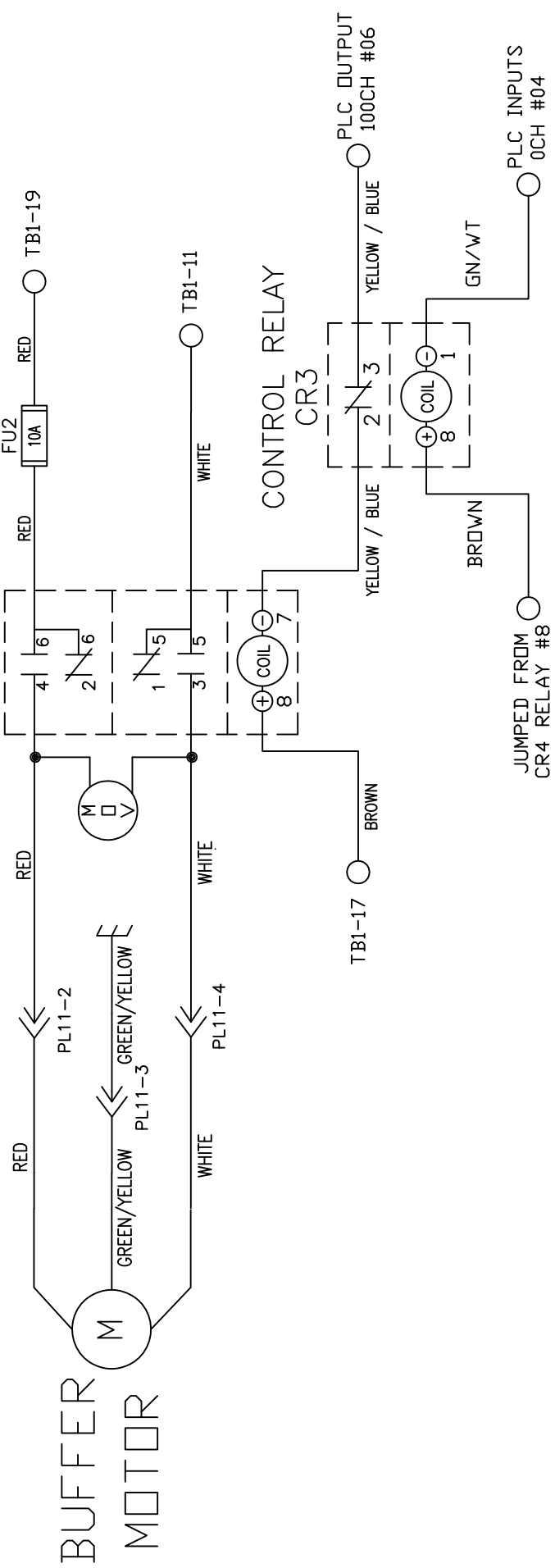
MATERIAL		THE KEGEL CO. 1951 LONGLEAF BLVD. LAKE WALES, FL 33869	
DESCRIPTION		OIL VALVES RELAY WIRING	
DRAWN BY	DATE	DO NOT SCALE DRAWING	DO NOT SCALE DRAWING
SLS	07/21/15	SIZE	QTY/MACHINE PART NUMBER
APPROVED:	REV DATE	A	N/A
MP		SCALE	N/A
DWG REV		SHEET	12 OF 27

4 3 2 1

D C B A

BUFFER MOTOR RELAY CR13

KEGEL P/N
154-1273

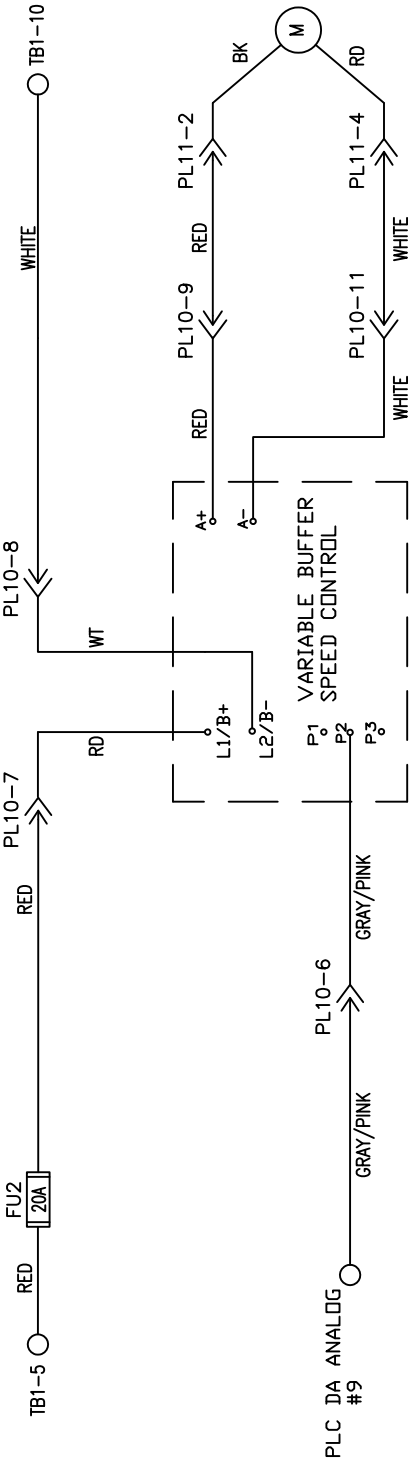


MATERIAL		THE KEGEL CO.		1951 LONGLEAF BLVD. LAKE WALES, FL 33859	
N/A		DESCRIPTION		BUFFER MOTOR WIRING	
DRAWN BY	DATE	DO NOT SCALE DRAWING	SIZE	QTY/MACHINE	PART NUMBER
SLS	07/21/15		A	N/A	FLEX WALKER 2016
APPROVED:	REV DATE		SCALE	N/A	SHEET 13 OF 27
MP					
DOC					
REV					

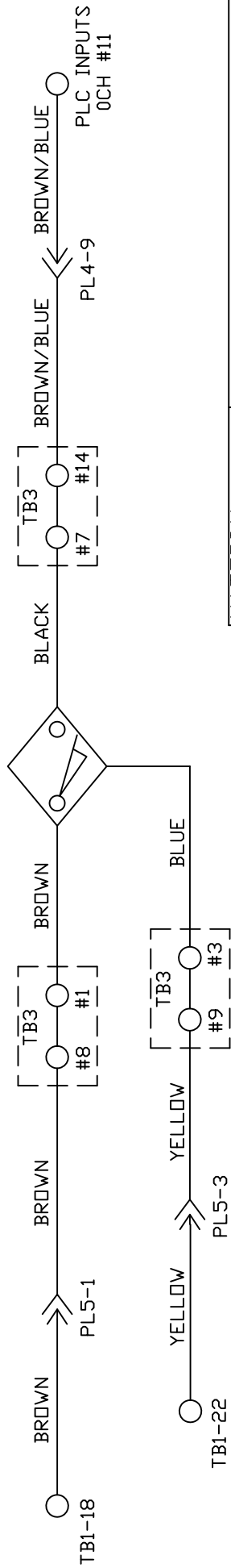
2 3 4

1 2 3 4

KEGEL P/N
154-1270
FU2
20A



VARIABLE BUFFER PROX



MATERIAL	N/A		
DESCRIPTION	VARIABLE BUFFER MOTOR & TACH WIRING DO NOT SCALE DRAWING		
DRAWN BY	DATE	SIZE	QTY/MACHINE
SLS	07/21/15	A	N/A
APPROVED:	REV DATE	SCALE	N/A
MP			
DOC REV			

THE KEGEL CO.
1951 LONGLEAF BLVD.
LAKE WALES, FL 33869
(888) 734-0200

2 3 4

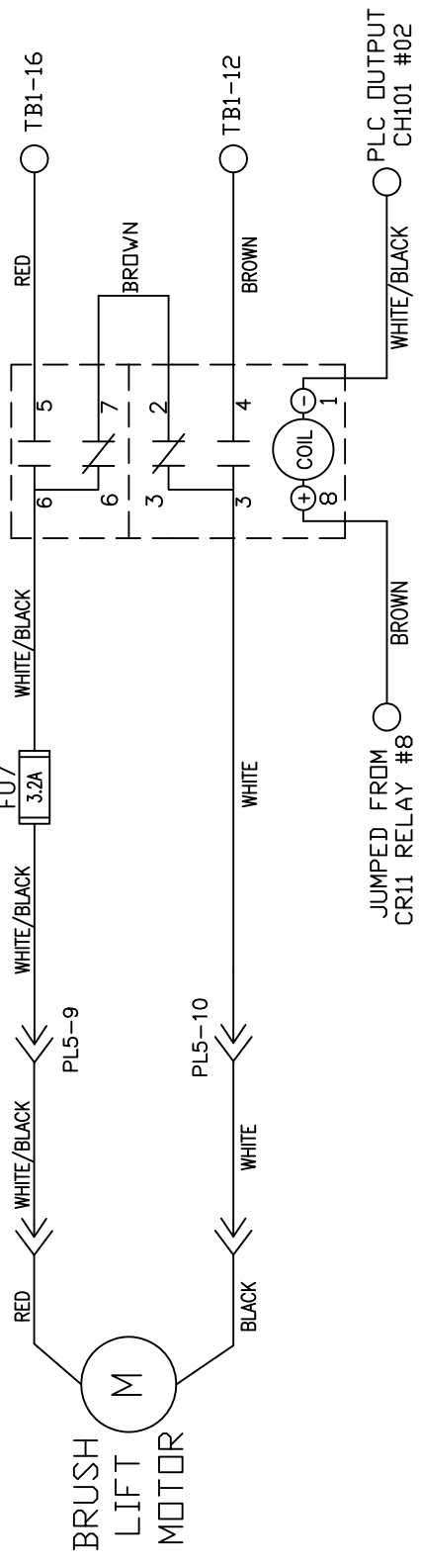
1 2 3 4

4 3 2 1

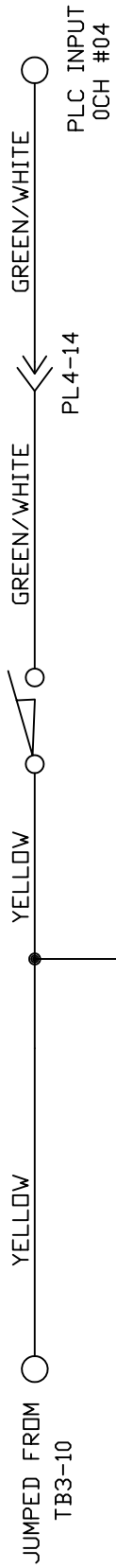
D C B A

BRUSH LIFT MOTOR RELAY CR10

KEGEL P/N
154-1267
FU7
3.2A



BRUSH UP SWITCH



BRUSH DOWN SWITCH



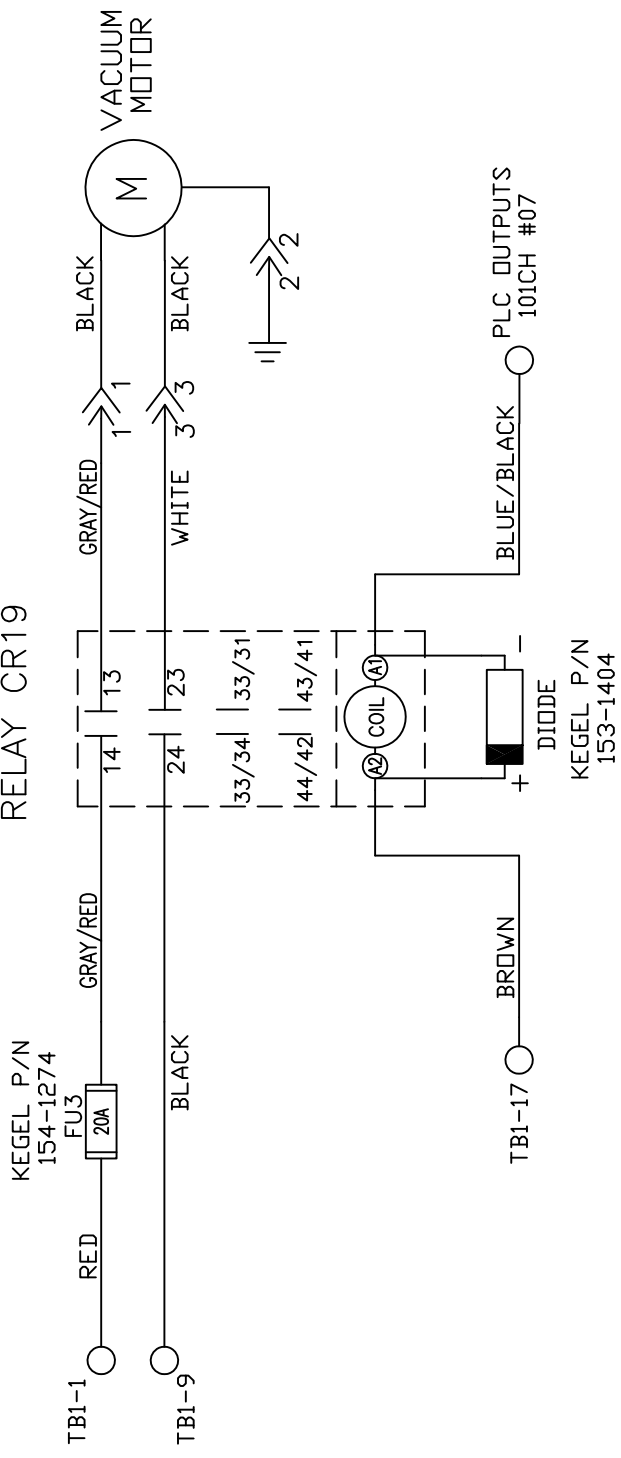
MATERIAL N/A		THE KEGEL CO. 1951 LONGLEAF BLVD. LAKE WALES, FL 33869 (888) 734-0200	
DRAWN BY SLS	DATE 07/21/15	DESCRIPTION BRUSH LIFT MOTOR & SWITCH WIRING DO NOT SCALE DRAWING	
APPROVED: MP	REV DATE	SIZE A	QTY/MACHINE PART NUMBER N/A
DOC REV		SCALE N/A	SHEET 15 OF 27

4 3 2 1

4 3 2 1

D C B A

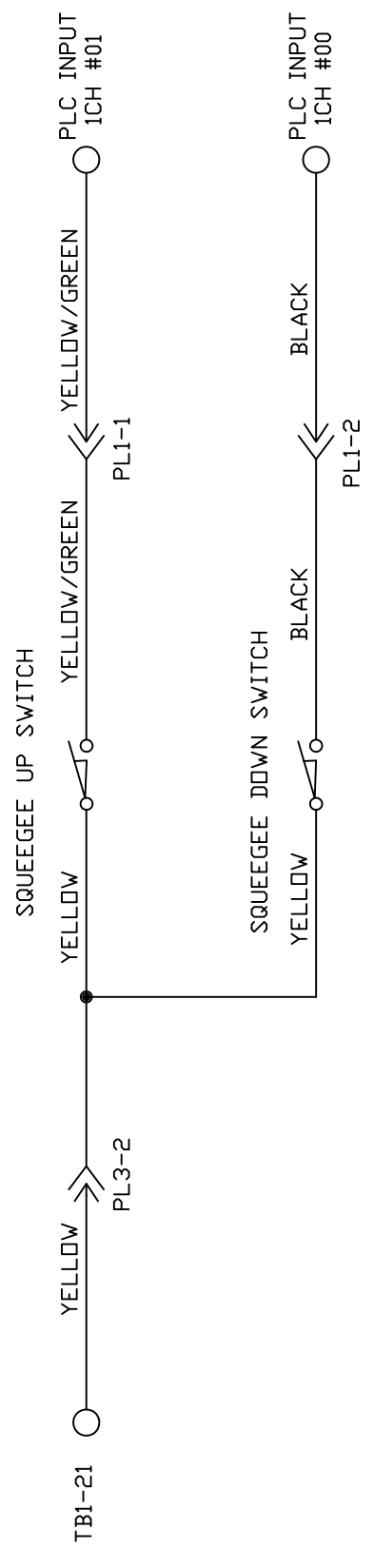
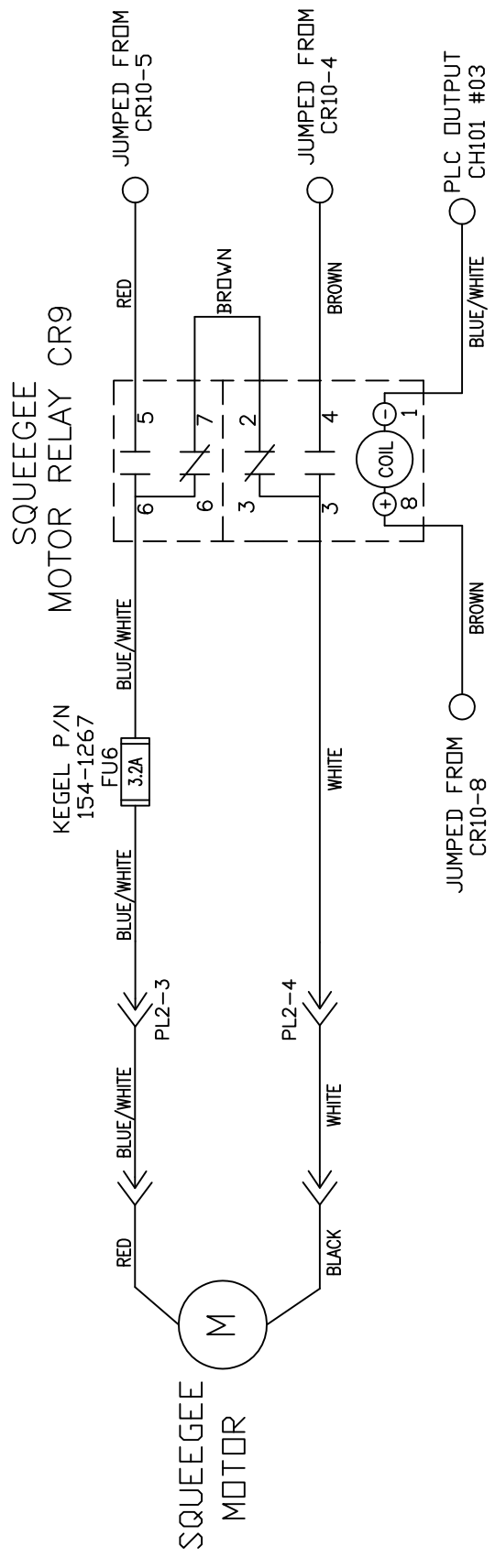
VACUUM MOTOR
RELAY CR19



MATERIAL		THE KEGEL CO. 1951 LONGLEAF BLVD. LAKE WALES, FL 33859 (888) 734-0200	
N/A		DESCRIPTION VACUUM MOTOR WIRING	
DRAWN BY	DATE	DO NOT SCALE DRAWING	SIZE
SLS	07/21/15	QTY/MACHINE PART NUMBER	A
APPROVED:	REV DATE	A	N/A
MP		SCALE	N/A
DOC REV		SHEET	16 OF 27

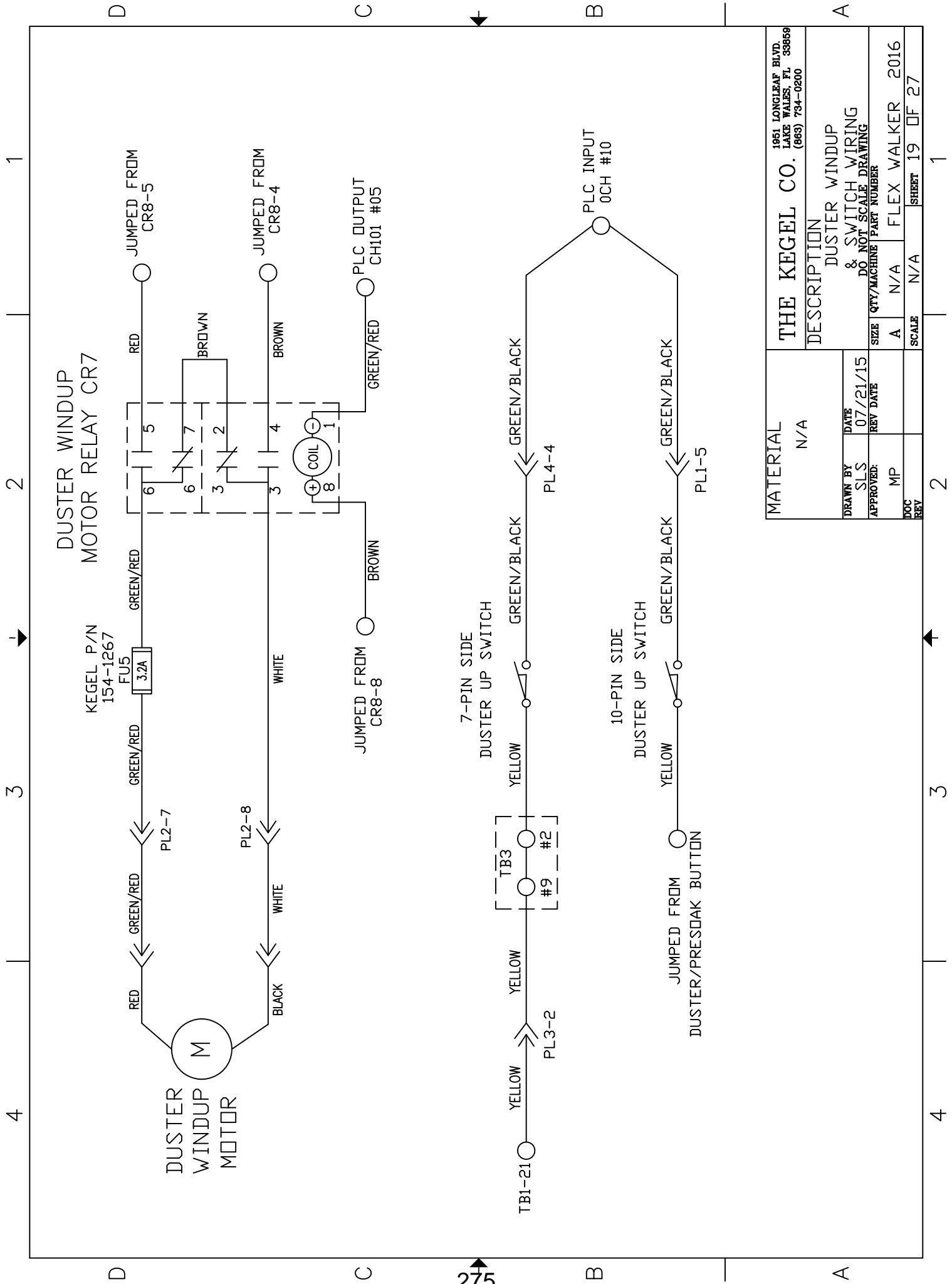
4 3 2 1

4 3 2 1

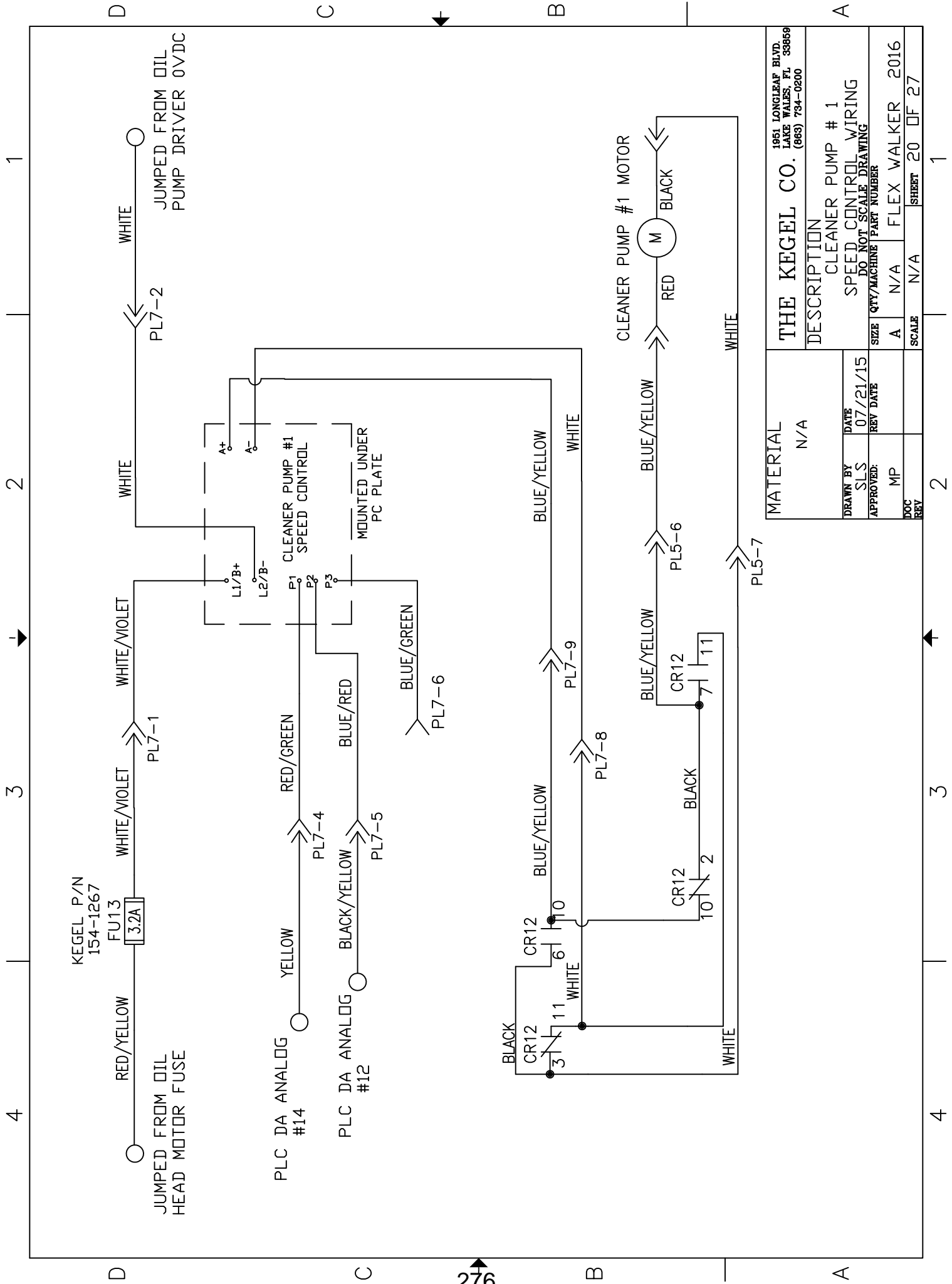


MATERIAL		THE KEGEL CO.		1951 LONGLEAF BLVD. LAKE WALES, FL 33859	
N/A		DESCRIPTION		SQUEEGEE MOTOR & SWITCH WIRING DO NOT SCALE DRAWING	
DRAWN BY	DATE	SIZE	QTY/MACHINE	PART NUMBER	
SLS	07/21/15	A	N/A	N/A	
APPROVED:	REV DATE	SCALE	N/A	SHEET	17 OF 27
MP					
DOC REV					

4 3 2 1

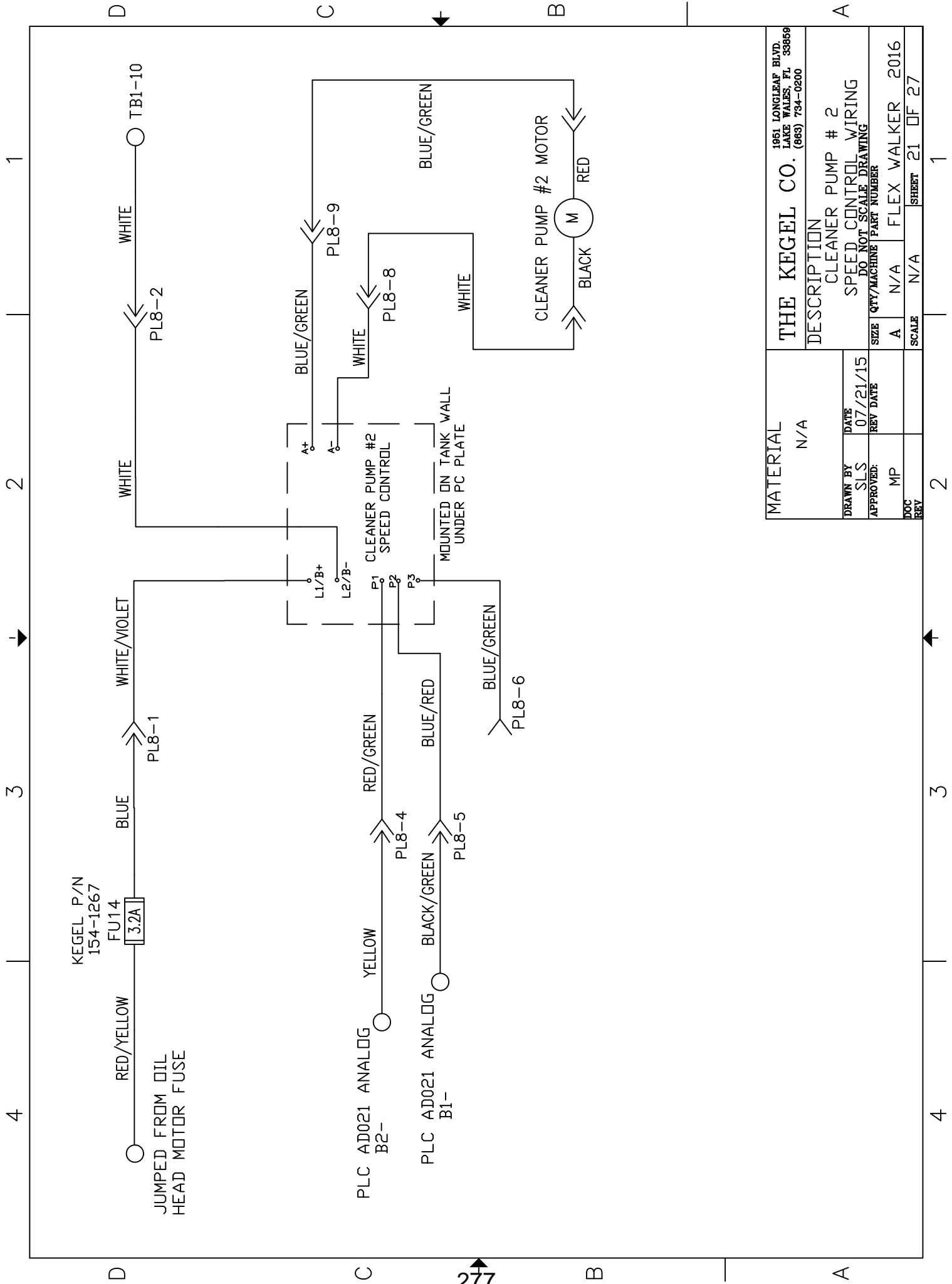


MATERIAL		N/A	
DRAWN BY	SLS	DATE	07/21/15
APPROVED:	MP	REV DATE	
DESCRIPTION		DUSTER WINDUP & SWITCH WIRING	
SIZE	A	QTY/MACHINE	N/A
SCALE	N/A	REV	19
THE KEGEL CO. (689) 734-0200		1951 LONGLEAF BLVD. LAKE WALES, FL 33859	
DO NOT SCALE DRAWING		FLEX WALKER 2016	
SHEET 19		OF 27	



MATERIAL		N/A	
DRAWN BY	DATE	DESCRIPTION	
SLS	07/21/15	CLEANER PUMP # 1	
APPROVED:	REV DATE	SPEED CONTROL WIRING	
MP		DO NOT SCALE DRAWING	
DOC	REV	SIZE	QTY/MACHINE PART NUMBER
		A	N/A
		SCALE	N/A
		SHEET	20 OF 27

THE KEGEL CO.		1951 LONGLEAF BLVD. LAKE WALES, FL 33869 (888) 734-0200	
DESCRIPTION		CLEANER PUMP # 1	
SPEED CONTROL WIRING		DO NOT SCALE DRAWING	
SIZE	QTY/MACHINE PART NUMBER	A	N/A
SCALE	N/A	SHEET	20 OF 27



KEGEL P/N
154-1267

FU14
3.2A

JUMPED FROM OIL
HEAD MOTOR FUSE

PLC AD021 ANALOG
B2-

PLC AD021 ANALOG
B1-

RED/GREEN
PL8-4

BLACK/GREEN
PL8-5

BLUE/GREEN
PL8-6

CLEANER PUMP #2
SPEED CONTROL

MOUNTED ON TANK WALL
UNDER PC PLATE

BLUE/GREEN
PL8-9

WHITE
PL8-8

WHITE
PL8-2

CLEANER PUMP #2 MOTOR
M
BLACK RED

MATERIAL	N/A	
DESCRIPTION	CLEANER PUMP # 2 SPEED CONTROL WIRING DO NOT SCALE DRAWING	
DRAWN BY	DATE	07/21/15
APPROVED:	REV DATE	
MP	SIZE	QTY/MACHINE PART NUMBER
DOC	A	N/A
REV	SCALE	N/A
	SHEET	21 OF 27

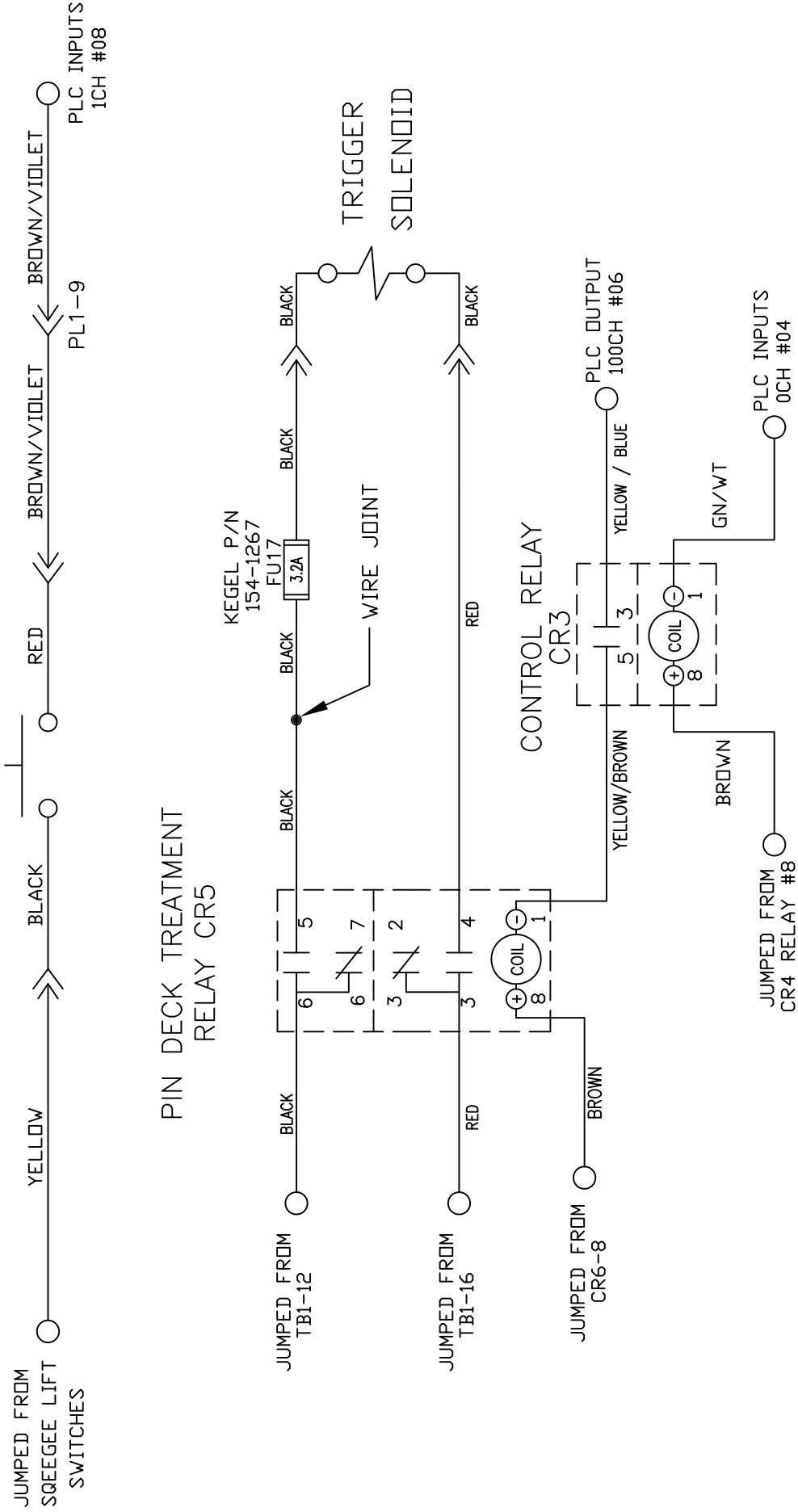
THE KEGEL CO.
1951 LONGLEAF BLVD.
LAKE WALES, FL 33869
(888) 734-0200

1951 LONGLEAF BLVD.
LAKE WALES, FL 33869
(888) 734-0200

CLEANER PUMP # 2
SPEED CONTROL WIRING
DO NOT SCALE DRAWING

QTY/MACHINE PART NUMBER
A N/A
SCALE N/A
SHEET 21 OF 27

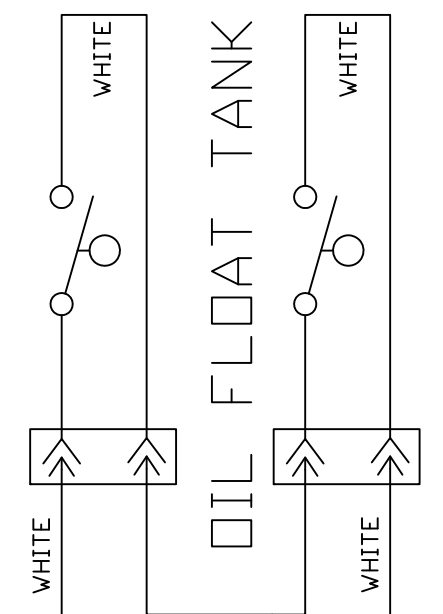
DUSTER/PRESOAK BUTTON



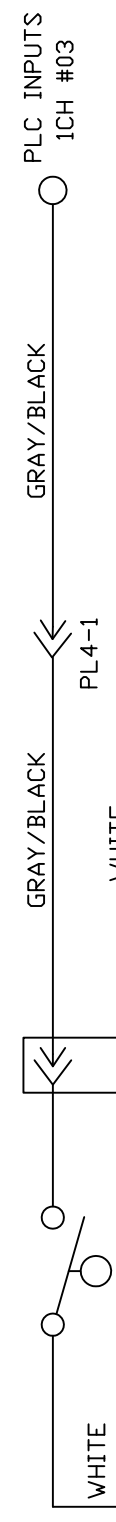
MATERIAL		THE KEGEL CO. (669) 734-0200	
N/A		1951 LONGLEAF BLVD. LAKE WALES, FL 33869	
DRAWN BY	DATE	DESCRIPTION	
SLS	07/21/15	DUSTER/PRESOAK BUTTON	
APPROVED:	REV DATE	& TRIGGER SOLENOID	
MP		DO NOT SCALE DRAWING	
DOC	SIZE	QTY/MACHINE	PART NUMBER
REV	A	N/A	FLEX WALKER 2016
	SCALE	N/A	SHEET 22 OF 27

4 3 2 1

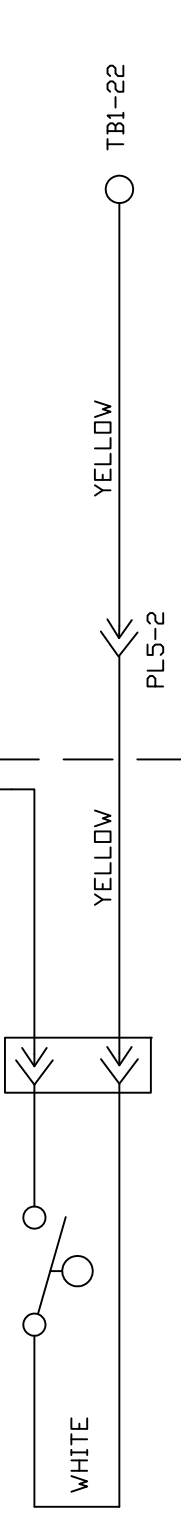
OIL FLOAT TANK A



CLEANER FLOAT PUMP #1



CLEANER FLOAT PUMP #2



OPTIONAL CLEANER UPGRADE

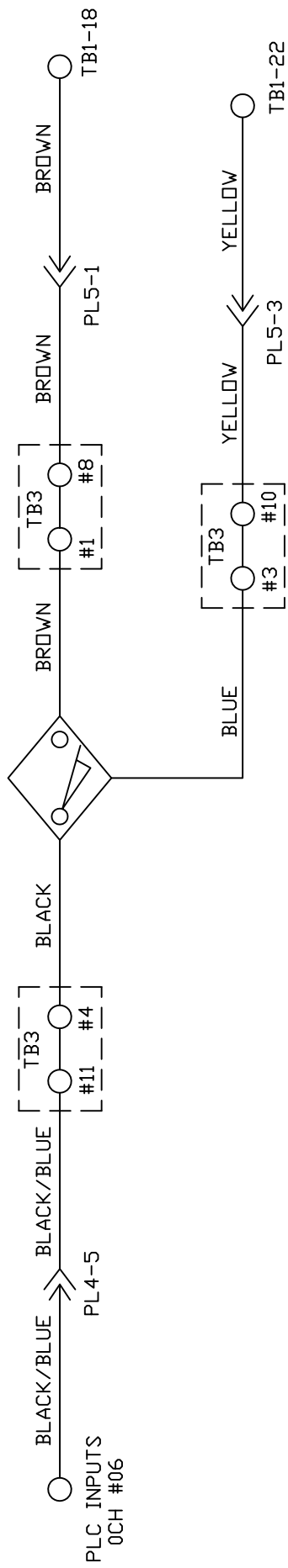
MATERIAL	N/A		
DESCRIPTION	OIL FLOATS & CLEANER FLOATS WIRING DO NOT SCALE DRAWING		
DRAWN BY	DATE	SIZE	QTY/MACHINE
SLS	07/21/15	A	N/A
APPROVED:	REV DATE	SCALE	N/A
MP			
DWG REV			

4 3 2 1

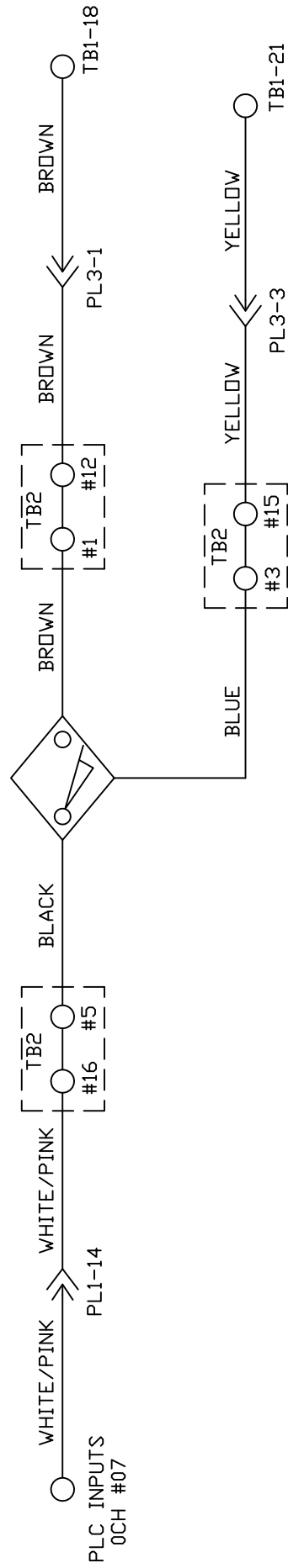
THE KEGEL CO. 1951 LONGLEAF BLVD. LAKE WALES, FL 33869 (889) 734-0200

4 3 2 1

SPEED TACH PROX



LANE DISTANCE PROX



MATERIAL		THE KEGEL CO. 1951 LONGLEAF BLVD. LAKE WALES, FL 33869	
N/A		DESCRIPTION	
DRAWN BY SLS		SPEED TACH & LANE DISTANCE WIRING	
DATE 07/21/15		DO NOT SCALE DRAWING	
APPROVED: MP		SIZE	QTY/MACHINE PART NUMBER
		A	N/A
DOC REV		SCALE	N/A
			SHEET 24 OF 27

4 3 2 1

4 3 2 1

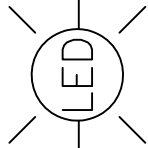
TB1-15

KEGEL P/N
155-1229
FUJ16
1A

PL4-12

RED/GREEN

RED/GREEN



YELLOW/WHITE



YELLOW



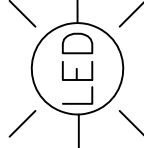
YELLOW



LED TANK
LIGHT SWITCH

YELLOW

LED ARROW
LIGHT



RED/GREEN

D

C

B

A

D

C

B

A

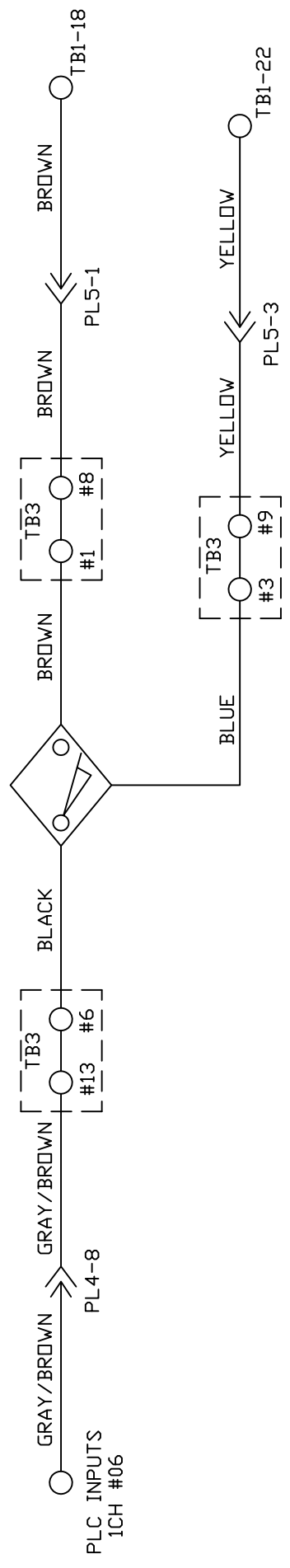
281

MATERIAL		THE KEGEL CO.		1951 LONGLEAF BLVD. LAKE WALES, FL 33859	
N/A		DESCRIPTION		LED TANK LIGHT WIRING	
DRAWN BY	DATE	DO NOT SCALE DRAWING		SIZE	QTY/MACHINE PART NUMBER
SLS	07/21/15			A	N/A
APPROVED:	REV DATE			SCALE	N/A
MP				SHEET	25 OF 27
DOC					
REV					

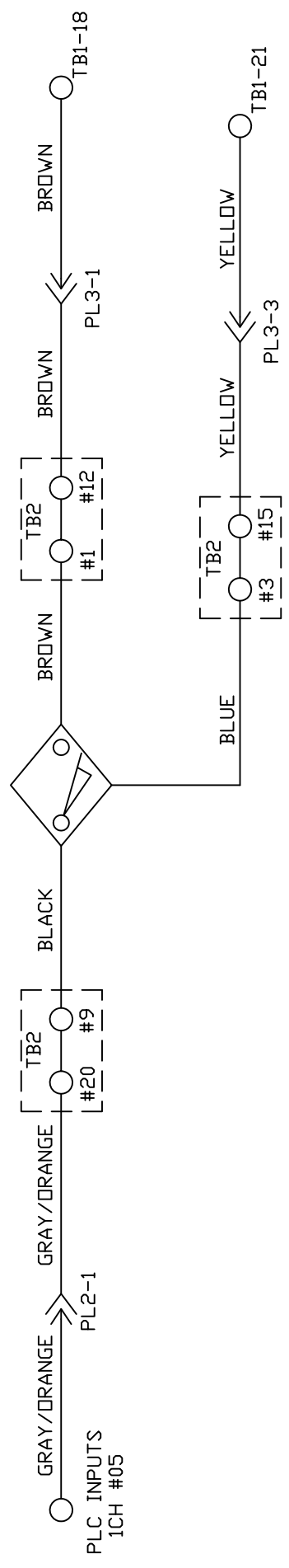
4 3 2 1

4 3 2 1

ADS PROX 7-PIN SIDE



ADS PROX 10-PIN SIDE

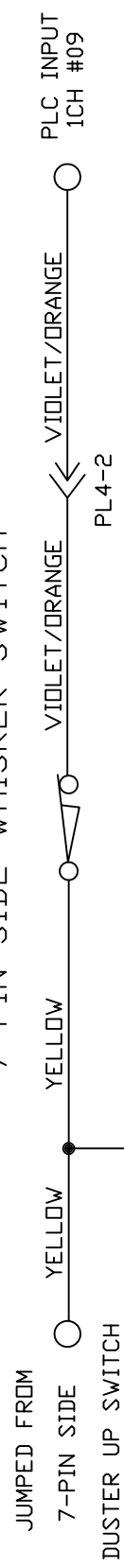


MATERIAL		1951 LONGLEAF BLVD. LAKE WALES, FL 33869	
N/A		THE KEGEL CO. (888) 734-0200	
DESCRIPTION			
ADS WIRING			
7-PIN & 10-PIN SIDE			
DO NOT SCALE DRAWING			
DRAWN BY	DATE	SIZE	QTY/MACHINE PART NUMBER
SLS	07/21/15	A	N/A
APPROVED:	REV DATE	SCALE	N/A
MP			
DOC REV			

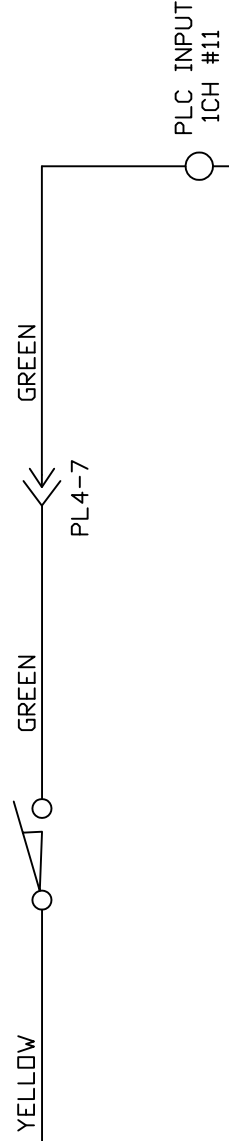
4 3 2 1

4 3 2 1

7-PIN SIDE WHISKER SWITCH



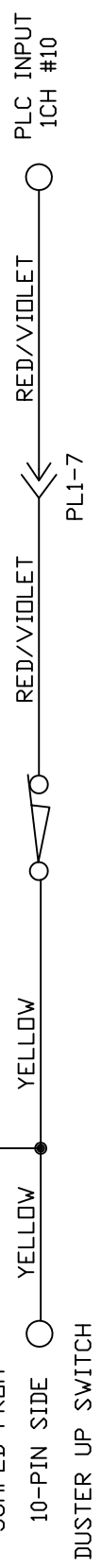
7-PIN SIDE BUMPER SWITCH



10-PIN SIDE BUMPER SWITCH



10-PIN SIDE WHISKER SWITCH



MATERIAL		THE KEGEL CO.		1951 LONGLEAF BLVD. LAKE WALES, FL 33869	
N/A		DESCRIPTION		BUMPER & WHISKER	
DRAWN BY	DATE	DO NOT SCALE DRAWING		SWITCH WIRING	
SLS	07/21/15	SIZE	QTY/MACHINE	PART NUMBER	
APPROVED:	REV DATE	A	N/A	FLEX WALKER	2016
MP		SCALE	N/A	SHEET	27 OF 27
DOC					
REV					

4 3 2 1