

OPERATORS MANUAL
FOR FLEX AND FLEX WALKER
LANE MACHINES
Edition 3:15

KEGEL LLC
1951 Longleaf Blvd.
Lake Wales, FL 33859
863-734-0200 | 800-280-2695

BATTERIES AND CHARGERS

Rev. 12/13



158-1634 – K2 LITHIUM – 25.6 Ah



158-1634B – K2 LITHIUM – 38.4 Ah



158-1634C – K2 LITHIUM – 51.2 Ah

Battery Quick Disconnects

Red - 158-1407

Blue - 158-1408

ProNautic® Charger and Accessories



164-8471 -

EXTERNAL BATTERY CHARGER ASSEMBLY – 115V

164-8471 E

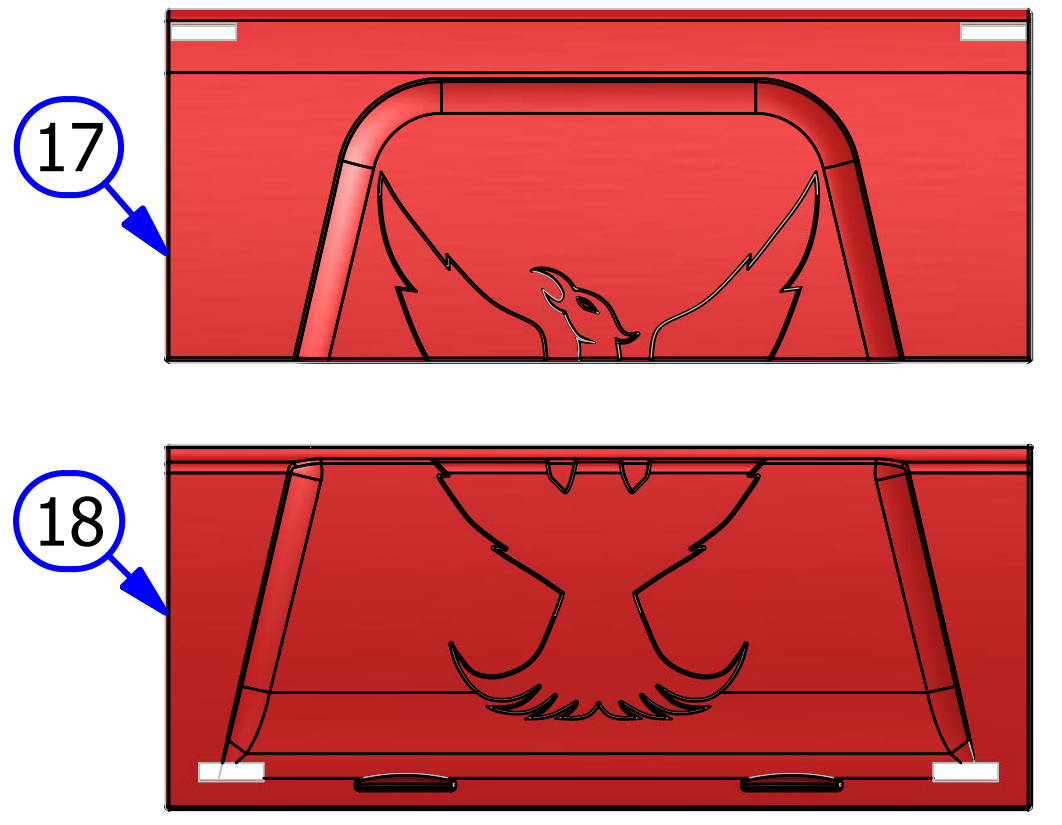
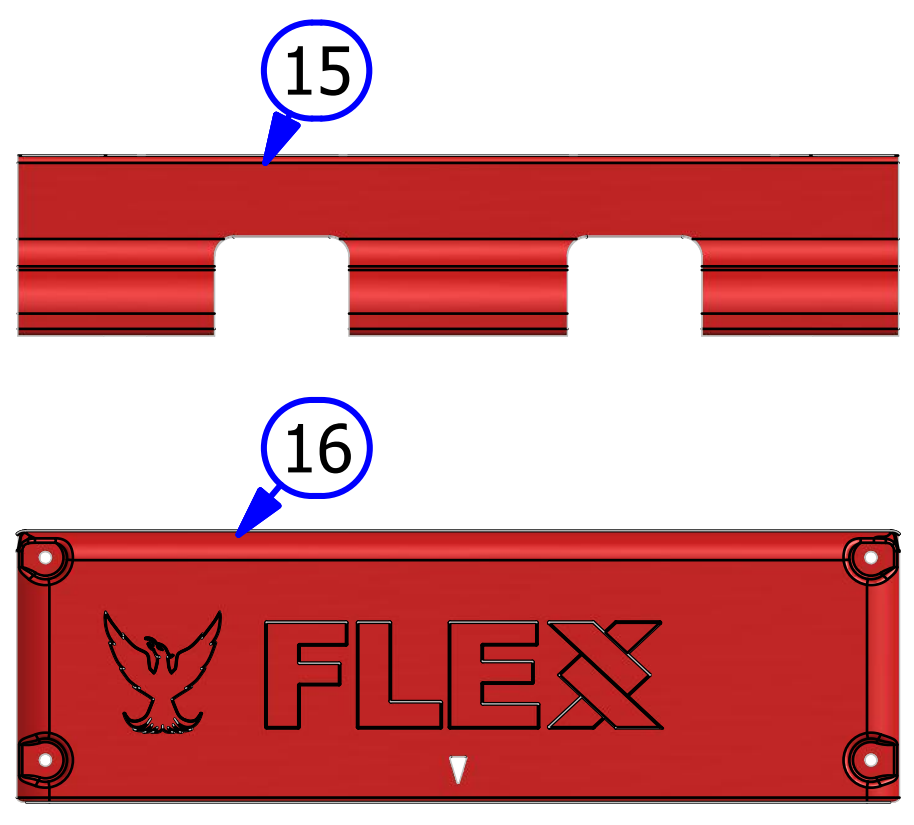
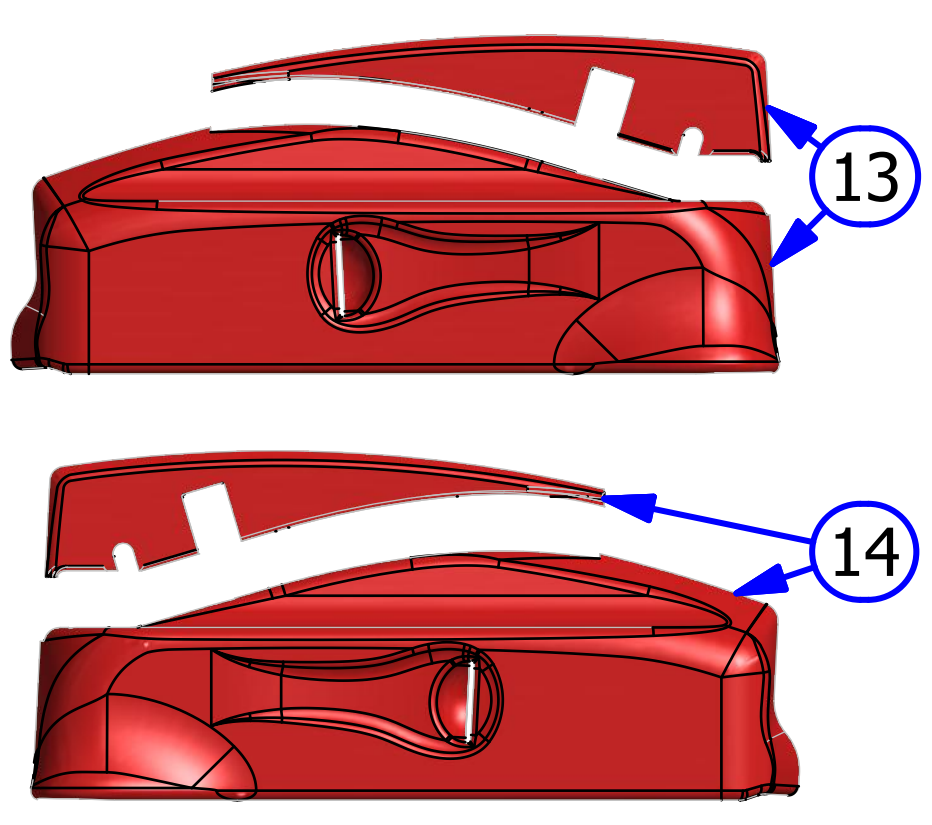
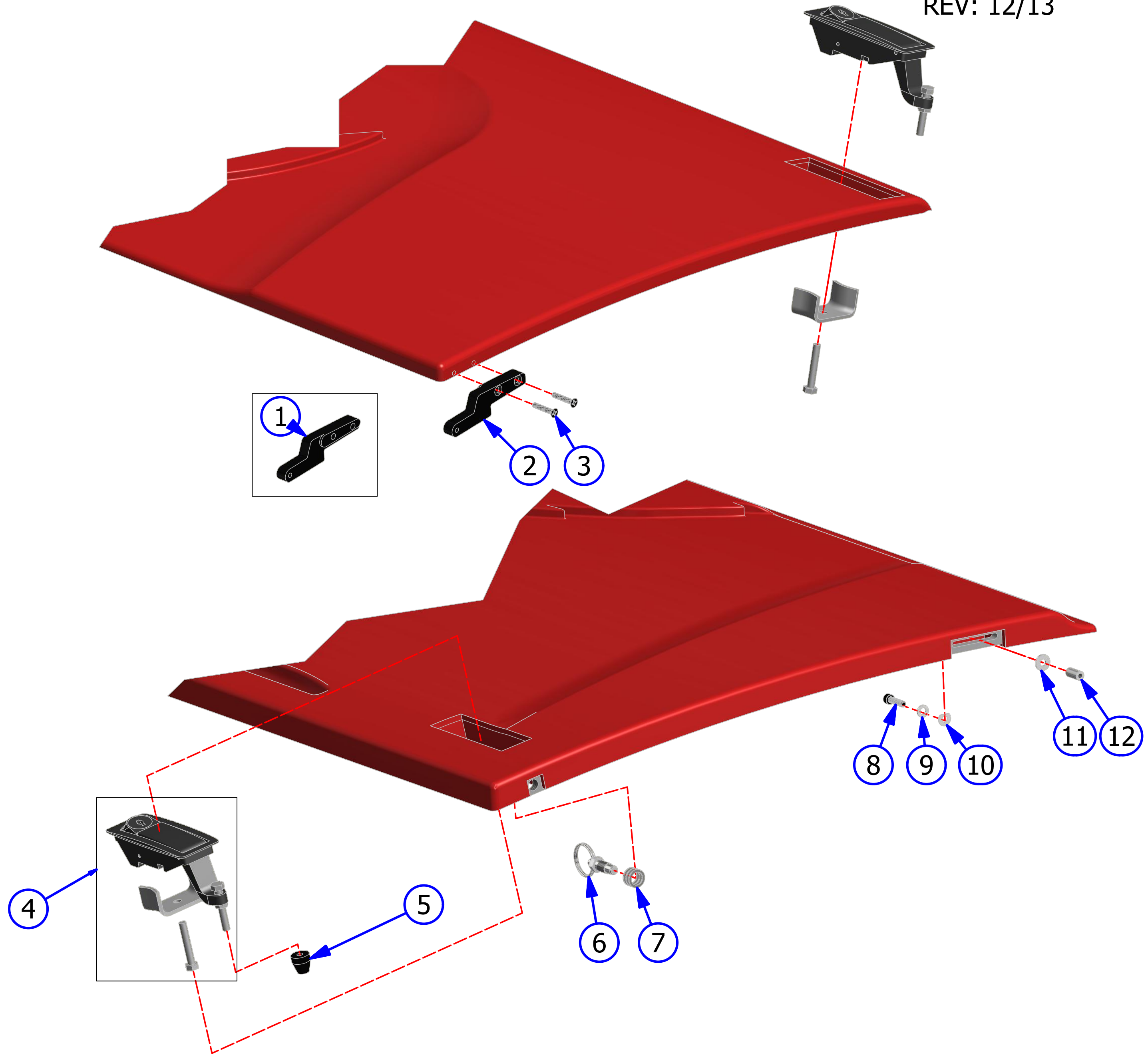
EXTERNAL BATTERY CHARGER ASSEMBLY – 230v

DC Power Cord Assembly – 6FT External – 164-8475

LID AND COVER ASSEMBLY - FLEX

REV. 3/14

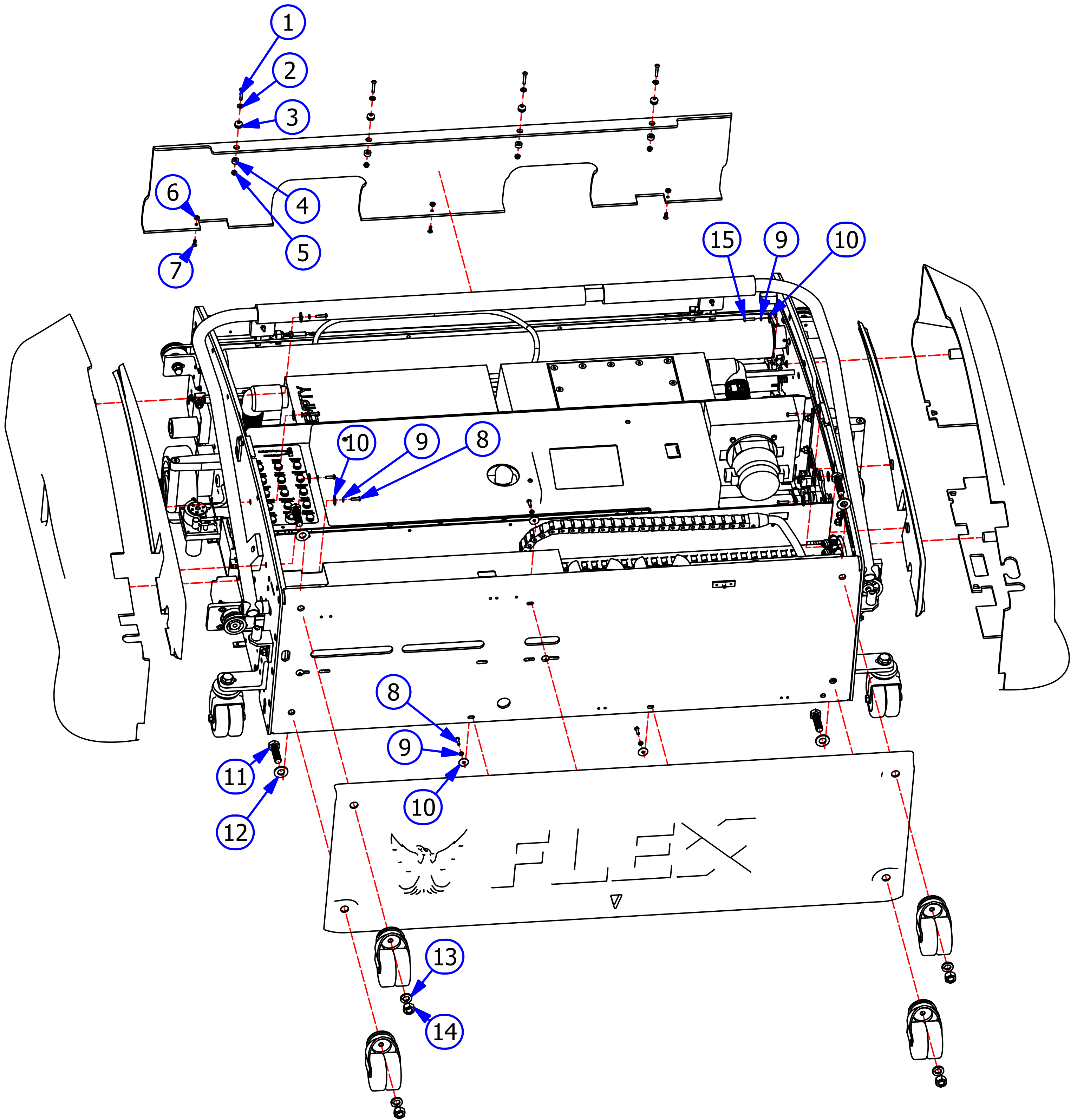
<u>INDEX</u>				
<u>NUMBER</u>	<u>QTY.</u>	<u>PART NUMBER</u>	<u>DESCRIPTION</u>	<u>UOM</u>
1	1	164-6101	HINGE LID PIVOT ARM (RT)	EA
2	1	164-6100	HINGE LID PIVOT ARM (LT)	EA
3	4	164-2022	SCREW 6-32 X 3/4 18-8SS PHIL FHMS BLK OX	EA
4	2	153-2232L	LID LATCH - FLUSH MOUNT WITH LOCK	EA
5	2	164-6164	LID LATCH BUMPER	EA
6	2	164-2002	DETENT-SPRING PLUNGER-3/8-16 THREAD	EA
7	6	164-2041	SHIM FOR SCREW SHOULDER .032 THICK	EA
8	2	153-2986	SCREW 8-32 X 5/8 SHCS BLACK OXIDE	EA
9	2	153-2013	#10 LOCKWASHER	EA
10	2	164-2043	WASHER-ANTI ROTATING D SHAPED # 8	EA
11	2	153-2002	#8 FLATWASHER	EA
12	2	164-2027	STANDOFF FEMALE THREADED 8-32 X 1/2	EA
13	1	164-6724	FLEX LT SIDE GUARD - 2 PC SET (WHITE)	EA
		164-6724-1525	FLEX LT SIDE GUARD - 2 PC SET (BLUE)	EA
		164-6724-2850	FLEX LT SIDE GUARD - 2 PC SET (BLACK)	EA
		164-6724-2911	FLEX LT SIDE GUARD - 2 PC SET (RED)	EA
14	1	164-6723	FLEX RT SIDE GUARD - 2 PC SET (WHITE)	EA
	1	164-6723-1525	FLEX RT SIDE GUARD - 2 PC SET (BLUE)	EA
	1	164-6723-2850	FLEX RT SIDE GUARD - 2 PC SET (BLACK)	EA
	1	164-6723-2911	FLEX RT SIDE GUARD - 2 PC SET (RED)	EA
15	1	164-6725	FRONT BUMPER - WHITE	EA
		164-6725-1525	FRONT BUMPER - BLUE	EA
		164-6725-2850	FRONT BUMPER - BLACK	EA
		164-6725-2911	FRONT BUMPER - RED	EA
16	1	164-8049	FLEX BACK PANEL - WHITE	EA
	1	164-8049-1525	FLEX BACK PANEL - BLUE	EA
	1	164-8049-2850	FLEX BACK PANEL - BLACK	EA
	1	164-8049-2911	FLEX BACK PANEL - RED	EA
17	1	164-8031F	CLEANER COMPARTMENT LID - RED	EA
	1	164-8033F	CLEANER COMPARTMENT LID - BLACK	EA
	1	164-8035F	CLEANER COMPARTMENT LID - WHITE	EA
	1	164-8037F	CLEANER COMPARTMENT LID - BLUE	EA
18	1	164-8031	SLIDING LID ASSEMBLY - RED	EA
	1	164-8033	SLIDING LID ASSEMBLY - BLACK	EA
	1	164-8035	SLIDING LID ASSEMBLY - WHITE	EA
	1	164-8037	SLIDING LID ASSEMBLY - BLUE	EA
19	1	164-8039	LEFT CABLE REEL ASSEMBLY	EA
20	1	164-8040	RIGHT CABLE REEL ASSEMBLY	EA



PANEL EXPLOSION - FLEX

REV. 6/14

<u>INDEX</u> <u>NUMBER</u>	<u>QTY.</u>	<u>PART</u> <u>NUMBER</u>	<u>DESCRIPTION</u>	<u>UOM</u>
1	4	153-2089	MS PHILLIPS - 8-32 X 1	EA
2	4	153-2002	#8 FLATWASHER	EA
3	4	164-0019	GROMMET 3/16 ID X 9/16 OD	EA
4	4	164-2038	RUBBER BUMPER SBR	EA
5	4	153-2019	LOCKNUT - 8-32 (NYLOK)	EA
6	3	164-2051	THIN HEX LOCKNUT - 8-32	EA
7	3	153-2817	FHMS-8-32 X 1/2	EA
8	7	153-2086	MS PHILLIPS - 8-32 X 5/8	EA
9	11	153-2013	#10 LOCKWASHER	EA
10	11	153-2953	FENDER WASHER - #8	EA
11	4	164-2039	HHCS 1/2-13 X 1 3/4 GRADE 5	EA
12	4	153-2007	1/2 FLATWASHER	EA
13	4	153-2017	1/2 LOCKWASHER	EA
14	4	153-2026	HEX NUT - 1/2-13	EA
15	4	153-2087	MS PHILLIPS - 8-32 X 3/4	EA



TOP VIEW - FLEX

REV. 1/14

<u>INDEX NUMBER</u>	<u>QTY.</u>	<u>PART NUMBER</u>	<u>DESCRIPTION</u>	<u>UOM</u>
1	1	158-8414	BUFFER MOTOR - 24VDC - 500RPM - STANDARD	EA
	1	158-1406B	BUFFER MOTOR BRUSHES (PAIR)	PR
	1	164-9006	BUFFER BELT	EA
	1	158-9401	PULLEY (14 TOOTH 1/2" BORE)	EA
1	1	164-8014	BUFFER MOTOR - 24VDC - 700RPM - VARIABLE BUFFER	EA
	1	158-1405B	BUFFER MOTOR BRUSHES (PAIR)	PR
	1	154-9615	BUFFER BELT (FLX-17733 / FXW-13229 AND ABOVE)	EA
		164-9006	BUFFER BELT (FLX-17732 / FXW-13228 AND BELOW)	
	1	164-9014	BUFFER PULLEY (FLX-17733 / FXW-13229 AND ABOVE)	EA
	164-9012	BUFFER PULLEY (FLX-17732 / FXW-13228 AND BELOW)		
2	1	158-8602	DRIVE MOTOR 24V EXTENDED SHAFT	EA
	1	158-1405B	DRIVE MOTOR BRUSHES (PAIR)	PR
	1	154-9601	CHAIN (FOR 153-9002 SPROCKET)	EA
	1	153-9047	MASTER LINK #40	EA
	1	153-9048	OFFSET LINK #40	EA
	1	153-9002	SPROCKET - 40B13 (5/8 IN)	EA
3	1	158-8407	VACUUM MOTOR - 24VDC	EA
4	1	158-8404D	CLEANER PUMP ASSEMBLY	EA
	1	154-0861B	NORPRENE TUBING FOR CLEANER PUMP ASSEMBLY	EA
5	1	158-8404	CLEANER PUMP MOTOR - 24VDC	EA

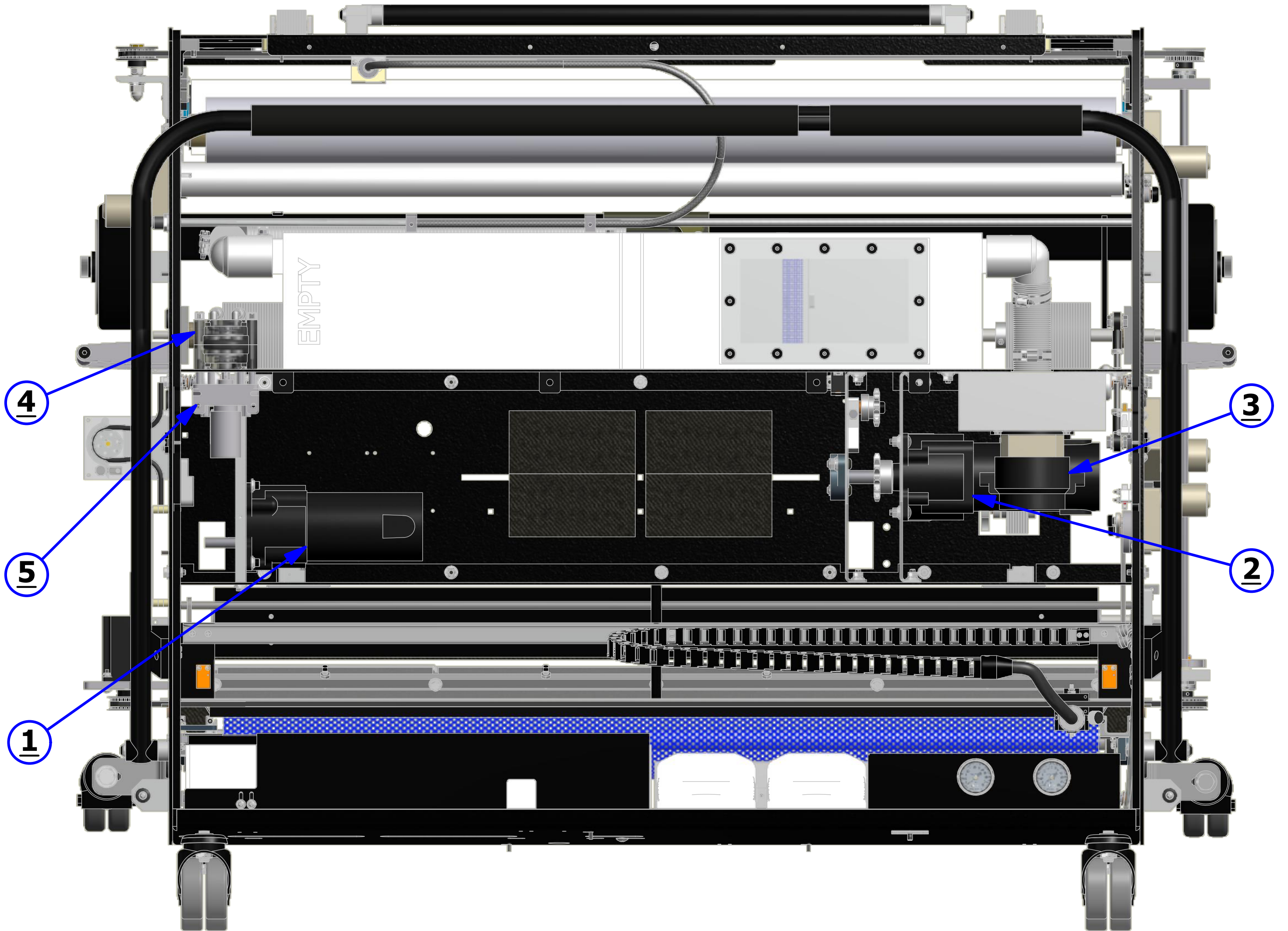


TECHNICAL NOTE

THESE CHANGES WERE MADE FOR THE VARIABLE SPEED BUFFER UPGRADE ONLY.

PART NUMBER 164-9012 IS A 15-TOOTH PULLEY ASSEMBLY AND USES BUFFER BELT PART NUMBER 164-9006.

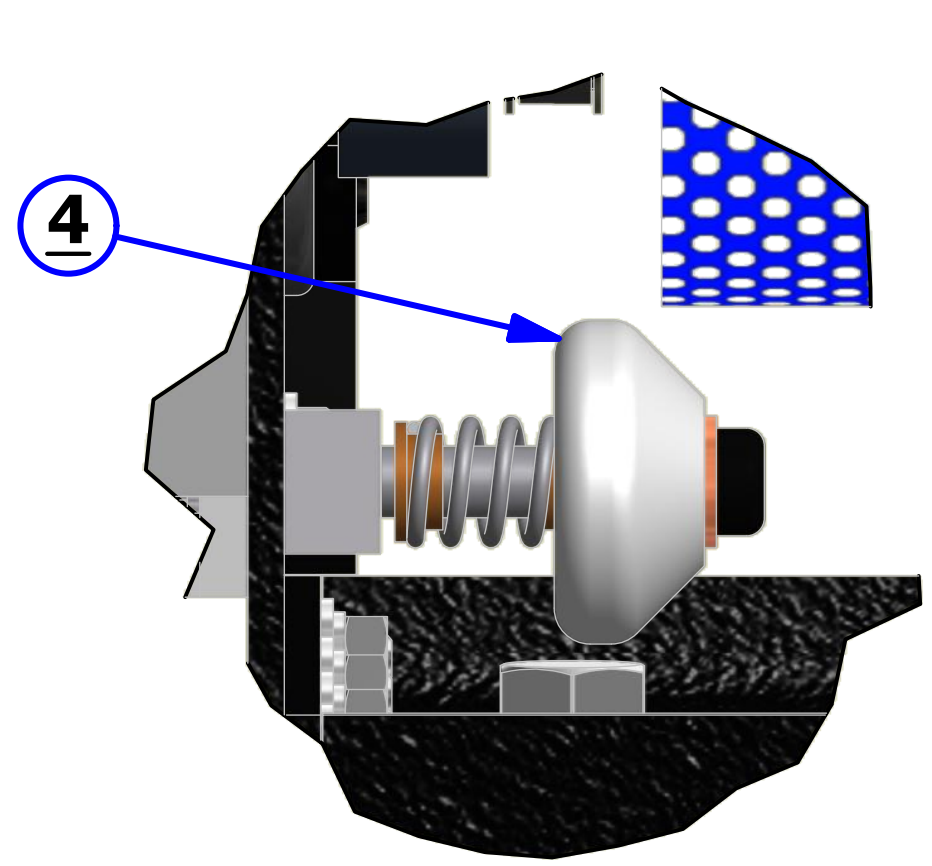
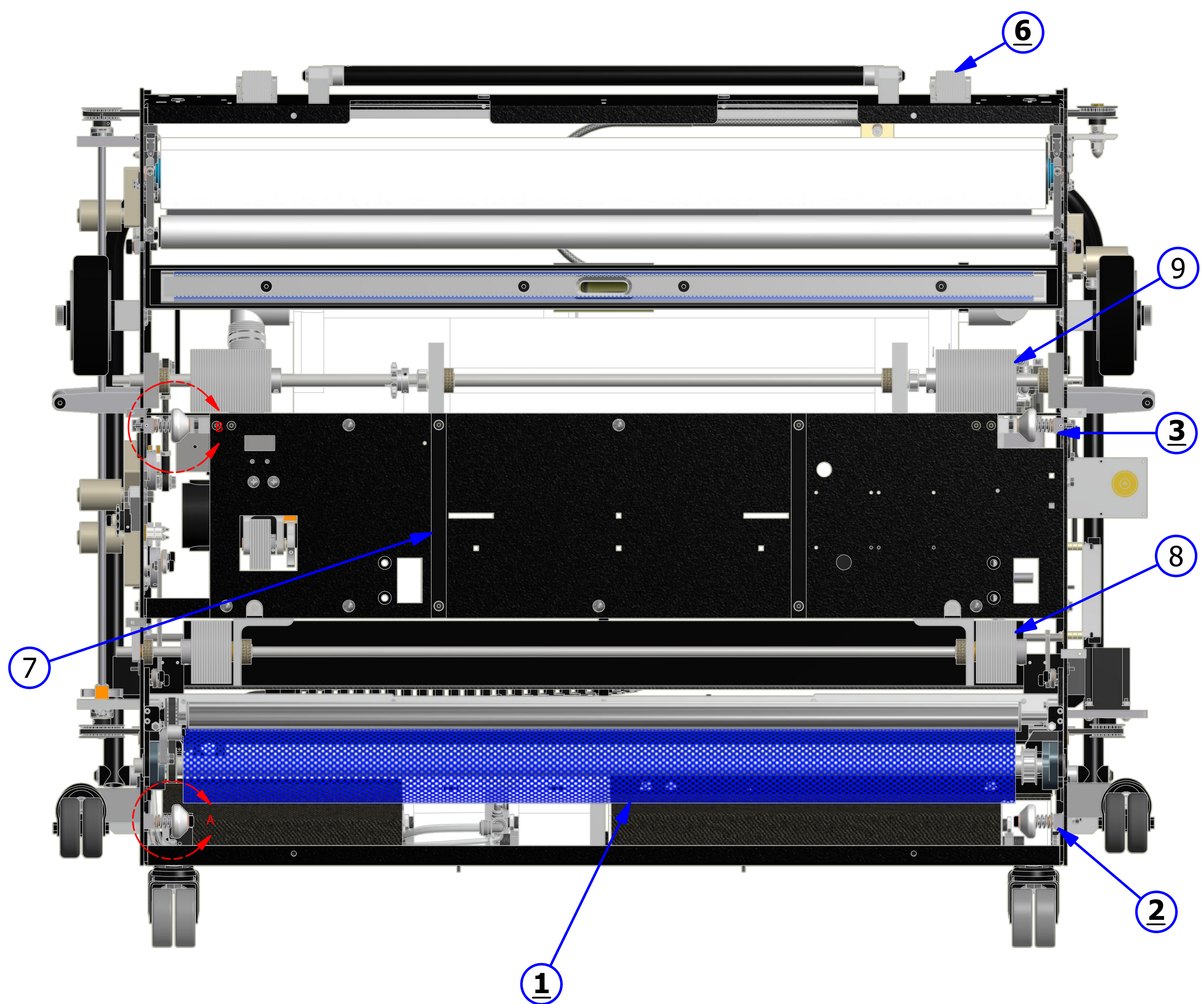
PART NUMBER 164-9014 IS A 16-TOOTH PULLEY ASSEMBLY AND USES BUFFER BELT PART NUMBER 154-9615.



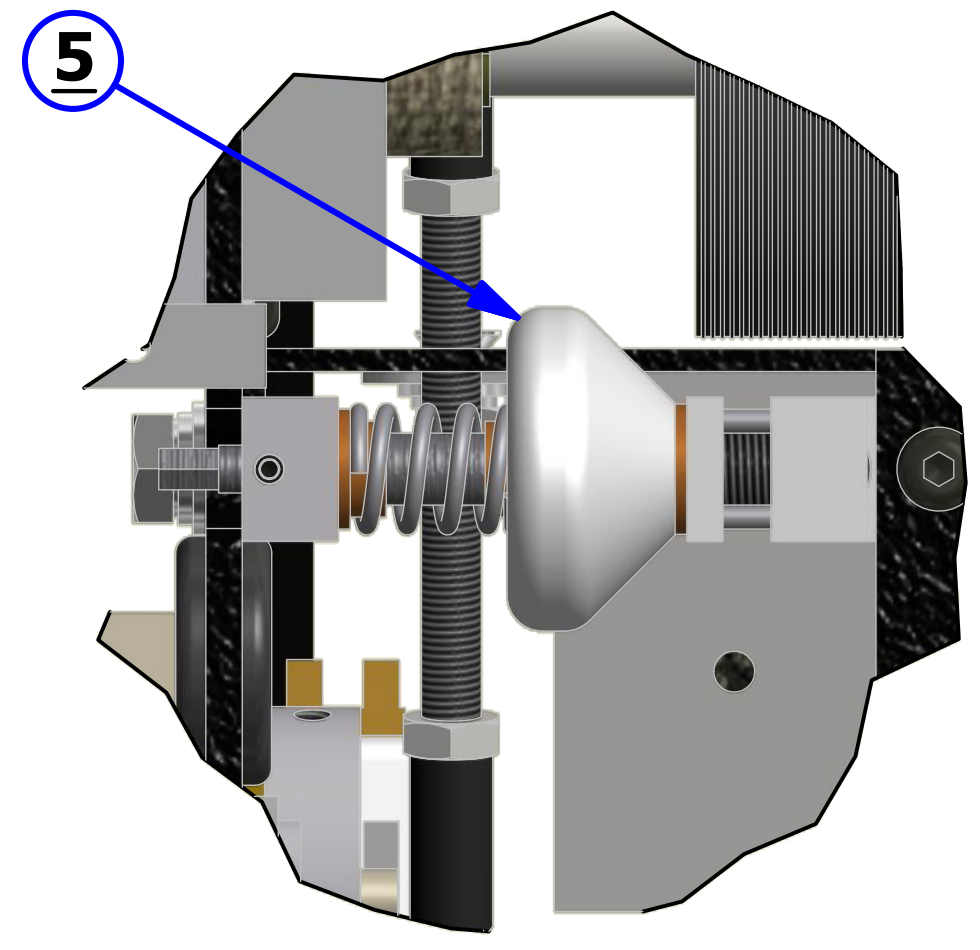
BOTTOM - FLEX

REV. 1/14

<u>INDEX</u> <u>NUMBER</u>	<u>QTY.</u>	<u>PART</u> <u>NUMBER</u>	<u>DESCRIPTION</u>	<u>UOM</u>
1	1	164-8001	BUFFER BRUSH ASSEMBLY	EA
	1	164-9006	BUFFER BELT ASSY. NON-VARIABLE	EA
	1	154-9615	BUFFER BELT ASSEMBLY - VARIABLE BUFF	EA
2	2	158-8642	REAR GUIDE WHEEL ASSEMBLY - COMPLETE <i>THE BELOW ATTACHED PARTS ARE NOT SHOWN</i>	EA
2.1	2	153-2407	SHOULDER BOLT 3/8 X 1 3/4	EA
2.2	2	153-2978	SPRING - COMPRESSION FOR GUIDE WHEEL	EA
2.3	2	158-8636	GUIDE WHEEL ASSEMBLY - REAR	EA
3	2	158-8643	FRONT GUIDE WHEEL ASSEMBLY - COMPLETE <i>THE BELOW ATTACHED PARTS ARE NOT SHOWN</i>	EA
3.1	2	153-9803	FLANGED BUSHING - 3/8 X 1/2 X 3/4	EA
3.2	2	153-2978	SPRING - COMPRESSION FOR GUIDE WHEEL	EA
3.3	2	158-8637	GUIDE WHEEL ASSEMBLY - FRONT	EA
	2	153-6006	MOMENTARY WHEEL SHAFT	EA
	2	153-6029	MOMENTARY WHEEL HOUSING ASSEMBLY	EA
7	2	153-9803	SKID GUIDE	EA
8	2	153-7002AA	LDS/DRIVE WHEEL ASSEMBLY	EA
9	2	153-7013	DRIVE WHEEL ASSEMBLY	EA



DETAIL A

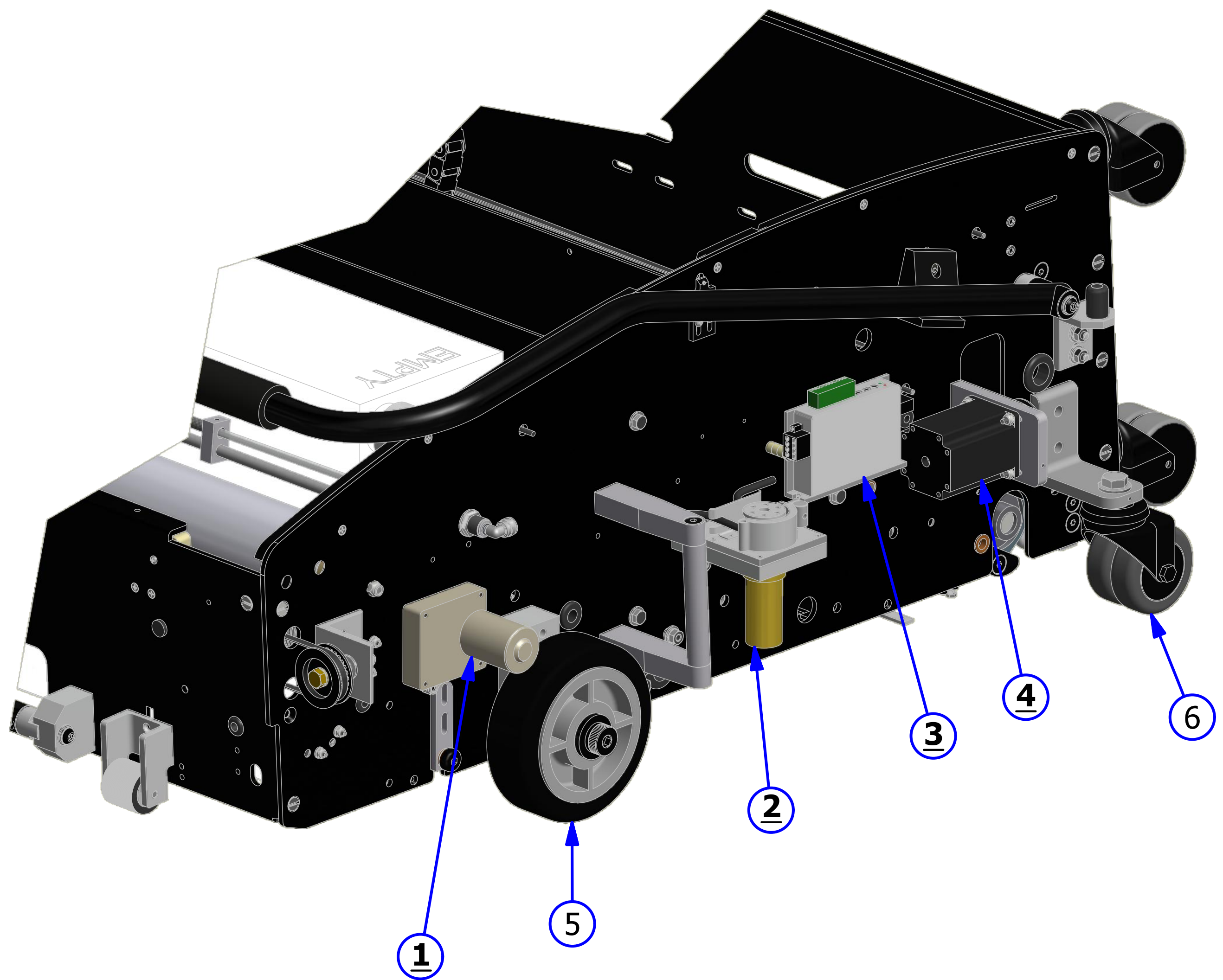


DETAIL B

LEFT SIDE - FLEX

REV. 1/14

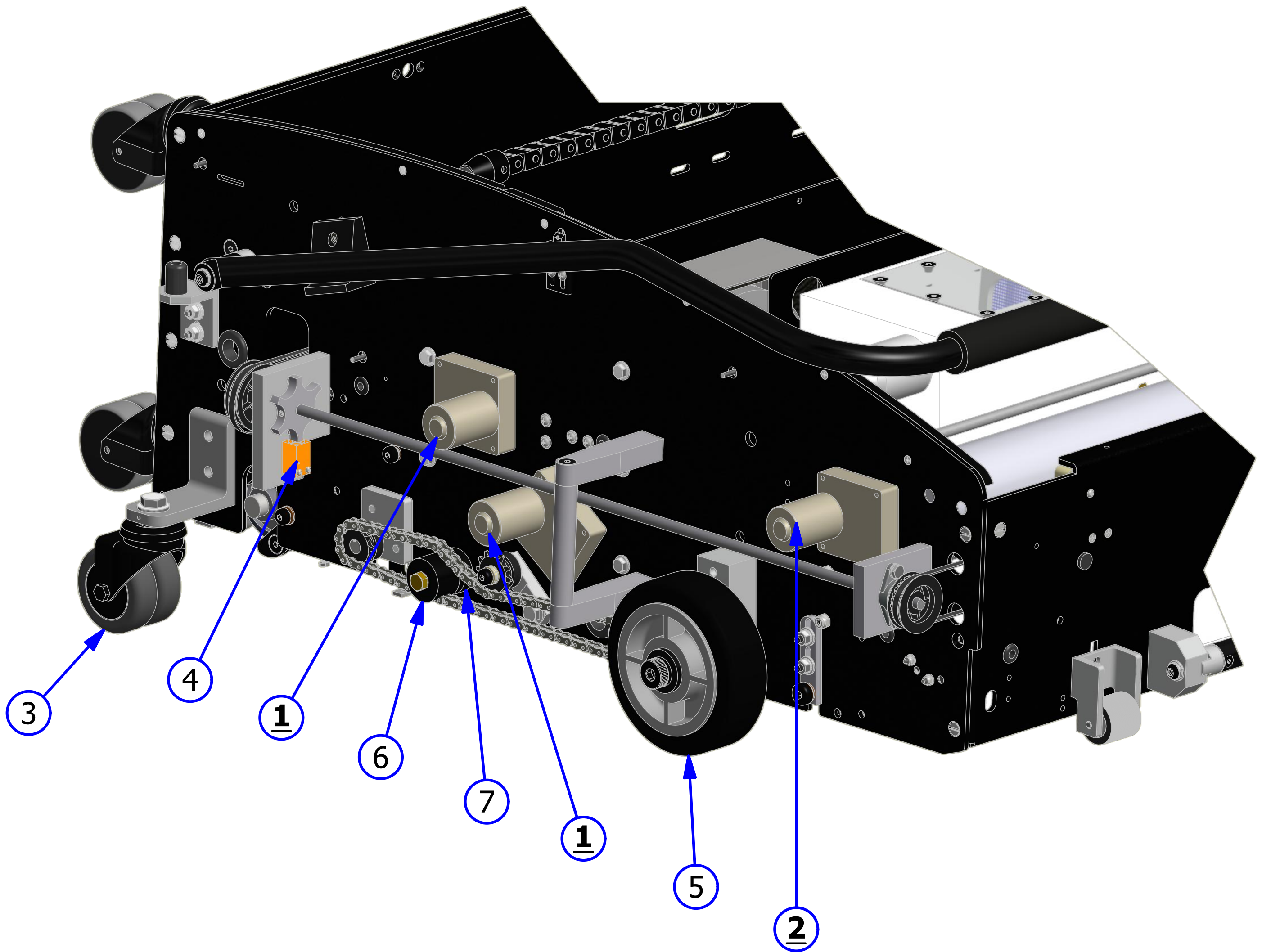
<u>INDEX</u> <u>NUMBER</u>	<u>QTY.</u>	<u>PART</u> <u>NUMBER</u>	<u>DESCRIPTION</u>	<u>UOM</u>
1	2	158-8403	ASSEMBLY - DUSTER MOTOR 24VDC	EA
2	1	164-8027	CLEANER PUMP ASSEMBLY - CONCENTRATE (UPGRADE ONLY)	EA
		164-8025	CLEANER TUBING #14 FOR SUPER CONCENTRATE	EA
		164-8026	CLEANER TUBING #16 FOR REG CONCENTRATE	EA
3	1	158-1605	SPEED CONTROL - BERG	EA
4	1	164-8032	HEAD DRIVE MOTOR ASSEMBLY	EA
5	2	158-7002	6" WHEEL ASSEMBLY	EA
6	6	153-0001BK	CASTER ASSEMBLY (3 INCH DUAL WHEEL)- BLACK	EA



RIGHT SIDE - FLEX

REV. 1/14

<u>INDEX</u> <u>NUMBER</u>	<u>QTY.</u>	<u>PART</u> <u>NUMBER</u>	<u>DESCRIPTION</u>	<u>UOM</u>
1	2	158-8402	SQUEEGEE / BRUSH LIFT MOTOR - 24VDC	EA
2	2	158-8403	DUSTER MOTOR ASSEMBLY - 24VDC	EA
3	6	153-0001BK	CASTER ASSEMBLY (3 INCH DUAL WHEEL)- BLACK	EA
4	1	154-1220	PROXIMITY SENSOR	EA
5	2	153-7002	6" WHEEL ASSEMBLY	EA
6	1	164-6154	FLEX CHAIN HUB ASSEMBLY - OUTSIDE	EA
7	1	164-6154A	FLEX CHAIN HUB ASSEMBLY - INSIDE	EA



LDS ASSEMBLY - FLEX

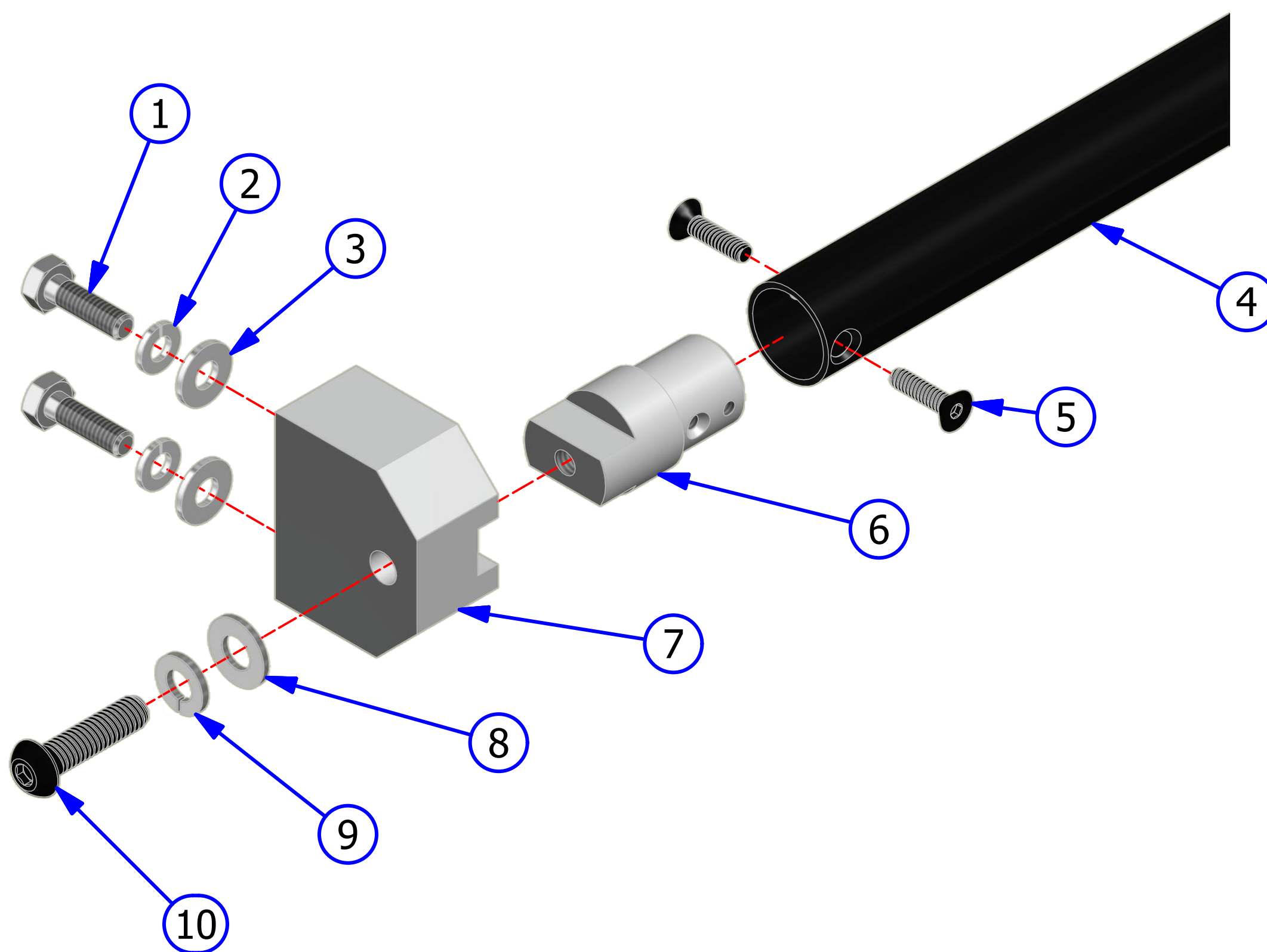
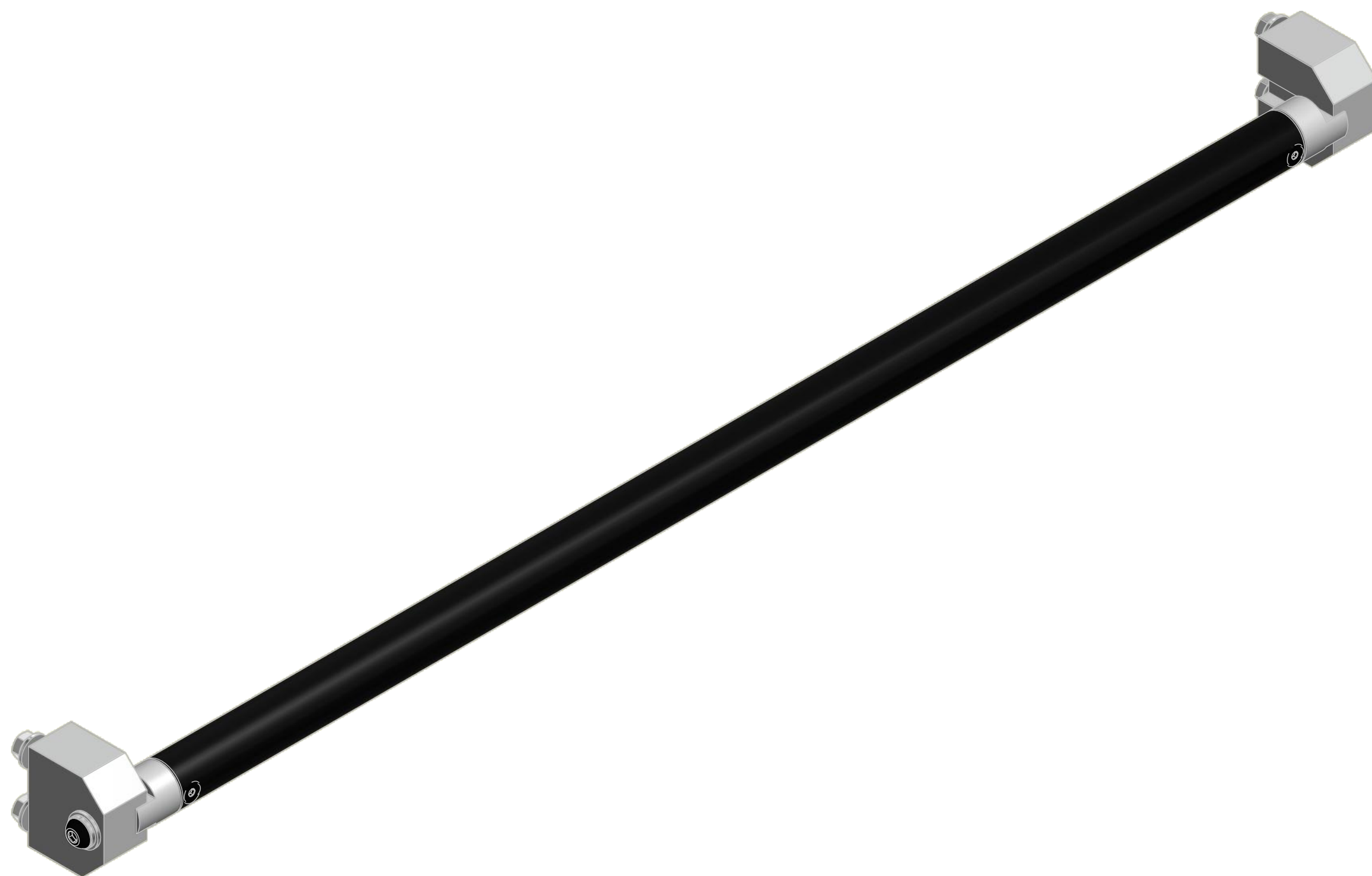
REV. 1/14

<u>INDEX</u>				
<u>NUMBER</u>	<u>QTY.</u>	<u>PART NUMBER</u>	<u>DESCRIPTION</u>	<u>UOM</u>
1	1	153-2944	TORSION SPRING - RH	EA
2	2	153-2051	SET SCREW - 1/4-20 X 1/2	EA
3	1	153-2945	TORSION SPRING - RH	EA
4	2	154-1220	INDUCTIVE PROXIMITY SENSOR (TL-Q5MC1)	EA
5	4	153-2216A	MS PHILLIPS - 4-40 X 7/8	EA
6	1	164-6129	LDS ARM SHAFT	EA
7	1	164-6127	LDS ARM	EA
8	2	153-2201	SET SCREW - 10-32 X 3/8	EA
9	1	164-7001	LDS COUNTER WHEEL	EA
10	2	153-9803	FLANGED BUSHING (3/8 X 1/2 X 1/4)	EA
11	2	154-9617	FLANGED BUSHING 3_8 x 1_2 x 3_8	EA
12	1	164-6130	LDS WHEEL SHAFT	EA
13	1	153-2009	NYLON FLAT WASHER (3/8 - 0.060)	EA
14	1	164-6131	FLEX LDS DISK	EA
15	2	153-2924	MS PHILLIPS - 1/4-20 X 3/4 TRUSS HEAD	EA
16	1	164-6128	LDS ARM MOUNT	EA

FRONT HANDLE ASSEMBLY - FLEX

REV. 1/14

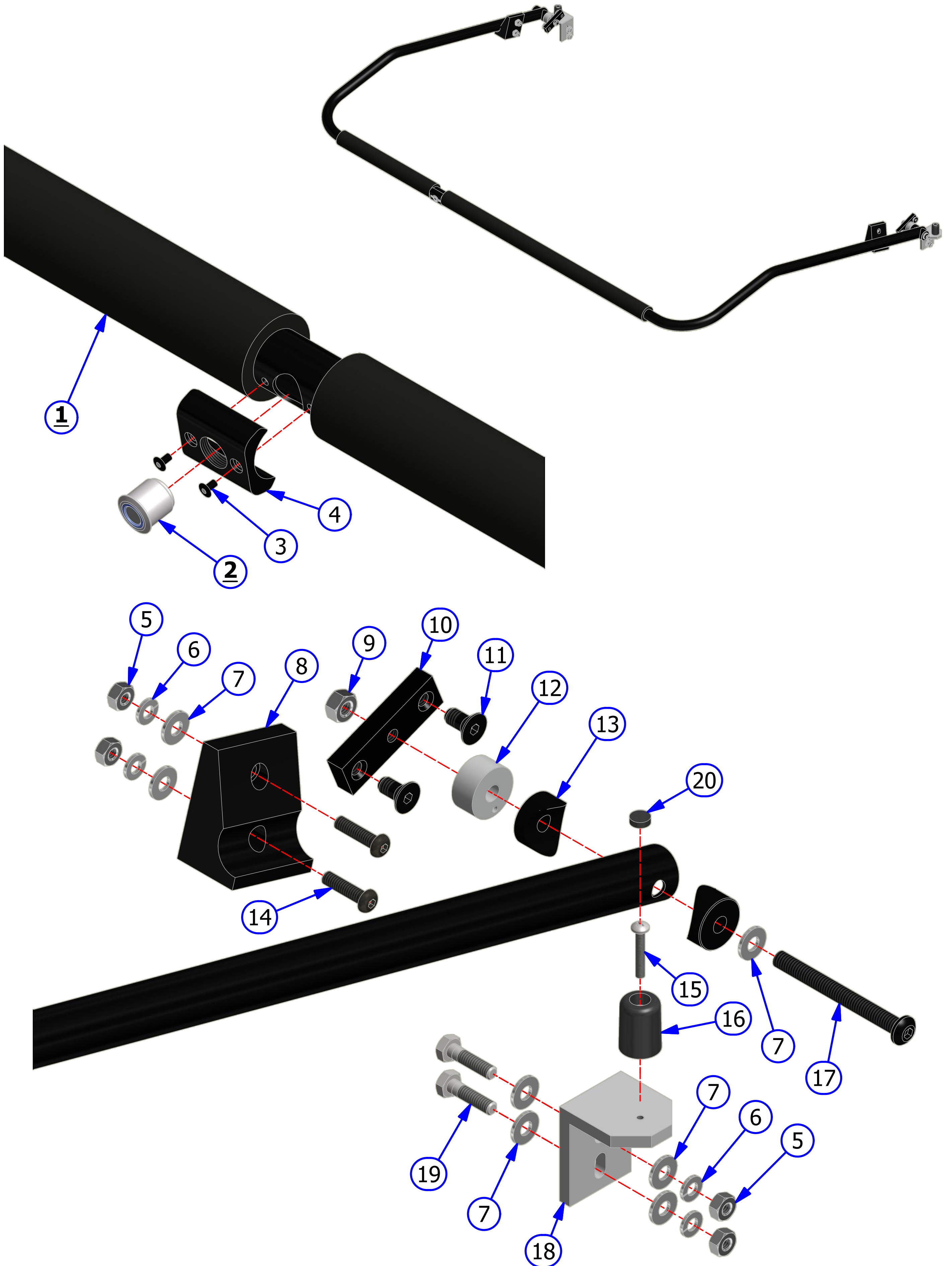
<u>INDEX</u>				
<u>NUMBER</u>	<u>QTY.</u>	<u>PART NUMBER</u>	<u>DESCRIPTION</u>	<u>UOM</u>
1	4	153-2052	HHCS - 1/4-20 X 7/8	EA
2	4	153-2014	1/4 LOCKWASHER	EA
3	4	153-2004	1/4 FLATWASHER	EA
4	1	164-6073	FRONT HANDLE	EA
5	4	153-2996	SCREW - FHCS 10-24 X 3/4 BLACK OXIDE	EA
6	2	164-6072	FRONT HANDLE PLUG	EA
7	2	164-6087	FRONT HANDLE BRACKET	EA
8	2	153-2005	5/16 FLATWASHER	EA
9	2	153-2015	5/16 LOCKWASHER	EA
10	2	164-2045	BHSCS 5/16-18 X 1-1/4	EA



HANDLE ASSEMBLY - FLEX

REV. 1/14

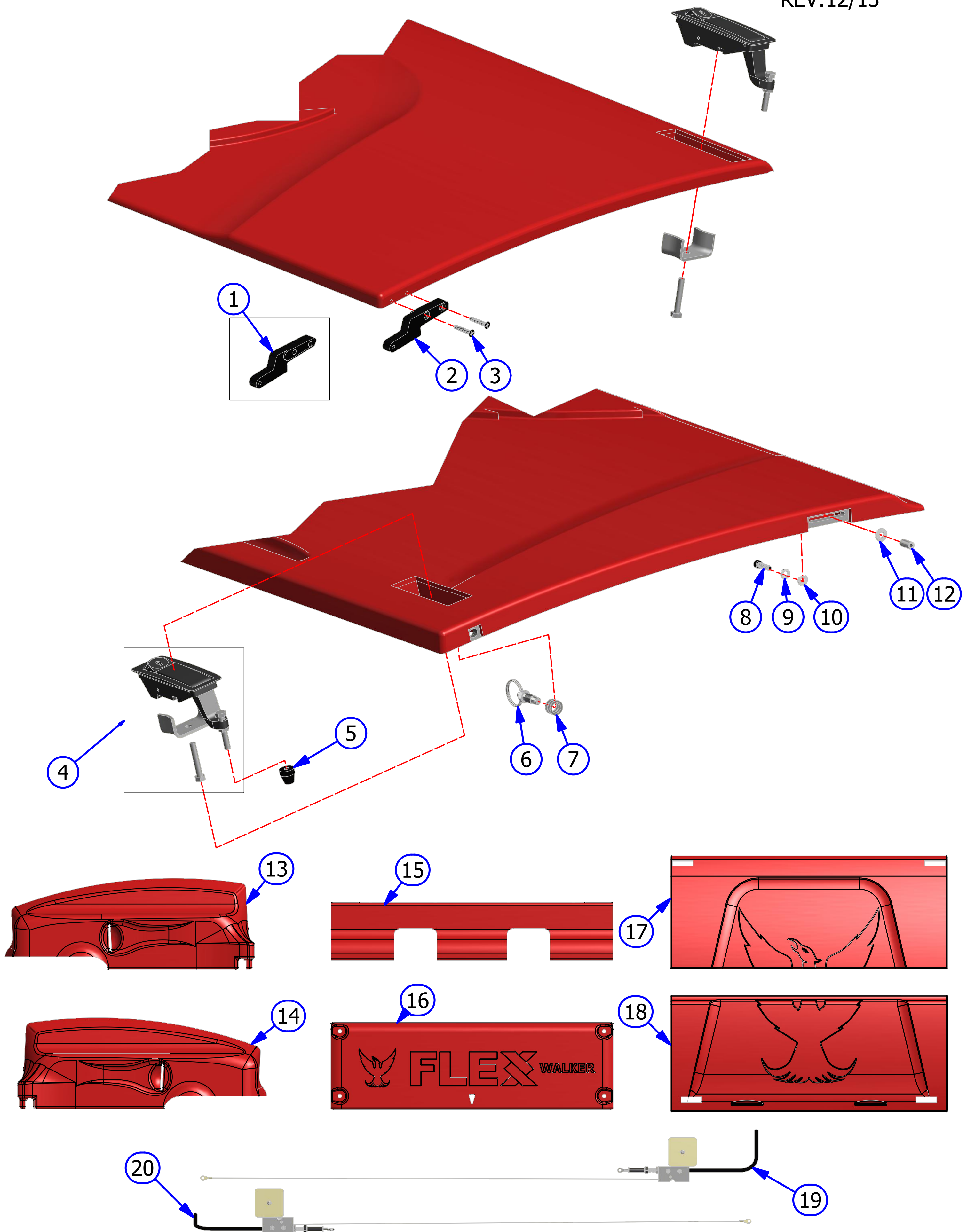
<u>INDEX</u> <u>NUMBER</u>	<u>QTY.</u>	<u>PART</u> <u>NUMBER</u>	<u>DESCRIPTION</u>	<u>UOM</u>
1	1	164-8012	HANDLE ASSEMBLY (Complete)	EA
2	1	164-8013	HANDLE BUTTON REPLACEMENT ASSEMBLY (w/wires)	EA
3	2	164-2013	RIVET-DOMED-BLACK-1/8 DIA	EA
4	1	164-6083	BUTTON COLLAR	EA
5	8	153-2023	1/4-20 HEX NUT	EA
6	8	153-2014	1/4 LOCKWASHER	EA
7	14	153-2004	1/4 FLATWASHER	EA
8	2	164-6057	HANDLE CATCH	EA
9	2	153-2116	NYLOCK - 5/16-18	EA
10	2	164-6084	FLEX HANDLE MOUNT	EA
11	4	153-2802	FHSS - 5/16-18 X 5/8	EA
12	2	164-6058	FLEX HANDLE SPACER	EA
13	4	164-2001	UNTHREADED CURVED SPACER BLACK	EA
14	4	153-2053A	BHSS - 1/4-20 X 1	EA
15	2	153-2089	MS PHILLIPS - 8-32 X 1	EA
16	2	164-2011	RUBBER BUMPER-3/4 DIA X 1 HIGH	EA
17	2	164-2028	BHSCS 5/13-18 X 3 FULL THREAD	EA
18	2	164-6081	FLEX HANDLE BUMPER MT	EA
19	4	153-2053	HHCS - 1/4-20 X 1	EA
20	2	164-6946	POLYURETHANE BUMPER PLUG	IN



LID AND COVER ASSEMBLY - FLEX WALKER

REV. 1/14

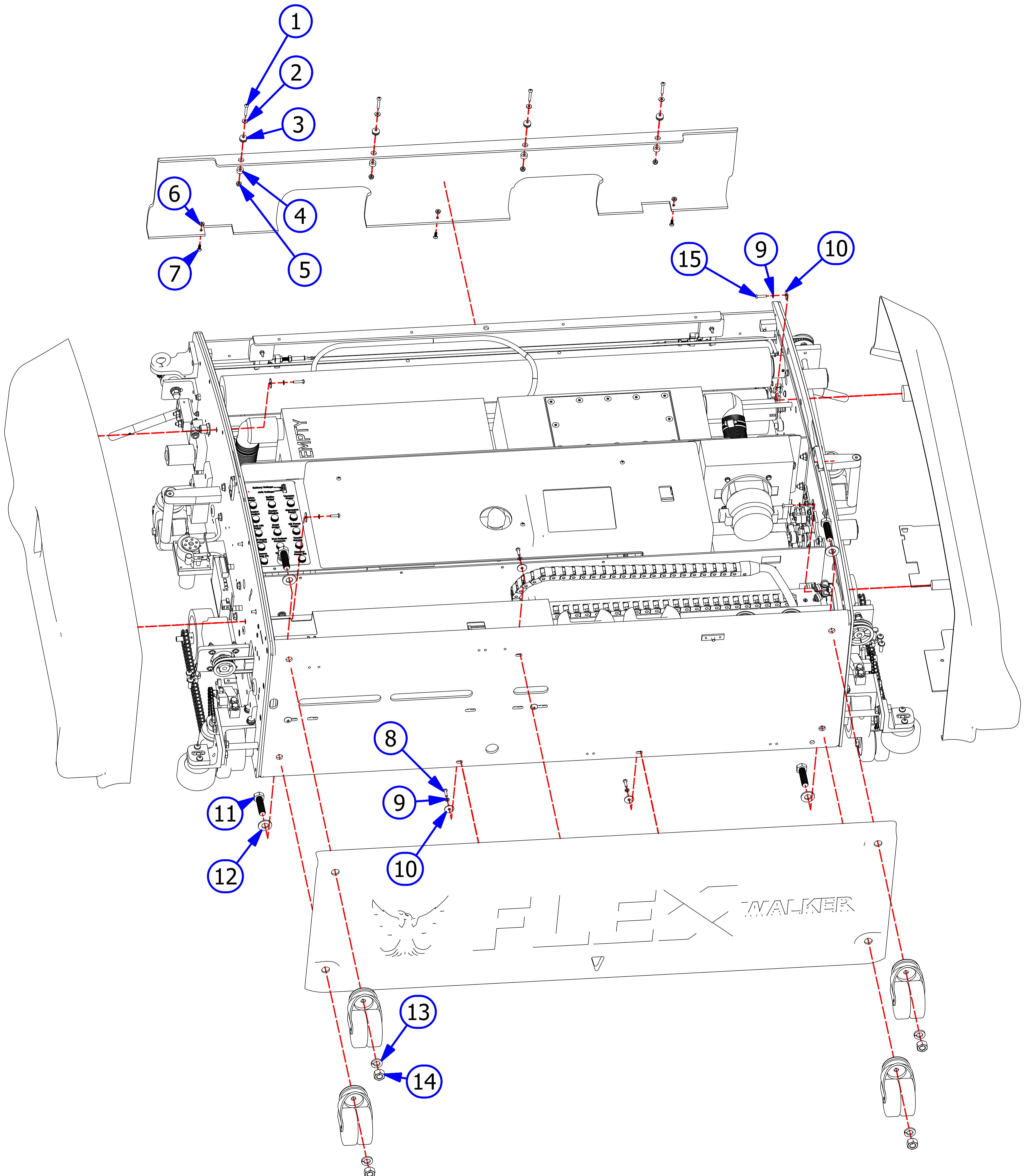
<u>INDEX</u> <u>NUMBER</u>	<u>QTY.</u>	<u>PART</u> <u>NUMBER</u>	<u>DESCRIPTION</u>	<u>UOM</u>
1	1	164-6101	HINGE LID PIVOT ARM (RT)	EA
2	1	164-6100	HINGE LID PIVOT ARM (LT)	EA
3	4	164-2022	SCREW 6-32 X 3/4 18-8SS PHIL FHMS BLK OX	EA
4	2	153-2232L	LID LATCH - FLUSH MOUNT WITH LOCK	EA
5	2	164-6164	LID LATCH BUMPER	EA
6	2	164-2002	DETENT-SPRING PLUNGER-3/8-16 THREAD	EA
7	6	164-2041	SHIM FOR SCREW SHOULDER .032 THICK	EA
8	2	153-2986	SCREW 8-32 X 5/8 SHCS BLACK OXIDE	EA
9	2	153-2013	#10 LOCKWASHER	EA
10	2	164-2043	WASHER-ANTI ROTATING D SHAPED # 8	EA
11	2	153-2002	#8 FLATWASHER	EA
12	2	164-2027	STANDOFF FEMALE THREADED 8-32 X 1/2	EA
13	1	164-6722	FLEX WALKER LT SIDE GUARD	EA
14	1	164-6721	FLEX WALKER RT SIDE GUARD	EA
15	1	164-6725	FRONT BUMPER - WHITE	EA
		164-6725-152	FRONT BUMPER - BLUE	EA
		164-6725-285	FRONT BUMPER - BLACK	EA
		164-6725-291	FRONT BUMPER - RED	EA
16	1	164-8049	FLEX BACK PANEL - WHITE	EA
	1	64-8049-152	FLEX BACK PANEL - BLUE	EA
	1	64-8049-285	FLEX BACK PANEL - BLACK	EA
	1	64-8049-291	FLEX BACK PANEL - RED	EA
17	1	164-8031F	CLEANER COMPARTMENT LID - RED	EA
	1	164-8033F	CLEANER COMPARTMENT LID - BLACK	EA
	1	164-8035F	CLEANER COMPARTMENT LID - WHITE	EA
	1	164-8037F	CLEANER COMPARTMENT LID - BLUE	EA
18	1	164-8031	SLIDING LID ASSEMBLY - RED	EA
	1	164-8033	SLIDING LID ASSEMBLY - BLACK	EA
	1	164-8035	SLIDING LID ASSEMBLY - WHITE	EA
	1	164-8037	SLIDING LID ASSEMBLY - BLUE	EA
19	1	164-8039	LEFT CABLE REEL ASSEMBLY	EA
20	1	164-8040	RIGHT CABLE REEL ASSEMBLY	EA



PANEL EXPLOSION - FLEX WALKER

REV. 6/14

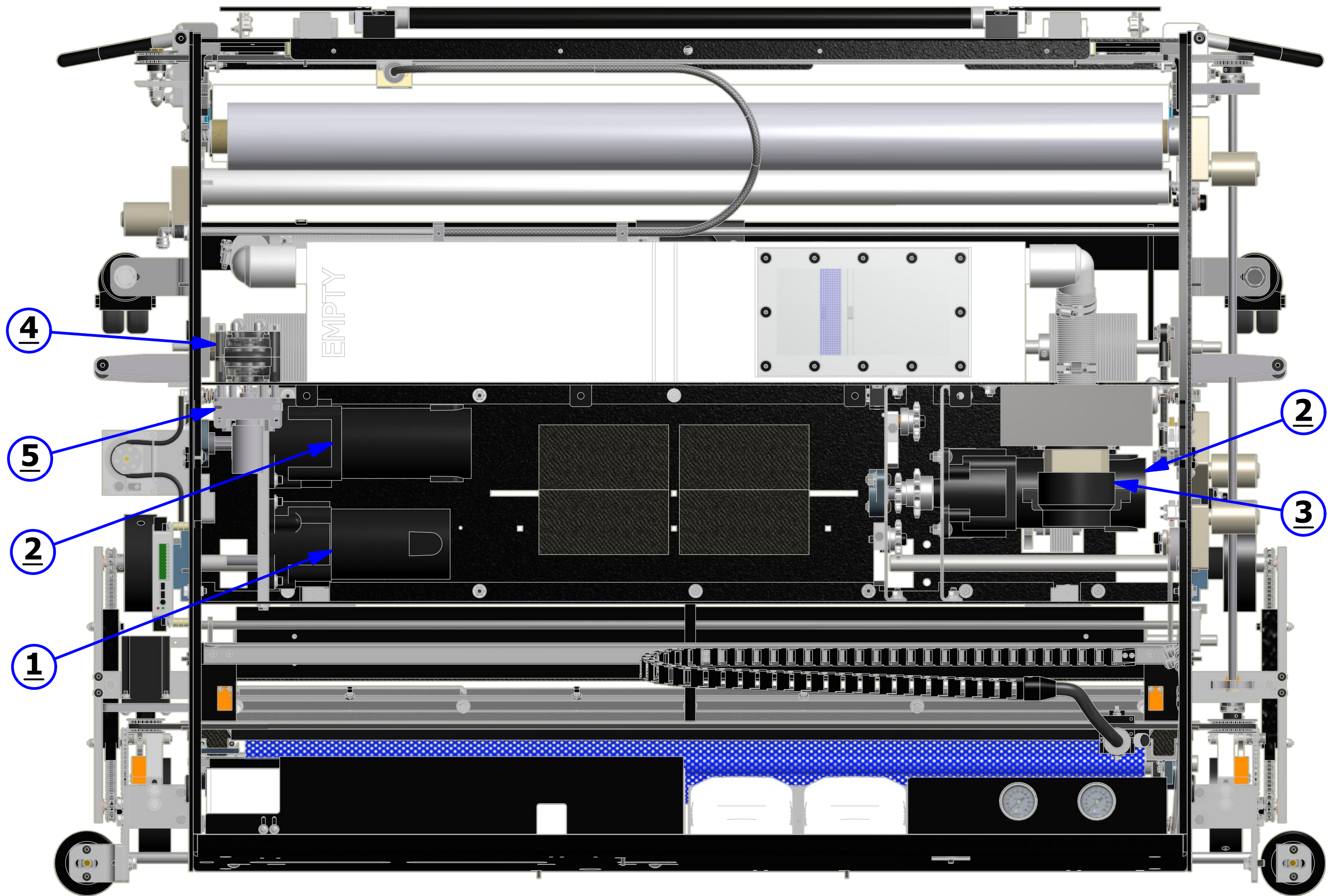
<u>INDEX</u> <u>NUMBER</u>	<u>QTY.</u>	<u>PART</u> <u>NUMBER</u>	<u>DESCRIPTION</u>	<u>UOM</u>
1	4	153-2089	MS PHILLIPS - 8-32 X 1	EA
2	4	153-2002	#8 FLATWASHER	EA
3	4	164-0019	GROMMET 3/16 ID X 9/16 OD	EA
4	4	164-2038	RUBBER BUMPER SBR	EA
5	4	153-2019	LOCKNUT - 8-32 (NYLOK)	EA
6	3	164-2051	THIN HEX LOCKNUT - 8-32	EA
7	3	153-2817	FHMS-8-32 X 1/2	EA
8	3	153-2086	MS PHILLIPS - 8-32 X 5/8	EA
9	11	153-2013	#10 LOCKWASHER	EA
10	11	153-2953	FENDER WASHER - #8	EA
11	4	164-2039	HHCS 1/2-13 X 1 3/4 GRADE 5	EA
12	4	153-2007	1/2 FLATWASHER	EA
13	4	153-2017	1/2 LOCKWASHER	EA
14	4	153-2026	HEX NUT - 1/2-13	EA
15	4	153-2087	MS PHILLIPS - 8-32 X 3/4	EA



TOP VIEW - FLEX WALKER

REV. 1/18

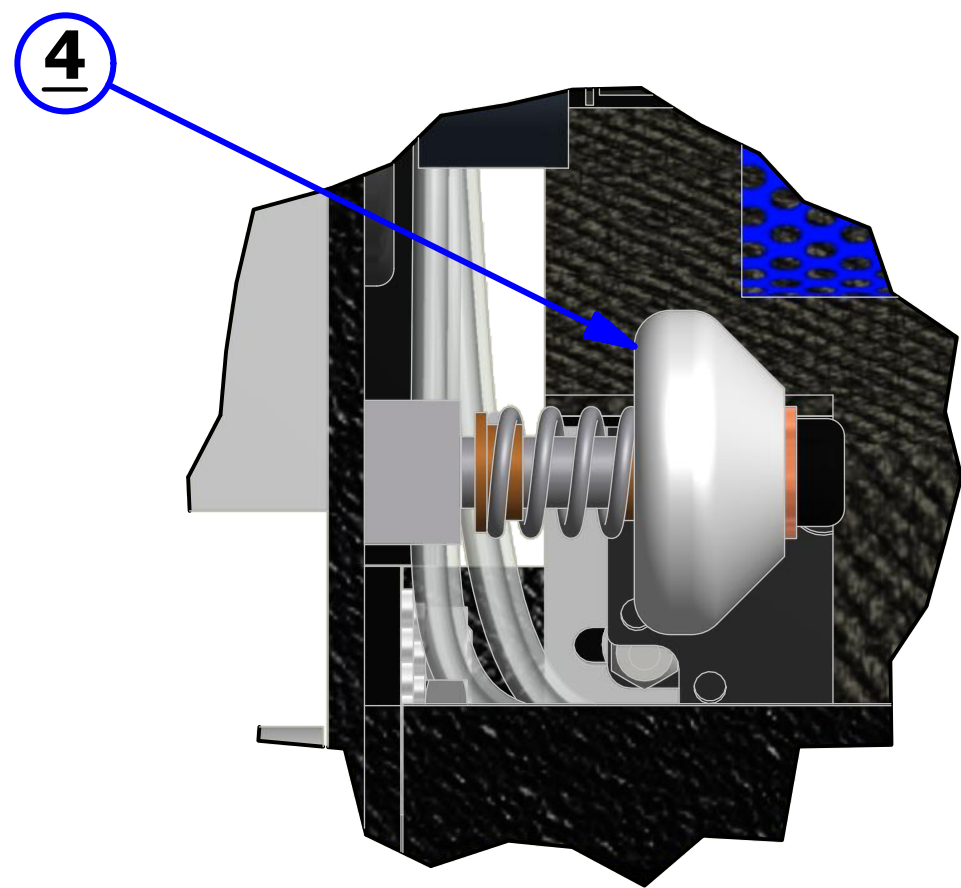
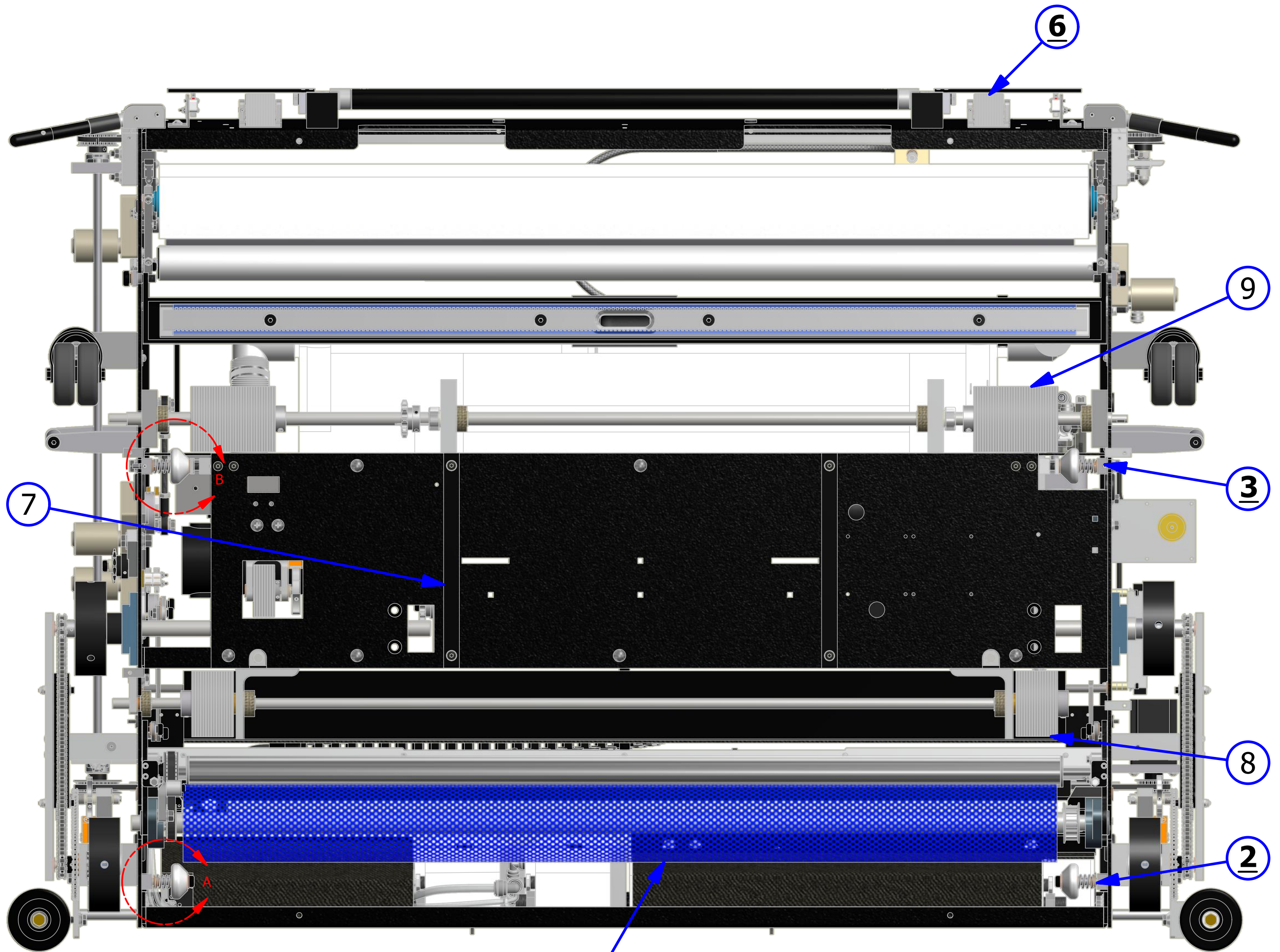
<u>INDEX NUMBER</u>	<u>QTY.</u>	<u>PART NUMBER</u>	<u>DESCRIPTION</u>	<u>UOM</u>
1	1	158-8414	BUFFER MOTOR - 24VDC - 500RPM - STANDARD	EA
	1	158-1406B	BUFFER MOTOR BRUSHES (PAIR)	PR
	1	164-9016	BUFFER BELT	EA
	1	158-9401	PULLEY (14 TOOTH 1/2" BORE)	EA
1	1	164-8014	BUFFER MOTOR - 24VDC - 700RPM - VARIABLE BUFFER	EA
	1	158-1405B	BUFFER MOTOR BRUSHES (PAIR)	PR
	1	164-9017	BUFFER MOTOR BELT	EA
	1	164-9014A	BUFFER MOTOR PULLEY ASSEMBLY	EA
2	1	164-8217M	RIGHT MAIN DRIVE MOTOR 24V	EA
2	1	158-8602	LEFT DRIVE MOTOR 24V	EA
	1	158-1405B	DRIVE MOTOR BRUSHES (PAIR)	PR
	1	154-9601	CHAIN (FOR 153-9002, INSIDE AND OUTSIDE SPROCKET)	EA
	1	153-9444	CHAIN (FOR 153-9003, MIDDLE SPROCKET)	EA
	1	153-9047	MASTER LINK #40	EA
	1	153-9048	OFFSET LINK #40	EA
	1	153-9002	SPROCKET - 40B13 (5/8 IN) INSIDE AND OUTSIDE SPROCKET	EA
	1	153-9003	SPROCKET - 40B10 (5/8 IN) INSIDE AND OUTSIDE SPROCKET	EA
	3	1	158-8407	VACUUM MOTOR - 24VDC
4	1	158-8404D	CLEANER PUMP ASSEMBLY	EA
	1	154-0861B	NORPRENE TUBING FOR CLEANER PUMP ASSEMBLY	EA
5	1	158-8404	CLEANER PUMP MOTOR - 24VDC	EA



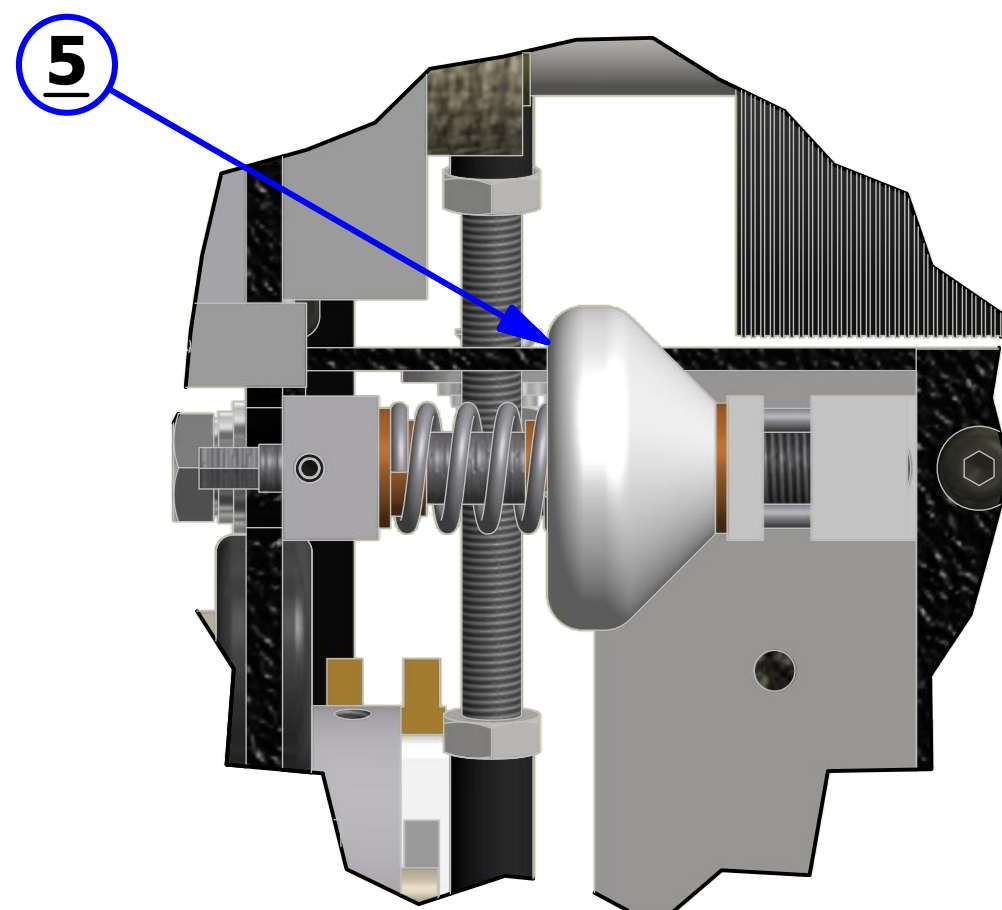
BOTTOM - FLEX WALKER

REV. 1/14

<u>INDEX</u> <u>NUMBER</u>	<u>QTY.</u>	<u>PART</u> <u>NUMBER</u>	<u>DESCRIPTION</u>	<u>UOM</u>
1	1	164-8001	BUFFER BRUSH ASSEMBLY	EA
	1	164-9006	BUFFER BELT ASSY. NON-VARIABLE	EA
	1	154-9615	BUFFER BELT ASSEMBLY - VARIABLE BUFF	EA
2	2	158-8642	REAR GUIDE WHEEL ASSEMBLY - COMPLETE	EA
2.1	2	153-2407	SHOULDER BOLT 3/8 X 1 3/4	EA
2.2	2	153-2978	SPRING - COMPRESSION FOR GUIDE WHEEL	EA
2.3	2	158-8636	GUIDE WHEEL ASSEMBLY - REAR	EA
3	2	158-8643	FRONT GUIDE WHEEL ASSEMBLY - COMPLETE	EA
3.1	2	153-9803	FLANGED BUSHING - 3/8 X 1/2 X 3/4	EA
3.2	2	153-2978	SPRING - COMPRESSION FOR GUIDE WHEEL	EA
3.3	2	158-8637	GUIDE WHEEL ASSEMBLY - REAR	EA
4	2	158-8636	GUIDE WHEEL ASSEMBLY - REAR (WHEEL ONLY)	EA
5	2	158-8637	GUIDE WHEEL ASSEMBLY - FRONT (WHEEL ONLY)	EA
6	2	153-7005R	MOMENTARY WHEEL ASSEMBLY (WHEEL ONLY)	EA
	2	153-6006	MOMENTARY WHEEL SHAFT	EA
	2	153-6029	MOMENTARY WHEEL HOUSING ASSEMBLY	EA
7	2	153-9803	SKID GUIDE	EA
8	2	153-7002AA	LDS/DRIVE WHEEL	EA
9	2	153-7013	DRIVE WHEEL	EA



DETAIL A

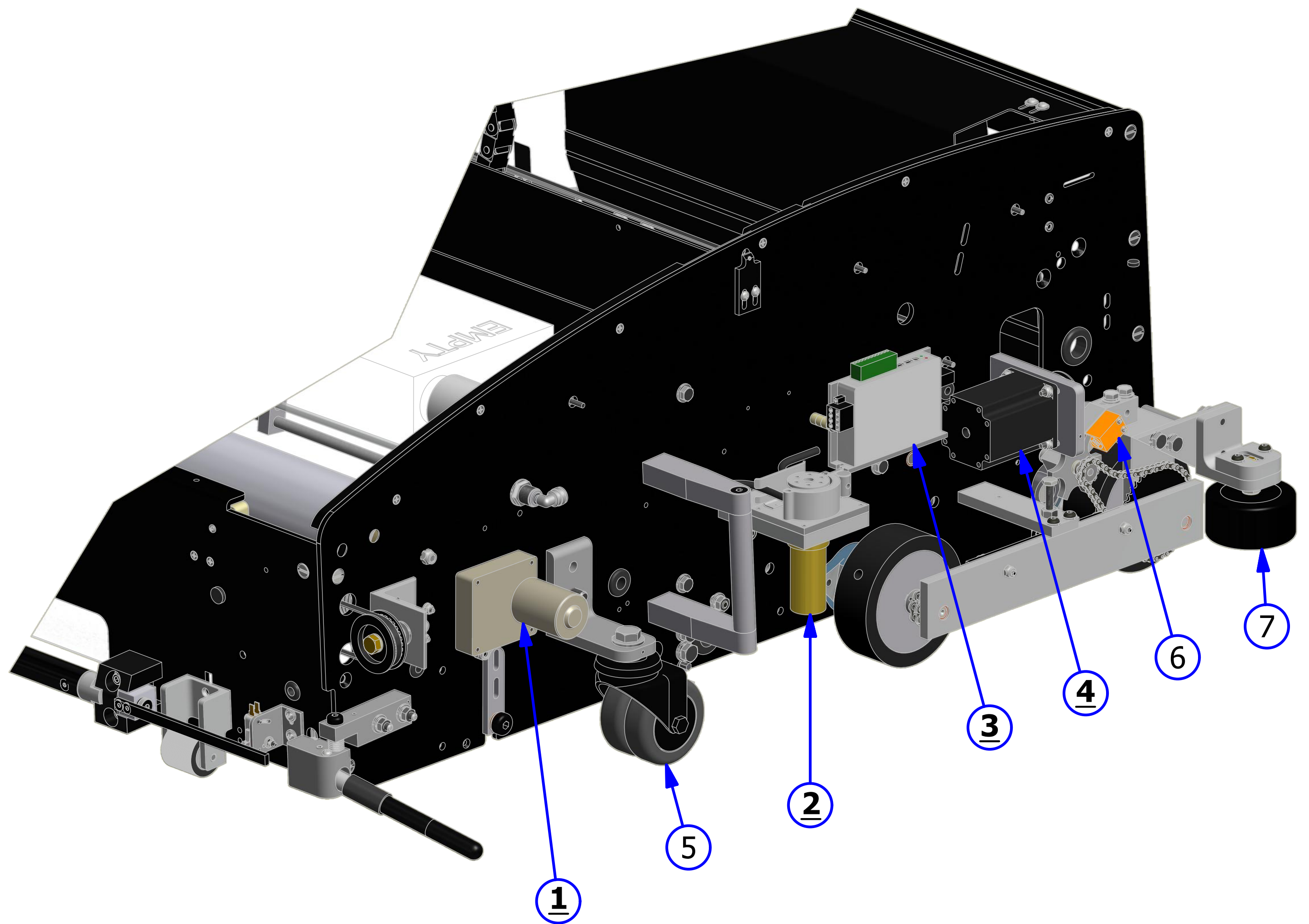


DETAIL B

LEFT SIDE - FLEX WALKER

REV. 1/14

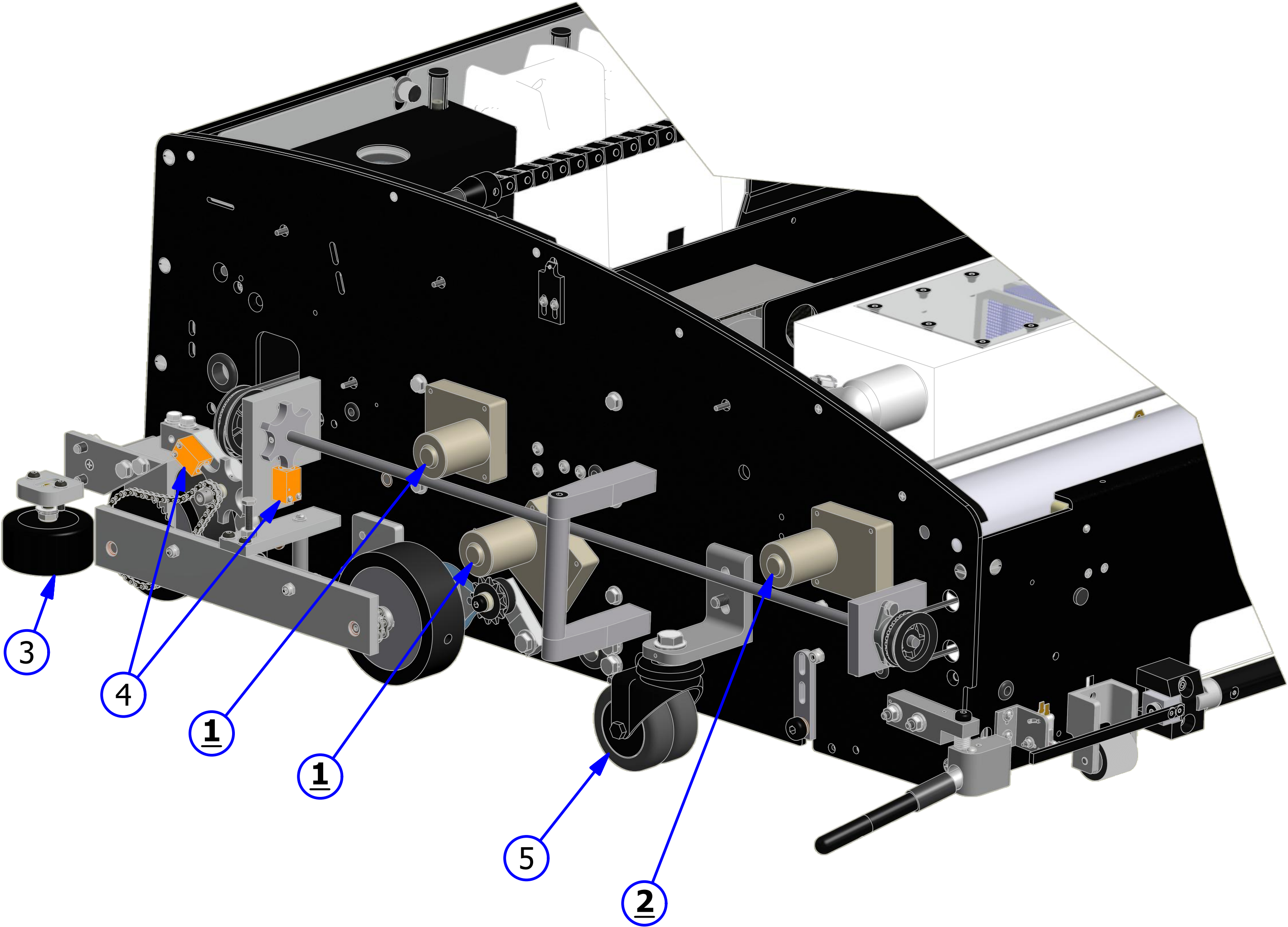
<u>INDEX</u> <u>NUMBER</u>	<u>QTY.</u>	<u>PART</u> <u>NUMBER</u>	<u>DESCRIPTION</u>	<u>UOM</u>
1	2	158-8403	ASSEMBLY - DUSTER MOTOR 24VDC	EA
2	1	164-8027	CLEANER PUMP ASSEMBLY - CONCENTRATE (UPGRADE ONLY)	EA
		164-8025	CLEANER TUBING #14 FOR SUPER CONCENTRATE	EA
		164-8026	CLEANER TUBING #16 FOR REG CONCENTRATE	EA
3	1	158-1605	SPEED CONTROL - BERG	EA
4	1	164-8032	HEAD DRIVE MOTOR ASSEMBLY	EA
5	6	153-0001BK	CASTER ASSEMBLY (3 INCH DUAL WHEEL)- BLACK	EA
6	1	154-1220	PROXIMITY SENSOR	EA
7	2	153-7203	BUMPER	EA



RIGHT SIDE - FLEX WALKER

REV. 1/14

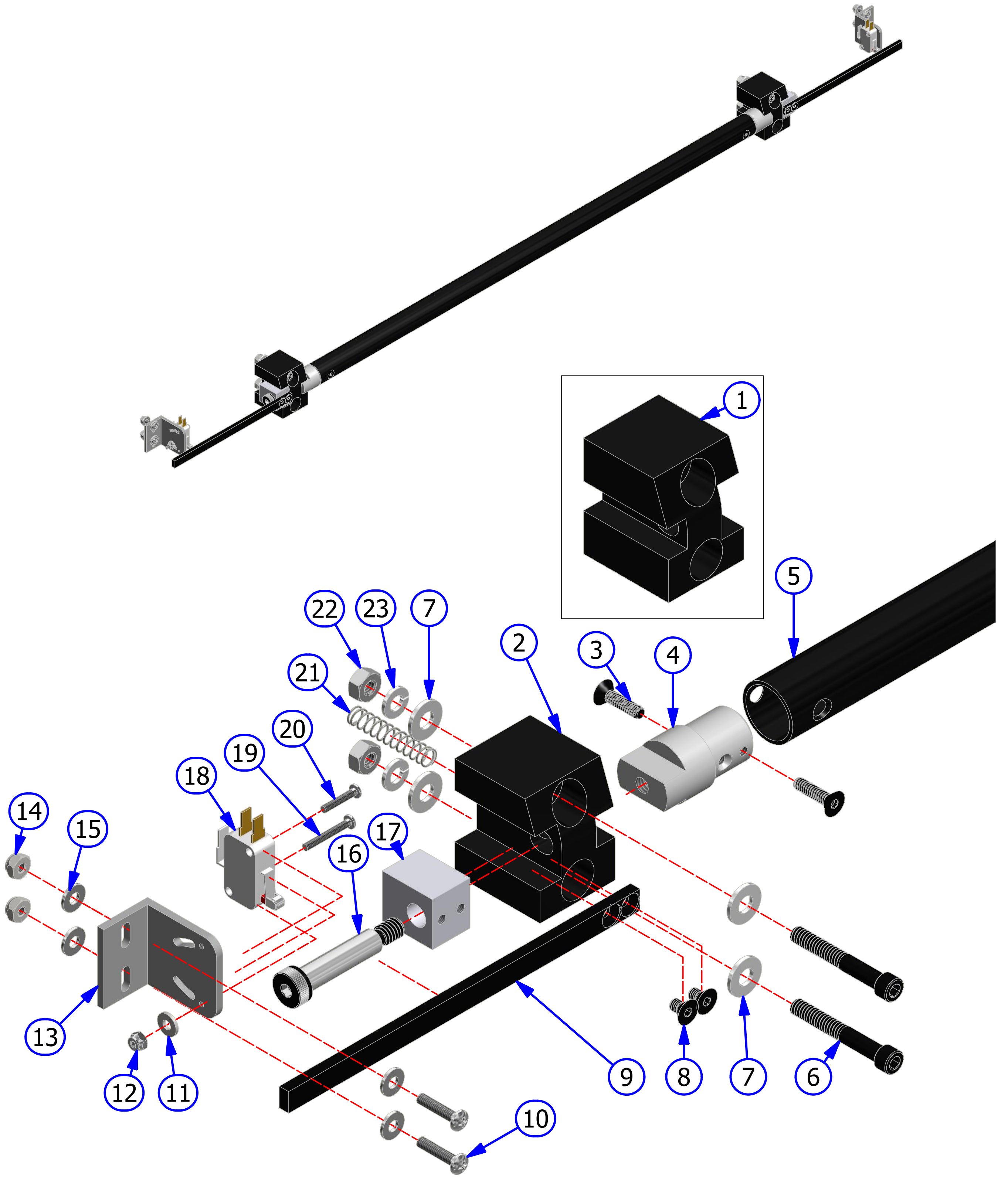
<u>INDEX</u> <u>NUMBER</u>	<u>QTY.</u>	<u>PART</u> <u>NUMBER</u>	<u>DESCRIPTION</u>	<u>UOM</u>
1	2	158-8402	SQUEEGEE/BRUSH LIFT MOTOR - 24VDC	EA
2	1	158-8403	DUSTER MOTOR ASSEMBLY - 24VDC	EA
3	1	153-7203	BUMPER WHEEL	EA
4	2	154-1220	PROXIMITY SENSOR	EA
5	6	153-0001BK	CASTER ASSEMBLY (3 INCH DUAL WHEEL)- BLACK	EA



FRONT HANDLE ASSEMBLY - FLEX WALKER

REV. 1/14

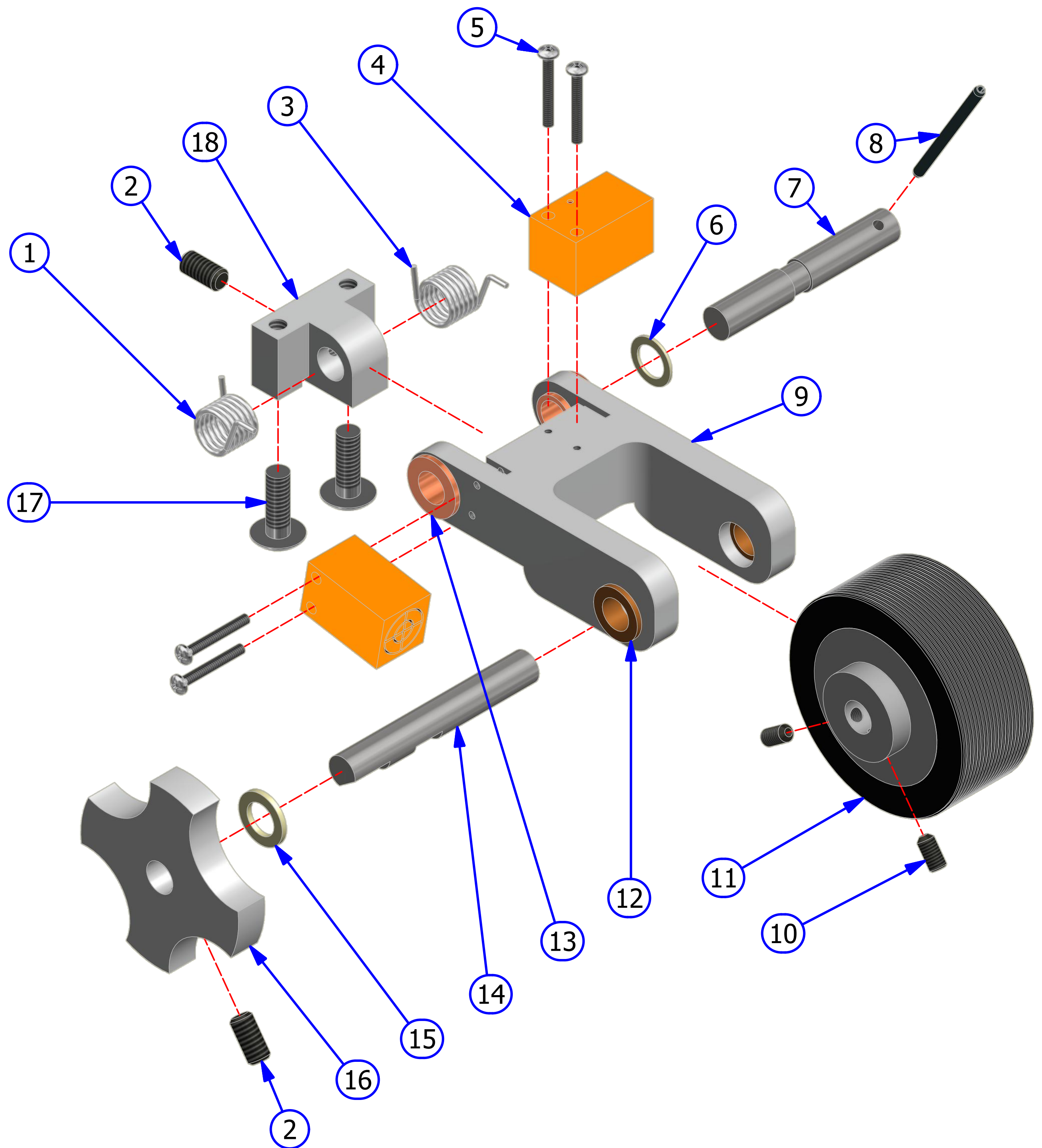
<u>INDEX</u>				
<u>NUMBER</u>	<u>QTY.</u>	<u>PART NUMBER</u>	<u>DESCRIPTION</u>	<u>UOM</u>
1	1	164-6069	FLEX FRONT HANDLE BLOCK (LT)	EA
2	1	164-6068	FLEX FRONT HANDLE BLOCK (RT)	EA
3	4	153-2996	SCREW - FHCS 10-24 X 3/4 BLACK OXIDE	EA
4	2	164-6072	FRONT HANDLE PLUG	EA
5	1	164-6073	FRONT HANDLE	EA
6	4	164-2009	SHCS-1/4-20	EA
7	8	153-2004	1/4 FLATWASHER	EA
8	4	164-2017	FHSCS-10-32 X 5/16	EA
9	2	164-6071	BUMPER ARM	EA
10	4	153-2087	MS PHILLIPS - 8-32 X 3/4	EA
11	2	153-2001	#6 FLATWASHER	EA
12	2	153-2231	LOCKNUT - 4-40	EA
13	2	164-6032	FLEX BUMPER SWITCH BRACKET	EA
14	4	153-2019	LOCKNUT - 8-32 (NYLOK)	EA
15	8	153-2002	#8 FLATWASHER	EA
16	2	164-2008	SHOULDER BOLT 3/8 X 1-1/2 5/16-18	EA
17	2	164-6070	BUMPER BAR BLOCK	EA
18	2	153-1203	MICROSWITCH W/ROLLER	EA
19	2	153-2216A	MS PHILLIPS - 4-40 X 7/8	EA
20	2	153-2216	MS PHILLIPS - 4-40 X 5/8	EA
21	2	164-2010	SPRING-0.300 OD X 1.50	EA
22	4	153-2023	1/4-20 HEX NUT	EA
23	4	153-2014	1/4 LOCKWASHER	EA



LDS ASSEMBLY - FLEX WALKER

REV. 1/14

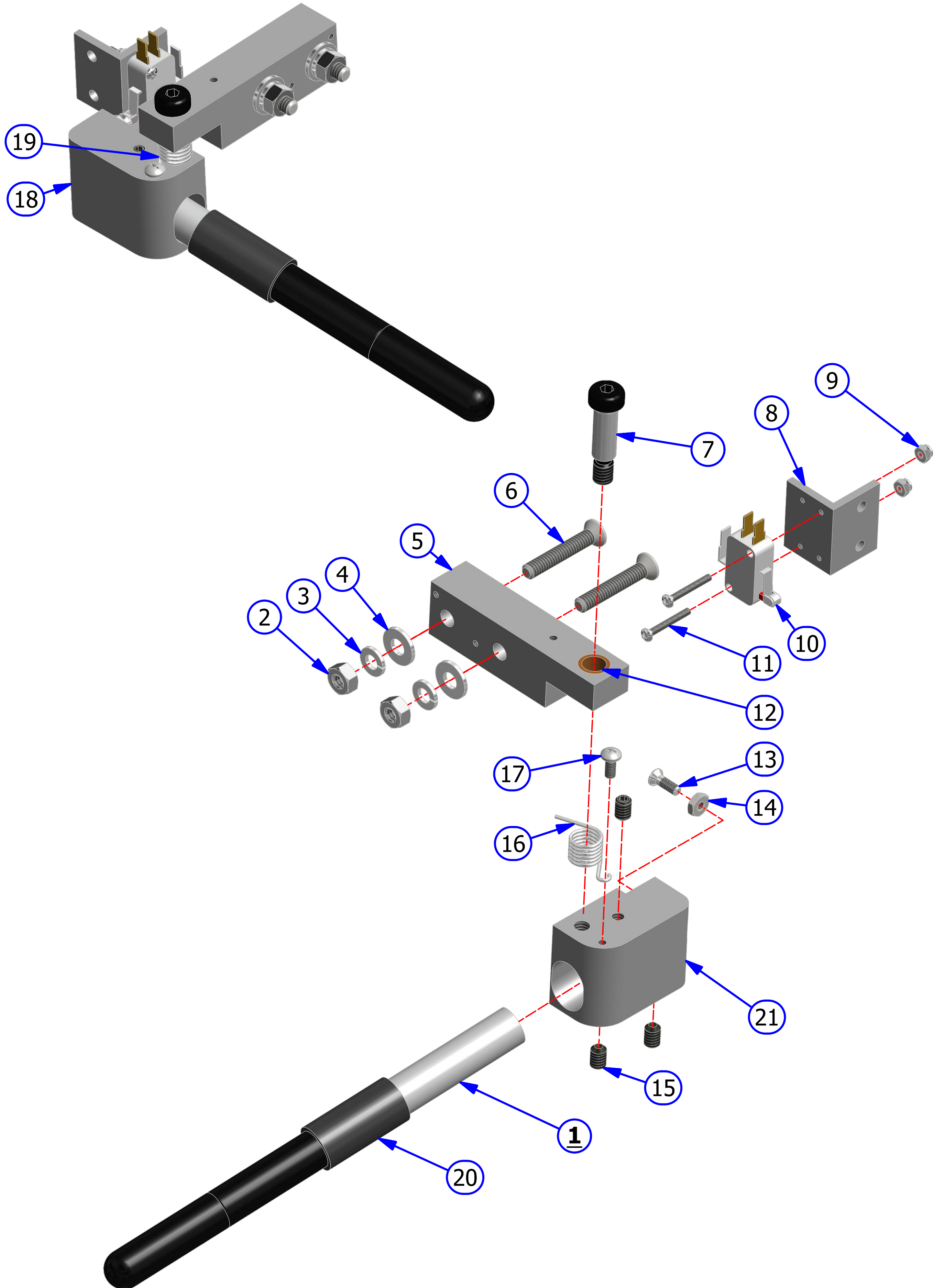
<u>INDEX</u> <u>NUMBER</u>	<u>QTY.</u>	<u>PART</u> <u>NUMBER</u>	<u>DESCRIPTION</u>	<u>UOM</u>
1	1	153-2944	TORSION SPRING - RH	EA
2	2	153-2051	SET SCREW - 1/4-20 X 1/2	EA
3	1	153-2945	TORSION SPRING - LH	EA
4	2	154-1220	INDUCTIVE PROXIMITY SENSOR	EA
5	4	153-2216A	MS PHILLIPS - 4-40 X 7/8	EA
6	1	153-2531	NYLON FLAT WASHER - 3/8 (0.030)	EA
7	1	164-6129	LDS ARM SHAFT	EA
8	1	153-2037	ROLL PIN - 1/8 X 1-3/4	EA
9	1	164-6127	LDS ARM	EA
10	2	153-2201	SET SCREW - 10-32 X 3/8	EA
11	1	164-7001	LDS COUNTER WHEEL	EA
12	2	153-9803	FLANGED BUSHING (3/8 X 1/2 X 1/4)	EA
13	2	154-9617	FLANGED BUSHING (3/8 x 1/2 x 3/8)	EA
14	1	164-6130	LDS WHEEL SHAFT	EA
15	1	153-2009	NYLON FLAT WASHER (3/8 - 0.060)	EA
16	1	164-6131	LDS DISK - FLEX	EA
17	2	153-2924	MS PHILLIPS - 1/4-20 X 3/4 TRUSS HEAD	EA
18	1	164-6128	LDS ARM MOUNT	EA



WHISKER ASSEMBLY

REV. 4/14

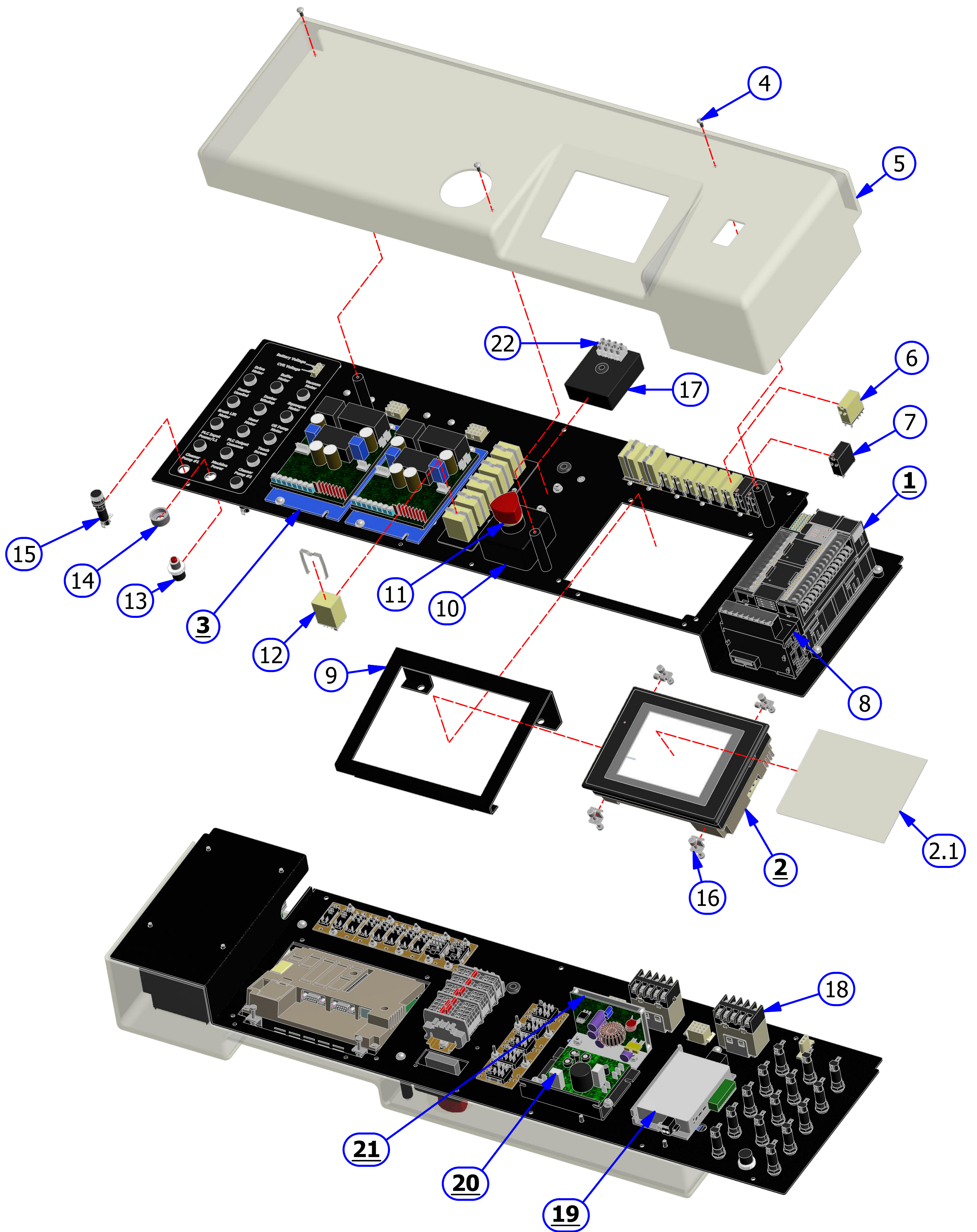
<u>INDEX</u> <u>NUMBER</u>	<u>QTY.</u>	<u>PART</u> <u>NUMBER</u>	<u>DESCRIPTION</u>	<u>UOM</u>
<u>1</u>	1	164-8660	FLEX WHISKER TUBE ASSEMBLY	EA
2	4	153-2023	1/4-20 HEX NUT	EA
3	4	153-2014	1/4 LOCKWASHER	EA
4	4	153-2004	1/4 FLATWASHER	EA
5	2	158-8611	WHISKER BEARING BLOCK ASSEMBLY WITH BUSHING	EA
6	4	153-2227A	FHMS - 1/4-20 X 1-1/2	EA
7	2	153-2739	SHOULDER BOLT 3/8 IN DIA 1" LONG	EA
8	2	158-6641	WHISKER SWITCH MOUNT PLATE	EA
9	4	153-2231	LOCKNUT - 4-40	EA
10	2	153-1203	MICROSWITCH W/ROLLER	EA
11	4	153-2216A	MS PHILLIPS - 4-40 X 7/8	EA
12	2	154-9212	BUSHING ONLY	EA
13	2	153-2817	FLAT HEAD PHILLIPS - 8-32 X 1/2	EA
14	2	153-2414	HEX NUT - 8-32	EA
15	6	153-2051B	SET SCREW - 1/4-20 X 3/8	EA
16	1	153-2944	TORSION SPRING - RIGHT	EA
17	2	153-2086A	MS PHILLIPS - 8-32 X 3/8	EA
18	1	164-6054	FLEX WHISKER BASE - LEFT	EA
19	1	153-2945	TORSION SPRING - LEFT	EA
20	1	153-2941	RUBBER SLEEVE (1 SET LT AND RT)	EA
21	1	164-6055	FLEX WHISKER BASE - RIGHT	EA



PLC PLATE ASSEMBLY

REV. 3/15

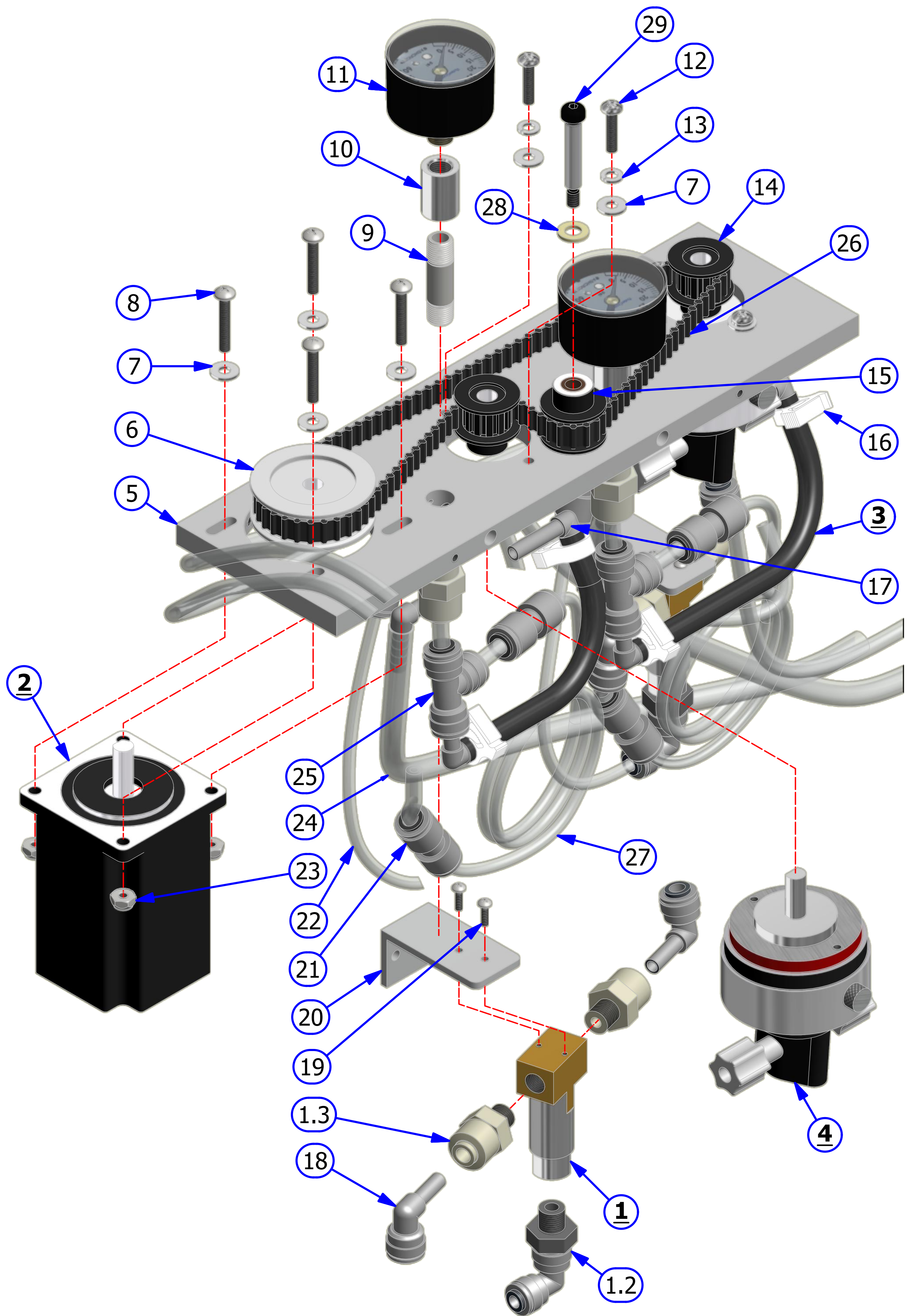
<u>INDEX</u> <u>NUMBER</u>	<u>QTY.</u>	<u>PART</u> <u>NUMBER</u>	<u>DESCRIPTION</u>	<u>UOM</u>
1	1	158-1610P	PLC FOR FLEX - SPECIFY SOFTWARE VERSION	EA
1.1	1	158-1610S	SERIAL CONVERTER FOR FLEX	EA
1.2	1	158-1610D	CABLE TO TOUCHSCREEN - 24IN (NOT SHOWN)	EA
2	1	164-8011	TOUCH SCREEN ASSEMBLY	EA
2.1	1	158-1612	SCREEN PROTECTOR	EA
3	1	164-8010	SPEED CONTROL ASSEMBLY BUFFER/DRIVE	EA
4	7	153-2086A	MS PHILLIPS - 8-32 X 3/8	EA
5	1	164-6062	CLEAR PC PLATE COVER	EA
6	6	158-1458	RELAY - OMRON 24DC DPDT GENERAL PURPOSE	EA
6.1	6	164-1204	RELAY BASE FOR RELAY 158-1458	EA
7	2	158-1460	RELAY SOLID STATE	EA
7.1	2	164-1206	RELAY BASE FOR RELAY 154-1460	EA
8	1	164-1217	ANALOG OUTPUT (Buffer and/or Cleaner Upgrade only)	EA
9	1	164-6730	TOUCH SCREEN MOUNT	EA
10	1	164-6161	E-STOP BOX	EA
11	1	164-1221	E-STOP SWITCH ASSEMBLY	EA
12	6	158-1462	24 V RELAY DPDT 10A W/DIODE	EA
12.1	6	164-1203	RELAY BASE FOR RELAY 158-1462	EA
13	1	153-1408	PUSH BUTTON (RED = NORMALLY OPEN)	EA
14	1	153-1209	BUTTON GUARD	EA
15	14	153-1028	PANEL-MOUNT FUSE HOLDER - UL (COMPLETE)	EA
16	4	158-1610TC	TOUCH SCREEN MOUNT CLIP	EA
17	1	158-6666	RESISTANCE ADJUSTMENT BOX - MODIFIED	EA
18	2	158-1465	CONTACTOR 24VDC	EA
19	1	158-1605	STEPPER SPEED CONTROL BOARD	EA
20	1	158-8415	SPEED CONTROL BOARD - CLEANER	EA
21	1	164-8028	CVR ASSEMBLY - VARIABLE BUFF ONLY	EA
21.1	1	158-1433A	CVR ASSEMBLY ALL	EA
22	1	158-1611	MOLEX TERMINAL BLOCK	EA
22.1	1	158-8619W	RESISTANCE WIRE ASSY - 22AWG	EA



OIL VALVE ASSEMBLY

REV. 1/14

<u>INDEX</u> <u>NUMBER</u>	<u>QTY.</u>	<u>PART</u> <u>NUMBER</u>	<u>DESCRIPTION</u>	<u>UOM</u>
1	2	154-8298	OIL CONTROL VALVE (24VDC) WITH EXTENEDED WIRES	EA
1.1	2	154-1209	VALVE-24V DC 3-WAY (1/8" NPT)	EA
1.2	2	154-0613	ELBOW - 1/8 NPT X 3/16 TUBE	EA
1.3	4	154-0224	MALE CONNECTOR - 1/4" TUBE X 1/8 NPT	EA
2	1	158-8632	OIL STEPPER MOTOR ASSEMBLY	EA
3	2	164-8021	FLEX PULSE SUPPRESSION TUBE	EA
4	2	154-1214	FLUID METERING PUMP-0.05 ML/STROKE	EA
5	1	164-6050	DUAL OIL PUMPS - MOTOR BRACKET	EA
6	1	158-9403	PULLEY - 26XL037 X 5/16" BORE	EA
7	8	153-2002	#8 FLATWASHER	EA
8	4	153-2089	MS PHILLIPS - 8-32 X 1	EA
9	2	164-0207	PIPE NIPPLE - THREADED BLK - 1/8 X 1 1/2	EA
10	2	154-0230	IN-LINE COUPLER (1/8 NPT) FLOAT	EA
11	2	158-1613	PRESSURE GAUGE - 60PSI	EA
12	4	153-2087	MS PHILLIPS - 8-32 X 3/4	EA
13	4	153-2013	#10 LOCKWASHER	EA
14	2	154-9208	PULLEY - 12XL - 5/16" BORE W/SET SCREW	EA
15	1	164-8029	OIL PUMP IDLER ASSEMBLY	EA
16	4	164-2046	HOSE CLAMP	EA
17	6	154-0226	ELBOW - TUBE TO HOSE BARB (1/4 X 1/4 ID)	EA
18	4	154-0222	ELBOW - 1/4" STEM X 1/4" TUBING OD	EA
19	4	153-2504	MS PHILLIPS - 4-40 X 3/8	EA
20	2	164-6110	VALVE ANGLE	EA
21	6	154-0248	REDUCING UNION CONNECTOR-1/4" X 3/16"	EA
22	1	154-0202A	PENCIL TUBING STOCK 1/4OD X 1/8ID	IN
23	4	153-2019	LOCKNUT - 8-32 (NYLOK)	EA
24	1	154-0202	PENCIL TUBING STOCK 3/8OD X 1/4ID	IN
25	2	153-0815	UNION TEE (1/4 X 1/4 X 1/4 - QUICK DISC)	EA
26	1	164-9008	TIMING BELT DOUBLE SIDED (220XL038	EA
27	1	154-0202B	PENCIL TUBING STOCK - 3/16 OD X 1/16 ID	IN
28	1	153-2510	NYLON WASHER - 1/4	EA
29	1	153-2803	SHOULDER BOLT - 1/4 X 1-1/4 (10-24)	EA



SUB TANK CARTRIDGE ASSEMBLY

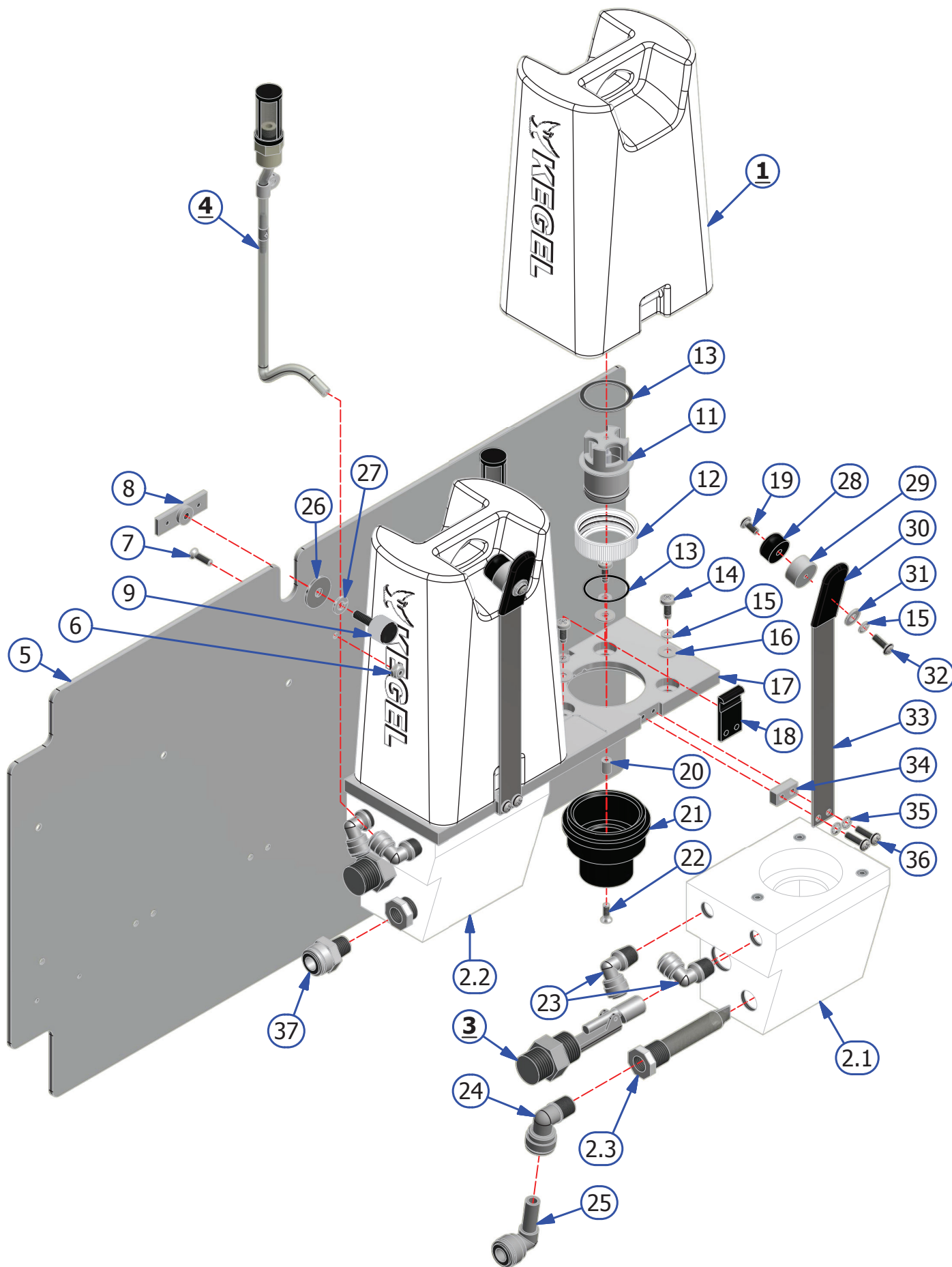
REV. 1/24

<u>INDEX NUMBER</u>	<u>QTY.</u>	<u>PART NUMBER</u>	<u>DESCRIPTION</u>	<u>UOM</u>
1	2	164-8015	FLEX 1.5L CARTRIDGE	EA
	1	164-8015A	CARTRIDGE ONLY (NO PLUNGER ASSEMBLY)	EA
2.1	1	164-6015A	FLEX CONDITIONER SUB TANK A	EA
2.2	1	164-6015B	FLEX CONDITIONER SUB TANK B	EA
2.3	1	154-0212	CONDITIONER TANK FILTER ASSEMBLY	EA
3	2	154-8693	FLOAT SWITCH ASSEMBLY	EA
4	2	164-8007	OIL VENT VALVE ASSEMBLY	EA
5	1	164-6124	OIL PLATE ASSEMBLY	EA
6	2	153-2019	LOCKNUT - 8-32 (NYLOK)	EA
7	2	153-2806	FLAT HEAD PHILLIPS - 8-32 X 5/8	EA
8	1	164-6122	OIL PLATE MOUNT	EA
9	1	164-2016	THUMB SCREW - KNURLED HEAD	EA
11*	2	164-6076	CARTRIDGE VALVE ASSY (sold with complete cartridge)	
12	2	164-0004	FLEX CARTRIDGE CAP 38MM W/ HOLE	EA
13	4	164-6079	1.125 O-RING	EA
14	6	153-2605	MS PHILLIPS - 10-32 X 1/2 (SELF-TAP)	EA
15	6	153-2013	#10 LOCKWASHER	EA
16	6	153-2003	#10 FLATWASHER	EA
17	1	164-6113	CONDITIONER TANK MOUNT	EA
18	4	164-6153	CARTRIDGE RETAINER	EA
19	8	153-2086A	MS PHILLIPS - 8-32 X 3/8	EA
20	2	164-2044	STANDOFF FEMALE THREADED 8-32 X 3/8	EA
21	2	164-6086	SUB TANK PLUG	EA
22	2	153-2817	FLAT HEAD PHILLIPS - 8-32 X 1/2	EA
23	4	154-0223	ELBOW (90 DEGREE) - 1/4 NPT X 1/4" TUBE	EA
24	1	154-0225	ELBOW - 3/8 TUBE OD X 1/4 NPT	EA
25	1	154-0258	ELBOW - 3/8 STEM X 3/8 TUBE	EA
26	1	162-2013	FENDER WASHER 1/4 X 7/8	EA
27	1	153-2014	LOCK WASHER 1/4	EA
28	2	164-2052	RUBBER BUMPER	EA
29	2	164-6167	RUBBER BUMPER STANDOFF	EA
30	2	164-2053	RECTANGLE CAP	EA
31	2	153-2035	BLIND RIVET WASHER - 3/16	EA
32	2	153-2541	MS PHILLIPS - 8-32 X 1/2	EA
33	2	164-6169	SPRING STEEL	EA
34	2	164-6168	SPRING STEEL SPACER	EA
35	4	153-2533	INTERNAL TOOTH LOCK WASHER - #8	EA
36	6	153-2086	MS PHILLIPS - 8-32 X 5/8	EA
37	1	154-0814	FITTING - 1/4 NPT X 3/8 TUBE	EA



TECHNICAL

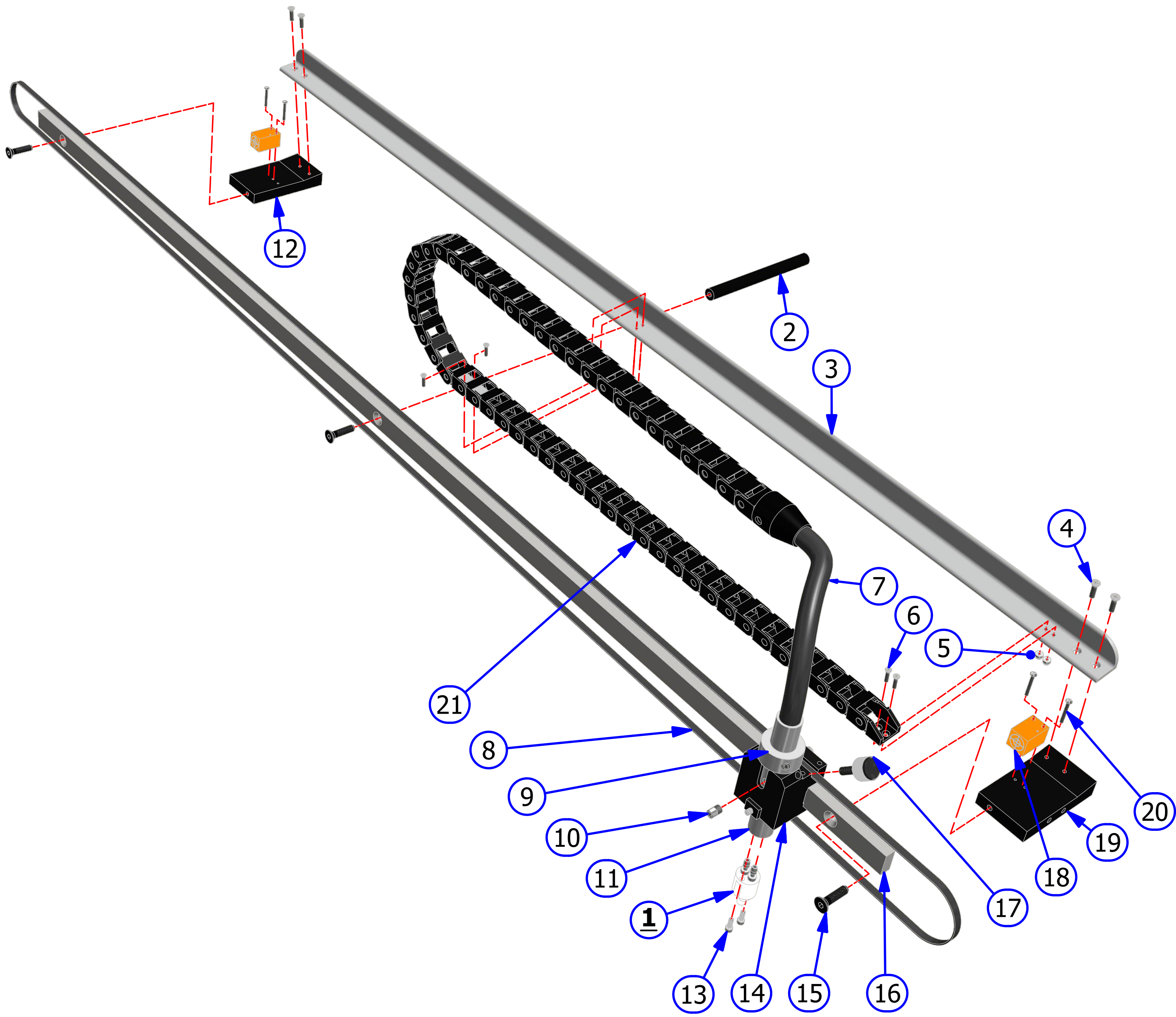
when ordering figure number 11, part number 164-6076, use part number 164-8015. The cartridge will come complete with the valve assembly.



OIL HEAD ASSEMBLY

REV. 1/14

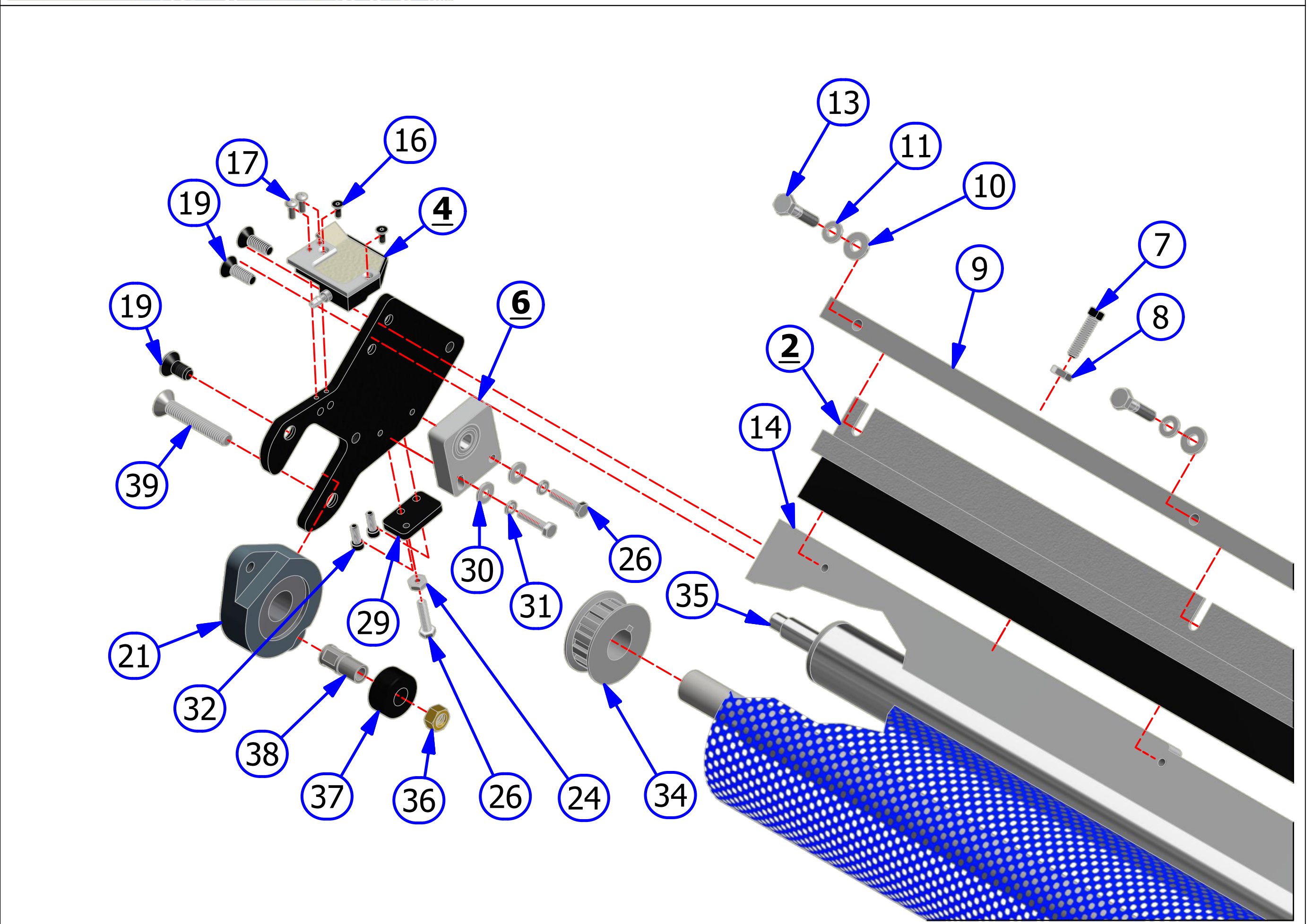
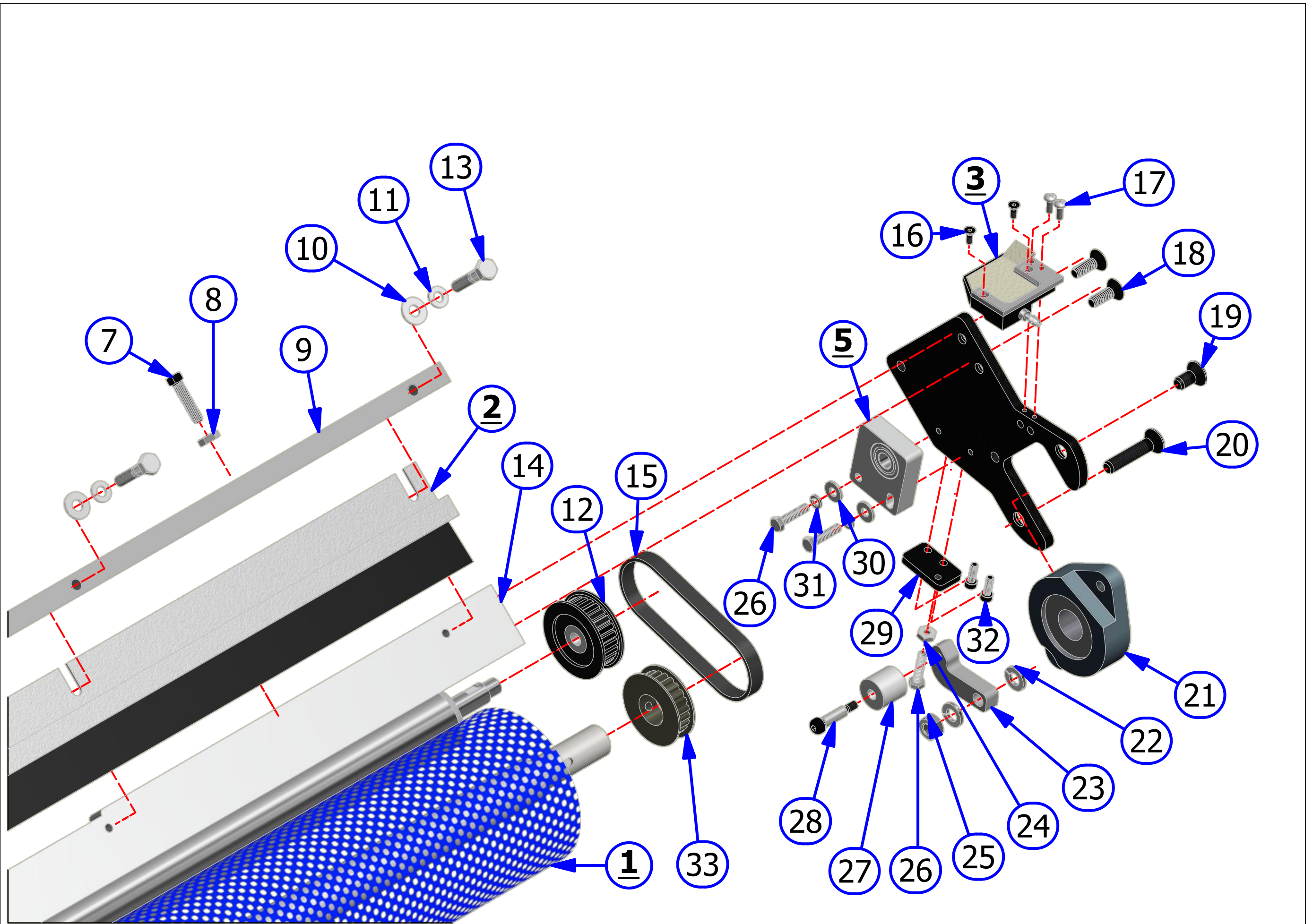
<u>INDEX</u> <u>NUMBER</u>	<u>QTY.</u>	<u>PART</u> <u>NUMBER</u>	<u>DESCRIPTION</u>	<u>UOM</u>
1	1	164-8051	DUAL OIL TIP WITH FITTINGS	EA
2	1	164-6046	FLEX HEAD BAR SUPPORT	EA
3	1	164-6104	OIL TIP HOSE ANGLE	EA
4	5	153-2806	FLAT HEAD PHILLIPS - 8-32 X 5/8	EA
5	4	153-2231	LOCKNUT - 4-40	EA
6	4	153-2724	FHMS PHILLIPS - 4-40 X 1/2	EA
7	1	164-2015A	SPRING FOR OIL HEAD (OBSOLETE) - USE 164-8023	
7.1	1	164-8023	OIL TUBE SLEEVE - REPLACES 164-2015A	EA
8	1	154-9201	BELT FOR HEAD DRIVE	EA
9	1	153-2937	SHAFT COLLAR 3/4" ID	EA
10	1	153-2972	THREADED PIN 1/4-20 FOR TIP AND HOSE ASSY	EA
11	1	164-6156	OIL TIP TUBE	EA
12	1	164-6102	LEFT HEAD BAR MOUNT	EA
13	2	153-2987	SCREW 6-32 X 3/8 SHCS	EA
14	1	164-6111	FLEX OIL HEAD ASSY	EA
15	3	153-2702	FHMS - 1/4-20 X 1 SELF-LOCKING	EA
16	1	154-6647A	SLIDING HEAD BAR (3/8) - STANDARD	EA
17	1	164-2016	THUMB SCREW - KNURLED HEAD	EA
18	2	154-1220	PROXIMITY SENSOR	EA
19	1	164-6103	RIGHT HEAD BAR MOUNT	EA
20	4	153-2216A	MS PHILLIPS - 4-40 X 7/8	EA
21	1	165-9009	FLEX-CABLE CARRIER	EA



OIL TRANSFER ASSEMBLY

REV. 9/14

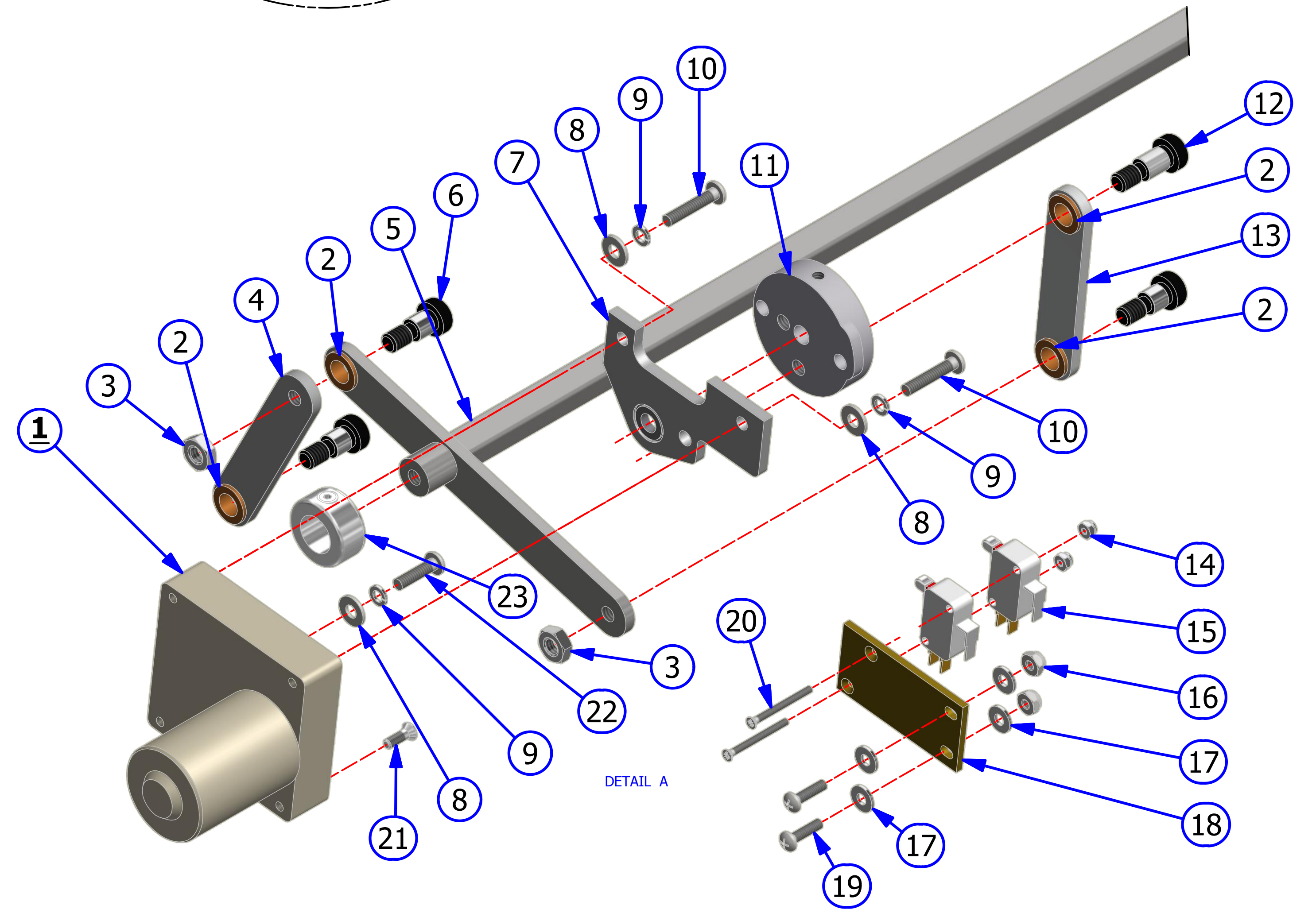
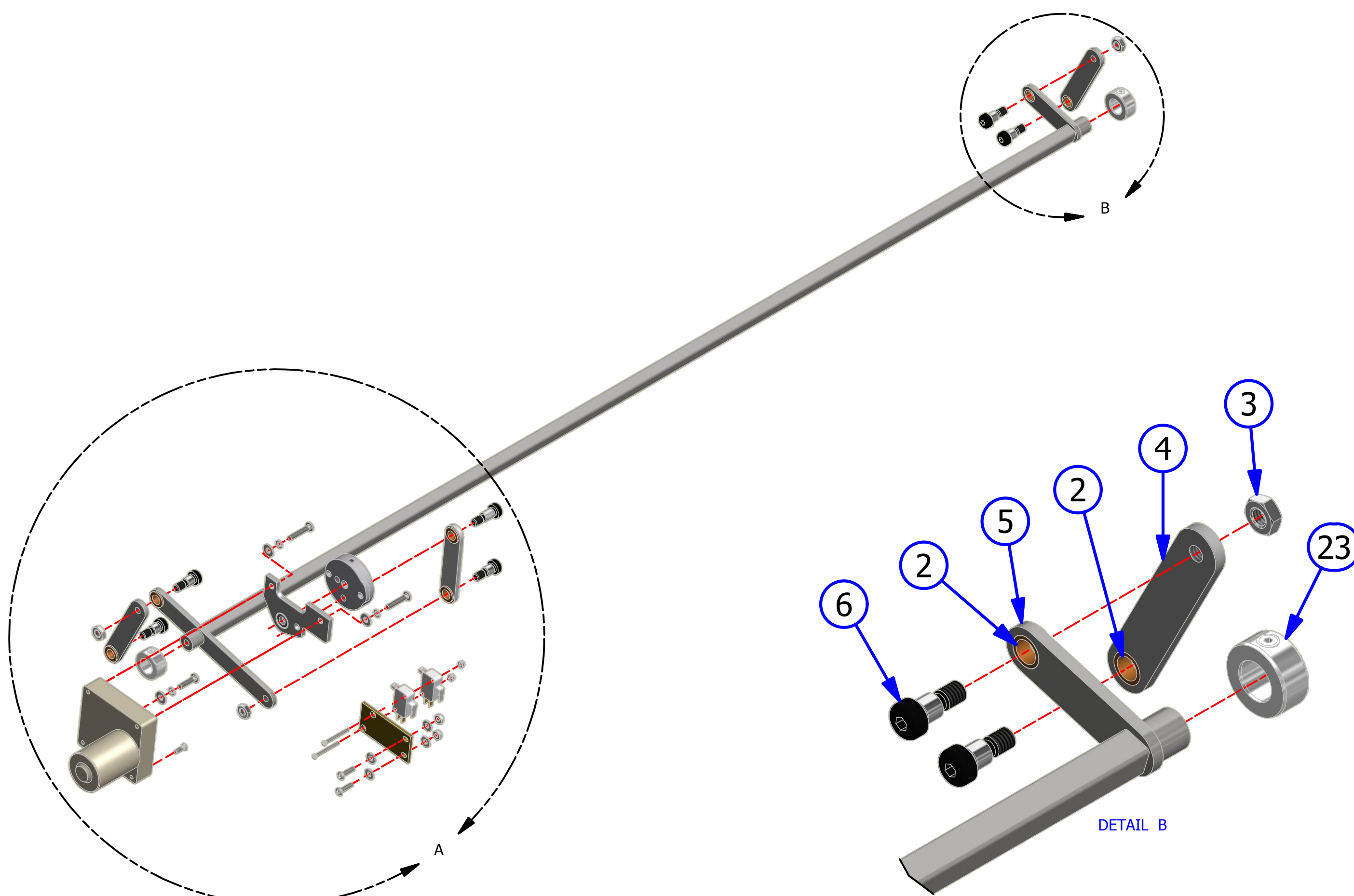
<u>INDEX</u>		<u>PART</u>		
<u>NUMBER</u>	<u>QTY.</u>	<u>NUMBER</u>	<u>DESCRIPTION</u>	<u>UOM</u>
1	1	164-8001	BUFFER BRUSH ASSEMBLY	EA
2	1	164-0866	SINGLE LONG BRUSH ASSEMBLY (TRANSFER BRUSH)	EA
3	1	164-8019	FLEX RIGHT DRIP PAD ASSEMBLY	EA
4	1	164-8018	FLEX LEFT DRIP PAD ASSEMBLY	EA
5	1	164-8045	BEARING MOUNT ASSEMBLY - RIGHT	EA
6	1	164-8046	BEARING MOUNT ASSEMBLY - LEFT	EA
7	4	153-2306	CUP POINT SQ HEAD SET SCREW 1/4-20 X 1	EA
8	4	153-2304	JAM NUT - 1/4-20	EA
9	1	158-6735	BRUSH TRACK MOUNT SUPPORT	EA
10	5	153-2004	1/4 FLATWASHER	EA
11	5	153-2014	1/4 LOCKWASHER	EA
12	1	154-9205D	PULLEY 24XL037 3/8 BORE	EA
13	5	153-2054	HHCS - 1/4-20 X 1-1/4	EA
14	1	158-6732	SINGLE BRUSH TRACK MOUNT	EA
15	1	154-9203	BELT FOR TRANSFER ROLLER	EA
16	4	153-2831	SCREW - 6/32 X 3/8 FHCS	EA
17	4	153-2721	MS PHILLIPS - 6-32 X 3/8	EA
18	4	153-2968	SCREW - 1/4-20 X 3/4 FHSHCS	EA
19	2	153-2802	FHSS - 5/16-18 X 5/8	EA
20	1	153-2513	FHSS - 5/16-18 X 1-1/2	EA
21	2	154-8640	FLANGED BEARING-STD BRUSH (3/4" ROTATED)	EA
22	2	153-2015	5/16 LOCKWASHER	EA
23	1	164-6051	TRANSFER ROLLER IDLER BELT BLOCK	EA
24	2	153-2022	HEX NUT - 10-24	EA
25	1	153-2024	HEX NUT - 5/16-18	EA
26	6	153-2955	10-24 x 7/8 HEX HEAD MACHINE SCREW	EA
27	1	158-6742	TRANSFER ROLLER BELT IDLER ROLLER	EA
28	1	153-2308	HEXAGON SOCKET HEAD SHOULDER SCREW	EA
29	2	164-6052	TRANFER ROLLER ADJUSTMENT PLATE	EA
30	4	153-2035	BLIND RIVET WASHER - 3/16	EA
31	4	153-2013	#10 LOCKWASHER	EA
32	4	153-2999	SCREW - SHCS 8-32 X 1/2 BLACK OXIDE	EA
33	1	164-9007	PULLEY 24XLO37 3/4 BORE NO HUB NO KWY	EA
34	1	158-9402	PULLEY FOR BUFFER (FLX-17733 / FXW-13229 AND ABOVE)	EA
	1	164-9013	PULLEY FOR BUFFER (FLX-17732 / FXW-13228 AND BELOW)	EA
35	1	164-8008	TRANSFER ROLLER ASSEMBLY	EA
36	1	162-2032	LOCKNUT CENTERLOCK 5/16-18	EA
37	1	164-6165	BELT IDLER (FLX-17733 / FXW-13229 AND ABOVE & NON VB)	EA
	1	164-6165W	BELT IDLER (FLX-17732 / FXW-13228 AND BELOW & ALL VB)	EA
38	1	164-6166	BUFFER BELT IDLER SLEEVE	EA
39	1	164-2047	FHCS 5/16-18 X 2IN 18-8 SS	EA



BRUSH LIFT ROD ASSEMBLY

REV. 1/14

<u>INDEX</u> <u>NUMBER</u>	<u>QTY.</u>	<u>PART</u> <u>NUMBER</u>	<u>DESCRIPTION</u>	<u>UOM</u>
1	1	158-8402	MOTOR ASSEMBLY - 24VDC	EA
2	6	153-9803	FLANGED BUSHING (3/8 X 1/2 X 1/4)	EA
3	3	153-2027A	JAM NUT - 5/16-18	EA
4	2	164-6011	FLEX BRUSH LIFT ROD TO BEARING LINK	EA
5	1	164-6010	FLEX BRUSH LIFT ROD	EA
6	5	153-2801	SHOULDER BOLT-3/8 X 3/8 (5/16-18)	EA
7	1	158-8634	SQUEEGEE/BRUSH MOUNT PLATE ASSEMBLY	EA
8	3	153-2003	#10 FLATWASHER	EA
9	3	153-2013	#10 LOCKWASHER	EA
10	2	153-2092	MS PHILLIPS - 10-32 X 1	EA
11	1	154-6243	MOTOR CAM-DUAL LOBES (STACKED SWITCHES)	EA
12	1	153-2515	SHOULDER BOLT - 3/8 X 1/2 (5/16-18)	EA
13	1	164-6012	FLEX BRUSH LIFT ROD TO CAM LINK	EA
14	2	153-2231	LOCKNUT - 4-40	EA
15	2	153-1203	MICROSWITCH W/ROLLER	EA
16	2	153-2019	LOCKNUT - 8-32 (NYLOK)	EA
17	4	153-2002	#8 FLATWASHER	EA
18	1	154-6824	CAM SWITCH PLATE	EA
19	2	153-2086	MS PHILLIPS - 8-32 X 5/8	EA
20	2	153-2727	4-40 X 1-1/4 FHMS	EA
21	1	153-2817	FLAT HEAD PHILLIPS - 8-32 X 1/2	EA
22	1	153-2091	MS PHILLIPS - 10-32 X 3/4	EA



CLEANER TANK ASSEMBLY

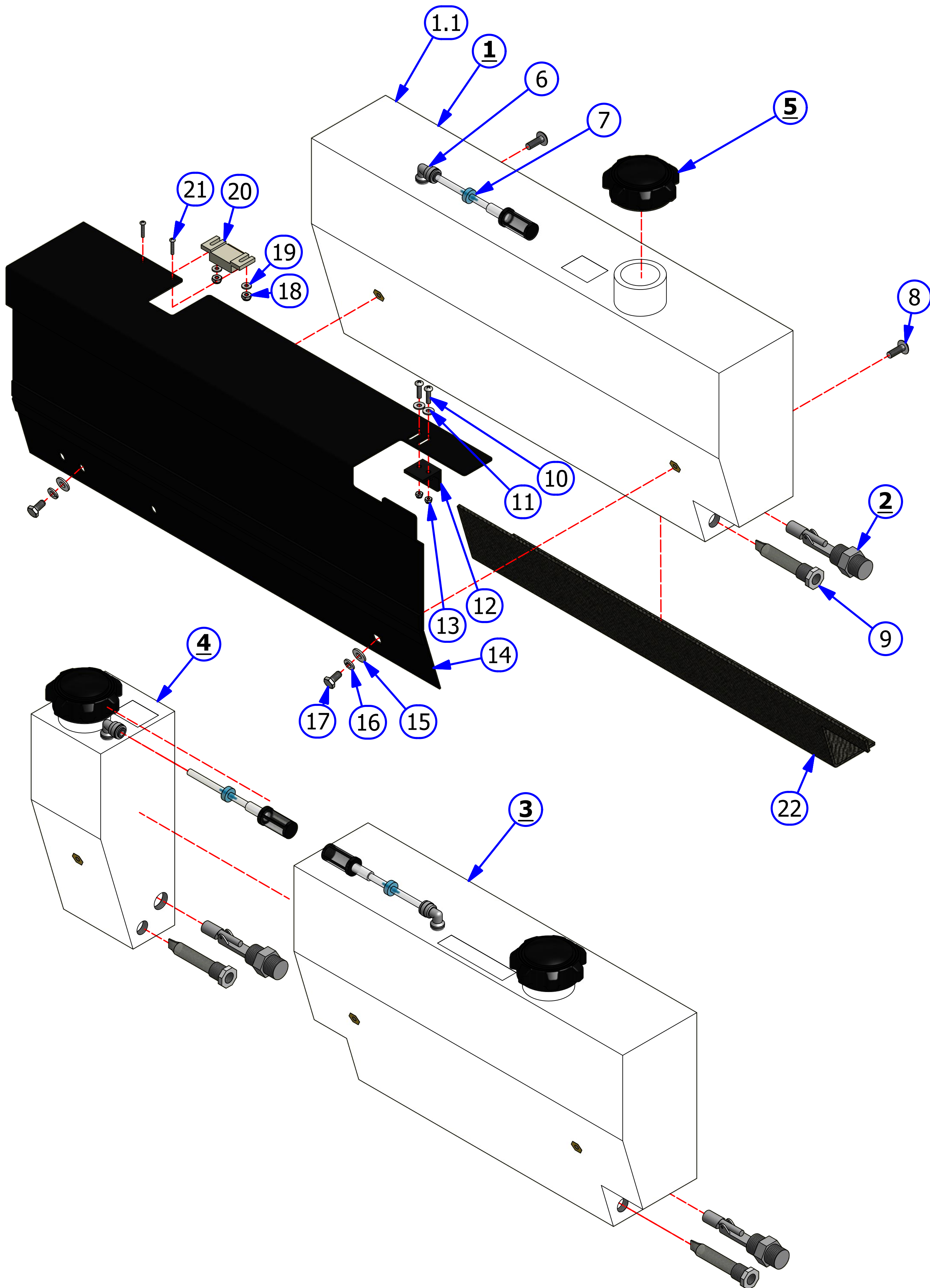
REV. 9/14

<u>INDEX</u> <u>NUMBER</u>	<u>QTY.</u>	<u>PART</u> <u>NUMBER</u>	<u>DESCRIPTION</u>	<u>UOM</u>
1	1	164-8042	CLEANER SUPPLY TANK (COMPLETE)	EA
1.1	1	164-6016	CLEANER SUPPLY TANK ONLY	EA
2	1*	154-8693	CLEANER SUPPLY TANK FLOAT ASSEMBLY	EA
3	1	164-8041	FLEX UPGRADED WATER TANK ASSEMBLY (COMPLETE)	EA
3.1	1	164-6740	UPGRADED WATER TANK (TANK ONLY)	EA
4	1	164-8043	FLEX UPGRADED CLEANER TANK ASSEMBLY (COMPLETE)	EA
4.1	1	164-6741	UPGRADED CLEANER TANK (TANK ONLY)	EA
5	1*	164-8081	SUPPLY TANK CAP WITH GASKET	EA
5.1	1*	164-0021	GASKET FOR SUPPLY TANK CAP	EA
6	1	154-0223	ELBOW (90 DEGREE) 1/4NPT X 1/4IN TUBING	EA
7	1	154-8817	VENT VALVE ASSEMBLY	EA
8	2	153-2924	MS PHILLIPS - 1/4-20 X 3/4	EA
9	1*	154-0212B	FILTER ASSEMBLY FOR SUPPLY TANK	EA
10	2	153-2086	MS PHILLIPS - 8/32 X 5/8	EA
11	2	153-2002	FLAT WASHER #8	EA
12	1	154-6827M	MOUNTING ANGLE - MOLDED PLASTIC	EA
13	2	153-2231	LOCKNUT - 4-40	EA
14	1	164-8078	SPLASH GUARD (SPECIFY COLOR)	EA
15	2	153-2004	FLAT WASHER 1/4	EA
16	2	153-2014	LOCK WASHER 1/4	EA
17	2	153-2726	1/4-20 X 1/2 HHCS	EA
18	2	153-2019	LOCKNUT - 8-32 (NYLOK)	EA
19	2	153-2001	FLAT WASHER #6	EA
20	1	154-0609	MAGNETIC CATCH / PLATE ASSEMBLY	EA
21	2	153-2216	MS PHILLIPS 4-40 X 5/8	EA
22	1	154-0228S	STOCK - 1/8" GRAY FELT	IN



TECHNICAL NOTE

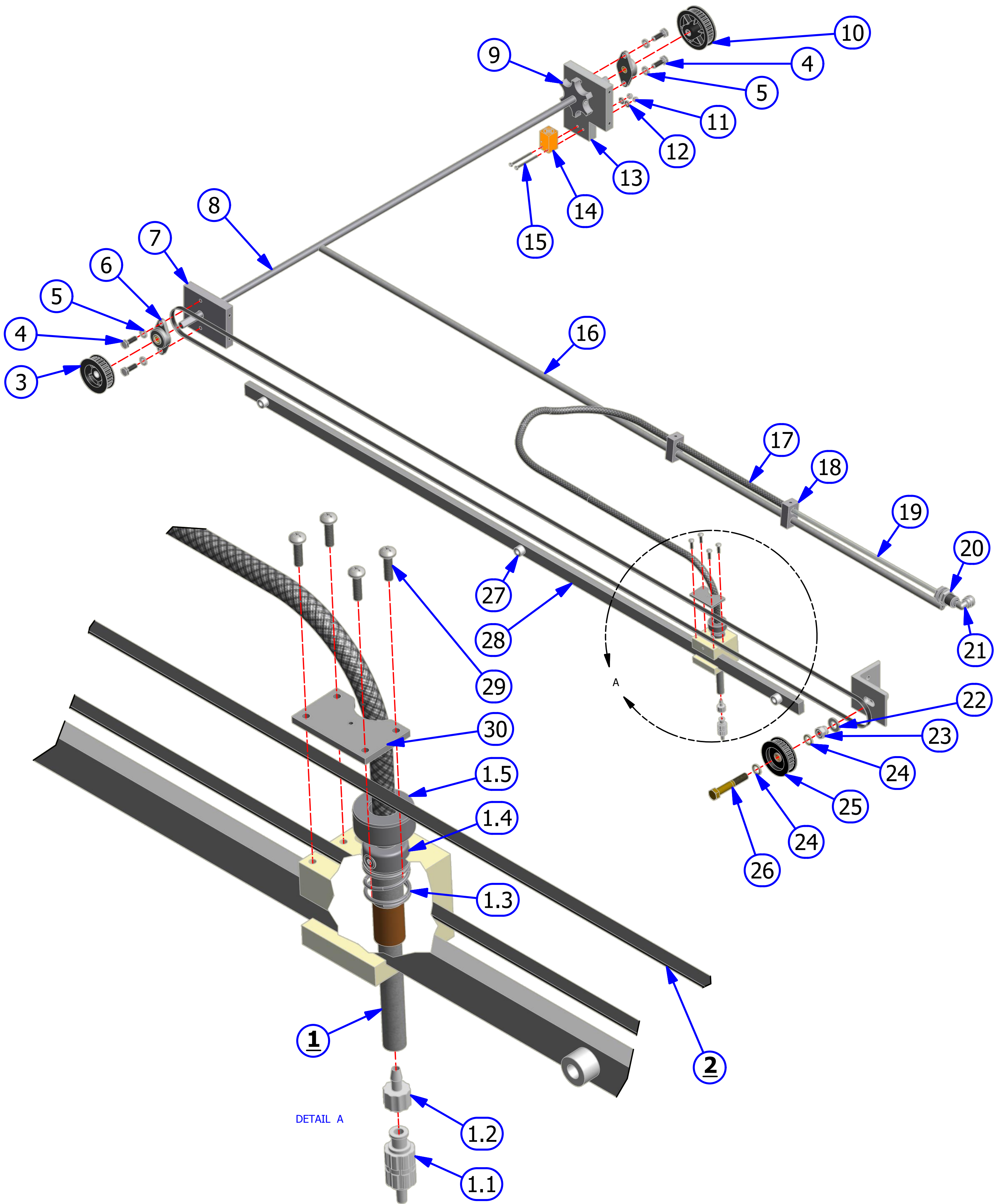
FOR MACHINES WITH THE UPGRADED CLEANING SYSTEM, THESE PARTS ARE QUANTITY OF TWO.



CLEANER HEAD ASSEMBLY

REV. 1/14

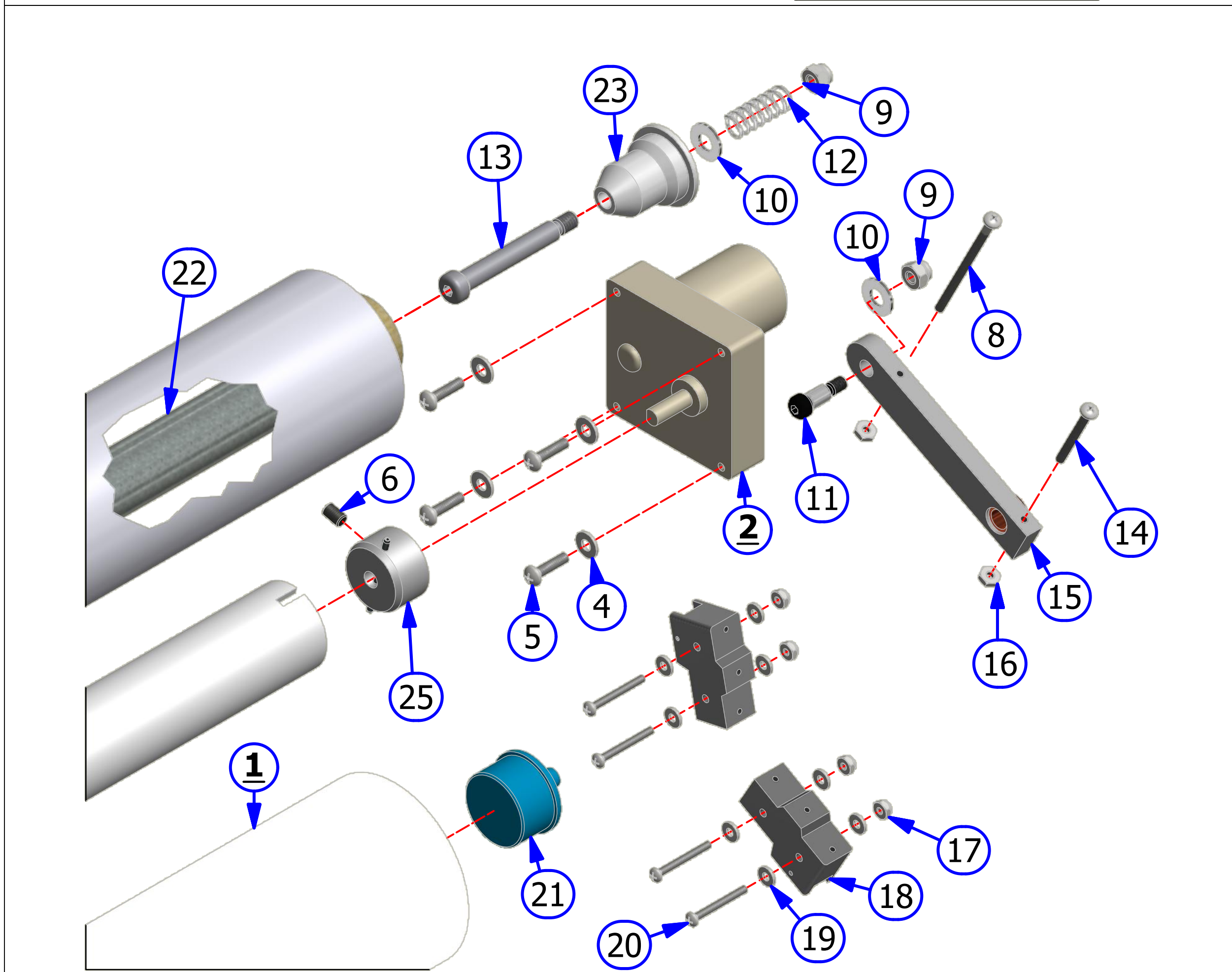
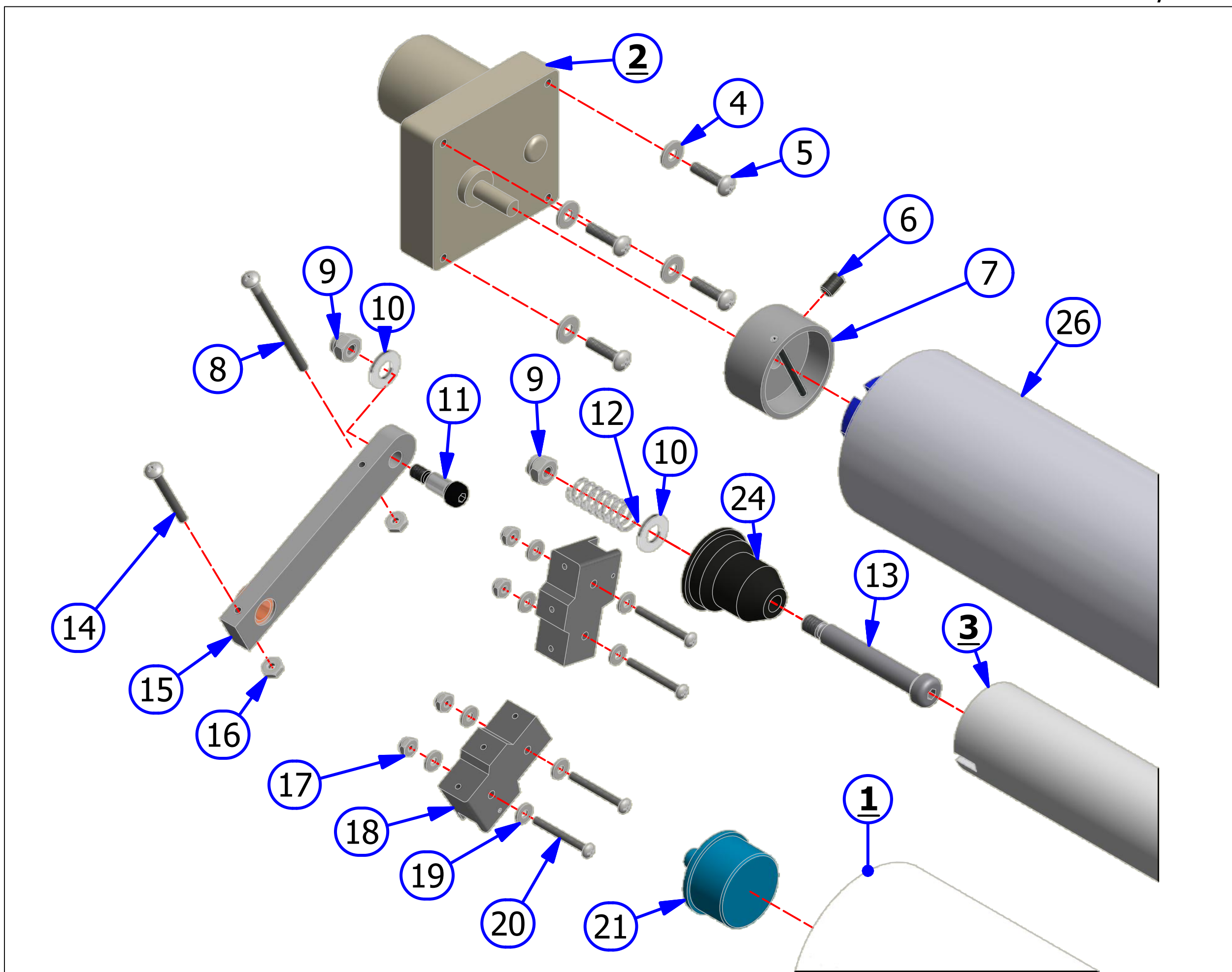
<u>INDEX</u>		<u>PART</u>			
<u>NUMBER</u>	<u>QTY.</u>	<u>NUMBER</u>	<u>DESCRIPTION</u>		<u>UOM</u>
1	1	154-8852	CLEANER HOSE AND TIP ASSEMBLY (COMPLETE)		EA
1.1	1	164-0012M	CLEANER TIP W/CHECK VALVE		EA
1.2	1	154-0863	FITTING - MALE LUER TO 1/8 IN HOSE BARB		EA
1.3	1	153-2713	SPRING - TIP RETAINER		EA
1.4	1	153-2804	COLLAR - 3/8 X 3/4 X 3/8		EA
1.5	1	153-2902	COLLAR - 1/2 X 1 1/8 X 1/2		EA
2	1	154-9201	HEAD DRIVE BELT ASSEMBLY (101")		EA
3	1	154-9205B	PULLEY (28XL 3/8" BORE W/DBL SET) 230V		EA
4	4	153-2603	HHCS - 1/4-20 X 3/4		EA
5	4	153-2014	1/4 LOCKWASHER		EA
6	2	154-9804	FLANGED BEARING FOR CLEANER DRIVE SHAFT		EA
7	1	154-6878	CLEANER HEAD DRIVE SHAFT BLOCK		EA
8	1	164-6047	FLEX CLEANER HEAD DRIVE SHAFT BLOCK		EA
9	1	154-6884	6 TOOTH SENSOR DISK		EA
10	1	154-9805	PULLEY - 32XL037 - 3/8 BORE DF DBL SET		EA
11	2	153-2231	LOCKNUT - 4-40		EA
12	2	153-2001	#6 FLATWASHER		EA
13	1	164-6064	CLEANER HEAD IDLER MOUNT BLOCK		EA
14	1	154-1220	PROXIMITY SENSOR		EA
15	2	153-2516	MS PHILLIPS - 4-40 X 1-1/2		EA
16	1	154-6889	CLEANER HOSE ROUTING BAR		EA
17	1	154-0867	SPRING , CLEANER HOSE		EA
18	2	154-6888	CLEANER HOSE SPRING MOUNT BLOCK		EA
19	1	154-0202A	TUBING STOCK 1/4 X 1/8OD		IN
20	1	154-0221	BULKHEAD UNION - 1/4 IN TUBING		EA
21	1	154-0222	ELBOW - 1/4" STEM X 1/4" TUBING OD		EA
22	1	153-2006	3/8 FLATWASHER		EA
23	1	153-2021A	LOCKNUT - 3/8-16 (STOVER)		EA
24	2	153-2009	NYLON FLAT WASHER (3/8 - 0.060)		EA
25	1	153-9035	PULLEY - 28XL037 - 1/2 BORE NO SET SCREW		EA
26	1	153-2815	HHCS - 3/8-16 X 2-1/4 (GRADE 8)		EA
27	3	154-6874	HEAD BAR SPACER		EA
28	1	154-6877	CLEANER HEAD GUIDE BAR		EA
29	4	153-2081	MS PHILLIPS - 6-32 X 1/2		EA
30	1	154-6646	HEAD BELT MOUNT PLATE		EA



DUSTER ASSEMBLY

REV. 1/14

<u>INDEX</u> <u>NUMBER</u>	<u>QTY.</u>	<u>PART NUMBER</u>	<u>DESCRIPTION</u>	<u>UOM</u>
1	1	153-8839	CUSHION ROLLER WITH WRAP ASSEMBLY	EA
1.1		154-8839A	CUSHION ROLLER COVER - SIZE A	EA
1.2		154-8839B	CUSHION ROLLER COVER - SIZE B	EA
1.3		154-8839C	CUSHION ROLLER COVER - SIZE C	EA
1.4		154-8839D	CUSHION ROLLER COVER - SIZE D	EA
1.5		154-8839E	CUSHION ROLLER COVER - SIZE E	EA
2	2	158-8403	DUSTER MOTOR ASSEMBLY	EA
3	1	153-8824	PVC TAKE UP REEL	EA
4	8	153-2003	#10 - FLATWASHER	EA
5	8	153-2091	MS PHILLIPS - 10-32 X 3/4	EA
6	2	153-2050	SET SCREW 1/4-28 X 3/8	EA
7	1	153-8201B	DUSTER DRIVE HUB ASSEMBLY (1/4-28)	EA
8	2	153-2927	MS - PHILLIPS - 8-32 X 2-3/4 (PAN HEAD)	EA
9	4	153-2020A	STOVER NUT - 1/4-20	EA
10	4	153-2004	FLAT WASHER 1/4-20	EA
11	2	153-2408	SHOULDER BOLST - 5/16 X 1/2 (1/4-20)	EA
12	2	153-2093	SPRING 0.42 OD X .75	EA
13	2	153-2535	SHOULDER BOLT - 5/16 X 2 1/4 (1/4-20)	EA
14	1	153-2090	MS - PHILLIPS - -32 X 1-1/2	EA
15	2	153-8420	CUSHION ROLLER PIVOT ARM	EA
16	4	153-2414	HEX NUT 8-32	EA
17	8	153-2018	LOCKNUT 6-32	EA
18	2	154-1603	MICROSWITCH WITHOUT ROLLER (LARGE)	EA
19	16	153-2001	FLAT WASHER #6	EA
20	8	153-2085	MS PHILLIPS - 6-32 X 1 1/4	EA
21	2	153-9051	CUSHION ROLLER PLUG WITH STUD	EA
22	1	153-0429	DUSTER ROLL SUPPORT PIPE (40 INCH)	EA
23	1	164-6108	DUSTER PLUG CARDBOARD CORE	EA
24	1	164-6109	UHMW DUSTER PLUG FOR PVC TAKE UP REEL	EA
25	1	153-8202B	DUSTER SOLID DRIVE HUB (PVC)	EA
26	1	153-0047EZ	K2 SELECT DUSTER CLOTH (BOX OF 4)	CASE



RECOVERY TANK

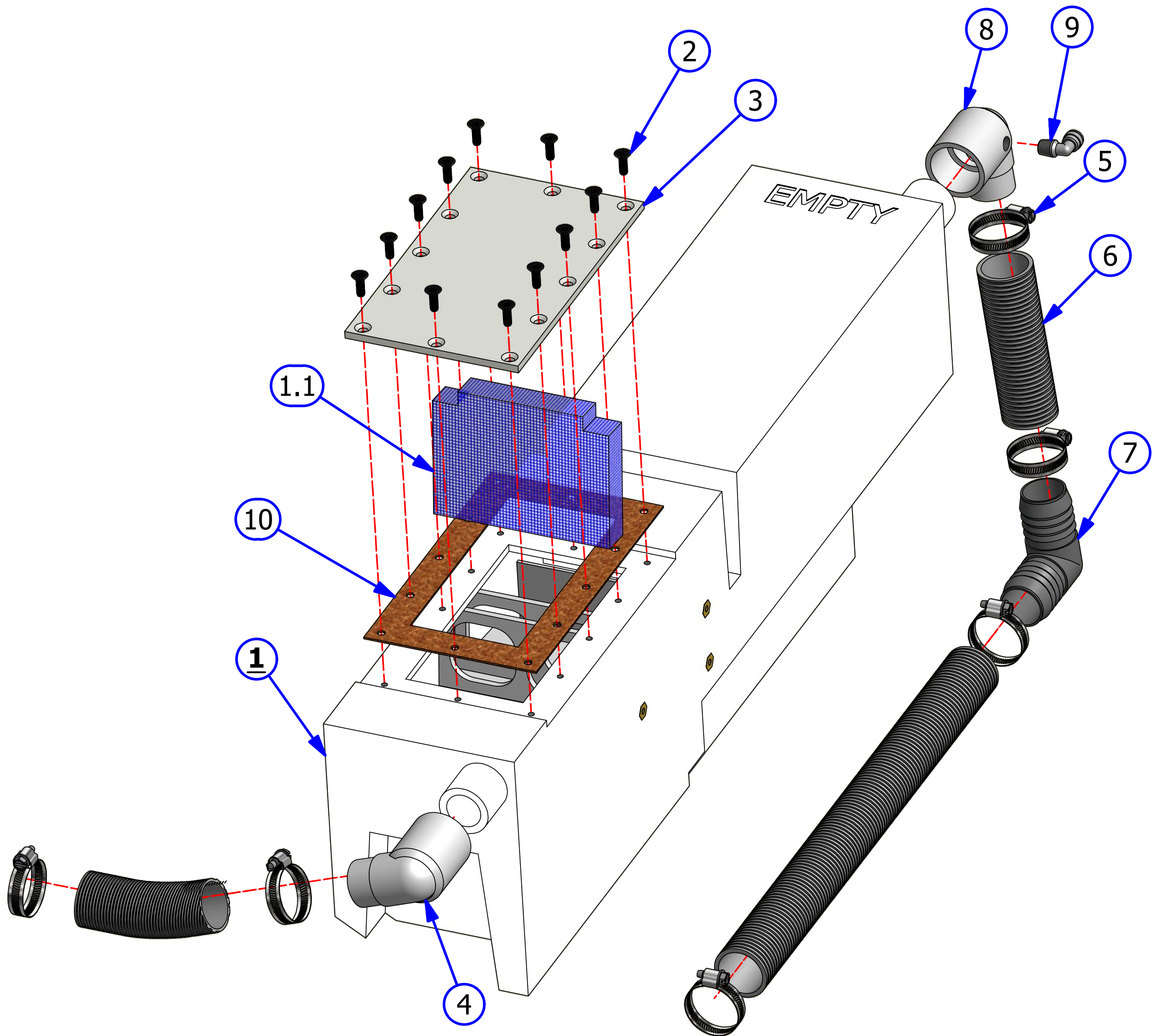
REV. 1/14

<u>INDEX</u> <u>NUMBER</u>	<u>QTY.</u>	<u>PART</u> <u>NUMBER</u>	<u>DESCRIPTION</u>	<u>UOM</u>
1	1	164-8017	FLEX RECOVERY TANK	EA
1.1	1	164-8017F	TANK FILTER (FLX-17733 / FXW-13229 AND ABOVE)	EA
1.2	1	164-6114	TANK FILTER (FLX-17732 / FXW-13228 AND BELOW)	EA
2	12	153-2968	SCREW - 1/4-20 X 3/4 FSHCS	EA
3	1	164-6120	FLEX RECOVERY TANK COVER PLATE	EA
4	1	153-8827T	1-1/4 PVC ELBOW-TANK INLET (NO THREADS)	EA
5	6	153-2406	HOSE CLAMP (2 INCH)	EA
6	1	154-0260	FLEXIBLE HOSE - SOLD BY THE INCH	IN
7	1	154-0607	PVC ELBOW - 1-1/2 BARB X 1-1/2 BARB	EA
8	1	158-6244	ELBOW -RECOVERY TANK WITH TAPPED HOLE	EA
9	1	154-0223	ELBOW - 1/4" TUBE X 1/4" NPT	EA
10	1	158-0405	FLEX RECOVERY TANK GASKET	EA



TECHNICAL NOTE

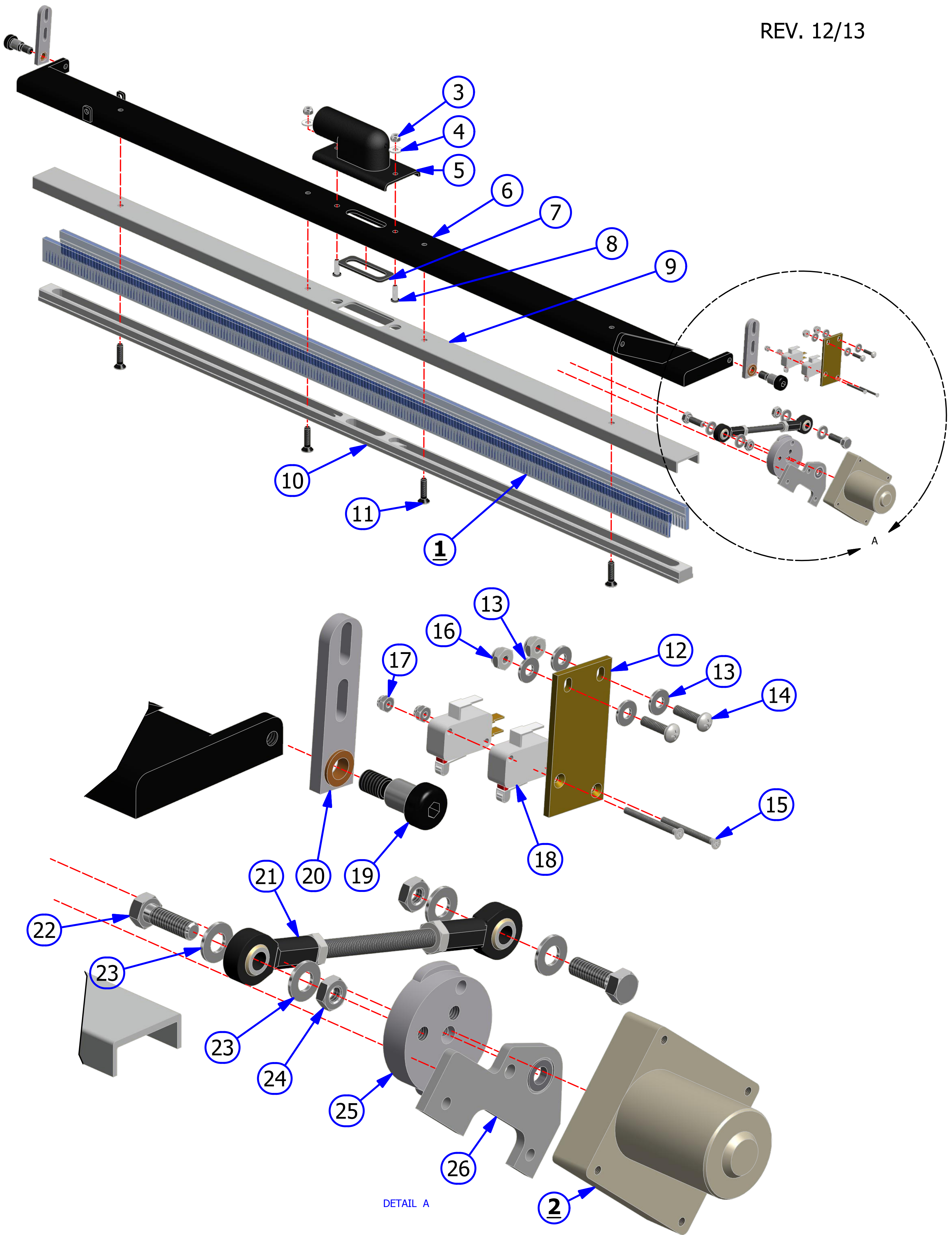
THE FLEX RECOVERY TANKS WERE MODIFIED AFTER PRODUCTION AND DIFFERENT FILTERS ARE CUSTOM CUT TO THE SPECIFIED SERIAL NUMBER. WHILE THE PART NUMBER FOR THE RECOVERY TANK STAYED THE SAME, THE FILTER DID NOT.



SQUEEGEE ASSEMBLY

REV. 1/14

<u>INDEX</u> <u>NUMBER</u>	<u>QTY.</u>	<u>PART</u> <u>NUMBER</u>	<u>DESCRIPTION</u>	<u>UOM</u>
1	1	153-8204E	SQUEEGEE BLADE REPLACEMENT (1 SET)	EA
2	1	158-8402	MOTOR ASSEMBLY -24VDC	EA
3	2	153-2020	LOCKNUT - 1/4-20 (NYLOK)	EA
4	2	153-2004	1/4 FLATWASHER	EA
5	1	154-6677A	SQUEEGEE HOSE ADAPTER NYLON	EA
6	1	154-6339	SQUEEGEE MOUNT ANGLE - BLACK (USE 154-6339-2850)	EA
7	1	164-0003	SQUEEGEE GASKET	EA
8	2	164-2023	BHSCS 1/4-20 X 3/4	EA
9	1	164-6074	EXTRUDED SQUEEGEE CHANNEL	EA
10	1	164-6075	MACHINED SQUEEGEE CHANNEL INSERT	EA
11	4	153-2503	FHSS - 5/16-18 X 1-1/4	EA
12	1	154-6824	SQUEEGEE CAM SWITCH PLATE	EA
13	4	153-2002	#8 FLATWASHER	EA
14	2	153-2086	MS PHILLIPS - 8-32 X 5/8	EA
15	2	153-2727	4-40 X 1-1/4 FHMS	EA
16	2	153-2019	LOCKNUT - 8-32 (NYLOK)	EA
17	2	153-2231	LOCKNUT - 4-40	EA
18	2	153-1203	MICROSWITCH W/ROLLER	EA
19	2	153-2303	SHOULDER BOLT-3/8 X 5/8 (5/16-18)	EA
20	2	154-6822	SQUEEGEE ADJUSTMENT ARM	EA
21	2	153-0211	ROD END	EA
22	2	153-2061	HHCS - 5/16-18 X 1	EA
23	4	153-2005	5/16 FLATWASHER	EA
24	2	153-2027A	JAM NUT - 5/16-18	EA
25	1	154-6243	MOTOR CAM-DUAL LOBES (STACKED SWITCHES)	EA
26	1	158-8634	SQUEEGEE/BRUSH MOUNT PLATE ASSEMBLY	EA



VACUUM MOTOR ASSEMBLY

REV. 1/14

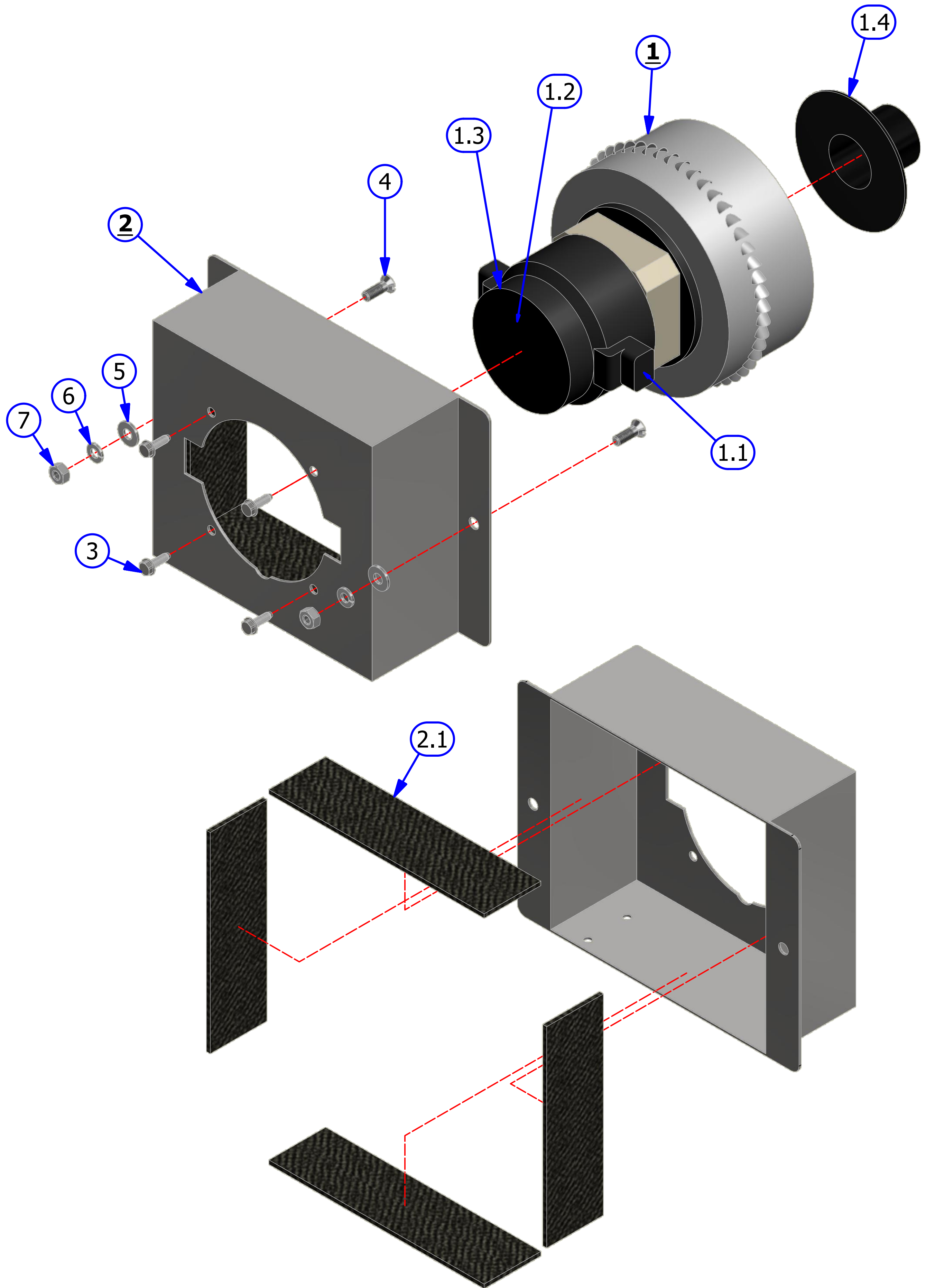
<u>INDEX NUMBER</u>	<u>QTY.</u>	<u>PART NUMBER</u>	<u>DESCRIPTION</u>	<u>UOM</u>
1	1	158-8407	VACUUM MOTOR ASSEMBLY (COMPLETE)	
1.1	1	158-1421B	VACUUM MOTOR BRUSHES	PR
1.2	1	153-0204F	FAN BLADE	EA
1.3	1	153-0204H	FAN BLADE COVER	EA
1.4*	1	153-6221M	VACUUM WALL PLASTIC ADAPTER (See Below)	EA
2	1	158-8618	VACUUM MOTOR HOUSING	
2.1		154-0228S	STOCK - 1/8 IN GRAY FELT	IN
3	4	153-2830	HEX HEAD SELF TAP #10 X 5/8 SCREW	EA
4	2	153-2078	FHMS - 1/4 - 20 X 3/4	EA
5	2	153-2004	1/4 FLAT WASHER	EA
6	2	153-2014	1/4 LOCK WASHER	EA
7	2	153-2023	1/4/-20 HEX NUT	EA



TECHNICAL NOTE

WHEN ATTACHING PART NUMBER 153-6221M, USE A TWO (2) PART EPOXY AND ALLOW TO DRY ACCORDING TO DIRECTIONS.

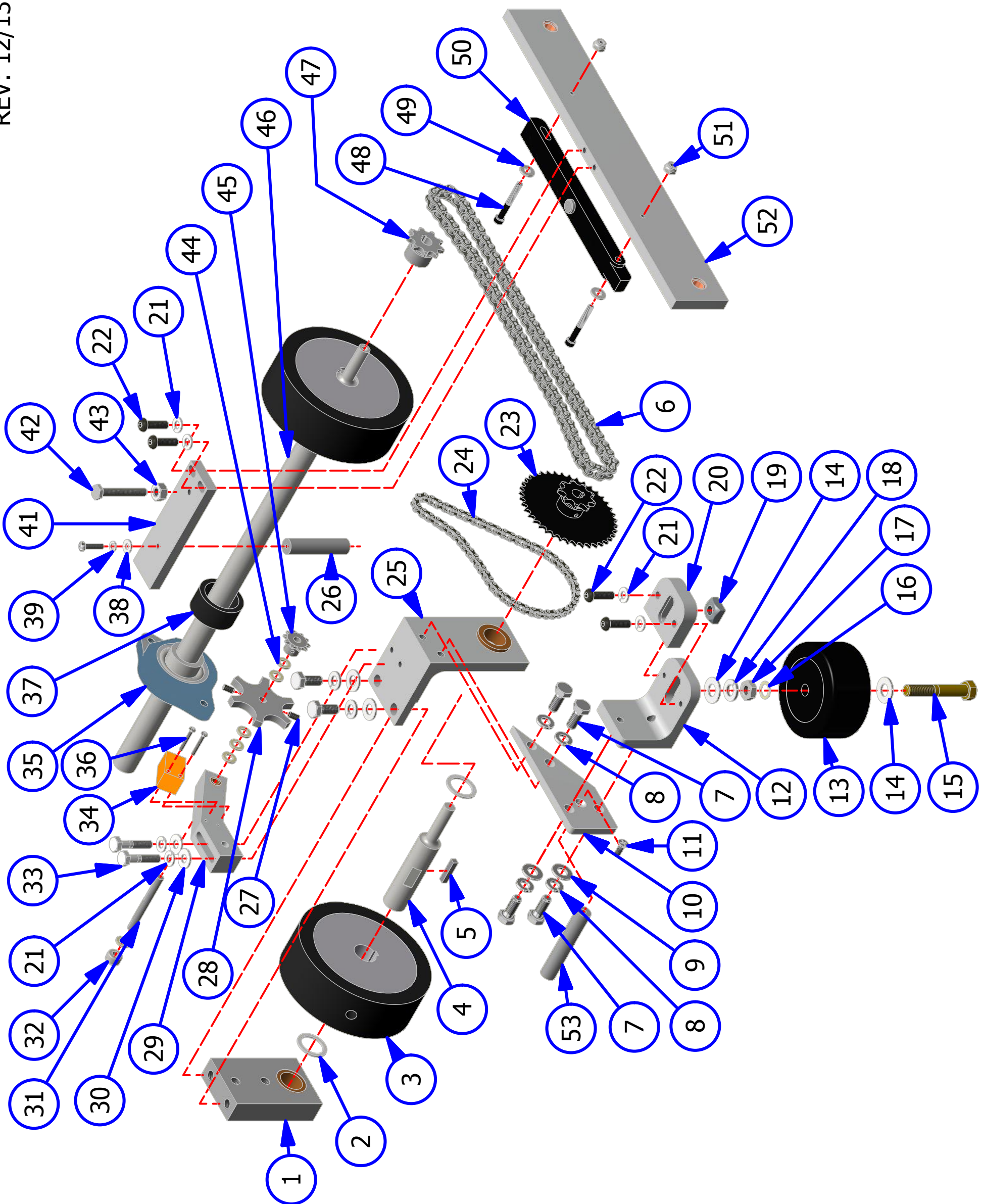
BE CAREFUL NOT TO CRUSH THE VACUUM MOTOR HOUSING INTO INTERNAL BLADES.



ZTR ASSEMBLY - LEFT

REV. 1/14

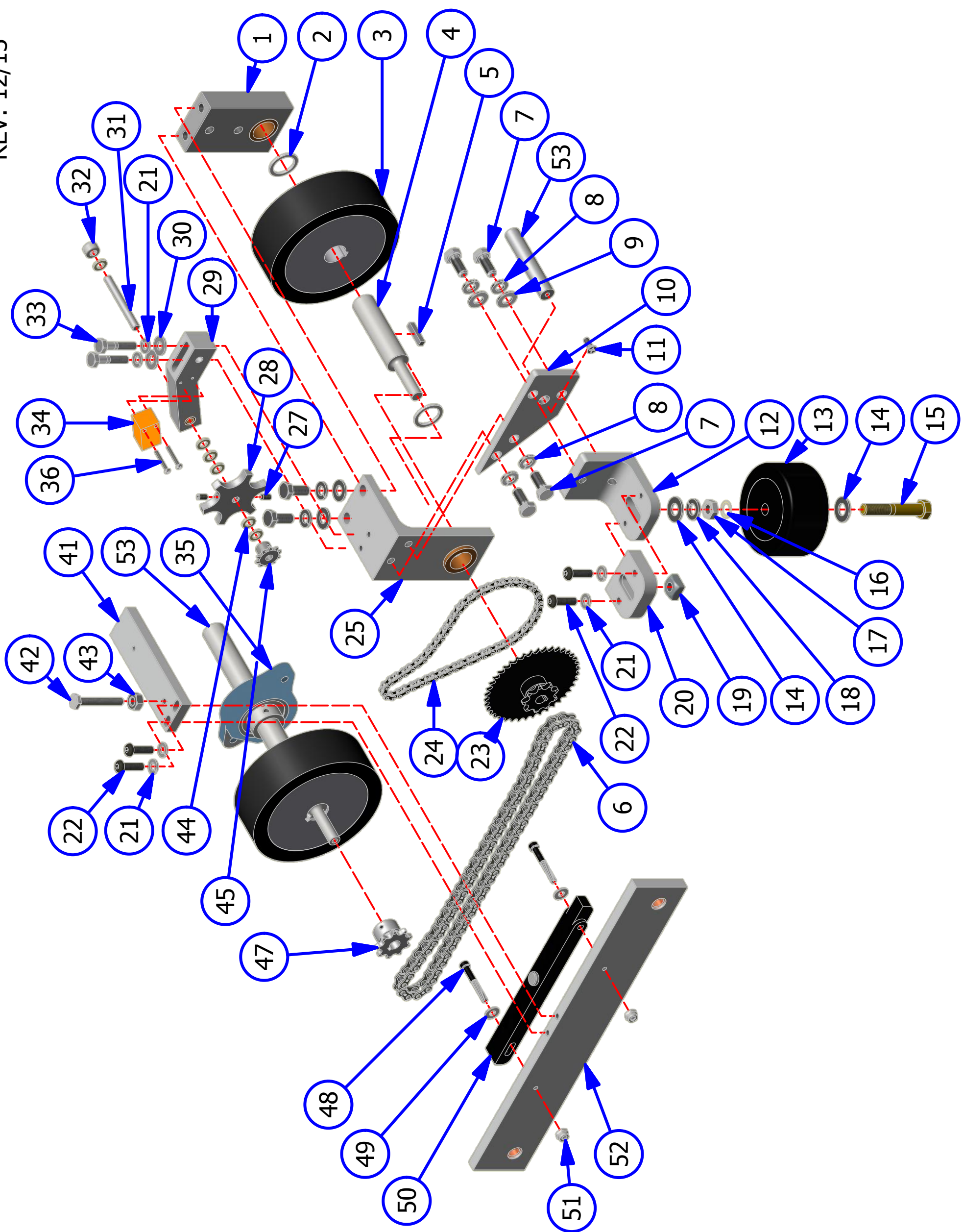
<u>INDEX NUMBER</u>	<u>QTY.</u>	<u>PART NUMBER</u>	<u>DESCRIPTION</u>	<u>UOM</u>
1	1	164-6034	KICK-UP WHEEL MOUNTING BLOCK	EA
2	2	153-2939	NYLON WASHER	EA
3	2	158-7001	DRIVE WHEEL 4.5 IN	EA
4	1	164-6030	FLEX KICK-UP WHEEL SHAFT	EA
5	2	153-2101	KEYSTOCK - 3/16 X 7/8	IN
6	1	164-9005	CHAIN (35P67) ZTR KICKUP	EA
7	6	153-2602	HHCS - 5/16-18 X 3/4	EA
8	6	153-2015	5/16 LOCKWASHER	EA
9	4	153-2005	5/16 FLATWASHER	EA
10	1	164-6037	BUMPER WHEEL MOUNTING PLATE	EA
11	1	153-2604	MS FLAT PHILLIPS - 10-32 X 1/2	EA
12	1	164-6038	BUMPER WHEEL ANGLE MOUNT	EA
13	1	153-7203A	BUMPER WHEEL	EA
14	2	153-2006	3/8 FLATWASHER	EA
15	1	153-2815	HHCS - 3/8-16 X 2-1/4 (GRADE 8)	EA
16	1	153-2531	NYLON FLAT WASHER - 3/8 (0.030)	EA
17	1	153-2027	JAM NUT - 3/8-16	EA
18	1	153-2016	3/8 LOCKWASHER	EA
19	1	164-2005	SQUARE NUT - 3/8-16	EA
20	1	164-6039	BUMPER WHEEL NUT RETAINER	EA
21	4	153-2014	1/4 LOCKWASHER	EA
22	4	153-2052A	BHSS - 1/4-20 X 7/8	EA
23	1	164-9002	SPROCKET - DUPLEX W/STD KKY 2 SETS	EA
24	1	164-9004	CHAIN (25P55) ZTR FLEX	EA
25	1	164-6035	KICK-UP WHEEL ANGLE - LEFT	EA
27	2	153-2201	SET SCREW - 10-32 X 3/8	EA
28	1	154-6831	6-TOOTH SENSOR DISK-ALUMINUM	EA
29	1	164-6065	DISK SHAFT BUSHING MOUNT	EA
30	2	153-2004	1/4 FLATWASHER	EA
31	1	158-6626	6 TOOTH DISK SHAFT	EA
32	1	153-2703	STEEL COLLAR - 1/4 X 3/8	EA
33	2	153-2055	HHCS - 1/4-20 X 1-1/2	EA
34	1	154-1220	INDUCTIVE PROXIMITY SENSOR (TL-Q5MC1)	EA
35	1	153-9816	BEARING HOUSING	EA
36	2	153-2216A	MS PHILLIPS - 4-40 X 7/8	EA
41	1	164-6033	FLEX ZTR SUPPORT MOUNT	EA
42	1	153-2528	HHCS - 1/4-20 X 1-3/4 (FULL THREAD)	EA
43	1	153-2024	HEX NUT - 5/16-18	EA
44	6	153-2510	NYLON WASHER - 1/4 (0.060)	EA
45	1	158-9613	SPROCKET - 25B10 1/4 BORE - 10-24 2SS	EA
47	1	164-9003	SPROCKET - 40B10 (5/8")	EA
48	2	164-2004	SHCS - 10-24 X 1-1/2	EA
49	2	153-2035	BLIND RIVET WASHER - 3/16	EA
50	1	164-6031	FLEX ZTR CHAIN TENSIONER	EA
51	2	153-2208	LOCKNUT - 10-24 (NYLOK)	EA
52	1	164-6040	FLEX ZTR SHAFT SUPPORT	EA
53	1	164-6028	FLEX ZTR DRIVE SHAFT- LEFT	EA



ZTR ASSEMBLY - RIGHT

REV. 1/14

<u>INDEX</u> <u>NUMBER</u>	<u>QTY.</u>	<u>PART NUMBER</u>	<u>DESCRIPTION</u>	<u>UOM</u>
1	1	164-6034	KICK UP WHEEL MOUNTING BLOCK	EA
2	2	153-2939	NYLON WASHER	EA
3	2	158-7001	DRIVE WHEEL 4.5 IN	EA
4	1	164-6030	FLEX KICK-UP WHEEL SHAFT	EA
5	2	153-2101	KEYSTOCK - 3/16 X 7/8	EA
6	1	164-9005	CHAIN (35P67) ZTR KICKUP	EA
7	6	153-2602	HHCS - 5/16-18 X 3/4	EA
8	6	153-2015	5/16 LOCKWASHER	EA
9	4	153-2005	5/16 FLATWASHER	EA
10	1	164-6037	BUMPER WHEEL MOUNTING PLATE	EA
11	1	153-2604	MS FLAT PHILLIPS - 10-32 X 1/2	EA
12	1	164-6038	BUMPER WHEEL MOUNT ANGLE	EA
13	1	153-7203	BUMPER WHEEL	EA
14	2	153-2006	3/8 FLATWASHER	EA
15	1	153-2815	HHCS - 3/8-16 X 2-1/4 (GRADE 8)	EA
16	1	153-2531	NYLON FLAT WASHER - 3/8 (0.030)	EA
17	1	153-2027	JAM NUT - 3/8-16	EA
18	1	153-2016	3/8 LOCKWASHER	EA
19	1	164-2005	SQUARE NUT - 3/8-16	EA
20	1	164-6039	BUMPER WHEEL NUT RETAINER	EA
21	4	153-2014	1/4 LOCKWASHER	EA
22	4	153-2052A	BHSS - 1/4-20 X 7/8	EA
23	1	164-9002	SPROCKET - 40B10 (5/8")	EA
24	1	164-9004	CHAIN (25P55) ZTR FLEX	EA
25	1	164-6036	KICK UP WHEEL RIGHT	EA
26	1	164-6162	GUARD STAND OFF	EA
27	2	153-2201	SET SCREW - 10-32 X 3/8	EA
28	1	154-6831	6-TOOTH SENSOR DISK-ALUMINUM	EA
29	1	164-6065	DISK SHAFT BUSHING MOUNT	EA
30	2	153-2004	1/4 FLATWASHER	EA
31	1	158-6626	6 TOOTH DISK SHAFT	EA
32	1	153-2703	STEEL COLLAR - 1/4 X 3/8	EA
33	2	153-2054	HHCS - 1/4-20 X 1-1/4	EA
34	1	154-1220	INDUCTIVE PROXIMITY SENSOR	EA
35	1	153-9816	3/4 IN FLANGED BEARING - 5/16-18 TAPPED	EA
36	2	153-2216A	MS PHILLIPS - 4-40 X 7/8	EA
37	1	164-6142	REAR DRIVE CHAIN IDLER	EA
38	1	153-2002	#8 FLATWASHER	EA
39	1	153-2013	#10 LOCKWASHER	EA
40	1	153-2087	MS PHILLIPS - 8-32 X 3/4	EA
41	1	164-6033	FLEX ZTR SUPPORT MOUNT	EA
42	1	153-2528	HHCS - 1/4-20 X 1-3/4 (FULL THREAD)	EA
43	1	153-2024	HEX NUT - 5/16-18	EA
44	6	153-2510	NYLON WASHER - 1/4 (0.060)	EA
45	1	158-9613	SPROCKET - 25B10 1/4 BORE - 10-24 2SS	EA
46	1	164-6029	FLEX ZTR DRIVE SHAFT - RIGHT	EA
47	1	164-9003	SPROCKET - 40B10 (5/8")	EA
48	2	164-2004	SHCS - 10-24 X 1-1/2	EA
49	2	153-2035	BLIND RIVET WASHER - 3/16	EA
50	1	164-6031	FLEX ZTR CHAIN TENSIONER	EA
51	2	153-2208	LOCKNUT - 10-24 (NYLOK)	EA
52	1	164-6040	FLEX ZTR SHAFT SUPPORT	EA
53	1	158-6705	BUMPER WHEEL SIDE POST	EA



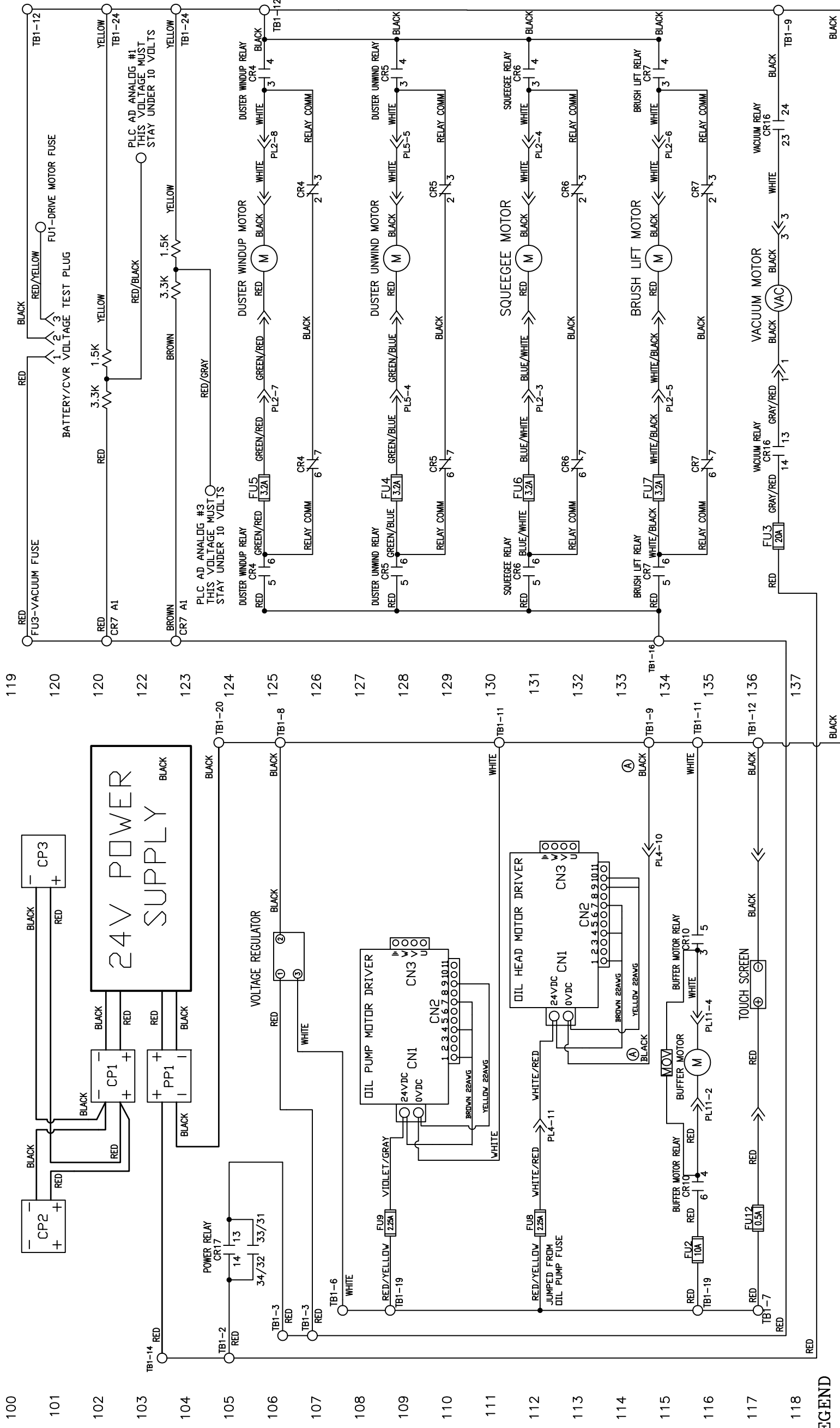
CHAPTER 9

Electrical Drawings

Flex Wiring Diagrams

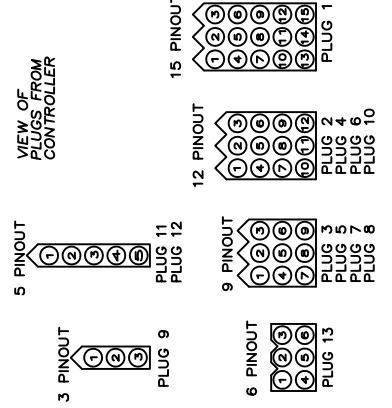
The following diagrams show wiring schematics for the Kustodian Walker. Detailed diagrams for the Ion follow this section. If you have any questions please call 863-734-0200 or email tech@kegel.net.

Flex Motor Wiring Layout.....	235
Flex Output Wiring Layout.....	236
Flex Input Wiring Layout.....	237
Flex Speed Control Wiring Layout.....	238
Flex Analog Wiring Layout.....	239
Flex Terminal Block Wiring Layout.....	240
Flex Power Wiring Layout.....	241
Flex Voltage Regulator Wiring Layout.....	242
Flex Oil Pump Driver & Motor Wiring Layout.....	243
Flex Oil-Cleaner Head Driver & Motor Wiring Layout.....	244
Flex L-R & R-L Head Proximity Sensor Wiring Layout.....	245
Flex Oil Valves Wiring Layout.....	246
Flex Buffer Motor Wiring Layout.....	247
Flex Variable Buffer Wiring Layout.....	248
Flex Brush Lift Motor Wiring Layout.....	249
Flex Vacuum Wiring Layout.....	250
Flex Squeegee Motor & Switch Wiring Layout.....	251
Flex Duster Unwind Motor & Switch Wiring Layout.....	252
Flex Duster Windup Motor & Switch Wiring Layout.....	253
Flex Cleaner Pump #1 Wiring Layout.....	254
Flex Cleaner Pump #2 Wiring Layout.....	255
Flex Start Button & Duster Presoak Button Wiring Layout.....	256
Flex Oil Float & Cleaner Float Wiring Layout.....	257
Flex Speed Tach & LDS Wiring Layout.....	258
Flex LED Tank Light Wiring Layout.....	259



LEGEND

- CR1 - OIL VALVE RELAY TANK A
 - CR2 - OIL VALVE RELAY TANK B
 - CR3 - POWER OFF RELAY
 - CR4 - DUSTER WINDUP MOTOR RELAY
 - CR5 - DUSTER UNWIND MOTOR RELAY
 - CR6 - SQUEEGEE LIFT MOTOR RELAY
 - CR7 - BRUSH LIFT MOTOR RELAY
 - CR8 - FORWARD DRIVE MOTOR RELAY
 - CR9 - REVERSE DRIVE MOTOR RELAY
 - CR10 - BUFFER MOTOR RELAY
 - CR11 -
 - CR12 -
 - CR13 -
 - CR14 -
 - CR15 -
 - CR16 - VACUUM MOTOR RELAY
 - CR17 - POWER RELAY
- FU1 - DRIVE MOTOR 7.5A
 - FU2 - BUFFER MOTOR 10A/20A
 - FU3 - VACUUM MOTOR 20A
 - FU4 - DUSTER UNWIND 3.2A
 - FU5 - DUSTER WINDUP 3.2A
 - FU6 - SQUEEGEE MOTOR 3.2A
 - FU7 - BRUSH LIFT MOTOR 3.2A
 - FU8 - HEAD DRIVE MOTOR 2.25A
 - FU9 - OIL PUMP MOTOR 2.25A
 - FU10 - PLC INPUT POWER/L1 0.5A
 - FU11 - PLC OUTPUT COMMON 0.5A
 - FU12 - TOUCH SCREEN 0.5A
 - FU13 - CLEANER PUMP #1 3.2A
 - FU14 - CLEANER PUMP #2 3.2A
 - FU15 - CVR POWER 25A/30A
 - FU16 - LED LIGHTS 1A
- CP1 - CHARGING PLUG BATTERY (BL)
 - CP2 - CHARGING PLUG IN SIDE (BL)
 - CP3 - CHARGING PLUG OUT SIDE (BL)
 - PP1 - POWER PLUG (RD)
- PL1 - 10-PIN SIDE PLUG (15)
 - PL2 - 10-PIN SIDE PLUG (12)
 - PL3 - 10-PIN SIDE PLUG (9)
 - PL4 - 7-PIN SIDE PLUG (12)
 - PL5 - 7-PIN SIDE PLUG (9)
 - PL6 - DRIVE SPEED BOARD PLUG (12)
 - PL7 - CLEANER PUMP #1 SPEED BOARD PLUG (9)
 - PL8 - CLEANER PUMP #2 SPEED BOARD PLUG (9)
 - PL9 -
 - PL10 - BUFFER SPEED BOARD PLUG (12)
 - PL11 - BUFFER MOTOR PLUG (5)
 - PL12 - BUFFER MOTOR VARIABLE SPEED PLUG (5)
 - PL13 - OIL PLATE ASSEMBLY PLUG (6)
- TB1 - TERMINAL BLOCK 1 (MAIN)
 - TB2 - TERMINAL BLOCK 2 (10-PIN SIDE)
 - TB3 - TERMINAL BLOCK 3 (7-PIN SIDE)
 - TB4 - TERMINAL BLOCK 4 (OIL PLATE)



REV	LTR	DATE	DESCRIPTION
A		01/02/14	CHANGED WHITE WIRE TO BLACK E/C# 14101

MATERIAL		N/A	
DESCRIPTION		1961 LONGLEAF BLVD. LAKE WALES, FL 33859 (866) 784-0200	
DRAWN BY	SLS	DATE	07/23/13
APPROVED:	MD	REV DATE	01/02/14
DOC REV	A	SIZE	C
		QTY/MACHINE	N/A
		SCALE	N/A
		SHEET	1 OF 25

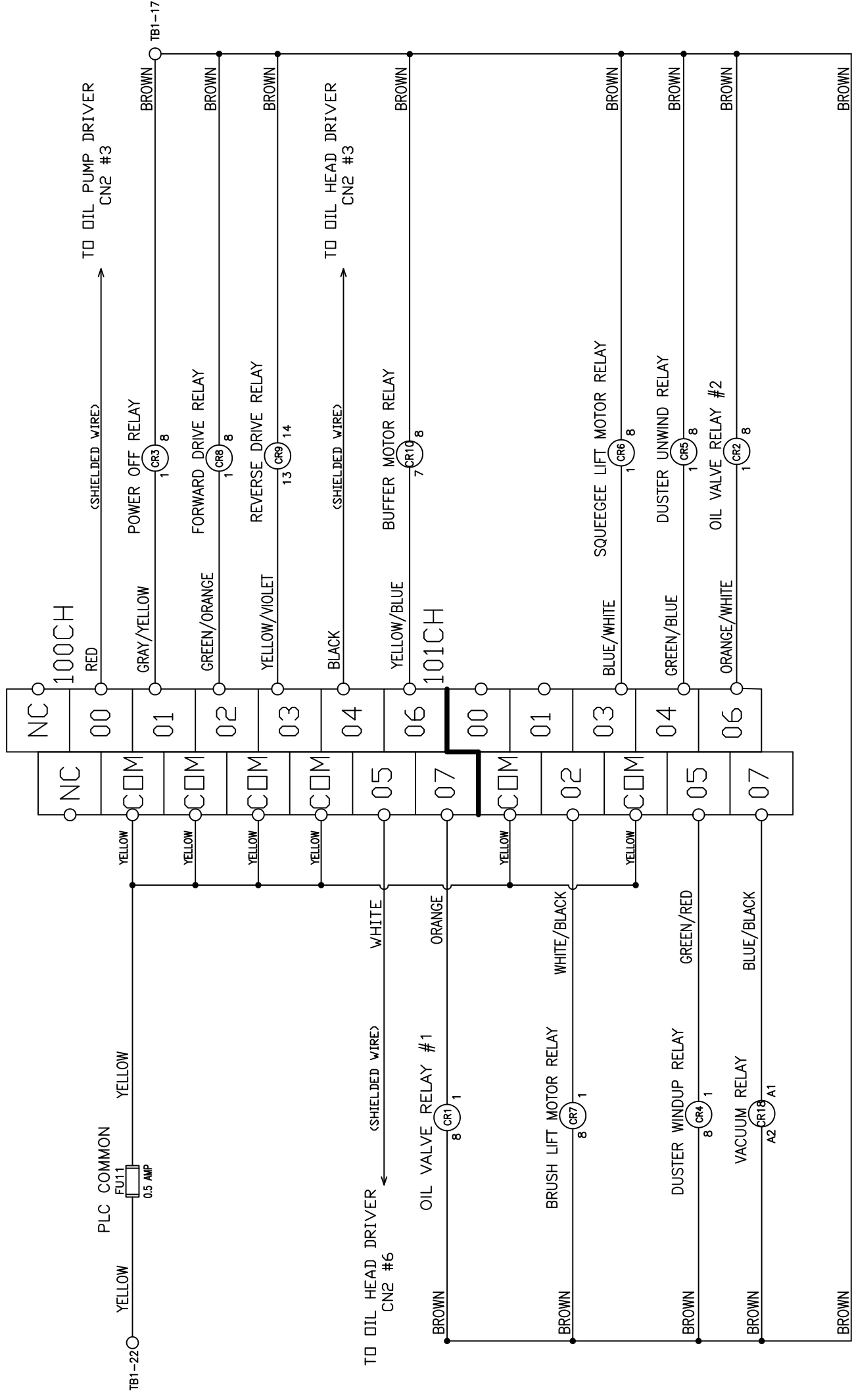
KEGEL

DESCRIPTION
MOTOR WIRING SCHEMATIC

MODEL
FLEX MODEL A

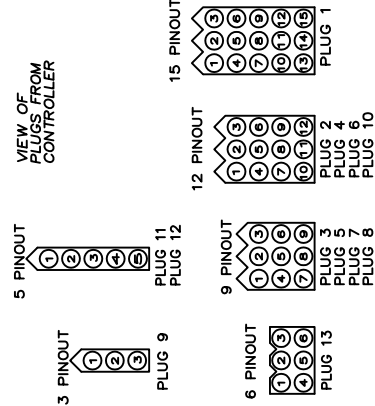
DO NOT SCALE DRAWING

DMRON
SYSMAC
CPIH
OUTPUTS



LEGEND

- CR1 - OIL VALVE RELAY TANK A
- CR2 - OIL VALVE RELAY TANK B
- CR3 - POWER OFF RELAY
- CR4 - DUSTER WINDUP MOTOR RELAY
- CR5 - DUSTER UNWIND MOTOR RELAY
- CR6 - SQUEEGEE LIFT MOTOR RELAY
- CR7 - BRUSH LIFT MOTOR RELAY
- CR8 - FORWARD DRIVE MOTOR RELAY
- CR9 - REVERSE DRIVE MOTOR RELAY
- CR10 - BUFFER MOTOR RELAY
- CR11 -
- CR12 -
- CR13 -
- CR14 -
- CR15 -
- CR16 - VACUUM MOTOR RELAY
- CR17 - POWER RELAY
- FU1 - DRIVE MOTOR 7.5A
- FU2 - BUFFER MOTOR 10A/20A
- FU3 - VACUUM MOTOR 20A
- FU4 - DUSTER UNWIND 3.2A
- FU5 - DUSTER WINDUP 3.2A
- FU6 - SQUEEGEE MOTOR 3.2A
- FU7 - BRUSH LIFT MOTOR 3.2A
- FU8 - HEAD DRIVE MOTOR 2.25A
- FU9 - OIL PUMP MOTOR 2.25A
- FU10 - PLC INPUT POWER/L1 0.5A
- FU11 - PLC OUTPUT COMMON 0.5A
- FU12 - TOUCH SCREEN 0.5A
- FU13 - CLEANER PUMP #1 3.2A
- FU14 - CLEANER PUMP #2 3.2A
- FU15 - CVR POWER 25A/30A
- FU16 - LED LIGHTS 1A
- CP1 - CHARGING PLUG (BLUE)
- CP2 - CHARGING PLUG (BLUE)
- PP1 - POWER PLUG (RED)
- PL1 - 10-PIN SIDE PLUG (15)
- PL2 - 10-PIN SIDE PLUG (12)
- PL3 - 10-PIN SIDE PLUG (9)
- PL4 - 7-PIN SIDE PLUG (12)
- PL5 - 7-PIN SIDE PLUG (9)
- PL6 - DRIVE SPEED BOARD PLUG (12)
- PL7 - CLEANER PUMP #1 SPEED BOARD PLUG (9)
- PL8 - CLEANER PUMP #2 SPEED BOARD PLUG (9)
- PL9 -
- PL10 - BUFFER SPEED BOARD PLUG (12)
- PL11 - BUFFER MOTOR PLUG (5)
- PL12 - BUFFER MOTOR VARIABLE SPEED PLUG (5)
- PL13 - OIL PLATE ASSEMBLY PLUG (6)
- TB1 - TERMINAL BLOCK 1 (MAIN)
- TB2 - TERMINAL BLOCK 2 (10-PIN SIDE)
- TB3 - TERMINAL BLOCK 3 (7-PIN SIDE)
- TB4 - TERMINAL BLOCK 4 (OIL PLATE)

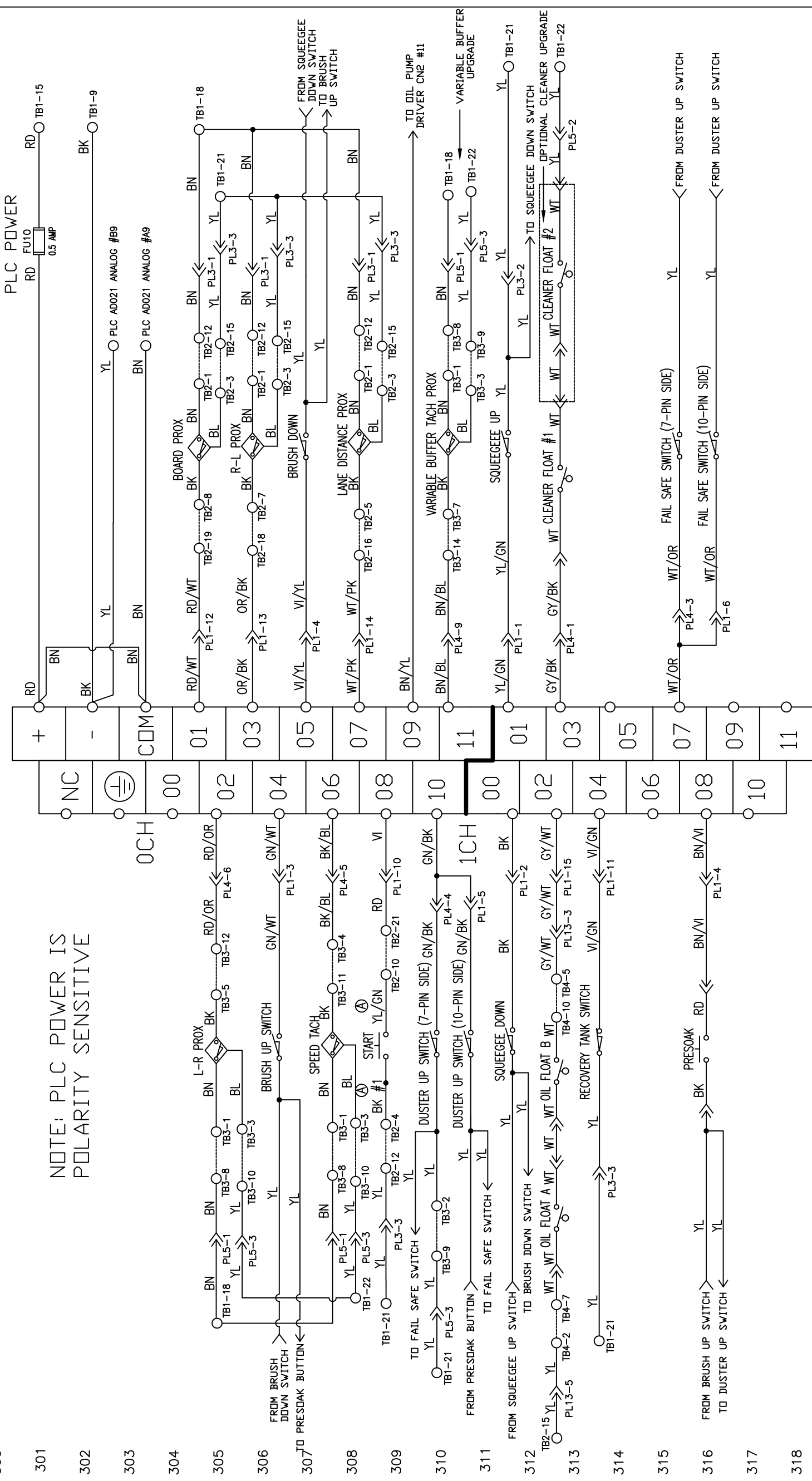


MATERIAL		N/A	
DATE	07/23/13	DESCRIPTION	OUTPUT WIRING SCHEMATIC
REVISED		MODEL	FLEX MODEL A
SIZE	C	SCALE	N/A
REV	MD	SCALE	N/A
DOC		SHEET	2 OF 25

1951 LONGLEAF BLVD.
LAKE WALES, FL 33869
(888) 794-0200

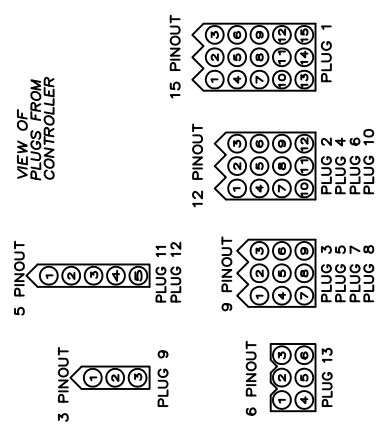
OMRON SYSMAC CP1H INPUTS

NOTE: PLC POWER IS POLARITY SENSITIVE



LEGEND

- CR1 - OIL VALVE RELAY TANK A
- CR2 - OIL VALVE RELAY TANK B
- CR3 - POWER OFF RELAY
- CR4 - DUSTER WINDUP MOTOR RELAY
- CR5 - DUSTER UNWIND MOTOR RELAY
- CR6 - SQUEEGEE LIFT MOTOR RELAY
- CR7 - BRUSH LIFT MOTOR RELAY
- CR8 - FORWARD DRIVE MOTOR RELAY
- CR9 - REVERSE DRIVE MOTOR RELAY
- CR10 - BUFFER MOTOR RELAY
- CR11 -
- CR12 -
- CR13 -
- CR14 -
- CR15 -
- CR16 - VACUUM MOTOR RELAY
- CR17 - POWER RELAY
- FU1 - DRIVE MOTOR 7.5A
- FU2 - BUFFER MOTOR 10A/20A
- FU3 - VACUUM MOTOR 20A
- FU4 - DUSTER WINDUP 3.2A
- FU5 - DUSTER UNWIND 3.2A
- FU6 - SQUEEGEE MOTOR 3.2A
- FU7 - BRUSH LIFT MOTOR 3.2A
- FU8 - HEAD DRIVE MOTOR 2.25A
- FU9 - OIL PUMP MOTOR 2.25A
- FU10 - PLC INPUT POWER/1.0 0.5A
- FU11 - PLC OUTPUT COMMON 0.5A
- FU12 - TOUCH SCREEN 0.5A
- FU13 - CLEANER PUMP #1 3.2A
- FU14 - CLEANER PUMP #2 3.2A
- FU15 - CVR POWER 25A/30A
- FU16 - LED LIGHTS 1A
- CP1 - CHARGING PLUG (BLUE)
- CP2 - CHARGING PLUG (BLUE)
- PP1 - POWER PLUG (RED)
- PL1 - 10-PIN SIDE PLUG (15)
- PL2 - 10-PIN SIDE PLUG (12)
- PL3 - 10-PIN SIDE PLUG (9)
- PL4 - 7-PIN SIDE PLUG (12)
- PL5 - 7-PIN SIDE PLUG (9)
- PL6 - DRIVE SPEED BOARD PLUG (12)
- PL7 - CLEANER PUMP #1 SPEED BOARD PLUG (9)
- PL8 - CLEANER PUMP #2 SPEED BOARD PLUG (9)
- PL9 -
- PL10 - BUFFER SPEED BOARD PLUG (12)
- PL11 - BUFFER MOTOR PLUG (5)
- PL12 - BUFFER MOTOR VARIABLE SPEED PLUG (5)
- PL13 - OIL PLATE ASSEMBLY PLUG (6)
- TB1 - TERMINAL BLOCK 1 (MAIN)
- TB2 - TERMINAL BLOCK 2 (10-PIN SIDE)
- TB3 - TERMINAL BLOCK 3 (7-PIN SIDE)
- TB4 - TERMINAL BLOCK 4 (OIL PLATE)



REV	LTR	DATE	DESCRIPTION
A		03/24/14	CHANGED HANDLE WIRE COLOURS E/C# 14140

MATERIAL		DESCRIPTION	
N/A		KEGEL	1951 LONGLEAF BLVD. LAKE WALES, FL 33869 (866) 784-0200

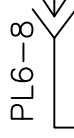
INPUT WIRING SCHEMATIC		MODEL A	
DRAWN BY	DATE	SIZE	SCALE
SLS	07/23/13	DO NOT SCALE DRAWING	N/A
APPROVED:	REV DATE	QTY/MACHINE PART NUMBER	SHEET
MD	03/24/14	C	3
DOC REV	A	ALL 17-57XX MODELS	OF 25

400

KEGEL P/N
154-1270



RD



WT



403

404

405

406

407

408

409

410

411

412

413

414

415

416

417

418

RD

WT

WT

WT

DRIVE SPEED CONTROL

RD

WT

WT

WT

B+

M1

M2

M1

M2

B-

P5-5

P5-3

P5-2

P5-1

P5-4

P5-5

OR

BN

YL

BL

GN

BK

GY/GR

PL6-6

CR9

VI/RD

PL6-1

PL6-2

BK/RD

CR9

9

VI/RD

PL6-1

PL6-2

BK/RD

CR8

6

VI/BN

PL6-3

PL6-4

VI/PK

PL6-4

PL6-5

PL6-9

PL6-11

WT/BN

WT/BN

WT/BN

WT/BN

WT/BN

WT/BN

WT/BN

WT/BN

WT/BN

WT/BN

WT/BN

WT/BN

WT/BN

WT/BN

WT/BN

WT/BN

WT/BN

WT/BN

WT/BN

WT/BN

WT/BN

WT/BN

WT/BN

WT/BN

WT/BN

WT/BN

WT/BN

WT/BN

WT/BN

WT/BN

WT/BN

WT/BN

WT/BN

WT/BN

WT/BN

WT/BN

WT/BN

LEGEND

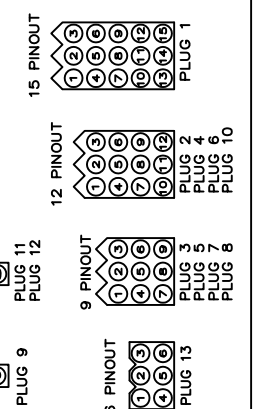
- CR1 - OIL VALVE RELAY TANK A
- CR2 - OIL VALVE RELAY TANK B
- CR3 - POWER OFF RELAY
- CR4 - DUSTER WINDUP MOTOR RELAY
- CR5 - DUSTER UNWIND MOTOR RELAY
- CR6 - SQUEEGEE LIFT MOTOR RELAY
- CR7 - BRUSH LIFT MOTOR RELAY
- CR8 - FORWARD DRIVE MOTOR RELAY
- CR9 - REVERSE DRIVE MOTOR RELAY
- CR10 - BUFFER MOTOR RELAY
- CR11 -
- CR12 -
- CR13 -
- CR14 -
- CR15 -
- CR16 - VACUUM MOTOR RELAY
- CR17 - POWER RELAY

- PL1 - 10-PIN SIDE PLUG (15)
- PL2 - 10-PIN SIDE PLUG (12)
- PL3 - 10-PIN SIDE PLUG (9)
- PL4 - 7-PIN SIDE PLUG (9)
- PL5 - DRIVE SPEED BOARD PLUG (12)
- PL6 - CLEANER PUMP #1 SPEED BOARD PLUG (9)
- PL7 - CLEANER PUMP #2 SPEED BOARD PLUG (9)
- PL8 - BUFFER SPEED BOARD PLUG (12)
- PL9 - BUFFER MOTOR PLUG (5)
- PL10 - BUFFER MOTOR VARIABLE SPEED PLUG (5)
- PL11 - OIL PLATE ASSEMBLY PLUG (6)
- PL12 -
- PL13 -

- FU1 - DRIVE MOTOR 7.5A
- FU2 - BUFFER MOTOR 10A/20A
- FU3 - VACUUM MOTOR 20A
- FU4 - DUSTER UNWIND 3.2A
- FU5 - DUSTER WINDUP 3.2A
- FU6 - SQUEEGEE MOTOR 3.2A
- FU7 - BRUSH LIFT MOTOR 3.2A
- FU8 - HEAD DRIVE MOTOR 2.25A
- FU9 - OIL PUMP MOTOR 2.25A
- FU10 - PLC INPUT POWER/L1 0.5A
- FU11 - PLC OUTPUT COMMON 0.5A
- FU12 - TOUCH SCREEN 0.5A
- FU13 - CLEANER PUMP #1 3.2A
- FU14 - CLEANER PUMP #2 3.2A
- FU15 - CVR POWER 25A/30A
- FU16 - LED LIGHTS 1A
- CP1 - CHARGING PLUG (BLUE)
- CP2 - CHARGING PLUG (BLUE)
- PP1 - POWER PLUG (RED)

- TB1 - TERMINAL BLOCK 1 (MAIN)
- TB2 - TERMINAL BLOCK 2 (10-PIN SIDE)
- TB3 - TERMINAL BLOCK 3 (7-PIN SIDE)
- TB4 - TERMINAL BLOCK 4 (OIL PLATE)

MATERIAL		N/A	
DATE	07/23/13	MODEL	A
SCALE	N/A	DO NOT SCALE DRAWING	
QTY/MACHINE PART NUMBER	C	N/A	ALL 17-57XX MODELS
SCALE	N/A	SHEET	4 OF 25



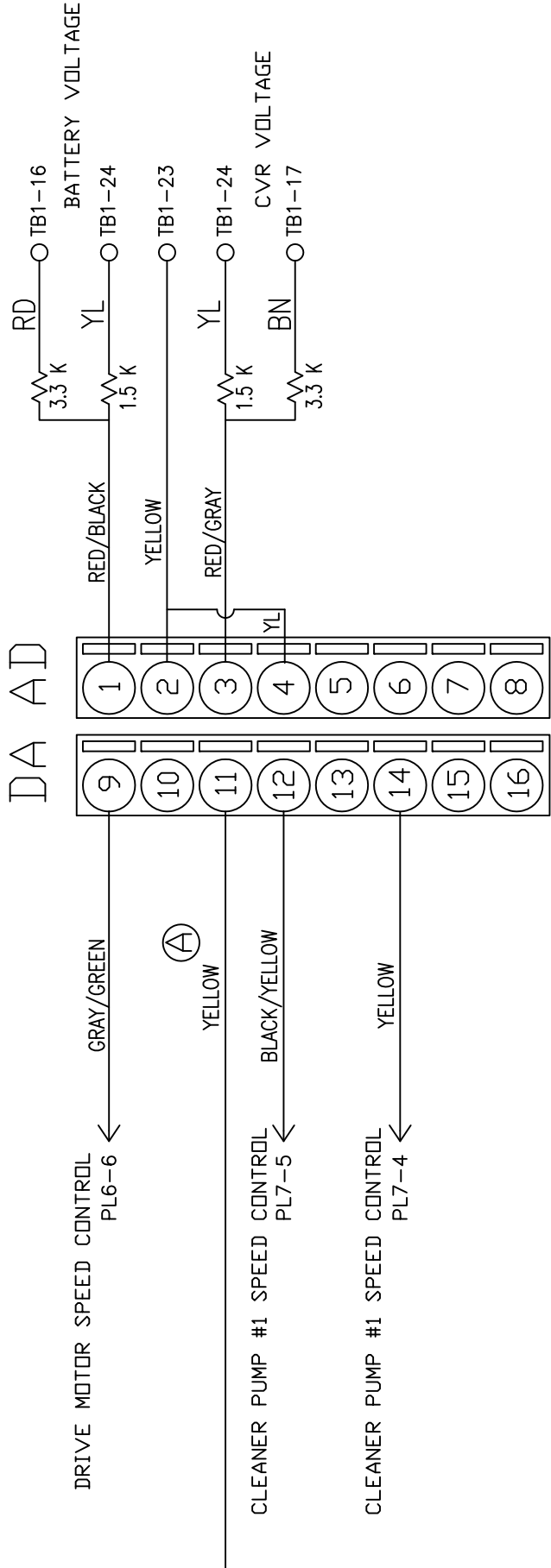
- 15 PINOUT PLUG 1
- 12 PINOUT PLUG 2
- 9 PINOUT PLUG 3
- 6 PINOUT PLUG 13
- 3 PINOUT PLUG 9

1961 LONGLEAF BLVD.
LAKE WALES, FL 33869
(866) 734-0200

DESCRIPTION
SPEED CONTROL SCHEMATIC

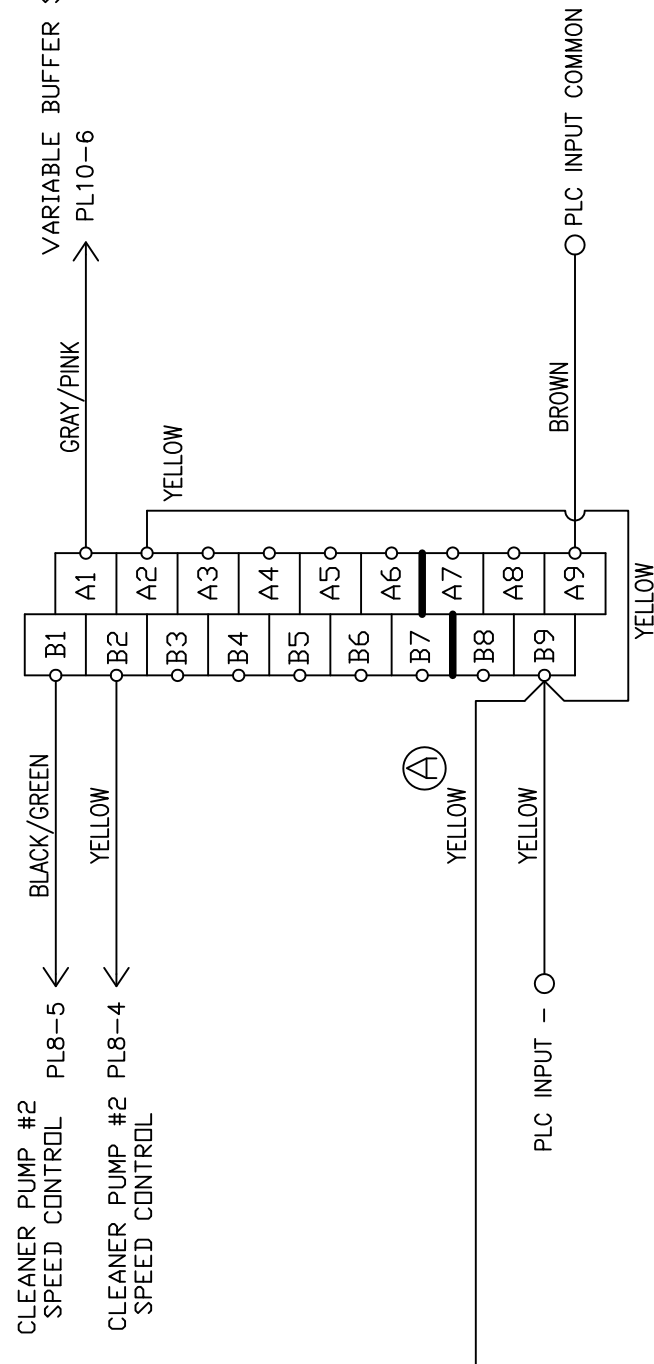
BUILT IN PLC ANALOG

REV	LTR	DATE	DESCRIPTION
A		10/28/14	ADDED YELLOW WIRE E/C# 14310



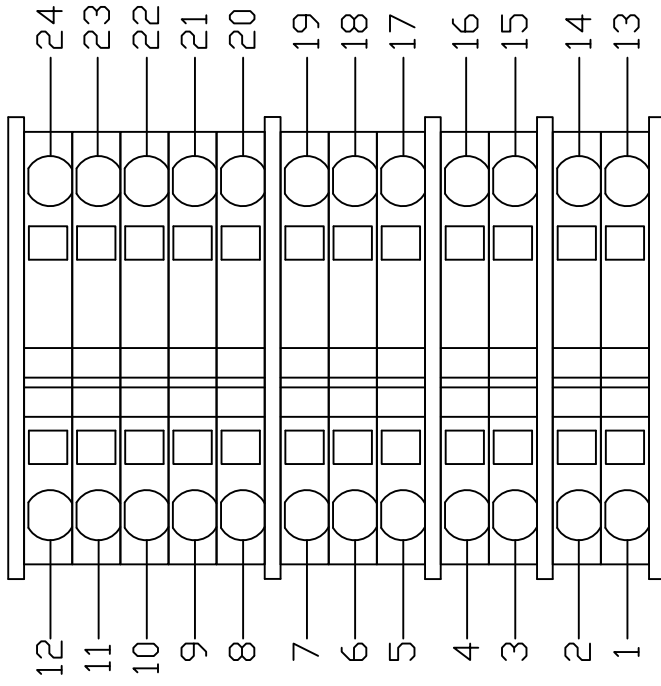
YELLOW

AD021 ANALOG ADD ON UNIT



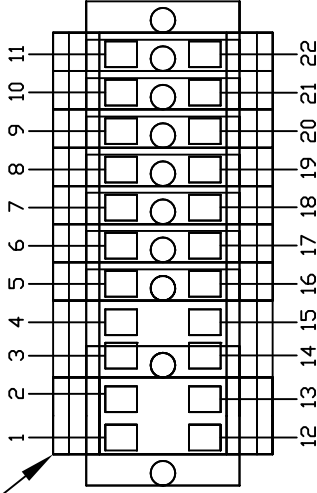
MATERIAL		KEGEL	
NA		1961 LONGLEAF BLVD. LAKE WALKER, FL 33609 (813) 734-0200	
DESCRIPTION			
ANALOG WIRING SCHEMATIC			
DRAWN BY		FLEX MODEL A	
SLS		DO NOT SCALE DRAWING	
DATE		REV DATE	
07/23/13		10/28/14	
APPROVED:		SCALE	
MD		N/A	
REV		SECRET	
A		5	
OF		25	
ALL 17-57XX MODELS			

TB1 <MAIN>



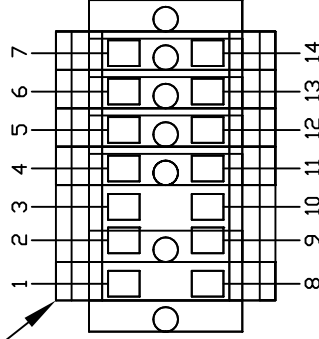
TB2

ORANGE BLOCK
<10-PIN SIDE>



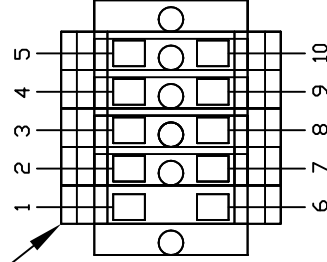
TB3

ORANGE BLOCK
<7-PIN SIDE>



TB4

ORANGE BLOCK
<OIL PLATE>



LEGEND

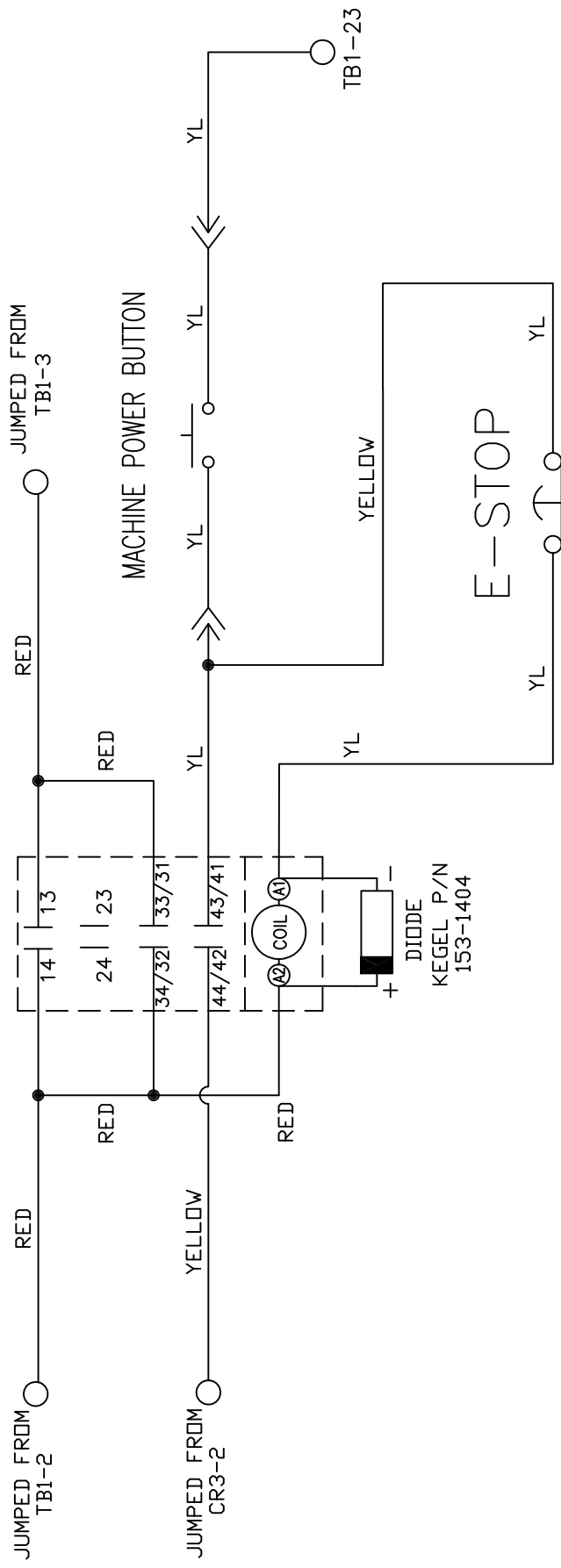
- TB1 - TERMINAL BLOCK 1 (MAIN)
- TB2 - TERMINAL BLOCK 2 (10-PIN SIDE)
- TB3 - TERMINAL BLOCK 3 (7-PIN SIDE)
- TB4 - TERMINAL BLOCK 4 (OIL PLATE)

MATERIAL NA		KEGEL 1961 LONGLEAF BLVD. LAKE WALKER, FL 33669 (813) 734-0200	
DRAWN BY SLS		DESCRIPTION TERMINAL BLOCK LAYOUT	
DATE 07/23/13		FLEX MODEL A	
APPROVED:		DO NOT SCALE DRAWING	
MD	REV	SIZE C	QTY/MACHINE PART NUMBER
SCALE	N/A	ALL 17-57XX MODELS	SECRET 6 OF 25

4 3 2 1

D C B A

POWER RELAY
CR17

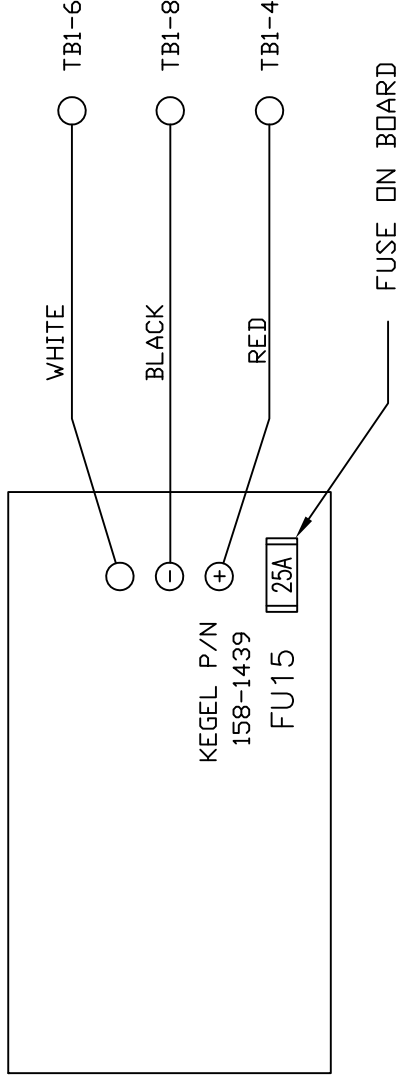


MATERIAL		THE KEGEL CO.		1951 LONGLEAF BLVD. LAKE WALES, FL 33869 (889) 734-0200	
N/A		DESCRIPTION		POWER RELAY WIRING	
DRAWN BY	DATE	FLEX MODEL A		DO NOT SCALE DRAWING	
SLS	07/23/13	SIZE		QTY/MACHINE PART NUMBER	
APPROVED:	REV DATE	A	N/A	ALL 17-57XX MODELS	
MD		SCALE	N/A	SHEET	7 OF 25
DOC REV					

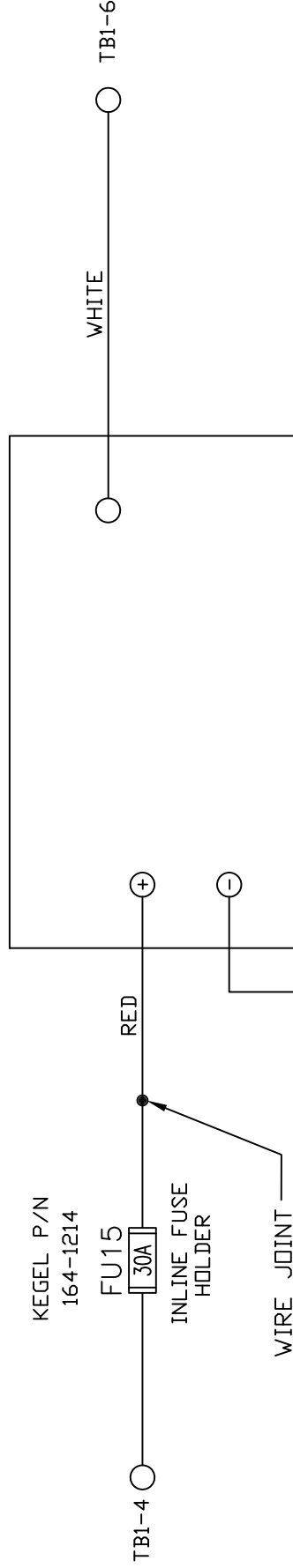
4 3 2 1

D C B A

VOLTAGE REGULATOR



UPGRADED VOLTAGE REGULATOR



MATERIAL		THE KEGEL CO. 1951 LONGLEAF BLVD. LAKE WALES, FL 33859	
N/A		DESCRIPTION	
DRAWN BY SLS		VOLTAGE REGULATOR WIRING	
DATE 07/23/13		FLEX MODEL A	
APPROVED: MD		DO NOT SCALE DRAWING	
REV		SIZE	QTY/MACHINE PART NUMBER
		A	N/A
DOC		SCALE	N/A
REV			ALL 17-57XX MODELS
		SHEET	8 OF 25

4 3 2 1

D C D C

B B

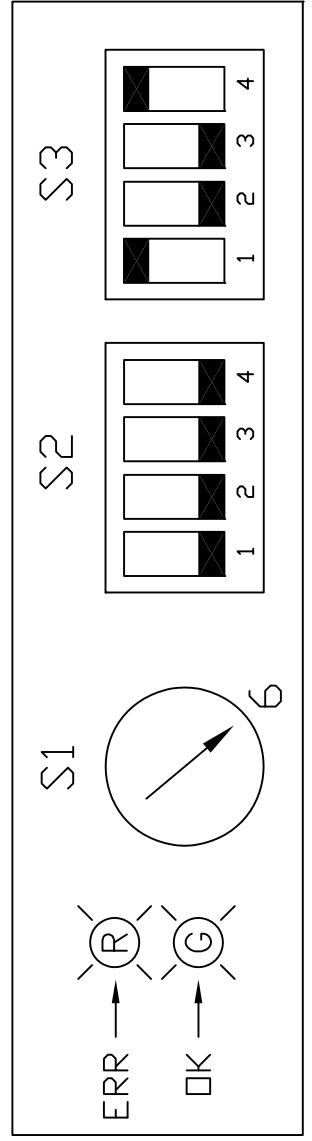
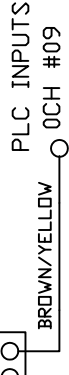
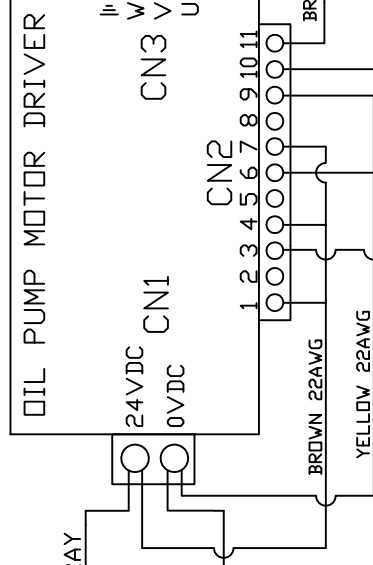
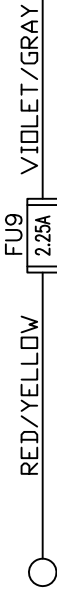
A A

4 3 2 1

OIL PUMP MOTOR



KEGEL P/N
154-1266



MATERIAL		THE KEGEL CO.		1951 LONGLEAF BLVD. LAKE WALES, FL 33859	
N/A		DESCRIPTION		OIL PUMP DRIVER & MOTOR WIRING	
DRAWN BY	DATE	DO NOT SCALE DRAWING		FLEX MODEL A	
SLS	07/23/13	SIZE	QTY/MACHINE	PART NUMBER	
APPROVED:	REV DATE	A	N/A	ALL 17-57XX MODELS	
MD		SCALE	N/A	SHEET	9 OF 25
DOC					
REV					

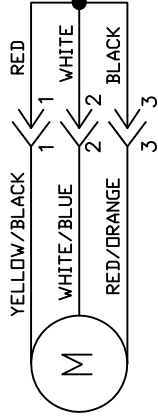
4 3 2 1

D C B A

4 3 2 1

D C B A

OIL HEAD MOTOR



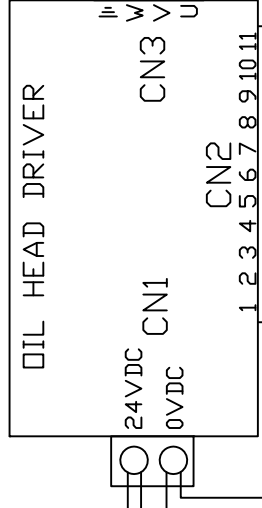
KEGEL P/N
154-1266

JUMPED FROM
OIL PUMP
FUSE

FU9
2.25A
WT/RD

WHITE/RED
PL4-10

SHIELDED
BRAIDED
WIRE



BLACK
PL4-11

SHIELDED
BRAIDED
WIRE

BROWN/YELLOW
PL5-8

BROWN/YELLOW
PL5-8

PLC OUTPUTS
CH100 #05

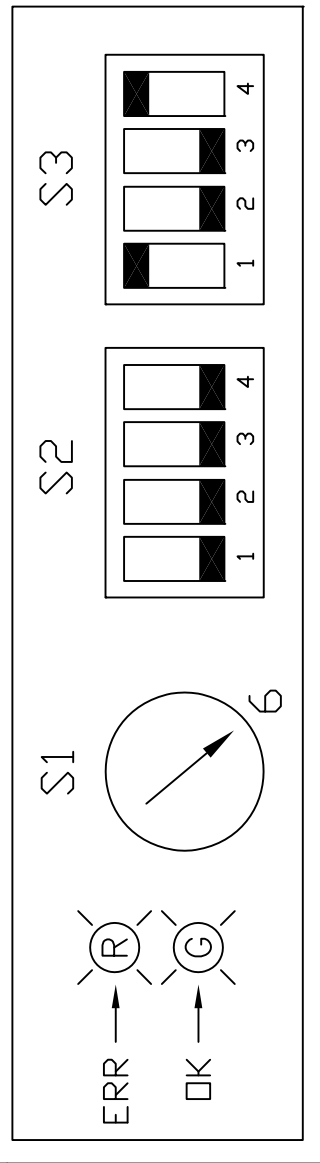
SHIELDED WIRE

WHITE
BLACK

PLC OUTPUTS
CH100 #04

SHIELDED WIRE

SHIELDED WIRE



ERR → (R)
OK → (G)

S1

S2

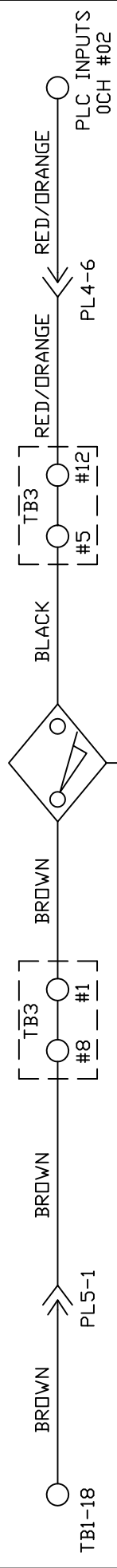
S3

6

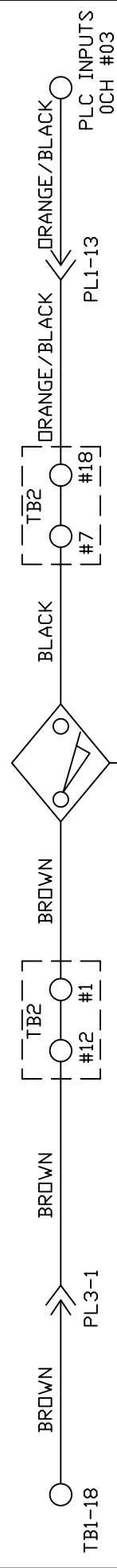
MATERIAL N/A		THE KEGEL CO. (689) 734-0200 1951 LONGLEAF BLVD. LAKE WALES, FL 33869	
DRAWN BY SLS	DATE 07/23/13	DESCRIPTION OIL HEAD DRIVER & MOTOR WIRING	
APPROVED: MD	REV DATE	SIZE A	MODEL A
DOC REV	QTY/MACHINE N/A	DO NOT SCALE DRAWING PART NUMBER	
	SCALE N/A	ALL 17-57XX MODELS	
		SHEET 10	OF 25

4 3 2 1

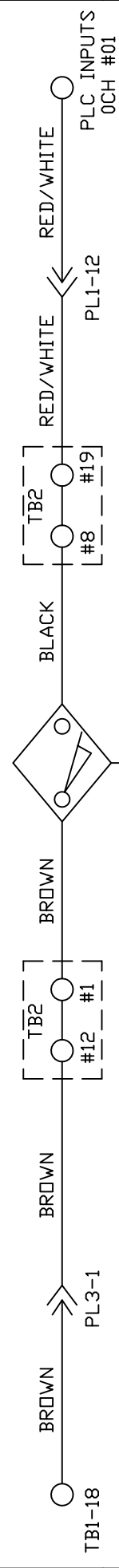
L-R HEAD PROX



R-L HEAD PROX



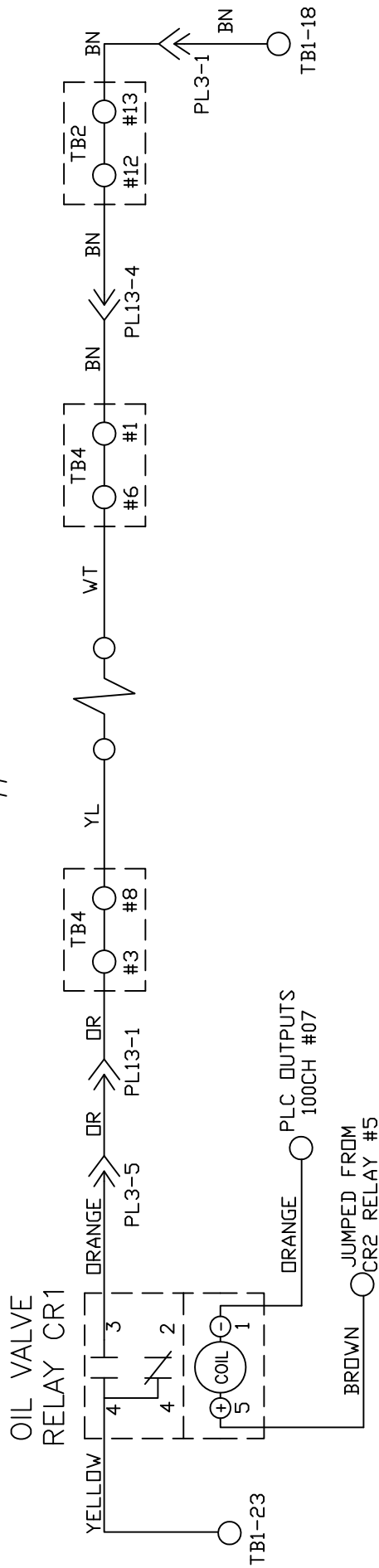
BOARD PROX



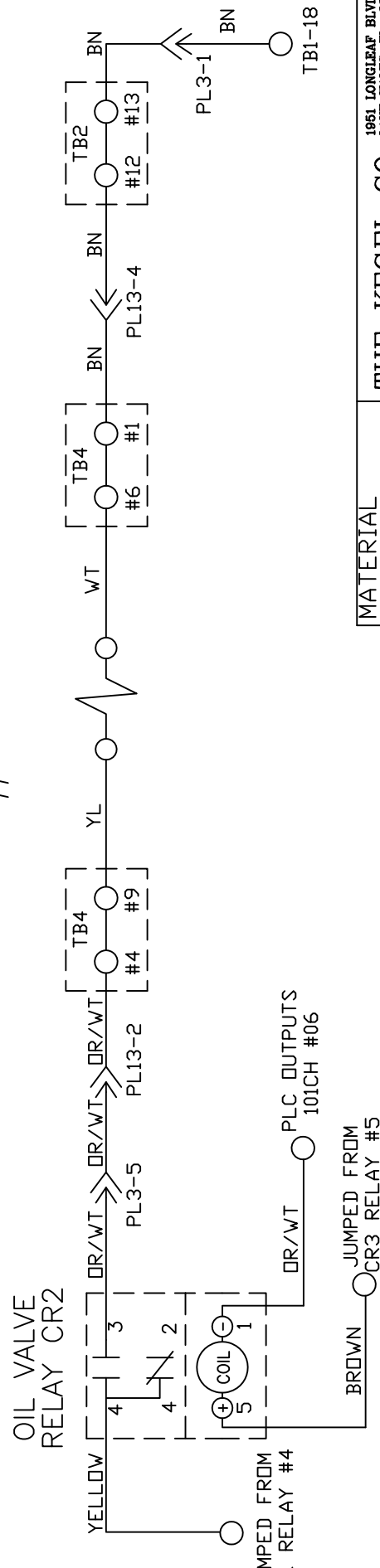
MATERIAL		1951 LONGLEAF BLVD. LAKE WALES, FL 33609	
N/A		THE KEGEL CO.	
DESCRIPTION			
L-R, R-L & BOARD PROX WIRING			
FLEX MODEL A			
DO NOT SCALE DRAWING			
DRAWN BY	DATE	SIZE	QTY/MACHINE PART NUMBER
SLS	07/23/13	A	N/A
APPROVED:	REV DATE	SCALE	N/A
MD			ALL 17-57XX MODELS
DWG REV		SHEET	11 OF 25

4 3 2 1

OIL VALVE #1 -- TANK A



OIL VALVE #2 -- TANK B



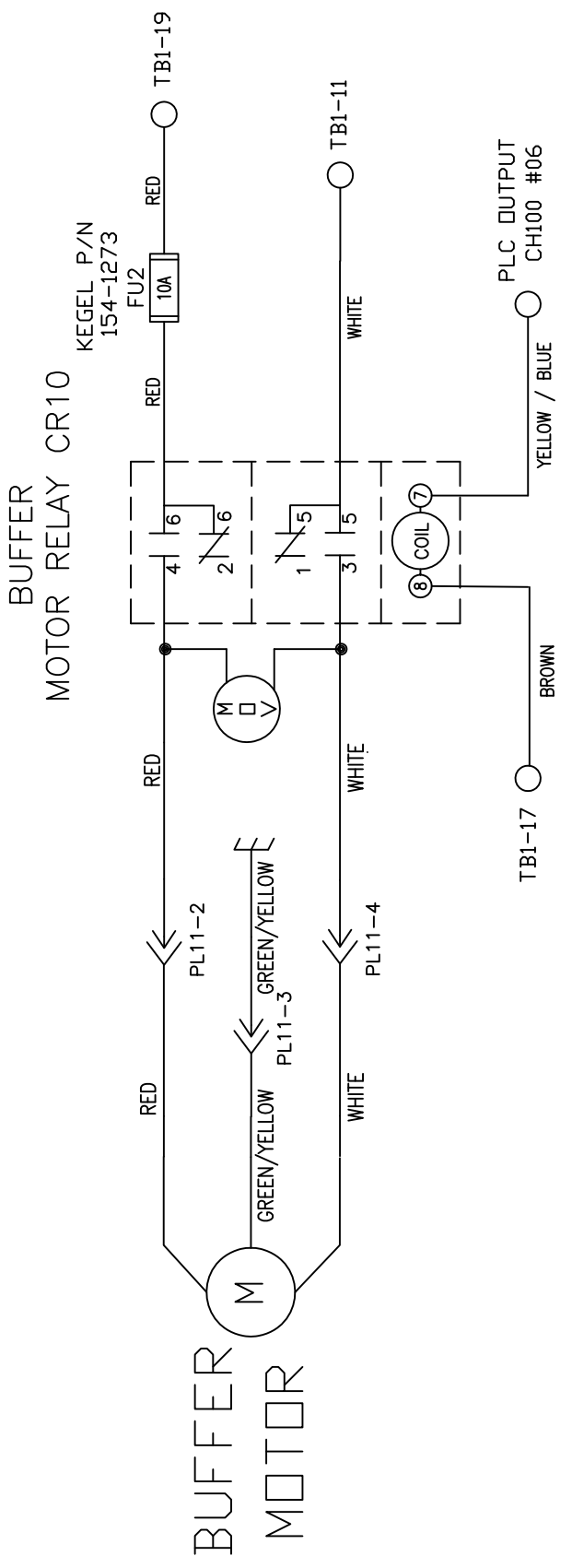
MATERIAL		THE KEGEL CO. 1951 LONGLEAF BLVD. LAKE WALES, FL 33869 (889) 734-0200	
DESCRIPTION	OIL VALVES RELAY WIRING		
DATE	07/23/13		
REV DATE	DO NOT SCALE DRAWING		
SIZE	A	N/A	ALL 17-57XX MODELS
SCALE	N/A	N/A	SHEET 12 OF 25

4 3 2 1

4 3 2 1

4 3 2 1

D C B A



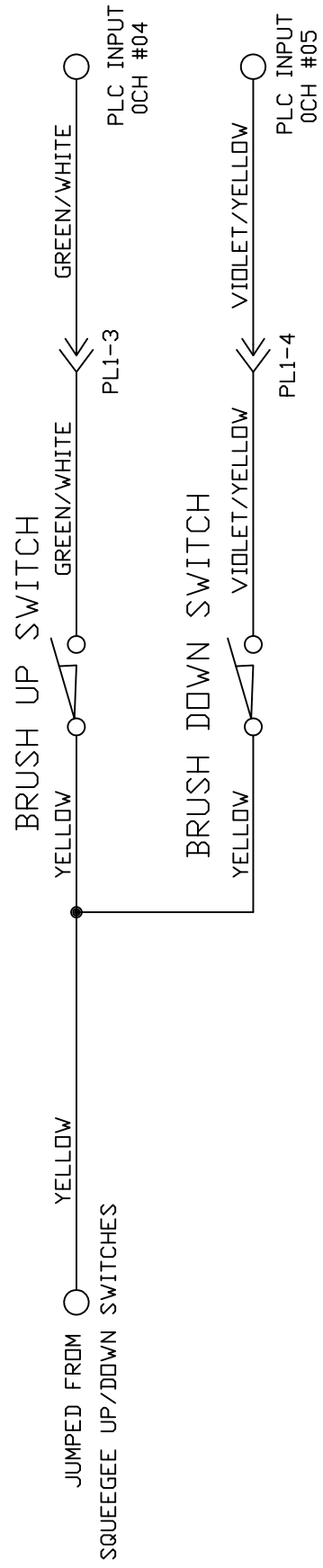
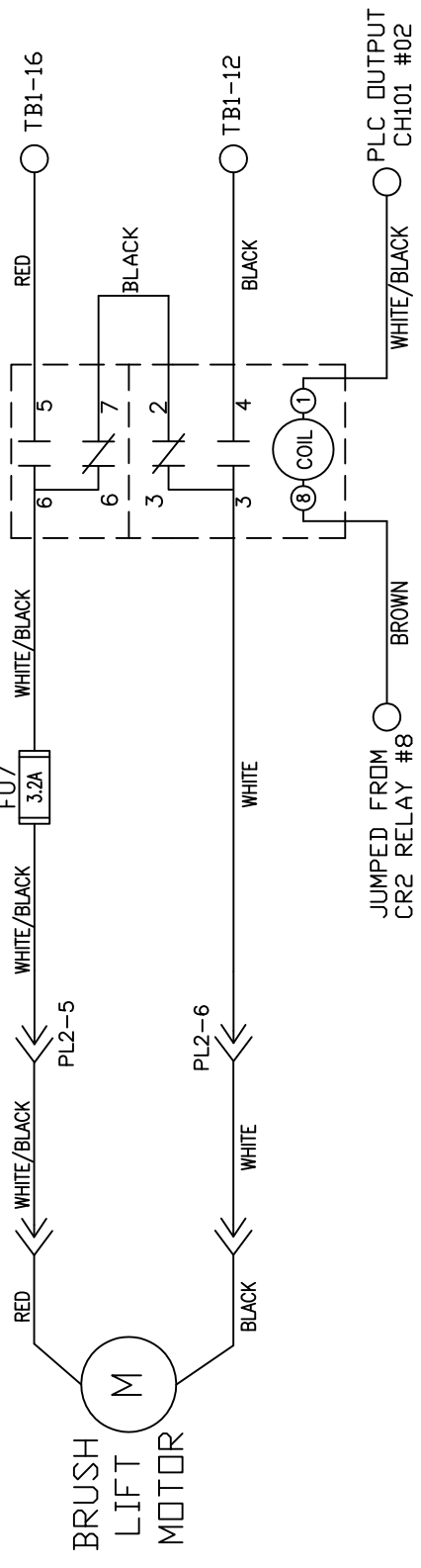
MATERIAL		THE KEGEL CO. 1951 LONGLEAF BLVD. LAKE WALES, FL 33869	
N/A		DESCRIPTION	
DRAWN BY SLS		BUFFER MOTOR WIRING	
DATE 07/23/13		FLEX MODEL A	
APPROVED: MD		DO NOT SCALE DRAWING	
REV		SIZE A	QTY/MACHINE PART NUMBER
2		N/A	ALL 17-57XX MODELS
3		SCALE N/A	SHEET 13 OF 25
4		1	

4 3 2 1

D C B A

BRUSH LIFT MOTOR RELAY CR7

KEGEL P/N
154-1267
FU7
3.2A

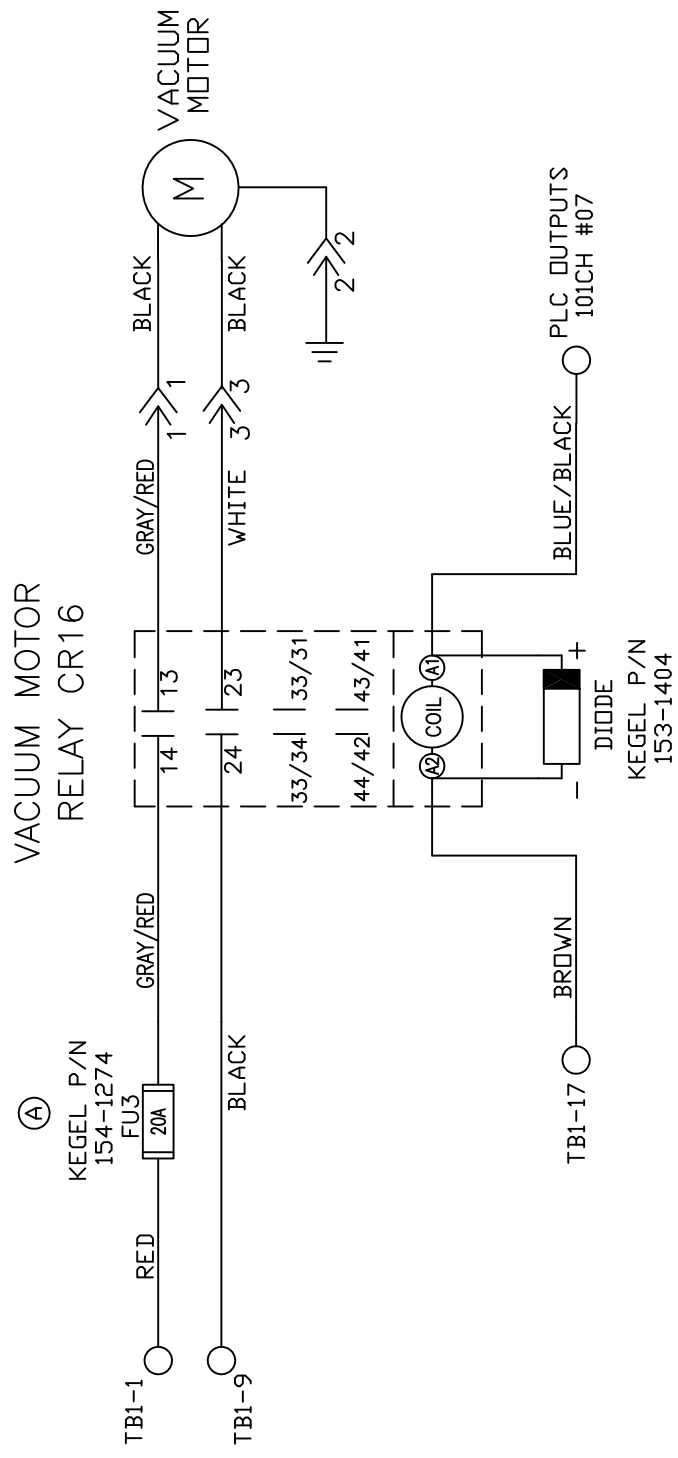


MATERIAL N/A		THE KEGEL CO. 1951 LONGLEAF BLVD. LAKE WALES, FL 33869 (888) 734-0200	
DRAWN BY SLS	DATE 07/23/13	DESCRIPTION BRUSH LIFT MOTOR / SWITCH WIRING	
APPROVED:	REV DATE	SIZE A	MODEL FLEX MODEL A
MD		QTY/MACHINE N/A	DO NOT SCALE DRAWING
DOC REV		SCALE N/A	PART NUMBER ALL 17-57XX MODELS
		SHEET 15	OF 25

4 3 2 1

4 3 2 1

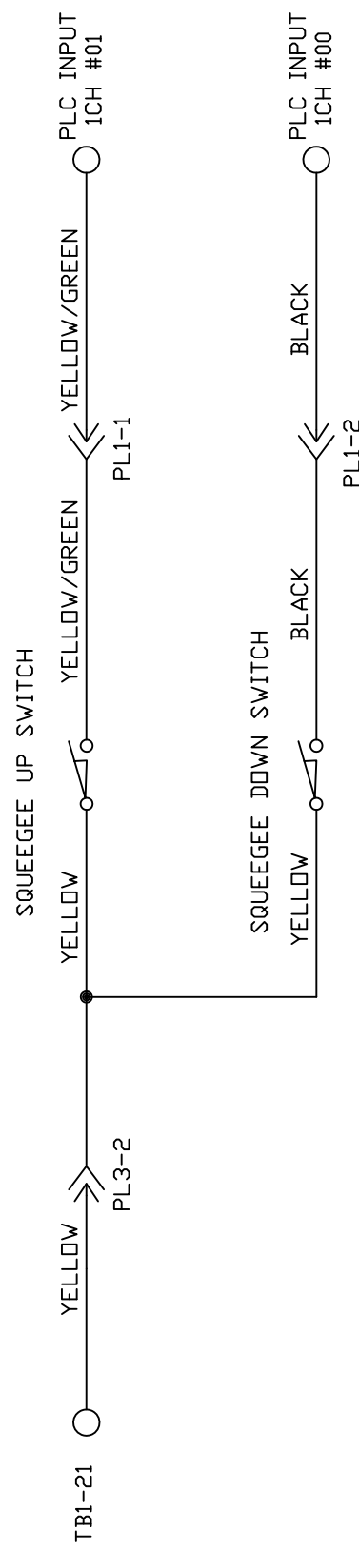
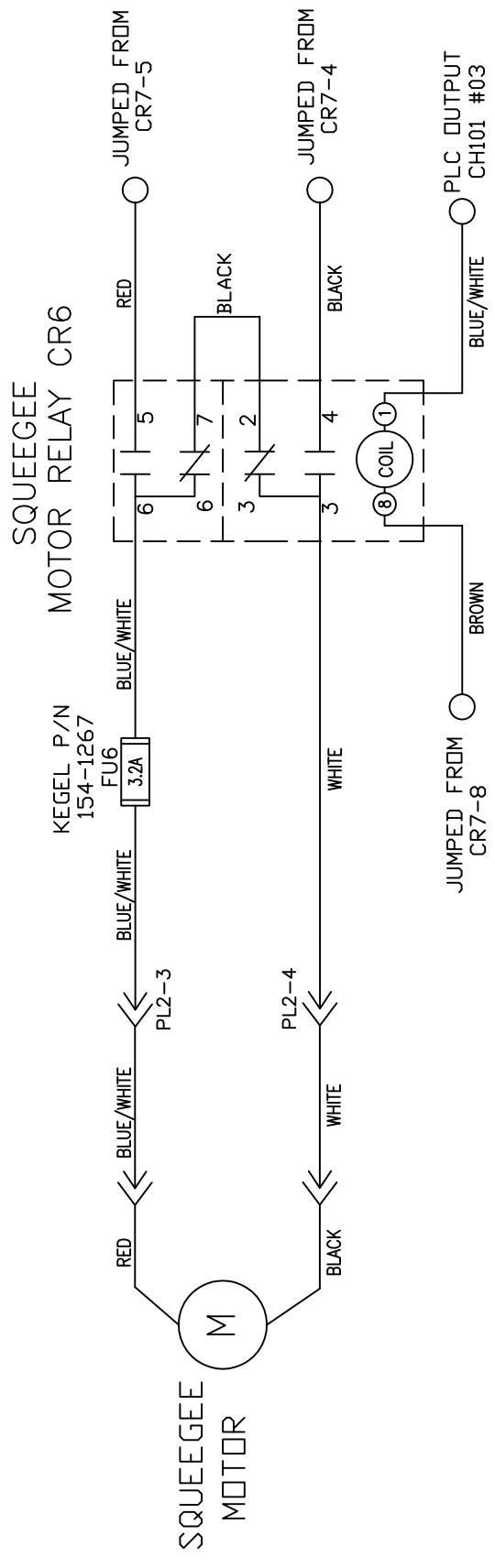
REV	LTR	DATE	DESCRIPTION
A		02/28/14	CHANGED FUSE FROM MDA TO MDL E/C# 14134



MATERIAL	THE KEGEL CO. 1951 LONGLEAF BLVD. LAKE WALES, FL 33859		
	N/A		
DRAWN BY	DATE	DESCRIPTION	
SLS	07/23/13	VACUUM MOTOR WIRING	
APPROVED:	REV DATE	FLEX MODEL A	
MD	02/28/14	DO NOT SCALE DRAWING	
DOC		SIZE	QTY/MACHINE PART NUMBER
REV	A	A	N/A
		SCALE	N/A
			ALL 17-57XX MODLES
		SHEET	16 OF 25

4 3 2 1

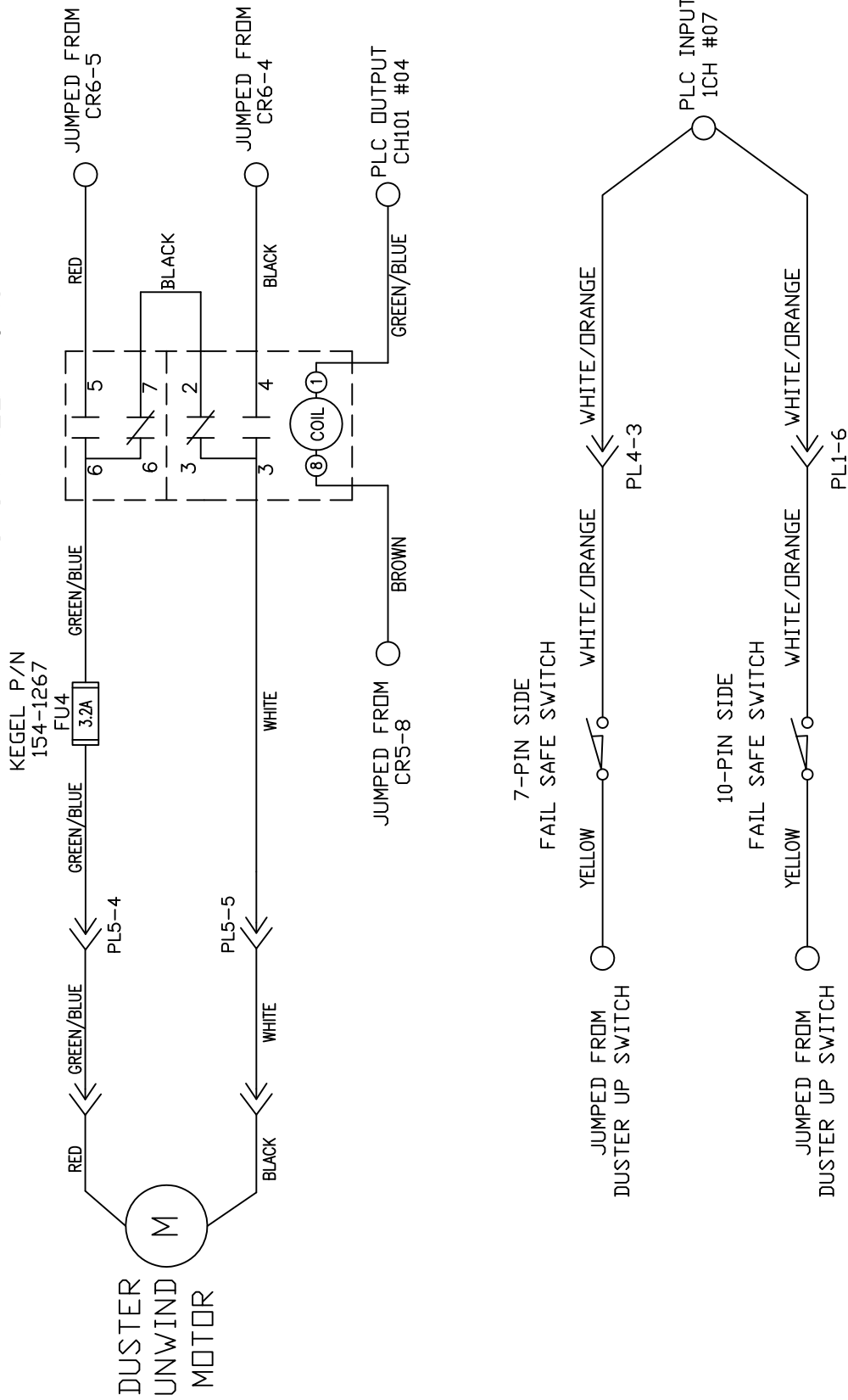
4 3 2 1



MATERIAL		THE KEGEL CO.		1951 LONGLEAF BLVD. LAKE WALES, FL 33869 (888) 734-0200	
N/A		DESCRIPTION		SQUEEGEE MOTOR & SWITCH WIRING	
DRAWN BY	DATE	FLEX MODEL A		DO NOT SCALE DRAWING	
SLS	07/23/13	SIZE		QTY/MACHINE PART NUMBER	
APPROVED:	REV DATE	A	N/A	ALL 17-57XX MODELS	
MD		SCALE	N/A	SHEET	17 OF 25
DWG REV					

4 3 2 1

DUSTER UNWIND MOTOR RELAY CR5



MATERIAL		THE KEGEL CO.		1951 LONGLEAF BLVD. LAKE WALES, FL 33869 (888) 734-0200	
N/A		DESCRIPTION		DUSTER UNWIND / SWITCH WIRING	
DRAWN BY	DATE	FLEX MODEL A		DO NOT SCALE DRAWING	
SLS	07/23/13	SIZE		QTY/MACHINE PART NUMBER	
APPROVED:	REV DATE	A	N/A	ALL 17-57XX MODELS	
MD		SCALE	N/A	SHEET	18 OF 25
DOC REV					

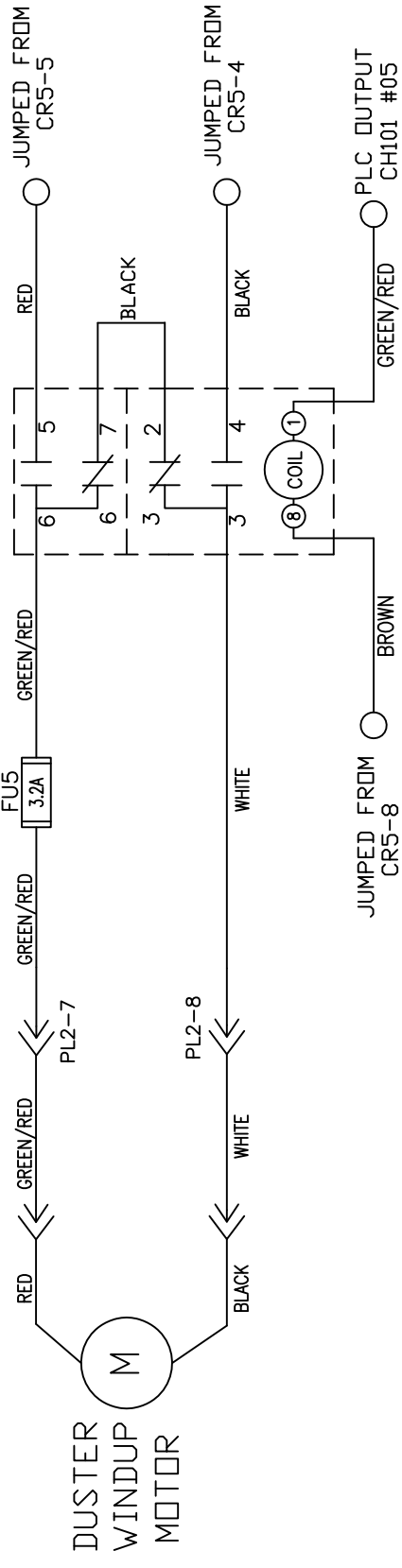
4 3 2 1

4 3 2 1

4 3 2 1

DUSTER WINDUP MOTOR RELAY CR4

KEGEL P/N
154-1267

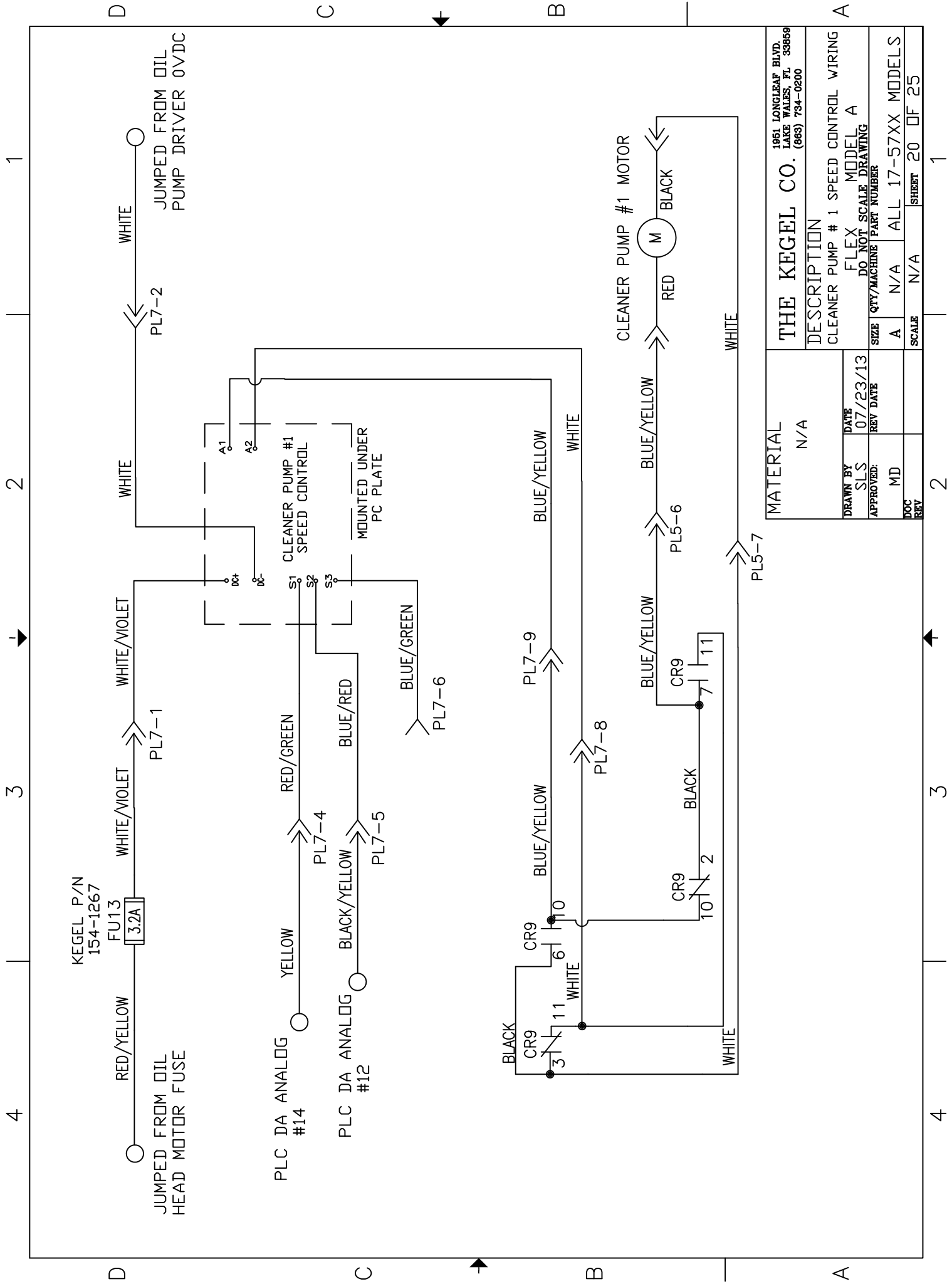


7-PIN SIDE
DUSTER UP SWITCH

10-PIN SIDE
DUSTER UP SWITCH

MATERIAL		THE KEGEL CO.	
N/A		1951 LONGLEAF BLVD. LAKE WALES, FL 33869 (888) 734-0200	
DRAWN BY	DATE	DESCRIPTION	
SLS	07/23/13	DUSTER WINDUP / SWITCH WIRING	
APPROVED:	REV DATE	FLEX MODEL A	
MD		DO NOT SCALE DRAWING	
DOC		SIZE	QTY/MACHINE PART NUMBER
REV		A	N/A ALL 17-57XX MODELS
		SCALE	N/A
			SHEET 19 OF 25

4 3 2 1



MATERIAL		N/A	
DRAWN BY	DATE	DESCRIPTION	
SLS	07/23/13	CLEANER PUMP # 1 SPEED CONTROL WIRING	
APPROVED:	REV DATE	SIZE	DO NOT SCALE DRAWING
MD		QTY/MACHINE	PART NUMBER
DOC		A	N/A
REV		SCALE	N/A
			ALL 17-57XX MODELS
		SHEET	20 OF 25

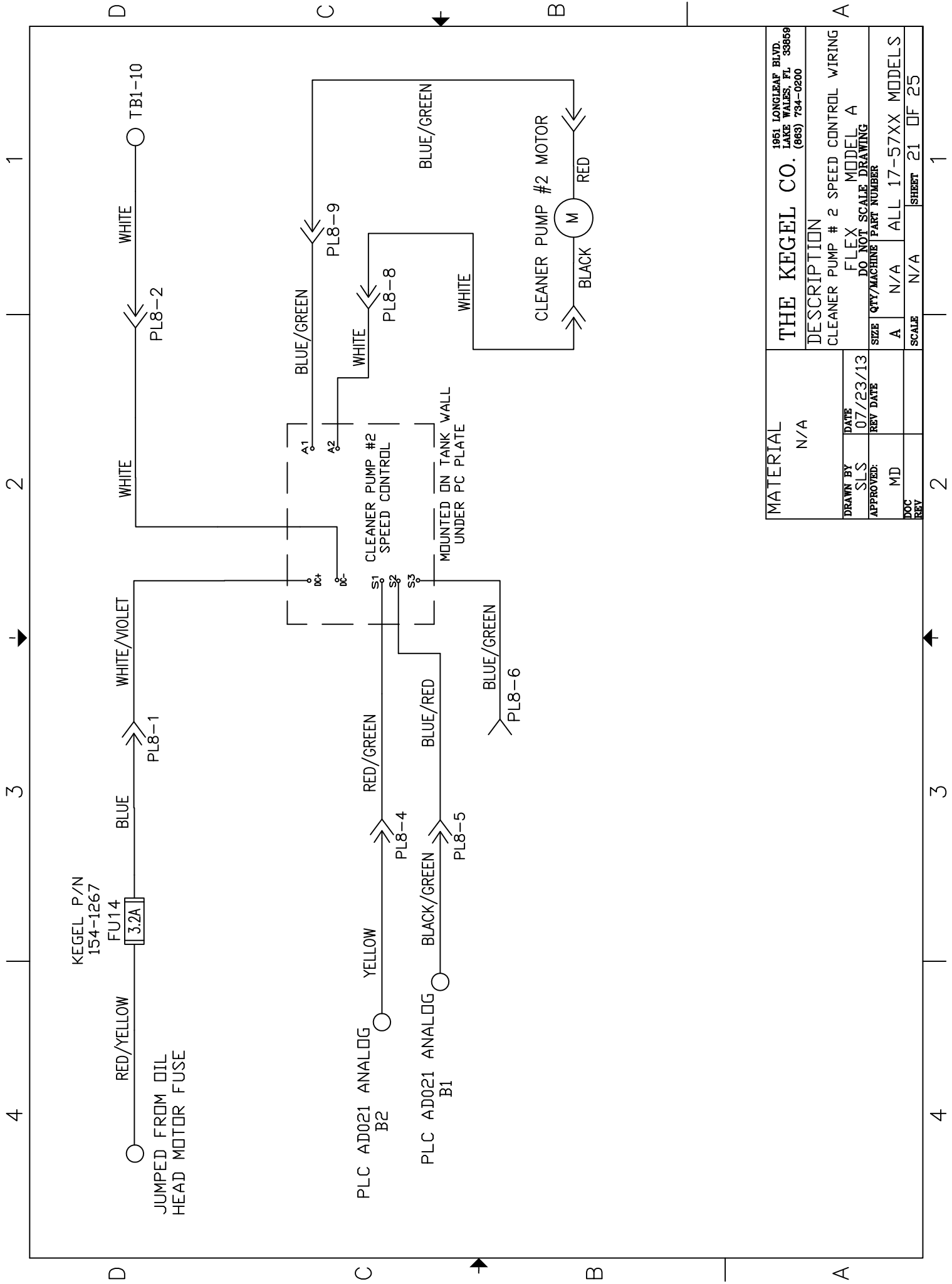
THE KEGEL CO.
 1951 LONGLEAF BLVD.
 LAKE WALES, FL 33869
 (888) 734-0200

D C B A

4 3 2 1

D C B A

4 3 2 1



KEGEL P/N
154-1267

FU14
3.2A

JUMPED FROM OIL
HEAD MOTOR FUSE

PLC AD021 ANALOG
B2

PLC AD021 ANALOG
B1

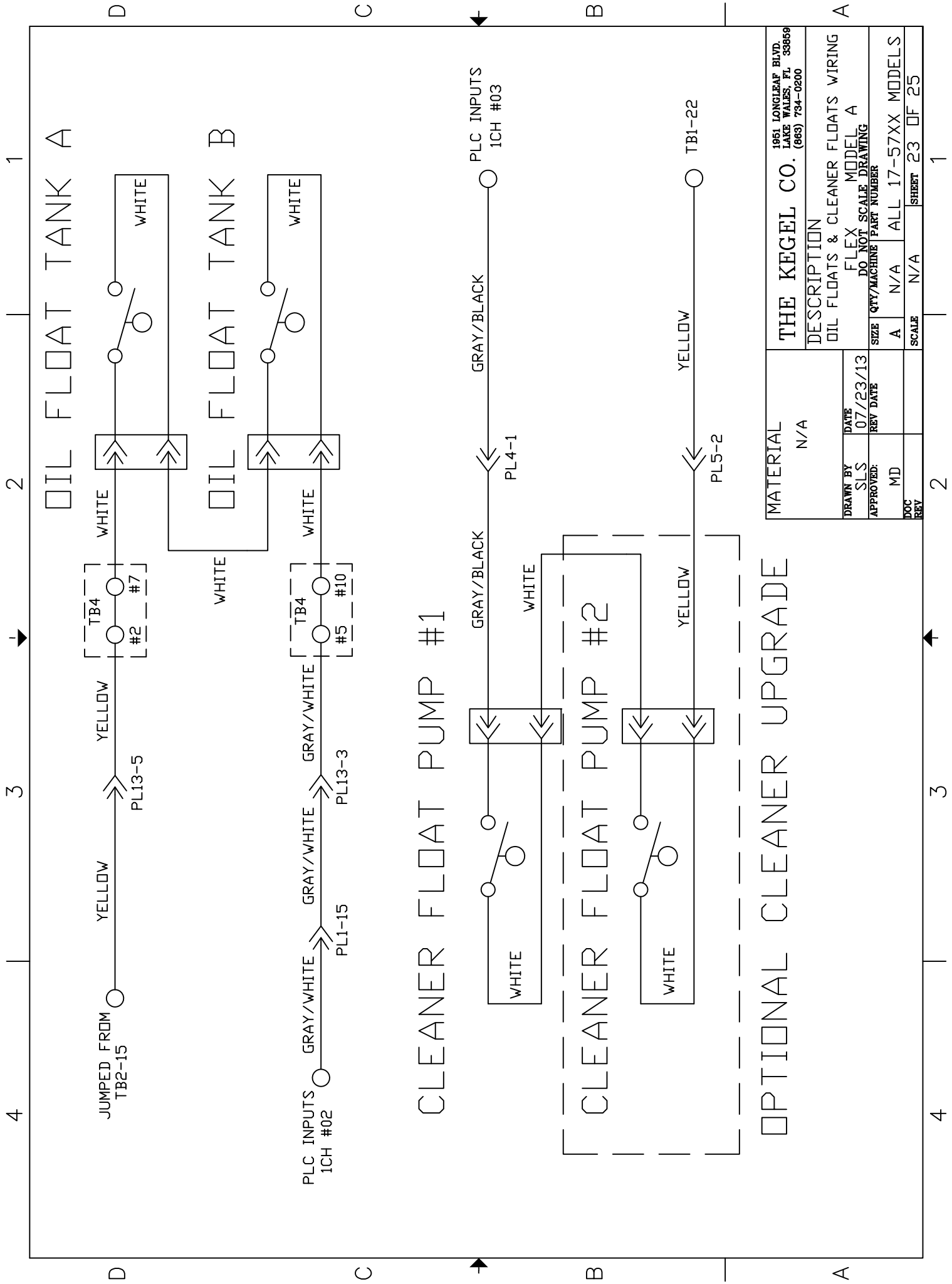
CLEANER PUMP #2
SPEED CONTROL

MOUNTED ON TANK WALL
UNDER PC PLATE

CLEANER PUMP #2 MOTOR

MATERIAL	N/A	
DESCRIPTION	CLEANER PUMP # 2 SPEED CONTROL WIRING	
DRAWN BY	DATE	SCALE
SLS	07/23/13	FLEX MODEL A
APPROVED:	REV DATE	DO NOT SCALE DRAWING
MD		SIZE QTY/MACHINE PART NUMBER
		A N/A ALL 17-57XX MODELS
DOC REV	SCALE	SHEET 21 OF 25
	N/A	

THE KEGEL CO.
1951 LONGLEAF BLVD.
LAKE WALES, FL 33869
(888) 734-0200

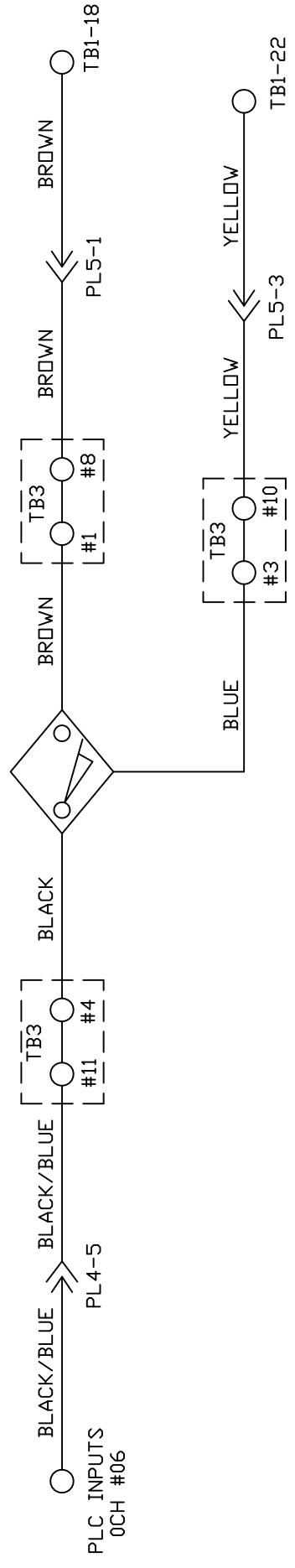


OPTIONAL CLEANER UPGRADE

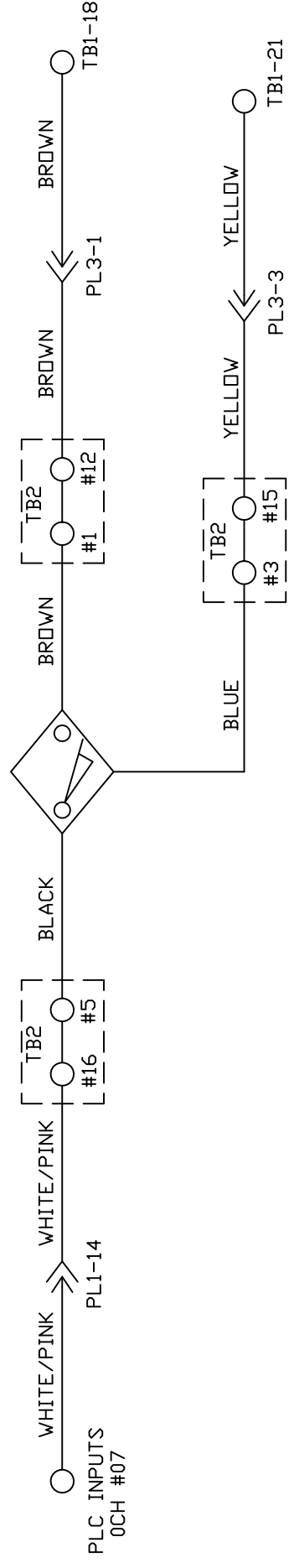
MATERIAL		1951 LONGLEAF BLVD. LAKE WALES, FL 33869	
N/A		THE KEGEL CO. (889) 734-0200	
DRAWN BY	DATE	DESCRIPTION	
SLS	07/23/13	OIL FLOATS & CLEANER FLOATS WIRING	
APPROVED:	REV DATE	FLEX MODEL A	
MD		DO NOT SCALE DRAWING	
DOC		SIZE	QTY/MACHINE PART NUMBER
REV		A	N/A ALL 17-57XX MODELS
		SCALE	N/A
		SHEET	23 OF 25

4 3 2 1

SPEED TACH PROX



LANE DISTANCE PROX



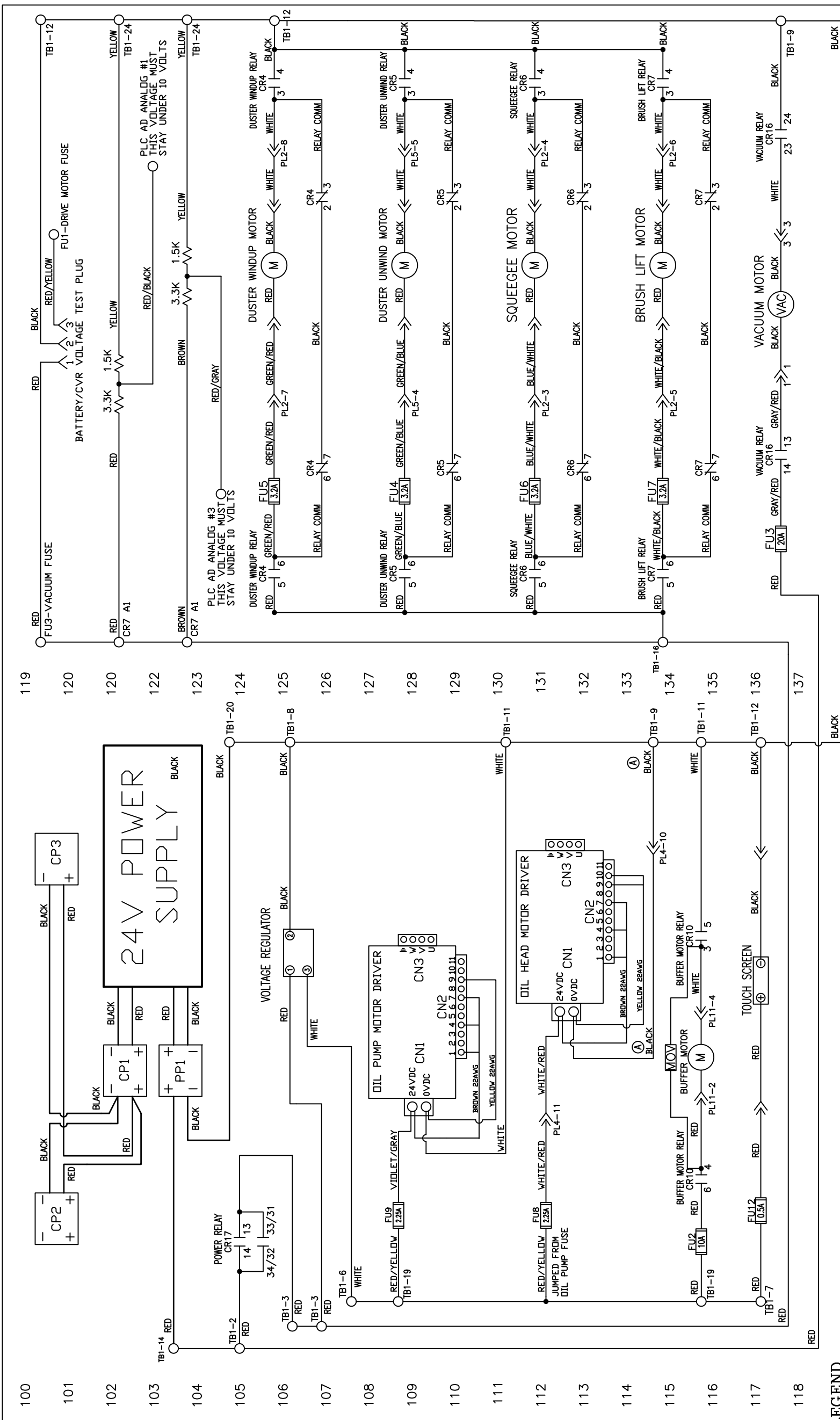
MATERIAL		1951 LONGLEAF BLVD. LAKE WALES, FL 33869	
N/A		THE KEGEL CO. (888) 734-0200	
DRAWN BY	DATE	DESCRIPTION	
SLS	07/23/13	SPEED TACH / LANE DISTANCE WIRING	
APPROVED:	REV DATE	FLEX MODEL A	
MD		DO NOT SCALE DRAWING	
DOC		SIZE	QTY/MACHINE PART NUMBER
REV		A	N/A ALL 17-57XX MODELS
		SCALE	N/A
			SHEET 24 OF 25

4 3 2 1

Flex Walker Wiring Diagrams

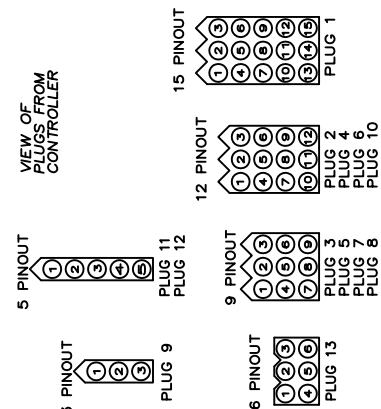
The following diagrams show wiring schematics for the Kustodian Walker. Detailed diagrams for the Ion follow this section. If you have any questions please call 863-734-0200 or email tech@kegel.net .

Flex Walker Motor Wiring Layout	261
Flex Walker Output Wiring Layout.....	262
Flex Walker Input Wiring Layout	263
Flex Walker Speed Control Wiring Layout.....	264
Flex Walker Analog Wiring Layout.....	265
Flex Walker Terminal Block Wiring Layout	266
Flex Walker Power Wiring Layout	267
Flex Walker Voltage Regulator Wiring Layout.....	268
Flex Walker Oil Pump Driver & Motor Wiring Layout.....	269
Flex Walker Oil-Cleaner Head Driver & Motor Wiring Layout	270
Flex Walker L-R & R-L Head Proximity Sensor Wiring Layout.....	271
Flex Walker Oil Valves Wiring Layout	272
Flex Walker Buffer Motor Wiring Layout.....	273
Flex Walker Variable Buffer Wiring Layout.....	274
Flex Walker Brush Lift Motor Wiring Layout.....	275
Flex Walker Vacuum Wiring Layout.....	276
Flex Walker Squeegee Motor & Switch Wiring Layout	277
Flex Walker Duster Unwind Motor & Switch Wiring Layout	278
Flex Walker Duster Windup Motor & Switch Wiring Layout.....	279
Flex Walker Cleaner Pump #1 Wiring Layout.....	280
Flex Walker Cleaner Pump #2 Wiring Layout.....	281
Flex Walker Start Button & Duster Presoak Button Wiring Layout	282
Flex Walker Oil Float & Cleaner Float Wiring Layout.....	283
Flex Walker Speed Tach & LDS Wiring Layout	284
Flex Walker LED Tank Light Wiring Layout.....	285
Flex Walker 7-Pin & 10-Pin Side Approach Distance Sensor Wiring Layout.....	286
Flex Walker Bumper & Whisker Switch Wiring Layout.....	287



LEGEND

- CR1 - OIL VALVE RELAY TANK A
- CR2 - OIL VALVE RELAY TANK B
- CR3 - POWER OFF RELAY
- CR4 - DUSTER WINDUP MOTOR RELAY
- CR5 - DUSTER UNWIND MOTOR RELAY
- CR6 - SQUEEGEE LIFT MOTOR RELAY
- CR7 - BRUSH LIFT MOTOR RELAY
- CR8 - FORWARD DRIVE MOTOR RELAY
- CR9 - REVERSE DRIVE MOTOR RELAY
- CR10 - BUFFER MOTOR RELAY
- CR11 - WHISKER ENABLE RELAY
- CR12 - WHISKER 7 PIN SIDE RELAY
- CR13 - WHISKER 10 PIN SIDE RELAY
- CR14 - ZTR ENABLE RELAY
- CR15 - ZTR REVERSE RELAY
- CR16 - VACUUM MOTOR RELAY
- CR17 - POWER RELAY
- FU1 - DRIVE MOTOR 7.5A
- FU2 - BUFFER MOTOR 10A/20A
- FU3 - VACUUM MOTOR 20A
- FU4 - DUSTER UNWIND 3.2A
- FU5 - DUSTER WINDUP 3.2A
- FU6 - SQUEEGEE MOTOR 3.2A
- FU7 - BRUSH LIFT MOTOR 3.2A
- FU8 - HEAD DRIVE MOTOR 2.25A
- FU9 - OIL PUMP MOTOR 2.25A
- FU10 - PLC INPUT POWER/L1 0.5A
- FU11 - WHISKER COMMON 0.5A
- FU12 - TOUCH SCREEN 0.5A
- FU13 - CLEANER PUMP #1 3.2A
- FU14 - CLEANER PUMP #2 3.2A
- FU15 - CVR POWER 25A/30A
- FU16 - LED LIGHTS 1A
- CP1 - CHARGING PLUG (BLUE)
- CP2 - CHARGING PLUG (BLUE)
- PP1 - POWER PLUG (RED)
- PL1 - 10-PIN SIDE PLUG (15)
- PL2 - 10-PIN SIDE PLUG (12)
- PL3 - 10-PIN SIDE PLUG (9)
- PL4 - 7-PIN SIDE PLUG (12)
- PL5 - 7-PIN SIDE PLUG (9)
- PL6 - DRIVE SPEED BOARD PLUG (12)
- PL7 - CLEANER PUMP #1 SPEED BOARD PLUG (9)
- PL8 - CLEANER PUMP #2 SPEED BOARD PLUG (9)
- PL9 - ZTR DRIVE MOTOR PLUG (3)
- PL10 - BUFFER SPEED BOARD PLUG (12)
- PL11 - BUFFER MOTOR PLUG (5)
- PL12 - BUFFER MOTOR VARIABLE SPEED PLUG (5)
- PL13 - OIL PLATE ASSEMBLY PLUG (6)
- TB1 - TERMINAL BLOCK 1 (MAIN)
- TB2 - TERMINAL BLOCK 2 (10-PIN SIDE)
- TB3 - TERMINAL BLOCK 3 (7-PIN SIDE)
- TB4 - TERMINAL BLOCK 4 (OIL PLATE)
- TB5 - TERMINAL BLOCK 5 (TOP PLC PLATE)



REV	LTR	DATE	DESCRIPTION
A		01/02/14	CHANGED WHITE WIRE TO BLACK E/C# 14101

MATERIAL	DESCRIPTION
N/A	N/A

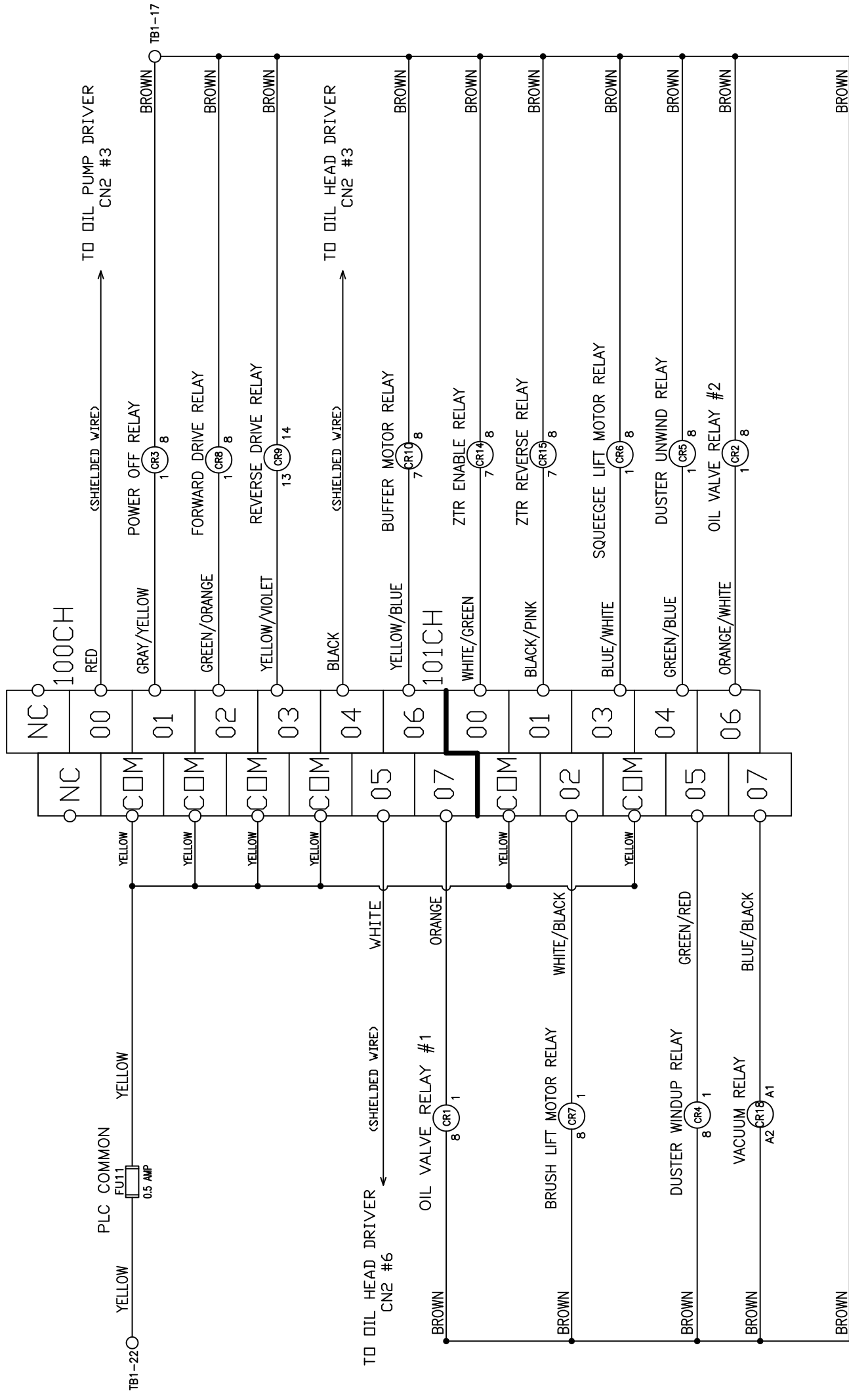
DRAWN BY	DATE	DESCRIPTION
SLS	07/23/13	MOTOR WIRING SCHEMATIC

APPROVED:	REV DATE	MODEL
MD	01/02/14	FLEX WALKER

DOC	REV	SCALE	SHEET	OF
A		N/A	1	27

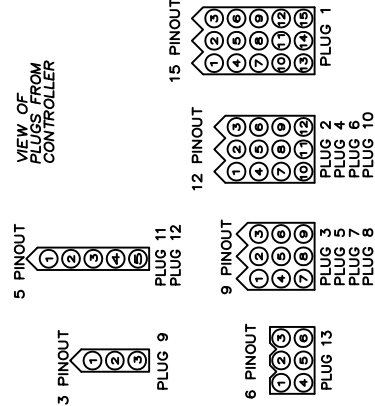
1961 LONGLEAF BLVD.
LAKE WALKER, FL 33859
(866) 784-0200

DMRON
SYSMAC
CPIH
OUTPUTS



LEGEND

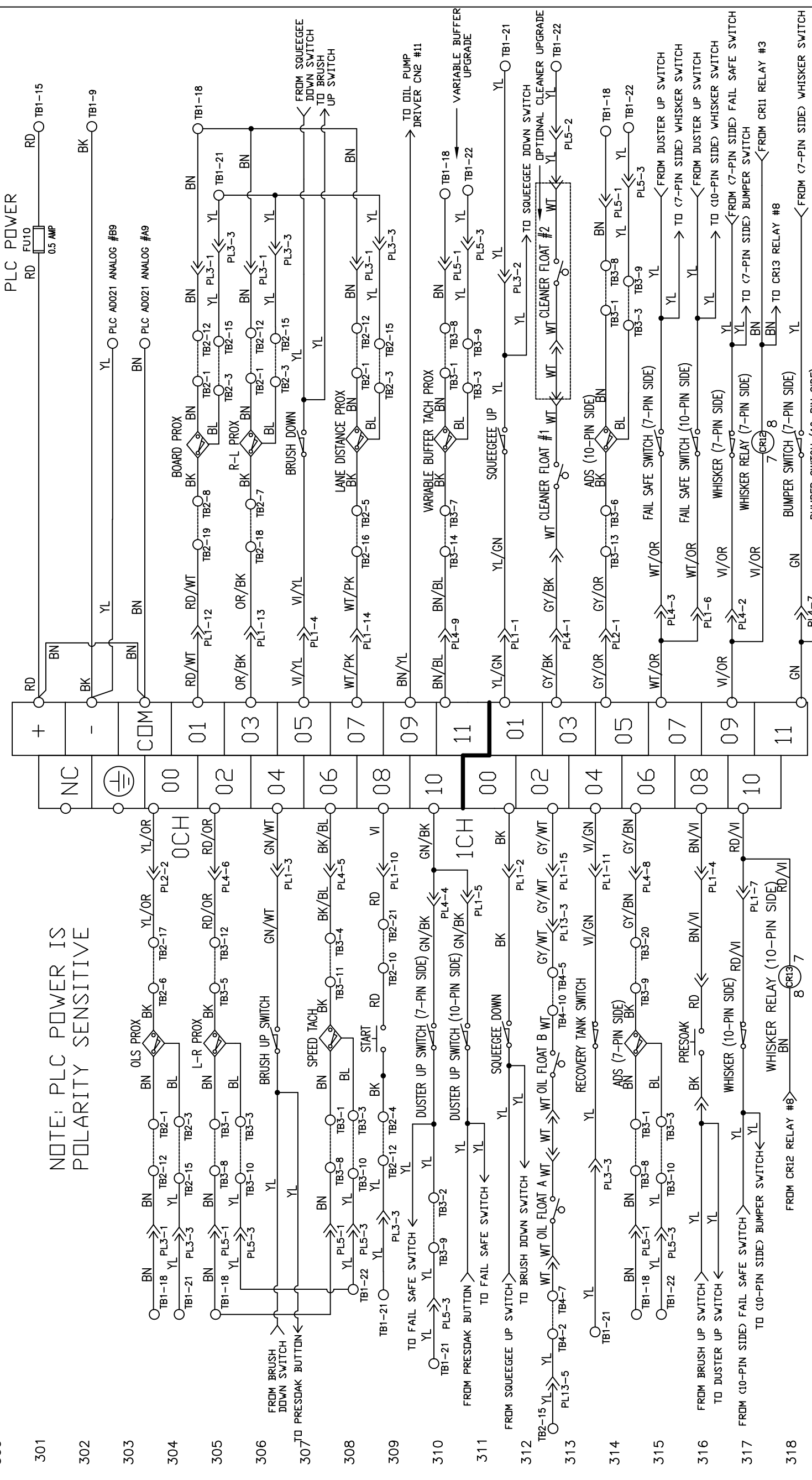
- CR1 - OIL VALVE RELAY TANK A
- CR2 - OIL VALVE RELAY TANK B
- CR3 - POWER OFF RELAY
- CR4 - DUSTER WINDUP MOTOR RELAY
- CR5 - DUSTER UNWIND MOTOR RELAY
- CR6 - SQUEEGEE LIFT MOTOR RELAY
- CR7 - BRUSH LIFT MOTOR RELAY
- CR8 - FORWARD DRIVE MOTOR RELAY
- CR9 - REVERSE DRIVE MOTOR RELAY
- CR10 - BUFFER MOTOR RELAY
- CR11 - WHISKER ENABLE RELAY
- CR12 - WHISKER 7 PIN SIDE RELAY
- CR13 - WHISKER 10 PIN SIDE RELAY
- CR14 - ZTR ENABLE RELAY
- CR15 - ZTR REVERSE RELAY
- CR16 - VACUUM MOTOR RELAY
- CR17 - POWER RELAY
- FU1 - DRIVE MOTOR 7.5A
- FU2 - BUFFER MOTOR 10A/20A
- FU3 - VACUUM MOTOR 20A
- FU4 - DUSTER UNWIND 3.2A
- FU5 - DUSTER WINDUP 3.2A
- FU6 - SQUEEGEE MOTOR 3.2A
- FU7 - BRUSH LIFT MOTOR 3.2A
- FU8 - HEAD DRIVE MOTOR 2.25A
- FU9 - OIL PUMP MOTOR 2.25A
- FU10 - PLC INPUT POWER/L1 0.5A
- FU11 - PLC OUTPUT COMMON 0.5A
- FU12 - TOUCH SCREEN 0.5A
- FU13 - CLEANER PUMP #1 3.2A
- FU14 - CLEANER PUMP #2 3.2A
- FU15 - CVR POWER 25A/30A
- FU16 - LED LIGHTS 1A
- CP1 - CHARGING PLUG (BLUE)
- CP2 - CHARGING PLUG (BLUE)
- PP1 - POWER PLUG (RED)
- PL1 - 10-PIN SIDE PLUG (15)
- PL2 - 10-PIN SIDE PLUG (12)
- PL3 - 10-PIN SIDE PLUG (9)
- PL4 - 7-PIN SIDE PLUG (12)
- PL5 - 7-PIN SIDE PLUG (9)
- PL6 - DRIVE SPEED BOARD PLUG (12)
- PL7 - CLEANER PUMP #1 SPEED BOARD PLUG (9)
- PL8 - CLEANER PUMP #2 SPEED BOARD PLUG (9)
- PL9 - ZTR DRIVE MOTOR PLUG (3)
- PL10 - BUFFER SPEED BOARD PLUG (12)
- PL11 - BUFFER MOTOR PLUG (5)
- PL12 - BUFFER MOTOR VARIABLE SPEED PLUG (5)
- PL13 - OIL PLATE ASSEMBLY PLUG (6)
- TB1 - TERMINAL BLOCK 1 (MAIN)
- TB2 - TERMINAL BLOCK 2 (10-PIN SIDE)
- TB3 - TERMINAL BLOCK 3 (7-PIN SIDE)
- TB4 - TERMINAL BLOCK 4 (OIL PLATE)



MATERIAL		N/A	
DESCRIPTION		KEGEL	
OUTPUT WIRING SCHEMATIC		1951 LONGLEAF BLVD. LAKE WALES, FL 33869 (888) 794-0200	
DRAWN BY	DATE	SIZE	SCALE
SLS	07/23/13	C	N/A
APPROVED:	REV DATE	C	N/A
MD		ALL 17-58XX MODELS	
DOC REV		SCALE	SHEET
		N/A	2 OF 27

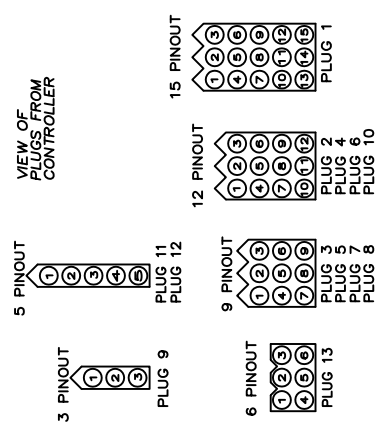
OMRON SYSMAC CP1H INPUTS

NOTE: PLC POWER IS
POLARITY SENSITIVE



LEGEND

- CR1 - OIL VALVE RELAY TANK A
- CR2 - OIL VALVE RELAY TANK B
- CR3 - POWER OFF RELAY
- CR4 - DUSTER UNWIND MOTOR RELAY
- CR5 - DUSTER UNWIND MOTOR RELAY
- CR6 - SQUEEGEE LIFT MOTOR RELAY
- CR7 - BRUSH LIFT MOTOR RELAY
- CR8 - FORWARD DRIVE MOTOR RELAY
- CR9 - REVERSE DRIVE MOTOR RELAY
- CR10 - BUFFER MOTOR RELAY
- CR11 - WHISKER ENABLE RELAY
- CR12 - WHISKER 7 PIN SIDE RELAY
- CR13 - WHISKER 10 PIN SIDE RELAY
- CR14 - ZTR ENABLE RELAY
- CR15 - ZTR REVERSE RELAY
- CR16 - VACUUM MOTOR RELAY
- CR17 - POWER RELAY
- FU1 - DRIVE MOTOR 7.5A
- FU2 - BUFFER MOTOR 10A/20A
- FU3 - VACUUM MOTOR 20A
- FU4 - DUSTER UNWIND 3.2A
- FU5 - DUSTER UNWIND 3.2A
- FU6 - SQUEEGEE MOTOR 3.2A
- FU7 - BRUSH LIFT MOTOR 3.2A
- FU8 - HEAD DRIVE MOTOR 2.25A
- FU9 - OIL PUMP MOTOR 2.25A
- FU10 - PLC INPUT POWER/1.0 0.5A
- FU11 - PLC OUTPUT COMMON 0.5A
- FU12 - TOUCH SCREEN 0.5A
- FU13 - CLEANER PUMP #1 3.2A
- FU14 - CLEANER PUMP #2 3.2A
- FU15 - CVR POWER 25A/30A
- FU16 - LED LIGHTS 1A
- CP1 - CHARGING PLUG (BLUE)
- CP2 - CHARGING PLUG (BLUE)
- PP1 - POWER PLUG (RED)
- PL1 - 10-PIN SIDE PLUG (15)
- PL2 - 10-PIN SIDE PLUG (12)
- PL3 - 10-PIN SIDE PLUG (9)
- PL4 - 7-PIN SIDE PLUG (12)
- PL5 - 7-PIN SIDE PLUG (9)
- PL6 - DRIVE SPEED BOARD PLUG (12)
- PL7 - CLEANER PUMP #1 SPEED BOARD PLUG (9)
- PL8 - CLEANER PUMP #2 SPEED BOARD PLUG (9)
- PL9 - ZTR DRIVE MOTOR PLUG (3)
- PL10 - BUFFER SPEED BOARD PLUG (12)
- PL11 - BUFFER MOTOR PLUG (5)
- PL12 - BUFFER MOTOR VARIABLE SPEED PLUG (5)
- PL13 - OIL PLATE ASSEMBLY PLUG (6)
- TB1 - TERMINAL BLOCK 1 (MAIN)
- TB2 - TERMINAL BLOCK 2 (10-PIN SIDE)
- TB3 - TERMINAL BLOCK 3 (7-PIN SIDE)
- TB4 - TERMINAL BLOCK 4 (OIL PLATE)

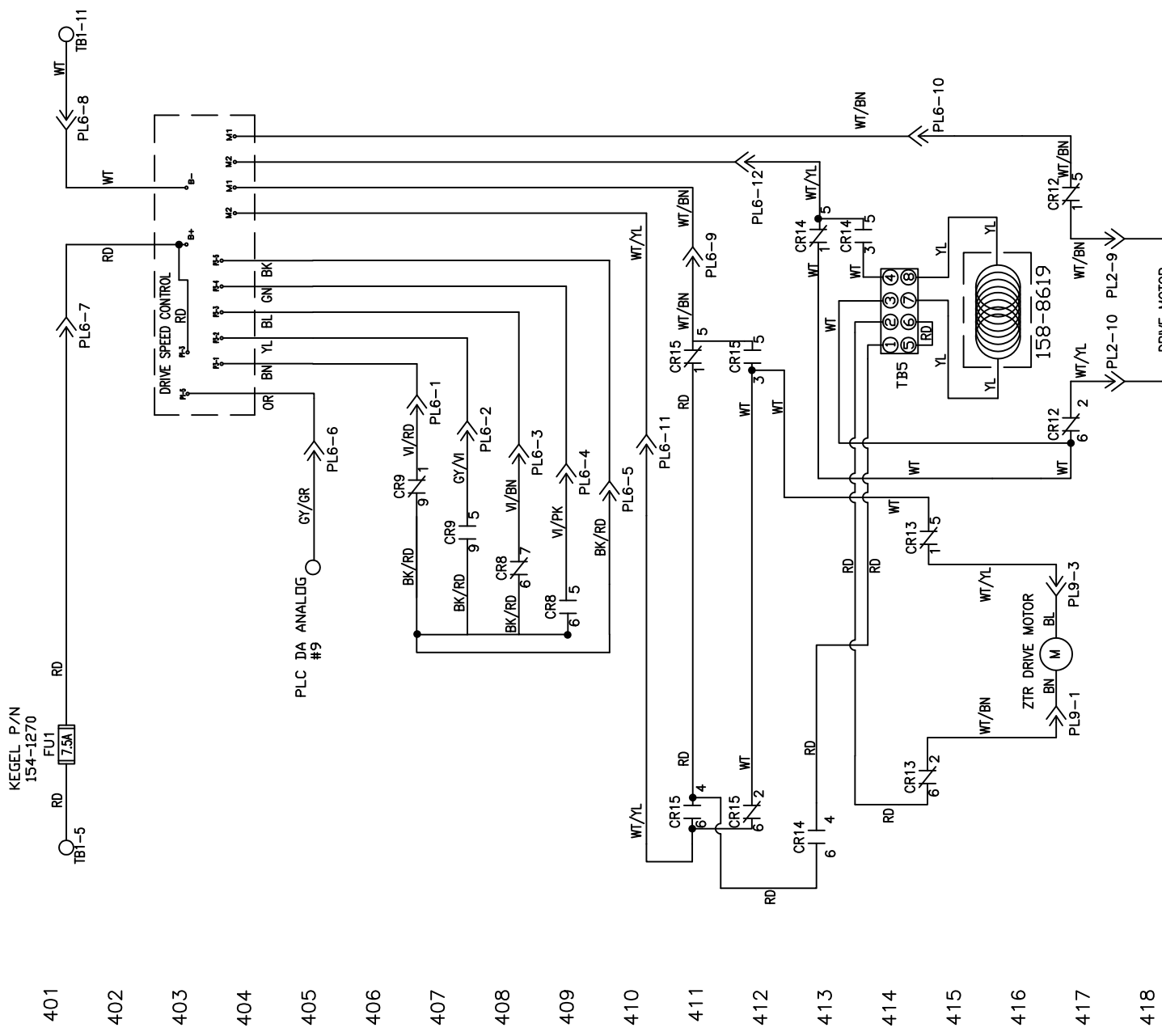


MATERIAL		N/A	
DESCRIPTION		INPUT WIRING SCHEMATIC	
DATE		07/23/13	
APPROVED:		DO NOT SCALE DRAWING	
SIZE	QTY/MACHINE PART NUMBER	SCALE	SHEET
C	ALL 17-58XX MODELS	N/A	3 OF 27

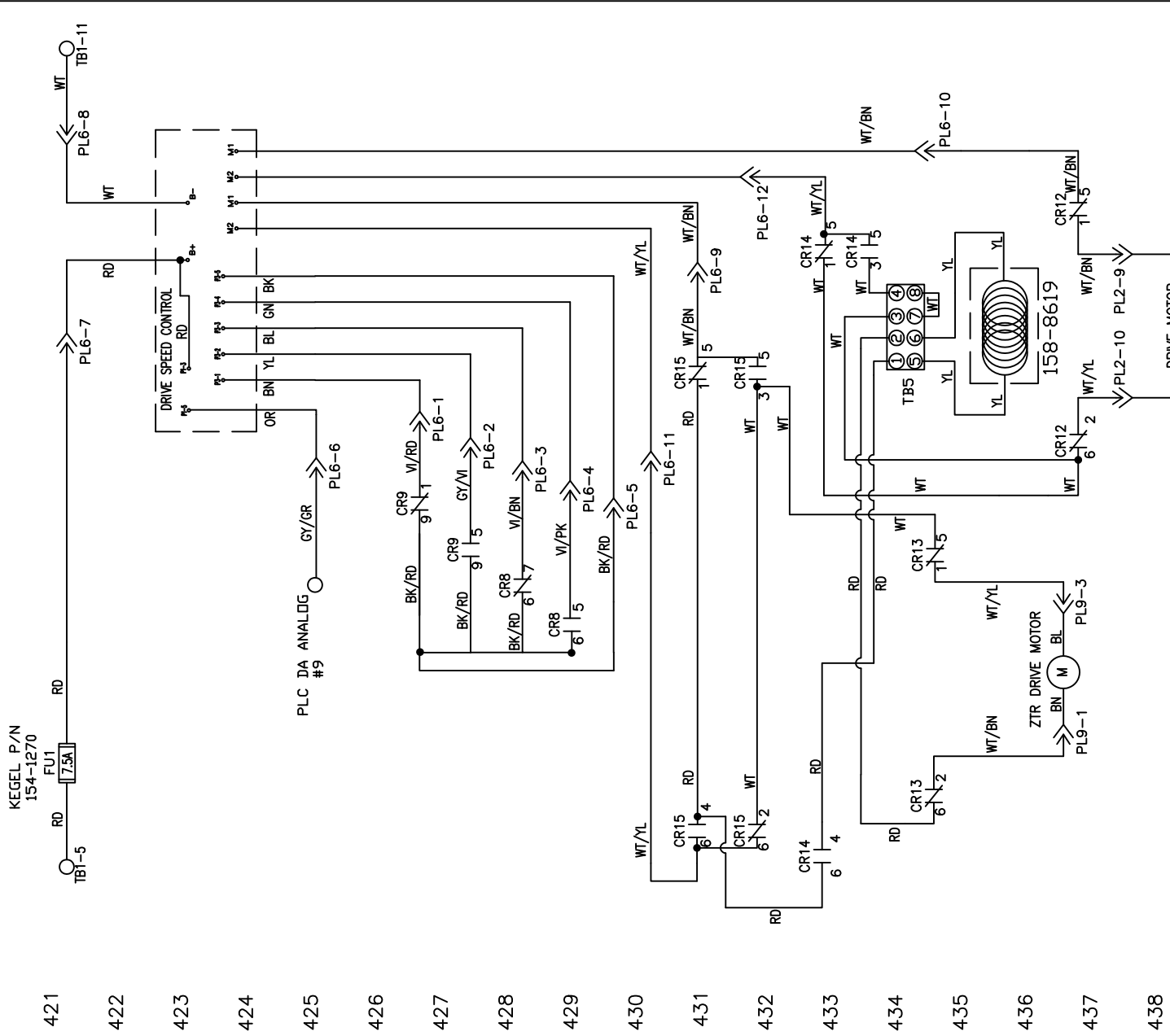
1951 LONGLEAF BLVD.
LAKE WALES, FL. 33869
(888) 784-0200

KEGEL

SCHEMATIC FOR RESISTOR WIRE ON MAIN DRIVE MOTOR



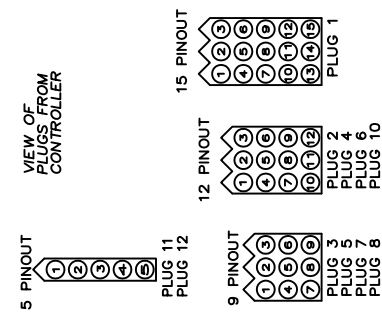
SCHEMATIC FOR RESISTOR WIRE ON ZTR DRIVE MOTOR



- 400 CR1 - OIL VALVE RELAY TANK A
- 401 CR2 - OIL VALVE RELAY TANK B
- 402 CR3 - POWER OFF RELAY
- 403 CR4 - DUSTER WINDUP MOTOR RELAY
- 404 CR5 - DUSTER UNWIND MOTOR RELAY
- 405 CR6 - SQUEEGEE LIFT MOTOR RELAY
- 406 CR7 - BRUSH LIFT MOTOR RELAY
- 407 CR8 - FORWARD DRIVE MOTOR RELAY
- 408 CR9 - REVERSE DRIVE MOTOR RELAY
- 409 CR10 - BUFFER MOTOR RELAY
- 410 CR11 - WHISKER ENABLE RELAY
- 411 CR12 - WHISKER 7 PIN SIDE RELAY
- 412 CR13 - WHISKER 10 PIN SIDE RELAY
- 413 CR14 - ZTR ENABLE RELAY
- 414 CR15 - ZTR REVERSE RELAY
- 415 CR16 - VACUUM MOTOR RELAY
- 416 CR17 - POWER RELAY
- 417 PPI - POWER PLUG (RED)
- 418 CP1 - CHARGING PLUG (BLUE)
- 419 CP2 - CHARGING PLUG (BLUE)
- 420 FU1 - DRIVE MOTOR 7.5A
- 421 FU2 - BUFFER MOTOR 10A/20A
- 422 FU3 - VACUUM MOTOR 20A
- 423 FU4 - DUSTER UNWIND 3.2A
- 424 FU5 - DUSTER WINDUP 3.2A
- 425 FU6 - SQUEEGEE MOTOR 3.2A
- 426 FU7 - BRUSH LIFT MOTOR 3.2A
- 427 FU8 - HEAD DRIVE MOTOR 2.25A
- 428 FU9 - OIL PUMP MOTOR 2.25A
- 429 FU10 - PLC INPUT POWER/L1 0.5A
- 430 FU11 - PLC OUTPUT COMMON 0.5A
- 431 FU12 - TOUCH SCREEN 0.5A
- 432 FU13 - CLEANER PUMP #1 3.2A
- 433 FU14 - CLEANER PUMP #2 3.2A
- 434 FU15 - CVR POWER 25A/30A
- 435 FU16 - LED LIGHTS 1A
- 436 CP1 - CHARGING PLUG (BLUE)
- 437 CP2 - CHARGING PLUG (BLUE)
- 438 PPI - POWER PLUG (RED)

LEGEND

- PL1 - 10-PIN SIDE PLUG (15)
- PL2 - 10-PIN SIDE PLUG (12)
- PL3 - 10-PIN SIDE PLUG (9)
- PL4 - 7-PIN SIDE PLUG (12)
- PL5 - 7-PIN SIDE PLUG (9)
- PL6 - DRIVE SPEED BOARD PLUG (12)
- PL7 - CLEANER PUMP #1 SPEED BOARD PLUG (9)
- PL8 - CLEANER PUMP #2 SPEED BOARD PLUG (9)
- PL9 - ZTR DRIVE MOTOR PLUG (3)
- PL10 - BUFFER SPEED BOARD PLUG (12)
- PL11 - BUFFER MOTOR PLUG (5)
- PL12 - BUFFER MOTOR VARIABLE SPEED PLUG (5)
- PL13 - OIL PLATE ASSEMBLY PLUG (6)
- TB1 - TERMINAL BLOCK 1 (MAIN)
- TB2 - TERMINAL BLOCK 2 (10-PIN SIDE)
- TB3 - TERMINAL BLOCK 3 (7-PIN SIDE)
- TB4 - TERMINAL BLOCK 4 (OIL PLATE)
- TB5 - TERMINAL BLOCK 5 (TOP PLC PLATE)

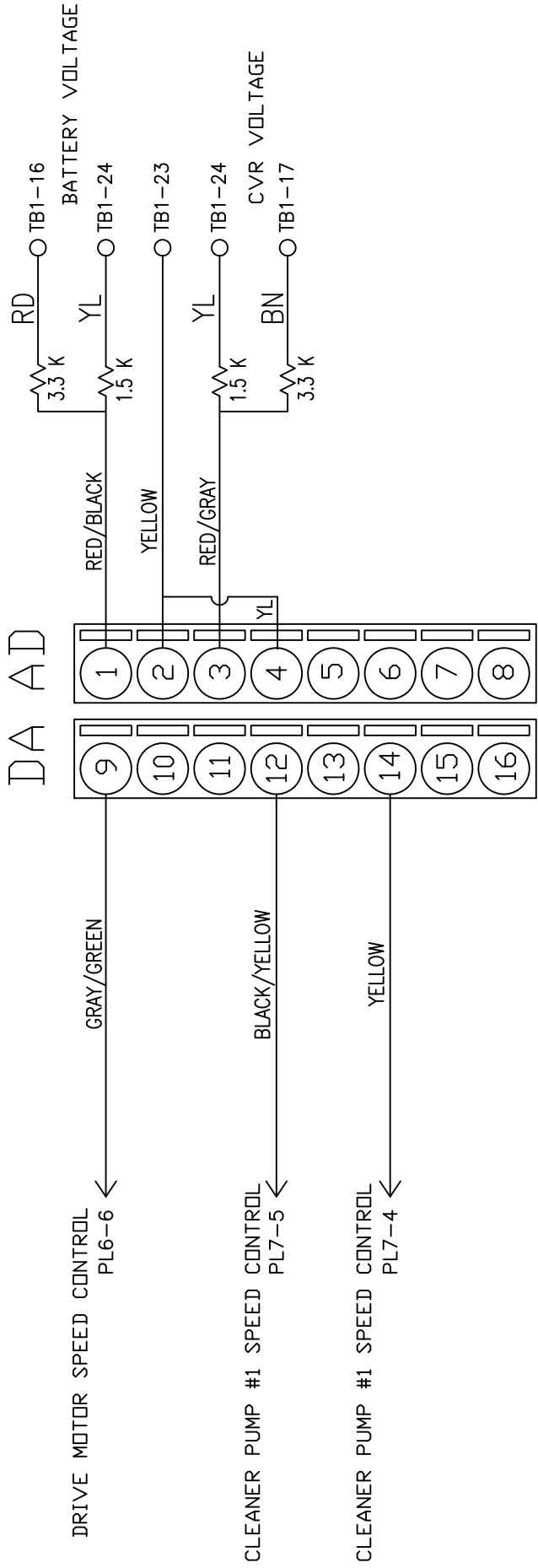


MATERIAL		N/A	
DESCRIPTION		SPEED CONTROL SCHEMATIC	
DRAWN BY		DATE	
SLS		07/23/13	
APPROVED:		REV DATE	
MD		C	
DOC		SCALE	
REV		N/A	
SHEET		4	
OF		27	

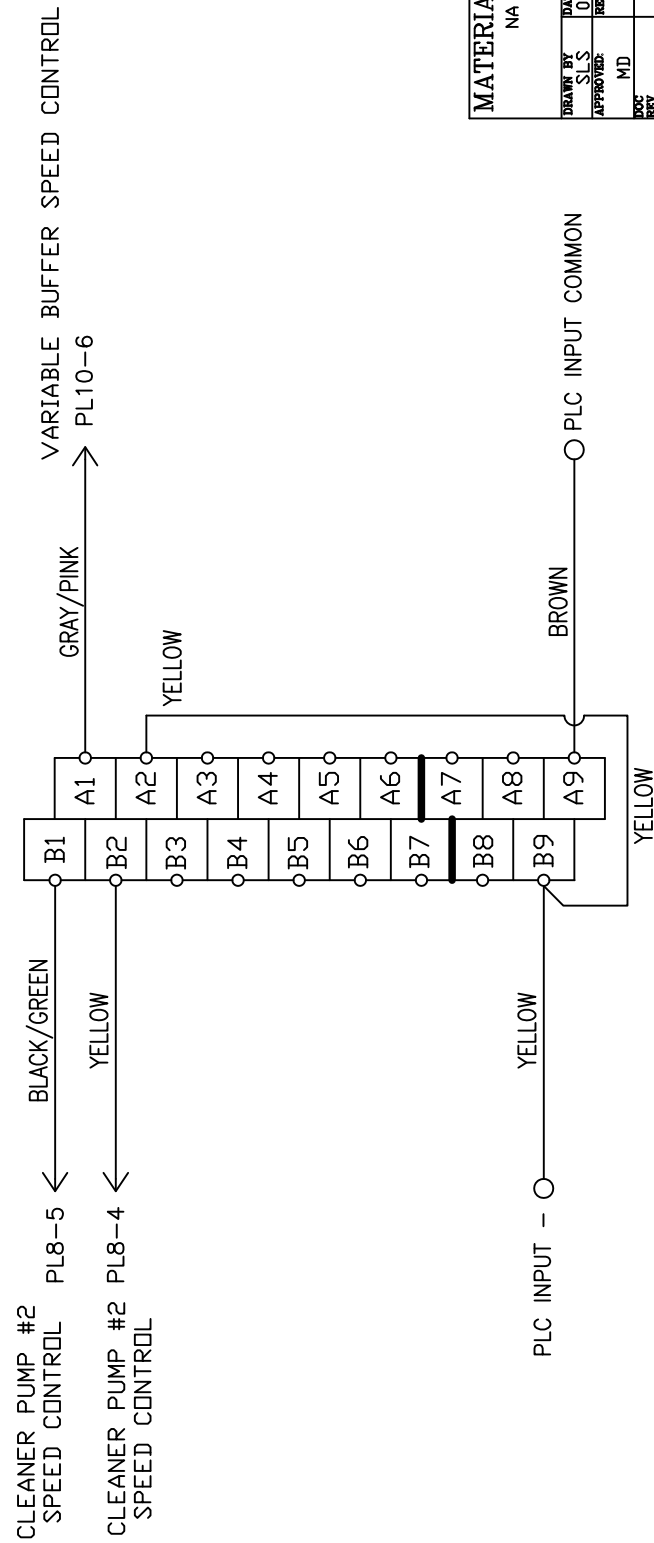
1961 LONGLEAF BLVD.
LAKE WALES, FL 33669
(866) 734-0200

KEGEL
FLEX WALKER
MODEL A
DO NOT SCALE DRAWING
QTY/MACHINE PART NUMBER
N/A
ALL 17-58XX MODELS

BUILT IN PLC ANALOG

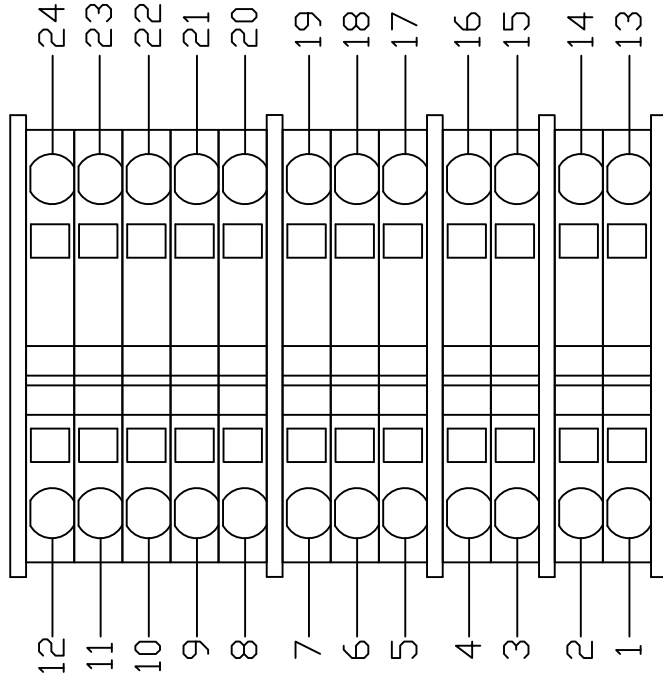


AD021 ANALOG ADD ON UNIT



1961 LONGLEAF BLVD. LAKE WALKER, FL 33669 (813) 734-0200	
MATERIAL	KEGEL
DESCRIPTION	ANALOG WIRING SCHEMATIC
DATE	FLEX MODEL A
DRAWN BY	SLS
APPROVED:	DO NOT SCALE DRAWING
REV DATE	07/23/13
MD	
SCALE	N/A
REV	5
SECRET	5
ALL 17-58XX MODELS	OF 27

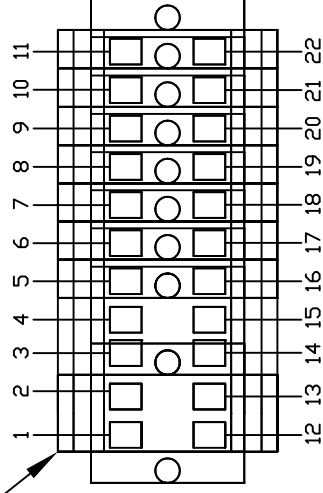
TB1 (MAIN)



TB2

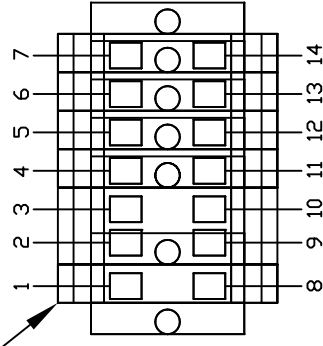
<10-PIN SIDE>

ORANGE
BLOCK



TB3

ORANGE
BLOCK
<7-PIN SIDE>



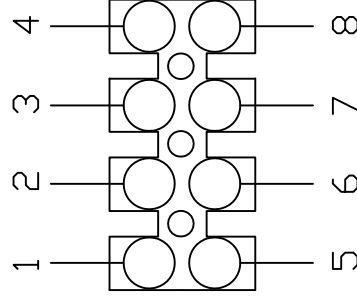
TB4

ORANGE
BLOCK
<OIL PLATE>



TB5

<TOP PLC PLATE>



LEGEND

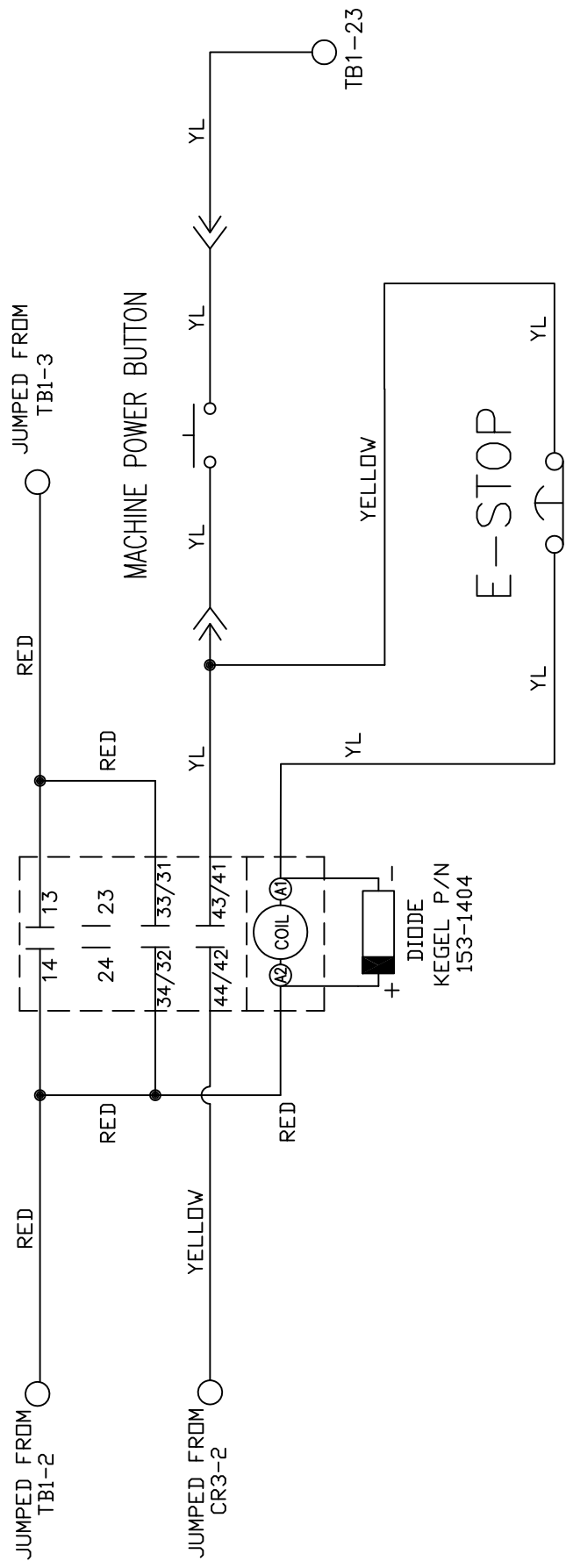
- TB1 - TERMINAL BLOCK 1 (MAIN)
- TB2 - TERMINAL BLOCK 2 (10-PIN SIDE)
- TB3 - TERMINAL BLOCK 3 (7-PIN SIDE)
- TB4 - TERMINAL BLOCK 4 (OIL PLATE)
- TB5 - TERMINAL BLOCK 5 (TOP PLC PLATE)

MATERIAL NA		KEGEL		1961 LONGLEAF BLVD. LAKE WALKER, FL 33669 (813) 734-0200	
DRAWN BY SLS		DATE 07/23/13		DESCRIPTION TERMINAL BLOCK LAYOUT	
APPROVED:		REV DATE		FLEX WALKER MODEL A	
EPC REV		M.D.		DO NOT SCALE DRAWING	
REV		M.D.		SIZE QTY/MACHINE PART NUMBER	
REV		M.D.		SCALE N/A	
REV		M.D.		ALL 17-58XX MODELS	
REV		M.D.		SHEET 6 OF 27	

4 3 2 1

D C B A

POWER RELAY
CR17

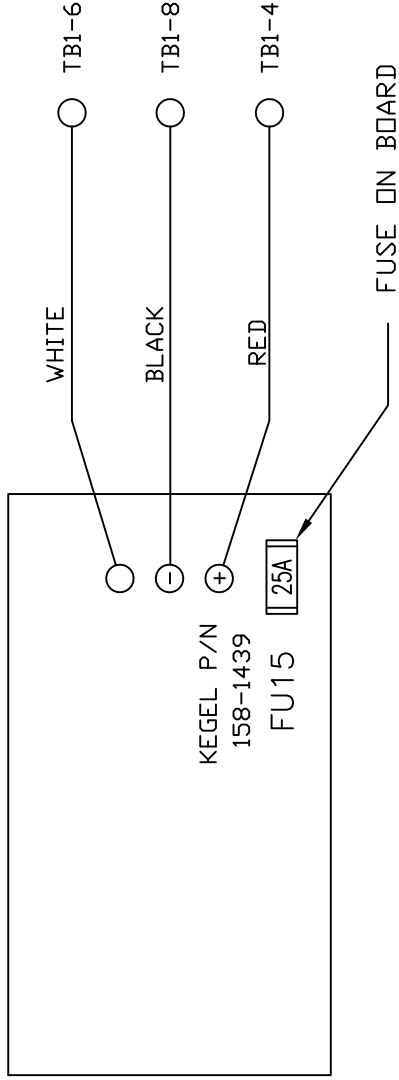


MATERIAL		THE KEGEL CO.		1951 LONGLEAF BLVD. LAKE WALES, FL 33869 (889) 734-0200	
N/A		DESCRIPTION		POWER RELAY WIRING	
DRAWN BY	DATE	FLEX WALKER		MODEL A	
SLS	07/23/13	DO NOT SCALE DRAWING			
APPROVED:	REV DATE	SIZE	QTY/MACHINE	PART NUMBER	
MD		A	N/A	ALL 17-58XX MODELS	
DWG REV		SCALE	N/A	SHEET	7 OF 27

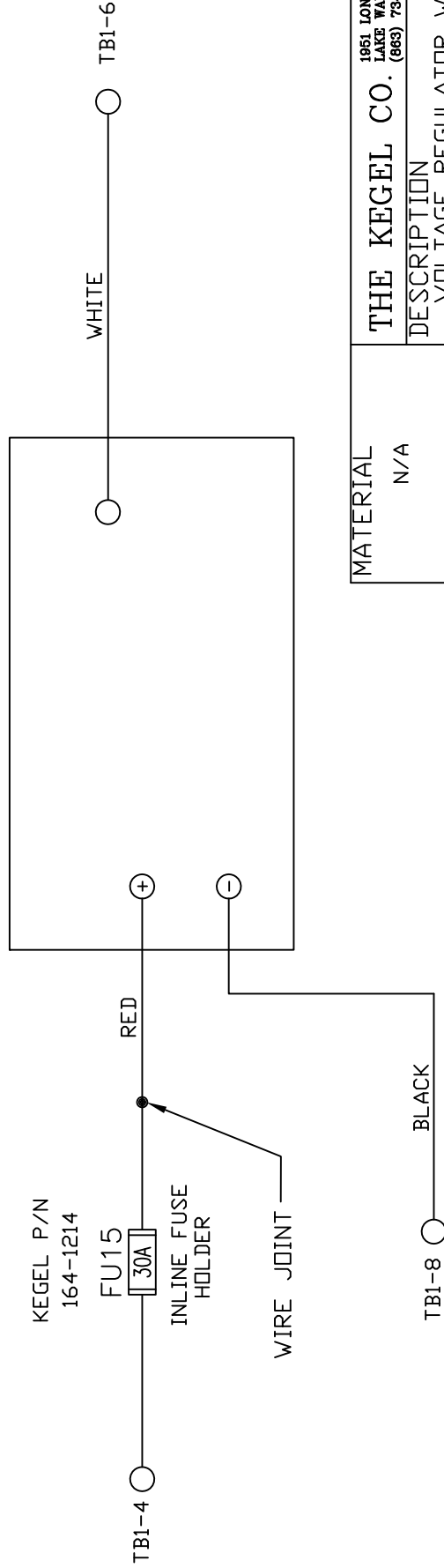
4 3 2 1

D C B A

VOLTAGE REGULATOR



UPGRADED VOLTAGE REGULATOR



MATERIAL		1951 LONGLEAF BLVD. LAKE WALES, FL 33859	
N/A		THE KEGEL CO. (889) 734-0200	
DRAWN BY	DATE	DESCRIPTION	
SLS	07/23/13	VOLTAGE REGULATOR WIRING	
APPROVED:	REV DATE	FLEX WALKER MODEL A	
MD		SIZE	DO NOT SCALE DRAWING
		QTY/MACHINE	PART NUMBER
		A	N/A
DOC		SCALE	N/A
REV			ALL 17-58XX MODELS
		SHEET	8 OF 27

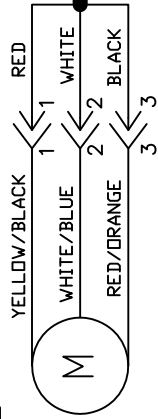
4 3 2 1

D C B A

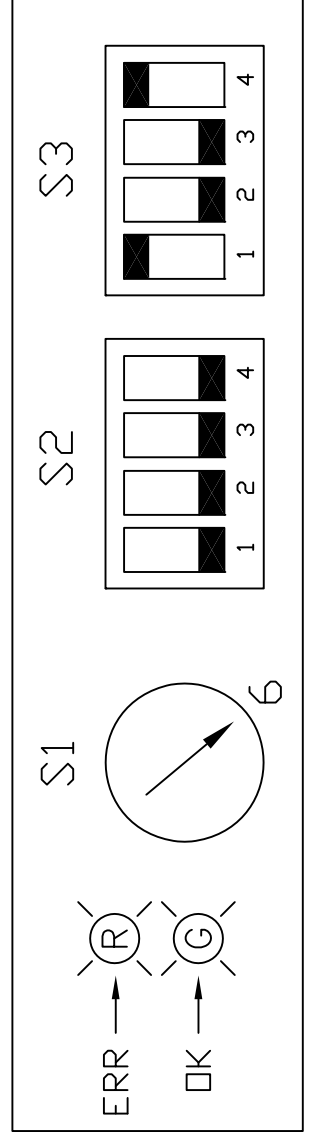
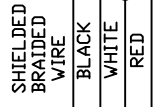
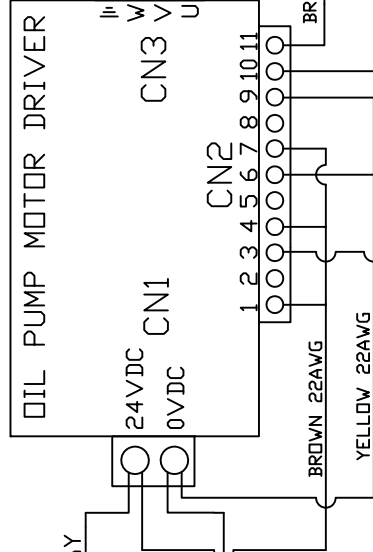
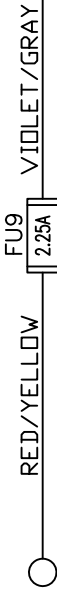
4 3 2 1

D C B A

OIL PUMP MOTOR



KEGEL P/N
154-1266



MATERIAL		THE KEGEL CO.		1951 LONGLEAF BLVD. LAKE WALES, FL 33869	
N/A		DESCRIPTION		OIL PUMP DRIVER & MOTOR WIRING	
DRAWN BY SLS		DATE 07/23/13		FLEX WALKER MODEL A	
APPROVED:		REV DATE		DO NOT SCALE DRAWING	
MD		SIZE		QTY/MACHINE PART NUMBER	
DOC REV		SCALE		ALL 17-58XX MODELS	
		N/A		SHEET 9 OF 27	

4 3 2 1

D C B A

SHIELDED WIRE

SHIELDED WIRE

SHIELDED
BRAIDED
WIRE

PLC INPUTS
0CH #09

OIL HEAD
DRIVER CN2 #11

PLC OUTPUTS
CH100 #00

S3

S2

S1

ERR

OK

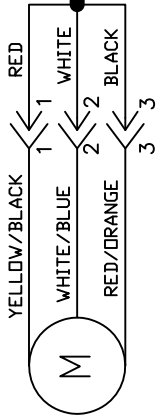
1 2 3 4

1 2 3 4

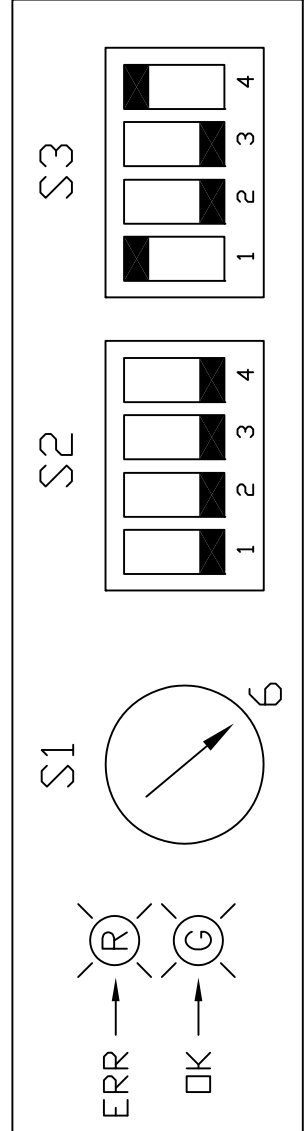
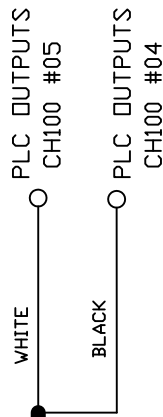
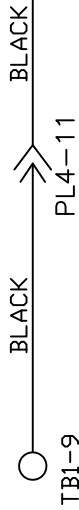
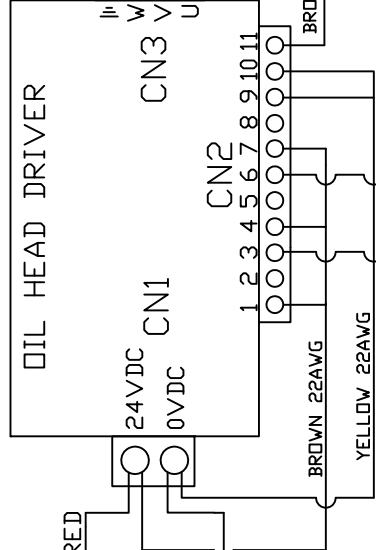
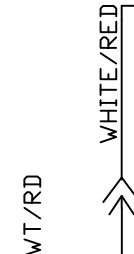
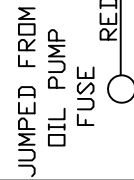
6

2 3 4 1

OIL HEAD MOTOR



KEGEL P/N
154-1266



MATERIAL		N/A	
DRAWN BY	DATE	DESCRIPTION	
SLS	07/23/13	OIL HEAD DRIVER & MOTOR WIRING	
APPROVED:	REV DATE	FLEX WALKER MODEL A	
MD		DO NOT SCALE DRAWING	
DOC	REV	SIZE	QTY/MACHINE PART NUMBER
		A	N/A
		SCALE	N/A
		ALL 17-58XX MODELS	
		SHEET	10 OF 27

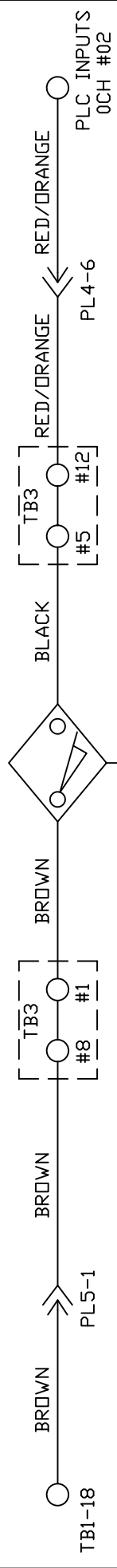
THE KEGEL CO. (689) 734-0200
1951 LONGLEAF BLVD.
LAKE WALES, FL 33869

4 3 2 1

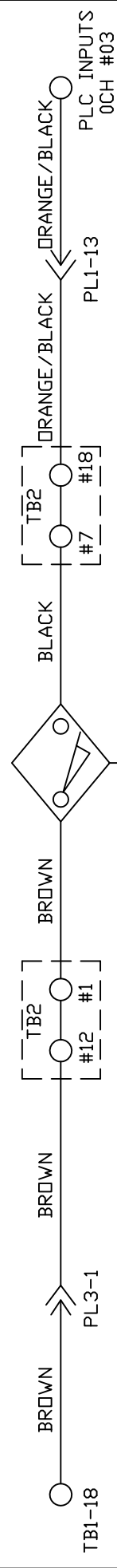
1 2 3 4

4 3 2 1

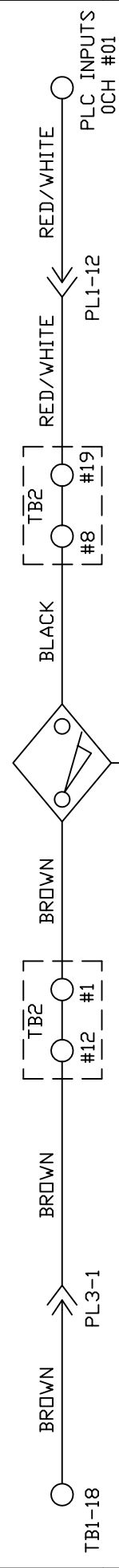
L-R HEAD PROX



R-L HEAD PROX



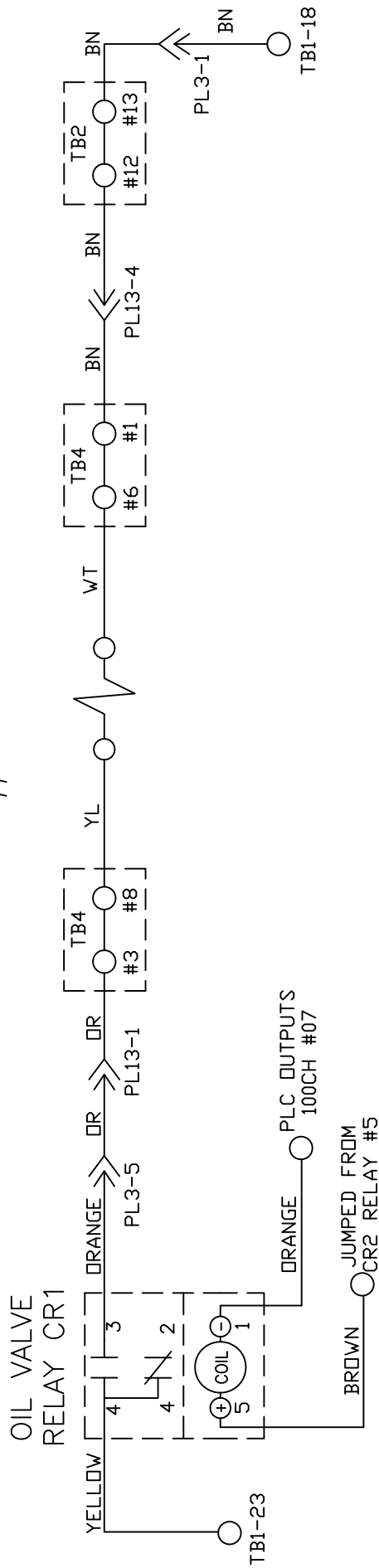
BOARD PROX



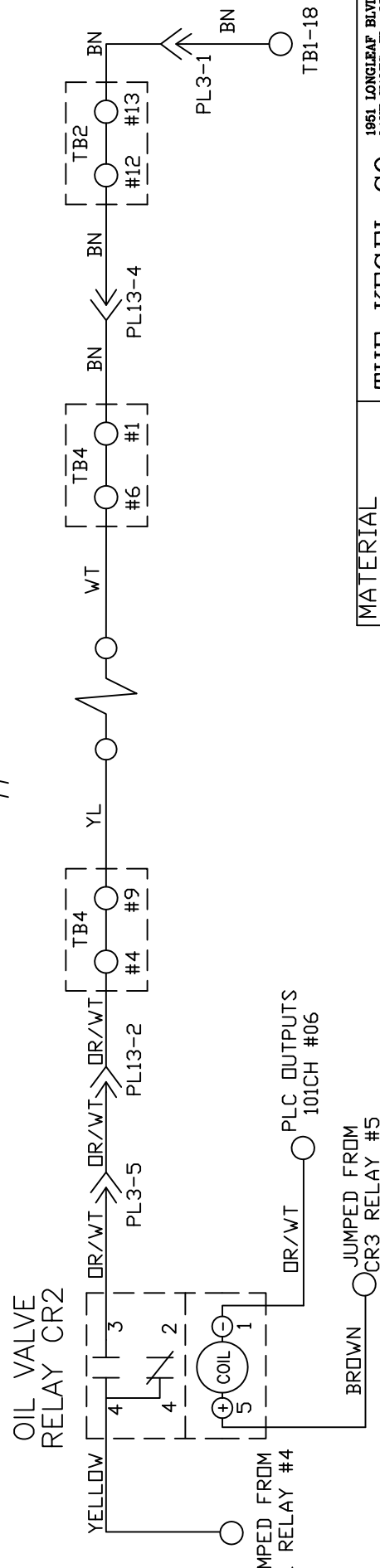
MATERIAL		1951 LONGLEAF BLVD. LAKE WALES, FL 33669	
N/A		THE KEGEL CO. (866) 734-0200	
DRAWN BY	DATE	DESCRIPTION	
SLS	07/23/13	L-R, R-L & BOARD PROX WIRING	
APPROVED:	REV DATE	FLEX WALKER MODEL A	
MD		DO NOT SCALE DRAWING	
DOC		SIZE	QTY/MACHINE PART NUMBER
REV		A	N/A ALL 17-58XX MODELS
		SCALE	N/A
		SHEET	11 OF 27

4 3 2 1

OIL VALVE #1 -- TANK A



OIL VALVE #2 -- TANK B



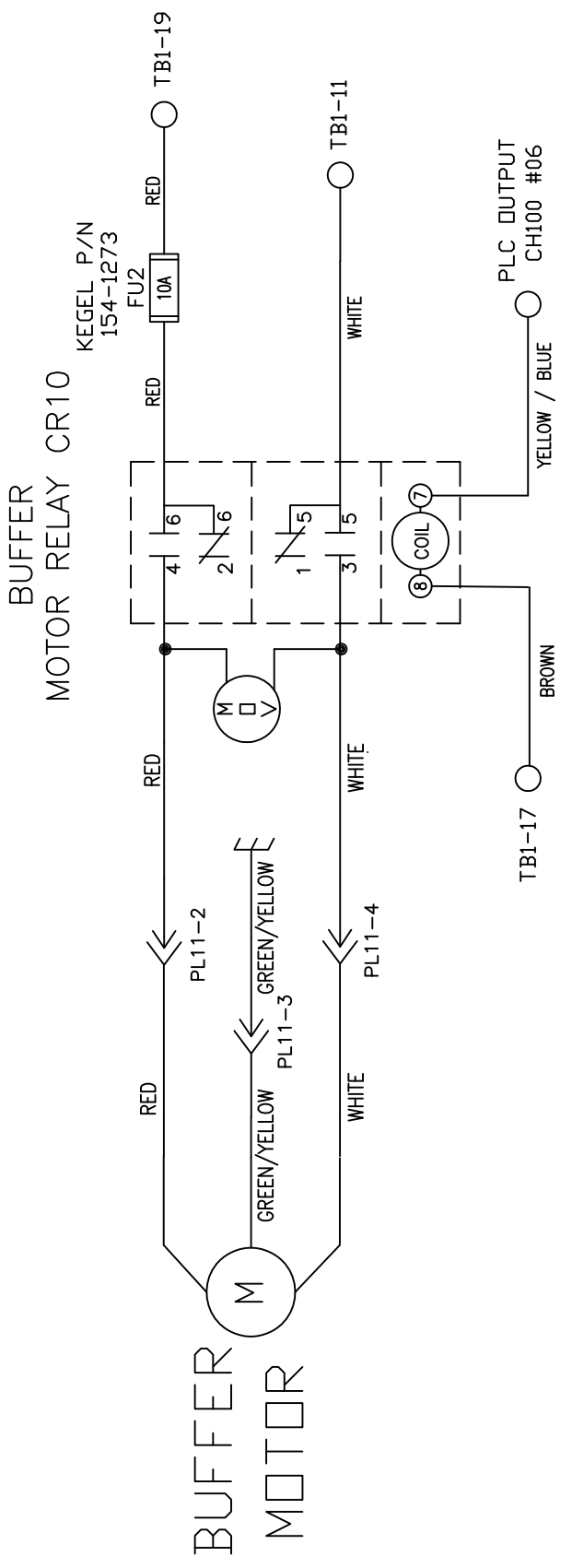
MATERIAL		THE KEGEL CO. 1951 LONGLEAF BLVD. LAKE WALES, FL 33869 (889) 734-0200	
DESCRIPTION		OIL VALVES RELAY WIRING	
DRAWN BY SLS		FLEX WALKER MODEL A	
DATE 07/23/13		DO NOT SCALE DRAWING	
REV DATE		PART NUMBER	
APPROVED: MD	N/A	ALL 17-58XX MODELS	
DOC REV	SCALE N/A	SHEET 12	OF 27

4 3 2 1

4 3 2 1

4 3 2 1

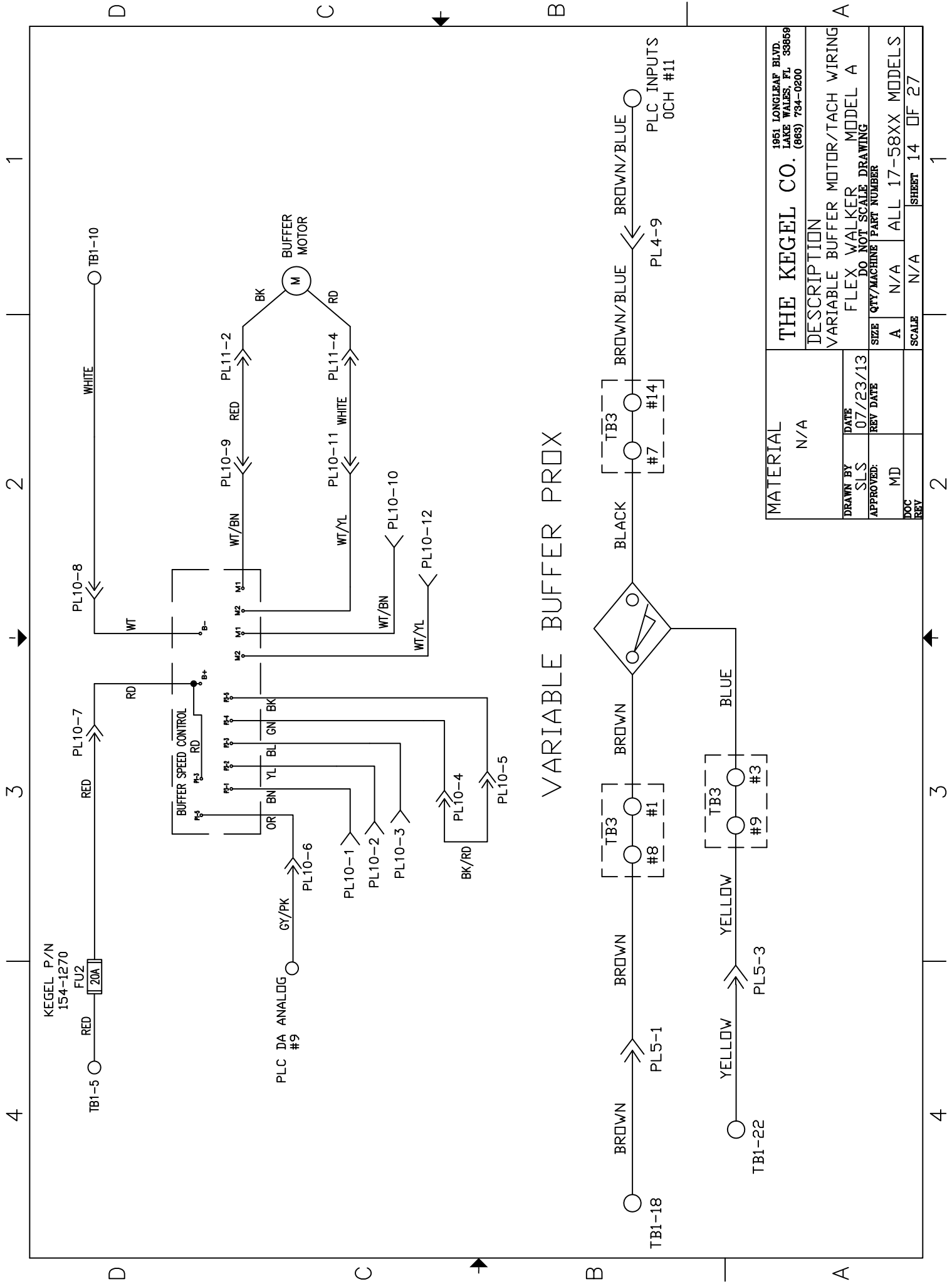
D C B A



MATERIAL		1951 LONGLEAF BLVD. LAKE WALES, FL 33869	
N/A		THE KEGEL CO. (888) 734-0200	
DESCRIPTION			
BUFFER MOTOR WIRING			
FLEX WALKER MODEL A			
DO NOT SCALE DRAWING			
DRAWN BY	DATE	SIZE	QTY/MACHINE PART NUMBER
SLS	07/23/13	A	N/A
APPROVED:	REV DATE	SCALE	ALL 17-58XX MODELS
MD		N/A	
DOC REV		SHEET	13 OF 27

4 3 2 1

D C B A



VARIABLE BUFFER PROX

MATERIAL	N/A		
DESCRIPTION	VARIABLE BUFFER MOTOR/TACH WIRING		
DRAWN BY	DATE	SIZE	QTY/MACHINE PART NUMBER
SLS	07/23/13	A	N/A
APPROVED:	REV DATE	SCALE	N/A
MD			
DWG REV		SHEET	14 OF 27

THE KEGEL CO.
 1951 LONGLEAF BLVD.
 LAKE WALES, FL 33869
 (888) 734-0200

DESCRIPTION
 VARIABLE BUFFER MOTOR/TACH WIRING
 FLEX WALKER MODEL A
 DO NOT SCALE DRAWING

SIZE
 A

SCALE
 N/A

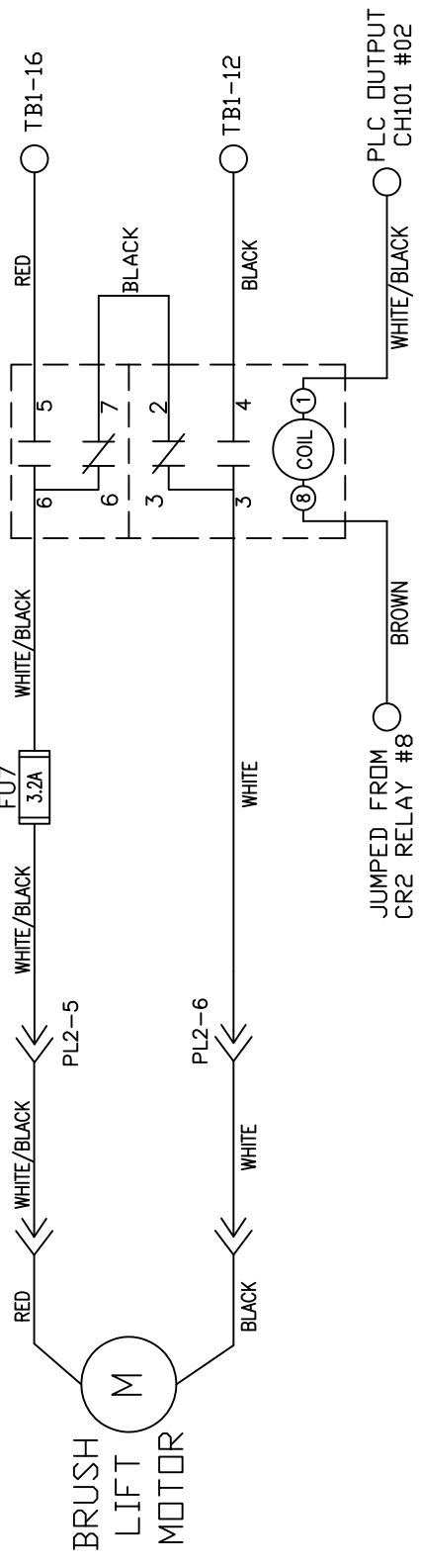
SHEET
 14 OF 27

4 3 2 1

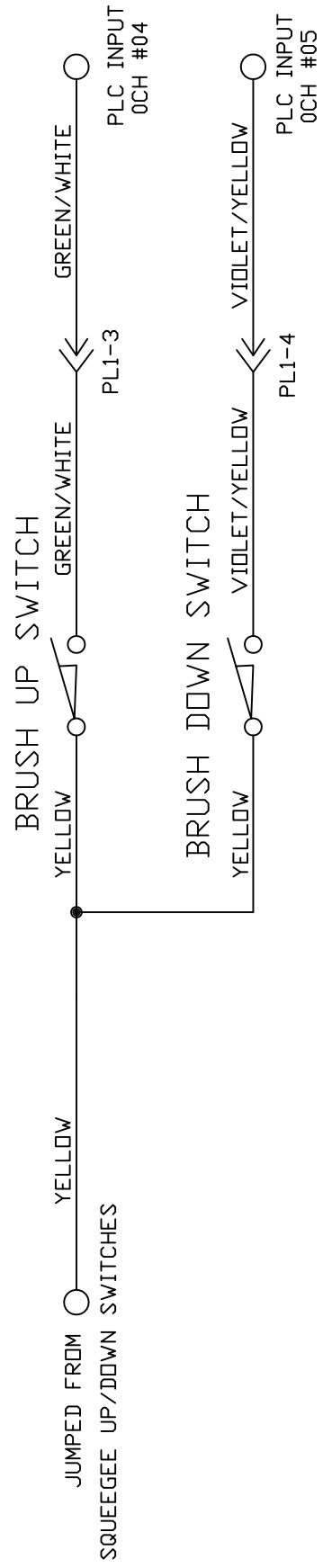
D C B A

BRUSH LIFT MOTOR RELAY CR7

KEGEL P/N
154-1267
FU7
3.2A



JUMPED FROM CR2 RELAY #8



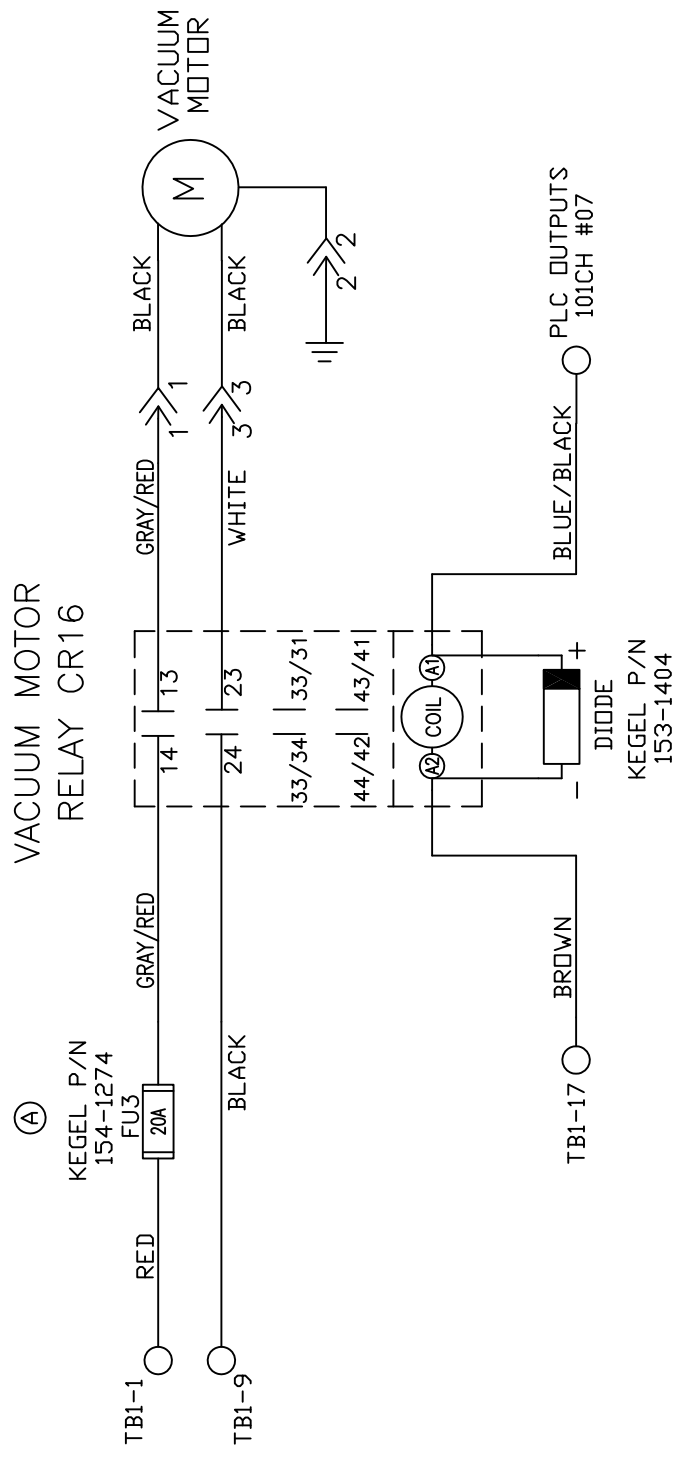
MATERIAL		THE KEGEL CO.		1951 LONGLEAF BLVD. LAKE WALES, FL 33869 (888) 734-0200	
N/A		DESCRIPTION		BRUSH LIFT MOTOR / SWITCH WIRING	
DRAWN BY	DATE	FLEX WALKER		MODEL A	
SLS	07/23/13	DO NOT SCALE DRAWING		PART NUMBER	
APPROVED:	REV DATE	SIZE	QTY/MACHINE	SCALE	SHEET
MD		A	N/A	N/A	15 OF 27
DWG REV		ALL 17-58XX MODELS			

4 3 2 1

D C B A

4 3 2 1

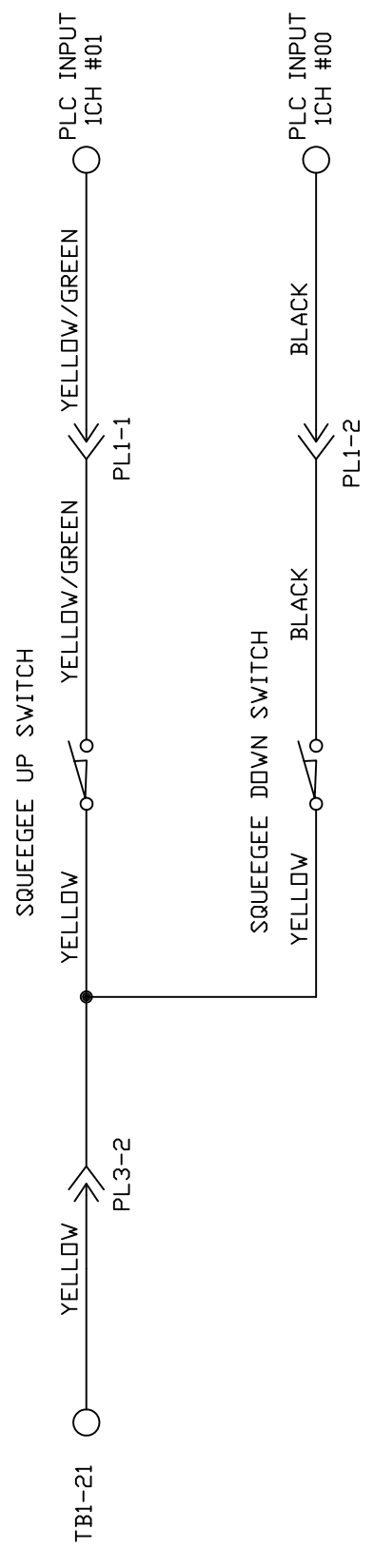
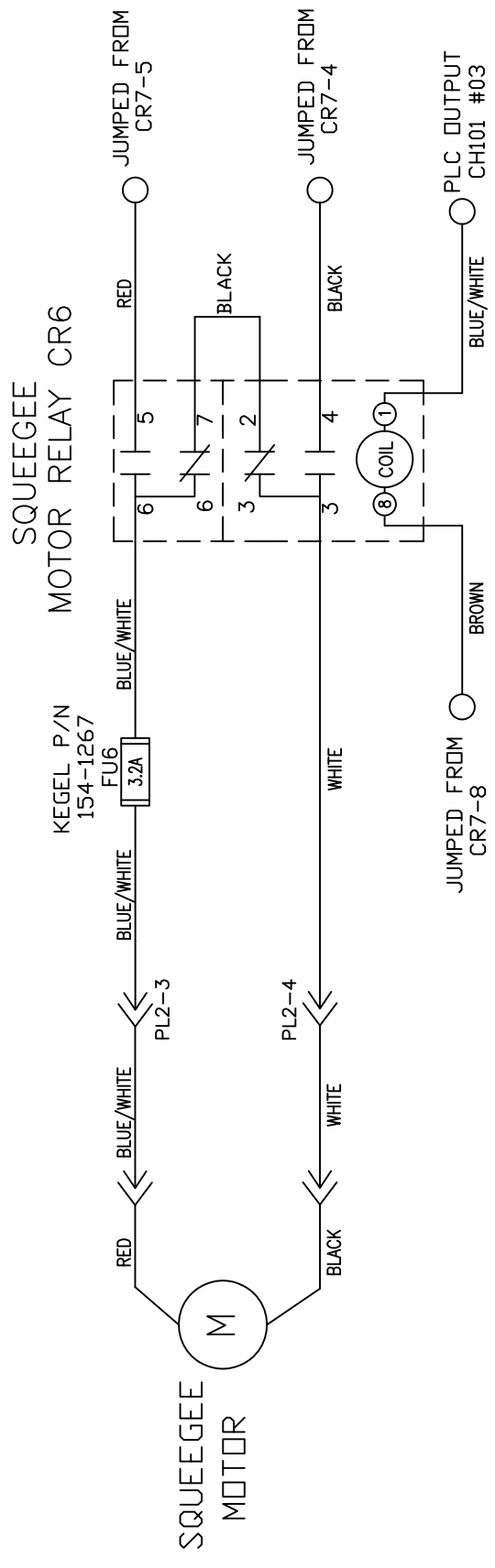
REV	LTR	DATE	DESCRIPTION
A		02/28/14	CHANGED FUSE FROM MDA TO MDL E/C# 14134



MATERIAL	THE KEGEL CO. 1951 LONGLEAF BLVD. LAKE WALES, FL 33859 (888) 734-0200		
	DESCRIPTION VACUUM MOTOR WIRING		
DRAWN BY SLS	DATE 07/23/13	FLEX WALKER MODEL A	
APPROVED: MD	REV DATE 02/28/14	DO NOT SCALE DRAWING	DO NOT SCALE DRAWING
DWG REV	A	SIZE A	QTY/MACHINE PART NUMBER N/A
	2	SCALE N/A	ALL 17-58XX MODLES SHEET 16 OF 27

4 3 2 1

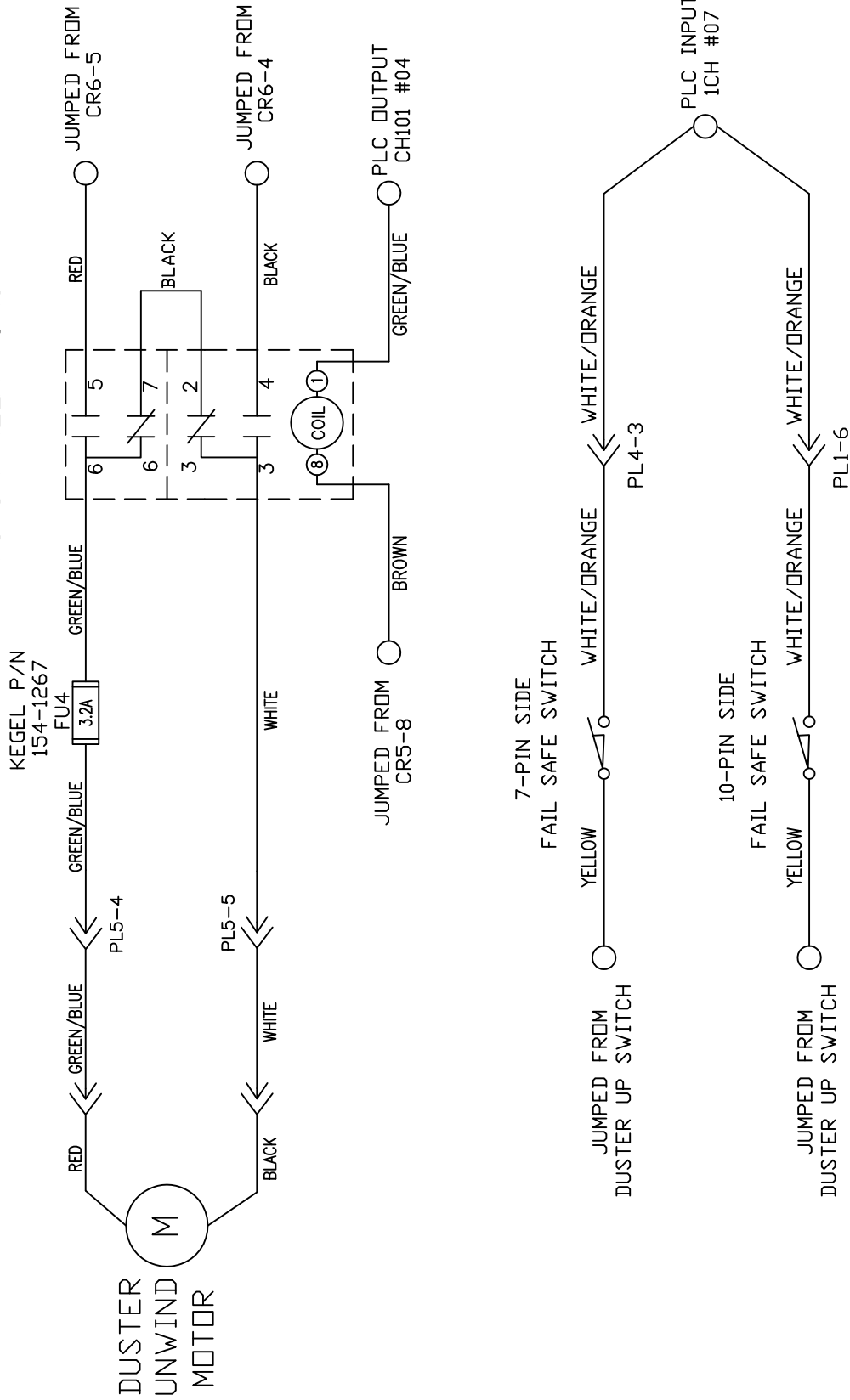
4 3 2 1



MATERIAL		THE KEGEL CO.		1951 LONGLEAF BLVD. LAKE WALES, FL 33869 (888) 734-0200	
N/A		DESCRIPTION		SQUEEGEE MOTOR & SWITCH WIRING	
DRAWN BY	DATE	FLEX WALKER		MODEL A	
SLS	07/23/13	DO NOT SCALE DRAWING		PART NUMBER	
APPROVED:	REV DATE	SIZE	QTY/MACHINE	SCALE	SHEET
MD		A	N/A	N/A	17 OF 27
DOC					
REV					

4 3 2 1

DUSTER UNWIND MOTOR RELAY CR5



MATERIAL		THE KEGEL CO.		1951 LONGLEAF BLVD. LAKE WALES, FL 33869 (888) 734-0200	
N/A		DESCRIPTION		DUSTER UNWIND / SWITCH WIRING	
DRAWN BY	DATE	FLEX WALKER		MODEL A	
SLS	07/23/13	DO NOT SCALE DRAWING			
APPROVED:	REV DATE	SIZE	QTY/MACHINE	PART NUMBER	
MD		A	N/A	ALL 17-58XX MODELS	
DWG REV		SCALE	N/A	SHEET	18 OF 27

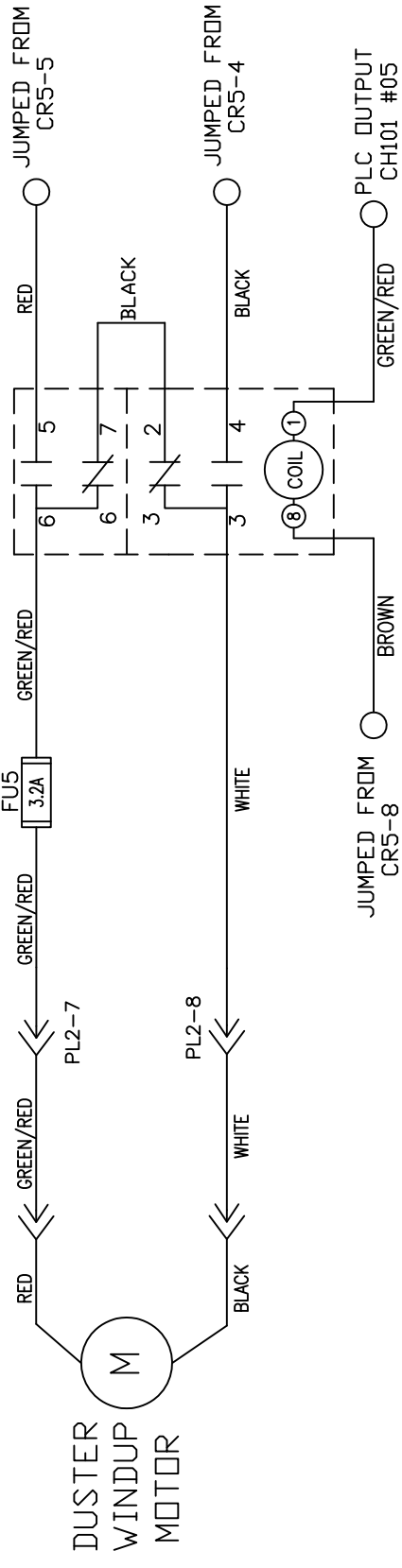
4 3 2 1

4 3 2 1

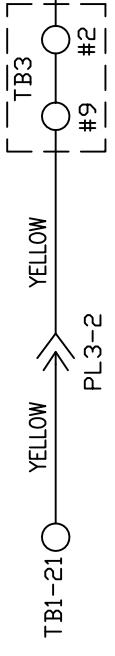
4 3 2 1

DUSTER WINDUP MOTOR RELAY CR4

KEGEL P/N
154-1267
FU5
3.2A



7-PIN SIDE
DUSTER UP SWITCH



10-PIN SIDE
DUSTER UP SWITCH

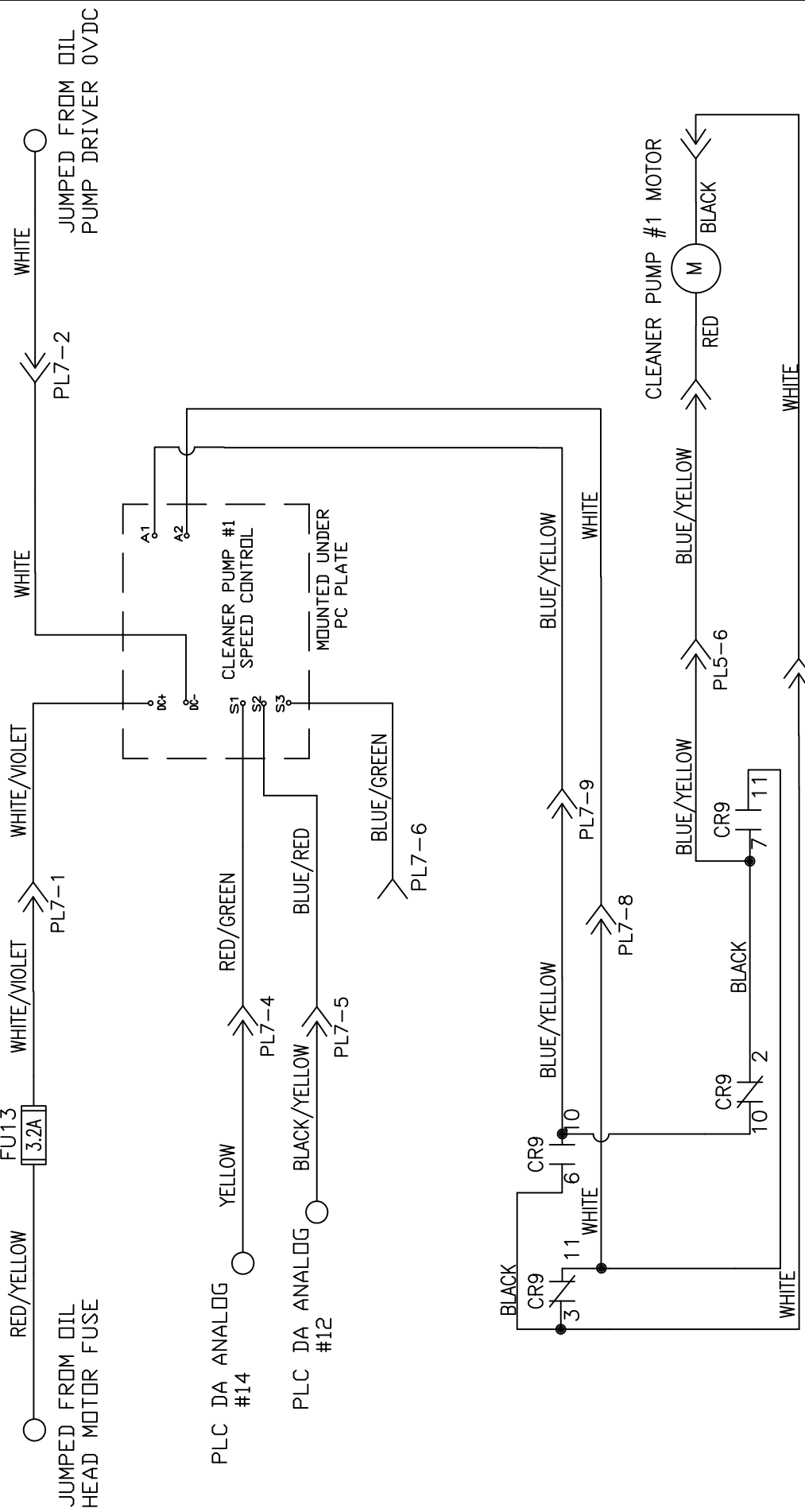


MATERIAL		THE KEGEL CO.		1951 LONGLEAF BLVD. LAKE WALES, FL 33869 (888) 734-0200	
N/A		DESCRIPTION		DUSTER WINDUP / SWITCH WIRING	
DRAWN BY	DATE	FLEX WALKER		MODEL A	
SLS	07/23/13	DO NOT SCALE DRAWING			
APPROVED:	REV DATE	SIZE	QTY/MACHINE	PART NUMBER	
MD		A	N/A	ALL 17-58XX MODELS	
DWG		SCALE	N/A	SHEET	19 OF 27
REV					

4 3 2 1

4 3 2 1

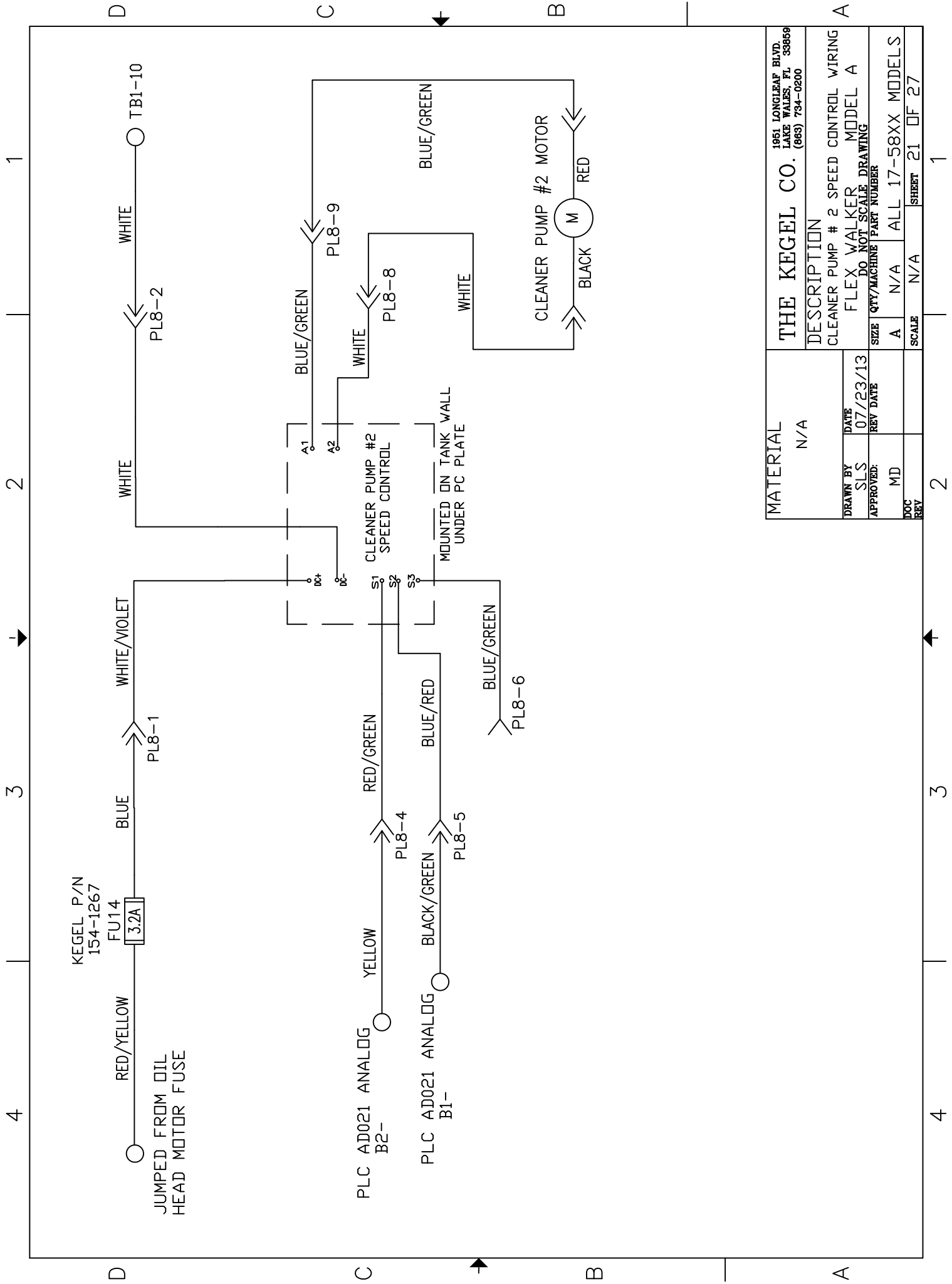
KEGEL P/N
154-1267



MATERIAL		N/A	
DRAWN BY	DATE	DESCRIPTION	
SLS	07/23/13	CLEANER PUMP # 1 SPEED CONTROL WIRING	
APPROVED:	REV DATE	FLEX WALKER MODEL A	
MD		DO NOT SCALE DRAWING	
DOC		SIZE	QTY/MACHINE PART NUMBER
REV		A	N/A ALL 17-58XX MODELS
		SCALE	N/A
		SHEET	20 OF 27

THE KEGEL CO.
1951 LONGLEAF BLVD.
LAKE WALES, FL 33869
(889) 734-0200

4 3 2 1



KEGEL P/N
154-1267

FU14
3.2A

JUMPED FROM OIL
HEAD MOTOR FUSE

PLC AD021 ANALOG
B2-

PLC AD021 ANALOG
B1-

RED/GREEN
PL8-4

BLACK/GREEN
PL8-5

BLUE/RED
PL8-6

CLEANER PUMP #2
SPEED CONTROL

MOUNTED ON TANK WALL
UNDER PC PLATE

CLEANER PUMP #2 MOTOR
M

BLUE
PL8-1

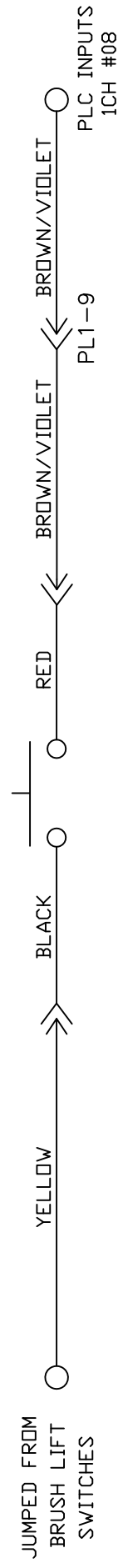
WHITE/VIOLET
PL8-2

WHITE
PL8-9

WHITE
TB1-10

MATERIAL	THE KEGEL CO.		1951 LONGLEAF BLVD. LAKE WALES, FL 33869 (889) 734-0200	
N/A	DESCRIPTION			
	CLEANER PUMP # 2 SPEED CONTROL WIRING			
	FLEX WALKER MODEL A			
	DO NOT SCALE DRAWING			
DRAWN BY	DATE	SIZE	QTY/MACHINE	PART NUMBER
SLS	07/23/13	A	N/A	ALL 17-58XX MODELS
APPROVED:	REV DATE	SCALE	N/A	SHEET 21 OF 27
MD				
DOC REV				

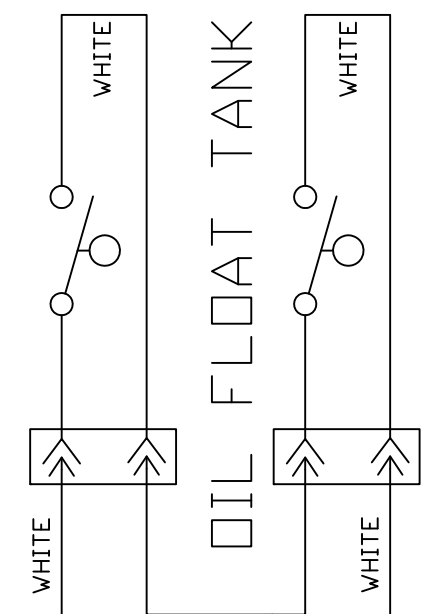
DUSTER/PRESOAK BUTTON



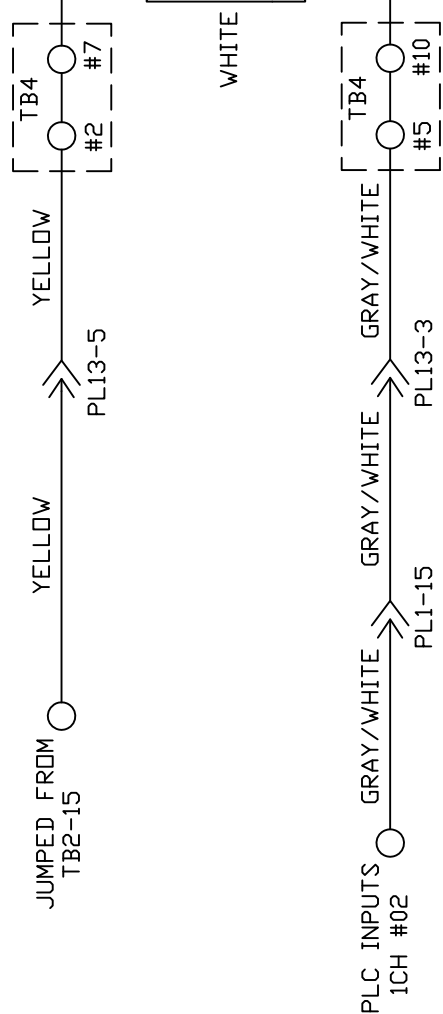
MATERIAL		THE KEGEL CO. 1951 LONGLEAF BLVD. LAKE WALES, FL 33859 (888) 734-0200	
N/A		DESCRIPTION	
DRAWN BY SLS		DUSTER/PRESOAK BUTTON	
DATE 07/23/13		FLEX WALKER MODEL A	
APPROVED:		DO NOT SCALE DRAWING	
MD		SIZE	QTY/MACHINE PART NUMBER
DOC		A	N/A
REV		SCALE	N/A
2		ALL 17-58XX MODELS	
3		SHEET	22 OF 27
4		1	

4 3 2 1

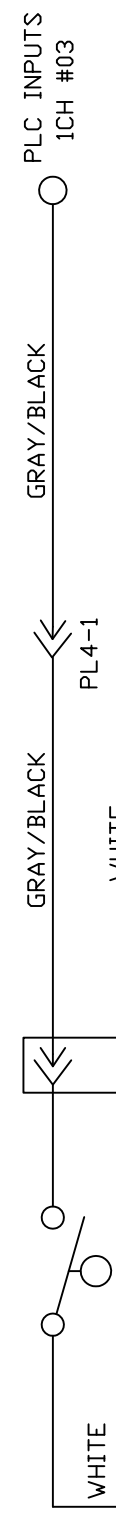
OIL FLOAT TANK A



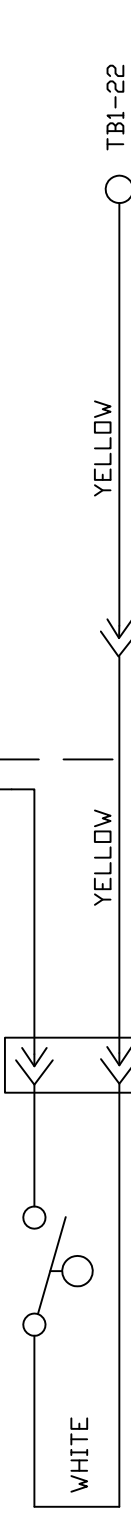
OIL FLOAT TANK B



CLEANER FLOAT PUMP #1



CLEANER FLOAT PUMP #2



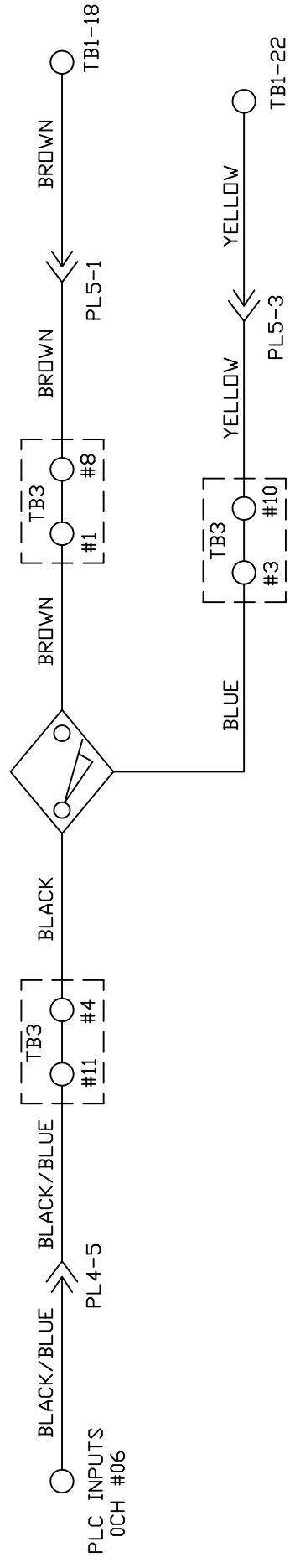
OPTIONAL CLEANER UPGRADE

MATERIAL		1951 LONGLEAF BLVD. LAKE WALES, FL 33869	
N/A		THE KEGEL CO. (889) 734-0200	
DESCRIPTION			
OIL FLOATS & CLEANER FLOATS WIRING			
FLEX WALKER MODEL A			
DO NOT SCALE DRAWING			
DRAWN BY	DATE	SIZE	QTY/MACHINE PART NUMBER
SLS	07/23/13	A	N/A
APPROVED:	REV DATE	SCALE	N/A
MD			
DWG REV			
			ALL 17-58XX MODELS
			SHEET 23 OF 27

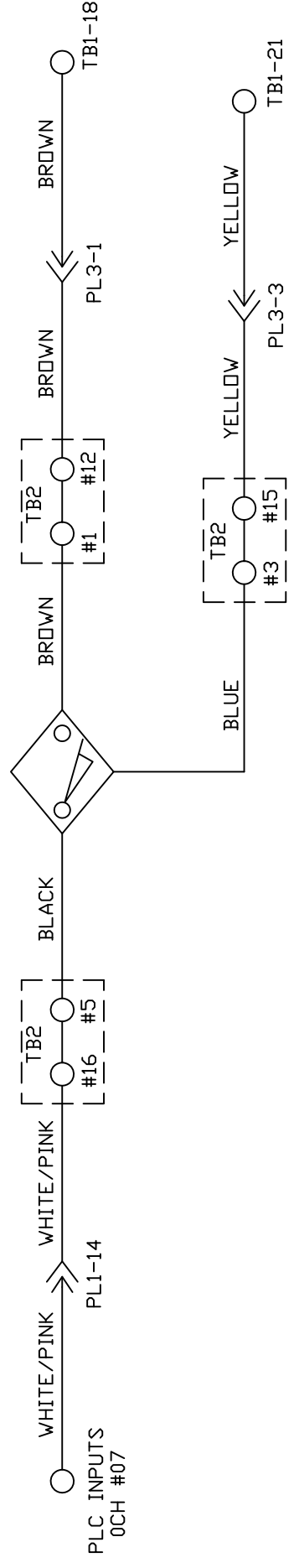
4 3 2 1

4 3 2 1

SPEED TACH PROX



LANE DISTANCE PROX



MATERIAL		1951 LONGLEAF BLVD. LAKE WALES, FL 33869	
N/A		THE KEGEL CO. (888) 734-0200	
DESCRIPTION			
SPEED TACH / LANE DISTANCE WIRING			
FLEX WALKER MODEL A			
DO NOT SCALE DRAWING			
DRAWN BY	DATE	SIZE	QTY/MACHINE PART NUMBER
SLS	07/23/13	A	N/A
APPROVED:	REV DATE	SCALE	N/A
MD			ALL 17-58XX MODELS
DWG REV			SHEET 24 OF 27

4 3 2 1

4 3 2 1

D C B A

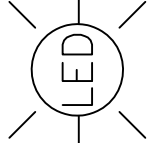
TB1-15

KEGEL P/N
155-1229
FUJ16
1A

PL4-12

RED/GREEN

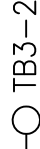
RED/GREEN



YELLOW/WHITE

YELLOW

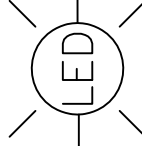
YELLOW



LED TANK
LIGHT SWITCH

YELLOW

LED ARROW
LIGHT



RED/GREEN

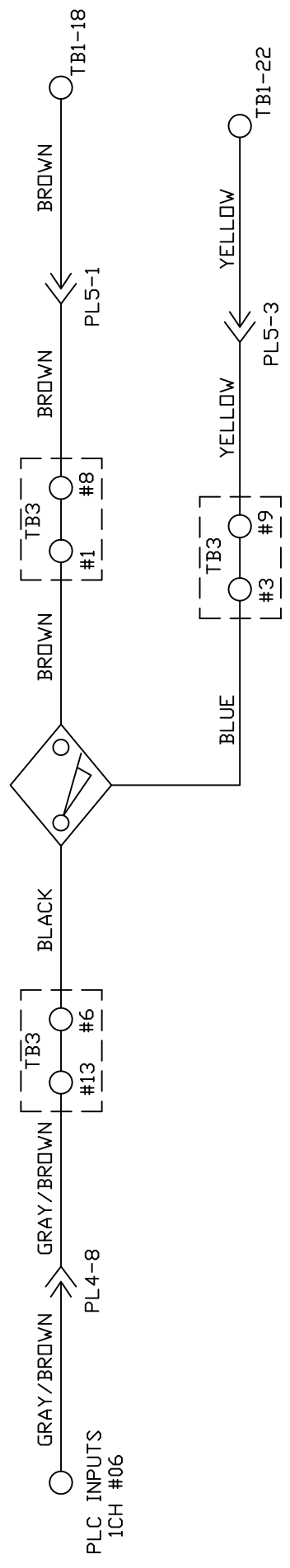
MATERIAL		THE KEGEL CO.		1951 LONGLEAF BLVD. LAKE WALES, FL 33859	
N/A		DESCRIPTION		LED TANK LIGHT WIRING	
DRAWN BY SLS		DATE 07/23/13		FLEX WALKER MODEL A	
APPROVED:		REV DATE		DO NOT SCALE DRAWING	
MD		QTY/MACHINE		PART NUMBER	
DOC		SCALE		ALL 17-58XX MODELS	
REV		N/A		SHEET 25 OF 27	

D C B A

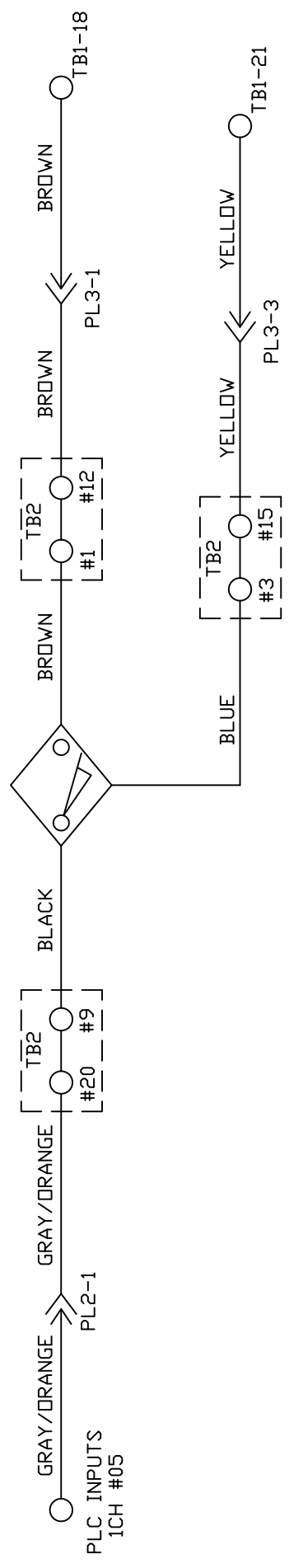
4 3 2 1

4 3 2 1

ADS PROX 7-PIN SIDE



ADS PROX 10-PIN SIDE

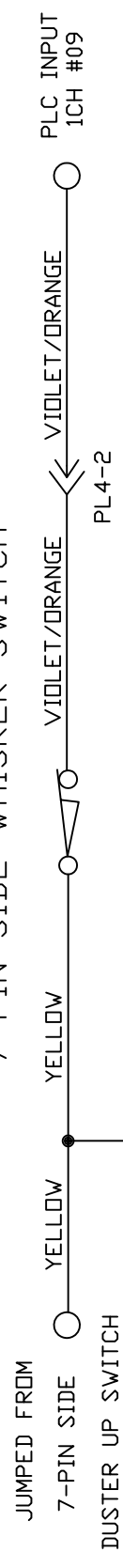


MATERIAL		THE KEGEL CO.		1951 LONGLEAF BLVD. LAKE WALES, FL 33869	
N/A		DESCRIPTION		ADS WIRING 7-PIN & 10-PIN SIDE	
DRAWN BY	DATE	FLEX WALKER		MODEL A	
SLS	07/23/13	DO NOT SCALE DRAWING		DO NOT SCALE DRAWING	
APPROVED:	REV DATE	SIZE	QTY/MACHINE	PART NUMBER	
MD		A	N/A	ALL 17-58XX MODELS	
DWG		SCALE	N/A	SHEET	26 OF 27
REV					

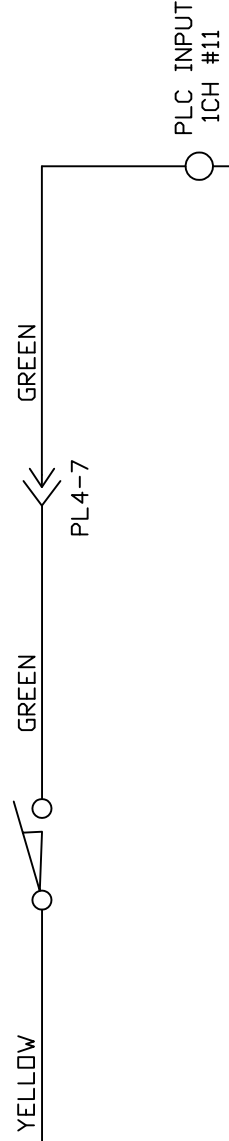
4 3 2 1

4 3 2 1

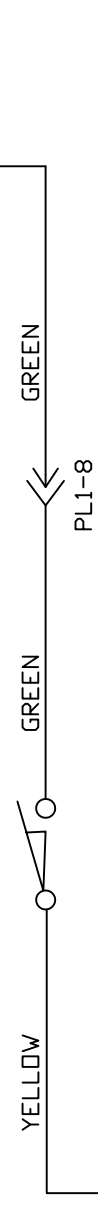
7-PIN SIDE WHISKER SWITCH



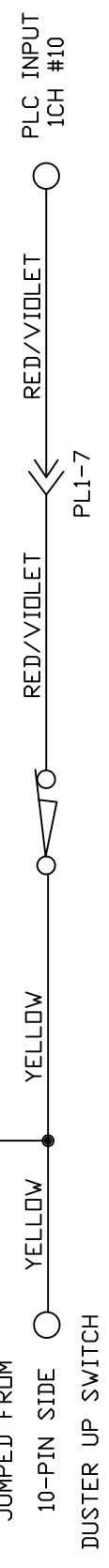
7-PIN SIDE BUMPER SWITCH



10-PIN SIDE BUMPER SWITCH



10-PIN SIDE WHISKER SWITCH



MATERIAL		THE KEGEL CO.		1951 LONGLEAF BLVD. LAKE WALES, FL 33869	
N/A		DESCRIPTION		BUMPER & WHISKER SWITCH WIRING	
DRAWN BY	DATE	FLEX WALKER MODEL A		DO NOT SCALE DRAWING	
SLS	07/23/13	SIZE	QTY/MACHINE	PART NUMBER	
APPROVED:		A	N/A	ALL 17-58XX MODELS	
MD		SCALE	N/A	SHEET	27 OF 27
DWG					
REV					

4 3 2 1

D C B A

D C B A

