

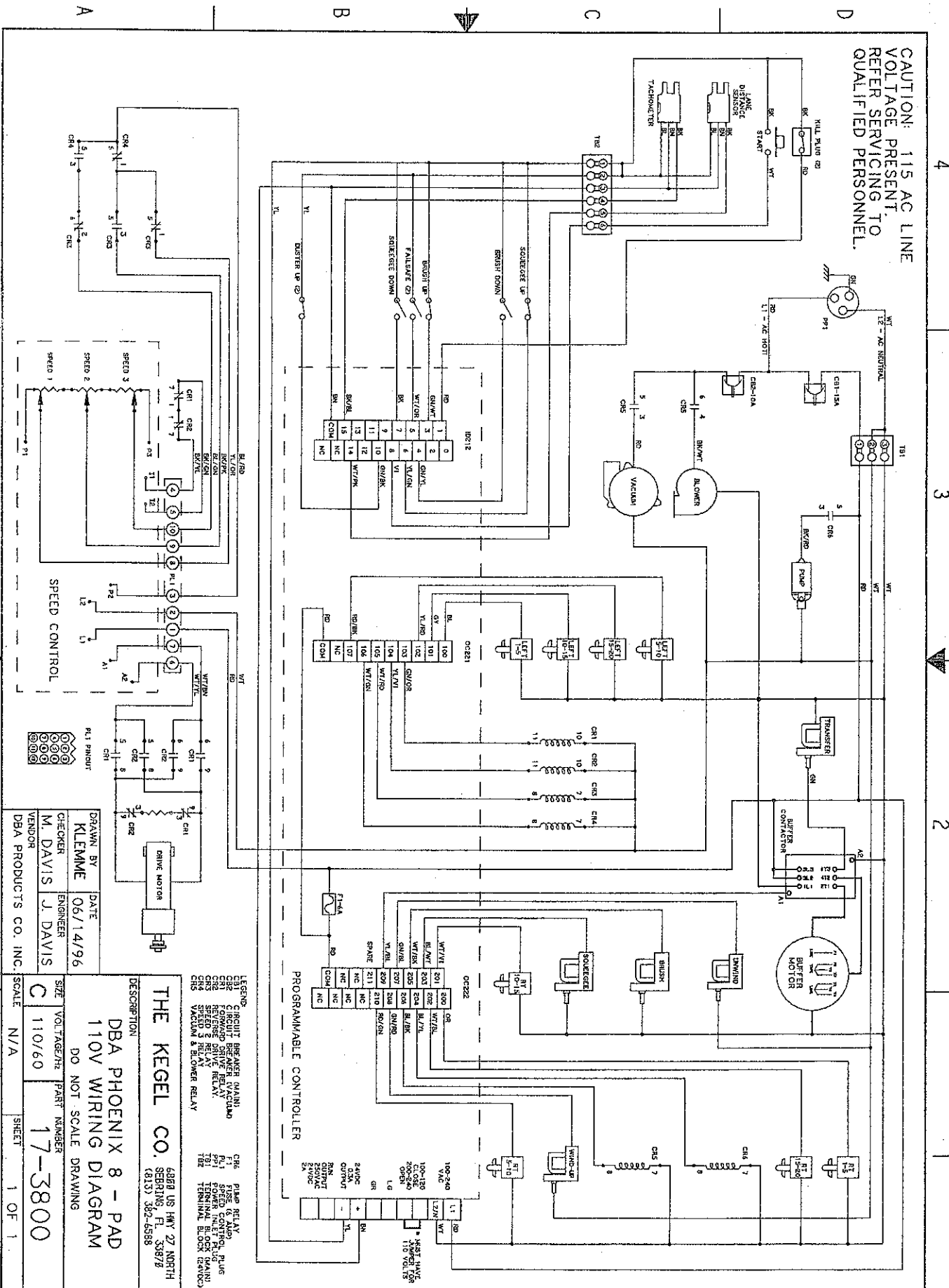
DBA PHOENIX™ Operating Manual

MECHANICAL DRAWINGS - TABLE OF CONTENTS

EDITION 6:96

I.	ELECTRICAL WIRING DIAGRAM - 110 Volt/60 Hz	
II.	ELECTRICAL WIRING DIAGRAM - 220 Volt/60 Hz	
III.	OVERHEAD VIEW	FIGURE 1
IV.	BOTTOM VIEW	FIGURE 2
V.	SPRAY PUMP & FITTINGS	FIGURE 3
VI.	SQUEEGEE MOTOR	FIGURE 4
VII.	LANE DISTANCE SENSOR	FIGURE 5
VIII.	SPEED CONTROL ASSEMBLY	FIGURE 6
IX.	BRUSH LIFTING MOTOR & LINKS	FIGURE 7
X.	TRANSFER ROLLER & BRUSH ADJUSTMENT	FIGURE 8
XI.	DMR LINODUSTER ASSEMBLY	FIGURE 9
XII.	TACHOMETER SENSOR	FIGURE 10
XIII.	CONTROL RELAYS	FIGURE 11
XIV.	COMPLETE PARTS LIST	PAGE 1

CAUTION: 115 AC LINE VOLTAGE PRESENT. REFER SERVICING TO QUALIFIED PERSONNEL.



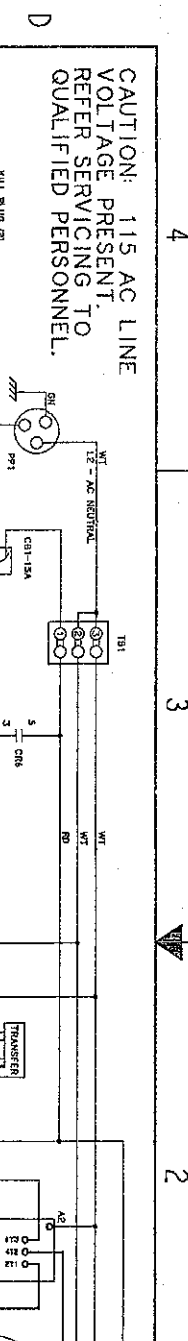
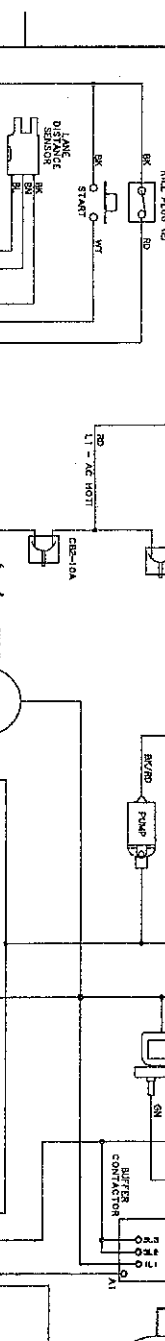
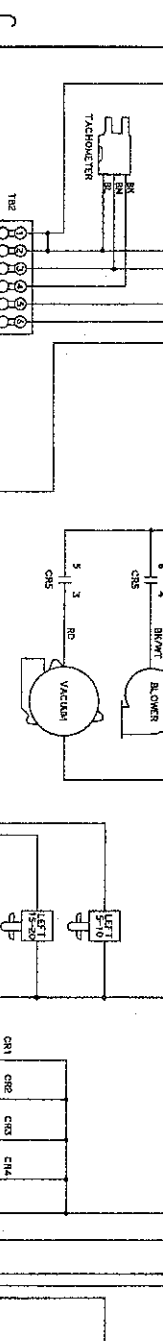
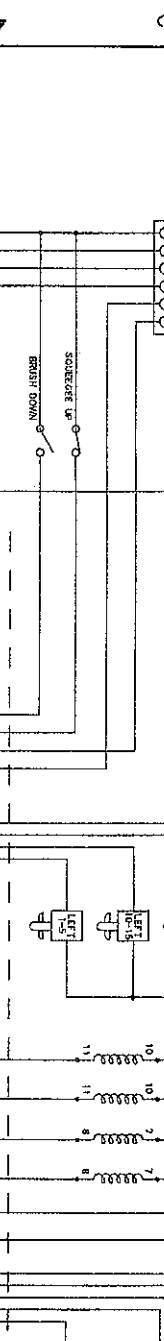
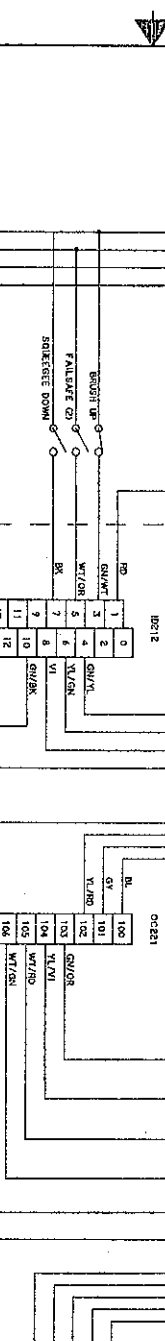
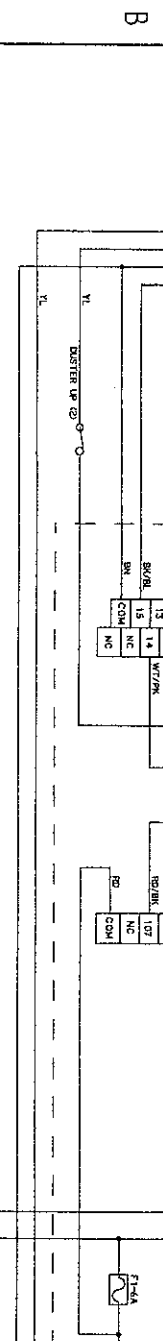
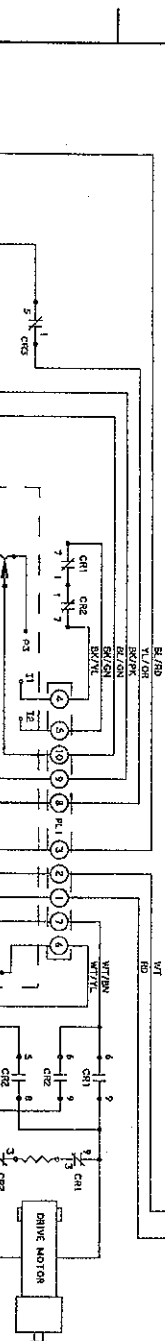
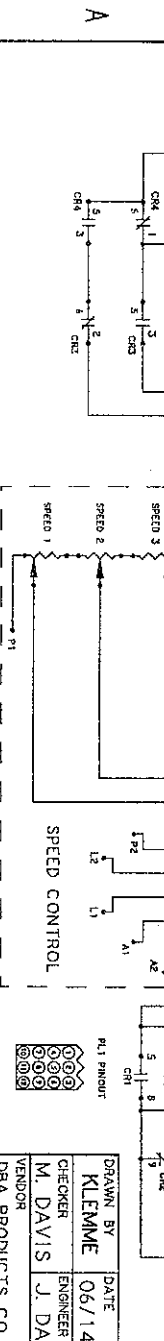
THE KEGEL CO.
 6889 US HWY 27 NORTH
 SEBRING, FL 33878
 (813) 382-6988

DESCRIPTION
 DBA PHOENIX 8 - PAD
 110V WIRING DIAGRAM
 DO NOT SCALE
 DRAWING

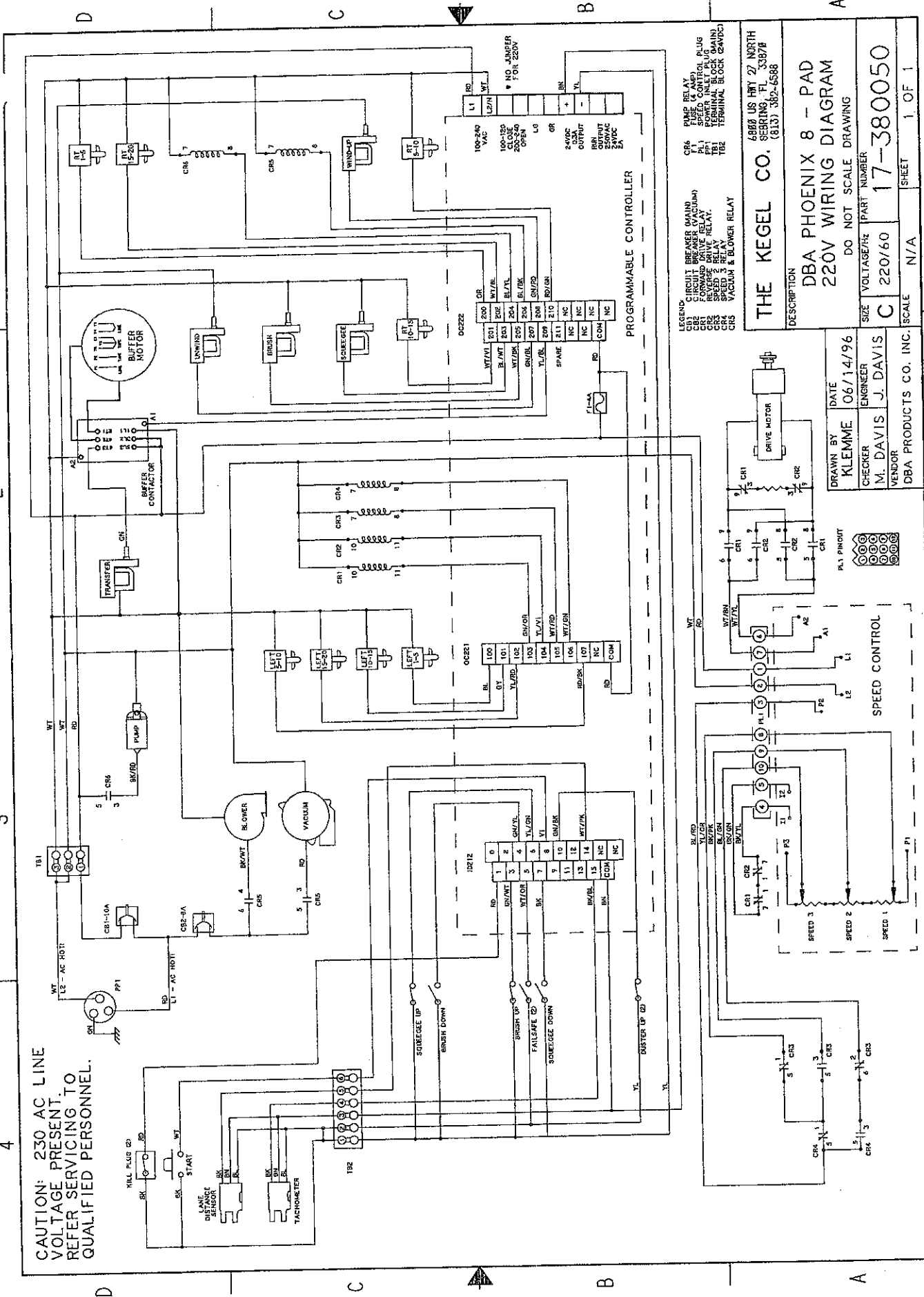
REVISIONS

NO.	DATE	BY	DESCRIPTION
1	06/14/96	KLEMM	DATE
2		J. DAVIS	ENGINEER
3		M. DAVIS	CHECKER

DBA PRODUCTS CO., INC.
 SCALE: N/A
 SHEET: 1 OF 1



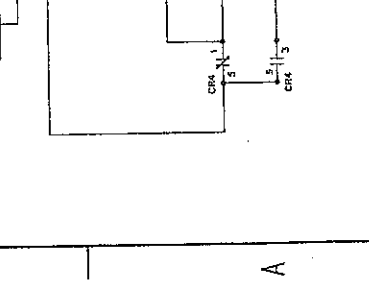
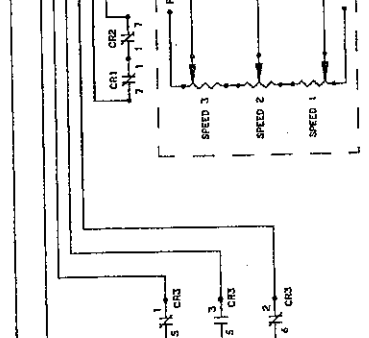
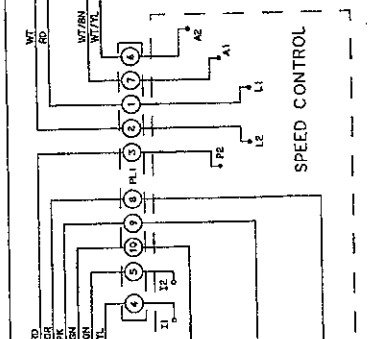
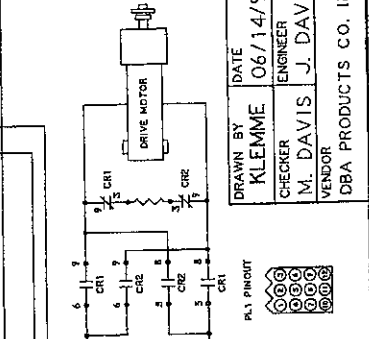
CAUTION: 230 AC LINE VOLTAGE PRESENT. REFER SERVICING TO QUALIFIED PERSONNEL.



LEGEND
 CRA PUMP RELAY
 L1 FUSE (4 AMP)
 L2 FUSE (4 AMP)
 L3 FUSE (4 AMP)
 CR1 CIRCUIT BREAKER (MAIN)
 CR2 CIRCUIT BREAKER (VACUUM)
 CR3 CIRCUIT BREAKER (DRIVE MOTOR)
 CR4 CIRCUIT BREAKER (SPEED 2 RELAY)
 CR5 CIRCUIT BREAKER (VACUUM & BLOWER RELAY)
 CR6 CIRCUIT BREAKER (SPEED 1 RELAY)
 CR7 CIRCUIT BREAKER (SPEED 3 RELAY)
 CR8 CIRCUIT BREAKER (SPEED 4 RELAY)
 CR9 CIRCUIT BREAKER (SPEED 5 RELAY)
 CR10 CIRCUIT BREAKER (SPEED 6 RELAY)
 CR11 CIRCUIT BREAKER (SPEED 7 RELAY)
 CR12 CIRCUIT BREAKER (SPEED 8 RELAY)
 CR13 CIRCUIT BREAKER (SPEED 9 RELAY)
 CR14 CIRCUIT BREAKER (SPEED 10 RELAY)
 CR15 CIRCUIT BREAKER (SPEED 11 RELAY)
 CR16 CIRCUIT BREAKER (SPEED 12 RELAY)
 CR17 CIRCUIT BREAKER (SPEED 13 RELAY)
 CR18 CIRCUIT BREAKER (SPEED 14 RELAY)
 CR19 CIRCUIT BREAKER (SPEED 15 RELAY)
 CR20 CIRCUIT BREAKER (SPEED 16 RELAY)
 CR21 CIRCUIT BREAKER (SPEED 17 RELAY)
 CR22 CIRCUIT BREAKER (SPEED 18 RELAY)
 CR23 CIRCUIT BREAKER (SPEED 19 RELAY)
 CR24 CIRCUIT BREAKER (SPEED 20 RELAY)
 CR25 CIRCUIT BREAKER (SPEED 21 RELAY)
 CR26 CIRCUIT BREAKER (SPEED 22 RELAY)
 CR27 CIRCUIT BREAKER (SPEED 23 RELAY)
 CR28 CIRCUIT BREAKER (SPEED 24 RELAY)
 CR29 CIRCUIT BREAKER (SPEED 25 RELAY)
 CR30 CIRCUIT BREAKER (SPEED 26 RELAY)
 CR31 CIRCUIT BREAKER (SPEED 27 RELAY)
 CR32 CIRCUIT BREAKER (SPEED 28 RELAY)
 CR33 CIRCUIT BREAKER (SPEED 29 RELAY)
 CR34 CIRCUIT BREAKER (SPEED 30 RELAY)
 CR35 CIRCUIT BREAKER (SPEED 31 RELAY)
 CR36 CIRCUIT BREAKER (SPEED 32 RELAY)
 CR37 CIRCUIT BREAKER (SPEED 33 RELAY)
 CR38 CIRCUIT BREAKER (SPEED 34 RELAY)
 CR39 CIRCUIT BREAKER (SPEED 35 RELAY)
 CR40 CIRCUIT BREAKER (SPEED 36 RELAY)
 CR41 CIRCUIT BREAKER (SPEED 37 RELAY)
 CR42 CIRCUIT BREAKER (SPEED 38 RELAY)
 CR43 CIRCUIT BREAKER (SPEED 39 RELAY)
 CR44 CIRCUIT BREAKER (SPEED 40 RELAY)
 CR45 CIRCUIT BREAKER (SPEED 41 RELAY)
 CR46 CIRCUIT BREAKER (SPEED 42 RELAY)
 CR47 CIRCUIT BREAKER (SPEED 43 RELAY)
 CR48 CIRCUIT BREAKER (SPEED 44 RELAY)
 CR49 CIRCUIT BREAKER (SPEED 45 RELAY)
 CR50 CIRCUIT BREAKER (SPEED 46 RELAY)
 CR51 CIRCUIT BREAKER (SPEED 47 RELAY)
 CR52 CIRCUIT BREAKER (SPEED 48 RELAY)
 CR53 CIRCUIT BREAKER (SPEED 49 RELAY)
 CR54 CIRCUIT BREAKER (SPEED 50 RELAY)
 CR55 CIRCUIT BREAKER (SPEED 51 RELAY)
 CR56 CIRCUIT BREAKER (SPEED 52 RELAY)
 CR57 CIRCUIT BREAKER (SPEED 53 RELAY)
 CR58 CIRCUIT BREAKER (SPEED 54 RELAY)
 CR59 CIRCUIT BREAKER (SPEED 55 RELAY)
 CR60 CIRCUIT BREAKER (SPEED 56 RELAY)
 CR61 CIRCUIT BREAKER (SPEED 57 RELAY)
 CR62 CIRCUIT BREAKER (SPEED 58 RELAY)
 CR63 CIRCUIT BREAKER (SPEED 59 RELAY)
 CR64 CIRCUIT BREAKER (SPEED 60 RELAY)
 CR65 CIRCUIT BREAKER (SPEED 61 RELAY)
 CR66 CIRCUIT BREAKER (SPEED 62 RELAY)
 CR67 CIRCUIT BREAKER (SPEED 63 RELAY)
 CR68 CIRCUIT BREAKER (SPEED 64 RELAY)
 CR69 CIRCUIT BREAKER (SPEED 65 RELAY)
 CR70 CIRCUIT BREAKER (SPEED 66 RELAY)
 CR71 CIRCUIT BREAKER (SPEED 67 RELAY)
 CR72 CIRCUIT BREAKER (SPEED 68 RELAY)
 CR73 CIRCUIT BREAKER (SPEED 69 RELAY)
 CR74 CIRCUIT BREAKER (SPEED 70 RELAY)
 CR75 CIRCUIT BREAKER (SPEED 71 RELAY)
 CR76 CIRCUIT BREAKER (SPEED 72 RELAY)
 CR77 CIRCUIT BREAKER (SPEED 73 RELAY)
 CR78 CIRCUIT BREAKER (SPEED 74 RELAY)
 CR79 CIRCUIT BREAKER (SPEED 75 RELAY)
 CR80 CIRCUIT BREAKER (SPEED 76 RELAY)
 CR81 CIRCUIT BREAKER (SPEED 77 RELAY)
 CR82 CIRCUIT BREAKER (SPEED 78 RELAY)
 CR83 CIRCUIT BREAKER (SPEED 79 RELAY)
 CR84 CIRCUIT BREAKER (SPEED 80 RELAY)
 CR85 CIRCUIT BREAKER (SPEED 81 RELAY)
 CR86 CIRCUIT BREAKER (SPEED 82 RELAY)
 CR87 CIRCUIT BREAKER (SPEED 83 RELAY)
 CR88 CIRCUIT BREAKER (SPEED 84 RELAY)
 CR89 CIRCUIT BREAKER (SPEED 85 RELAY)
 CR90 CIRCUIT BREAKER (SPEED 86 RELAY)
 CR91 CIRCUIT BREAKER (SPEED 87 RELAY)
 CR92 CIRCUIT BREAKER (SPEED 88 RELAY)
 CR93 CIRCUIT BREAKER (SPEED 89 RELAY)
 CR94 CIRCUIT BREAKER (SPEED 90 RELAY)
 CR95 CIRCUIT BREAKER (SPEED 91 RELAY)
 CR96 CIRCUIT BREAKER (SPEED 92 RELAY)
 CR97 CIRCUIT BREAKER (SPEED 93 RELAY)
 CR98 CIRCUIT BREAKER (SPEED 94 RELAY)
 CR99 CIRCUIT BREAKER (SPEED 95 RELAY)
 CR100 CIRCUIT BREAKER (SPEED 96 RELAY)
 CR101 CIRCUIT BREAKER (SPEED 97 RELAY)
 CR102 CIRCUIT BREAKER (SPEED 98 RELAY)
 CR103 CIRCUIT BREAKER (SPEED 99 RELAY)
 CR104 CIRCUIT BREAKER (SPEED 100 RELAY)

THE KEGEL CO. (813) 382-6588	
DESCRIPTION	
DBA PHOENIX 8 - PAD	
220V WIRING DIAGRAM	
DO NOT SCALE DRAWING	
SIZE	VOLTAGE/Hz
C	220/60
PART NUMBER	17-380050
SCALE	N/A
SHEET	1 OF 1

DRAWN BY	DATE
KLEMM	06/14/96
CHECKER	ENGINEER
M. DAVIS	J. DAVIS
VENDOR	
DBA PRODUCTS CO. INC.	



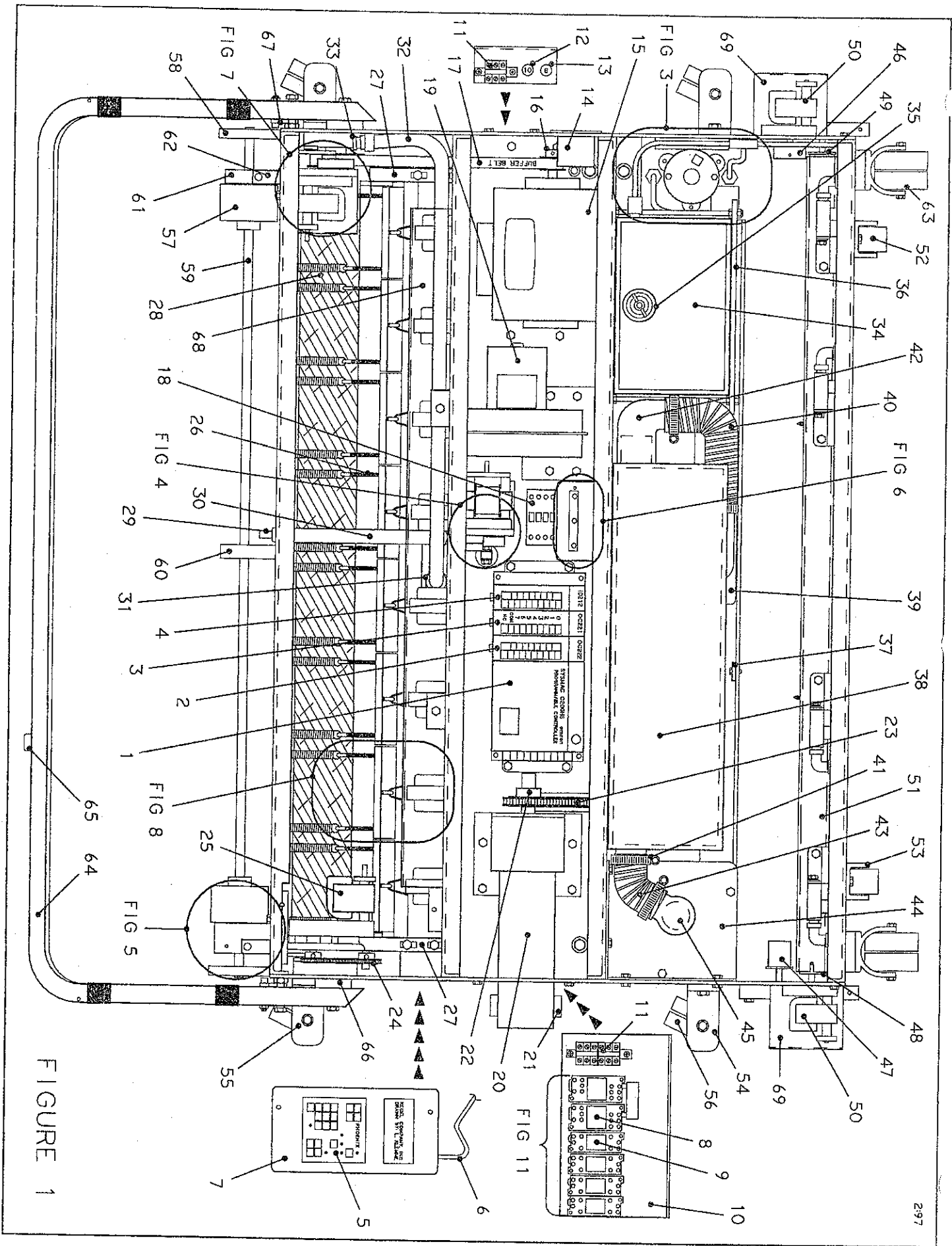


FIGURE 1

DBA PHOENIX Operating Manual
MECHANICAL DRAWINGS INDEX

FIGURE NUMBER	INDEX NUMBER	PART NUMBER	PART NAME & DESCRIPTION
1	1	153-1801	C200HS MICROPROCESSOR
1	2	153-1815	OUTPUT MODULE - OC222
1	3	153-1814	OUTPUT MODULE - OC221
1	4	153-1816	INPUT MODULE - ID212
1	5	153-1002PX	PRO27 KEYBOARD (C200H WITH PHOENIX DECAL)
1	6	153-1005	KEYBOARD CABLE (C200H)
1	7	153-6813	KEYBOARD MOUNTING PLATE (PHOENIX)
1	8	153-1018	LY3 RELAY (110 VOLT)
1	8	153-1618	LY3 RELAY (220 VOLT)
1	9	153-1016	LY2 RELAY (110 VOLT)
1	9	153-1616	LY2 RELAY (220 VOLT)
1	10	153-6856	RELAY MOUNTING PLATE
1	11	153-1021	TERMINAL BLOCK
1	12	153-1030	CIRCUIT BREAKER (10 AMP)
1	13	153-1817	CIRCUIT BREAKER (15-AMP) FOR 110 VOLT
1	13	153-1810	CIRCUIT BREAKER (8-AMP) FOR 220 VOLT
1	14	153-1823	FLANGED TWISTLOCK INLET - 125V/20A
1	14	153-1826	FLANGED TWISTLOCK INLET - 250V/20A
1	15	153-8016A	BUFFER MOTOR ASSEMBLY (60 Hz - 10LO50)
1	15	153-8616	BUFFER MOTOR ASSEMBLY (50 Hz - 12LO50)
1	16	153-9013	BUFFER MOTOR PULLEY (60 Hz 10L050-1/2")
1	16	153-9613	BUFFER MOTOR PULLEY (50 Hz 12L050-1/2")
1	17	153-9015	T-BELT 322LO50 (BUFFER MOTOR)
1	18	153-1004	BUFFER MOTOR CONTACTOR (110 VOLT)
1	18	153-1604	BUFFER MOTOR CONTACTOR (220 VOLT)
1	19	153-8801	BLOWER MOTOR ASSEMBLY - 110V/140 CFM
1	19	153-8802	BLOWER MOTOR ASSEMBLY - 220V/140 CFM
1	20	153-8065	DRIVE MOTOR ASSEMBLY (DAYTON 130VDC/165 RPM)
1	21	153-1057H	DAYTON DC MOTOR BRUSHES
1	22	153-9801	SPROCKET - 40B14 (3/4" BORE) FOR 220 VOLT
1	22	153-9805	SPROCKET - 40B18 (3/4" BORE) FOR 110 VOLT
1	23	153-9804	DRIVE CHAIN - PHOENIX (40P35) FOR 110 VOLT

FIGURE 1

DBA PHOENIX Operating Manual
MECHANICAL DRAWINGS INDEX

FIGURE NUMBER	INDEX NUMBER	PART NUMBER	PART NAME & DESCRIPTION
1	23	153-9814	DRIVE CHAIN - PHOENIX (40P33) FOR 220 VOLT
1	24	153-9806	TRANSFER ROLLER DRIVE CHAIN (25P59)
1	25	153-8828	TRANSFER MOTOR ASSEMBLY (50 RPM-110 VOLT)
1	25	153-8829	TRANSFER MOTOR ASSEMBLY (50 RPM-220 VOLT)
1	26	153-8408	TRANSFER ROLLER ASSEMBLY (43-3/8" SHAFT)
1	27	153-8804	TRANSFER ROLLER ARM ASSEMBLY (PHOENIX-5")
1	28	153-8407	BUFFER BRUSH ASSEMBLY (3-3/4" DIAMETER)
1	29	153-1055	TUBE HOSE STEM (GRAY PLASTIC)
1	30	153-1052	OIL REFILL TUBING (12-1/4")
1	31	153-1053	TANK VENT FITTING (BRASS)
1	32	153-1052C	OIL REFILL TUBING (VENT = 36")
1	33	153-1054	OIL VENT HOSE PLUG (GRAY PLASTIC)
1	34	153-6840A	SUPPLY TANK (1-1/2 GALLON) USES EXPANSION PLUG
1	35	153-0246A	EXPANDABLE PLUG FOR SUPPLY TANK
1	36	153-6847	MOUNTING BAR FOR SUPPLY TANK
1	37	153-6854	UHMW RETAINER FOR RECOVERY TANK
1	38	153-6841	RECOVERY TANK (3-1/2 GALLON CAPACITY)
1	39	153-6223	SQUEEGEE HOSE ADAPTER
1	40	153-0804	FLEXIBLE SUCTION HOSE - SQUEEGEE TO RECOVERY TANK (10")
1	41	153-2406	HOSE CLAMP (1/2")
1	42	153-0225	1-1/4" PVC ELBOW (1-1/4 - MPT)
1	43	153-0805	FLEXIBLE SUCTION HOSE - RECOVERY TANK TO VACUUM (3")
1	44	153-6810B	VACUUM MOTOR ADAPTER (BENT FLANGES)
1	45	153-8827	1-1/4 PVC ELBOW FOR RECOVERY TANK (5/8")
1	46	153-8201B	DMR LINODUSTER HUB ASSEMBLY
1	47	153-6850	UHMW LINODUSTER PLUG FOR CARDBOARD CORE
1	48	153-8202B	DMR LINODUSTER SOLID HUB ASSEMBLY (PVC DRIVE)
1	49	153-6853	UHMW LINODUSTER PLUG FOR PVC TAKE-UP REEL
1	50	153-8403	CONE-BRAKE MOTOR ASSEMBLY (7 RPM-110 VOLT)
1	50	153-8803	CONE-BRAKE MOTOR ASSEMBLY (7 RPM-220 VOLT)
1	51	153-8824	PVC TAKE-UP REEL ASSEMBLY (PHOENIX=44-5/8")
1	52	153-8311	MOMENTARY WHEEL ASSEMBLY (URETHANE)

FIGURE 1

DBA PHOENIX Operating Manual
MECHANICAL DRAWINGS INDEX

FIGURE NUMBER	INDEX NUMBER	PART NUMBER	PART NAME & DESCRIPTION
1	53	153-6029	MOMENTARY WHEEL HOUSING
1	54	154-6221	MOUNTING ANGLE - HEAVY DUTY CASTER (3 x 3.625)
1	55	154-6221	MOUNTING ANGLE - HEAVY DUTY CASTER (3 x 3.625)
1	56	153-0812	TRANSPORT CASTER - HEAVY DUTY (2" - DUAL WHEEL)
1	57	153-7002AA	LANE DISTANCE COUNTER WHEEL-TREADED (2 INCH)
1	58	153-7401	UHMW KICK-UP WHEEL
1	59	153-6435	LANE DISTANCE COUNTER SHAFT (FOR KICK-UP WHEEL)
1	60	153-8421	LANE DISTANCE PILLOWBLOCK ASSEMBLY (CENTER)
1	61	153-8033	LANE DISTANCE COUNTER PILLOWBLOCK ASSEMBLY (LEFT)
1	62	153-6027	LANE DISTANCE ADJUSTMENT BLOCK
1	63	153-0001	TRANSPORT CASTER (3" DUAL WHEEL)
1	64	154-8249	HANDLE ASSEMBLY WITH KILL PLUGS (30")
1	65	153-1408	PUSH BUTTON (RED = NORMALLY OPEN)
1	66	153-6851	UHMW HANDLE SPACER
1	67	153-6857	HANDLE LOCKING LINK
1	68	153-6855	SOLENOID GUARD
1	69	153-6412	LINODUSTER MOTOR SHIELD (7 RPM)

FIGURE 1

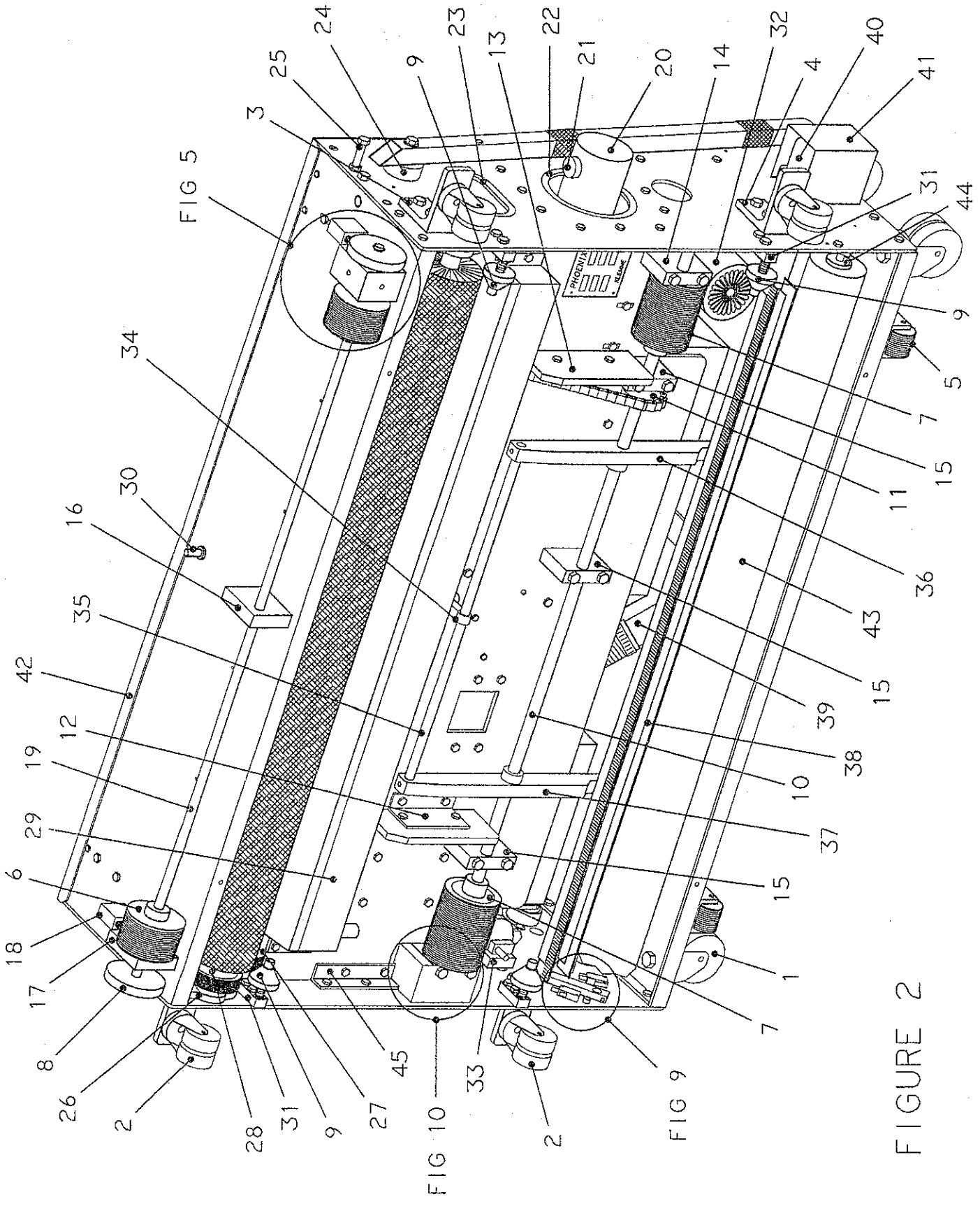


FIGURE 2

DBA PHOENIX Operating Manual
MECHANICAL DRAWINGS INDEX

FIGURE NUMBER	INDEX NUMBER	PART NUMBER	PART NAME & DESCRIPTION
2	1	153-0001	TRANSPORT CASTER (3" DUAL WHEEL)
2	2	153-0812	TRANSPORT CASTER - HEAVY DUTY (2" - DUAL WHEEL)
2	3	154-6221	MOUNTING ANGLE - HEAVY DUTY CASTER (3 x 3.625)
2	4	154-6221	MOUNTING ANGLE - HEAVY DUTY CASTER (3 x 3.625)
2	5	153-8311	MOMENTARY WHEEL ASSEMBLY (URETHANE)
2	6	153-7002AA	LANE DISTANCE COUNTER WHEEL-TREADED (2 INCH)
2	7	153-7013	URETHANE-BLEND LANE DRIVE WHEEL (FOUR-INCH TREADED)
2	8	153-7401	UHMW KICK-UP WHEEL
2	9	153-8410	LANE EDGE GUIDE ROLLER ASSEMBLY (1/2" BORE)
2	10	153-6820A	MAIN DRIVE SHAFT (PHOENIX)
2	11	153-9003	SPROCKET - 40B10 (5/8" BORE)
2	12	153-6837	MOUNTING ANGLE - UHMW FLOOR SKID
2	13	153-6838	UHMW FLOOR SKID
2	14	153-8814	DRIVE SHAFT PILLOWBLOCK ASSEMBLY - FLANGED BUSHING
2	15	153-8813	DRIVE SHAFT PILLOWBLOCK ASSEMBLY - PLAIN BUSHING
2	16	153-8421	LANE DISTANCE PILLOWBLOCK ASSEMBLY (CENTER)
2	17	153-8033	LANE DISTANCE COUNTER PILLOWBLOCK ASSEMBLY (LEFT)
2	18	153-6027	LANE DISTANCE ADJUSTMENT BLOCK
2	19	153-6435	LANE DISTANCE COUNTER SHAFT (FOR KICK-UP WHEEL)
2	20	153-8065	DRIVE MOTOR ASSEMBLY (DAYTON 130VDC/165 RPM)
2	21	153-1057H	DAYTON DC MOTOR BRUSHES
2	22	153-8817	BLACK TRIM FOR DRIVE MOTOR (14")
2	23	153-6048A	MACHINE HANDLE TRIM (11")
2	24	153-6851	UHMW HANDLE SPACER
2	25	153-2818	HHCS - 3/8-16 X 2-1/2 (GRADE 8)
2	26	153-9816	3/4" FLANGED BEARING - 5/16-18 TAPPED
2	27	153-8039	BUFFER BELT IDLER ASSEMBLY
2	28	153-8407	BUFFER BRUSH ASSEMBLY (3-3/4" DIAMETER)
2	29	153-8019	OIL TANK ASSEMBLY
2	30	153-1055	TUBE HOSE STEM (GRAY PLASTIC)
2	31	153-6417	GUIDE ROLLER MOUNTING BAR (ALUMINUM)
2	32	153-8205	VACUUM MOTOR ASSEMBLY - 110 VOLT/104 CFM
2	32	153-8805	VACUUM MOTOR ASSEMBLY - 220 VOLT/96 CFM
2	33	153-8206	WATER SPRAY PUMP ASSEMBLY - 110 VOLT
2	33	153-8806	WATER SPRAY PUMP ASSEMBLY - 220 VOLT
2	34	153-6842	SQUEEGEE ROD END (5/16-18 X 4-5/8)
2	35	153-6254	SQUEEGEE ARM SHAFT
2	36	153-8809	SQUEEGEE PIVOT ARM ASSEMBLY - PHOENIX RIGHT SIDE
2	37	153-8808	SQUEEGEE PIVOT ARM ASSEMBLY - PHOENIX LEFT SIDE
2	38	153-0202A	COMPLETE SQUEEGEE ASSEMBLY (2-PIECE BROWN)
2	39	153-6223	SQUEEGEE HOSE ADAPTER
2	40	153-8403	CONE-BRAKE MOTOR ASSEMBLY (7 RPM-110 VOLT)
2	40	153-8803	CONE-BRAKE MOTOR ASSEMBLY (7 RPM-220 VOLT)
2	41	153-6412	LINODUSTER MOTOR SHIELD (DAYTON-7 RPM)
2	42	153-8825A	COMPLETE LID ASSEMBLY - PHOENIX
2	43	153-8238	CUSHION ROLLER ASSEMBLY (DMR LINODUSTER = 44")
2	44	153-9050	CUSHION ROLLER PLUG
2	45	153-6827	MOUNTING ANGLE - SIDE PLATE/FLOOR

FIGURE 2

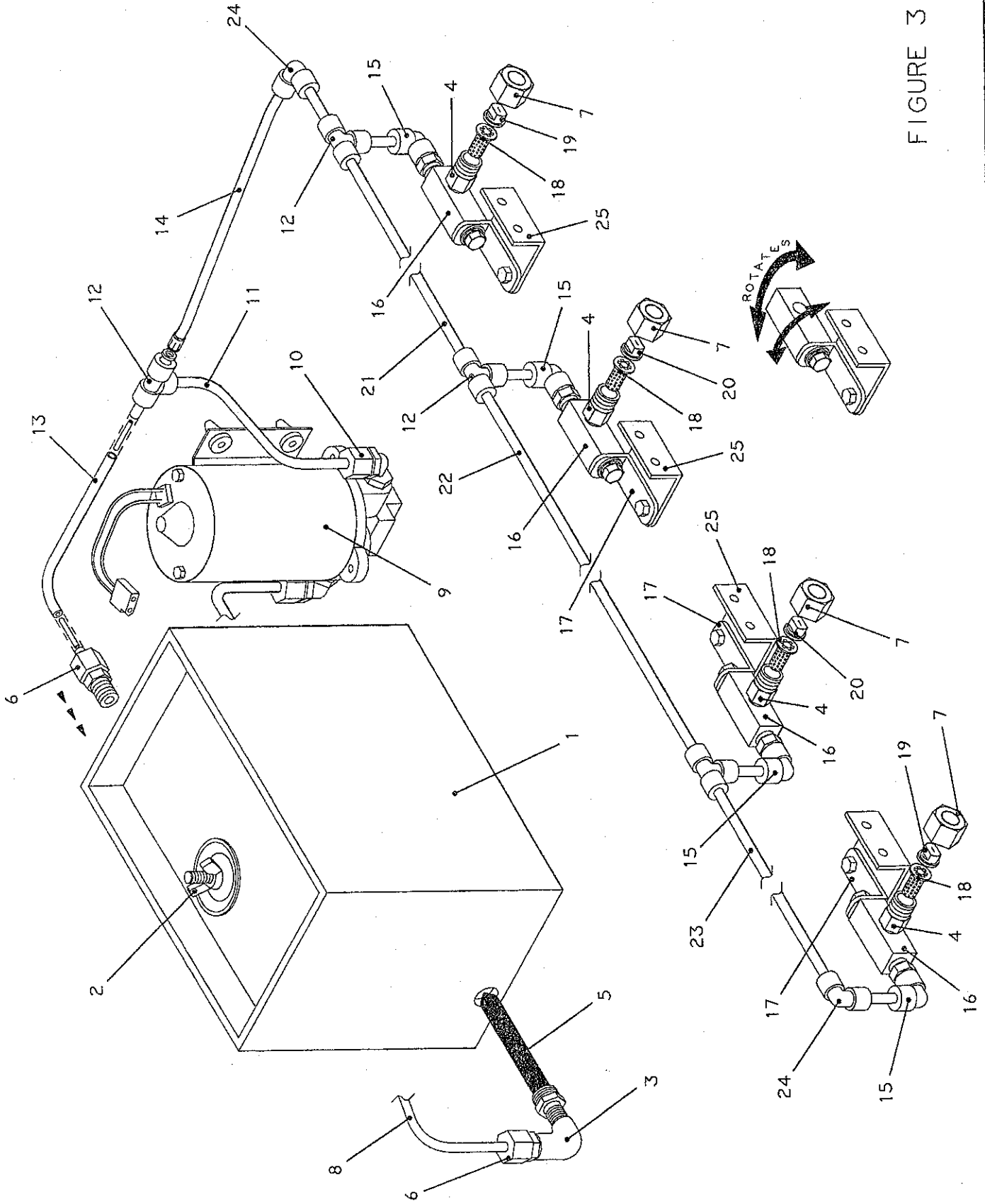


FIGURE 3

DBA PHOENIX Operating Manual
MECHANICAL DRAWINGS INDEX

FIGURE NUMBER	INDEX NUMBER	PART NUMBER	PART NAME & DESCRIPTION
3	1	153-6840A	SUPPLY TANK (1-1/2 GALLON) USES EXPANSION PLUG
3	2	153-0246A	EXPANDABLE PLUG FOR SUPPLY TANK
3	3	153-0216	ELBOW (1/4 - MPT X 1/4 - FPT)
3	4	153-0217	MALE BODY (1/4 - NYLON)
3	5	154-0212	TANK FILTER (5" SS)
3	6	153-0209	MALE CONNECTOR (1/4 X 1/4 - MPT)
3	7	153-0218	TIP RETAINER CAP CONNECTOR
3	8	153-0806A	SPRAY HOSE - SUPPLY TANK TO PUMP (23")
3	9	153-8206	WATER SPRAY PUMP ASSEMBLY - 110 VOLT
3	9	153-8806	WATER SPRAY PUMP ASSEMBLY - 220 VOLT
3	10	153-0212	MALE ELBOW (1/4 X 3/8 - MPT)
3	11	153-0807	SPRAY HOSE - PUMP TO TEE (7")
3	12	153-0815	UNION TEE (1/4 X 1/4 X 1/4 - QUICK DISCONNECT)
3	13	153-0809A	SPRAY PRESSURE REGULATOR HOSE - TEE TO TANK (8-1/2")
3	14	154-8225A	SPRAY HOSE - TEE TO LEFT OUTSIDE JET
3	15	153-0818	MALE SWIVEL ELBOW - 1/4 TUBE X 1/4 NPT
3	16	153-6252	SPRAY JET BODY
3	17	153-6251S	SPRAY JET SWIVEL MOUNTING ANGLE
3	18	153-0220	SCREEN CHECK VALVE (POLYPROPYLENE - 10#)
3	19	154-0007	SPRAY TIP - STAINLESS STEEL (1501)
3	20	153-0207A	SPRAY TIP - STAINLESS STEEL (11003)
3	21	154-8226	SPRAY HOSE - LEFT JET TO LEFT MIDDLE JET
3	22	154-8227	SPRAY HOSE - LEFT MIDDLE JET TO RIGHT MIDDLE JET
3	23	154-8228A	SPRAY HOSE - RIGHT MIDDLE JET TO RIGHT OUTSIDE JET
3	24	154-0243	UNION ELBOW (1/4 X 1/4 - QUICK DISCONNECT)
3	25	153-6251M	SPRAY JET WALL MOUNTING ANGLE

FIGURE 3

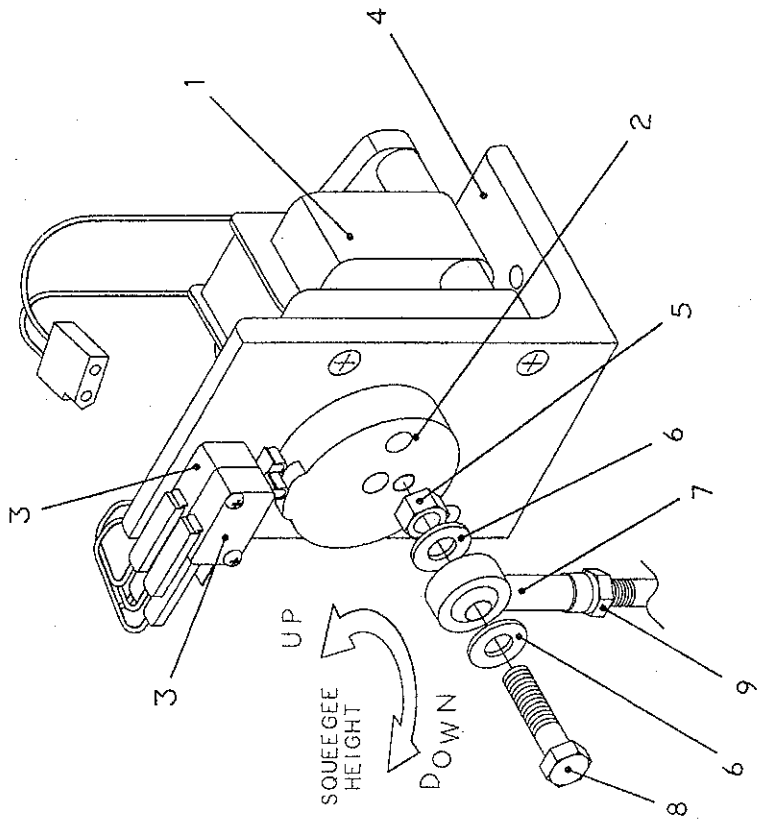


FIGURE 4

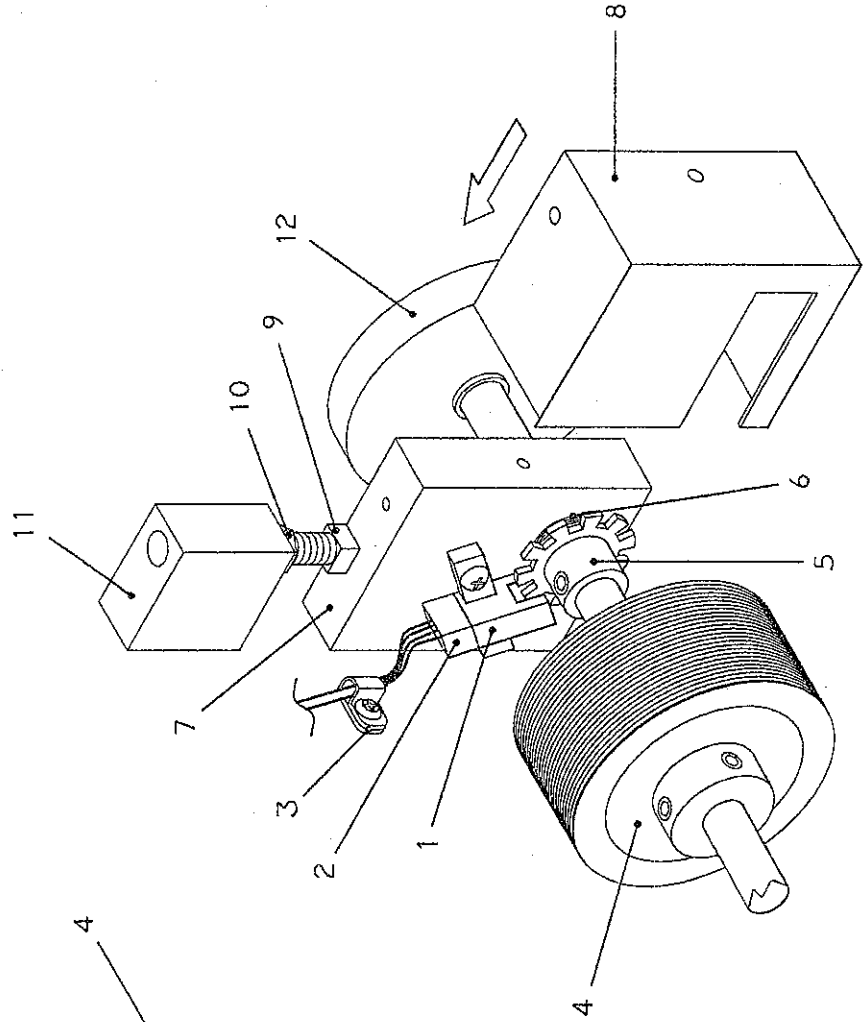


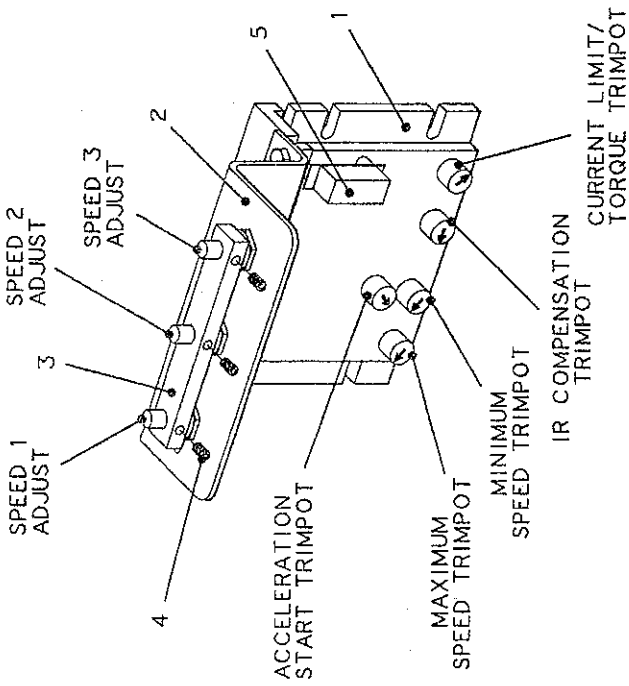
FIGURE 5

DBA PHOENIX Operating Manual
MECHANICAL DRAWINGS INDEX

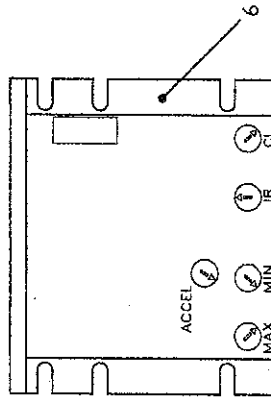
FIGURE NUMBER	INDEX NUMBER	PART NUMBER	PART NAME & DESCRIPTION
FIGURE 4 PART NUMBERS			
4	1	153-8207	CONE-BRAKE MOTOR ASSEMBLY (25 RPM-110 VOLT)
4	1	153-8807	CONE-BRAKE MOTOR ASSEMBLY (25 RPM-220 VOLT)
4	2	154-6243	MOTOR CAM - DUAL LOBES (3/8 & 5/8 OFFSET)
4	3	153-1203	MICROSWITCH - WITH ROLLER (SQUEEGEE & BRUSH)
4	4	153-6832B	MOUNTING ANGLE-25 RPM MOTOR (SQUEEGEE)
4	5	153-2027A	JAM NUT - 5/16-18
4	6	153-2005	FLAT WASHER - 5/16
4	7	153-0211	SQUEEGEE ROD END WITH FITTING (ON MOTOR)
4	8	153-2062	HHCS - 5/16-18 X 1-1/4
4	9	153-2214	JAM NUT - 5/16-24

FIGURE NUMBER	INDEX NUMBER	PART NUMBER	PART NAME & DESCRIPTION
FIGURE 5 PART NUMBERS			
5	1	153-1031A	PASS-THROUGH SENSOR
5	2	153-1031B	SENSOR PLUG & CABLE
5	3	153-1049D	WIRE HARNESS CLAMP - 1/8
5	4	153-7002AA	LANE DISTANCE COUNTER WHEEL-TREADED (2 INCH)
5	5	153-9110	COUNTER SPROCKET (10-TOOTH)
5	6	153-2010	NYLON FLAT WASHER (1/2 - 0.030)
5	7	153-8031	LANE DISTANCE COUNTER PILLOWBLOCK ASSEMBLY (RIGHT)
5	8	153-8049	LANE DISTANCE SENSOR GUARD ASSEMBLY
5	9	153-2047	SQUARE HEAD SET SCREW - 3/8 X 2
5	10	153-2027	JAM NUT - 3/8-16
5	11	153-6027	LANE DISTANCE ADJUSTMENT BLOCK
5	12	153-7401	UHMW KICK-UP WHEEL

FIGURE 6 (220V SETTINGS)



110 VOLT SPEED CONTROL SETTINGS



ACCEL TRIMPOT ADJUSTMENT
DO NOT ROTATE TRIMPOT INTO THE SHADED AREA

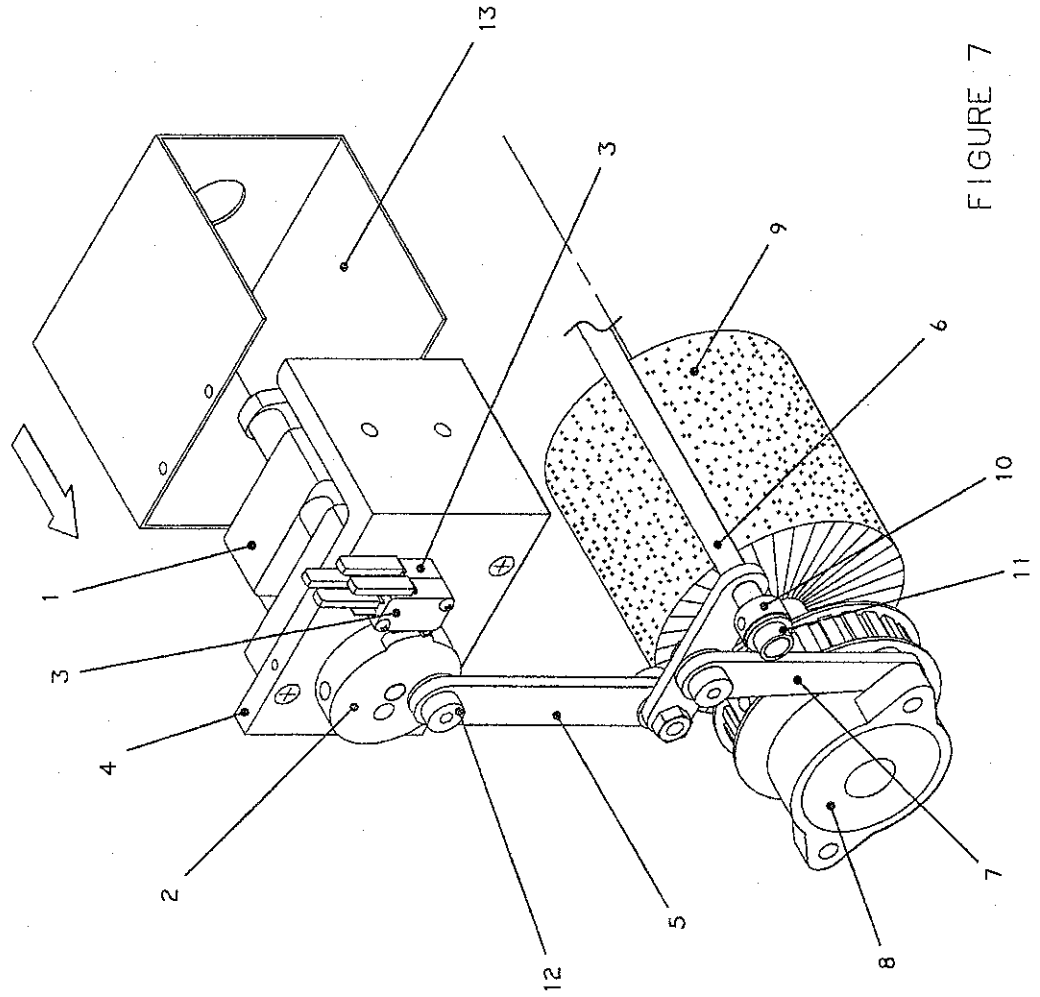
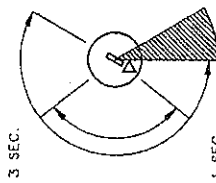


FIGURE 7

DBA PHOENIX Operating Manual
MECHANICAL DRAWINGS INDEX

FIGURE NUMBER	INDEX NUMBER	PART NUMBER	PART NAME & DESCRIPTION
FIGURE 6 PART NUMBERS			
TO ORDER A COMPLETE REPLACEMENT ASSEMBLY FOR THE SPEED CONTROL			
ORDER NUMBER 153-8822 (FOR 110 VOLT) OR 153-8823 (FOR 220 VOLT).			
6	1	153-1812	SPEED CONTROL FOR DC MOTOR (KBIC-240) FOR 220 VOLT
6	2	153-6812	POTENTIOMETER CONSOLE (PHOENIX)
6	3	153-8826	POTENTIOMETER LOCKING BAR ASSEMBLY (PHOENIX)
6	4	153-2049	SET SCREW - 8-32 X 3/16
6	5	153-1015	HORSEPOWER RESISTOR
6	6	153-1012	SPEED CONTROL FOR DC MOTOR (KBIC-120) FOR 110 VOLT

FIGURE NUMBER	INDEX NUMBER	PART NUMBER	PART NAME & DESCRIPTION
FIGURE 7 PART NUMBERS			
7	1	153-8207	CONE-BRAKE MOTOR ASSEMBLY (25 RPM-110 VOLT)
7	1	153-8807	CONE-BRAKE MOTOR ASSEMBLY (25 RPM-220 VOLT)
7	2	154-6243	MOTOR CAM - DUAL LOBES (3/8 & 5/8 OFFSET)
7	3	153-1203	MICROSWITCH - WITH ROLLER (SQUEEGEE & BRUSH)
7	4	154-6247	MOUNTING ANGLE-25 RPM MOTOR (BRUSH LIFT)
7	5	153-8818	CONNECTING LINK ASSEMBLY - MOTOR CAM/PIVOT ARM
7	6	153-6814	PIVOT SHAFT ASSEMBLY FOR LIFTING BRUSH
7	7	153-8819L	CONNECTING LINK ASSEMBLY - BEARING/PIVOT-LEFT
7	8	153-9816	3/4" FLANGED BEARING - 5/16-18 TAPPED
7	9	153-8407	BUFFER BRUSH ASSEMBLY (3-3/4" DIAMETER)
7	10	153-2804	COLLAR - 3/8 X 3/4 X 3/8
7	11	153-9803	FLANGED BUSHING (3/8 X 1/2 X 1/4)
7	12	153-2801	SHOULDER BOLT - 3/8 X 3/8 (5/16-18) BRUSH LIFT
7	13	153-6858	SHIELD FOR MOTOR (BRUSH LIFT)

FIGURE 8

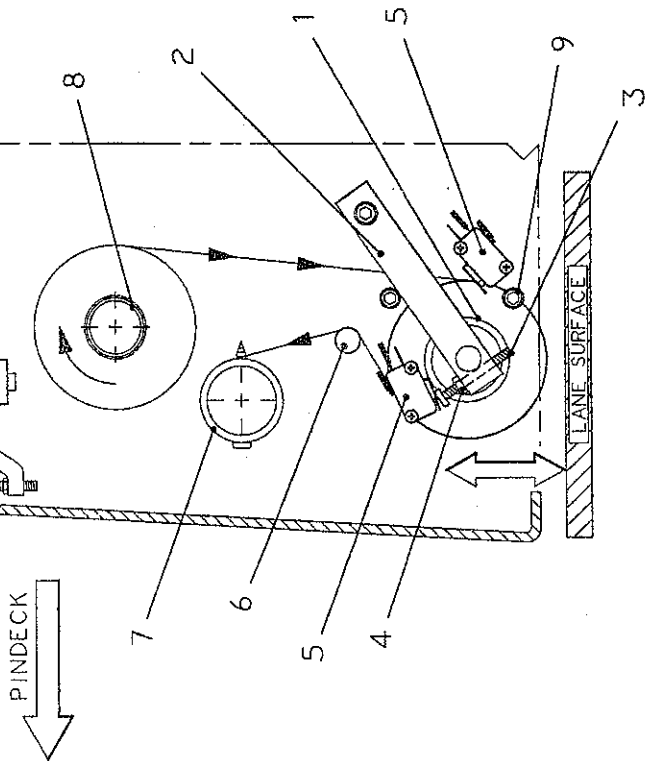
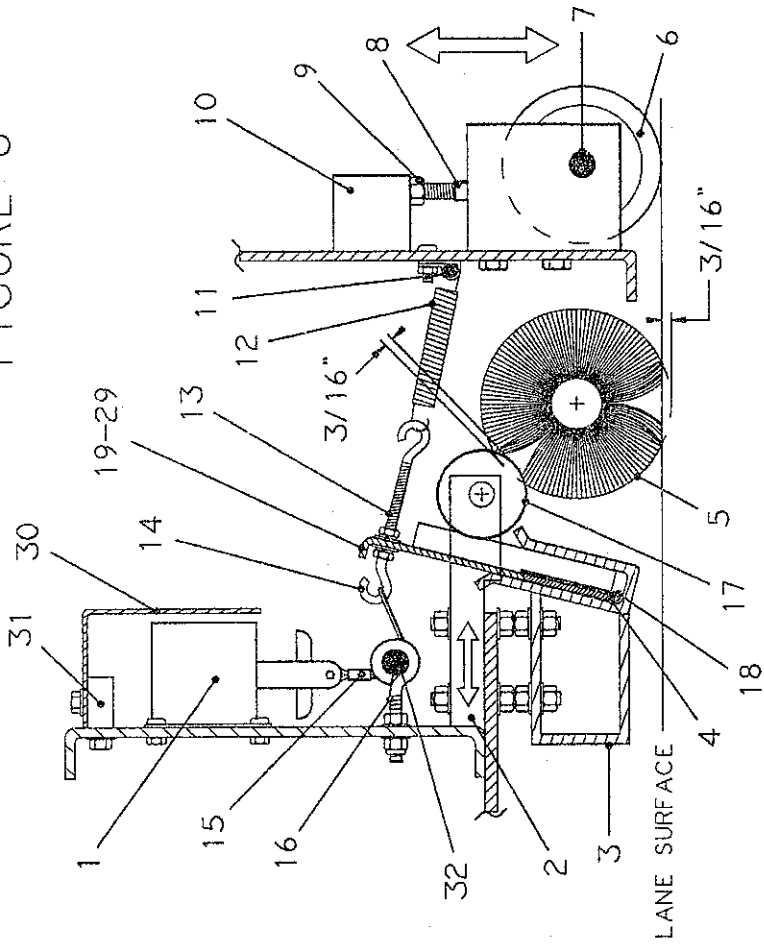


FIGURE 9

DBA PHOENIX Operating Manual
MECHANICAL DRAWINGS INDEX

FIGURE NUMBER	INDEX NUMBER	PART NUMBER	PART NAME & DESCRIPTION
FIGURE 8 PART NUMBERS			
8	1	153-1027	SOLENOID (110 VOLT)
8	1	153-1627	SOLENOID (220 VOLT)
8	2	153-8804	TRANSFER ROLLER ARM ASSEMBLY (PHOENIX-5")
8	3	153-8019	OIL TANK ASSEMBLY
8	4	153-0011	TANK PIVOT POINT SHIM (1/8" ALUMINUM)
8	5	153-8407	BUFFER BRUSH ASSEMBLY (3-3/4")
8	6	153-7002AA	LANE DISTANCE COUNTER WHEEL-TREADED (2 INCH)
8	7	153-6435	LANE DISTANCE COUNTER SHAFT
8	8	153-2047	SQUARE HEAD SET SCREW - 3/8 X 2
8	9	153-2027	JAM NUT - 3/8
8	10	153-6027	LANE DISTANCE ADJUSTMENT BLOCK
8	11	153-0444	WICK SPRING ROD (44-1/2")
8	12	153-2095	SPRING - 0.438 OD X 2.75 (0.037 WIRE-WICK)
8	13	153-2043	EYEBOLT - 10-24 X 4" OVERALL
8	14	153-2044	EYEBOLT - 10-24 X 2" OVERALL
8	15	153-8812A	SOLENOID CABLE ASSEMBLY (8.25")
8	16	153-2230	EYEBOLT - 1/4-20 X 2-1/2
8	17	153-8408	TRANSFER ROLLER ASSEMBLY (43-3/8" SHAFT)
8	18	153-0074	TANK PIVOT POINT SHIM (0.090 ALUMINUM)
8	19	153-8102	2" COMPLETE WICK PLATE ASSEMBLY
8	20	153-8103	3" COMPLETE WICK PLATE ASSEMBLY
8	21	153-8104	4" COMPLETE WICK PLATE ASSEMBLY
8	22	153-8105	5" COMPLETE WICK PLATE ASSEMBLY
8	23	153-8106	6" COMPLETE WICK PLATE ASSEMBLY
8	24	153-8107	7" COMPLETE WICK PLATE ASSEMBLY
8	25	153-8108	8" COMPLETE WICK PLATE ASSEMBLY
8	26	153-8109	9" COMPLETE WICK PLATE ASSEMBLY
8	27	153-8110	10" COMPLETE WICK PLATE ASSEMBLY
8	28	153-8111	11" COMPLETE WICK PLATE ASSEMBLY
8	29	153-8112	12" COMPLETE WICK PLATE ASSEMBLY
8	30	153-6855	SOLENOID GUARD
8	31	153-6848	MOUNTING BLOCK FOR SOLENOID GUARD
8	32	153-6852	SOLENOID CABLE GUIDE (1/2" DELRIN ROD)

FIGURE NUMBER	INDEX NUMBER	PART NUMBER	PART NAME & DESCRIPTION
FIGURE 9 PART NUMBERS			
9	1	153-8238	CUSHION ROLLER ASSEMBLY (DMR LINODUSTER = 44")
9	2	153-8420	CUSHION ROLLER PIVOT ARM ASSEMBLY
9	3	153-2090	MS PHILLIPS - 8-32 X 1-1/2
9	4	153-2414	HEX NUT - 8-32
9	5	153-1202	MICROSWITCH - WITHOUT ROLLER (DMR LINODUSTER)
9	6	153-6825	LINODUSTER CLOTH ROUTING BAR (SS)
9	7	153-8824	PVC TAKE-UP REEL ASSEMBLY (PHOENIX=44-5/8")
9	8	153-0429	DMR LINODUSTER TAKE-UP SUPPORT PIPE (40")
9	9	153-2412	SHCS - 1/4-20 X 1/2 (CUSHION ROLLER STOP)
9	10	153-2232A	LID LATCH - FLUSH MOUNT DUAL BUTTON (HEAVY DUTY)

FIGURE 10

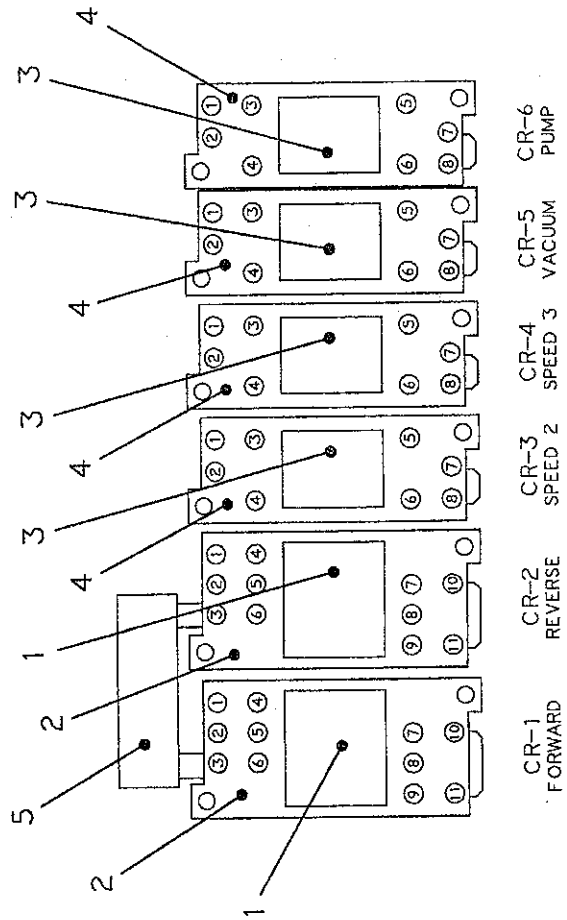
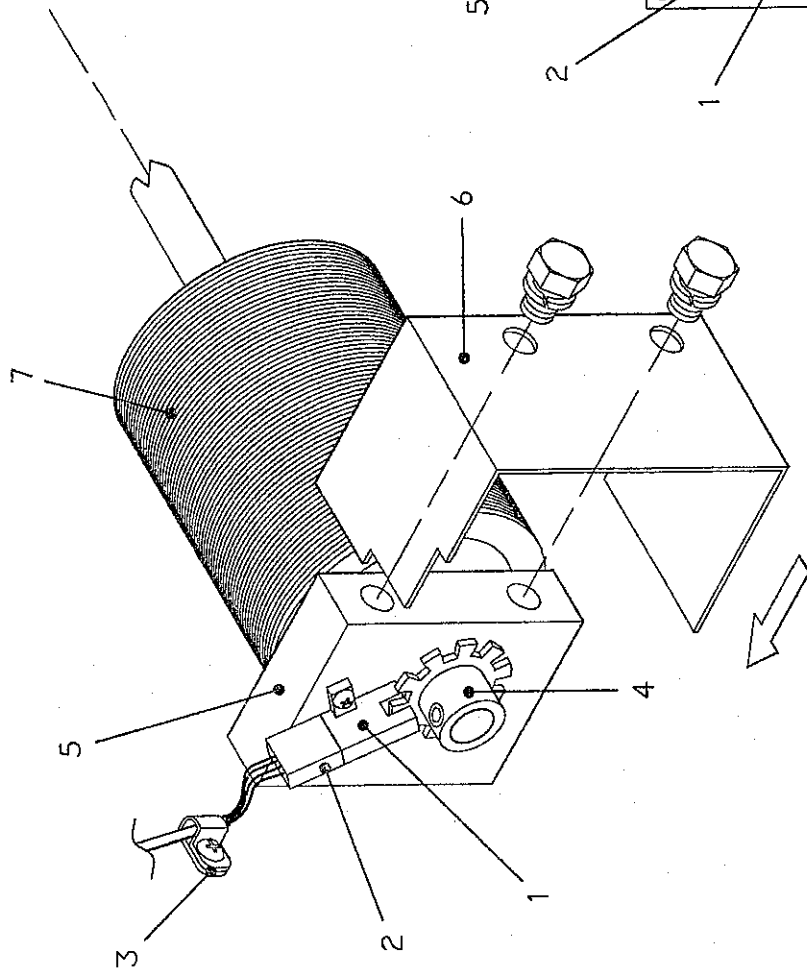


FIGURE 11

DBA PHOENIX Operating Manual
MECHANICAL DRAWINGS INDEX

FIGURE NUMBER	INDEX NUMBER	PART NUMBER	PART NAME & DESCRIPTION
FIGURE 10 PART NUMBERS			
10	1	153-1031A	PASS-THROUGH SENSOR
10	2	153-1031B	SENSOR PLUG & CABLE
10	3	153-1049D	WIRE HARNESS CLAMP - 1/8
10	4	153-9110	COUNTER SPROCKET (10-TOOTH)
10	5	153-8815	DRIVE SHAFT PILLOWBLOCK ASSEMBLY - TACHOMETER
10	6	153-6859	SENSOR GUARD FOR TACHOMETER
10	7	153-7013	URETHANE-BLEND LANE DRIVE WHEEL (FOUR-INCH TREADED)

FIGURE NUMBER	INDEX NUMBER	PART NUMBER	PART NAME & DESCRIPTION
FIGURE 11 PART NUMBERS			
11	1	153-1018	LY3 RELAY (110 VOLT)
11	1	153-1618	LY3 RELAY (220 VOLT)
11	2	153-1019	LY3 RELAY BASE
11	3	153-1016	LY2 RELAY (110 VOLT)
11	3	153-1616	LY2 RELAY (220 VOLT)
11	4	153-1017	LY2 RELAY BASE
11	5	153-1011	BRAKE RESISTOR

DBA PHOENIX Operating Manual
COMPLETE PARTS LIST

PART #	PART DESCRIPTION	UOM
153-0001	TRANSPORT CASTER (3" DUAL WHEEL)	EA
153-0005	WICK (45-INCH PIECE)	EA
153-0010B	CONTINUOUS LID HINGE (46-3/8")	EA
153-0011	TANK PIVOT POINT SHIM (1/8" ALUMINUM)	EA
153-0019	KEYBOARD BACK PLATE	EA
153-0019B	KEYBOARD VIBRATION DAMPENER (3")	EA
153-0033A	LID HINGE BRACKET MOUNT	EA
153-0036	LID VIBRATION STRIP (SOLD BY INCH)	IN
153-0037	DECAL (MADE IN USA)	EA
153-0037B	DECAL (1994 TEAM USA)	EA
153-0038B	DMR LINDUSTER HEAVY CUSHION WEIGHT (42-3/4")	EA
153-0038C	DMR LINDUSTER LIGHT CUSHION WEIGHT (42-3/4")	EA
153-0040A	1/4" SPACER (5/8" LONG - BUFFER BELT IDLER)	EA
153-0043	THICK FELT WASHER	EA
153-0046	SQUARE GROMMET (5")	EA
153-0052	OIL FUNNEL	EA
153-0074	TANK PIVOT POINT SHIM (0.090 ALUMINUM)	EA
153-0202A	COMPLETE SQUEEGEE ASSEMBLY (2PIECE BROWN)	EA
153-0204B	VACUUM MOTOR BRUSHES - 110 VOLT (SOLD AS PAIR)	PR
153-0204C	VACUUM MOTOR BRUSHES - 220 VOLT (SOLD AS PAIR)	PR
153-0207A	SPRAY TIP - STAINLESS STEEL (11003)	EA
153-0209	MALE CONNECTOR (1/4 X 1/4 - MPT)	EA
153-0211	SQUEEGEE ROD END WITH FITTING (ON MOTOR)	EA
153-0212	MALE ELBOW (1/4 X 3/8 - MPT)	EA
153-0216	ELBOW (1/4 - NPT X 1/4 - FPT)	EA
153-0217	MALE BODY (1/4 - NYLON)	EA
153-0218	TIP RETAINER CAP CONNECTOR	EA
153-0220	SCREEN CHECK VALVE (POLYPROPYLENE - 10#)	EA
153-0246A	EXPANDABLE PLUG FOR SUPPLY TANK (1-1/2")	EA
153-0252	SUPPLY TANK FUNNEL	EA
153-0429	DMR LINDUSTER ROLL SUPPORT PIPE (40")	EA
153-0444	WICK SPRING ROD (44-1/2")	EA
153-0801	KEYBOARD DECAL (PHOENIX)	EA
153-0802	LINDUSTER ROUTING DIAGRAM - PHOENIX	EA
153-0803	PHOENIX MACHINE DECAL	EA
153-0804	FLEXIBLE SUCTION HOSE - SQUEEGEE TO RECOVERY TANK (10")	EA
153-0805	FLEXIBLE SUCTION HOSE - RECOVERY TANK TO VACUUM (3")	EA
153-0806A	SPRAY HOSE - SUPPLY TANK TO PUMP (23")	EA
153-0807	SPRAY HOSE - PUMP TO TEE (7")	EA
153-0809A	SPRAY PRESSURE REGULATOR HOSE - TEE TO TANK (8-1/2")	EA
153-0810	SHIPPING BOX (40.25 X 14.5 X 5.8)	EA
153-0812	TRANSPORT CASTER - HEAVY DUTY (2" - DUAL WHEEL)	EA
153-0815	UNION TEE (1/4 X 1/4 X 1/4 - QUICK DISCONNECT)	EA

DBA PHOENIX Operating Manual
COMPLETE PARTS LIST

PART #	PART DESCRIPTION	UOM
153-0818	MALE SWIVEL ELBOW - 1/4 TUBE X 1/4 NPT	EA
153-0830	PROTECTIVE SLEEVE FOR ALL THREAD (5-1/2")	EA
153-0842	SERIAL NUMBER & ID PLATE - PHOENIX	EA
153-1001C	PC REPLACEMENT BATTERY (C200H-BAT09)	EA
153-1002PX	PROZ2 KEYBOARD (C200H WITH PHOENIX DECAL)	EA
153-1004	BUFFER MOTOR CONTACTOR (110 VOLT)	EA
153-1005	KEYBOARD CABLE (C200H)	EA
153-1011	BRAKE RESISTOR	EA
153-1012	SPEED CONTROL FOR DC MOTOR (KBIC-120)	EA
153-1013	POTENTIOMETER FOR SPEED CONTROL	EA
153-1015	HORSEPOWER RESISTOR	EA
153-1016	LY2 RELAY (110 VOLT)	EA
153-1017	LY2 RELAY BASE	EA
153-1018	LY3 RELAY (110 VOLT)	EA
153-1019	LY3 RELAY BASE	EA
153-1020	RELAY CLAMPS	PR
153-1021	TERMINAL BLOCK	EA
153-1022	TERMINAL BLOCK END FOOT	EA
153-1023	JUMPER (USED ON TERMINAL BLOCK)	EA
153-1025	MALE PLUG - 125V/15A	EA
153-1027	SOLENOID (110 VOLT)	EA
153-1029	FUSE (4 AMP)	EA
153-1030	CIRCUIT BREAKER (10 AMP)	EA
153-1031A	PASS-THROUGH SENSOR	EA
153-1031B	SENSOR PLUG & CABLE	EA
153-1032	PC OUTPUT RELAY	EA
153-1034	FEMALE QUICK DISCONNECT-3/16 (18 AWG)	EA
153-1034A	FEMALE QUICK DISCONNECT-3/16 (14 AWG)	EA
153-1036B	RING TERMINAL - 16-14 AWG (#8 STUD)	EA
153-1037	WIRE JOINT - 18 AWG (LARGE)	EA
153-1038	WIRE JOINT (SMALL)	EA
153-1041	PIN & SOCKET CONNECTOR 2 CIRCUIT FREE RECEPTACLE	EA
153-1042	PIN & SOCKET CONNECTOR 2 CIRCUIT PANEL PLUG (MALE PINS)	EA
153-1043	PIN & SOCKET CONNECTOR 3 CIRCUIT PANEL PLUG (MALE PINS)	EA
153-1044	PIN & SOCKET CONNECTOR 3 CIRCUIT FREE RECEPTACLE	EA
153-1045	PIN FOR FEMALE SOCKET	EA
153-1046	PIN FOR MALE SOCKET	EA
153-1047	WIRE TIE (4")	EA
153-1048	WIRE TIE (21")	EA
153-1049A	WIRE HARNESS CLAMP - 1/4	EA
153-1049B	WIRE HARNESS CLAMP - 1/2	EA
153-1049D	WIRE HARNESS CLAMP - 1/8	EA
153-1052	OIL REFILL TUBING (12-1/4")	EA

DBA PHOENIX Operating Manual
COMPLETE PARTS LIST

PART #	PART DESCRIPTION	UOM
153-1052C	OIL REFILL TUBING (VENT = 36")	EA
153-1053	TANK VENT FITTING (BRASS)	EA
153-1054	OIL VENT HOSE PLUG (GRAY PLASTIC)	EA
153-1055	TUBE HOSE STEM (GRAY PLASTIC)	EA
153-1057H	DAYTON DC MOTOR BRUSHES	PR
153-1202	MICROSWITCH - WITHOUT ROLLER (DMR LINODUSTER)	EA
153-1203	MICROSWITCH - WITH ROLLER (SQUEEGEE & BRUSH)	EA
153-1205	RIGHT ANGLE FEMALE QUICK DISCONNECT-1/4 (18-14AWG)	EA
153-1206	RIGHT ANGLE FEMALE QUICK DISCONNECT-1/4 (16-12 AWG)	EA
153-1209	BUTTON GUARD	EA
153-1214	IN-LINE FUSE HOLDER	EA
153-1408	PUSH BUTTON (RED = NORMALLY OPEN)	EA
153-1602	PIN & SOCKET CONNECTOR 12 CIRCUIT PANEL RECEPTACLE	EA
153-1603	PIN & SOCKET CONNECTOR 12 CIRCUIT FREE PLUG (MALE PINS)	EA
153-1604	BUFFER MOTOR CONTACTOR (220 VOLT)	EA
153-1616	LY2 RELAY (220 VOLT)	EA
153-1618	LY3 RELAY (220 VOLT)	EA
153-1625	MALE PLUG - 250V/15A	EA
153-1627	SOLENOID (220 VOLT)	EA
153-1801	C200HS MICROPROCESSOR	EA
153-1810	CIRCUIT BREAKER (8-AMP)	EA
153-1811	PC MOUNTING RACK (C200H 3-SLOT)	EA
153-1812	SPEED CONTROL FOR DC MOTOR (KBIC-240)	EA
153-1814	OUTPUT MODULE - OC221	EA
153-1815	OUTPUT MODULE - OC222	EA
153-1816	INPUT MODULE - ID212	EA
153-1817	CIRCUIT BREAKER (15-AMP)	EA
153-1818	WIRE TIE - 34" (C200HS PC)	EA
153-1822	FEMALE TWISTLOCK - 125V/29A	EA
153-1823	FLANGED TWISTLOCK INLET - 125V/29A	EA
153-1824	FEMALE TWISTLOCK - 250V/20A	EA
153-1826	FLANGED TWISTLOCK INLET - 250V/20A	EA
153-1827	FUSE (6 AMP)	EA
153-2001	FLAT WASHER - #6	EA
153-2002	FLAT WASHER - #8	EA
153-2003	FLAT WASHER - #10	EA
153-2004	FLAT WASHER - 1/4	EA
153-2005	FLAT WASHER - 5/16	EA
153-2006	FLAT WASHER - 3/8	EA
153-2007	FLAT WASHER - 1/2	EA
153-2009	NYLON FLAT WASHER (3/8 - 0.030)	EA
153-2010	NYLON FLAT WASHER (1/2 - 0.030)	EA
153-2013	LOCK WASHER - #10	EA

DBA PHOENIX Operating Manual
COMPLETE PARTS LIST

PART #	PART DESCRIPTION	UOM
153-2014	LOCK WASHER - 1/4	EA
153-2015	LOCK WASHER - 5/16	EA
153-2016	LOCK WASHER - 3/8	EA
153-2017	LOCK WASHER - 1/2	EA
153-2019	LOCKNUT - 8-32 (NYLOK)	EA
153-2020	LOCKNUT - 1/4-20 (NYLOK)	EA
153-2020A	LOCKNUT - 1/4-20 (STOVER)	EA
153-2021A	LOCKNUT - 3/8-16 (STOVER)	EA
153-2022	HEX NUT - 3/16 (10-24)	EA
153-2023	HEX NUT - 1/4-20	EA
153-2024	HEX NUT - 5/16-18	EA
153-2025	HEX NUT - 3/8-16	EA
153-2026	HEX NUT - 1/2-13	EA
153-2027	JAM NUT - 3/8-16	EA
153-2027A	JAM NUT - 5/16-18	EA
153-2029	ACORN NUT - 1/4-20	EA
153-2032A	TANK PLUG - HEX SOCKET (1/4" PIPE THREAD)	EA
153-2034	ALUMINUM RIVET (0.187 X 0.450 X 0.375)	EA
153-2035	BLIND RIVET WASHER	EA
153-2036	SNAP RING - 5/8	EA
153-2037	ROLL PIN - 1/8 X 1-3/4	EA
153-2038	ROLL PIN - 1/8 X 1	EA
153-2040	SPOOL GROMMET - 1/2	EA
153-2043	EYEBOLT - 10-24 X 4" OVERALL	EA
153-2044	EYEBOLT - 10-24 X 2" OVERALL	EA
153-2045	STEEL COLLAR - 5/8 X 1-1/8 X 1/2	EA
153-2046	SPRING CLIP (OIL HOSE CLIP)	EA
153-2047	SQUARE HEAD SET SCREW - 3/8 X 2	EA
153-2049	SET SCREW - 8-32 X 3/16	EA
153-2050	SET SCREW - 1/4-28 X 3/8	EA
153-2051	SET SCREW - 1/4-20 X 1/2	EA
153-2051A	SET SCREW - 1/4-20 X 1/4	EA
153-2052	HHCS - 1/4-20 X 7/8	EA
153-2052A	BHSS - 1/4-20 X 7/8	EA
153-2053	HHCS - 1/4-20 X 1	EA
153-2055	HHCS - 1/4-20 X 1-1/2	EA
153-2061	HHCS - 5/16-18 X 1	EA
153-2062	HHCS - 5/16-18 X 1-1/4	EA
153-2065B	ALL THREAD - 5/16-18 X 3 (TANK MOUNT)	EA
153-2067	HHCS - 3/8-16 X 1-1/4	EA
153-2068	HHCS - 3/8-16 X 1-1/2	EA
153-2071	HHCS - 3/8-16 X 3	EA
153-2072	HHCS - 3/8-16 X 3-1/2	EA

DBA PHOENIX Operating Manual
COMPLETE PARTS LIST

PART #	PART DESCRIPTION	UOM
153-2073A	HHCS - 1/2-13 X 1-1/2	EA
153-2075	CARRIAGE BOLT - 1/4-20 X 2-1/2	EA
153-2078	FHMS - 1/4-20 X 3/4	EA
153-2080	METRIC PAN HEAD SCREW - M3 X 8 (PROCT MOUNT)	EA
153-2081	MS PHILLIPS - 6-32 X 1/2	EA
153-2086	MS PHILLIPS - 8-32 X 5/8	EA
153-2086A	MS PHILLIPS - 8-32 X 3/8	EA
153-2087	MS PHILLIPS - 8-32 X 3/4	EA
153-2088	MS PHILLIPS - 8-32 X 3/4 (SELF)	EA
153-2089	MS PHILLIPS - 8-32 X 1	EA
153-2090	MS PHILLIPS - 8-32 X 1-1/2	EA
153-2091	MS PHILLIPS - 10-32 X 3/4	EA
153-2093	SPRING - 0.42 OD X 0.75 (PROCESSOR)	EA
153-2095	SPRING - 0.438 OD X 2.75 (0.037 WIRE-WICK)	EA
153-2100	KEYSTOCK - 3/16 X 3/4	EA
153-2108	DOME RIVET - 1/8 FOR NAMEPLATE	EA
153-2109	PLAIN PLASTIC SPACER (FOR SOLENOID CABLE)	EA
153-2113	MS PHILLIPS - 8-32 X 3/8 (SELF TAP)	EA
153-2207	MS PHILLIPS - 10-24 X 1-1/4	EA
153-2208	LOCKNUT - 10-24 (NYLON)	EA
153-2214	JAM NUT - 5/16-24	EA
153-2216A	MS PHILLIPS - 4-40 X 7/8	EA
153-2217	HHCS - 3/8-16 X 3-1/4	EA
153-2219	MS PHILLIPS - 10 X 2 (SELF TAP)	EA
153-2226	FELT STRIP FOR ROD END	EA
153-2230	EYEBOLT - 1/4-20 X 2-1/2	EA
153-2231	LOCKNUT - 4-40 (NYLON)	EA
153-2232A	LID LATCH - FLUSH MOUNT DUAL BUTTON (HEAVY DUTY)	EA
153-2233	HHCS - 1/4-20 X 3-1/4 (FULL THREAD)	EA
153-2235	HHCS - 1/4-20 X 3-1/4	EA
153-2401	SPRING - 0.54 OD X 0.75 (GUIDE ROLLER)	EA
153-2402	SPOOL GROMMET - 3/8	EA
153-2403	COUNTERSUNK LOCK WASHER - 1/4	EA
153-2405A	3/8-16 X 2-3/4 STEEL STUD	EA
153-2406	HOSE CLAMP (1/2")	EA
153-2407	SHOULDER BOLT - 3/8 X 1-3/4 (5/16-18) GUIDE ROLLER	EA
153-2408	SHOULDER BOLT - 5/16 X 1/2 (1/4-20) CUSHION PIVOT	EA
153-2409	SHOULDER BOLT - 1/4 X 3/8 (10-24) CUSHION ROD	EA
153-2412	SHCS - 1/4-20 X 1/2 (CUSHION ROLLER STOP)	EA
153-2413	SNAP RING - 1/2	EA
153-2414	HEX NUT - 8-32	EA
153-2417	GROMMET - 15/16" OD	EA
153-2505	MS PHILLIPS - 4-40 X 1	EA

DBA PHOENIX Operating Manual
COMPLETE PARTS LIST

PART #	PART DESCRIPTION	UOM
153-2516	MS PHILLIPS - 4-40 X 1-1/2	EA
153-2525	HHCS - 3/8-16 X 1/2 (TACH COVER MOUNT)	EA
153-2602	HHCS - 5/16-18 X 3/4	EA
153-2604	MS FLAT PHILLIPS - 10-32 X 1/2	EA
153-2601	SHOULDER BOLT - 3/8 X 3/8 (5/16-18) BRUSH LIFT	EA
153-2602	FHSS - 5/16-18 X 5/8	EA
153-2604	COLLAR - 3/8 X 3/4 X 3/8	EA
153-2805	FHSS - 3/8-16 X 1-1/4	EA
153-2806	FLAT HEAD PHILLIPS - 8-32 X 5/8	EA
153-2807	SHOULDER BOLT - 5/16 X 2 (1/4-20) LINDUSTER PLUG	EA
153-2807A	SHOULDER BOLT - 5/16 X 2 (1/4-20) WITHOUT HEAD	EA
153-2808	SPRING - 0.42 OD X 1.25 (LINDUSTER)	EA
153-2813	MS FLAT PHILLIPS - 10-32 X 3/4	EA
153-2814	FHMS - 3/8-16 X 3-1/8	EA
153-2815	HHCS - 3/8-16 X 2-1/4 (GRADE 8)	EA
153-2816	MS PHILLIPS - 8-32 X 2 (SS)	EA
153-2818	HHCS - 3/8-16 X 2-1/2 (GRADE 8)	EA
153-2819	SET SCREW - 5/16-18 X 3/8	EA
153-2821	SUPPLY TANK MOUNTING ROD (7-1/2" ALL-THREAD)	EA
153-2823	FINISH PLUG - 5/8" BLACK	EA
153-6006	MOMENTARY LANE ROLLER SHAFT	EA
153-6027	LANE DISTANCE ADJUSTMENT BLOCK	EA
153-6029	MOMENTARY WHEEL HOUSING	EA
153-6048A	MACHINE HANDLE TRIM (1")	EA
153-6223	SQUEEGEE HOSE ADAPTER	EA
153-6243A	SQUEEGEE MOUNTING ANGLE (PHOENIX)	EA
153-6249	EXTERNAL CORD HOLDER EXTENSION ARM	EA
153-6251M	SPRAY JET WALL MOUNTING ANGLE	EA
153-6251S	SPRAY JET SWIVEL MOUNTING ANGLE	EA
153-6252	SPRAY JET BODY	EA
153-6254	SQUEEGEE ARM SHAFT	EA
153-6412	LINDUSTER MOTOR SHIELD (FOR 7 RPM)	EA
153-6412C	COVER FOR LINDUSTER MOTOR SHIELD	EA
153-6417	GUIDE ROLLER MOUNTING BAR (ALUMINUM)	EA
153-6422	CUSHION ROLLER SHAFT (45-7/8")	EA
153-6435	LANE DISTANCE COUNTER SHAFT (FOR KICK-UP WHEEL)	EA
153-6437	PUSH BUTTON MOUNTING PLATE	EA
153-6801S	FLOOR PLATE (PHOENIX & PK-S)	EA
153-6802S	LEFT SIDE PLATE (PX8-997 AND AFTER)	EA
153-6803S	RIGHT SIDE PLATE (PX8-997 AND AFTER)	EA
153-6804	FRONT WALL (PHOENIX)	EA
153-6805	TANK & VACUUM WALL (PHOENIX)	EA
153-6806	SOLENOID WALL (PHOENIX)	EA

PART #	PART DESCRIPTION	UOM
153-6807	REAR WALL (PHOENIX)	EA
153-6810B	VACUUM MOTOR ADAPTER (BENT FLANGES)	EA
153-6811A	C200HS PC PLATE	EA
153-6812	POTENTIOMETER CONSOLE (PHOENIX)	EA
153-6813	KEYBOARD MOUNTING PLATE (PHOENIX)	EA
153-6814	PIVOT SHAFT ASSEMBLY FOR LIFTING BRUSH	EA
153-6820A	MAIN DRIVE SHAFT (PHOENIX)	EA
153-6825	LINODUSTER CLOTH ROUTING BAR (SS)	EA
153-6826	THREADED MOUNTING BAR - SOLENOID	EA
153-6827	MOUNTING ANGLE - SIDE PLATE/FLOOR	EA
153-6830	MOUNTING ANGLE - C200H KEYBOARD (4")	EA
153-6831	MOUNTING ANGLE - C200H KEYBOARD (2-3/8")	EA
153-6832B	MOUNTING ANGLE-25 RPM MOTOR (SQUEEGEE)	EA
153-6834	CORD HOLDER MOUNT	EA
153-6835	MOUNTING ANGLE-TERMINAL BLOCK & CIRCUIT BREAKER	EA
153-6837	MOUNTING ANGLE - UHMW FLOOR SKID	EA
153-6838	UHMW FLOOR SKID	EA
153-6840A	SUPPLY TANK (1-1/2 GALLON CAPACITY) FOR EXPANSION PLUG	EA
153-6841	RECOVERY TANK (3-1/2 GALLON CAPACITY)	EA
153-6842	SQUEEGEE ROD END (5/16-18 X 4-5/8)	EA
153-6847	MOUNTING BAR FOR SUPPLY TANK	EA
153-6848	MOUNTING BLOCK FOR SOLENOID GUARD	EA
153-6849	MOUNTING ANGLE - TRANSFER ROLLER MOTOR	EA
153-6850	UHMW LINODUSTER PLUG FOR CARDBOARD CORE	EA
153-6851	UHMW HANDLE SPACER	EA
153-6852	SOLENOID CABLE GUIDE (1/2" DELRIN ROD)	EA
153-6853	UHMW LINODUSTER PLUG FOR PVC TAKE-UP REEL	EA
153-6854	UHMW RETAINER FOR RECOVERY TANK	EA
153-6855	SOLENOID GUARD	EA
153-6856	RELAY MOUNTING PLATE	EA
153-6857	HANDLE LOCKING LINK	EA
153-6858	SHIELD FOR MOTOR (BRUSH LIFT)	EA
153-6859	SENSOR GUARD FOR TACHOMETER	EA
153-7002AA	LANE DISTANCE COUNTER WHEEL-TREADED (2 INCH)	EA
153-7013	URETHANE-BLEND LANE DRIVE WHEEL (FOUR-INCH TREADED)	EA
153-7401	UHMW KICK-UP WHEEL	EA
153-8016A	BUFFER MOTOR ASSEMBLY (60 Hz - 10LO50)	EA
153-8019	OIL TANK ASSEMBLY	EA
153-8031	LANE DISTANCE COUNTER PILLBLOWBLOCK ASSEMBLY (RIGHT)	EA
153-8033	LANE DISTANCE COUNTER PILLBLOWBLOCK ASSEMBLY (LEFT)	EA
153-8039	BUFFER BELT IDLER ASSEMBLY	EA
153-8049	LANE DISTANCE SENSOR GUARD ASSEMBLY	EA
153-8065	DRIVE MOTOR ASSEMBLY (DAYTON 130VDC/165 RPM)	EA

PART #	PART DESCRIPTION	UOM
153-8102	2" COMPLETE WICK PLATE ASSEMBLY	EA
153-8103	3" COMPLETE WICK PLATE ASSEMBLY	EA
153-8104	4" COMPLETE WICK PLATE ASSEMBLY	EA
153-8105	5" COMPLETE WICK PLATE ASSEMBLY	EA
153-8106	6" COMPLETE WICK PLATE ASSEMBLY	EA
153-8107	7" COMPLETE WICK PLATE ASSEMBLY	EA
153-8108	8" COMPLETE WICK PLATE ASSEMBLY	EA
153-8109	9" COMPLETE WICK PLATE ASSEMBLY	EA
153-8110	10" COMPLETE WICK PLATE ASSEMBLY	EA
153-8111	11" COMPLETE WICK PLATE ASSEMBLY	EA
153-8112	12" COMPLETE WICK PLATE ASSEMBLY	EA
153-8201B	DMR LINODUSTER DRIVE HUB ASSEMBLY (1/4-28 SET)	EA
153-8202B	DMR LINODUSTER SOLID HUB ASSEMBLY (PVC-1/4-28 SET)	EA
153-8205	VACUUM MOTOR ASSEMBLY - 110 VOLT/104 CFM	EA
153-8206	WATER SPRAY PUMP ASSEMBLY - 110 VOLT	EA
153-8207	BRAKE MOTOR ASSEMBLY (25 RPM-110 VOLT)	EA
153-8238	CUSHION ROLLER ASSEMBLY (DMR LINODUSTER = 44")	EA
153-8311	MOMENTARY WHEEL ASSEMBLY (URETHANE)	EA
153-8403	COIL-BRAKE MOTOR ASSEMBLY (7 RPM-110 VOLT)	EA
153-8407	BUFFER BRUSH ASSEMBLY (3-3/4" DIAMETER)	EA
153-8408	TRANSFER ROLLER ASSEMBLY (43-3/8" SHAFT)	EA
153-8410	LANE EDGE GUIDE ROLLER ASSEMBLY (1/2" BORE)	EA
153-8420	CUSHION ROLLER PIVOT ARM ASSEMBLY	EA
153-8421	LANE DISTANCE PILLBLOWBLOCK ASSEMBLY (CENTER)	EA
153-8424B	BUTTON ASSEMBLY WITH SOLDERED WIRE LEADS	EA
153-8425	UHMW DRIVE MOTOR CHAIN TENSIONER (1-1/2 X 4)	EA
153-8616	BUFFER MOTOR ASSEMBLY (50 Hz - 12LO50)	EA
153-8801	BLOWER MOTOR ASSEMBLY - 110V/140 CFM	EA
153-8802	BLOWER MOTOR ASSEMBLY - 220V/140 CFM	EA
153-8803	COIL-BRAKE MOTOR ASSEMBLY (7 RPM-220 VOLT)	EA
153-8804	TRANSFER ROLLER ARM ASSEMBLY (PHOENIX-5")	EA
153-8805	VACUUM MOTOR ASSEMBLY - 220 VOLT/96 CFM	EA
153-8806	WATER SPRAY PUMP ASSEMBLY - 220 VOLT	EA
153-8807	BRAKE MOTOR ASSEMBLY (25 RPM-220 VOLT)	EA
153-8808	SQUEEGEE PIVOT ARM ASSEMBLY - PHOENIX LEFT SIDE	EA
153-8809	SQUEEGEE PIVOT ARM ASSEMBLY - PHOENIX RIGHT SIDE	EA
153-8812A	SOLENOID CABLE ASSEMBLY (8.25")	EA
153-8813	DRIVE SHAFT PILLBLOWBLOCK ASSEMBLY - PLAIN BUSHING	EA
153-8814	DRIVE SHAFT PILLBLOWBLOCK ASSEMBLY - FLANGED BUSHING	EA
153-8815	DRIVE SHAFT PILLBLOWBLOCK ASSEMBLY - TACHOMETER	EA
153-8817	BLACK TRIM FOR DRIVE MOTOR (14")	EA
153-8818	CONNECTING LINK ASSEMBLY - MOTOR CAMPIVOT ARM	EA
153-8819L	CONNECTING LINK ASSEMBLY - BEARINGS/PIVOT-LEFT	EA

DBA PHOENIX Operating Manual
COMPLETE PARTS LIST

PART #	PART DESCRIPTION	UOM
153-8819R	CONNECTING LINK ASSEMBLY - BEARING/PIVOT-RIGHT	EA
153-8820A	SQUEEGEE MICROSWITCH WIRE HARNESS (PX8-1080 & AFTER)	EA
153-8822	SPEED CONTROL ASSEMBLY - PHOENIX 110 VOLT	EA
153-8823	SPEED CONTROL ASSEMBLY - PHOENIX 220 VOLT	EA
153-8824	PVC TAKE-UP REEL ASSEMBLY (PHOENIX-44-88 ⁹)	EA
153-8825A	COMPLETE LID ASSEMBLY (PX8-997 AND AFTER)	EA
153-8826	POTENTIOMETER LOCKING BAR ASSEMBLY (PHOENIX)	EA
153-8827	MACHINED PVC ELBOW FOR RECOVERY TANK (58 ⁹)	EA
153-8827T	PVC ELBOW FOR RECOVERY TANK (NO THREADS)	EA
153-8828	TRANSFER MOTOR ASSEMBLY (60 RPM-110 VOLT)	EA
153-8829	TRANSFER MOTOR ASSEMBLY (60 RPM-220 VOLT)	EA
153-8834	SQUEEGEE BLADE REPLACEMENT KIT (BROWN-42 ⁹)	EA
153-9003	SPROCKET - 40B10 (5/8" BORE)	EA
153-9010	SPROCKET - 25B15 (TRANSFER DRIVE-3/8 ⁹)	EA
153-9013	BUFFER MOTOR PULLEY (10L050-1/2 ⁹)	EA
153-9015	T-BELT 322L050 (BUFFER MOTOR)	EA
153-9023	FLANGED BUSHING (1/2 X 3/4 X 3/4)	EA
153-9024A	PLAIN BUSHING (5/8 X 7/8 X 3/4)	EA
153-9025	FLANGED BUSHING (3/8 X 7/8 X 1)	EA
153-9034	PLAIN BUSHING (3/8 X 1/2 X 1/4)	EA
153-9035	PLAIN BUSHING (3/8 X 1/2 X 3/4)	EA
153-9037	PLAIN BUSHING (1/2 X 3/4 X 3/4)	EA
153-9045	25 MASTER LINK	EA
153-9047	40 MASTER LINK	EA
153-9048	40 OFFSET LINK	EA
153-9049	TRANSFER ROLLER PLUG (1.660 X 0.140 X 0.375)	EA
153-9050	CUSHION ROLLER PLUG (1.660 X 0.140 X 0.375)	EA
153-9110	COUNTER SPROCKET (10-TOOTH)	EA
153-9402	FLANGED BUSHING (3/8 X 1/2 X 1/2)	EA
153-9404	PLAIN BUSHING (3/8 X 1/2 X 1)	EA
153-9409	FLANGED BUSHING (1/4 X 3/8 X 1/4)	EA
153-9613	BUFFER MOTOR PULLEY (12L050-1/2 ⁹)	EA
153-9801	SPROCKET - 40B14 (3/4" BORE)	EA
153-9803	FLANGED BUSHING (3/8 X 1/2 X 1/4)	EA
153-9804	DRIVE CHAIN - PHOENIX (40P35) FOR 110 VOLT	EA
153-9805	SPROCKET - 40B18 (3/4" BORE)	EA
153-9806	TRANSFER ROLLER DRIVE CHAIN (25P59)	EA
153-9807	BEARING FOR MOTOR SHAFT (0.312 X 0.866 X 0.274)	EA
153-9814	DRIVE CHAIN - PHOENIX (40P33) FOR 220 VOLT	EA
153-9816	3/4" FLANGED BEARING - 5/16-18 TAPPED	EA
154-0007	SPRAY TIP - STAINLESS STEEL (1501)	EA
154-0212	TANK FILTER (5" SS)	EA
154-0242	VELCRO STRAP FOR CORD (5")	EA

DBA PHOENIX Operating Manual
COMPLETE PARTS LIST

PART #	PART DESCRIPTION	UOM
154-0242A	VELCRO FOR HANDLE (5" WITH ADHESIVE)	EA
154-0243	UNION ELBOW (1/4 X 1/4 - QUICK DISCONNECT)	EA
154-0260	FLEXIBLE VACUUM HOSE STOCK (1-1/2" ID)	IN
154-6221	MOUNTING ANGLE - HEAVY DUTY CASTER (3 X 3,625)	EA
154-6243	MOTOR CAM-DUAL LOBES (3/8 & 5/8 OFFSET-STACKED SWITCHES)	EA
154-6247	MOUNTING ANGLE-25 RPM MOTOR (BRUSH LIFT)	EA
154-8209A	CABLE ASSEMBLY WITH KILL PLUG (POWER CORD)	EA
154-8225A	SPRAY HOSE - TEE TO LEFT OUTSIDE JET (#1) 5.375"	EA
154-8226	SPRAY HOSE - LEFT JET TO LEFT MIDDLE JET (#2) 9.25"	EA
154-8227	SPRAY HOSE - LEFT MIDDLE JET TO RIGHT MIDDLE JET (#3) 22.875"	EA
154-8228A	SPRAY HOSE - RIGHT MIDDLE JET TO RIGHT OUTSIDE JET (#4) 9"	EA
154-8229A	POWER CORD ASSEMBLY - 125 FEET (110V/12 AWG)	EA
154-8230	POWER CORD ASSEMBLY - 125 FEET (220V/12 AWG)	EA
154-8249	EXTENSION HANDLE ASSEMBLY (30")	EA